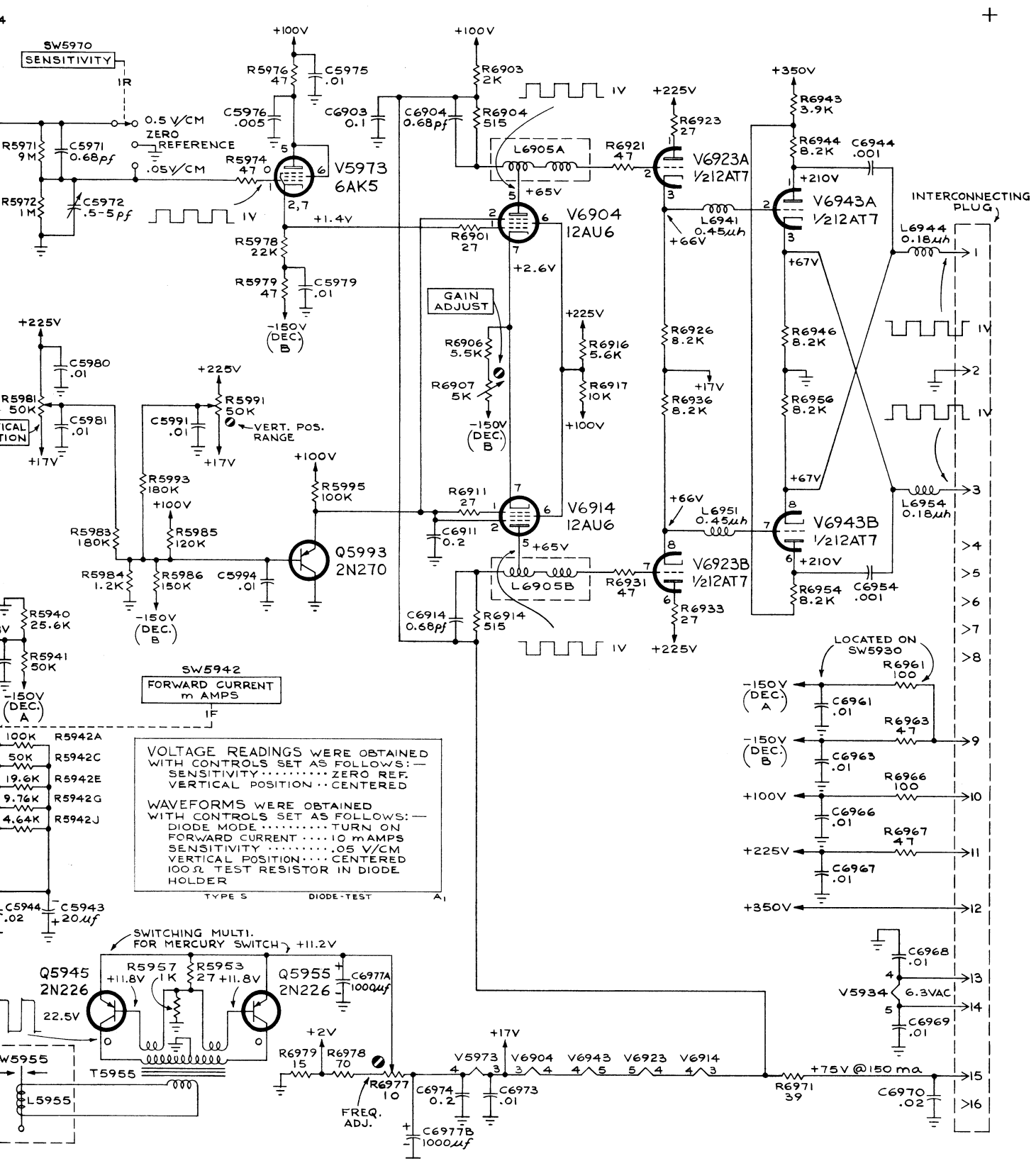


+ TYPE S PLUG-IN UNIT



VOLTAGE READINGS WERE OBTAINED WITH CONTROLS SET AS FOLLOWS:-  
 SENSITIVITY.....ZERO REF.  
 VERTICAL POSITION...CENTERED

WAVEFORMS WERE OBTAINED WITH CONTROLS SET AS FOLLOWS:-  
 DIODE MODE.....TURN ON  
 FORWARD CURRENT...10 mAMPS  
 SENSITIVITY......05 V/CM  
 VERTICAL POSITION...CENTERED  
 100Ω TEST RESISTOR IN DIODE HOLDER

TYPE S DIODE-TEST A1

MRH  
 3-17-60  
**DIODE-TEST**  
 TYPE S DIODE-TEST

# TYPE S MOD. 3245

EFFECTIVE SN 380

## CAPACITORS

C6975	Add	Ceramic	Discap	.1 $\mu$ fd	100 v	283-012
-------	-----	---------	--------	-------------	-------	---------

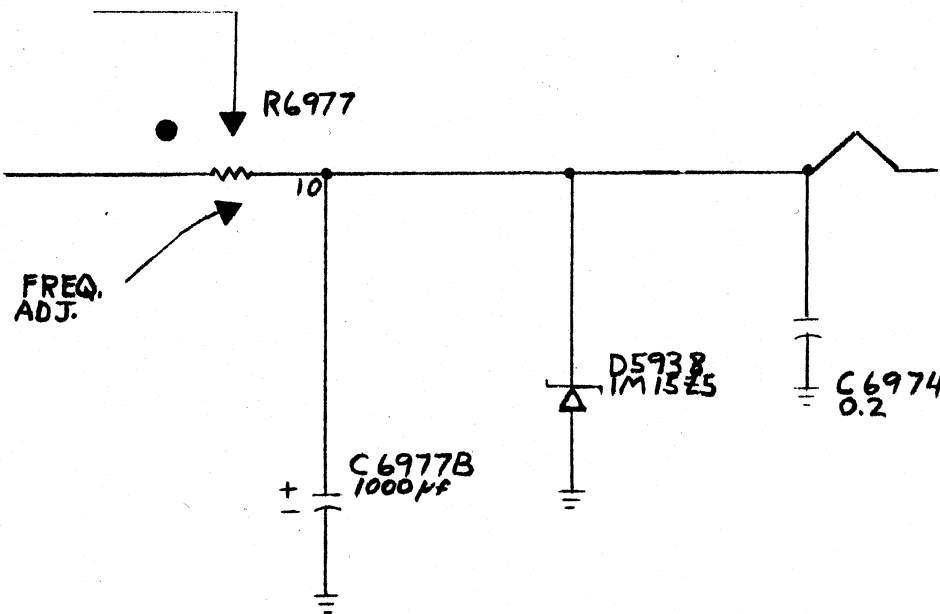
## DIODES

D5938	Change to Zener Diode, 1M15Z5		1 w	15 v	5%	152-024
-------	-------------------------------	--	-----	------	----	---------

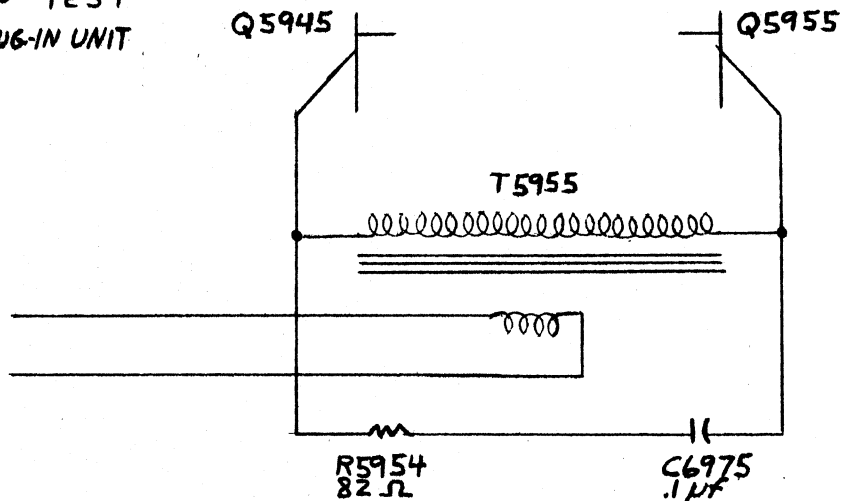
## RESISTORS

R5954	Change to	Comp.	1/2 w	10%	82 $\Omega$	302-820
-------	-----------	-------	-------	-----	-------------	---------

R5993	Change to	Comp.	1/2 w	10%	100 k	302-104
-------	-----------	-------	-------	-----	-------	---------



DIODE - TEST  
TYPE S PLUG-IN UNIT



DIODE TEST  
TYPE S PLUG-IN UNIT