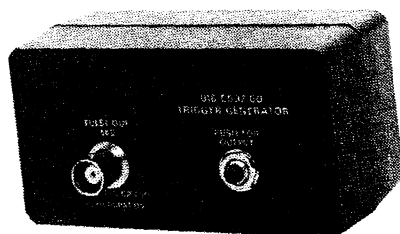


**TRIGGER GENERATOR  
(Part No. 016-0597-00)**



DESCRIPTION

The 016-0597-00 is a self-contained, battery-operated device. Each manual operation of its push-button switch causes the internal circuitry to generate a single output pulse. The generator is insensitive to contact bounce, but will generate pulses as rapidly as the operator can manually cycle the push-button.

The output pulse is nominally two milliseconds in width and three volts in amplitude, with a rapid rise and fall. Output impedance is low, 50 Ohm and the pulse amplitude drops from about 3.8 to 1.5 volts when changed from a high impedance to a 50 Ohm termination. (Fresh battery.) Output voltage deteriorates with battery discharge.

The intended application of the 016-0597-00 is to manually trigger single cycles of electronic instruments which have triggered operation and external trigger inputs. Most oscilloscope sweeps have such inputs, as do many pulse or signal generators. In the Tektronix TM 500 series, instruments such as the PG 501, PG 505 and RG 501 may be manually triggered with the 016-0597-00. However, its pulse characteristics are compatible with many types of instrumentation.

CALIBRATION/MAINTENANCE

The 016-0597-00 is not intended to be a calibrated device. A substantial decrease in output amplitude indicates a need for battery replacement. Occasional inspection of the interior is recommended to avoid possible damage from battery leakage, as indicated by any unusual film, liquid or apparent corrosion. In any case, it is recommended that the battery be replaced at least once annually, and that the interior be cleaned at that time.

**DATA SHEET**

NO. 062-1681-00  
DATE April 1974

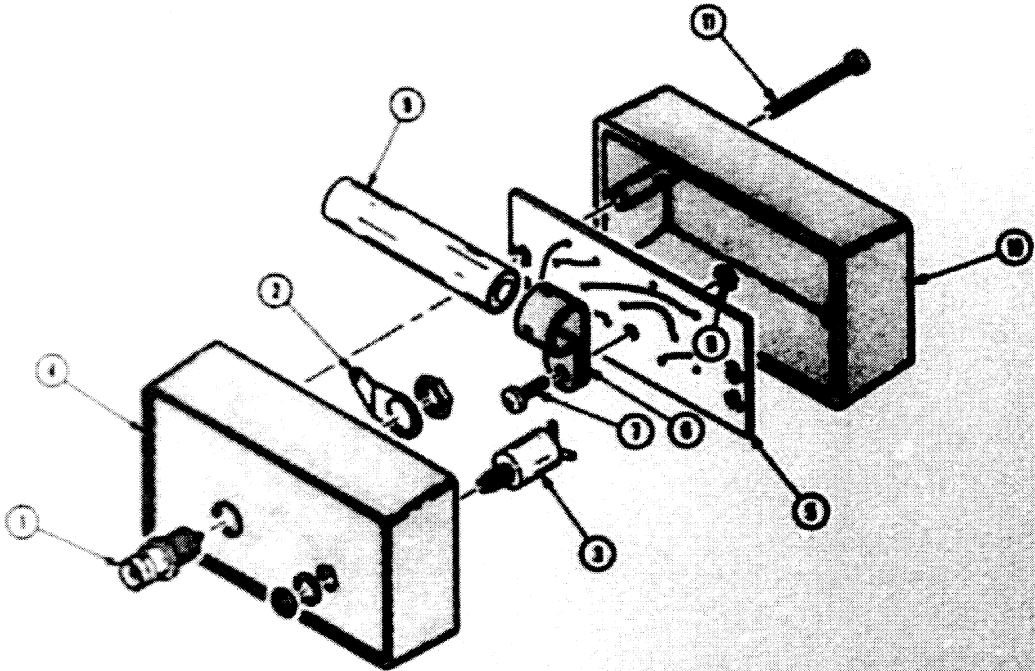
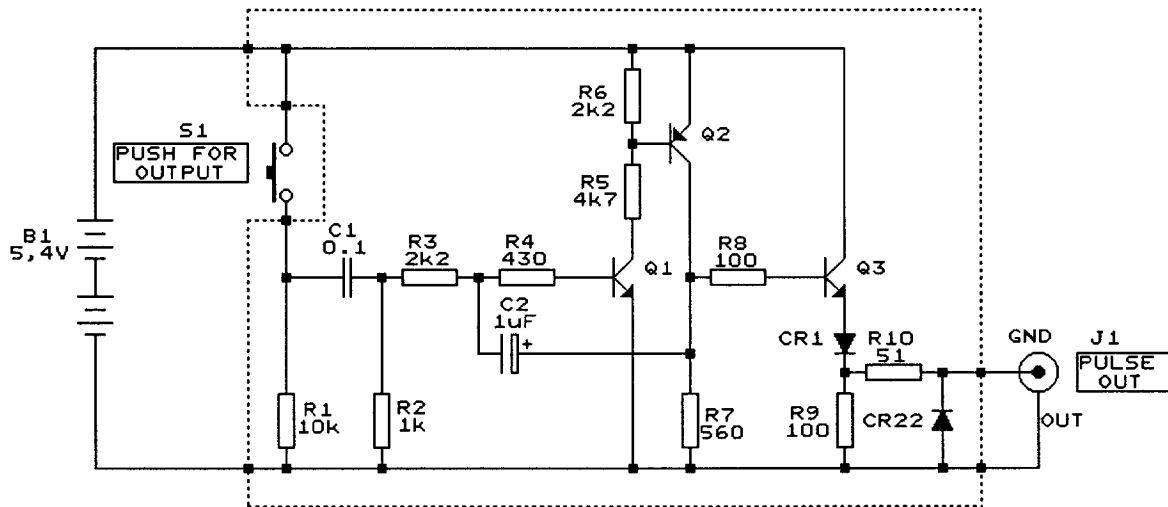


Fig. & Index No.	Tektronix Part No.	Serial/Model No.		Q t y	Description
		Eff	Disc		
-1	131-0106-02			1	CONNECTOR, receptacle, BNC, w/hardware (ATTACHING PARTS)
-2	210-0255-00			1	TERMINAL, lug, solder type -----*-----
-3	260-0324-00			1	SWITCH, push button
-4	380-0430-01			1	HOUSING HALF, front
-5	-----1			1	CKT BOARD ASSY:GEN LOCK
-6	343-0007-00			1	CLAMP, CABLE, 0.625 inch (ATTACHING PARTS)
-7	211-0510-00			1	SCREW, 6-32 x 0.375 inch, PHS
-8	210-0407-00			1	NUT, plain, hex., 6-32 x 0.250 inch -----*-----
-9	146-0029-00			1	BATTERY, 5.4 volt
-10	380-0430-02			1	HOUSING HALF, rear -----*-----
-11	211-0628-00			2	SCREW, machine, 6-32 x 1.125 inch, PHS

---1 See EPL For Replacement Parts



### ELECTRICAL PARTS LIST

Ckt No.	Tektronix Part No.	Serial/Model No. Eff Dscont	Name & Description	Mfr Code	Mfr Part Number
..	670-3647-00		CRT BOARD ASSY:GEN LOCK	80009	670-3647-00
C1	283-0024-00		CAP.,FXD,CER DI:0.1uF,+80-20%,30V	56289	273C16
C2	290-0522-00		CAP.,FXD,ELCTLT:1uF,20%,50V	56289	196D105X..
CR1	152-0141-02		SEMICONV DEVICE SILIC.,30V,150mA	07910	1N4152
CR22	152-0066-00		SEMICONV DEVICE SILIC.,400V,750mA	02735	37304
Q1	151-0341-00		TRANSISTOR:SILICON, NPN	07263	2N3565
Q2	151-0342-00		TRANSISTOR:SILICON, PNP	07263	2N4249
Q3	151-0190-00		TRANS.:SIL., NPN,SEL FROM MPS6521	80009	151-0190-00
R1	315-0103-00		RES.,FXD,COMP:10k 5%,0.25W	01121	CB1035
R2	315-0102-00		RES.,FXD,COMP:1k OHM 5%,0.25W	01121	CB1025
R3	315-0222-00		RES.,FXD,COMP:2k2 OHM 5%,0.25W	01121	CB2225
R4	315-0431-00		RES.,FXD,COMP:430 OHM 5%,0.25W	01121	CB4315
R5	315-0472-00		RES.,FXD,COMP:4k7 OHM 5%,0.25W	01121	CB4725
R6	315-0222-00		RES.,FXD,COMP:2k2 OHM 5%,0.25W	01121	CB2225
R7	315-0561-00		RES.,FXD,COMP:560 OHM 5%,0.25W	01121	CB5615
R8	315-0101-00		RES.,FXD,COMP:100 OHM 5%,0.25W	01121	CB1015
R9	315-0101-00		RES.,FXD,COMP:100 OHM 5%,0.25W	01121	CB1015
R10	315-0510-00		RES.,FXD,COMP:51 OHM 5%,0.25W	01121	CB5105

(A copy from microfiches)