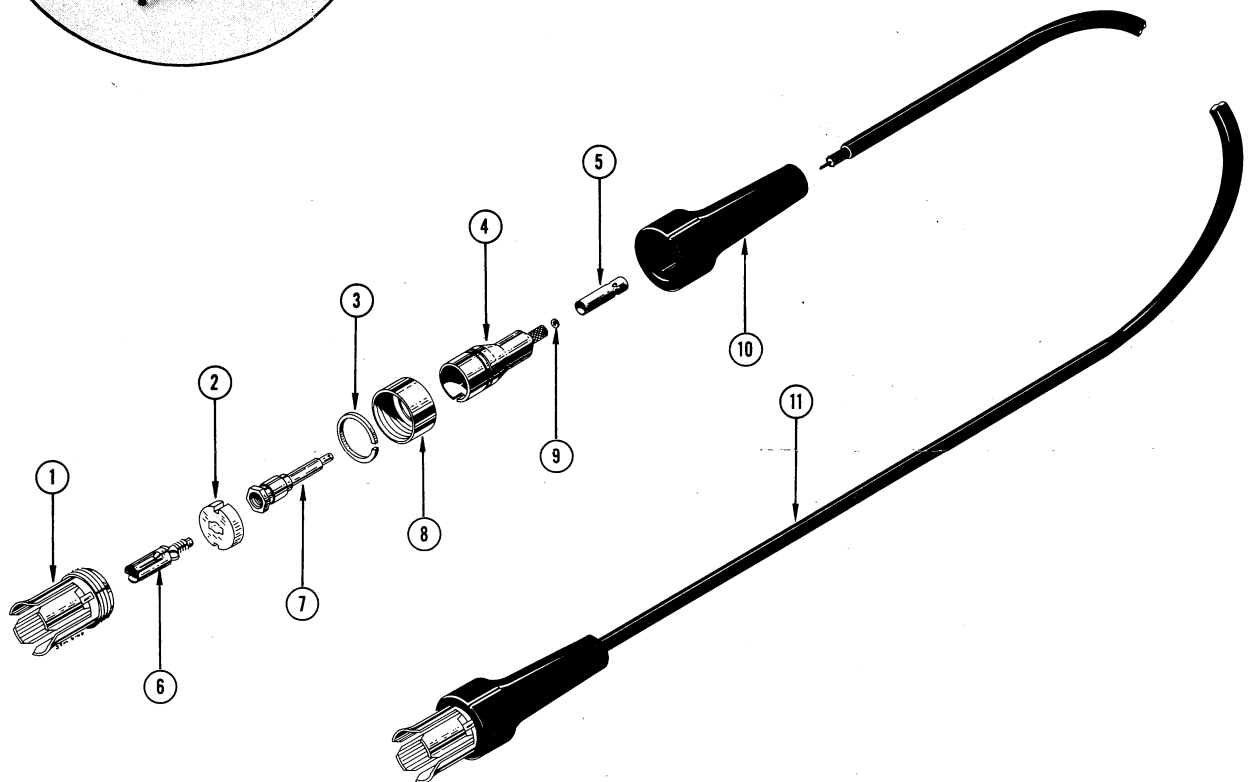
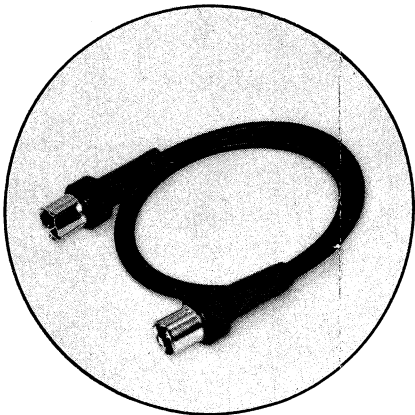


50 OHM 5 Nsec CABLE (Part No. 017-0512-00)



REF. NO.	PART NO.	SERIAL/MODEL NO.		QTY.	DESCRIPTION
		EFF.	DISC.		
1	132-0002-00			2	SLEEVE, conductor, outer
2	132-0028-00			2	INSULATOR
3	132-0007-00			2	SNAP RING
4	132-0115-00			2	OUTER TRANSITION
5	132-0117-00			2	FERRULE
6	132-0029-00			2	INNER CONDUCTOR
7	132-0116-00			2	INNER TRANSITION
8	132-0001-00			2	NUT, coupling
9	132-0119-00			2	DISC
10	132-0043-00			2	GUARD, cord
11	175-0300-00			FT	CABLE, coax., 3.146 feet

PUBLICATION NO.
062-0167-00
June 1965
(Revised)



©, 1964, Tektronix, Inc.,
All rights reserved.