

**IMPORTANT:**

ALL CIRCUIT VOLTAGES WERE OBTAINED WITH A 50,000Ω/V VOM. ALL READINGS ARE IN VOLTS.

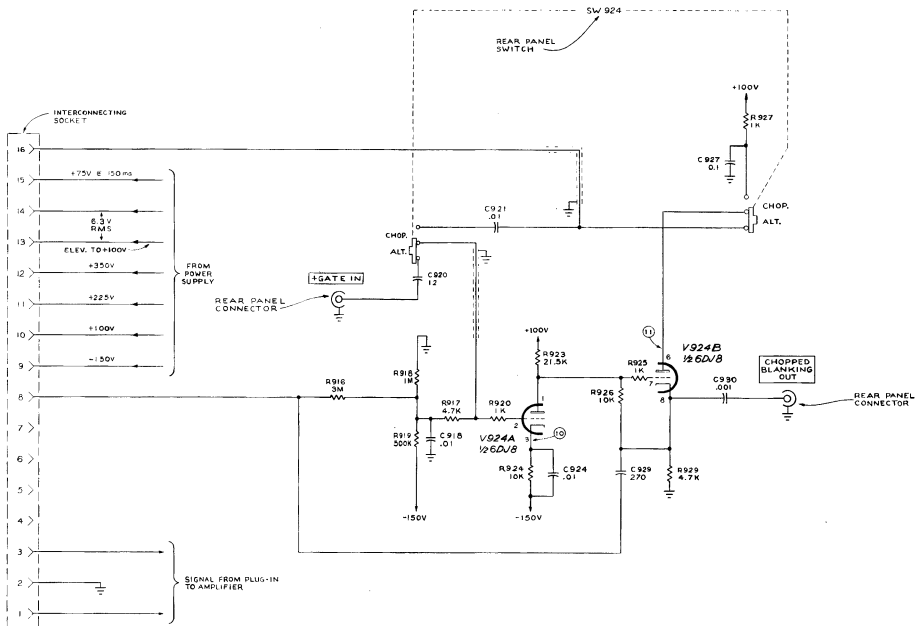
VOLTAGE & WAVEFORM AMPLITUDE MEASUREMENTS ARE NOT ABSOLUTE. THEY MAY VARY BETWEEN INSTRUMENTS AS WELL AS WITHIN THE INSTRUMENT ITSELF DUE TO NORMAL MANUFACTURING TOLERANCES, TRANSISTOR, AND VACUUM TUBE CHARACTERISTICS.

VOLTAGE READINGS TAKEN UNDER THE FOLLOWING CONDITIONS:  
 LINE VOLTAGE.....117 VAC  
 PLUG-IN UNIT.....TYPE CA  
 PLUG-IN POSITION CONTROL.....CW  
 FOR UPPER READINGS.....CCW  
 FOR LOWER READINGS.....CCW  
 PLUG-IN INV.-NORM. SWITCH.....NORM.  
 1B3 INV.-NORM. SWITCH.....NORM.

SEE PARTS LIST FOR EXACTER VALUES AND 5/8" CHANGES OF PARTS MARKED WITH BLUE OUTLINE

ALTERNATE TRACE  
SYNC PULSE TO  
SWITCHING CIRCUIT  
IN MULTI-TRACE  
PLUG-IN UNIT

TO GROUND POINT  
IN MULTI-TRACE  
PLUG-IN UNIT  
(ALT-TRACE MODE ONLY)



JN  
10 10-61

PLUG-IN CONNECTOR  
& MULTI-TRACE SYNC

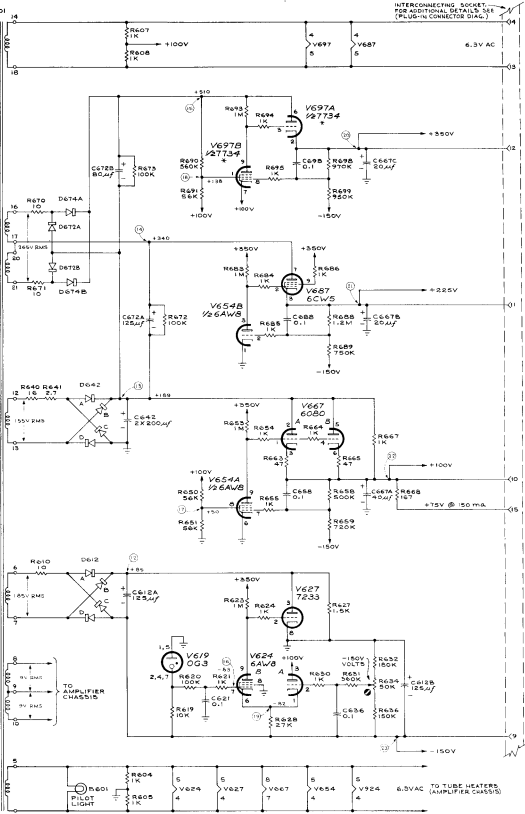
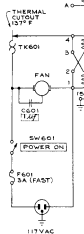
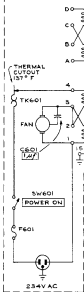
CIRCUIT NUMBERS  
916 THRU 929

TYPE 133

A<sub>1</sub>

+

PRIMARYS  
CONNECTED  
FOR 234V  
OPERATION



INTERCONNECTING SOCKET  
FOR ADDITIONAL DETAILS SEE  
(PLUG-IN CONNECTOR DIAG.)

\*606B MAY BE  
SUBSTITUTED  
FOR 7754

VOLTAGE READINGS TAKEN  
UNDER THE FOLLOWING CONDITIONS:  
LINE VOLTAGE: ..... 117V AC  
PLUG-IN UNIT: ..... TYPE CA  
INPUT SIGNAL: ..... NONE  
ALSO SEE NOTE ON AMPLIFIER DIAG.

SEE PARTS LIST FOR EXACT  
VALUES AND SVA SYMBOLS OF  
PARTS MARKED WITH BLUE  
OUTLINE

MR4  
86-4

TYPE 12B

POWER SUPPLY

CIRCUIT NUMBERS  
601 THRU 699

## PARTS LIST CORRECTION

## REMOVE:

C918	283-0002-00	0.01 $\mu$ F	500 V	
R917	302-0472-00	4.7 k $\Omega$	1/2 W	10%

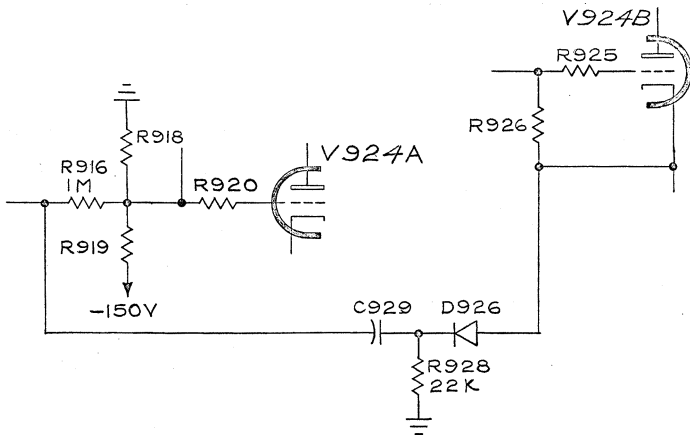
## ADD:

D926	152-0185-00		Diode, 6185	
R928	302-0223-00	22 k $\Omega$	1/2 W	10%

## CHANGE TO:

C920	281-0542-00	18 pF	500 V	10%
R916	301-0105-00	1 M $\Omega$	1/2 W	5%

## SCHEMATIC CORRECTION



PART MULTI - TRACE SYNC

TYPE 133 -- TENT. S/N 610

PARTS LIST CORRECTION

CHANGE TO:

Q474	151-137	2N2148	,
Q483	151-137	2N2148	