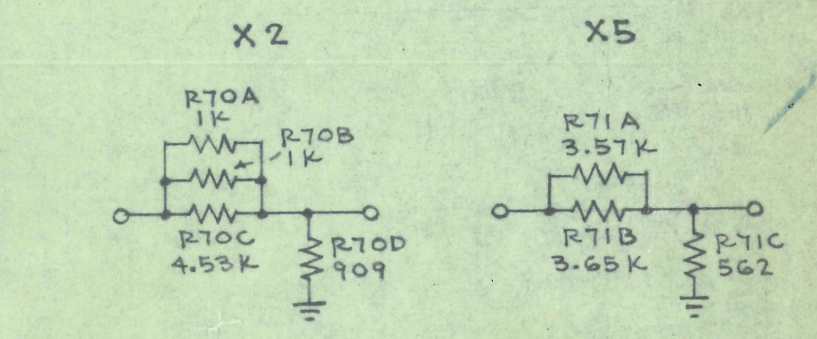
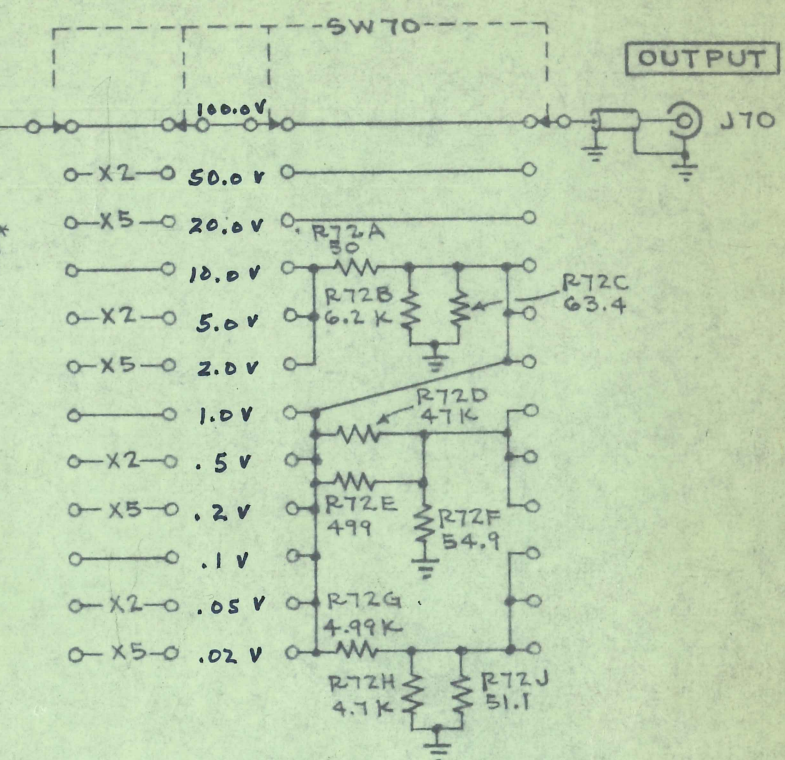
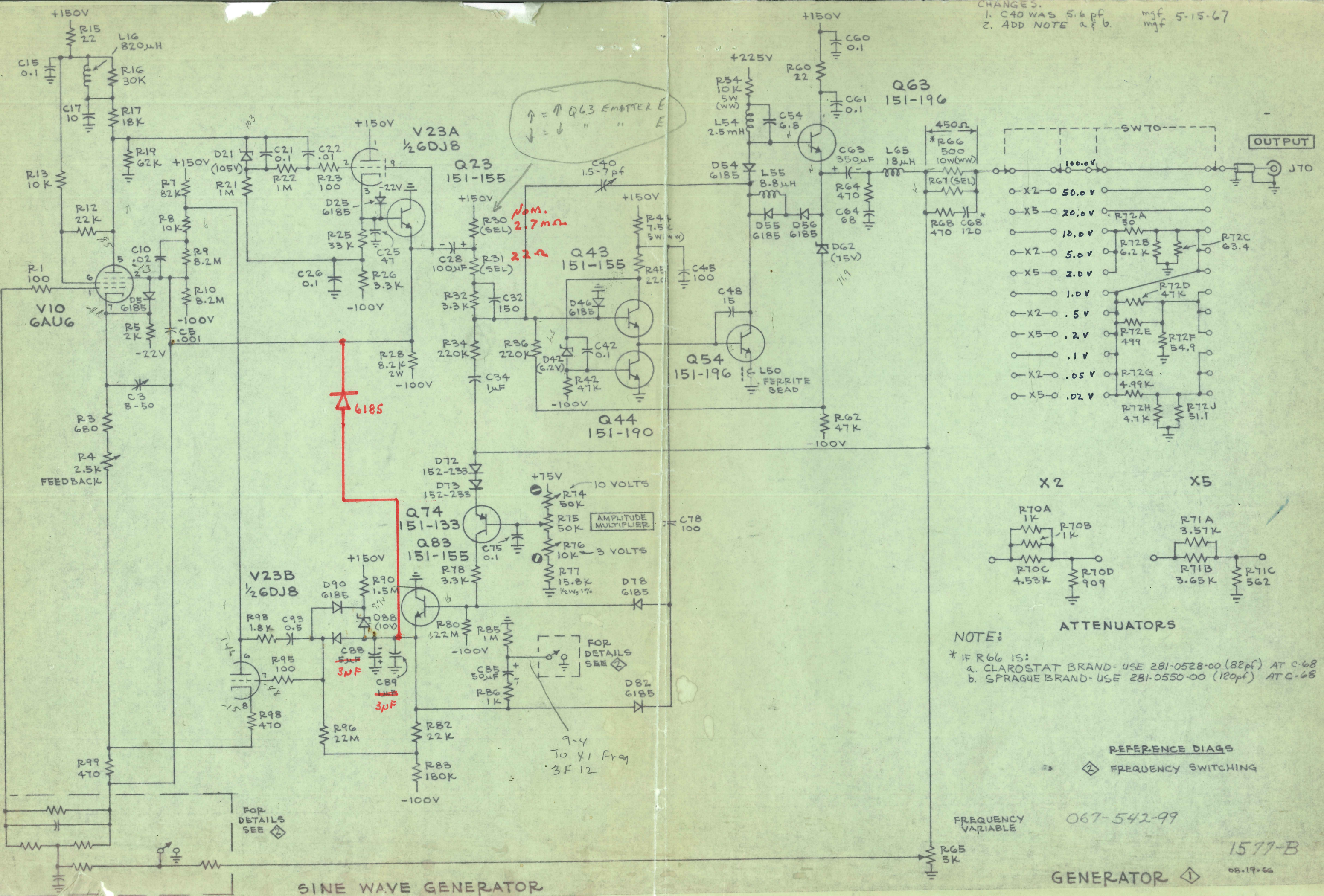


CHANGES:  
 1. C40 WAS 5.6 pf  
 2. ADD NOTE a & b.  
 mgf 5-15-67

↑ = ↑ Q63 EMITTER E  
 ↓ = ↓ " " E

NOM.  
 2.7mA

22Ω



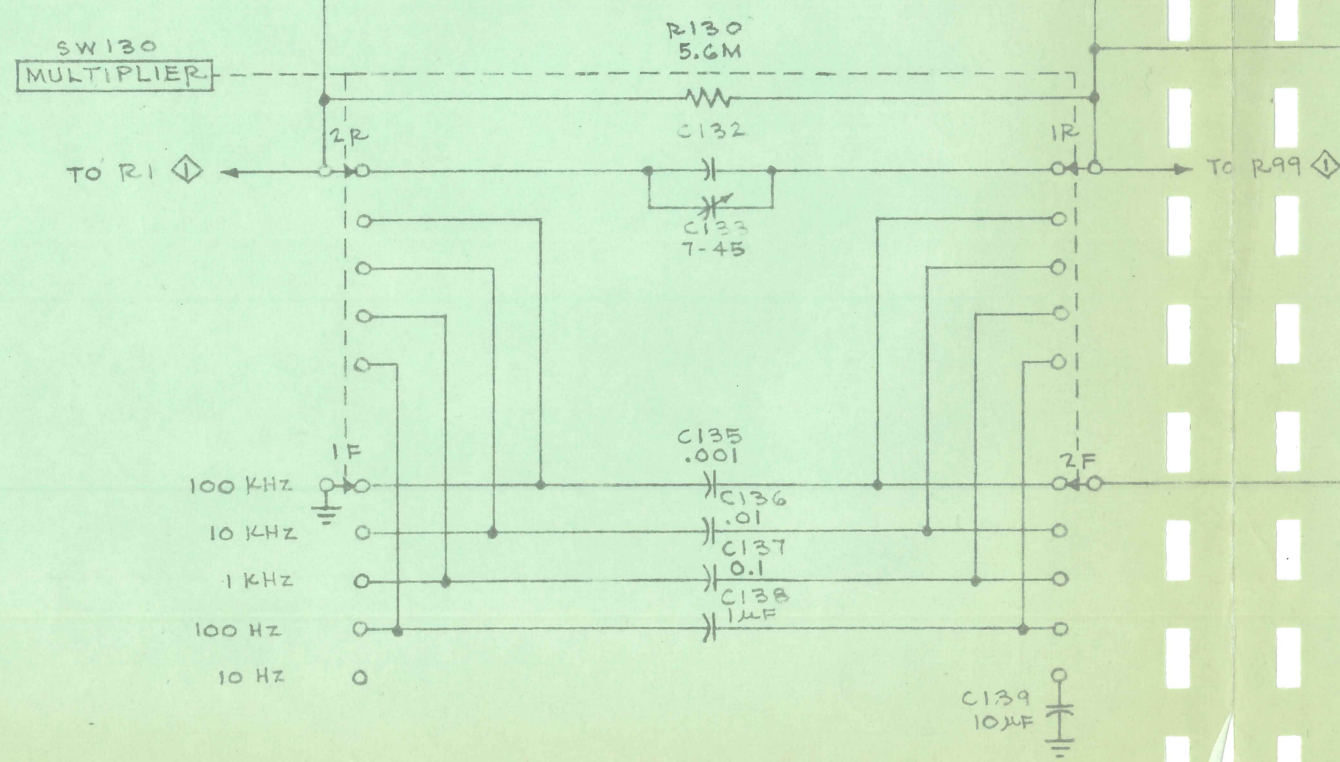
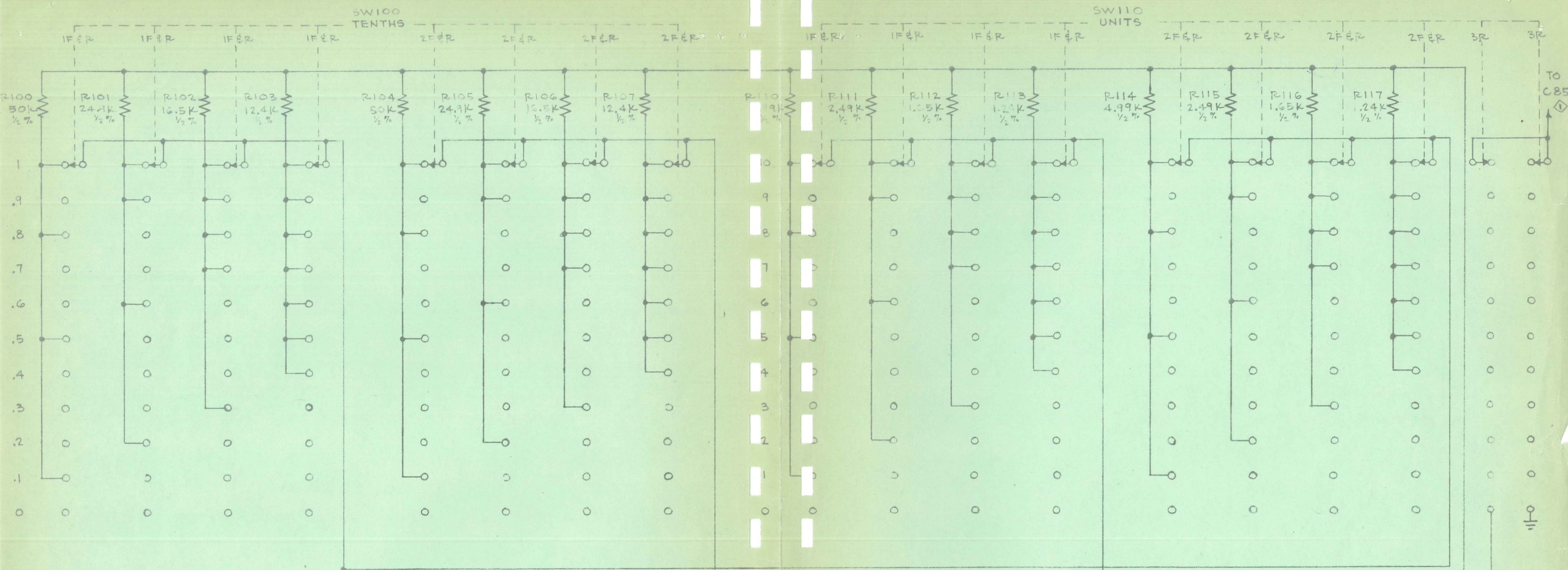
NOTE:  
 \* IF R66 IS:  
 a. CLAROSTAT BRAND - USE 281-0528-00 (82pf) AT C-68  
 b. SPRAGUE BRAND - USE 281-0550-00 (120pf) AT C-68

REFERENCE DIAGS  
 ⊠ FREQUENCY SWITCHING

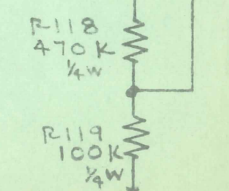
FREQUENCY VARIABLE  
 067-542-99

GENERATOR ⊠  
 1577-B  
 08-19-66

SINE WAVE GENERATOR



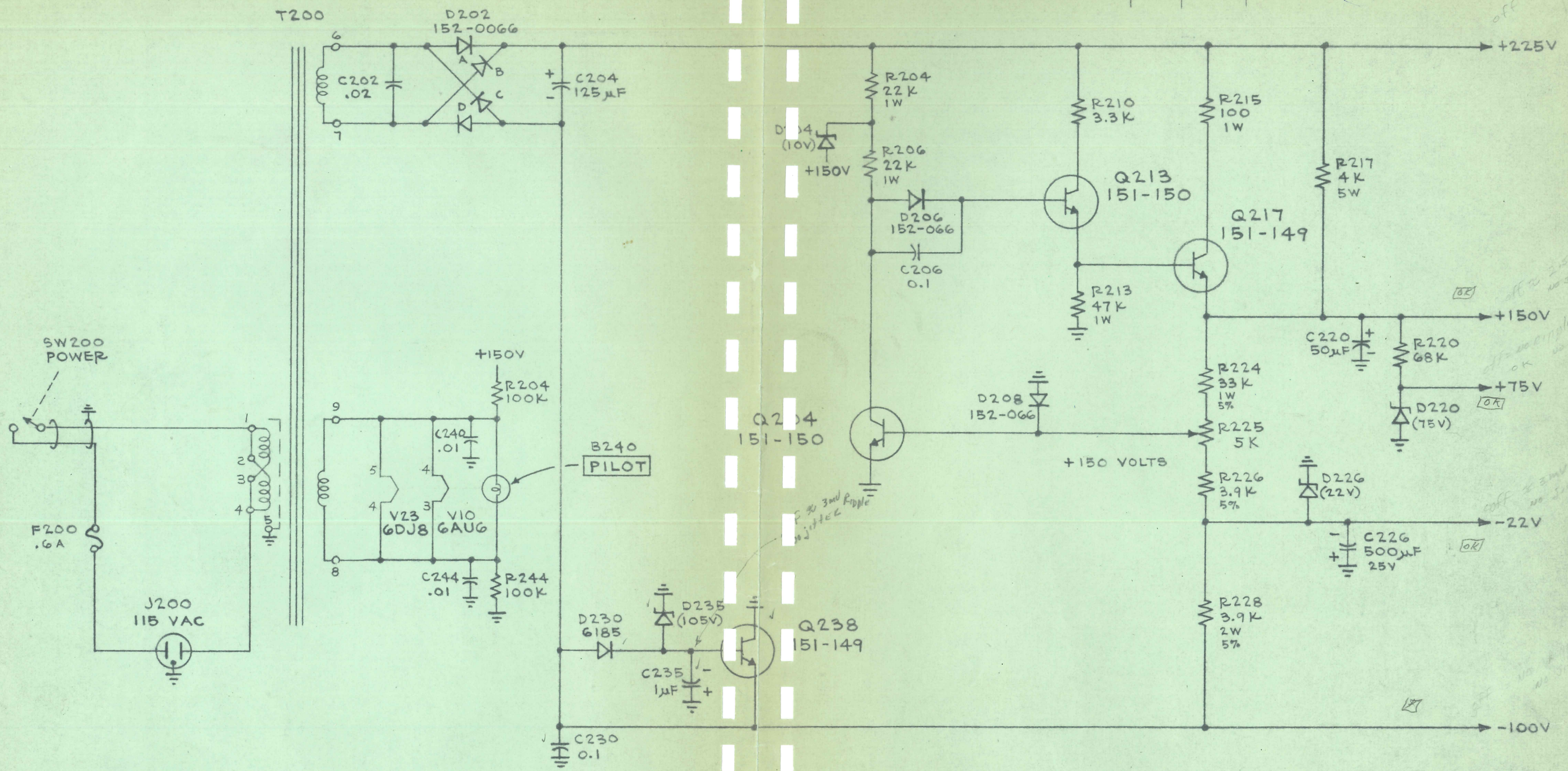
REFERENCE DIAGS  
 ◊ GENERATOR



SINE WAVE GENERATOR

067-542-99  
 MAR 2 1970  
 FREQUENCY SWITCHING ◊  
 1578-B

mgf 5-18-67 C202 WAS .022 & R225 WAS 2.5K; XFORMER & FIL. OF V10 & V23 NUMBERING WRONG



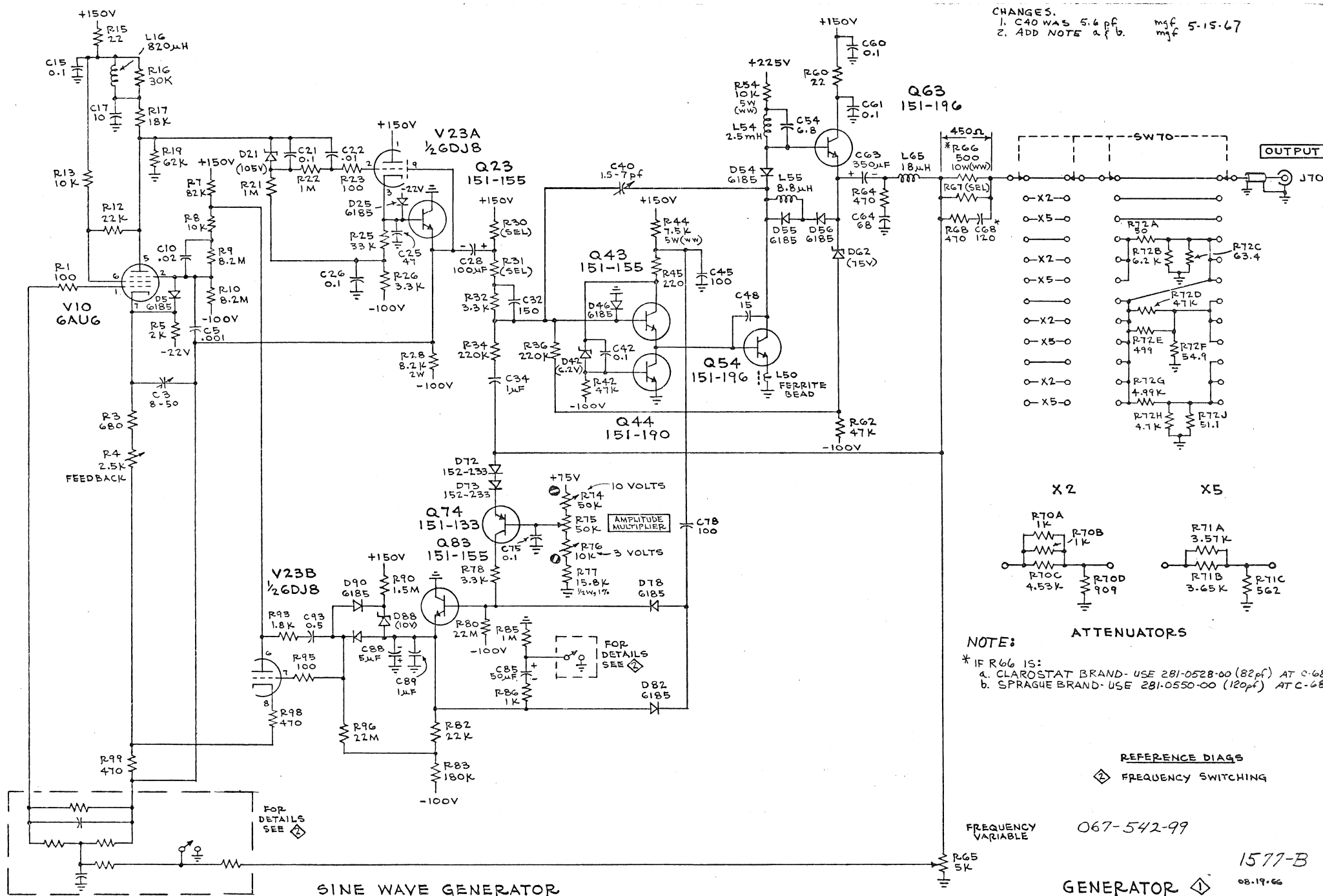
SINE WAVE GENERATOR

POWER SUPPLY 3  
067-542-99

08-19-66

1579-B

*off 2.5W NO FILTER*  
*off 2.5W NO FILTER*  
*off 3W NO FILTER*  
*NO FILTER*



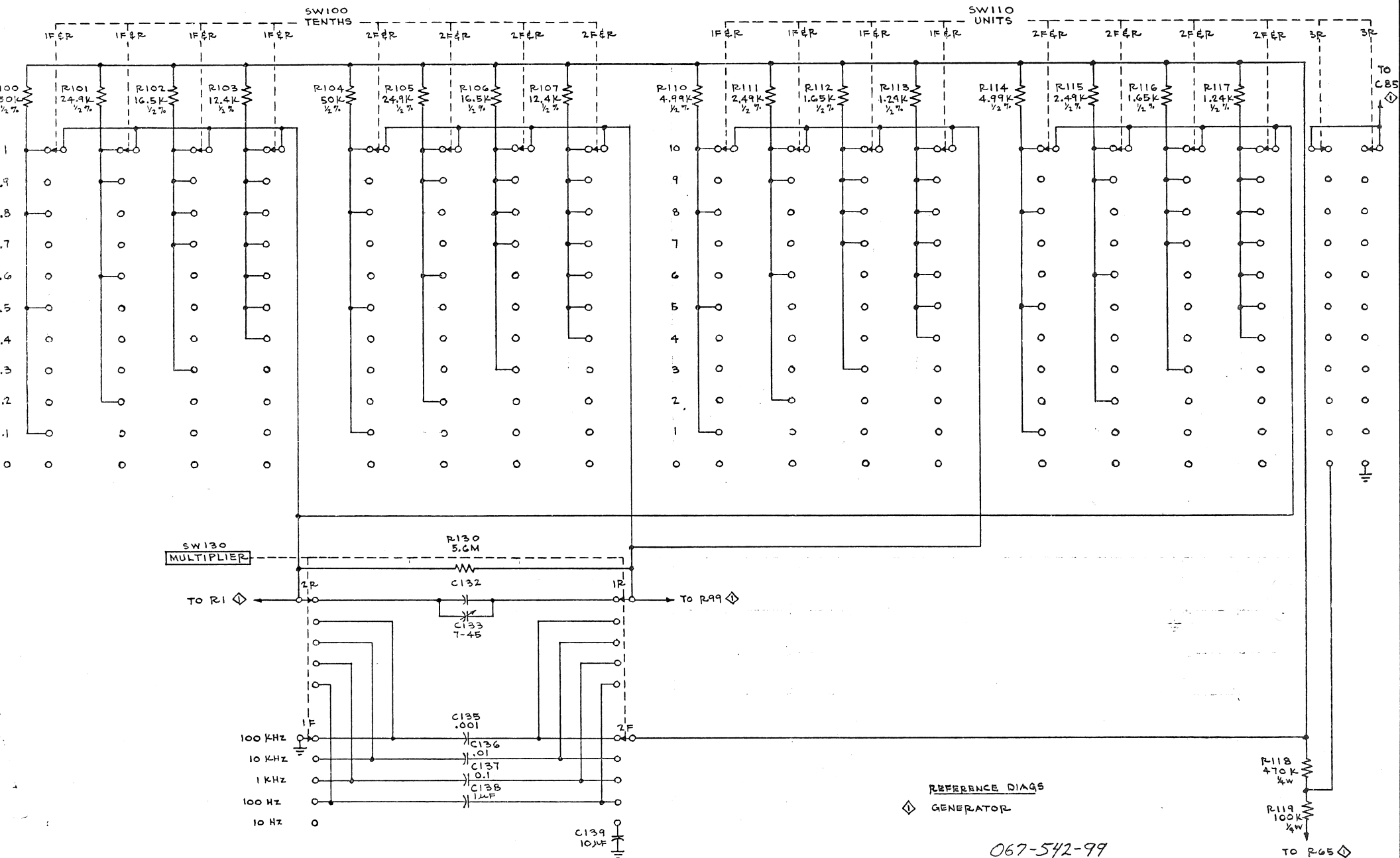
CHANGES.  
 1. C40 WAS 5.4 pf  
 2. ADD NOTE a f b. mfg 5-15-67

NOTE:  
 \* IF R66 IS:  
 a. CLAROSTAT BRAND- USE 281-0528-00 (82pf) AT C-68  
 b. SPRAGUE BRAND- USE 281-0550-00 (120pf) AT C-68

REFERENCE DIAGS  
 ⬢ FREQUENCY SWITCHING

FREQUENCY VARIABLE 067-542-99

GENERATOR ⬢ 1577-B  
 08-19-66



SINE WAVE GENERATOR

REFERENCE DIAGRAM  
GENERATOR

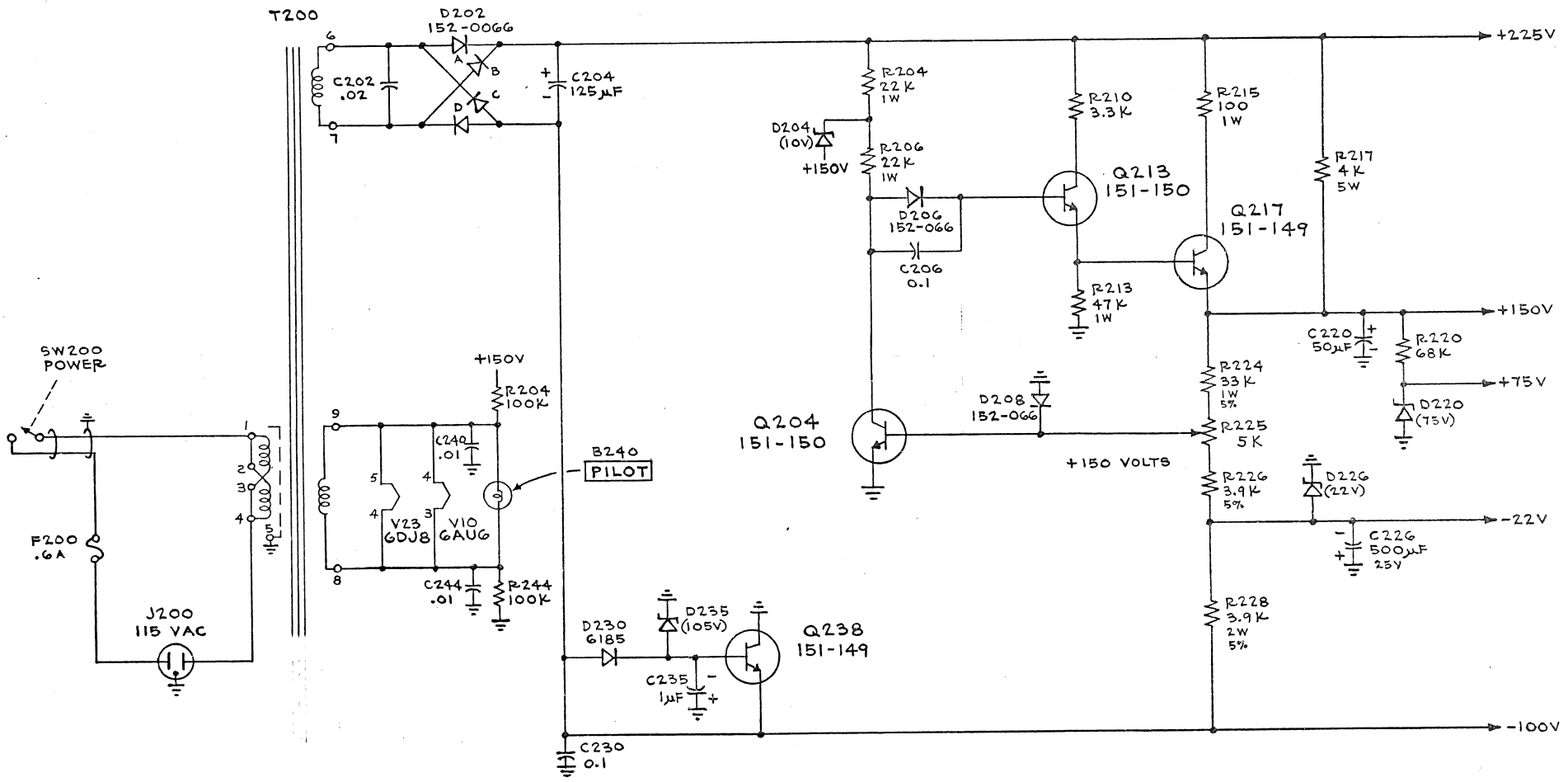
FREQUENCY SWITCHING

067-542-99

FREQUENCY VARIABLE

1578-B

jf 5  
 C2 15.0 225 3.5K;  
 XFORMER & FIL. OF V10 & V23 NUMBERING WRONG



SINE WAVE GENERATOR

POWER SUPPLY ③  
 067-542-99

08-19-66

1579-B