

TRIGGER AND SWEEP

155-0048-01 M052F  
155-0055-00

DESCRIPTION

This Integrated Circuit includes all functions for Trigger and Sweep.

Trigger

Input . . . . . FET Input: 50 mV to 1 Volt Peak-to-Peak  
Level . . . . . Single Control for Level and +Slope or -Slope  
Frequency . . . . . DC to 5 MHz.

Sweep

Ramp Output . . . . . -Slope From +2 Volts to -2 Volts,  
External Adjustment  $\pm$  0.5 Volts  
Maximum dV/dT. . . . . 1 V/ $\mu$ Sec  
Timing Resistor Voltage . . . . . +2.5 Volts  $\pm$  0.5 Volts  
Holdoff. . . . . External "C", Internal 0.25 mA Timing "I"  
Automatic Free-Run . . . . . External RC  
Unblank Output . . . . . +2 Volts During Sweep

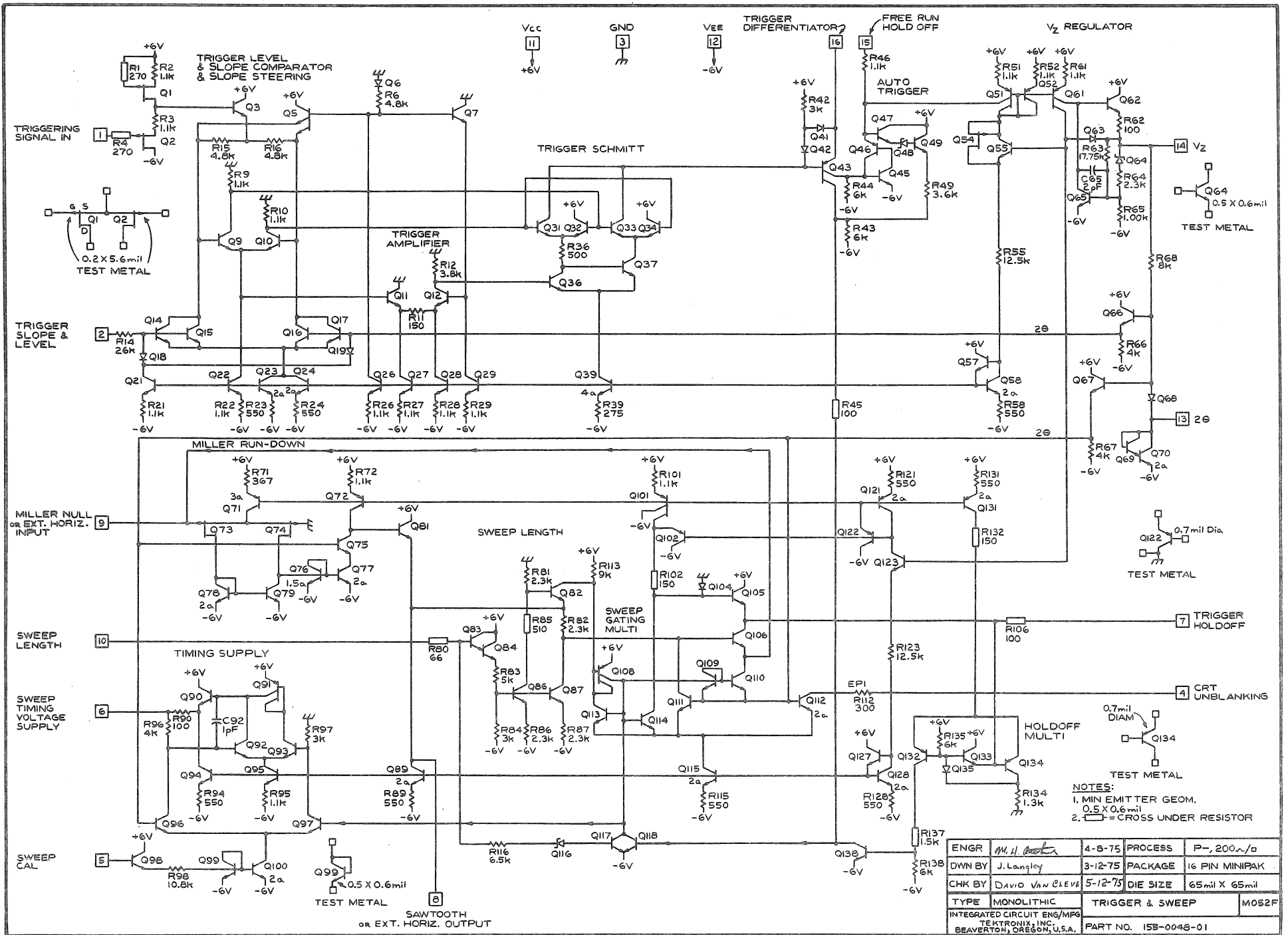
PROCESS. . . . . P- 200  $\Omega$ /Sq

POWER SUPPLY . . . . .  $\pm$  5 Volts to  $\pm$  10 Volts at 8 mA

PACKAGE. . . . . 155-0048-01 (16 Minipac), 155-0055-00 (16 DIP)

DESIGNER . . . . . Dave Allen

INSTRUMENT USAGE. . . . . 211 5B12N 603950H  
212 5B13N 604950H  
213 5B13NH 605950H  
214 5L4N 5C501



NOTES:  
 1. MIN EMITTER GEOM.  
 0.5 X 0.6 mil  
 2. = CROSS UNDER RESISTOR

ENGR	<i>AM. H. [Signature]</i>	4-8-75	PROCESS	P-, 200 $\mu$ /s
DWN BY	J. Langley	3-12-75	PACKAGE	16 PIN MINIPAK
CHK BY	DAVID VAN CLEVE	5-12-75	DIE SIZE	65 mil X 65 mil
TYPE	MONOLITHIC		TRIGGER & SWEEP	MOS2F
INTEGRATED CIRCUIT ENG/MPG TEKTRONIX, INC. BEAVERTON, OREGON, U.S.A.			PART NO. 155-0045-01	