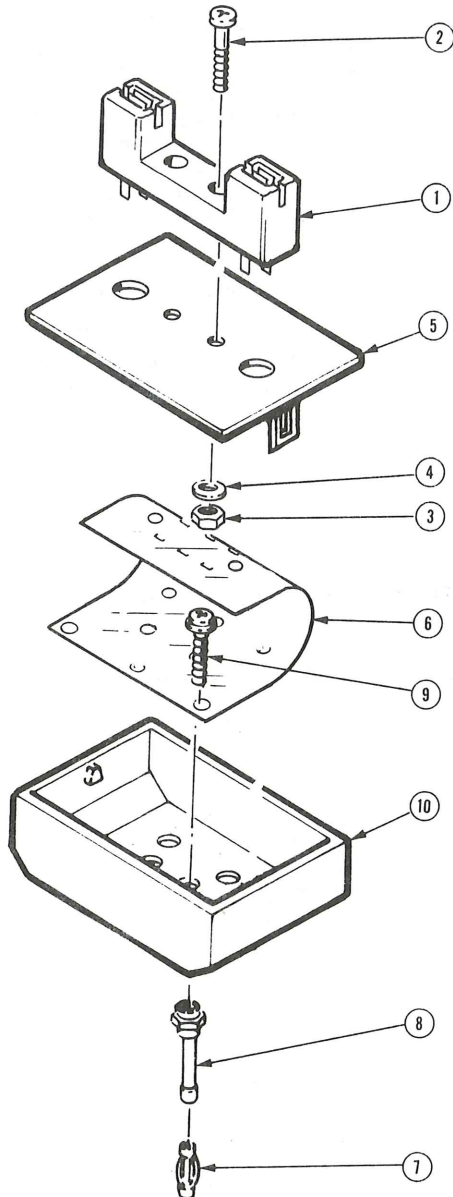


**A1005 DIODE ADAPTER**



NO. 062-8514-01  
DATE APR 1987 (R)  
COPYRIGHT ©1985  
TEKTRONIX, INC.  
ALL RIGHTS RESERVED

Fig. & Index No.	Tektronix Part No.	Serial/Assembly No.		Qty	12345 Name & Description	Mfr.	
		Effective	Dscont			Code	Mfr. Part No.
1-1	136-0852-00			1	SKT,PL-IN ELEK:AXIAL LEAD (ATTACHING PARTS)	53036	202-2483-00-1125
-2	211-0741-00			2	SCREW,MACHINE:6-32 X 0.5,NYLON	83486	ORDER BY DESCR
-3	220-0030-00			2	NUT,PLAIN,HEX:6-32 X 0.305,WHITE NYLON	TK1281	ORDER BY DESCR
-4	210-3057-00			2	WASHER,FLAT:0.17 ID X 0.35 OD X 0.03,NYL (END ATTACHING PARTS)	TK1452	ORDER BY DESCR
-5	200-3188-00	8537	8638	1	COVER,ADAPTER:OFF-SET LEAD	80009	200-3188-00
	200-3188-01	8639		1	COVER,ADAPTER:OFF-SET LEAD	80009	200-3188-01
-6	259-0034-00	8537	8638	1	FLEX CIRCUIT:FLEX INTERCONNECT DIODE ADAPTE R	80009	259-0034-00
	259-0034-01	8639		1	FLEX CIRCUIT:INTERCONNECT DIODE ADAPTER	80009	259-0034-01
-7	214-3790-00			4	SPRING,CONTACT:0.470 L,CU BE	80009	214-3790-00
-8	131-3576-00			4	CONTACT,ELEC:0.25 DIA,BRASS (ATTACHING PARTS)	80009	131-3576-00
-9	211-0324-00	8537	8707	4	SCR,ASSEM WSHR:4-40 X 0.188,PNH,T9 TORX DR	01536	829-06780-024
	211-0292-00	8708		4	SCR,ASSEM WSHR:4-40 X 0.29,PNH,BRS NI PL (END ATTACHING PARTS)	78189	51-040445-01
-10	202-0201-00	8537	8638	1	BOX,TEST ADPTR:2.205 X 1.60 X 0.640	80009	202-0201-00
	202-0201-01	8639		1	BOX,TEST ADPTR:2.205 X 1.6 X 0.64	80009	202-0201-01
STANDARD ACCESSORIES							
	003-1369-00	8537	8638	1	RLSE TOOL,COVER:POLYCARBONATE	80009	003-1369-00
	062-8514-00	8537	8638	1	DATA SHEET:A1005 DIODE ADAPTER	80009	062-8514-00
	062-8514-01	8639		1	DATA SHEET:A1005 DIODE ADAPTER	80009	062-8514-01

**CROSS INDEX - MFR. CODE NUMBER TO MANUFACTURER**

Mfr. Code	Manufacturer	Address	City, State, Zip Code
01536	TEXTRON INC CAMCAR DIV	1818 CHRISTINA ST	ROCKFORD IL 61108
78189	SEMS PRODUCTS UNIT ILLINOIS TOOL WORKS INC	ST CHARLES ROAD	ELGIN IL 60120
80009	SHAKEPROOF DIVISION TEKTRONIX INC	4900 S W GRIFFITH DR P O BOX 500	BEAVERTON OR 97077
83486	ELCO INDUSTRIES INC	1101 SAMUELSON RD	ROCKFORD IL 61101
TK1281	MICRO PLASTICS INC	HWY 178 NORTH	FLIPPIN AR 72634
TK1452	SHELLY-RAGON INC	8219 SW CIRBUS	BEAVERTON OR 97005