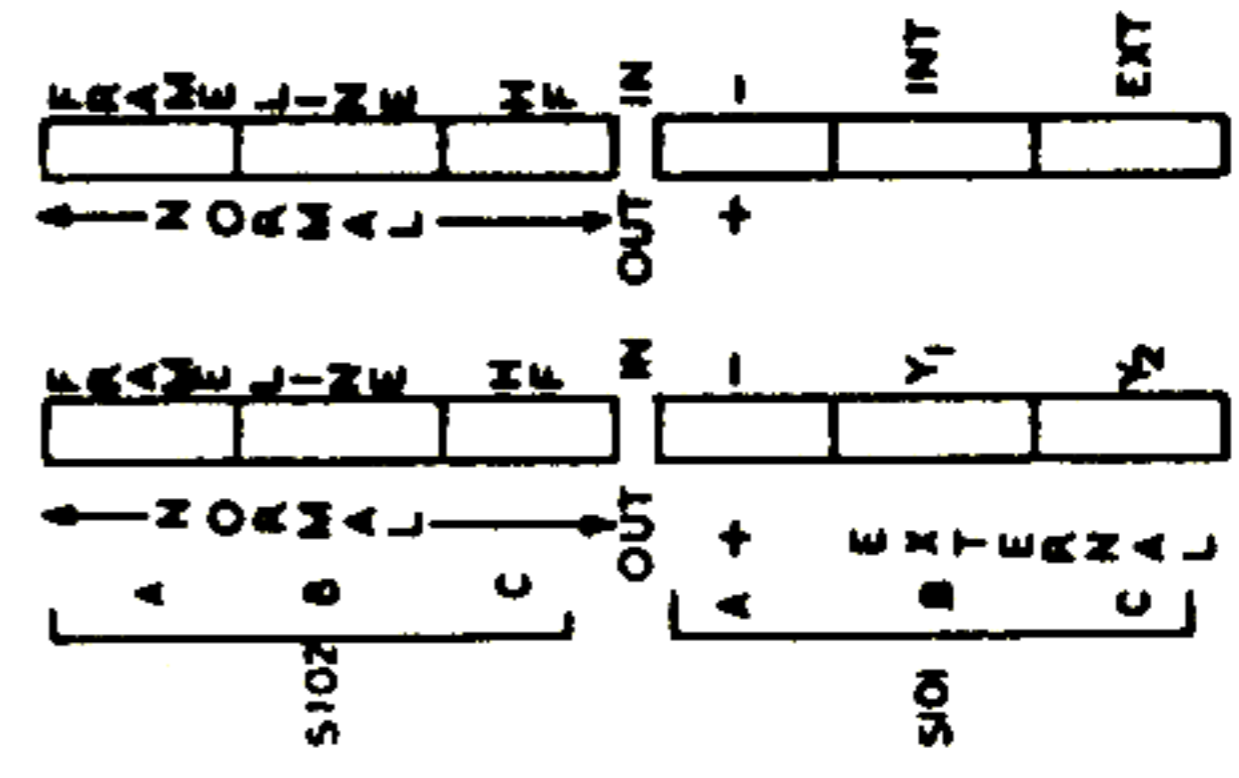
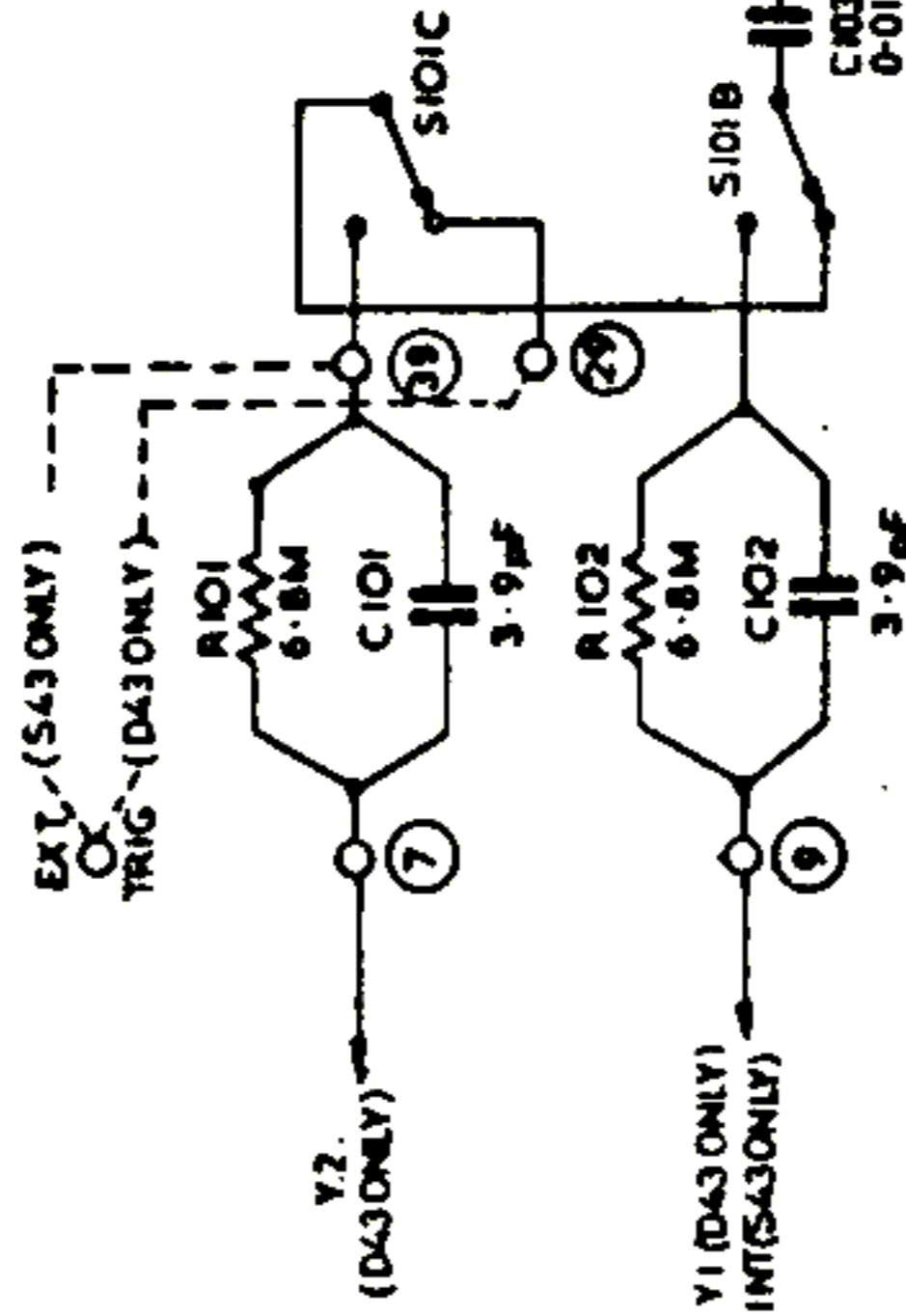


NOTES:
1. SWITCHES NOS. S101, S102 SHOWN IN OUT POSITION.

2. DENOTES TERMINALS ON P/C BOARD

3. VOLTAGES MEASURED WITH AVO 8 METER TIME/CM SW SET AT 10ms/CM TRIGGERED BY 50cps CAL WAVEFORM.

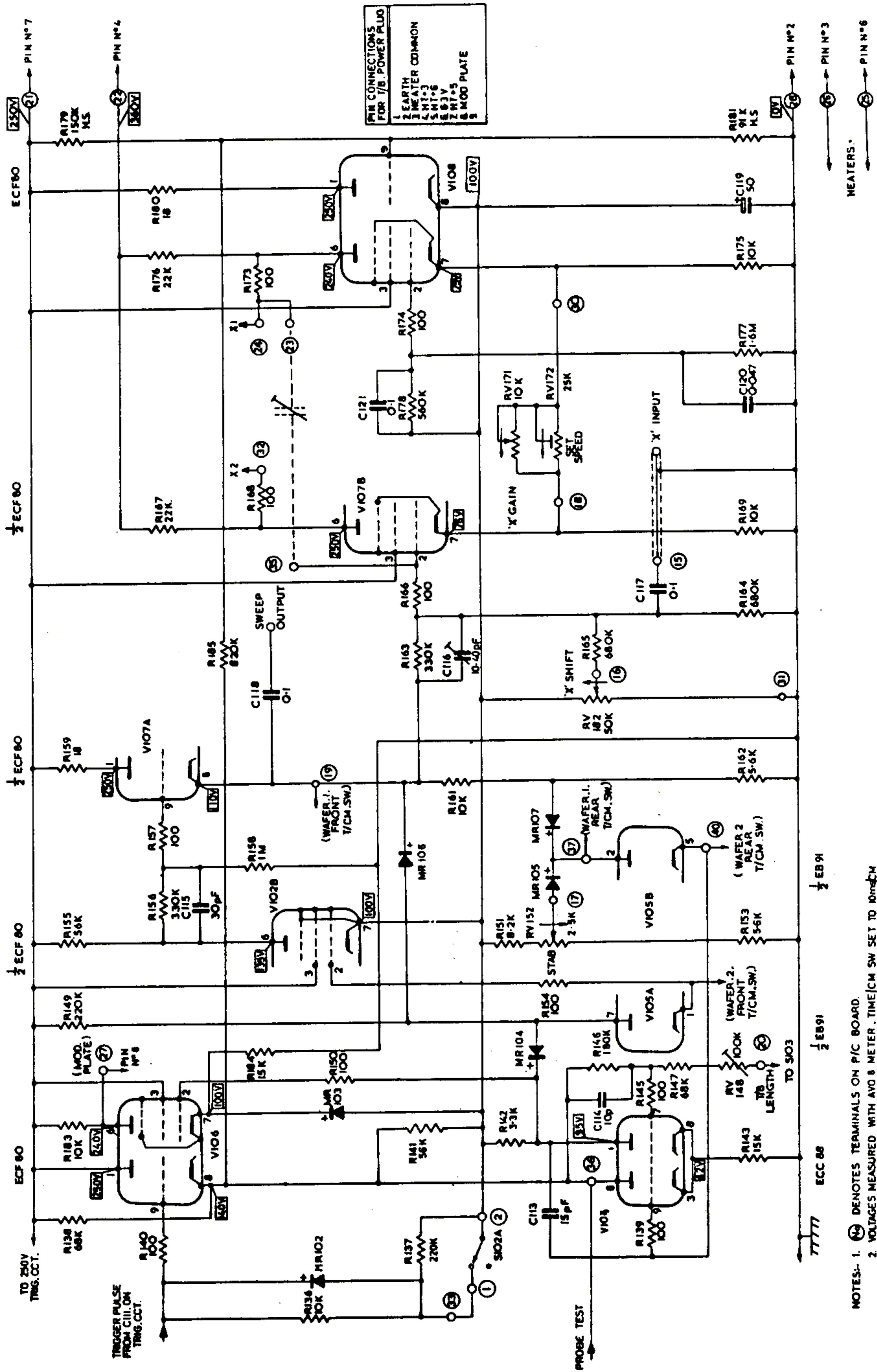


D43 S43

TRIG SELECTOR SWITCH

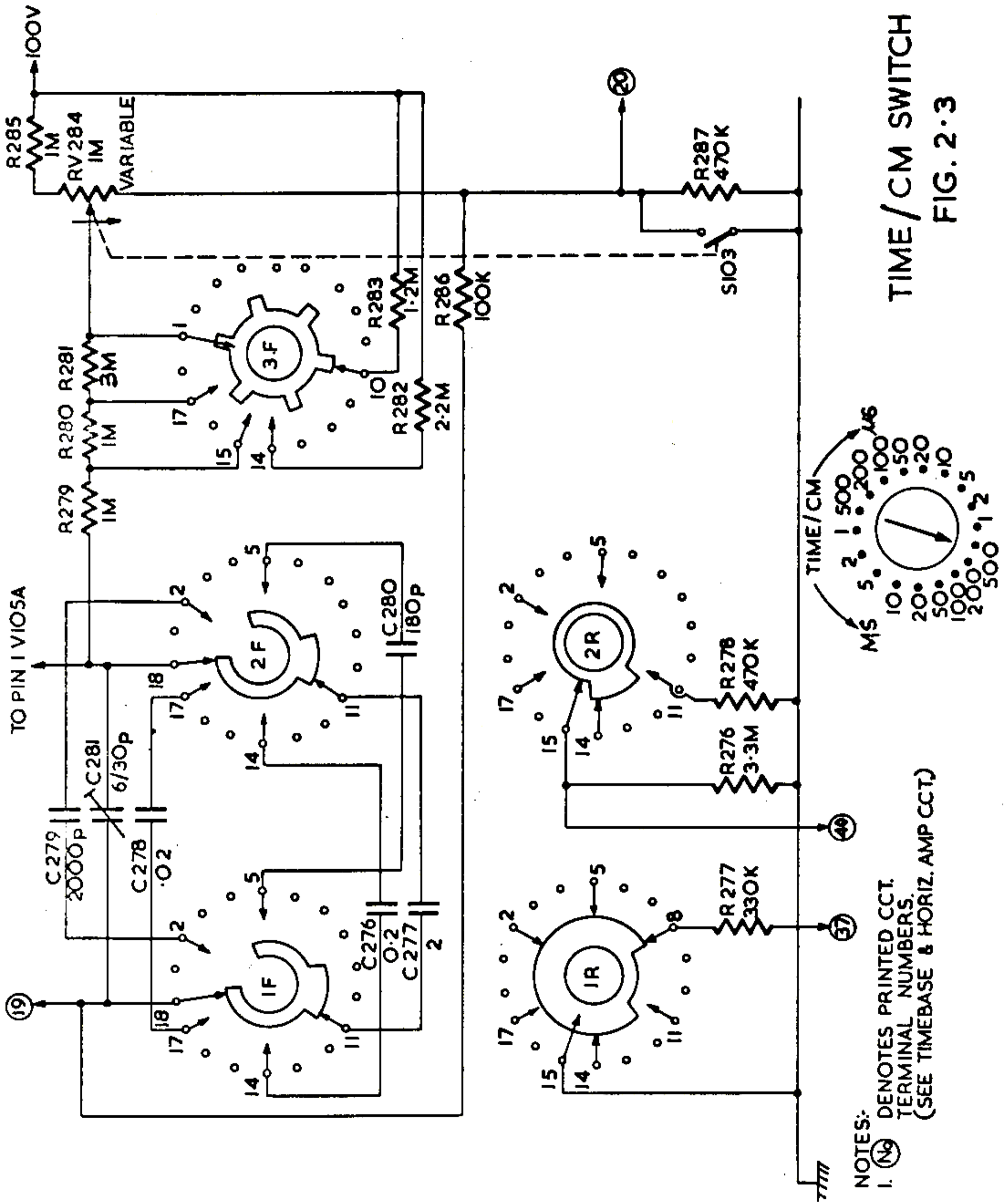
TRIGGER CIRCUIT

FIG.2.1.



NOTES:- 1. (14) DENOTES TERMINALS ON P/C BOARD.
 2. VOLTAGES MEASURED WITH AVO 8 METER. TIME/CM SW SET TO 10μs/CM
 TRIGGERED BY 50cps CAL. WAVEFORM.

TIMEBASE & HORIZONTAL AMPLIFIER FIG.2.2.



TIME/CM SWITCH
FIG. 2.3

VERTICAL AMPLIFIER TYPE 43A (15 MC/S)

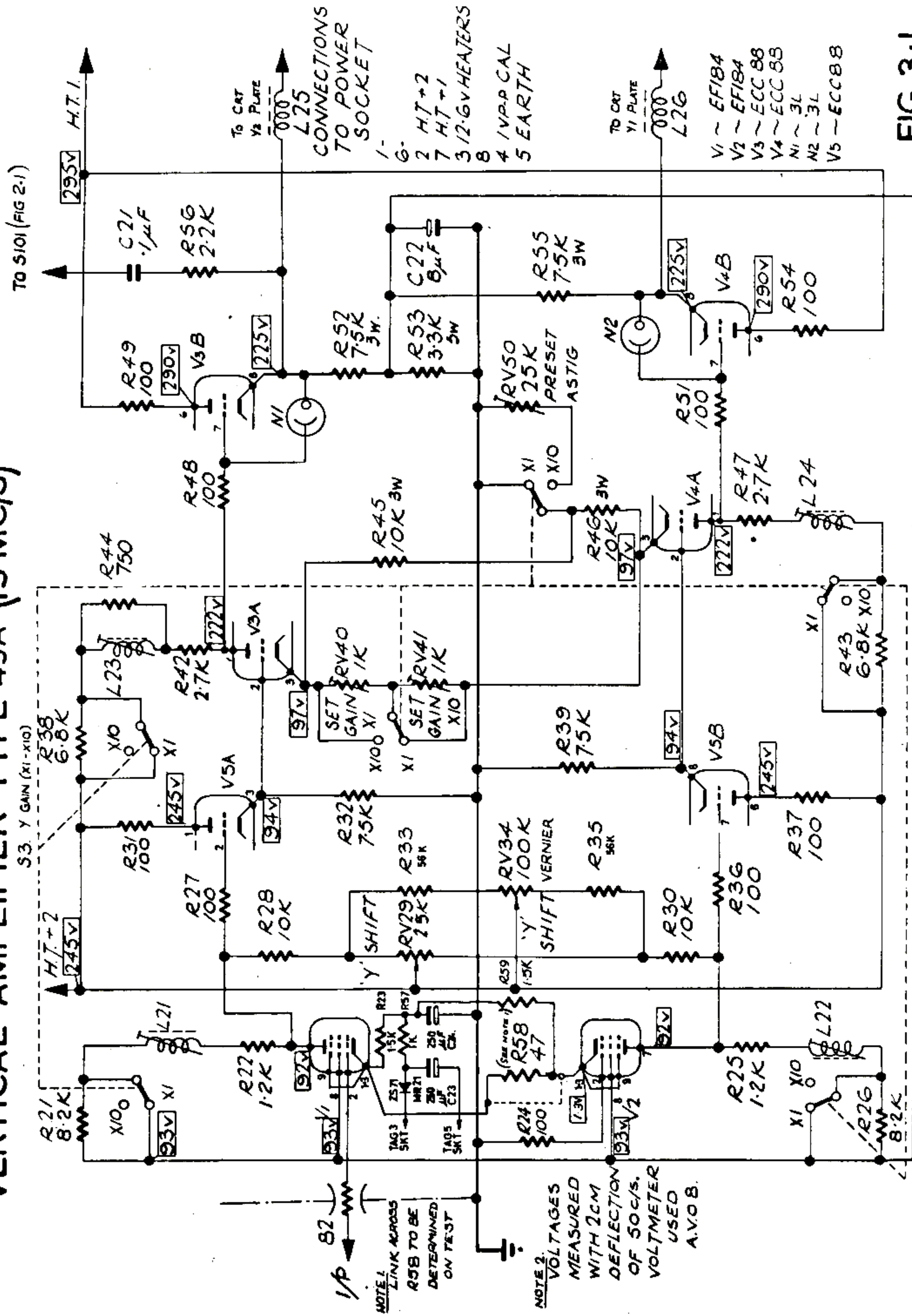


FIG 3.1

INPUT ATTENUATOR

TYPE 43A

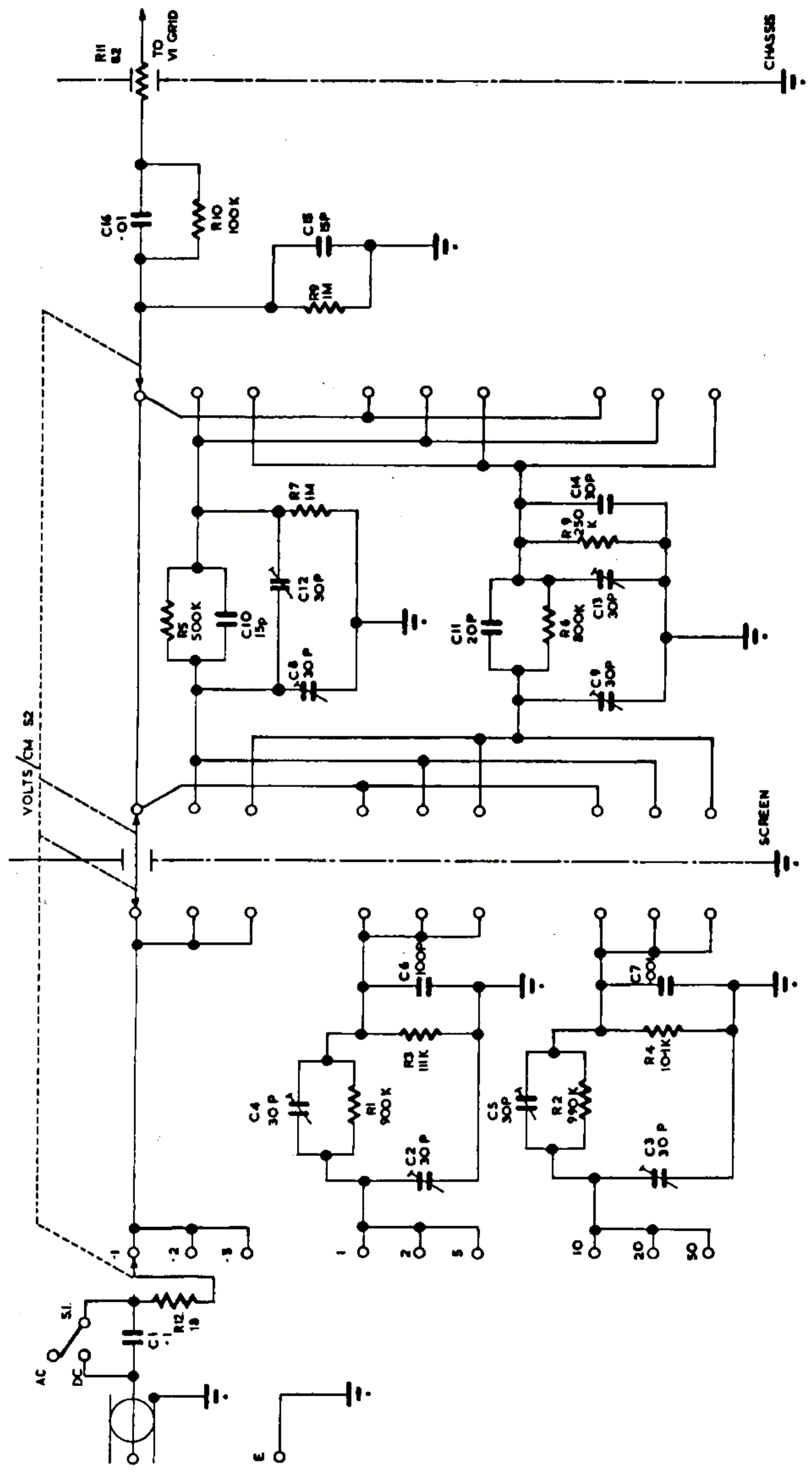
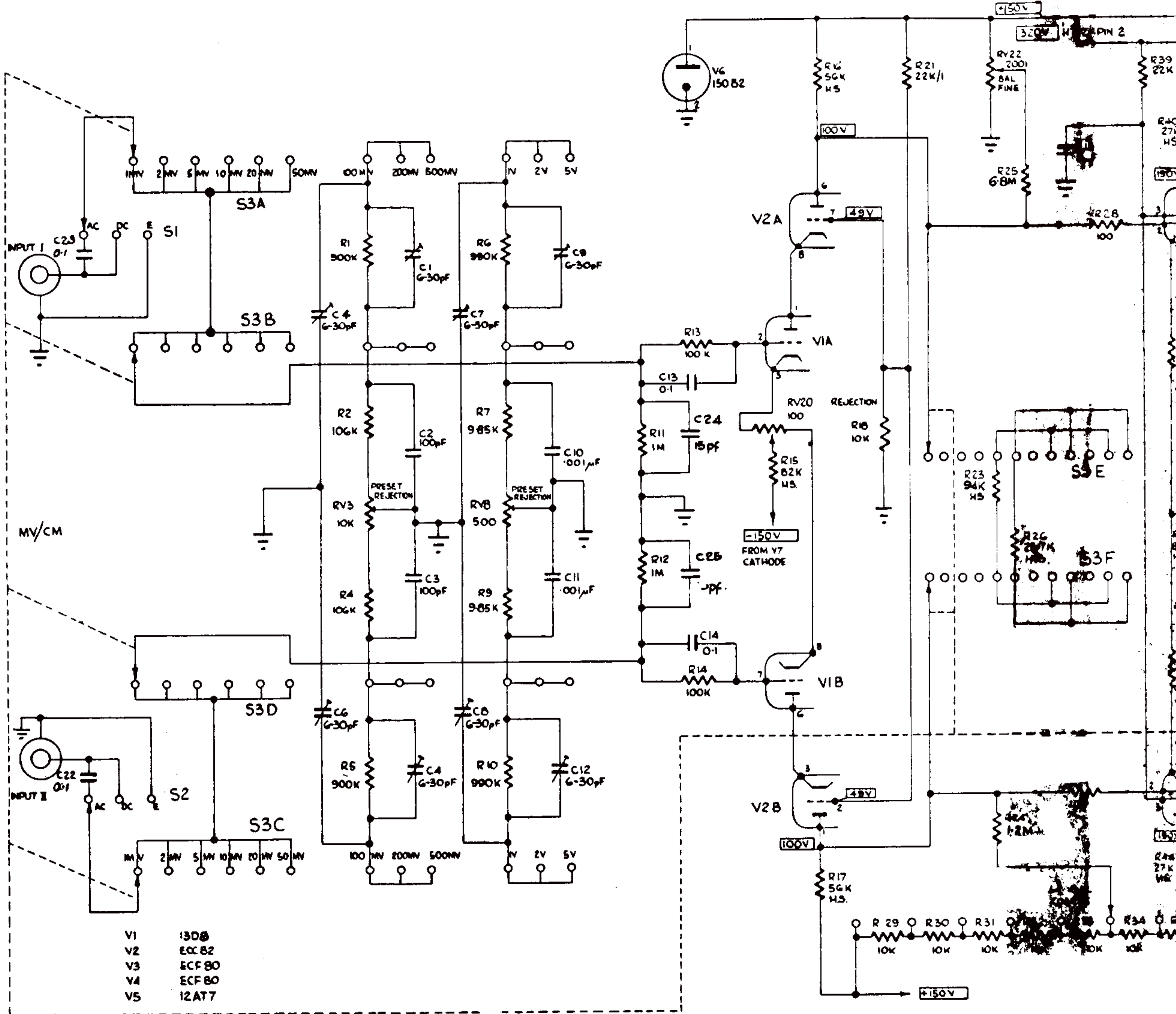


FIG 3.2

TYPE 'B' AMPLIFIER



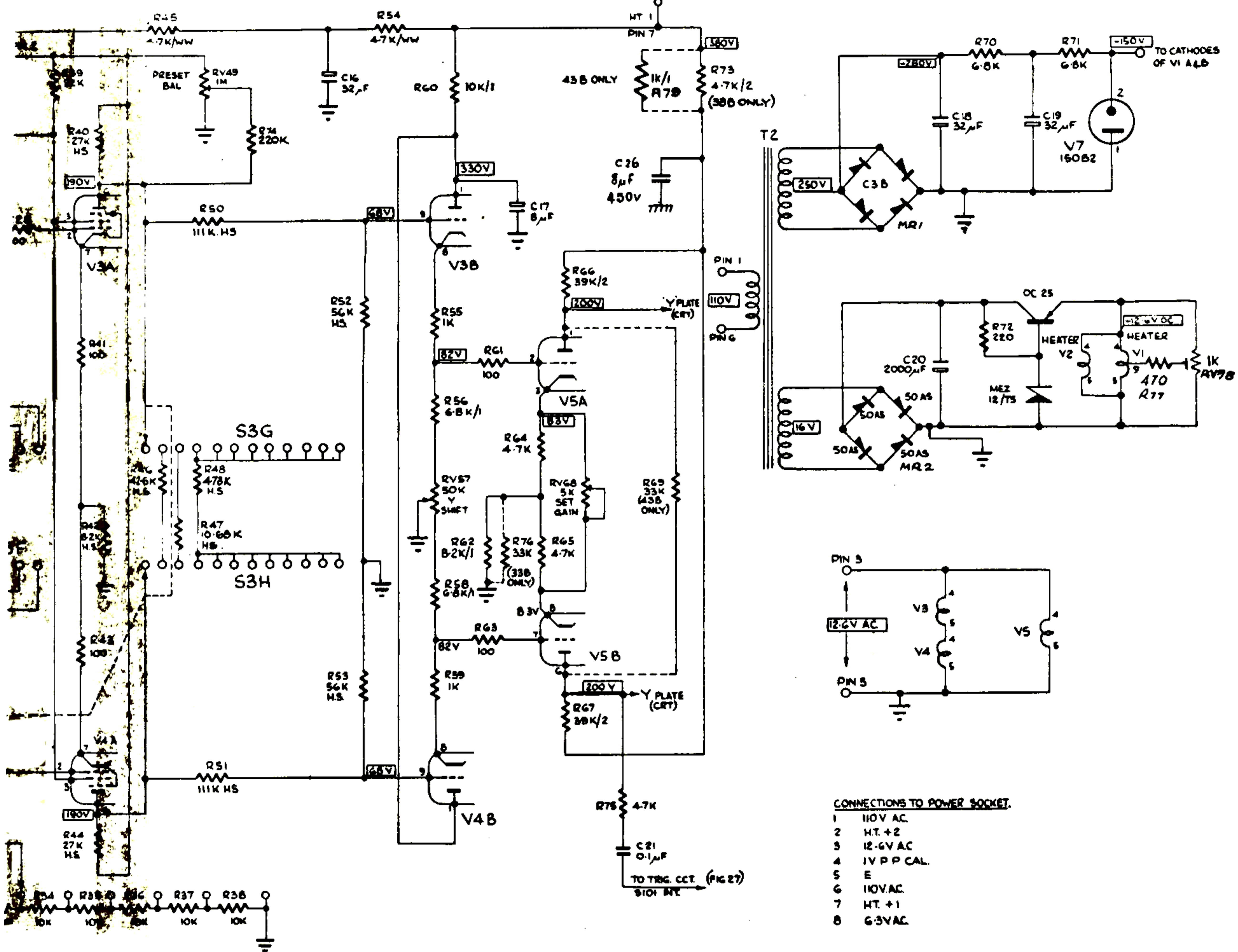


FIG. 3.3

CONNECTIONS TO REAR POWER SOCKET

- 1 2 MT-2
- 2 12.6V A.C.
- 3 1V-2
- 4 1V-3
- 5 1V-4
- 6 1V-5
- 7 1V-6
- 8 0-3V A.C.

TYPE 43C AMPLIFIER

TAMP SUPPLY [25V] MT-2

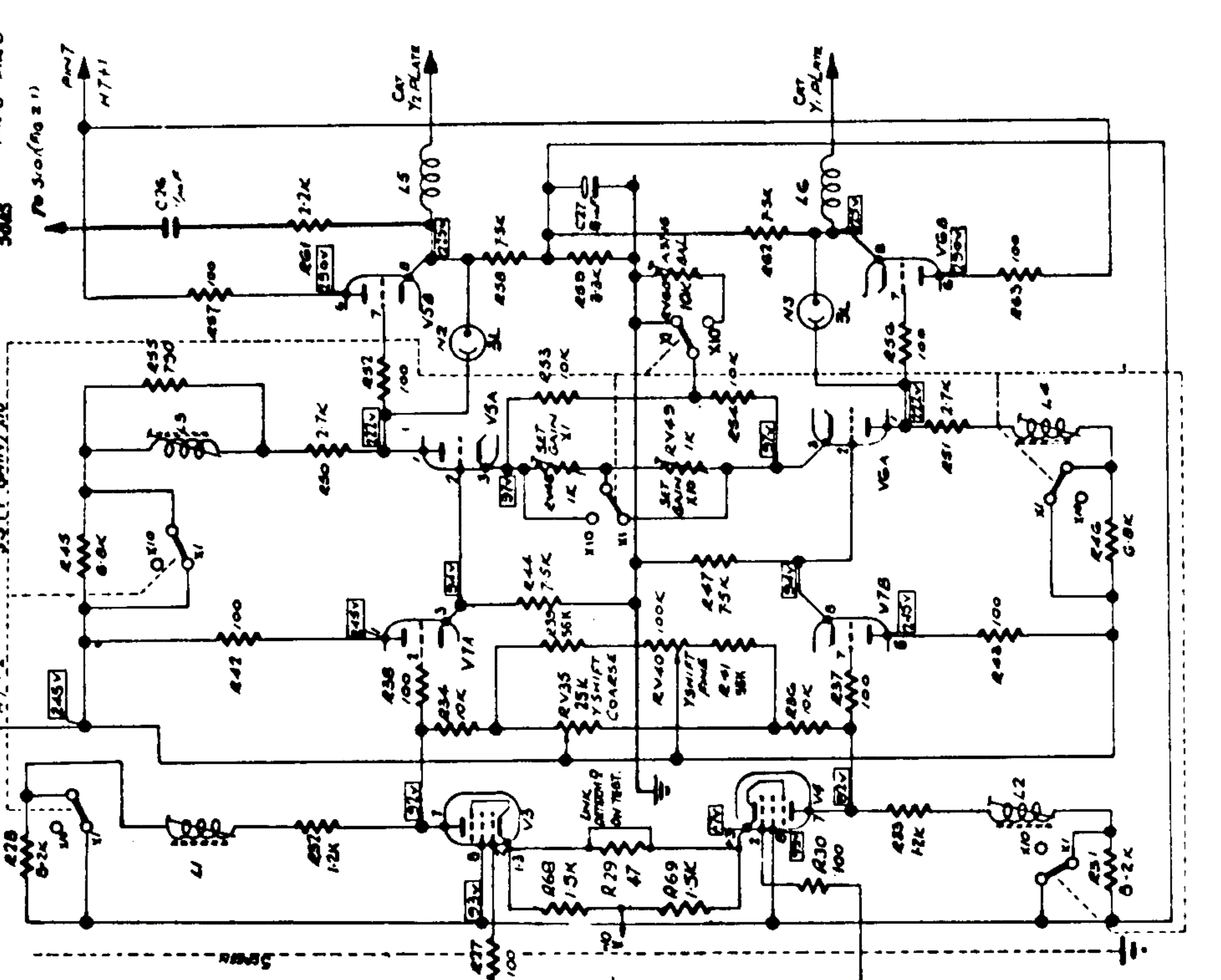
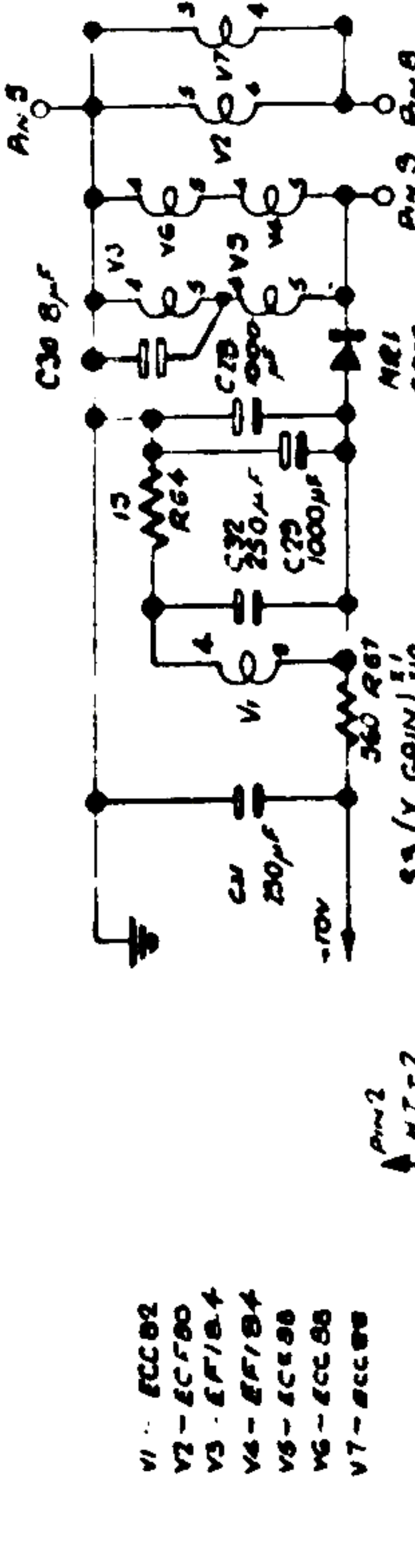
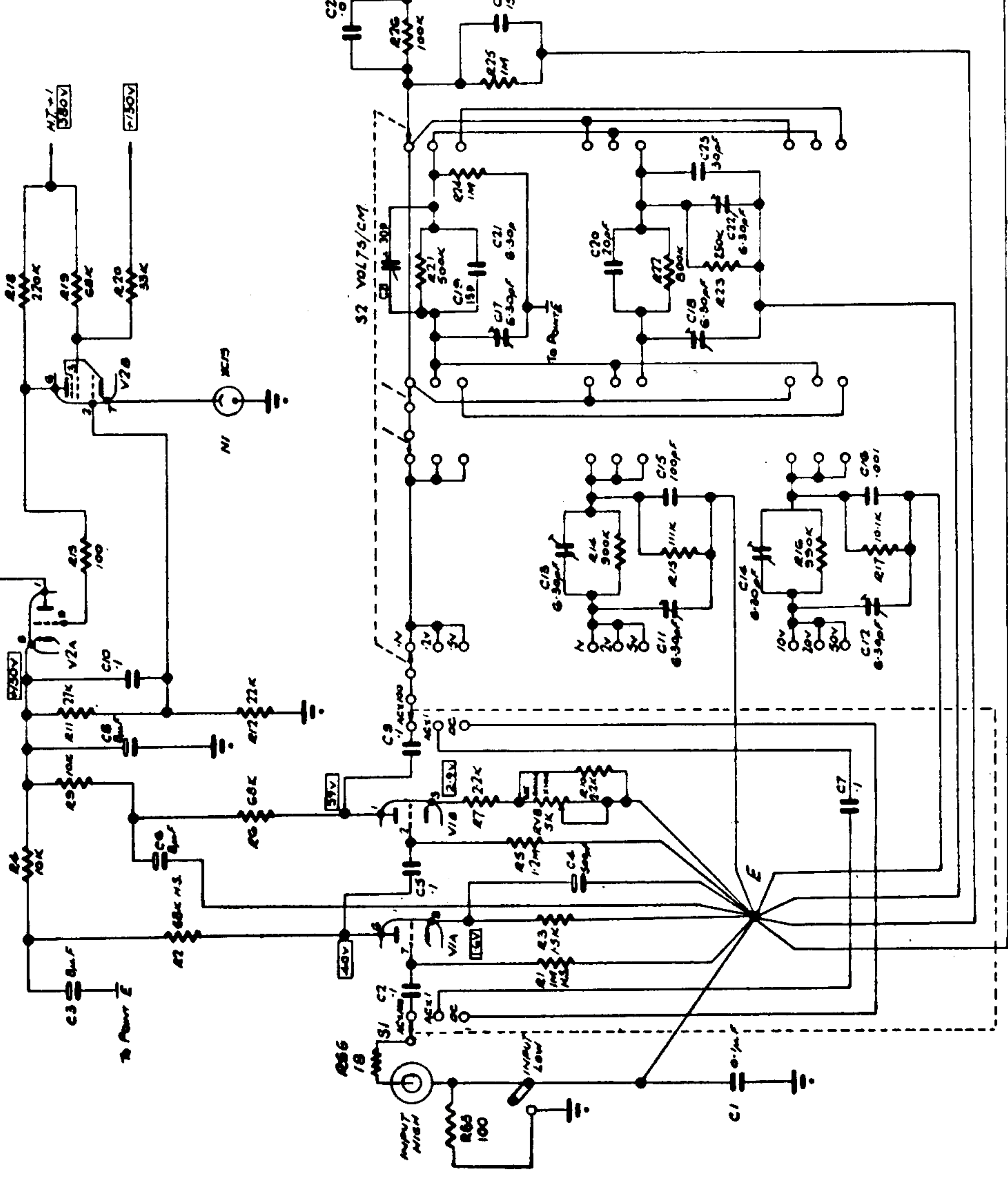
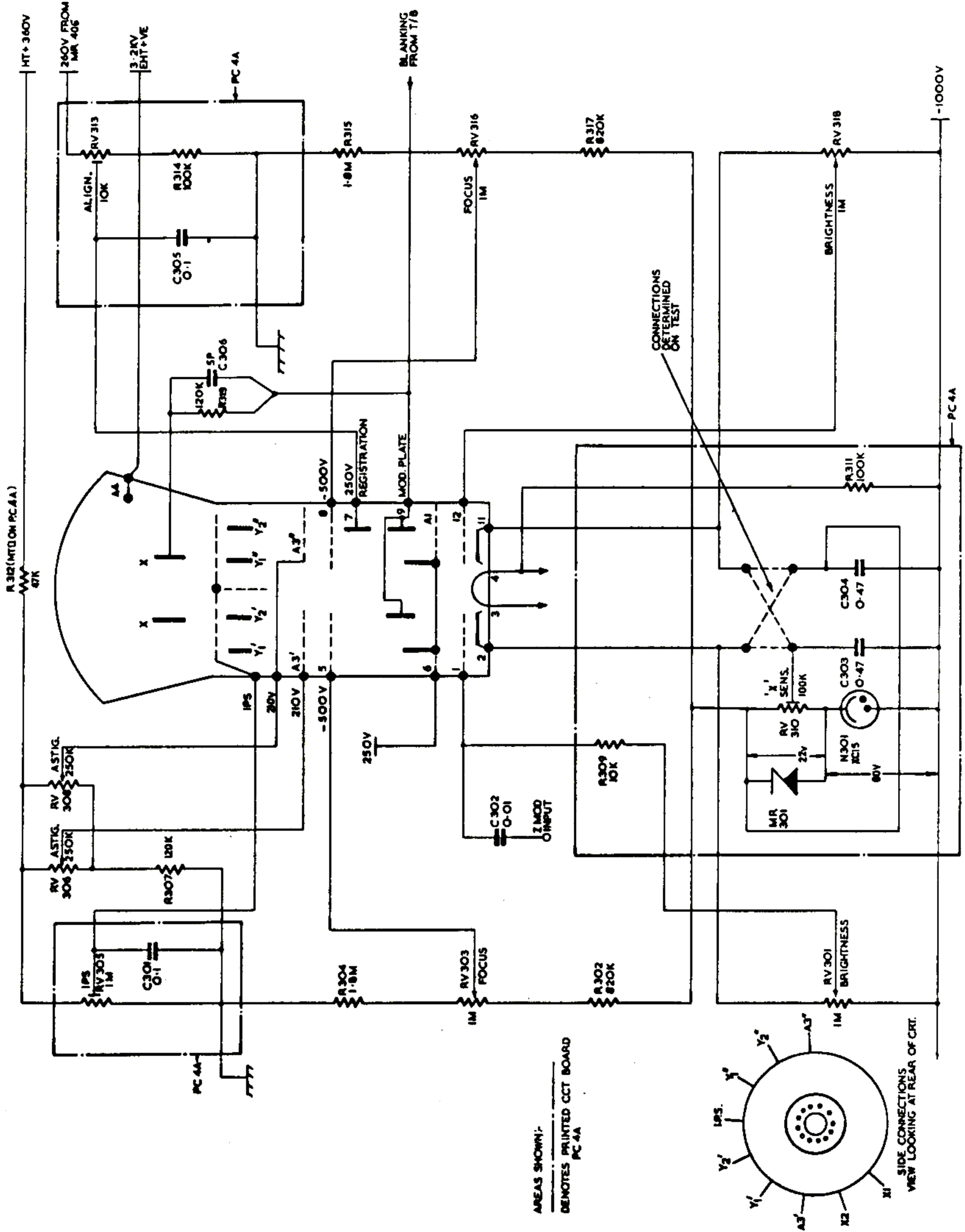


FIG. 34

CRT CCT. TYPE D43



AREAS SHOWN:
 --- DENOTES PRINTED CCT BOARD
 PC 4A

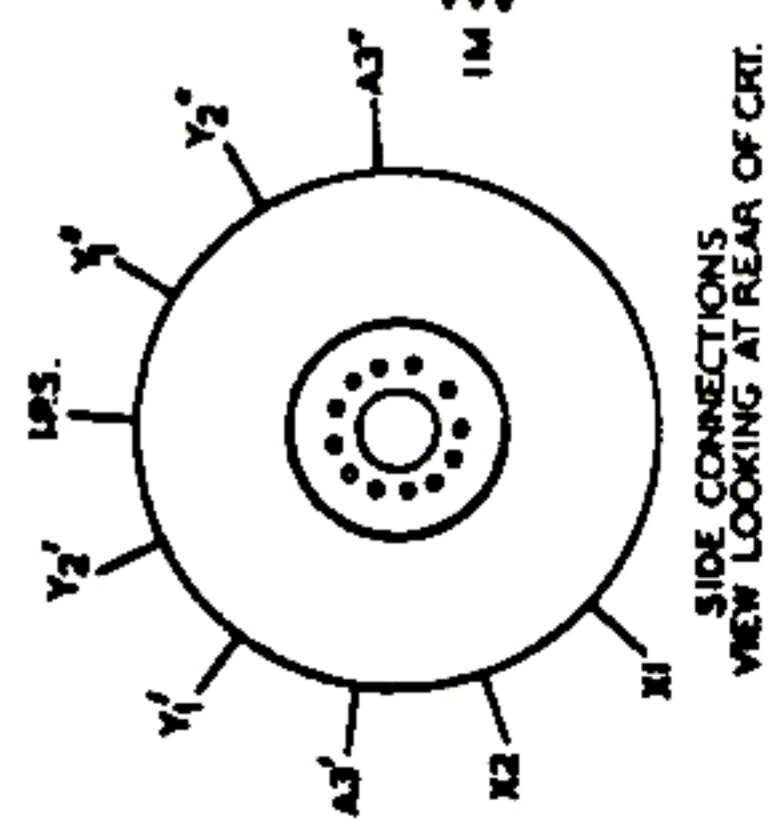
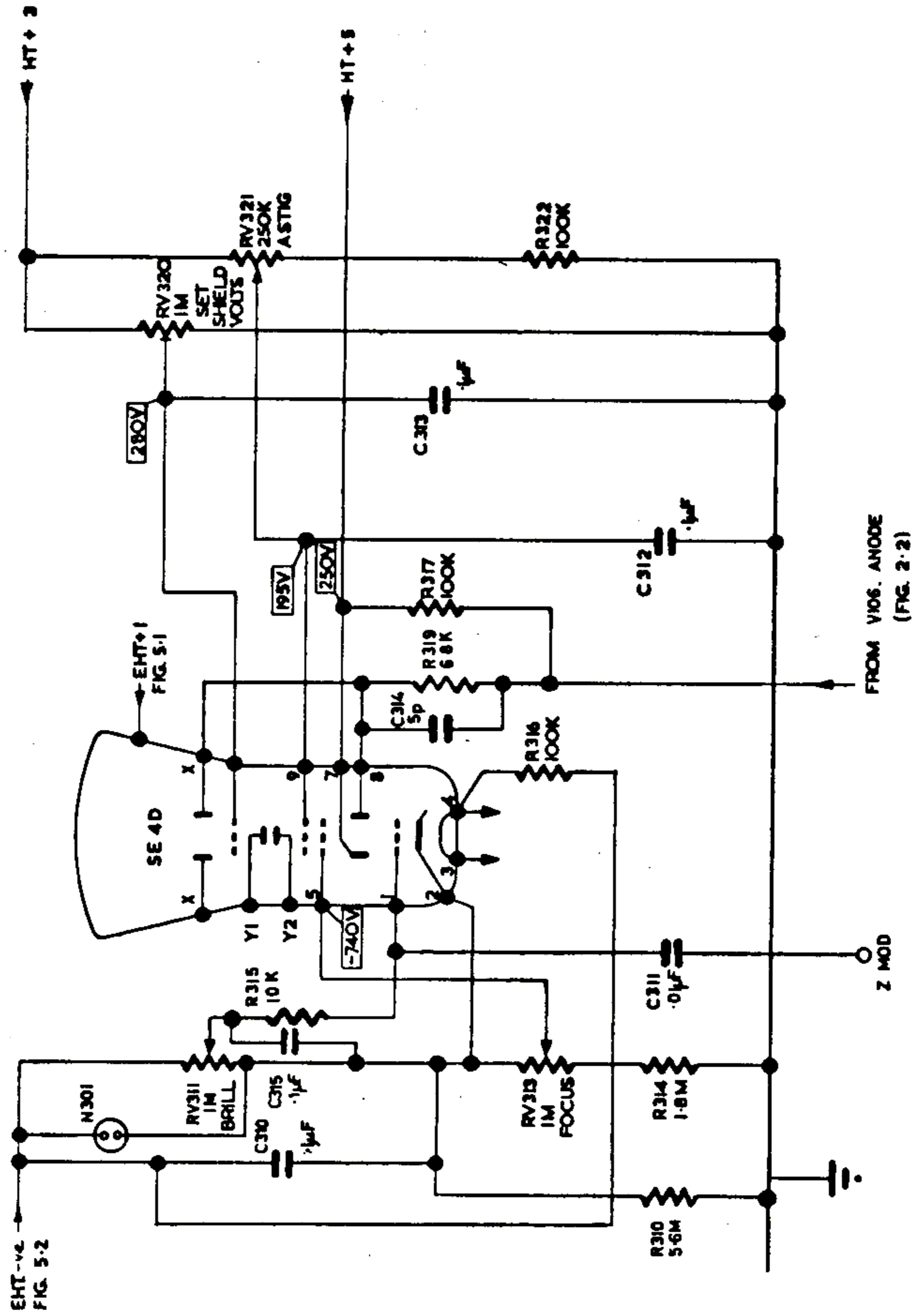


FIG. 4.1.

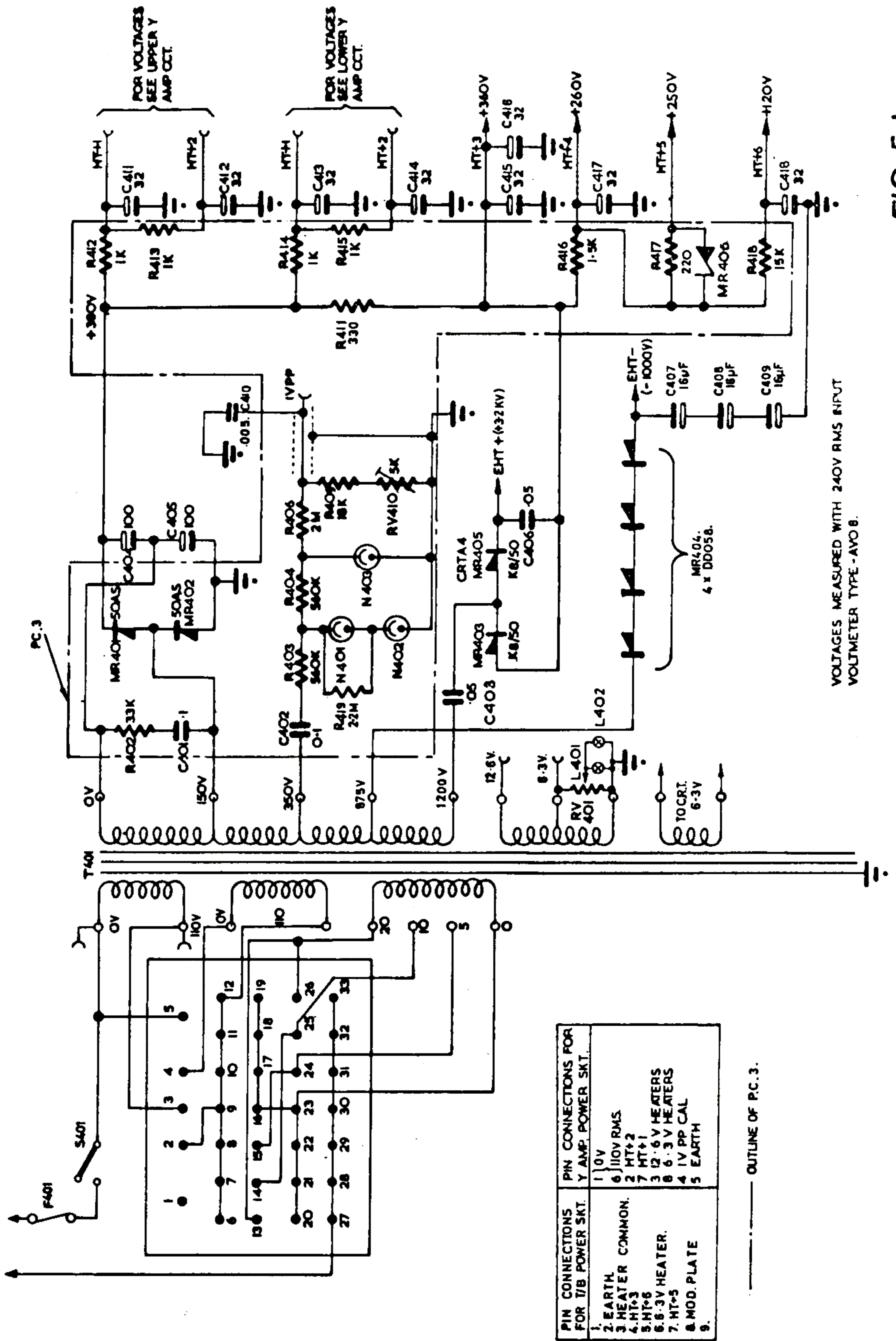
C.R.T. CIRCUIT

TYPE S43



POWER SUPPLY.

TYPE D43



PIN CONNECTIONS FOR 7/B POWER SKT.	PIN CONNECTIONS FOR Y AMP. POWER SKT.
1. EARTH	1 0V
2. HEATER COMMON.	6 110V RMS
3. HT+3	2 HT+2
4. HT+6	7 HT+1
5. 6.3V HEATER.	3 12.6V HEATERS
6. 3V HEATER.	8 6.3V HEATERS
7. MOD. PLATE	4 1V PP CAL
8.	5 EARTH
9.	

— OUTLINE OF P.C.3.

VOLTAGES MEASURED WITH 240V RMS INPUT
VOLTMETER TYPE-AVO 8.

FIG 5.1

POWER SUPPLY

TYPE S43

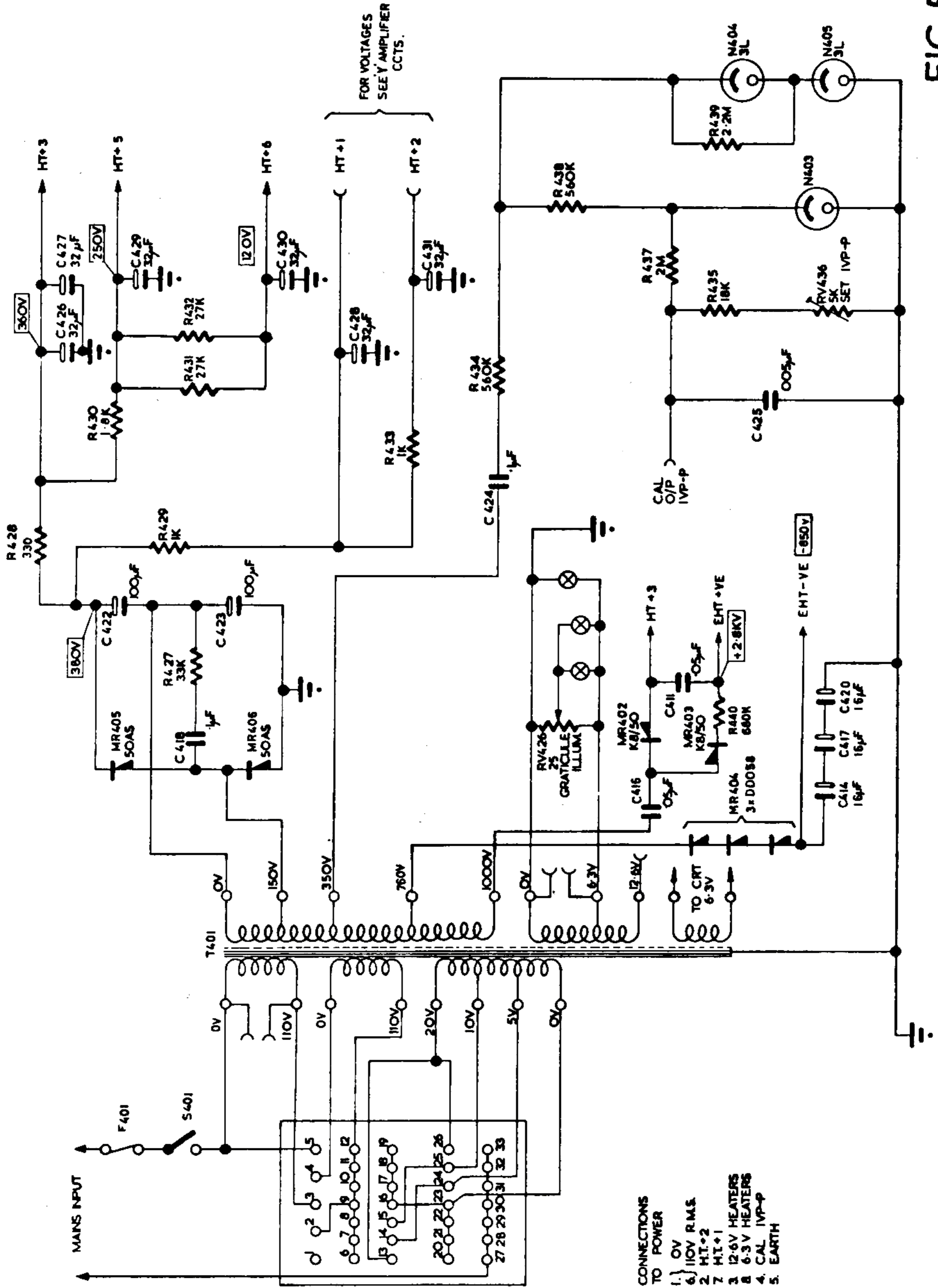


FIG. 5.2