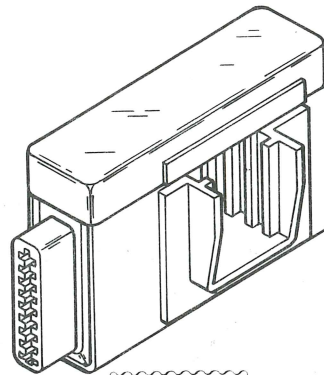


120-1102-00 CURRENT TRANSFORMER
For P6303/A6303



CAUTION

Read this entire Data Sheet and consult your Service Manual before proceeding to install the Replacement Transformer T5.

Any existing Resistor (R43) should be removed from the Circuit Board before installing the Replacement Transformer. An Offset Resistor (R43) will be included if required.

If a Resistor is supplied, it will be marked with A(+) or B(-). It should be installed in the Circuit Board as indicated in Diagram 1.

REPLACEABLE PARTS LIST

Fig. & Index No.	Tektronix Part No.	Serial/Model No. Eff Dscont	Qty	1	2	3	4	5	Name & Description	Mfr Code	Mfr Part Number
	120-1102-00		1						TRANSFORMER,CUR:TOP & BOTTOM	80009	120-1102-00
STANDARD ACCESSORIES											
	062-6508-00		1						DATA SHEET:P6303/A6303	80009	062-6508-00

CROSS INDEX—MFR. CODE NUMBER TO MANUFACTURER

Mfr. Code	Manufacturer	Address	City, State, Zip
80009	TEKTRONIX, INC.	P O BOX 500	BEAVERTON, OR 97077

NO. 062-6508-00
DATE APR 1982
COPYRIGHT 1982
TEKTRONIX, INC.
ALL RIGHTS RESERVED

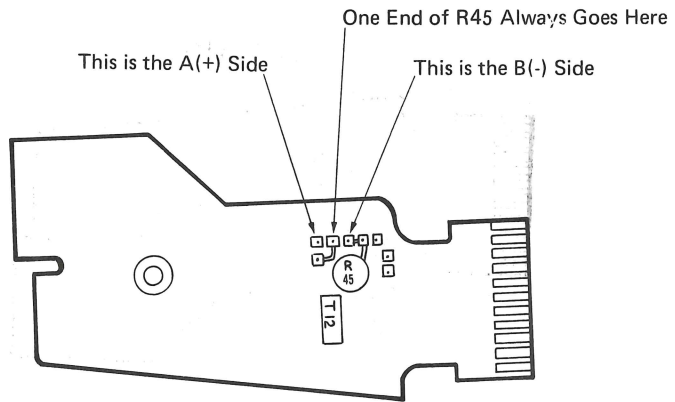


DIAGRAM 1

Should additional information be needed, consult your Service Manual and/or your nearest Tektronix Service Department.