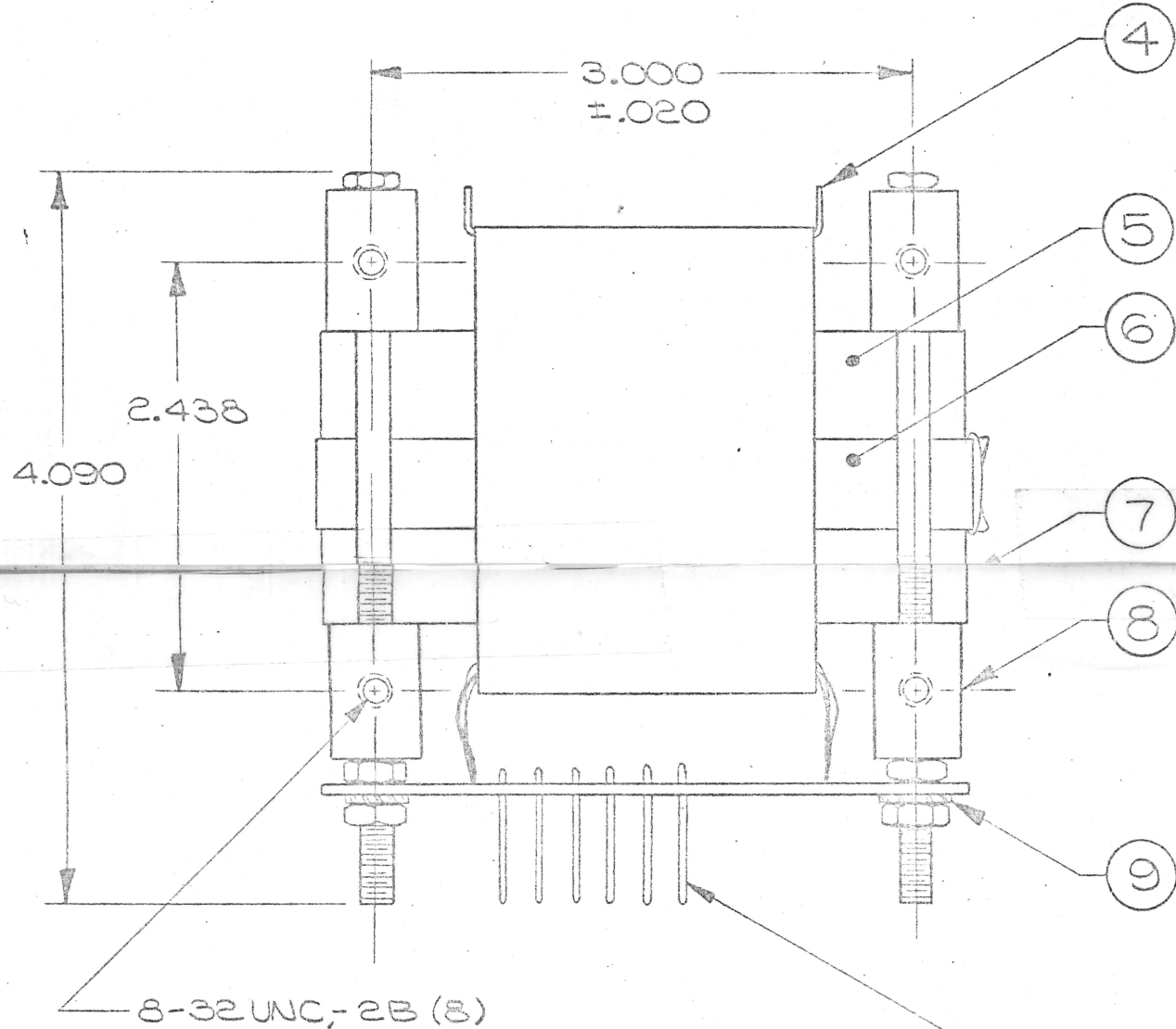
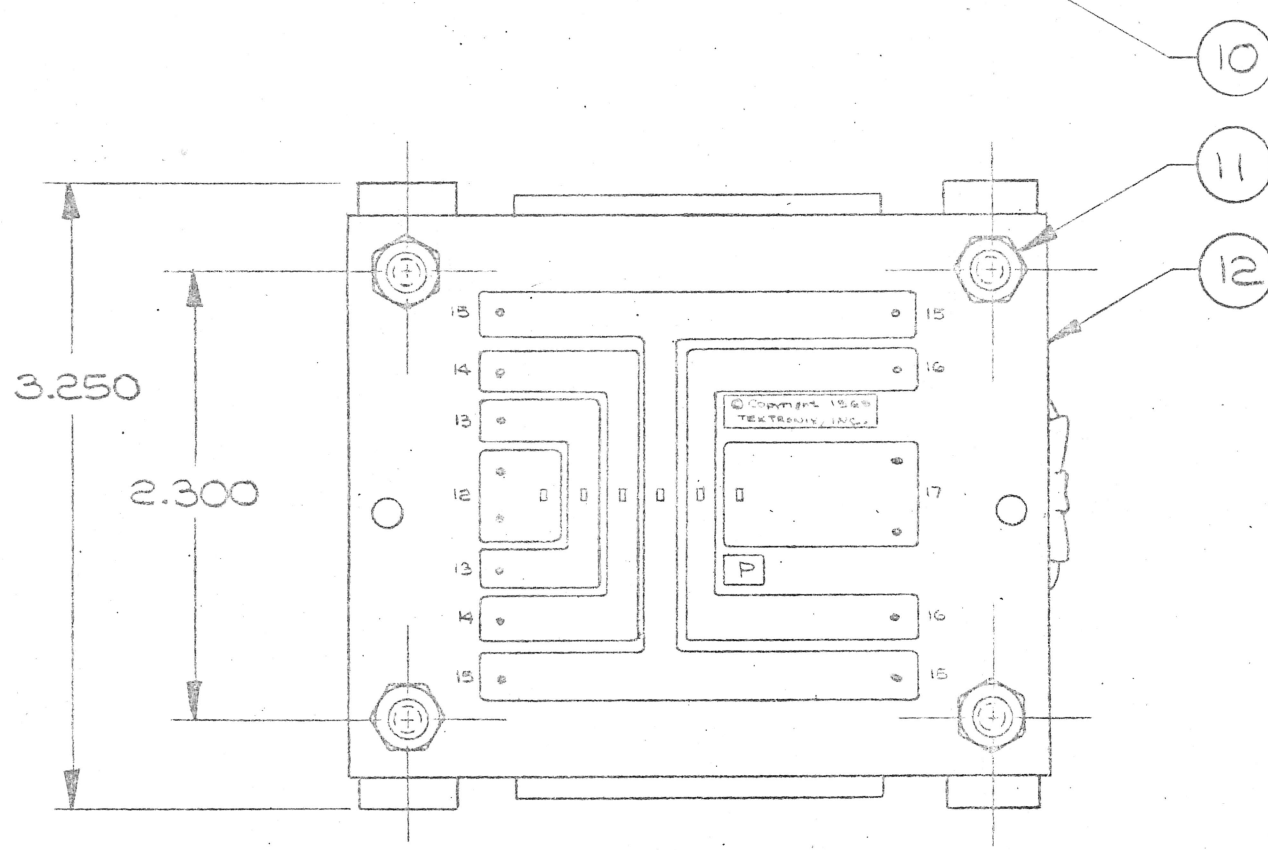


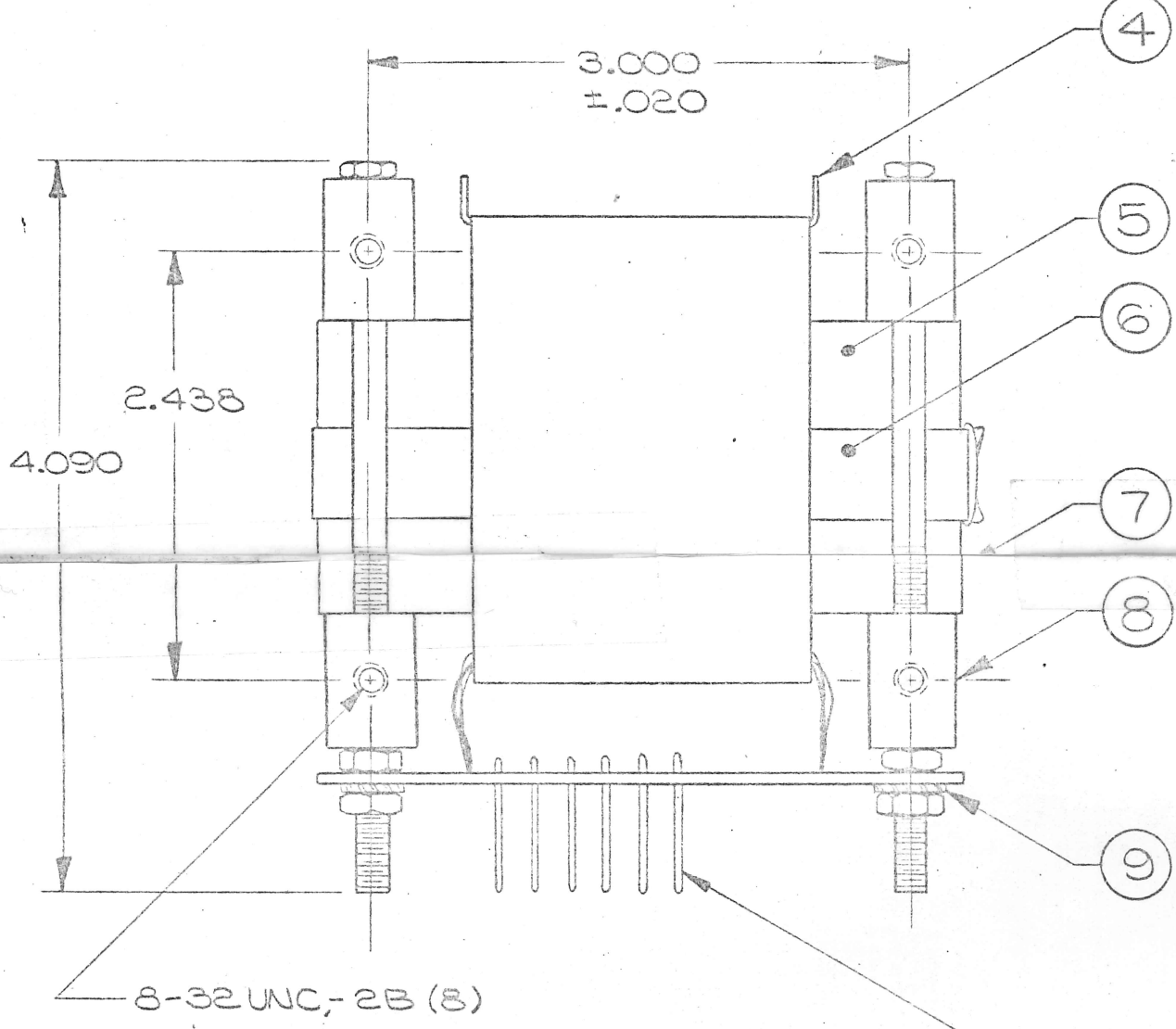
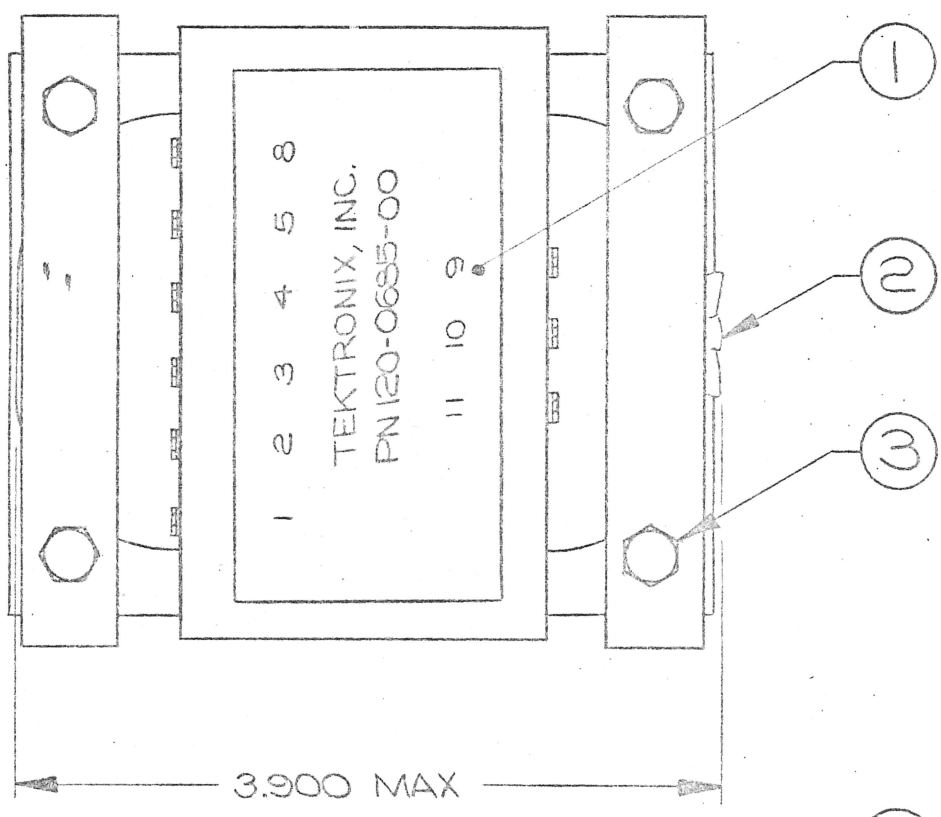
LINE TO 1-4 $\Delta$	CONNECTION
90V TO 121V	1 TO 8
105V TO 140V	1 TO 2
180V TO 242V	5 TO 8
210V TO 275V	2 TO 3



TERM NO	TURNS	WIRE SIZE	TYP R DCR ( $\Omega$ ) 20°C
1-5-3	$\emptyset$ -278-324T	#26	
2-8-4	$\emptyset$ -46-324T	#26	
9-10-11	$\emptyset$ -38-76T	2#30	
17	SHIELD		
14-15	50T	2#22	
15-16	50T	2#22	
12-13	25T	2#16	

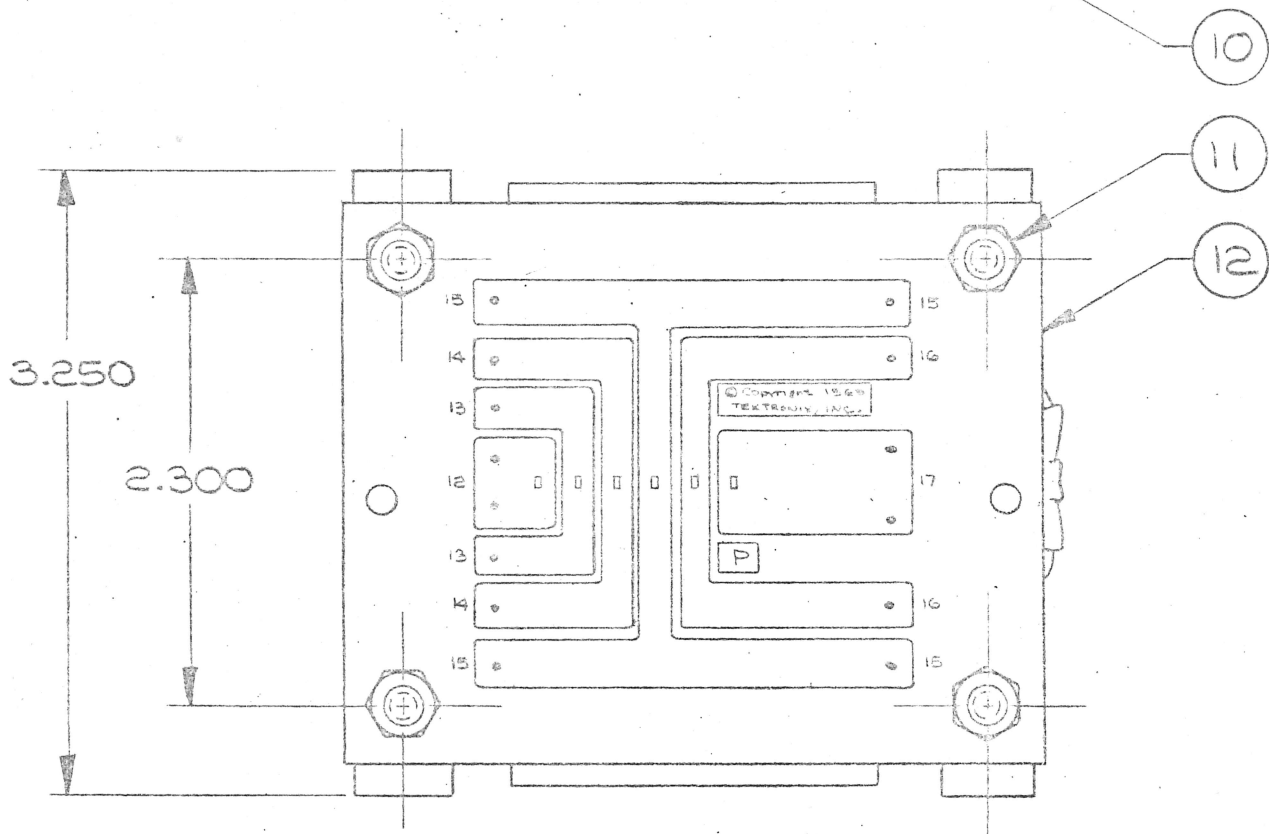


12	38
11	210
10	131
9	210
8	38
7	270
6	34
5	25
4	210
3	210
2	34
1	33
ITEM	



LINE TO 1-4	CONNECTION
90V TO 121V	1 TO 8
105V TO 140V	1 TO 2
180V TO 242V	5 TO 8
210V TO 275V	2 TO 3

TERM NO	TURNS	WIRE SIZE	DCR (Ω) 20°C	TYP R
1-5-3	Ø-278-324T	#26		
2-8-4	Ø-46-324T	#26		
9-10-11	Ø-38-76T	2#30		
17	SHIELD			
14-15	50T	2#22		
15-16	50T	2#22		
12-13	25T	2#16		



12	38
11	210
10	13
9	210
8	38
7	27
6	34
5	25
4	210
3	216
2	34
1	33
ITEM	