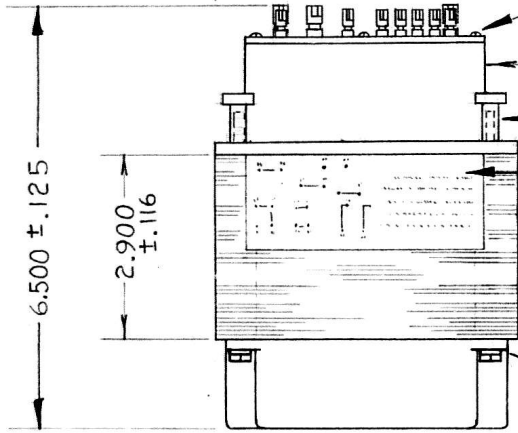
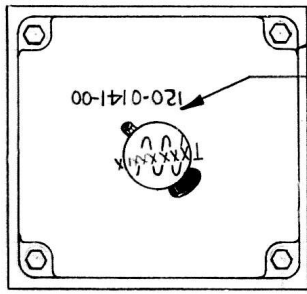


- TEM NUT 006-0146-00
- LARGE TERMINAL 129-0023-00
- SMALL TERMINAL 129-0024-00
- BOARD (B) 386-0983-00



- SCREW 4-40 x 5/16 213-0034-00
- RING - FINISH BLUE 354-0033-00
- BOLT 10-32 x 3 3/4 (A) 212-0543-00
- LABEL 334-0634-00
- LAMINATION 386-0015-00
- BOLT INSULATOR 166-0229-00
- FINISH - BLACK LACQUER 002-0607-00
- WASHER #10 FIBER 210-0812-00



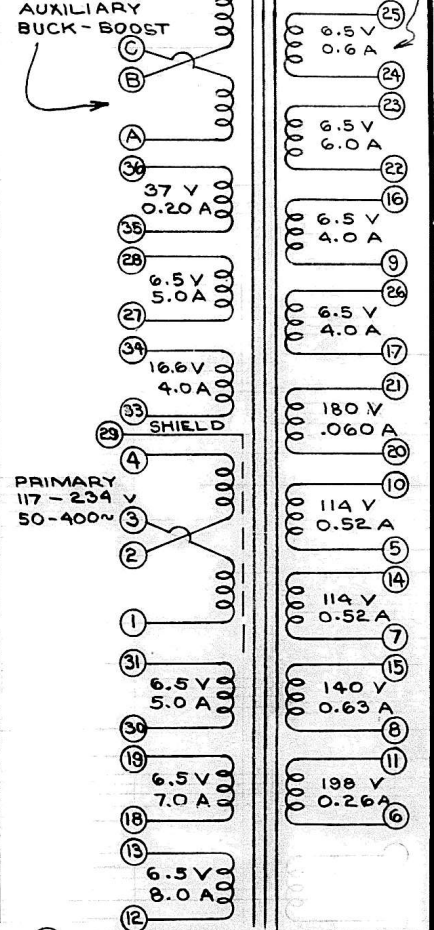
- COVER - FINISH BLUE 200-0044-00
- MARK PER MOCK-UP M-120-0141-00

COIL STRUCTURE

TYPE WINDING	TERM. NO.
(D) AUX. A-C 10T 2#21	AUX. B-D 10T 2#21
SEC. 12-13 10T 2#17	SEC. 18-19 10T 2#17
SEC. 17-26 10T#17	SEC. 9-16 10T#17
SEC. 22-23 10T 2#18	SEC. 24-25 10T#23
SEC. 35-36 58T #27	SEC. 33-34 26T #17
SECONDARY 10T 2#19	SEC. 27-28 10T 2#19
SECONDARY 20-21	280T #30
SECONDARY 5-10	(C) 177T #23
SECONDARY 7-14	(C) 177 #23
SECONDARY 8-15	219T #21
SECONDARY 6-11	309T #25
E.S. SHIELD 253-0024-00	29
PRIMARY 2-4	172 #18
PRIMARY 1-3	172T #18

INSIDE

VOLTAGE & CURRENT RATINGS ARE NOMINAL & VARY WITH LOAD & LINE VOLTAGE. ALL WINDINGS INSULATED FOR 600 VDC EXCEPT WHERE NOTED. INS. FOR 1350 VDC



(E) CUSTOMER SERVICE

REVISION	BY	DESCRIPTION OF CHANGE	DATE
(E)	B. MATTHEWS	ADDED CS	22 OCT 73
(D)	B. COGAN	RELOCATE WINDINGS A-C, B-D, & 35-36	8-23-65
(C)		UPDATE PART NOS.	7-22-65
(C)	BOB COGAN	177 (2) PLACES WAS 178 (2) PLACES &	
(B)	BC	386-983 WAS 386-939	11-28-62
(A)	SSG50	Remvd. 210-000 Washer, 212-543 was RHS	6-5-62

TEKTRONIX			
TEKTRONIX, INC. PORTLAND, OREGON, U.S.A.			
TITLE: TRANSFORMER, POWER			
MATERIAL: AS LISTED			
FINISH: AS NOTED			
ENGR: GS	BLANK SIZE:	TYPE: 585 XP	
CH. BY: RJC	DR. BY: P	SCALE: —	DATE: 6/26/61
TOLERANCE FRACTIONAL ±1/64 ANGLES ±2° UNLESS OTHERWISE SPECIFIED		PART NO: 120-0141-00	DWG. NO: B-