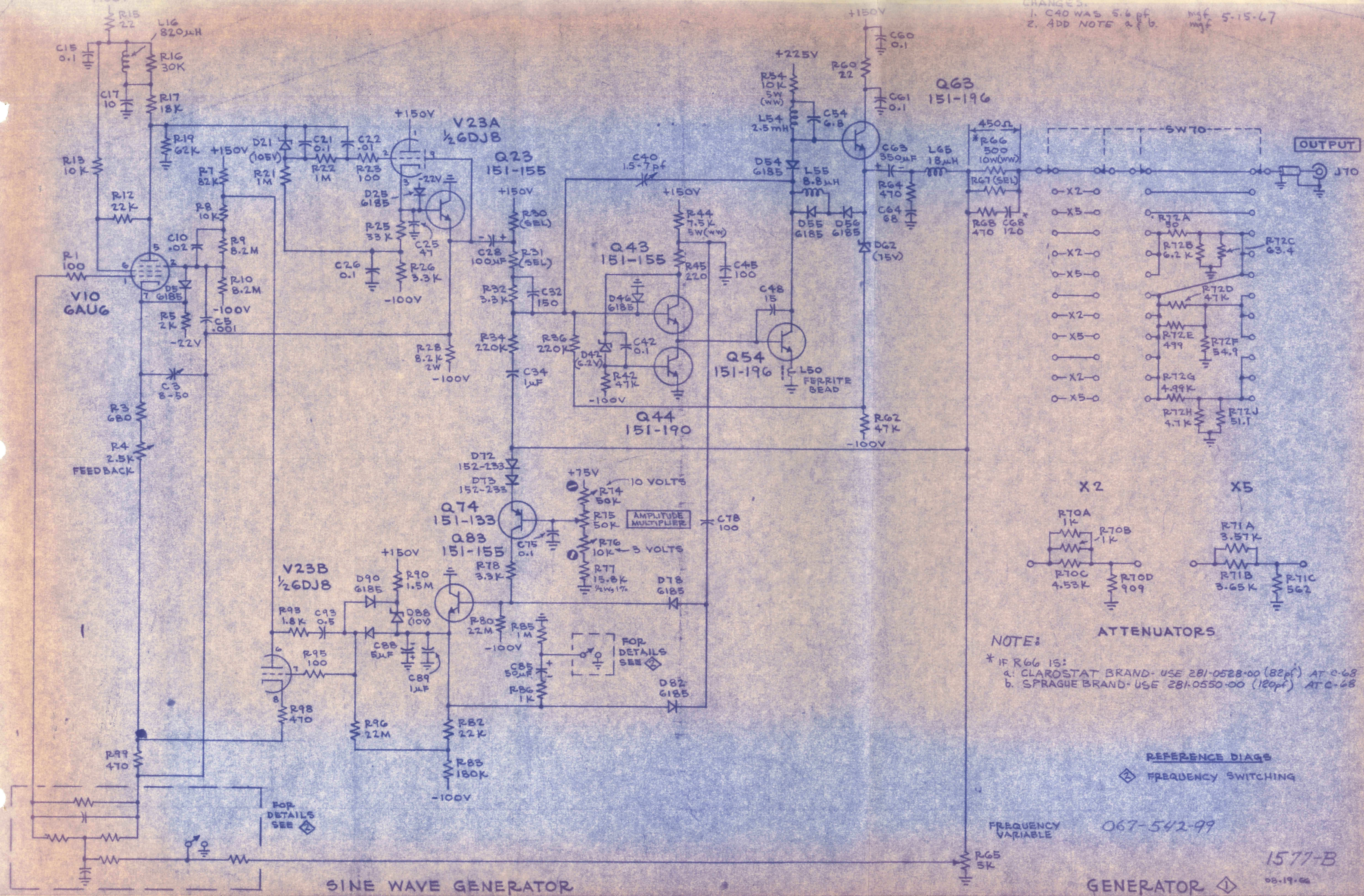
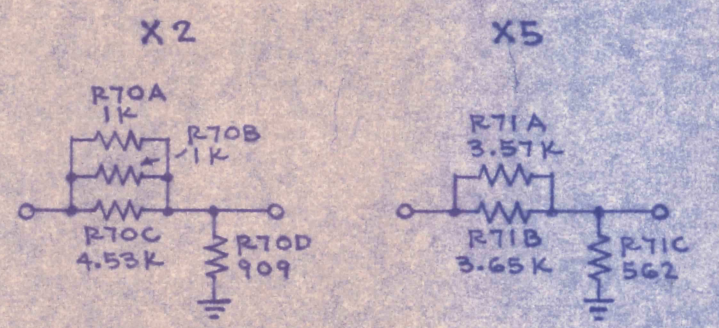


CHANGES:
 1. C40 WAS 5.6 pF
 2. ADD NOTE a & b.
 mfg 5-15-67



NOTE:
 * IF R66 IS:
 a. CLAROSTAT BRAND - USE 281-0528-00 (82pf) AT C-68
 b. SPRAGUE BRAND - USE 281-0550-00 (120pf) AT C-68

ATTENUATORS



REFERENCE DIAGS

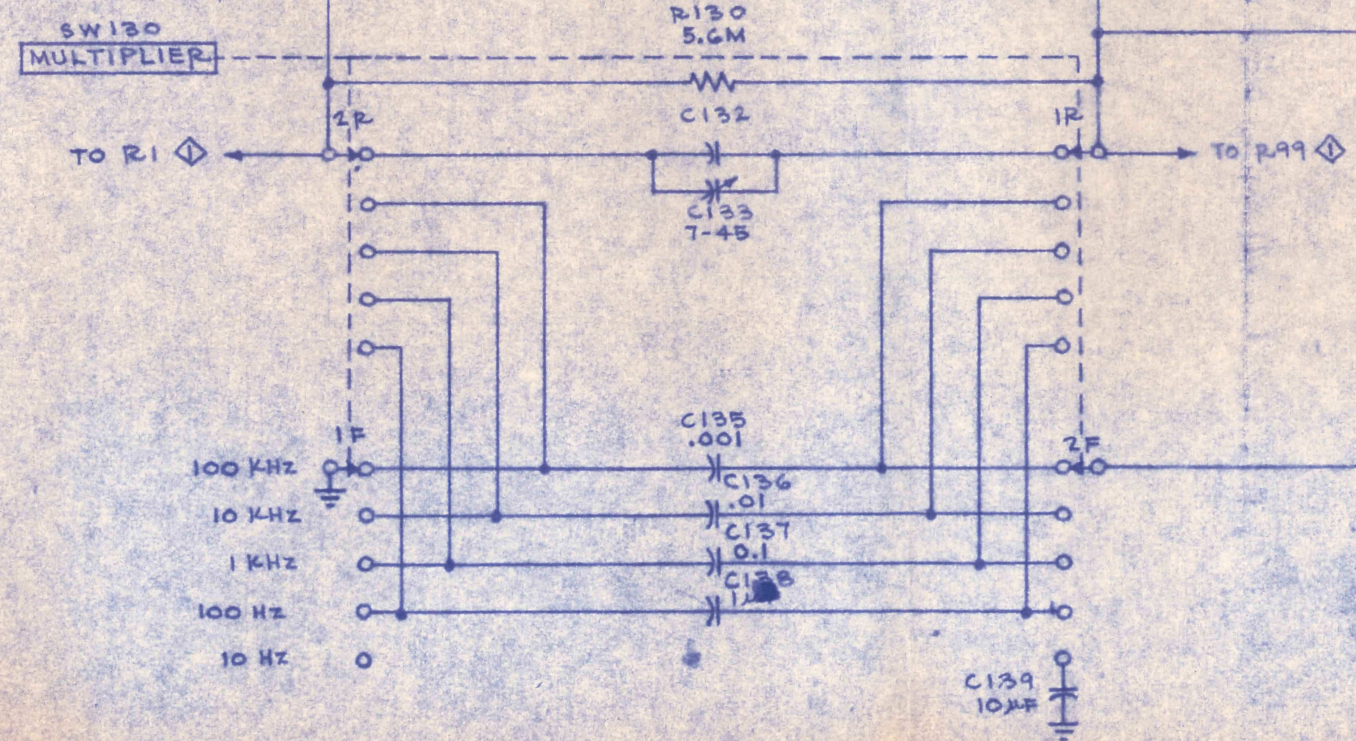
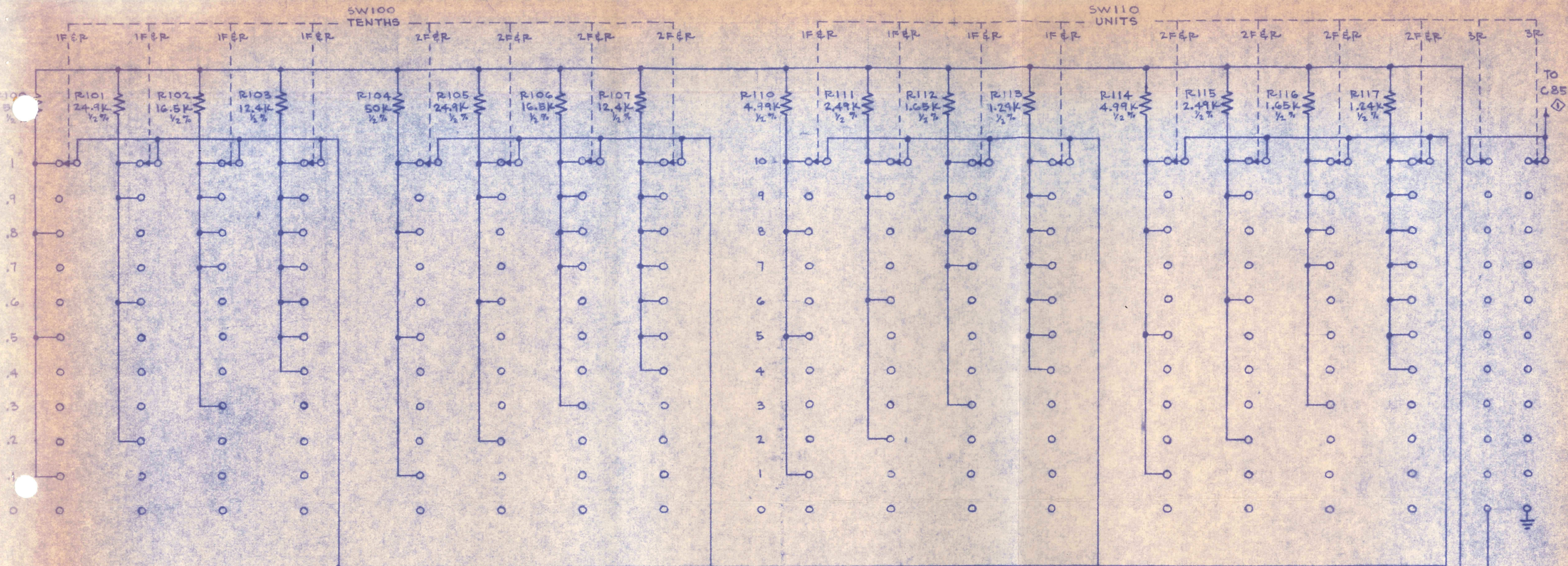
◊ FREQUENCY SWITCHING

FREQUENCY VARIABLE 067-542-99

GENERATOR ◊

1577-B

08.19.66

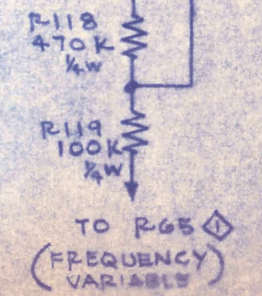


- 100 KHZ
- 10 KHZ
- 1 KHZ
- 100 HZ
- 10 HZ

REFERENCE DIAGS
 GENERATOR

067-542-99

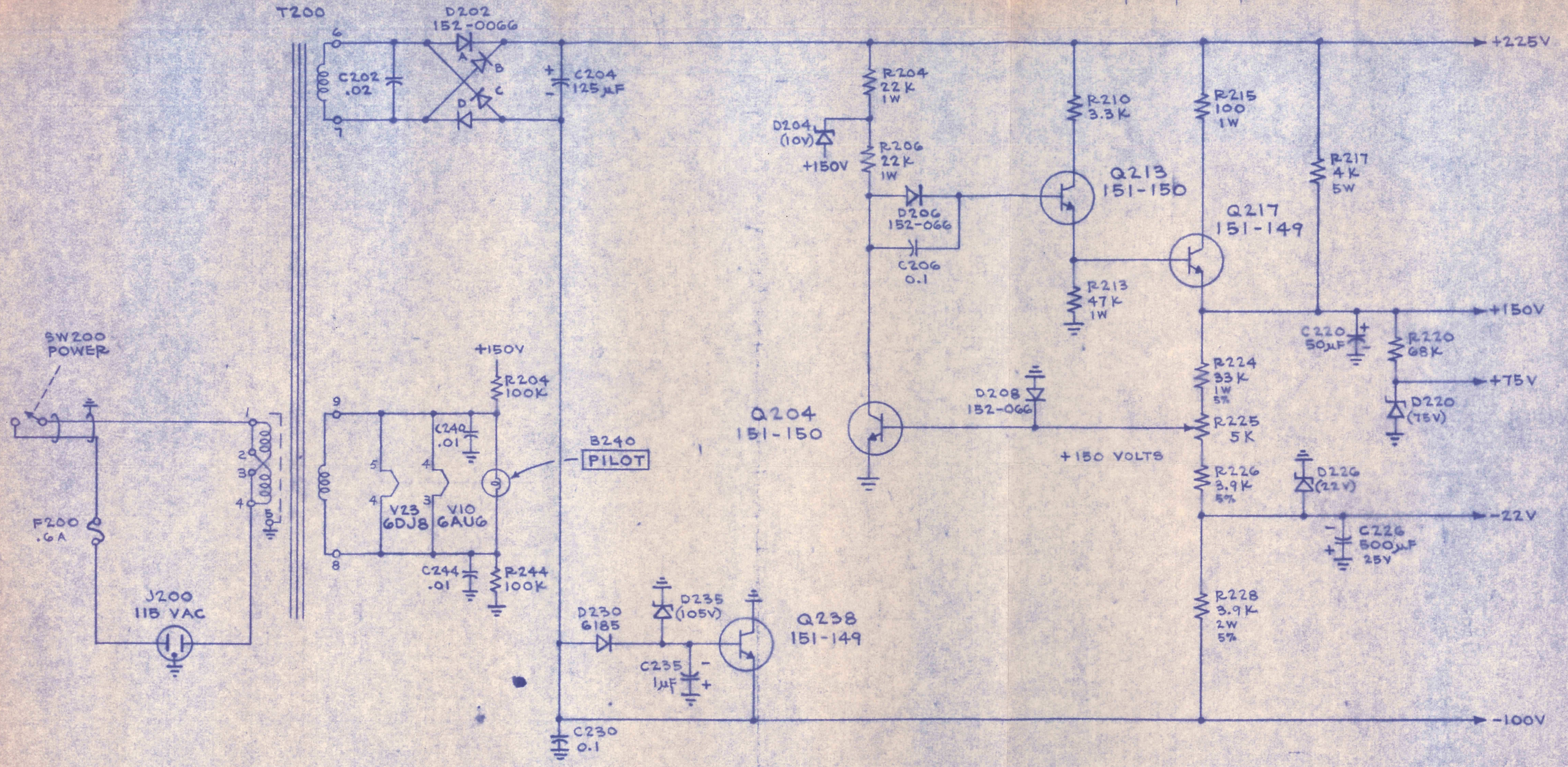
FREQUENCY SWITCHING



SINE WAVE GENERATOR

1578-B

mgf 5-18-67 (C202 WA .022 & R225 WAS 2.5K; XFORMER & FIL. OF V10 & V23 NUMBERING WRONG)



SINE WAVE GENERATOR

POWER SUPPLY ③
067-542-99

08-19-66

1579-B