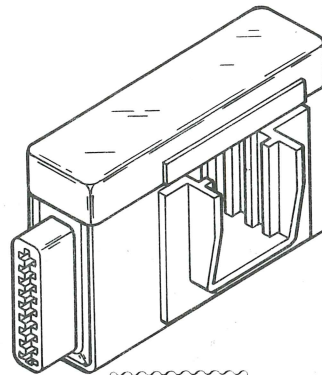


## 120-1102-00 CURRENT TRANSFORMER For P6303/A6303



**CAUTION**

Read this entire Data Sheet and consult your Service Manual before proceeding to install the Replacement Transformer T5.

Any existing Resistor (R43) should be removed from the Circuit Board before installing the Replacement Transformer. An Offset Resistor (R43) will be included if required.

If a Resistor is supplied, it will be marked with A(+) or B(-). It should be installed in the Circuit Board as indicated in Diagram 1.

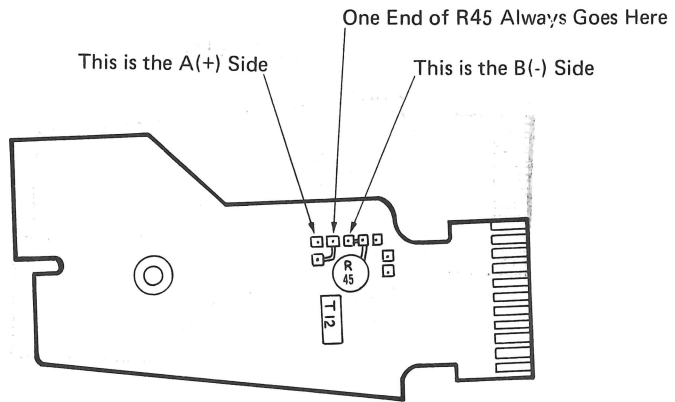
### REPLACEABLE PARTS LIST

| Fig. & Index No.     | Tektronix Part No. | Serial/Model No. |        | Qty | 1 | 2 | 3 | 4 | 5 | Name & Description           | Mfr Code | Mfr Part Number |
|----------------------|--------------------|------------------|--------|-----|---|---|---|---|---|------------------------------|----------|-----------------|
|                      |                    | Eff              | Dscont |     |   |   |   |   |   |                              |          |                 |
|                      | 120-1102-00        |                  |        | 1   |   |   |   |   |   | TRANSFORMER,CUR:TOP & BOTTOM | 80009    | 120-1102-00     |
| STANDARD ACCESSORIES |                    |                  |        |     |   |   |   |   |   |                              |          |                 |
|                      | 062-6508-00        |                  |        | 1   |   |   |   |   |   | DATA SHEET:P6303/A6303       | 80009    | 062-6508-00     |

### CROSS INDEX—MFR. CODE NUMBER TO MANUFACTURER

| Mfr. Code | Manufacturer    | Address     | City, State, Zip    |
|-----------|-----------------|-------------|---------------------|
| 80009     | TEKTRONIX, INC. | P O BOX 500 | BEAVERTON, OR 97077 |

|   |             |
|---|-------------|
| NO.   | 062-6508-00 |
| DATE  | APR 1982    |
| <small>COPYRIGHT 1982<br/>TEKTRONIX, INC.<br/>ALL RIGHTS RESERVED</small> |             |



**DIAGRAM 1**

Should additional information be needed, consult your Service Manual and/or your nearest Tektronix Service Department.