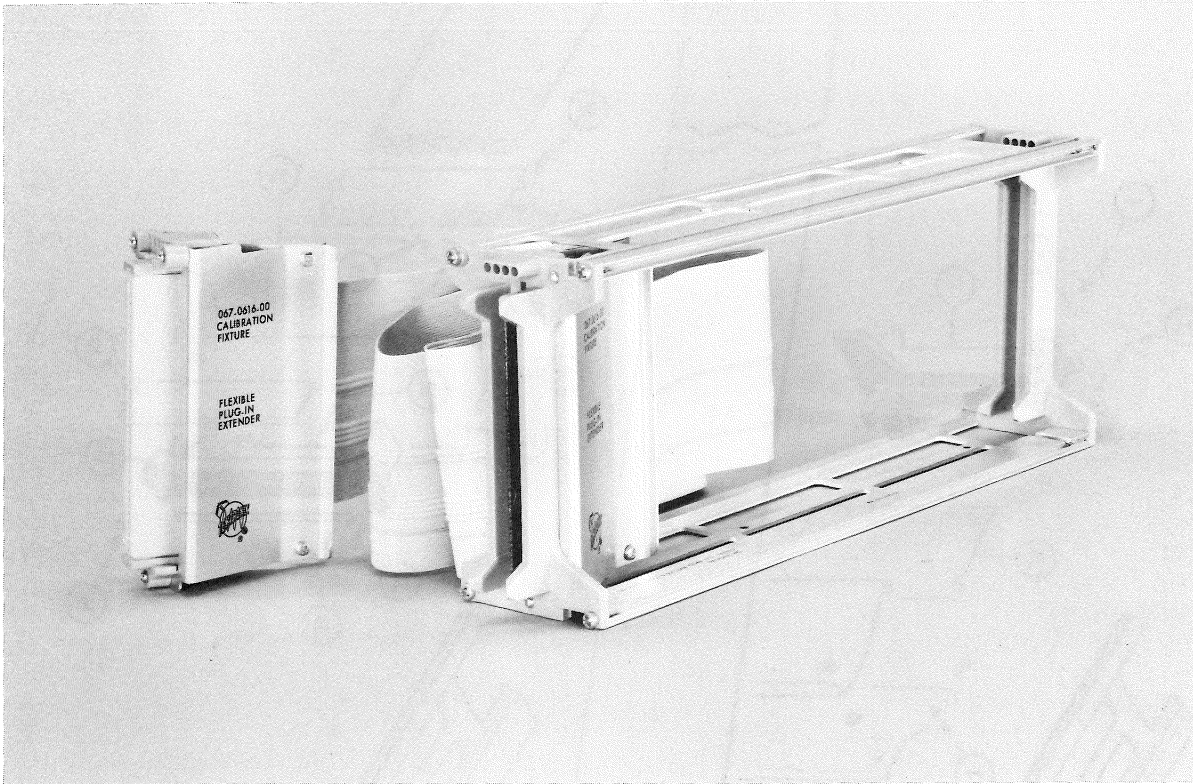


067-0616-00 CALIBRATION FIXTURE

Flexible Extender for 7000 Series Plug-Ins



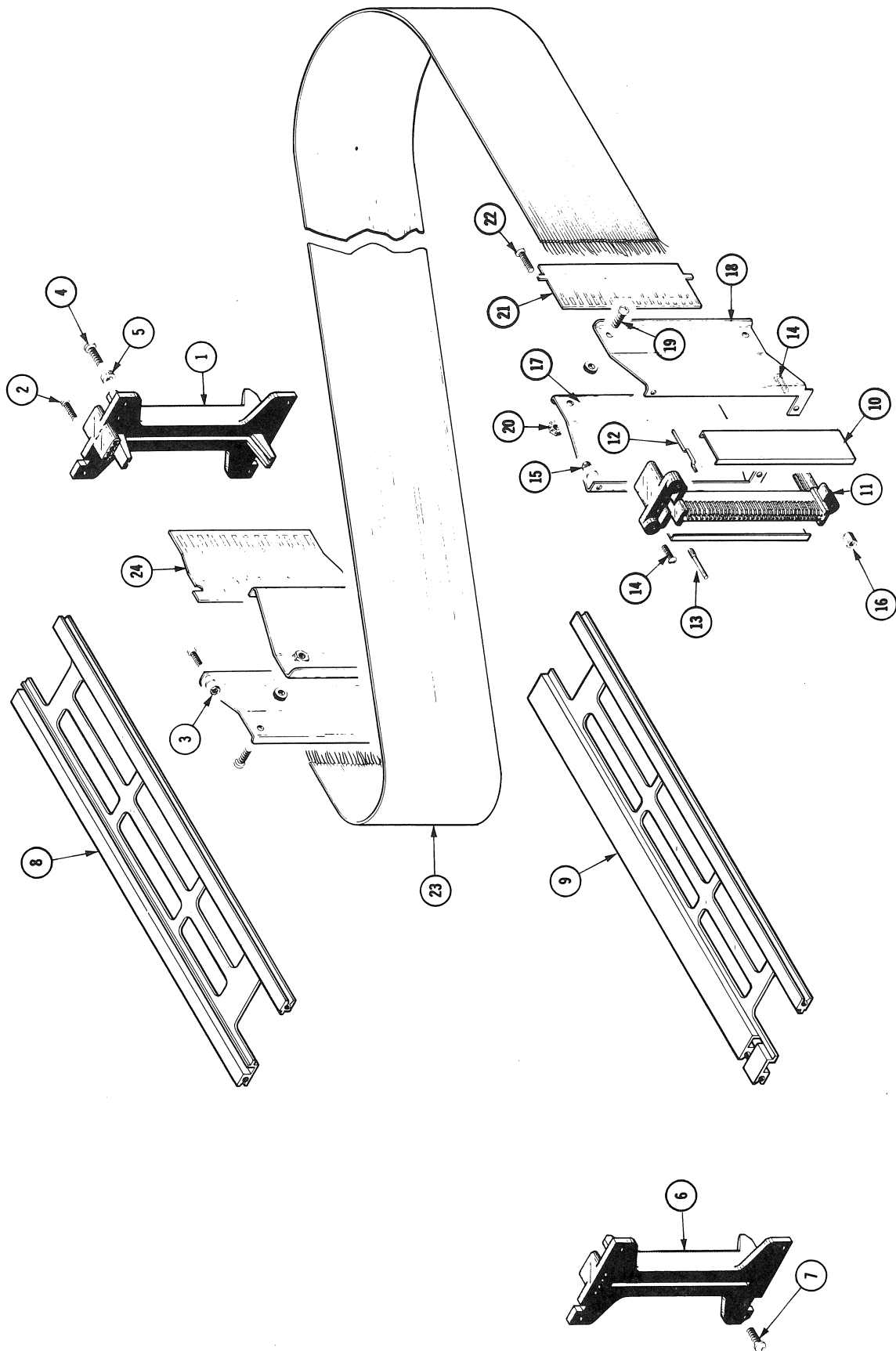
The 067-0616-00 Flexible Extender is designed for use with 7000-Series instruments to facilitate trouble-shooting and calibration of 7000-Series Plug-In Units on the bench.

The Extender is primarily intended for use with 7000-Series Sampling Plug-ins but it can also be used with any 7000-Series Plug-in to facilitate trouble-shooting, providing the user recognizes and accepts the possible bandwidth-limiting effects of the extension cable.

The Extender can also be used to place an adjacent plug-in out of the way on the bench while the affected plug-in is being worked on in the mainframe. For example: The 7A12 Dual-Channel Amplifier can be adjusted while in the mainframe if the timebase is placed out of the way on the Flexible Extender.



EXPLODED



MECHANICAL PARTS LIST

Fig. & Index No.	Tektronix Part No.	Serial/Model No. Eff Disc	Q					Description	
			†	Y	1	2	3		4
	067-0616-00		1						CALIBRATION FIXTURE, plug-in extender
	- - - - -		-						calibration fixture includes:
1	386-1402-01		1						PANEL, rear
	- - - - -		-						mounting hardware: (not included w/panel)
2	211-0159-00		3						SCREW, 2-56 x 0.375 inch, PHS
	210-0001-00		3						WASHER, lock, internal, #2
3	210-0405-00		3						NUT, hex. 2-56 x 0.188 inch
4	213-0192-00		4						SCREW, thread forming, 6-32 x 0.50 inch,
	- - - - -		-						Fil HS
5	361-0326-00		1						SPACER, sleeve, 0.10 inch long
	- - - - -		-						
6	386-1402-02		1						PANEL, rear
	- - - - -		-						mounting hardware: (not included w/panel)
7	213-0192-00		4						SCREW, thread forming, 6-32 x 0.50 inch,
	- - - - -		-						Fil HS
	- - - - -		-						
8	426-0505-04		1						FRAME SECTION, top
9	426-0499-12		1						FRAME SECTION, bottom
	131-0767-01		1						CONNECTOR, receptacle, 76 contacts
	- - - - -		-						connector includes:
10	200-0950-00		2						COVER, plastic
11	204-0365-00		1						BODY, plastic
12	131-0726-04		4						CONTACT SET, 19 contacts each set
13	105-0224-00		1						STOP, plug-in
	- - - - -		-						mounting hardware: (not included w/
	- - - - -		-						connector)
14	211-0034-00		3						SCREW, 2-56 x 0.50 inch, PHS
	210-0001-00		2						WASHER, lock, internal, #2
15	210-0405-00		2						NUT, hex., 2-56 x 0.188 inch
16	129-0157-00		1						POST, 0.23 inch long
	- - - - -		-						
17	E337-1376-00		2						SHIELD, electrical, circuit board
	- - - - -		-						connector, left
18	E337-1377-00		2						SHIELD, electrical, circuit board
	- - - - -		-						connector, right
	- - - - -		-						mounting hardware for each: (not included
	- - - - -		-						w/shield)
19	211-0008-00		2						SCREW, 4-40 x 0.25 inch, PHS
	210-0849-00		2						WASHER, shouldered, #4
20	210-0586-00		2						NUT, keps, 4-40 x 0.25 inch
	- - - - -		-						
21	388-1759-00		1						CIRCUIT BOARD, plug-in end
	- - - - -		-						mounting hardware: (not included w/
	- - - - -		-						circuit board)
22	211-0098-00		1						SCREW, 4-40 x 0.375 inch CHS
	- - - - -		-						
23	E175-1189-00		ft						CABLE, special purpose, ribbon 40 inches
	- - - - -		-						long

MECHANICAL PARTS LIST(cont)

Fig. & Index No.	Tektronix Part No.	Serial/Model No. Eff	No. Disc	Q					Description	
				Y	1	2	3	4		5
24	388-1760-00			1						CIRCUIT BOARD, oscilloscope end
	- - - - -			-						mounting hardware: (not included
	211-0098-00			1						w/circuit board)
										SCREW, 4-40 x 0.375 inch, CHS