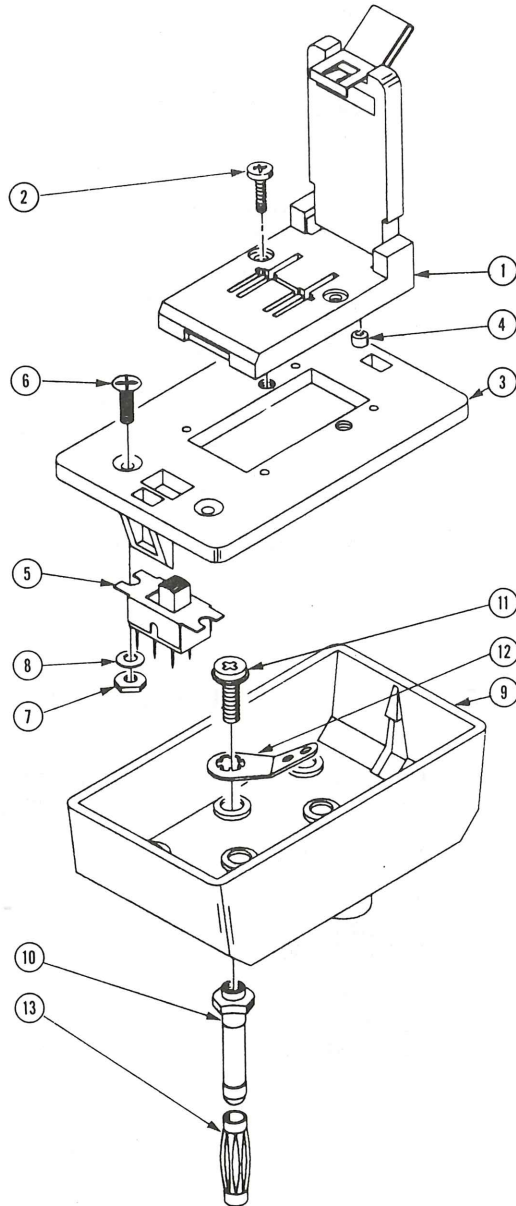


**A1023 for 370, 371, 576 & 577
SOT23 ADAPTER**



NO.	062-9587-00
DATE	FEB 1989
Copyright © 1989 Tektronix, Inc. All rights reserved	

Replaceable Parts - A1023

Fig. & Index No.	Tektronix Part No.	Serial/Assembly No. Effective Dscont	Qty	12345 Name & Description	Mfr. Code	Mfr. Part No.
1-1	136-1064-01		1	SKT, PL-IN ELEK: TRANSISTOR TEST SOCKET, SOT23 /MTG HOLES (ATTACHING PARTS)	80009	136-1064-01
-2	211-0088-00		2	SCREW, MACHINE: 2-56 X 0.281, FLH, 82 DEG, STL (END ATTACHING PARTS)	TK0435	ORDER BY DESCR
-3	200-3186-02		1	COVER, ADAPTER: PLASTIC	80009	200-3186-02
-4	276-0507-00		6	SHLD BEAD, ELEK: FERRITE	02114	56-590-65B/3B
-5	260-1470-00		1	SWITCH, SLIDE: DPDT, 0.5A, 125VAC (ATTACHING PARTS)	10389	23-021-309
-6	211-0088-00		2	SCREW, MACHINE: 2-56 X 0.281, FLH, 82 DEG, STL	TK0435	ORDER BY DESCR
-7	210-0405-00		2	NUT, PLAIN, HEX: 2-56 X 0.188, BRS CD PL	73743	12157-50
-8	210-1008-00		2	WASHER, FLAT: 0.09 ID X 0.188 OD X 0.02, BRS (END ATTACHING PARTS)	12327	ORDER BY DESCR
-9	202-0201-01		1	BOX, TEST ADPTR: 2.205 X 1.6 X 0.64	80009	202-0201-01
-10	131-3576-00		3	CONTACT, ELEC: 0.25 DIA, BRASS (ATTACHING PARTS)	80009	131-3576-00
-11	211-0292-00		3	SCR, ASSEM WSHR: 4-40 X 0.29, PNH, BRS NI PL	78189	51-040445-01
-12	210-0201-00		3	TERMINAL, LUG: 0.12 ID, LOCKING, BRZ TIN PL (END ATTACHING PARTS)	86928	A373-157-2
-13	214-3790-00		3	SPRING, CONTACT: 0.470 L, CU BE	80009	214-3790-00
				STANDARD ACCESSORIES		
	062-9587-00		1	DATA SHEET: A1023 SOT-23 ADAPTER	80009	062-9587-00

CROSS INDEX - MFR. CODE NUMBER TO MANUFACTURER

Mfr. Code	Manufacturer	Address	City, State, Zip Code
02114	AMPEREX ELECTRONIC CORP FERROXCUBE DIV	5083 KINGS HWY	SAUGERTIES NY 12477
10389	LICON DIV OF ILLINOIS TOOL WORKS INC	1714 N DAMEN AVE	CHICAGO IL 60647-5509
12327	FREEWAY CORP	9301 ALLEN DR	CLEVELAND OH 44125-4632
73743	FISCHER SPECIAL MFG CO	111 INDUSTRIAL RD	COLD SPRING KY 41076-9749
78189	ILLINOIS TOOL WORKS INC SHAKEPROOF DIV	ST CHARLES ROAD	ELGIN IL 60120
80009	TEKTRONIX INC	14150 SW KARL BRAUN DR PO BOX 500	BEAVERTON OR 97077-0001
86928	SEASTROM MFG CO INC	701 SONORA AVE	GLENDALE CA 91201-2431
TK0435	LEWIS SCREW CO	4300 S RACINE AVE	CHICAGO IL 60609-3320