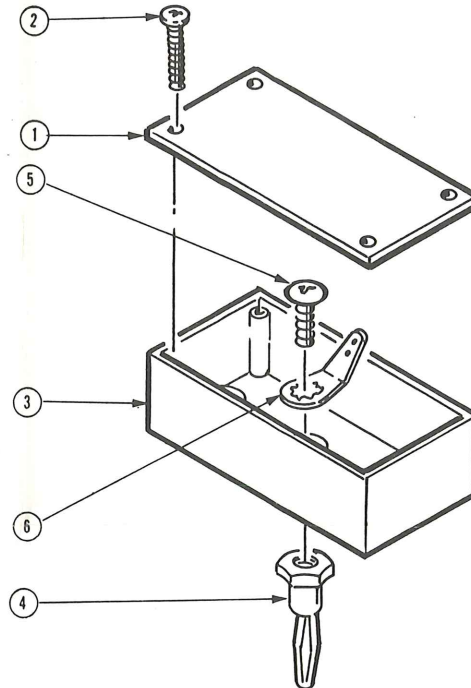


TEST ADAPTER for 575,576,577,5CT1N,7CT1N
Part No. 013-0073-00



CROSS INDEX - MFR. CODE NUMBER TO MANUFACTURER

Mfr. Code	Manufacturer	Address	City, State, Zip Code
74970	JOHNSON E F CO	299 10TH AVE S W	WASECA MN 56093-2539
80009	TEKTRONIX INC	14150 SW KARL BRAUN DR PO BOX 500	BEAVERTON OR 97077-0001
86928	SEASTROM MFG CO INC	701 SONORA AVE	GLENDALE CA 91201-2431
93907	TEKTRON INC CAMCAR DIV	600 18TH AVE	ROCKFORD IL 61108-5181

Fig. & Index No.	Tektronix Part No.	Serial/Assembly No. Effective Dscnt	Qty	12345 Name & Description	Mfr. Code	Mfr. Part No.
1-1	200-0402-00		1	COVER,SKT ADPTR: (ATTACHING PARTS)	80009	200-0402-00
-2	213-0113-00		4	SCREW,TPG,TF:2-32 X 0.312,TYPE B,PNH,STL (END ATTACHING PARTS)	93907	ORDER BY DESCR
-3	202-0118-00		1	HSG,SKT ADAPTER:2.0 X 0.606 X 1.0,NYLON,BLK	80009	202-0118-00
-4	134-0013-00		3	PLUG,TIP:BANANA,6-32 INT THD END (ATTACHING PARTS)	74970	108-753-17
-5	211-0537-00		3	SCREW,MACHINE:6-32 X 0.375,TRH,STL (END ATTACHING PARTS)	93907	ORDER BY DESCR
-6	210-0202-00		3	TERMINAL,LUG:0.146 ID,LOCKING,BRZ TIN PL	86928	A-373-158-2
				STANDARD ACCESSORIES		
	061-0785-00		1	DATA SHEET:	80009	061-0785-00

NO. 061-0785-00
DATE JAN 1990(R)
COPYRIGHT © 1963
TEKTRONIX, INC.
ALL RIGHTS RESERVED

