

DESCRIPTION

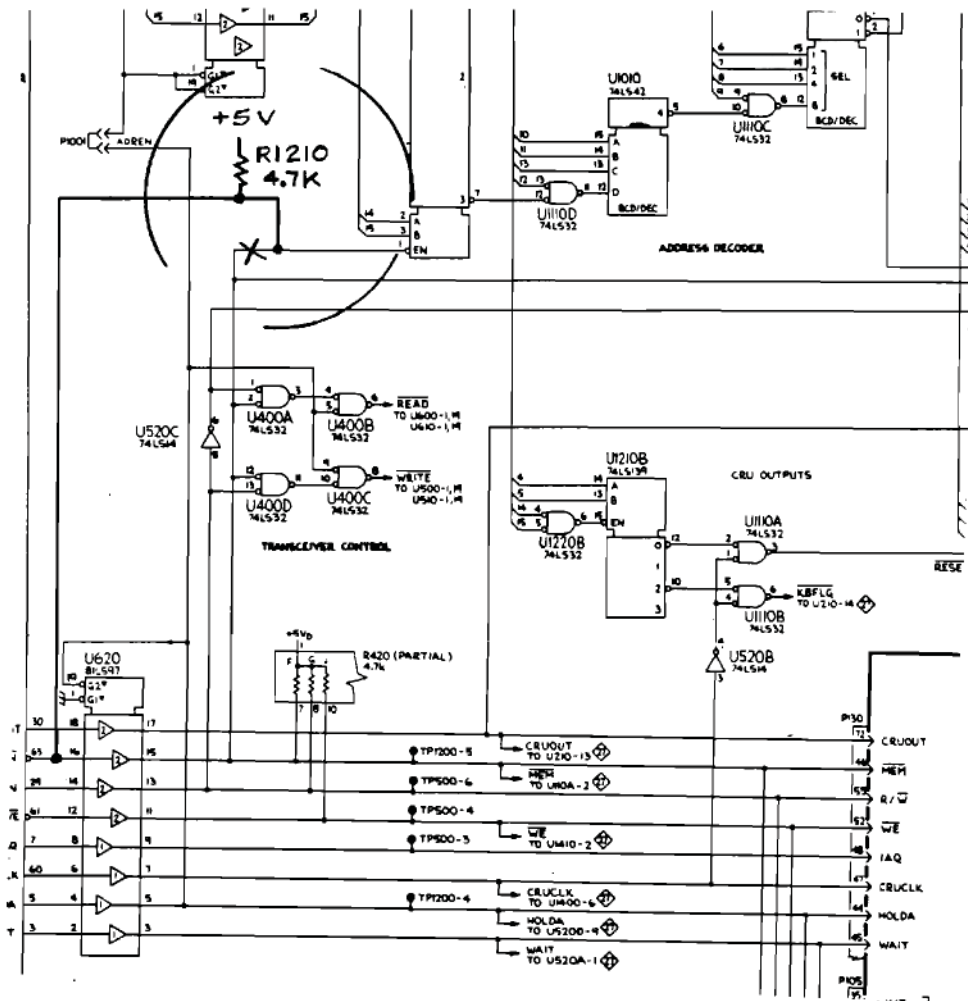
EFF SN B030690

REPLACEABLE ELECTRICAL PARTS LIST AND SCHEMATIC CHANGES

ADD:

A27R1210 315-0472-00 RES., FXD, CMPSN: 4.7K OHM, 5%, 0.25W

DIAGRAM 28 Microprocessor and Control - Partial



Date: 8-18-81 Change Reference: M44153

Product: 7854 SERVICE Manual Part No.: 070-2874-01

DESCRIPTION

EFF SN B031000

REPLACEABLE ELECTRICAL PARTS AND SCHEMATIC CHANGES

CHANGE TO:

A26 670-5846-03 CKT BOARD ASSY:CONTROL LOGIC

A26C1330 281-0763-00 CAP.,FXD,CER DI:47PF,10%,100V

C1330 is located on the CONTROL LOGIC circuit board assembly and is shown on diagram 21 DIGITIZER CONTROL LOGIC.

DESCRIPTION

EFF SN B031170

TEXT CHANGES

Page 2-42 Third paragraph

CHANGE TO READ:

Operation of the left Active Peaking circuit is identical to that described above for the right Active Peaking circuit. Transistor Q63, along with resistors R53, R55, R56 and R57; provide proper biasing of Q61 and Q62 with changes in temperature.

Page 4-68 Step E3, part n.

CHANGE TO READ:

n. ADJUST -- 1 ns timing with the HF Adj capacitor C32 and (for SN B031170 & up) HF Adj resistor R32 (located on Horizontal Amplifier Board A17) for one timemark per division over the center 8 divisions of the display (position as necessary).

Page 4-69 Step E3, part q.

CHANGE TO READ:

q. ADJUST -- If necessary, compromise the setting of the HF Adj capacitor, C32 and (for SN B031170 & up) HF Adj resistor R32, for optimum 1-ns and 500-ps timing.

REPLACEABLE ELECTRICAL PARTS LIST AND SCHEMATIC CHANGES

CHANGE TO:

A17	670-5833-01	CKT BOARD ASSY:HORIZONTAL OUTPUT
A17R32	311-0978-00	RES.,VAR, NONWW:250 OHM, 0.5W
A17R59	321-0275-00	RES.,FXD,FILM:7.15K OHM,1%,0.125W
A17R159	321-0264-00	RES.,FXD,FILM:5.49K OHM,1%,0.125W

REMOVE:

A17CR44	152-0141-02	SEMICONV DEVICE:SILICON,30V,150MA
A17CR45	152-0141-02	SEMICONV DEVICE:SILICON,30V,150MA
A17CR159	152-0141-02	SEMICONV DEVICE:SILICON,30V,150MA
A17CR160	152-0141-02	SEMICONV DEVICE:SILICON,30V,150MA
A17R44	315-0123-00	RES.,FXD,CMPSN:12K OHM,5%,0.25W

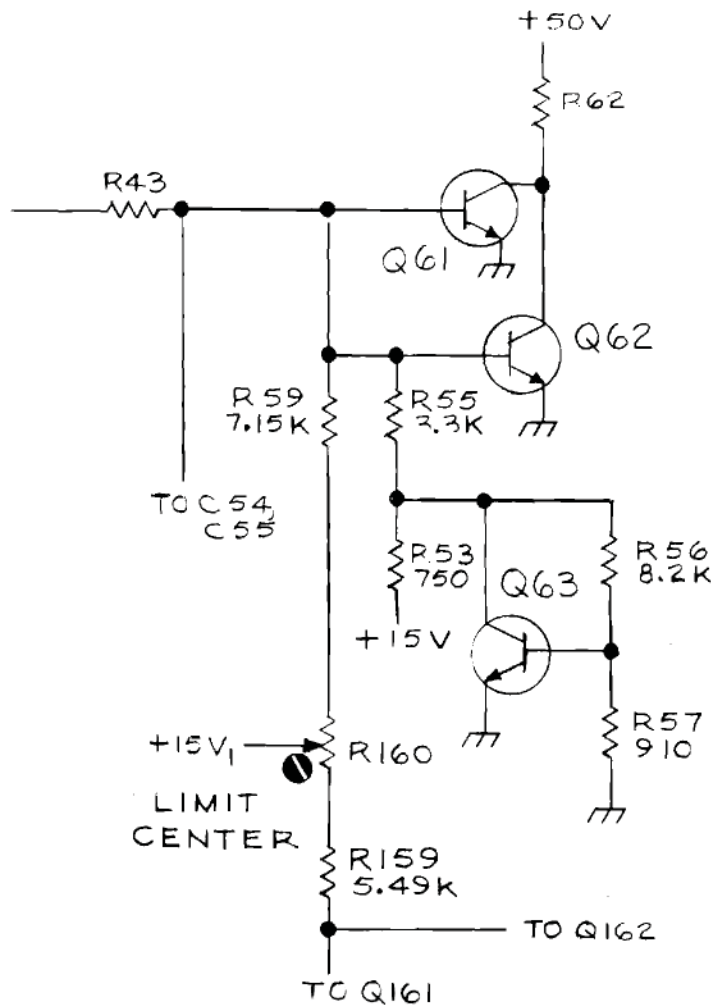
DESCRIPTION

ADD:

A17Q63	151-0190-00	TRANSISTOR: SILICON, NPN, 2N3904
A17R53	315-0751-00	RES., FXD, CMPSN: 750 OHM, 5%, 0.25W
A17R55	315-0332-00	RES., FXD, CMPSN: 3.3K OHM, 5%, 0.25W
A17R56	315-0822-00	RES., FXD, CMPSN: 8.2K OHM, 5%, 0.25W
A17R57	315-0911-00	RES., FXD, CMPSN: 910 OHM, 5%, 0.25W

DIAGRAM 11 HORIZONTAL AMPLIFIER - Partial

Heat sinks should be added to Q21, Q121, Q41 and Q141.



DESCRIPTION

EFF SN B041395

REPLACEABLE ELECTRICAL PARTS LIST AND SCHEMATIC CHANGES

CHANGE TO:

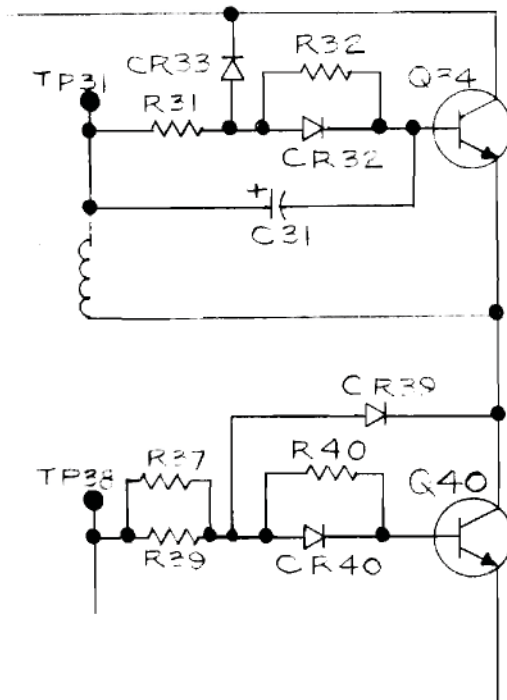
A23 670-6259-01 CKT BOARD ASSY:P.S. INVERTER

ADD:

A23CR33 152-0400-00 SEMICONV DEVICE:SILICON,400V,1A

A23CR39 152-0400-00 SEMICONV DEVICE:SILICON,400V,1A

DIAGRAM 15 Converter/Rectifiers - Partial



DESCRIPTION

REPLACEABLE ELECTRICAL PARTS AND SCHEMATIC CHANGES

CHANGE TO:

A25	670-5850-01	CKT BOARD ASSY:DIGITIZER
A25C60	283-0107-00	CAP.,FXD,CER DI:51PF,5%,200V
A25C561	281-0792-00	CAP.,FXD,CER DI:82PF,10%,100V
A25R21	321-1650-07	RES.,FXD,FILM:8.99K OHM,0.1%,0.125W
A25R22	321-0666-07	RES.,FXD,FILM:3.04K OHM,0.1%,0.125W
A25R71	321-0816-07	RES.,FXD,FILM:5K OHM,0.1%,0.125W
A25R72	315-0272-00	RES.,FXD,CMPSN:2.7K OHM,5%,0.25W
A25R73	321-1267-03	RES.,FXD,FILM:5.97K OHM,0.25%,0.125W
A25R77	321-1313-07	RES.,FXD,FILM:18K OHM,0.1%,0.125W
A25R79	321-0236-03	RES.,FXD,FILM:2.8K OHM,0.25%,0.125W
A25R80	311-0978-00	RES.,VAR, NONWW:TRMR,250 OHM,0.5W
A25R81	321-1296-07	RES.,FXD,FILM:12K OHM,0.1%,0.125W
A25R91	321-0657-07	RES.,FXD,FILM:60 OHM,0.1%,0.125W
A25R92	321-0239-07	RES.,FXD,FILM:3.01K OHM,0.1%,0.125W
A25R289	321-0269-00	RES.,FXD,FILM:6.19K OHM,1%,0.125W
A25R292	321-1618-02	RES.,FXD,FILM:6.5K OHM,0.5%,0.125W

REMOVE:

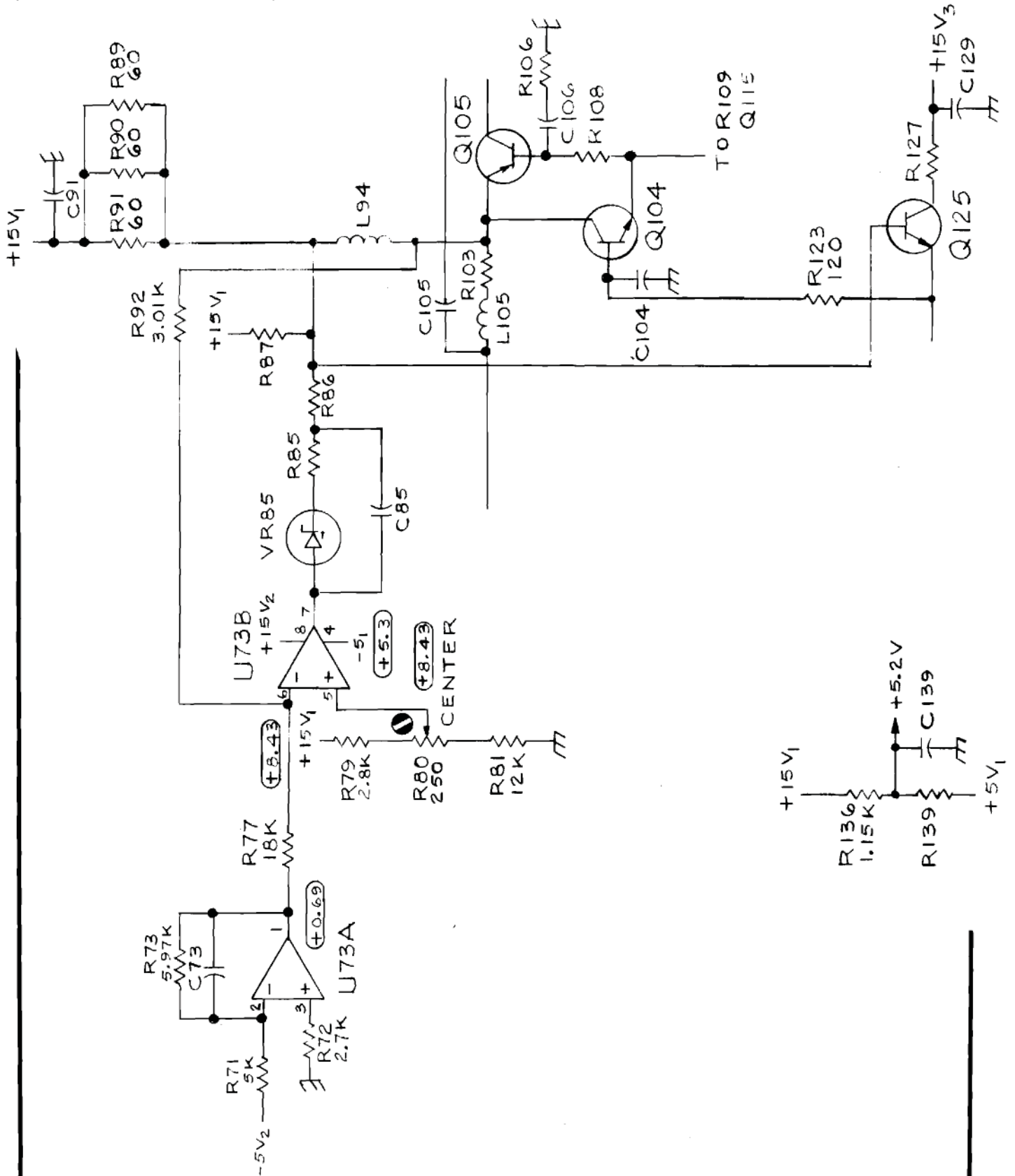
A15C84	281-0788-00	CAP.,FXD,CER DI:470PF,10%,100V
A25C87	283-0067-00	CAP.,FXD,CER DI:0.001UF,10%,200V
A25Q93	151-0190-05	TRANSISTOR:SILICON,NPN
A25Q94	151-0301-00	TRANSISTOR:SILICON,PNP
A25Q95	151-0301-00	TRANSISTOR:SILICON,PNP
A25R92	321-0274-00	RES.,FXD,FILM:6.98K OHM,1%,0.125W
A25R93	315-0622-00	RES.,FXD,CMPSN:6.2K OHM,5%,0.25W
A25R124	321-0218-00	RES.,FXD,FILM:1.82K OHM,1%,0.125W
A25R125	321-0138-00	RES.,FXD,FILM:267 OHM,1%,0.125W
A25R137	321-0133-00	RES.,FXD,FILM:237 OHM,1%,0.125W
A25R138	321-0189-00	RES.,FXD,FILM:909 OHM,1%,0.125W

ADD:

A25R89	321-0657-07	RES.,FXD,FILM:60 OHM,0.1%,0.125W
A25R90	321-0657-07	RES.,FXD,FILM:60 OHM,0.1%,0.125W
A25R123	315-0121-00	RES.,FXD,CMPSN:120 OHM,5%,0.25W
A25R136	321-0199-00	RES.,FXD,FILM:1.15K OHM,1%,0.125W

DESCRIPTION

DIAGRAM 8 VERTICAL PICKOFF AMPLIFIER - Partial



DESCRIPTION

EFF SN B031285

REPLACEABLE ELECTRICAL PARTS AND SCHEMATIC CHANGES

CHANGE TO:

A18 670-5832-01 CKT BOARD ASSY:VERTICAL OUTPUT

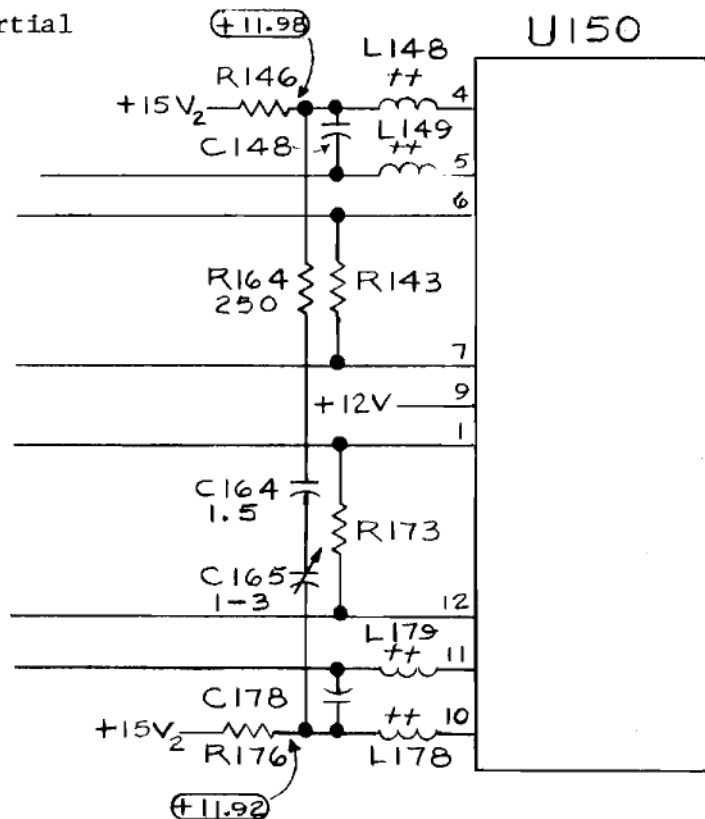
REMOVE:

- A18C12 283-0160-00 CAP., FXD, CER DI: 1.5PF, 10%, 50V
- A18C32 283-0160-00 CAP., FXD, CER DI: 1.5PF, 10%, 50V
- A18C147 283-0160-00 CAP., FXD, CER DI: 1.5PF, 10%, 50V
- A18C177 283-0160-00 CAP., FXD, CER DI: 1.5PF, 10%, 50V
- A18R12 317-0101-00 RES., FXD, CMPSN: 100 OHM, 5%, 0.125W
- A18R32 317-0101-00 RES., FXD, CMPSN: 100 OHM, 5%, 0.125W
- A18R147 317-0101-00 RES., FXD, CMPSN: 100 OHM, 5%, 0.125W
- A18R177 317-0101-00 RES., FXD, CMPSN: 100 OHM, 5%, 0.125W

ADD:

- A18C164 281-0526-00 CAP., FXD, CER DI: 1.5PF, +/-0.5PF, 500V
- A18C165 281-0151-00 CAP., VAR, CER DI: 1-3PF, 100V
- A18R164 311-0978-00 RES., VAR, NONWW: TRMR, 250 OHM, 0.5W

DIAGRAM 9 Vertical Amplifier - Partial



DESCRIPTION Manual Insert for Product Group 42

Revised 2/10/88

These changes are effective at serial number B090000.

The following changes to the 7854 Service Manual result from the utilization of a different ventilating fan in the 7854 Oscilloscope.

REPLACEABLE ELECTRICAL PARTS LIST CHANGES

REMOVE:

A16	670-4641-00	CKT BOARD ASSY:FAN
A16B20	147-0035-00	MOTOR,DC:BRUSHLESS,10-15VDC,145MA
A16C10	290-0778-00	CAP.,FXD,ELCTLT:1UF, + 50-10%,50V
A16C13	290-0768-00	CAP.,FXD,ELCTLT:10UF, + 50-10%,100V
A16CR10	152-0141-02	SEMICON DVC,DI:SW,SI,30V,150MA,30V,DO-35
A16CR13	152-0141-02	SEMICON DVC,DI:SW,SI,30V,150MA,30V,DO-35
A16CR21	152-0141-02	SEMICON DVC,DI:SW,SI,30V,150MA,30V,DO-35
A16CR22	152-0141-02	SEMICON DVC,DI:SW,SI,30V,150MA,30V,DO-35
A16CR23	152-0141-02	SEMICON DVC,DI:SW,SI,30V,150MA,30V,DO-35
A16CR24	152-0141-02	SEMICON DVC,DI:SW,SI,30V,150MA,30V,DO-35
A16Q10	151-0301-00	TRANSISTOR:SILICON.PNP
A16Q20	156-0281-00	MICROCIRCUIT,LI:4 TRANSISTOR ARRAY
A16R10	301-0271-00	RES.,FXD,CMPSN:270 OHM,5%,0.5W
A16R11	315-0470-00	RES.,FXD,CMPSN:47 OHM,5%,0.25W
A16R13	301-0271-00	RES.,FXD,CMPSN:270 OHM,5%,0.5W
A16R20	307-0059-00	RES.,FXD,CMPSN:6.2 OHM,5%,0.50W
A16R24	321-0201-00	RES.,FXD,FILM:1.21K OHM,1%,0.125W
A16R25	321-0239-00	RES.,FXD,FILM:3.01K OHM,1%,0.125W
A16R27	321-0022-00	RES.,FXD,FILM:16.5 OHM,1%,0.125W

ADD:

B20	119-1545-01	FAN,TUBEAXIAL:12V,4.8W,RPM,35 CFM
R20	308-0175-00	RES.,FXD,WW:10 OHM,5%,10W

REPLACEABLE MECHANICAL PARTS LIST CHANGES

REMOVE:

Fig. 3-81	369-0035-00	1	IMPLR,FAN AXIAL:PLASTIC
Fig. 3-82	---	-	CKT BOARD ASSY:(SEE A16 REPL)
Fig. 3-83	211-0507-00	4	SCREW,MACHINE:6-32 X 0.312,PNH,STL,CD PL
Fig. 3-84	211-0008-00	1	SCREW,MACHINE:4-40 X 0.250,PNH,STL,CD PL
Fig. 3-85	136-0252-07	3	.SOCKET,PIN CONN:W/O DIMPLE
Fig. 3-86	131-0608-00	2	.TERMINAL,PIN:0.365 L X 0.025 PH BRZ GOLD
Fig. 3-87	136-0728-00	1	.SKT,PL-IN ELEK:MICROCKT,14 DIP
Fig. 3-88	343-0411-00	2	STRAP,RETAINING:2.494 X 0.8,STL TIN PL
Fig. 3-89	166-0099-00	2	POST,ELEC-MECH:0.25 OD X 1.719 INCHES L
Fig. 3-90	129-0748-00	1	SPACER,POST:3.048 LONG X 0.25 INCH HEX
Fig. 3-91	211-0538-00	1	SCREW,MACHINE:6-32 X 0.312 IN,100 DEG,FLH
Fig. 3-92	129-0349-00	1	POST,ELEC-MECH:0.25 OD X 1.265 INCH LONG
	175-9609-00	1	CA ASSY,SP,ELEC:2,26 AWG,5.0 L

ADD:

	211-0530-00	4	SCREW,MACHINE:6-32 X 1.750,PNH,STL,CD PL,POZ
	378-0279-00	1	GRILL,FAN:3.125 DIA SQ
	119-1545-01	1	FAN,TUBEAXIAL:(SEE B20 REPL)
	210-0457-00	4	NUT,PL,ASSEM WA:6-32 X 0.312,STL,CD PL
	211-0553-00	1	SCREW,MACHINE:6-32 X 1.5,PNH,STL,CD PL
	210-0601-00	1	EYELET,METALLIC:0.183 OD X 0.192 L,BRASS
	308-0175-00	1	RESISTOR:(SEE R20 REPL)
	210-0478-00	1	SPACER,POST:0.66 L W/6-32 THD THRU,AL
	210-0202-00	1	TERMINAL,LUG:0.146 ID,LOCKING,BRZ,TIN PL
	211-0510-00	1	SCREW,MACHINE:6-32 X 0.375,PNH,STL,CD PL
	131-1614-00	2	CONN,RCPT,ELEC:CKT BOARD,1 X 36,0.1 SPACING
	407-1990-00	1	BRACKET,SUPPORT:CHASSIS TO HV,ALUMINUM
	211-0097-00	1	SCREW,MACHINE:4-40 X 0.312,PNH,STL, CD PL,POZ
	175-5915-00	1	CA ASSY,ELEC:2,26 AWG,16.0 L,RIBBON

CHANGE TO:

Fig. 2-68	333-2480-01	1	PANEL,REAR:7854
-----------	-------------	---	-----------------

THESE CHANGES ARE EFFECTIVE AT SN B100000 AND ABOVE.

REPLACEABLE ELECTRICAL PARTS LIST CHANGES

REMOVE:

Component No.	Tektronix Part No.	Serial/Assembly No. Effective	Discont	Name & Description
A28	670-5848-04	B010381	B041759	CIRCUIT BD ASSY:2114 RAM
A28	670-5848-07	B041760		CIRCUIT BD ASSY:2114 RAM
A28	670-5848-01	B010100	B010380	CIRCUIT BD ASSY:2114 RAM (OPTION 00 ONLY)
A28	670-5848-05	B010381	B041759	CIRCUIT BD ASSY:2114 RAM (OPTION 00 ONLY)
A28	670-5848-09	B041760	B042516	CIRCUIT BD ASSY:2114 RAM (OPTION 00 ONLY)
A28	670-5848-12	B042517		CIRCUIT BD ASSY:2114 RAM (OPTION 00 ONLY)
A28	670-5848-02	B010100	B010380	CIRCUIT BD ASSY:2114 RAM (OPTION 20 ONLY)
A28	670-5848-06	B010381	B041759	CIRCUIT BD ASSY:2114 RAM (OPTION 20 ONLY)
A28	670-5848-08	B041760	B042516	CIRCUIT BD ASSY:2114 RAM (OPTION 20 ONLY)
A28	670-5848-11	B042517		CIRCUIT BD ASSY:2114 RAM (OPTION 20 ONLY)
A28C120	283-0178-00	B010100	B041759	CAP, FXD, CER D1:0.1UF, +80-20%, 100V
A28C120	283-0421-00	B041760		CAP, FXD, CER D1:0.1UF, +80-20%, 50V
A28C140	283-0178-00	B010100	B041759	CAP, FXD, CER D1:0.1UF, +80-20%, 100V
A28C140	283-0421-00	B041760		CAP, FXD, CER D1:0.1UF, +80-20%, 50V
A28C150	283-0580-00			CAP, FXD, ELCTLT:0.27UF, 20%, 50V
A28C251	283-0178-00	B010100	B041759	CAP, FXD, CER D1:0.1UF, +80-20%, 100V
A28C251	283-0421-00	B041760		CAP, FXD, CER D1:0.1UF, +80-20%, 50V
A28C260	283-0178-00	B010100	B041759	CAP, FXD, CER D1:0.1UF, +80-20%, 100V
A28C260	283-0421-00	B041760		CAP, FXD, CER D1:0.1UF, +80-20%, 50V
A28C261	283-0804-00	B042517		CAP, FXD, ELCTLT:10UF, +50-10%, 25V
A28C310	283-0178-00	B010100	B041759	CAP, FXD, CER D1:0.1UF, +80-20%, 100V
A28C310	283-0421-00	B041760		CAP, FXD, CER D1:0.1UF, +80-20%, 50V
A28C330	283-0178-00	B010100	B041759	CAP, FXD, CER D1:0.1UF, +80-20%, 100V
A28C330	283-0421-00	B041760		CAP, FXD, CER D1:0.1UF, +80-20%, 50V
A28C420	283-0178-00	B010100	B041759	CAP, FXD, CER D1:0.1UF, +80-20%, 100V
A28C420	283-0421-00	B041760		CAP, FXD, CER D1:0.1UF, +80-20%, 50V
A28C440	283-0178-00	B010100	B041759	CAP, FXD, CER D1:0.1UF, +80-20%, 100V
A28C440	283-0421-00	B041760		CAP, FXD, CER D1:0.1UF, +80-20%, 50V
A28C460	283-0178-00	B010100	B041759	CAP, FXD, CER D1:0.1UF, +80-20%, 100V
A28C460	283-0421-00	B041760		CAP, FXD, CER D1:0.1UF, +80-20%, 50V
A28C510	283-0178-00	B010100	B041759	CAP, FXD, CER D1:0.1UF, +80-20%, 100V
A28C510	283-0421-00	B041760		CAP, FXD, CER D1:0.1UF, +80-20%, 50V
A28C530	283-0178-00	B010100	B041759	CAP, FXD, CER D1:0.1UF, +80-20%, 100V
A28C530	283-0421-00	B041760		CAP, FXD, CER D1:0.1UF, +80-20%, 50V
A28C550	283-0178-00	B010100	B041759	CAP, FXD, CER D1:0.1UF, +80-20%, 100V
A28C550	283-0421-00	B041760		CAP, FXD, CER D1:0.1UF, +80-20%, 50V
A28C620	283-0178-00	B010100	B041759	CAP, FXD, CER D1:0.1UF, +80-20%, 100V
A28C620	283-0421-00	B041760		CAP, FXD, CER D1:0.1UF, +80-20%, 50V
A28C640	283-0178-00	B010100	B041759	CAP, FXD, CER D1:0.1UF, +80-20%, 100V
A28C640	283-0421-00	B041760		CAP, FXD, CER D1:0.1UF, +80-20%, 50V
A28C660	283-0178-00	B010100	B041759	CAP, FXD, CER D1:0.1UF, +80-20%, 100V
A28C660	283-0421-00	B041760		CAP, FXD, CER D1:0.1UF, +80-20%, 50V

DESCRIPTION

Component No.	Tektronix Part No.	Serial/Assembly No. Effective	Decont	Name & Description
A28C661	290-0804-00	B042517		CAP, FXD, ELCTLT:10UF, +50-10%, 25V
A28C710	283-0178-00	B010100	B041759	CAP, FXD, CER D1:0.1UF, +80-20%, 100V
A28C710	283-0421-00	B041760		CAP, FXD, CER D1:0.1UF, +80-20%, 50V
A28C730	283-0178-00	B010100	B041759	CAP, FXD, CER D1:0.1UF, +80-20%, 100V
A28C730	283-0421-00	B041760		CAP, FXD, CER D1:0.1UF, +80-20%, 50V
A28C800	290-0755-00			CAP, FXD, ELCTLT:100UF, +50%-10%, 10V
A28C820	283-0178-00	B010100	B041759	CAP, FXD, CER D1:0.1UF, +80-20%, 100V
A28C820	283-0421-00	B041760		CAP, FXD, CER D1:0.1UF, +80-20%, 50V
A28C840	283-0178-00	B010100	B041759	CAP, FXD, CER D1:0.1UF, +80-20%, 100V
A28C840	283-0421-00	B041760		CAP, FXD, CER D1:0.1UF, +80-20%, 50V
A28C862	283-0178-00	B010100	B041759	CAP, FXD, CER D1:0.1UF, +80-20%, 100V
A28C862	283-0421-00	B041760		CAP, FXD, CER D1:0.1UF, +80-20%, 50V
A28CR160	152-0141-02			SEMICOND DVC, D1:SM, S1, 30V, 150MA, 30V, D0-35
A28CR260	152-0141-02			SEMICOND DVC, D1:SM, S1, 30V, 150MA, 30V, D0-35
A28Q150	151-0190-05			TRANSISTOR:SELECTED
A28Q151	151-0190-05			TRANSISTOR:SELECTED
A28Q160	151-0190-05			TRANSISTOR:SELECTED
A28Q161	151-0302-01			TRANSISTOR:SELECTED
A28Q162	151-0302-01			TRANSISTOR:SELECTED
A28Q163	151-0190-05			TRANSISTOR:SELECTED
A28Q760	151-0625-00			TRANSISTOR:PMP, S1, T0-220
A28Q855	151-0188-03			TRANSISTOR:SELECTED
A28Q860	151-0625-00			TRANSISTOR:PMP, S1, T0-220
A28R150	315-0203-00			RES, FXD, FILM:20K OHM, 5%, 0.25W
A28R151	315-0303-00			RES, FXD, FILM:30K OHM, 5%, 0.25W
A28R160	315-0332-00			RES, FXD, FILM:3.3K OHM, 5%, 0.25W
A28R161	315-0122-00			RES, FXD, FILM:1.2K OHM, 5%, 0.25W
A28R162	315-0272-00			RES, FXD, FILM:2.7K OHM, 5%, 0.25W
A28R163	315-0300-00			RES, FXD, FILM:30 OHM, 5%, 0.25W
A28R164	315-0240-00			RES, FXD, FILM:24 OHM, 5%, 0.25W
A28R165	315-0620-00			RES, FXD, FILM:62 OHM, 5%, 0.25W
A28R166	315-0681-00			RES, FXD, FILM:680 OHM, 5%, 0.25W
A28R250	315-0622-00			RES, FXD, FILM:6.2K OHM, 5%, 0.25W
A28R260	315-0472-00			RES, FXD, FILM:4.7K OHM, 5%, 0.25W
A28R750	315-0103-00			RES, FXD, FILM:10K OHM, 5%, 0.25W
A28R770	301-0471-00			RES, FXD, FILM:470 OHM, 5%, 0.5W
A28R862	315-0102-00			RES, FXD, FILM:1K OHM, 5%, 0.25W
A28R865	315-0472-00			RES, FXD, FILM:4.7K OHM, 5%, 0.25W
A28U110	156-1323-01			MICROCKT, DGTL:1024 X 4 STATIC RAM, BURN-IN (OPTION 2D ONLY)
A28U120	156-1323-01			MICROCKT, DGTL:1024 X 4 STATIC RAM, BURN-IN (OPTION 2D ONLY)
A28U130	156-1323-01			MICROCKT, DGTL:1024 X 4 STATIC RAM, BURN-IN (OPTION 2D ONLY)
A28U140	156-1323-01			MICROCKT, DGTL:1024 X 4 STATIC RAM, BURN-IN (OPTION 2D ONLY)
A28U210	156-1323-01			MICROCKT, DGTL:1024 X 4 STATIC RAM, BURN-IN (OPTION 2D ONLY)
A28U220	156-1323-01			MICROCKT, DGTL:1024 X 4 STATIC RAM, BURN-IN (OPTION 2D ONLY)
A28U230	156-1323-01			MICROCKT, DGTL:1024 X 4 STATIC RAM, BURN-IN (OPTION 2D ONLY)
A28U240	156-1323-01			MICROCKT, DGTL:1024 X 4 STATIC RAM, BURN-IN (OPTION 2D ONLY)
A28U250	156-0721-02			MICROCKT, DGTL:QUAD ST 2-INP NAND GATES, SCRIB

DESCRIPTION

Component No.	Tektronix Part No.	Serial/Assembly No.		Name & Description
		Effective	Discont	
A28U260	156-0381-02			MICROCKT,DGTL:QUAD 2-IMP EXCL OR GATE
A28U310	156-1323-01			MICROCKT,DGTL:1024 X 4 STATIC RAM,BURN-IN
A28U320	156-1323-01			MICROCKT,DGTL:1024 X 4 STATIC RAM,BURN-IN
A28U330	156-1323-01			MICROCKT,DGTL:1024 X 4 STATIC RAM,BURN-IN
A28U340	156-1323-01			MICROCKT,DGTL:1024 X 4 STATIC RAM,BURN-IN
A28U350	156-0916-02			MICROCKT,DGTL:EIGHT 2-IMP 3-STATE BFR,SCRN
A28U360	156-0916-02			MICROCKT,DGTL:EIGHT 2-IMP 3-STATE BFR,SCRN
A28U410	156-1323-01			MICROCKT,DGTL:1024 X 4 STATIC RAM,BURN-IN
A28U420	156-1323-01			MICROCKT,DGTL:1024 X 4 STATIC RAM,BURN-IN
A28U430	156-1323-01			MICROCKT,DGTL:1024 X 4 STATIC RAM,BURN-IN
A28U440	156-1323-01			MICROCKT,DGTL:1024 X 4 STATIC RAM,BURN-IN
A28U450	156-0916-02			MICROCKT,DGTL:EIGHT 2-IMP 3-STATE BFR,SCRN
A28U460	156-0916-02			MICROCKT,DGTL:EIGHT 2-IMP 3-STATE BFR,SCRN
A28U510	156-1323-01			MICROCKT,DGTL:1024 X 4 STATIC RAM,BURN-IN
A28U520	156-1323-01			MICROCKT,DGTL:1024 X 4 STATIC RAM,BURN-IN
A28U530	156-1323-01			MICROCKT,DGTL:1024 X 4 STATIC RAM,BURN-IN
A28U540	156-1323-01			MICROCKT,DGTL:1024 X 4 STATIC RAM,BURN-IN
A28U550	156-0481-02			MICROCKT,DGTL:TRIPLE 3-IMP & GATE,SCRN
A28U560	156-0736-02			MICROCKT,DGTL:BCD TO DECIMAL DCDR,SCRN
A28U610	156-1323-01			MICROCKT,DGTL:1024 X 4 STATIC RAM,BURN-IN
A28U620	156-1323-01			MICROCKT,DGTL:1024 X 4 STATIC RAM,BURN-IN
A28U630	156-1323-01			MICROCKT,DGTL:1024 X 4 STATIC RAM,BURN-IN
A28U640	156-1323-01			MICROCKT,DGTL:1024 X 4 STATIC RAM,BURN-IN
A28U650	156-0916-02			MICROCKT,DGTL:EIGHT 2-IMP 3-STATE BFR,SCRN
A28U660	156-0720-02			MICROCKT,DGTL:HEX DRVR,4-TO-2 LINE ENABLE
A28U710	156-1323-01			MICROCKT,DGTL:1024 X 4 STATIC RAM,BURN-IN (OPTION 2D ONLY)
A28U720	156-1323-01			MICROCKT,DGTL:1024 X 4 STATIC RAM,BURN-IN (OPTION 2D ONLY)
A28U730	156-1323-01			MICROCKT,DGTL:1024 X 4 STATIC RAM,BURN-IN (OPTION 2D ONLY)
A28U740	156-1323-01			MICROCKT,DGTL:1024 X 4 STATIC RAM,BURN-IN (OPTION 2D ONLY)
A28U750	156-0382-02	B010100	B010380	MICROCKT,DGTL:QUAD 2 IMP NAND GATE BURN
A28U750	156-0030-03	B010381		MICROCKT,DGTL:QUAD 2 INPUT NAND GATE,SCRN
A28U810	156-1323-01			MICROCKT,DGTL:1024 X 4 STATIC RAM,BURN-IN (OPTION 2D ONLY)
A28U820	156-1323-01			MICROCKT,DGTL:1024 X 4 STATIC RAM,BURN-IN (OPTION 2D ONLY)
A28U830	156-1323-01			MICROCKT,DGTL:1024 X 4 STATIC RAM,BURN-IN (OPTION 2D ONLY)
A28U840	156-1323-01			MICROCKT,DGTL:1024 X 4 STATIC RAM,BURN-IN (OPTION 2D ONLY)
A28VR870	152-0175-01			SEMICOND DVC,01:ZEN,S1,5.6V,5Z,0.4N,DO-7

DESCRIPTION

REMOVE:

Component No.	Tektronix		Serial/Assembly No.		Name & Description
	Part No.	Effective	Decont		
A31	670-5847-00	8010100	8042244		CIRCUIT BD ASSY:ROM
A31	670-5847-01	8042245	8042516		CIRCUIT BD ASSY:ROM
A31	670-5847-02	8041517	8063172		CIRCUIT BD ASSY:ROM
A31	670-5847-03	8063173			CIRCUIT BD ASSY:ROM
A31C105	281-0775-00				CAP,FXD,CER DI:0.1UF,20%,50V
A31C110	281-0775-00				CAP,FXD,CER DI:0.1UF,20%,50V
A31C115	281-0775-00				CAP,FXD,CER DI:0.1UF,20%,50V
A31C120	281-0775-00				CAP,FXD,CER DI:0.1UF,20%,50V
A31C121	290-0804-00	8042517			CAP,FXD,ELCTLT:10UF,+50-10%,25V
A31C205	281-0775-00				CAP,FXD,CER DI:0.1UF,20%,50V
A31C210	281-0775-00				CAP,FXD,CER DI:0.1UF,20%,50V
A31C215	281-0775-00				CAP,FXD,CER DI:0.1UF,20%,50V
A31C220	281-0775-00				CAP,FXD,CER DI:0.1UF,20%,50V
A31C222	283-0103-00				CAP,FXD,CER DI:180PF,5%,500V
A31C305	281-0775-00				CAP,FXD,CER DI:0.1UF,20%,50V
A31C310	281-0775-00				CAP,FXD,CER DI:0.1UF,20%,50V
A31C405	281-0775-00				CAP,FXD,CER DI:0.1UF,20%,50V
A31C410	281-0775-00				CAP,FXD,CER DI:0.1UF,20%,50V
A31C415	281-0775-00				CAP,FXD,CER DI:0.1UF,20%,50V
A31C420	281-0775-00				CAP,FXD,CER DI:0.1UF,20%,50V
A31C425	281-0775-00				CAP,FXD,CER DI:0.1UF,20%,50V
A31C430	280-0804-00	8042517			CAP,FXD,ELCTLT:10UF,+50-10%,25V
A31R210	315-0152-00				RES,FXD,FILM:1.5K OHM,5%,0.25W
A31R220	315-0222-00				RES,FXD,FILM:2.2K OHM,5%,0.25W
A31R222	315-0201-00				RES,FXD,FILM:200 OHM,5%,0.25W
A31U100	160-0408-00	8010100	8059999		MICROCKT,DGTL:8192 X 8 ROM,CUSTOM MASK,SCRN
A31U100	160-0408-01	8060000			MICROCKT,DGTL:8192 X 8 ROM,CUSTOM MASK
A31U110	160-0409-00	8010100	8059999		MICROCKT,DGTL:8192 X 8 ROM,CUSTOM MASK,SCRN
A31U110	160-0409-01	8060000			MICROCKT,DGTL:8192 X 8 ROM,CUSTOM MASK
A31U120	160-0445-00	8010100	8042244		MICROCKT,DGTL:FPLA N/3 STATE OUT
A31U120	160-0445-01	8042245	8069999		MICROCKT,DGTL:FPLA N/3 STATE OUT
A31U120	160-0445-02	8060000			MICROCKT,DGTL:FPLA N/3 STATE OUT
A31U130	156-0916-02				MICROCKT,DGTL:EIGHT 2-IMP 3-STATE BFR,SCRN
A31U200	160-0410-00	8010100	8059999		MICROCKT,DGTL:8192 X 8 ROM,CUSTOM MASK,SCRN
A31U200	160-0410-01	8060000			MICROCKT,DGTL:8192 X 8 ROM,CUSTOM MASK
A31U210	160-0411-00	8010100	8059999		MICROCKT,DGTL:8192 X 8 ROM,CUSTOM MASK,SCRN
A31U210	160-0411-01	8060000			MICROCKT,DGTL:8192 X 8 ROM,CUSTOM MASK
A31U220	156-0171-02				MICROCKT,DGTL:QUAD 2-IMP OR GATE,SCREENED
A31U225	156-0382-02				MICROCKT,DGTL:QUAD 2 IMP NAND GATE BURN
A31U227	156-0387-02				MICROCKT,DGTL:DUAL J-K FF,SCRN
A31U230	156-0916-02				MICROCKT,DGTL:EIGHT 2-IMP 3-STATE BFR,SCRN
A31U320	156-0690-03				MICROCKT,DGTL:QUAD 2 IMP NOR GATE,BURN IN
A31U325	156-0718-03				MICROCKT,DGTL:TRIPLE 3-IMP NOR GATE,SCRN
A31U330	156-0916-02				MICROCKT,DGTL:EIGHT 2-IMP 3-STATE BFR,SCRN
A31U400	160-0466-00	8010100	8042244		MICROCKT,DGTL:2048 X 8 EPROM,PROGRAMMED
A31U400	160-0466-01	8042245	8059999		MICROCKT,DGTL:2048 X 8 EPROM,PRGM
A31U400	160-0466-02	8060000			MICROCKT,DGTL:2048 X 8 EPROM,PRGM
A31U410	160-0467-00	8010100	8042244		MICROCKT,DGTL:2048 X 8 EPROM,PROGRAMMED
A31U410	160-0467-01	8042245	8059999		MICROCKT,DGTL:2048 X 8 EPROM,PRGM
A31U410	160-0467-02	8060000			MICROCKT,DGTL:2048 X 8 EPROM,PRGM
A31U420	156-0180-04				MICROCKT,DGTL:QUAD 2 IMP NAND GATE,
A31U425	156-0385-02				MICROCKT,DGTL:HEX INVERTER,SCRN
A31U430	156-0916-02				MICROCKT,DGTL:EIGHT 2-IMP 3-STATE BFR,SCRN
A31XU300	-----				(FOR FUTURE EXPANSION)
A31XU310	-----				(FOR FUTURE EXPANSION)

DESCRIPTION

REMOVE:

Component No.	Tektronix Part No.	Serial/Assembly No. Effective	Discont	Name & Description
A32	670-5855-00	8010100	8031244	CIRCUIT BD ASSY:REAR PANEL CONNECTOR
A32	670-5855-02	8031245	8042306	CIRCUIT BD ASSY:REAR PANEL CONNECTOR
A32	670-5855-03	8042307		CIRCUIT BD ASSY:REAR PANEL CONNECTOR
A32	670-5855-01	8010100	8042306	CIRCUIT BD ASSY:REAR PANEL CONNECTOR (OPTION 00 ONLY)
A32	670-5855-04	8042307		CIRCUIT BD ASSY:REAR PANEL CONNECTOR (OPTION 00 ONLY)
A32C14	281-0775-00			CAP,FXD,CER DI:0.1UF,20%,50V
A32CR12	152-0198-00			SEMICOND DVC,DI:RECT,SI,200V,3A,A249
A32CR15	152-0581-00			SEMICOND DVC,DI:RECT,SI,20V,1A,A59
A32F12	159-0016-00			FUSE,CARTRIDGE:3AG,1.5,250V,FAST BLOM
A32Q14	151-0521-00			SCR:SI,MU-27
A32R12	308-0244-00			RES,FXD,MM:0.3 OHM,10%,2M
A32R13	315-0221-00	8010100	8042306	RES,FXD,FILM:220 OHM,5%,0.25M
A32R13	315-0101-00	8042307		RES,FXD,FILM:100 OHM,5%,0.25M
A32R14	315-0102-00			RES,FXD,FILM:1K OHM,5%,0.25M
A32R15	315-0331-00			RES,FXD,FILM:330 OHM,5%,0.25M
A32S110	260-1721-00			SWITCH,ROCKER:8,SPST,125MA,30VDC
A32VR13	152-0243-00			SEMICOND DVC,DI:ZEN,SI,15V,5%,0.4M,00-7
A32VR16	152-0195-00			SEMICOND DVC,DI:ZEN,SI,5.1V,5%,0.4M,00-7

Component No.	Tektronix Part No.	Serial/Assembly No. Effective	Discont	Name & Description
A8	670-5844-00	8010100	8020175	CIRCUIT BD ASSY:MOTHER
A8	670-5844-01	8020176		CIRCUIT BD ASSY:MOTHER (NO ELECTRICAL PARTS)

THE ABOVE MENTIONED BOARDS WILL BE REPLACED WITH THE FOLLOWING A28 MEMORY CIRCUIT BOARD WHICH IS INSTALLED IN THE RAM SLOT. THE MEMORY BOARD HAS (2) 8 BY 8K RAMS ON IT. THESE RAMS REPLACE THE (32) RAMS. THE (R) ROMS, (2) EPROMS, AND FPLA ON THE ROM BOARD ARE REPLACED BY (2) 27128'S ON THE MEMORY BOARD. ON-BOARD BATTERY BACK-UP HAS BEEN ADDED TO THE MEMORY BOARD BY USING A LITHIUM BATTERY.

TO PROVIDE +15V TO THE MEMORY BOARD, ADD A WIRE STRAP FROM PIN 2 OF J107 TO PIN X OF J104 TO THE BACK SIDE OF THE A8 MOTHER CIRCUIT BOARD ASSEMBLY. REPLACE THE BOARD LAY-OUT ON THE A32 REAR PANEL CIRCUIT BOARD ASSEMBLY. REPLACE FIG. 2-68 REAR PANEL.

DESCRIPTION

ADD:

A28	670-9520-00	CIRCUIT BD ASSY:MEMORY 388-9063-XX WIRED
A28B450	146-0049-00	BATTERY,STORAGE,3.5V,750 MAH
A28C100	281-0775-00	CAP,FXD,CER DI,0.1UF,20%,50V
A28C110	281-0775-00	CAP,FXD,CER DI,0.1UF,20%,50V
A28C120	281-0775-00	CAP,FXD,CER DI,0.1UF,20%,50V
A28C130	281-0775-00	CAP,FXD,CER DI,0.1UF,20%,50V
A28C142	281-0775-00	CAP,FXD,CER DI,0.1UF,20%,50V
A28C145	281-0775-00	CAP,FXD,CER DI,0.1UF,20%,50V
A28C150	290-0804-01	CAP,FXD,ELECTLT:10UF,20%,25V
A28C200	281-0775-00	CAP,FXD,CER DI,0.1UF,20%,50V
A28C220	281-0775-00	CAP,FXD,CER DI,0.1UF,20%,50V
A28C245	281-0775-00	CAP,FXD,CER DI,0.1UF,20%,50V
A28C300	281-0775-00	CAP,FXD,CER DI,0.1UF,20%,50V
A28C320	281-0775-00	CAP,FXD,CER DI,0.1UF,20%,50V
A28C345	281-0775-00	CAP,FXD,CER DI,0.1UF,20%,50V
A28C410	285-1048-00	CAP,FXD,PLASTIC:2UF,5%,100V
A28C420	285-0808-00	CAP,FXD,PLASTIC:0.1UF,10%,50V
A28C430	290-0782-01	CAP,FXD,ELECTLT:4.7UF,20%,35VDC AL
A28C445	281-0775-00	CAP,FXD,CER DI,0.1UF,20%,50V
A28C450	290-0804-01	CAP,FXD,ELECTLT:10UF,20%,25V
A28CR140	152-0141-02	SEMICON DVC,DI,SW,SI,30V,150 MA
A28CR430	152-0242-00	SEMICON DVC,DI,SIG,SI,225V,0.2A
A28CR432	152-0141-02	SEMICON DVC,DI,SW,SI,30V,150 MA
A28CR433	152-0141-02	SEMICON DVC,DI,SW,SI,30V,150 MA
A28CR450	152-0323-00	SEMICON DVC,DI,SW,SI,35V,0.1A
A28P201	131-0993-00	BUS,CONDUCTOR SHUNT ASSEMBLY,BLACK
A28P200	131-0993-00	BUS,CONDUCTOR SHUNT ASSEMBLY,BLACK
A28Q140	151-0190-09	TRANS:NPN,SI,TO-106,52N3904
A28Q430	151-0190-09	TRANS:NPN,SI,TO-106,52N3904
A28R140	315-0203-00	RES,FXD:20K Ω ,5%,0.25W
A28R141	315-0103-00	RES,FXD:10K Ω ,5%,0.25W
A28R200	315-0472-00	RES,FXD:4.7K Ω ,5%,0.25W
A28R201	315-0472-00	RES,FXD:4.7K Ω ,5%,0.25W
A28R428	303-0680-00	RES,FXD,CMPSN:68 Ω ,5%,1W
A28R430	315-0202-00	RES,FXD:2K Ω ,5%,0.25W
A28R432	315-0102-00	RES,FXD:1K Ω ,5%,0.25W
A28S20	260-1812-00	SWITCH,SLIDE,DPDT,0.5A,125 VAC/VDC,PNL MT
A28U100	156-0381-02	MICROCKT,DGTL:QUAD 2-INP EXCL OR GATE SCR N 74LS86
A28U110	156-0718-03	MICROCKT,DGTL:TRIPLE 3-INP NOR GATE,SCR N 74LS27
A28U120	156-0382-02	MICROCKT,DGTL:QUAD 2-INP NAND GATE BURN IN 74LSOONP3
A28U130	156-0385-02	MICROCKT,DGTL:HEX INVERTER,SCR N 74LSO4
A28U145	156-1111-02	MICROCKT,DGTL:OCTAL BUS TRANSCIEVERS W/3 STATE OUT, SCR N 74LS245
A28U210	156-1842-00	MICROCKT,DGTL,CMOS,8192X8 SRAM
A28U220	160-3725-00	MICROCKT,DGTL,NMOS,16384X8 EPROM,LOW OR DER BITS 27128-3
A28U245	156-1111-02	MICROCKT,DGTL:OCTAL BUS TRANSCIEVERS W/3 STATE OUT, SCR N 74LS245

DESCRIPTION

A28U310	156-1842-00	MICROCKT,DGTL,CMOS,8192X8 SRAM
A28U320	160-3724-00	MICROCKT,DGTL,NMOS,16384X8 EPROM,HIGH ORDER BITS 17128-3
A28U345	156-0956-02	MICROCKT,DGTL:OCTAL BFR W/3 STATE OUT,SCRN 74LS244
A28U445	156-0956-02	MICROCKT,DGTL:OCTAL BFR W/3 STATE OUT,SCRN 74LS244

Date: 3/27/87 Change Reference: M61712

Product: 7854 Service Manual Part No.: 070-2874-01

DESCRIPTION

PG. 42

THESE CHANGES ARE EFFECTIVE AT SERIAL NUMBER B105521 AND ABOVE.

MECHANICAL PARTS LIST

CHANGE TO:

3- 378-2049-00 GRILL, FAN: 3.07 DIA.

THE ABOVE INFORMATION MAY NOT BE INCORPORATED INTO YOUR MANUAL. IF NOT, PLEASE NOTE CHANGE REFERENCE: M56709. THE FAN WAS ADDED AS PART NO. 378-0279-00, WHICH HAS BEEN CHANGED TO 378-2049-00. ALSO, THIS IS A DIRECT REPLACEMENT PART (TO ENSURE THE CUSTOMER RECEIVES THE CORRECT REPLACEMENT).

DESCRIPTION

PG. 42

Effective SN B105598

ELECTRICAL PARTS LIST CHANGES

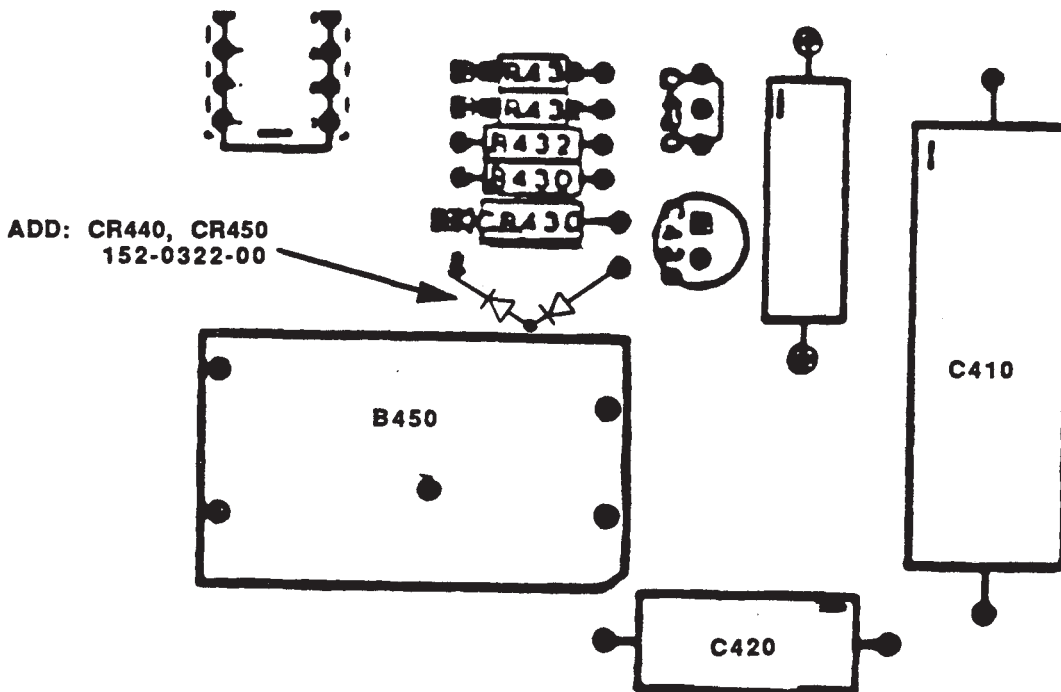
CHANGE TO:

A28	670-9520-02	CIRCUIT BD ASSY:MEMORY
A28CR450	152-0322-00	SEMICOND DVC,DI :SW,SI,15V,
A28U210	156-2274-00	MICROCKT,DGTL:CMOS 8192 X 8 SRAM
A28U310	156-2274-00	MICROCKT,DGTL:CMOS 8192 X 8 SRAM

ADD:

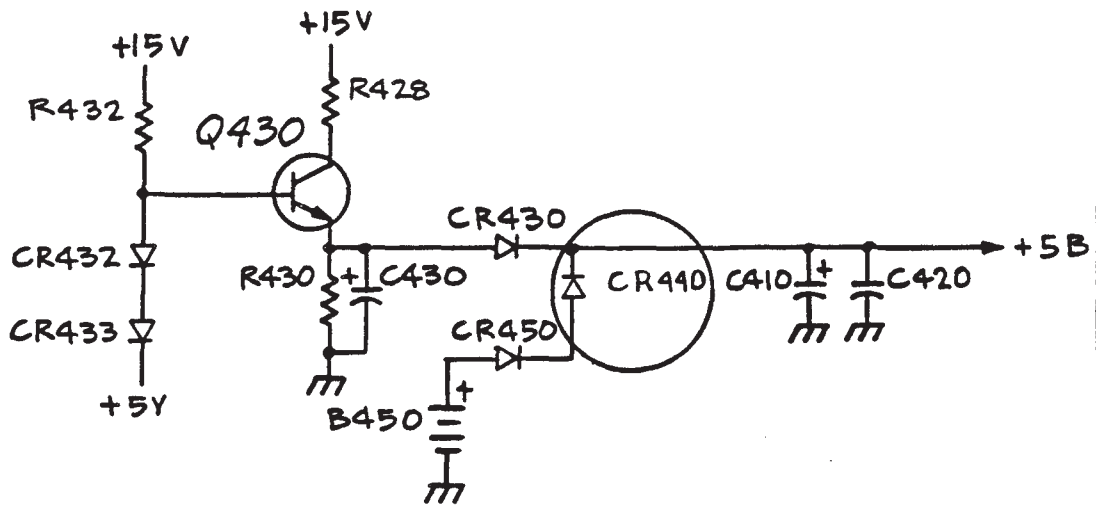
A28CR440	152-0322-00	SEMICOND DVC,DI SCHOTTKY,SI 15V,39-35
----------	-------------	---------------------------------------

The above part is added in series with CR440 as shown in the Partial of A28 Memory Circuit Board below:



SCHEMATIC CHANGES

DIAGRAM 30



A28 MEMORY BOARD



MANUAL CHANGE INFORMATION

Date: 5/6/88 Change Reference: C110/0588 Rev 2

Manual Part No.: see product

Product: All 7000 Service manuals

Product Group: 42

DESCRIPTION

Effective for all serial numbers.

Revised 9/26/88

Revised 10/13/88

REPLACEABLE ELECTRICAL PARTS LIST CHANGES

The part number has changed for a transistor which may be used in your 7000-Series product. Part number 151-0220-00 has changed to 151-0220-07. Use the new 151-0220-07 part number when ordering a replacement for transistors listed as 151-0220-00 in your Replaceable Electrical Parts List.

Most berg sockets, part number 136-0252-07, have been removed from this 7000-Series instrument to facilitate assembly and improve reliability.

Date: 4 OCT 89 Change Reference: M71041

Product: 7854 Service

Manual Part No.: 070-2874-01

Product Group: 42

DESCRIPTION

These changes are effective at serial number B110000

REPLACEABLE ELECTRICAL PARTS CHANGES

CHANGE TO:

A28 670-9520-03 CIRCUIT BD ASSY: MEMORY

ADD:

A28C139	281-0788-00	CAP,FXD,CER: 470pf,100V
A28C210	281-0775-00	CAP,FXD,CER: 0.1UF,50V
A28C151	281-0788-00	CAP,FXD,CER: 470pf,100V
A28C310	281-0775-00	CAP,FXD,CER: 0.1UF,50V
A28R139	322-3097-00	RES,FXD,FILM: 100 ohm,1%
A28R150	322-3097-00	RES,FXD,FILM: 100 ohm,1%

SCHEMATIC AND DIAGRAM CHANGES

ADD:

SCHEMATIC  MEMORY SN B110000 & UP

CIRCUIT BOARD LAYOUT ASSEMBLY A28 SN B110000 & UP



MANUAL CHANGE INFORMATION

Date: 21-Jan-91 Change Reference: M71198 Rev:1

Product: See Below

Manual Part No.: See below

Product Group: 42

DESCRIPTION

These changes are effective for the following instruments:

Revised 4-Feb-1991

- 070-5039-00, User Manual.
R7103, serial number B061115 & above.
- 070-2314-00, User Manual.
7104, serial number B074550 & above.
- 070-1260-00, User Manual.
7704A, serial number B252526 & above.
- 070-2874-01, User Manual.
7854A, serial number B115936 and above.
- 070-4593-00, User Manual.
7904A, serial number B042930 and above.
- 070-5880-00, User Manual.
7934, serial number B021175 and above.

REPLACEABLE PARTS LIST

REMOVE:

Ckt No.	Part Number	Description
R7103		
A23A1CR33	152-0400-00	Semicond DVC, DI: Rect, SI, 400V
A23A1CR34	152-0400-00	Semicond DVC, DI: Rect, SI, 400V
A23A1CR39	152-0400-00	Semicond DVC, DI: Rect, SI, 400V
A23A1CR40	152-0400-00	Semicond DVC, DI: Rect, SI, 400V
7104		
CR1233	152-0400-00	Semicond DVC, DI: Rect, SI, 400V
CR1234	152-0400-00	Semicond DVC, DI: Rect, SI, 400V
CR1239	152-0400-00	Semicond DVC, DI: Rect, SI, 400V
CR1241	152-0400-00	Semicond DVC, DI: Rect, SI, 400V
7704A		
A30CR33	152-0400-00	Semicond DVC, DI: Rect, SI, 400V
A30CR34	152-0400-00	Semicond DVC, DI: Rect, SI, 400V
A30CR39	152-0400-00	Semicond DVC, DI: Rect, SI, 400V
A30CR41	152-0400-00	Semicond DVC, DI: Rect, SI, 400V
7854		
A30CR33	152-0400-00	Semicond DVC, DI: Rect, SI, 400V
A30CR34	152-0400-00	Semicond DVC, DI: Rect, SI, 400V
A30CR39	152-0400-00	Semicond DVC, DI: Rect, SI, 400V
A30CR41	152-0400-00	Semicond DVC, DI: Rect, SI, 400V

Product: See below Part No.: See below Date: 21-Jan-91 Change Ref.: M71199

Revised 4-Feb-1991

7904A		
A30CR33	152-0400-00	Semicond DVC, DI: Rect, SI, 400V
A30CR34	152-0400-00	Semicond DVC, DI: Rect, SI, 400V
A30CR39	152-0400-00	Semicond DVC, DI: Rect, SI, 400V
A30CR41	152-0400-00	Semicond DVC, DI: Rect, SI, 400V
7934		
A14A3CR33	152-0400-00	Semicond DVC, DI: Rect, SI, 400V
A14A3CR34	152-0400-00	Semicond DVC, DI: Rect, SI, 400V
A14A3CR39	152-0400-00	Semicond DVC, DI: Rect, SI, 400V
A14A3CR41	152-0400-00	Semicond DVC, DI: Rect, SI, 400V

ADD:

Ckt No.	Part Number	Description
R7103		
A23A1CR33	152-0886-00	Semicond DVC, DI: Rect, SI, 1A, 600V
A23A1CR34	152-0886-00	Semicond DVC, DI: Rect, SI, 1A, 600V
A23A1CR39	152-0886-00	Semicond DVC, DI: Rect, SI, 1A, 600V
A23A1CR40	152-0886-00	Semicond DVC, DI: Rect, SI, 1A, 600V
7104		
CR1233	152-0886-00	Semicond DVC, DI: Rect, SI, 1A, 600V
CR1234	152-0886-00	Semicond DVC, DI: Rect, SI, 1A, 600V
CR1239	152-0886-00	Semicond DVC, DI: Rect, SI, 1A, 600V
CR1241	152-0886-00	Semicond DVC, DI: Rect, SI, 1A, 600V
7704A		
A30CR33	152-0886-00	Semicond DVC, DI: Rect, SI, 1A, 600V
A30CR34	152-0886-00	Semicond DVC, DI: Rect, SI, 1A, 600V
A30CR39	152-0886-00	Semicond DVC, DI: Rect, SI, 1A, 600V
A30CR41	152-0886-00	Semicond DVC, DI: Rect, SI, 1A, 600V
7854		
A30CR33	152-0886-00	Semicond DVC, DI: Rect, SI, 1A, 600V
A30CR34	152-0886-00	Semicond DVC, DI: Rect, SI, 1A, 600V
A30CR39	152-0886-00	Semicond DVC, DI: Rect, SI, 1A, 600V
A30CR41	152-0886-00	Semicond DVC, DI: Rect, SI, 1A, 600V
7904A		
A30CR33	152-0886-00	Semicond DVC, DI: Rect, SI, 1A, 600V
A30CR34	152-0886-00	Semicond DVC, DI: Rect, SI, 1A, 600V
A30CR39	152-0886-00	Semicond DVC, DI: Rect, SI, 1A, 600V
A30CR41	152-0886-00	Semicond DVC, DI: Rect, SI, 1A, 600V
7934		
A14A3CR33	152-0886-00	Semicond DVC, DI: Rect, SI, 1A, 600V
A14A3CR34	152-0886-00	Semicond DVC, DI: Rect, SI, 1A, 600V
A14A3CR39	152-0886-00	Semicond DVC, DI: Rect, SI, 1A, 600V
A14A3CR41	152-0886-00	Semicond DVC, DI: Rect, SI, 1A, 600V