

TYPE C-12 TEKTRONIX OSCILLOSCOPE CAMERA

For Trace Recording on Tektronix 5-inch Oscilloscopes

The Type C-12 Tektronix Oscilloscope Camera embodies a new approach to oscilloscope photography. It combines the best of present-day photo-technology with Tektronix standards of craftsmanship and functional style.

OBJECT-TO-IMAGE RATIO

The Tektronix Oscilloscope Camera, through the selection of lenses, can photograph the waveform at reduction ratios of 1:0.9 for maximum image size, 1:0.7 for two exposures per frame, and 1:0.5 for high-speed work or multiple exposures per frame.

DIRECT RECORDING

The camera does not reverse the image.

INTERCHANGEABLE BACKS

The camera accepts a Polaroid* back for quick-develop recording, or standard Graflok backs in three sizes — 2½" x 3½", 3½" x 4½", or 4" x 5" — plus readily available Graflok accessories, such as film packs, roll-film holders, cut-film holders, glass-plate holders, and 35 mm adapters.

*Registered trademark of Polaroid Corporation.

PAR-FOCAL BACKS

Once focused on the crt screen, all other backs are accepted WITHOUT refocusing.

ROTATING AND SLIDING BACKS

All film backs rotate through 90° increments. Also the backs can be moved horizontally or vertically, with respect to the lens, through five positions. Sliding back can be oriented independently of the film orientation.

EASILY IDENTIFIABLE CONTROLS

Convenient, readily visible identification rings designate shutter speed and diaphragm opening. A calibrated graticule illumination knob determines exposure time.

INTERCHANGEABLE LENSES

All lenses are quick-changed by loosening two clips. The lenses fit a uniform, calibrated, pre-focused mount. Lenses available at present include f/1.5, f/1.9, and f/4.5, mounted in alphas shutters with speeds from 1 second to 1/100 second, time and bulb.

COMPENSATING FOCUSING

One external knob adjusts the focusing when the camera is used on other oscilloscopes.

BINOCULAR VIEWING

Full orthogonal or undistorted viewing permits complete 8 x 10 centimeter coverage.

HINGED MOUNTING TO OSCILLOSCOPE

A hinged mounting bracket fastens securely to the oscilloscope on the four standard graticule studs. The camera fits snugly into this hinged mounting bracket and lifts easily out of the hinge fittings. It also swings completely away from the crt screen for full visibility.

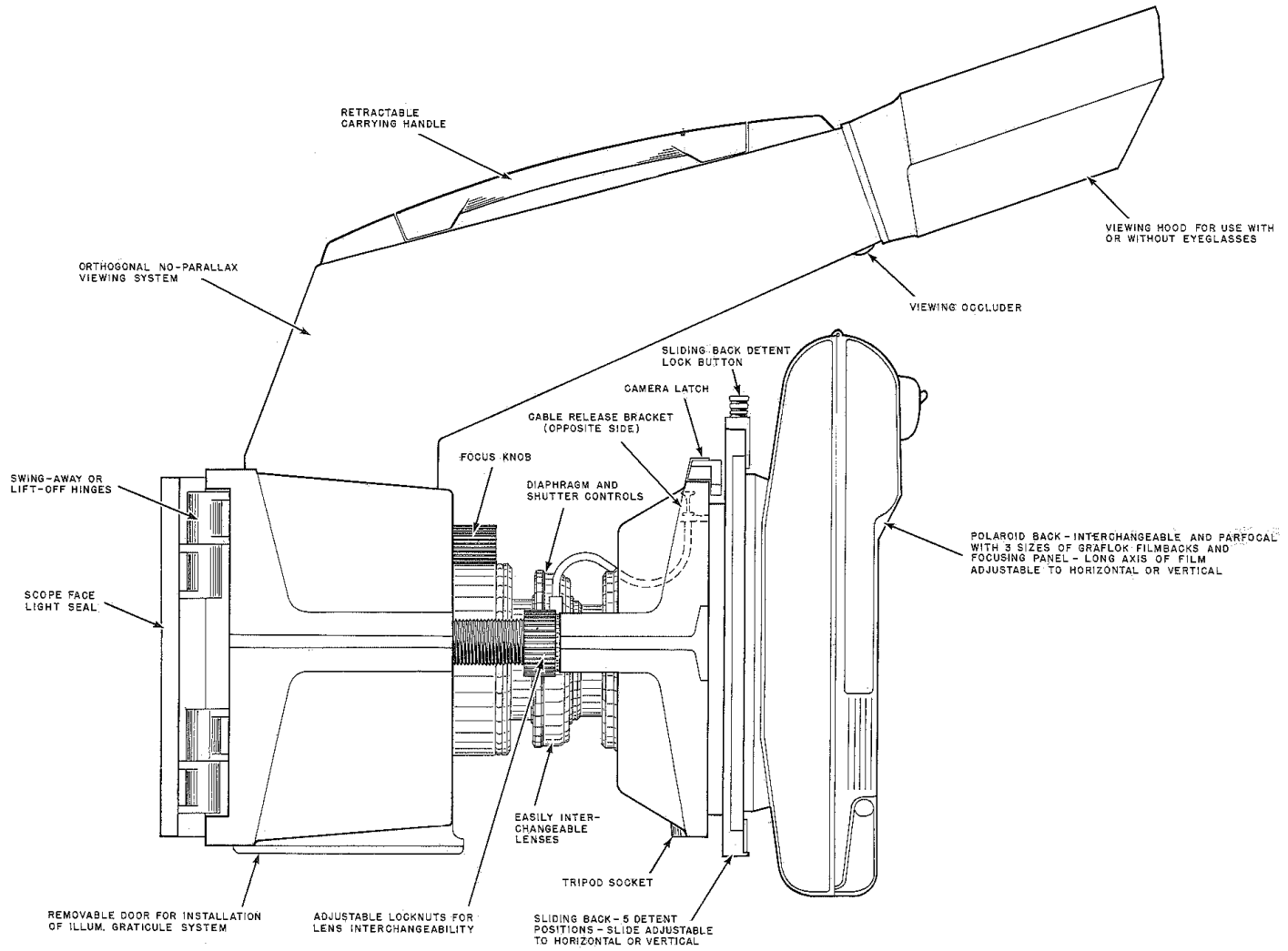
NON-PARALLAX GRATICULE

As an optional feature, a virtual image of a graticule can be projected to the plane of the phosphor, eliminating troublesome parallax.

Tektronix, Inc.

P. O. Box 500 • Beaverton, Oregon

Phone Mitchell 4-0161 • TWX—BEAV 311 • Cable: TEKTRONIX



RETRACTABLE CARRYING HANDLE

VIEWING HOOD FOR USE WITH OR WITHOUT EYEGLASSES

ORTHOGONAL NO-PARALLAX VIEWING SYSTEM

VIEWING OCCLUDER

SLIDING BACK DETENT LOCK BUTTON

CAMERA LATCH

CABLE RELEASE BRACKET (OPPOSITE SIDE)

FOCUS KNOB

DIAPHRAGM AND SHUTTER CONTROLS

SWING-AWAY OR LIFT-OFF HINGES

POLAROID BACK - INTERCHANGEABLE AND PARFOCAL WITH 3 SIZES OF GRAFLOK FILMBACKS AND FOCUSING PANEL - LONG AXIS OF FILM ADJUSTABLE TO HORIZONTAL OR VERTICAL

SCOPE FACE LIGHT SEAL

EASILY INTER-CHANGEABLE LENSES

TRIPOD SOCKET

REMOVABLE DOOR FOR INSTALLATION OF ILLUM. GRATICULE SYSTEM

ADJUSTABLE LOCKNUTS FOR LENS INTERCHANGEABILITY

SLIDING BACK - 5 DETENT POSITIONS - SLIDE ADJUSTABLE TO HORIZONTAL OR VERTICAL