

HF OUTPUT AMPLIFIER

203-0080-90 M80C

DESCRIPTION

The M080 is fabricated by the SHF II process, and has two MOS capacitors across the Nichrome resistors. It is capable of delivering 200 mA to the output. Th M80C is used in the 155-0064-01 (H074A) and the 155-0065-00 (H074) hybrids.

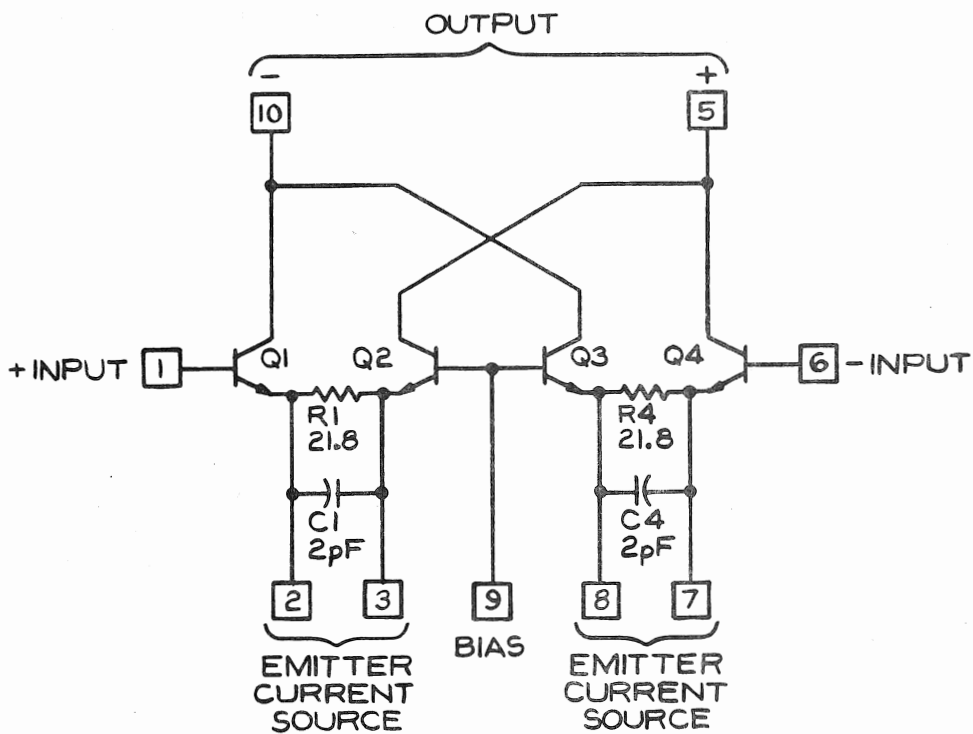
PROCESS SHF II

POWER SUPPLY.

PACKAGE 12 Pin TO-8

DESIGNER Thor Hallen

INSTRUMENT USAGE 485 7844
4851 7903
4852 7904
7912



ENGR	<i>E. Tree</i>	7-8-76	PROCESS	SHF II
DWN BY	J. Langley	7-6-76	PACKAGE	12 LEAD LARGE PATTERN TO-B
CHK BY	<i>(Vida) Boyer</i>	7-14-76	DIE SIZE	30mil x 40mil
TYPE	MONOLITHIC	HF OUTPUT AMPLIFIER		MO80C
INTEGRATED CIRCUIT ENO/MPS TEKTRONIX, INC. BEAVERTON, OREGON, U.S.A.			PART NO. 203-0080-90	