

**Tektronix**  
COMMITTED TO EXCELLENCE

## MANUAL CHANGE INFORMATION

Date: 5/30/90 Change Reference: M67379 Rev 2

Product: 7A13 Instruction

Manual Part No.: 070-1948-00

Product Group: 42

These changes are effective at serial number SN B250000 & above

Revised 8/25/89  
Revised 5/30/90

## TEXT CHANGES

Page 1-2, Table 1-1, column 2, **CHANGE TO READ:**

ACCURACY  $\pm(0.1\%$  of setting +5 mV)

Page 3-8,  $V_c$  Generation and Digital Voltmeter Circuit (SN B250000 and above)

### ADD:

The comparison voltage ( $V_c$ ) is derived from a Zener diode reference, and is selectable by the COARSE and FINE front panel controls. The selected value of  $V_c$  is measured by the Digital Voltmeter circuit, and may be also be measured at the  $V_c$  OUT output jack on the front panel.

Zener diode VR683 sets a reference voltage, which is increased to approximately 10.8 volts by amplifier U684. Resistors R685, R686, and R687 set the output voltage level of the stage. This comparison voltage is applied to the variable voltage divider consisting of COURSE control R690A and FINE control R690B, along with R692, R693, R726, and R699.  $+V_c$  ZERO control R696 sets the  $V_c$  minimum voltage level, which is applied to the  $V_c$  attenuator circuit and the  $V_c$  OUT jack.

Amplifier U728 inverts the comparison voltage and provides the  $-V_c$  output to  $V_c$  POLARITY switch S570. R741 and C743 filter the  $V_c$  output voltage, which is applied through R742 to the attenuator circuit, and through R744 to the front panel  $V_c$  OUT jack.  $-V_c$  CAL control R727 sets the gain for the inverter amplifier U728.  $-V_c$  ZERO control R720 adjusts for the offset voltage of U728.

### A to D Converter Voltmeter

The output of the variable voltage divider R690A and R690B, is fed through R692 and R693 to pin 15 ( $V_m$ ) of U637, analog processor. During the measure interval the voltage at pin 15 U637, supplies current to the integrator section, pin 9 of U637, that

is equal to  $V_m/R622$ . This causes the integrator output to move away from voltage across C637, which is the average of the integrator output. The output of comparator pin 5 U637, is sampled by the modulo 16 duty cycle counter in U636. This counter examines the state of the comparator once every 16 clock cycles during state 15. If the comparator is high the U/D control line pin 14 U637, and pin 5 U636, will be high for one cycle and low for 15 cycles. If the comparator output is low, the U/D control will be high for 15 cycles and low for one cycle. The effect of these two duty cycles is to source (or sink) a net of 14 charge parcels to C629, thus driving the integrator output towards the voltage across C637, and accumulating counts in the Binary Coded Decimal (BCD) counter section of C636 in groups of 14 counts. The BCD count at the conversion equals the number of charged parcels necessary to cancel the input current supplied through R622. The resulting count is proportional to the voltage at  $V_m$ .

U638 acts as an input buffer to isolate  $V_m$  from the summing node at pin 9 of U637.

R635, VR635 and C635 provide a stable reference voltage for the integrator section of U637.

The oscillator circuit consisting of Q623 and Q629 and associated circuitry provide a clock input to the digital processor U636.

Product: 7A13 Instruction Part No.: 070-1948-00 Date: 5/30/90 Change Ref.: M67379 Rev 2

Page 3-9. V. Readout Driver Circuit

**CHANGE TO READ:**

Refer to Diagram 5. U665 is a 4 digit common-cathode light-emitting-diode (LED) display. It is driven by the BCD to seven-segment decoder driver U668, the digit drivers Q637, Q640, Q644, Q648, and a Decimal Point Driver Q658. As a digit is selected by the scanner circuit within U636. The corresponding digit select output at pin  $D_1$ ,  $D_2$ ,  $D_3$ ,  $D_4$  goes high, turning on the appropriate digit driver. At the same time, the BCD output for that digit, at  $B_0$ ,  $B_1$ ,  $B_2$ , and  $B_3$  of U636, will be decoded and buffered by U668, providing a 7 segment driving signal to U665.

Fig. 3-3a shows the time relationship of the U635 Decade Counter data output pulses, and illustrates the signals producing a readout of 1296 on the LED display. Pulses to the Step input of U636 drive the internal scanner circuit (at 1/100 of the clock frequency), causing high levels to be produced sequentially at digit selected outputs  $D_1$ ,  $D_2$ ,  $D_3$ ,  $D_4$  and simultaneously producing the corresponding BCD signal at  $B_0$ ,  $B_1$ ,  $B_2$ , and  $B_3$ . For example, while the least significant digit select output  $D_1$  is high, outputs  $B_0$  and  $B_3$  are low, and  $B_1$  and  $B_2$  high, producing a binary coded decimal (BCD) output equivalent to number 6. This binary (0110) signal is encoded by U668 into a seven-segment driving signal for U665. To produce a 6 in the least significant position of the LED display, two conditions are met. The input signals to U665 are high at A, C, D, E, F, and G, and low at B; second, the high level at  $D_1$  turns on Q637 providing a low at pin 7 of U665. This provides a current path to ground for the light-emitting-diodes, which forms the number 6 on the LED display. Other digits are displayed in a similar manner.

Transistors Q640, Q644, and Q648 perform two functions. First, they provide a current path to ground for the light-emitting-diodes of digit 1, 2, and 9, when turned on by the respective digit select outputs  $D_2$ ,  $D_3$ , or  $D_4$ ; also, they form part of a circuit to time-multiplex drive signals to Q658, producing the required decimal point placement on the LED display. For example, if the decimal placement is 129.6, the voltage produced by the Decimal Point Logic circuit will be approximately zero volt at pin AA, and approximately five volts at pins AB and AC, at P650, reverse biasing CR645 and CR649. Quiescently, Q640 is cut off, causing current flow through divider R641, CR641, and R651, producing approximately 4.0 volts at the cathode of CR641. Q658 is biased at threshold by the divider R657, CR651, and CR641 cathode voltage. When the digit select output pulse  $D_2$  arrives, Q640 turns on, its output goes low, and CR641 is cut off. This causes CR651 to conduct hard, saturating Q658, which allows current to flow through R661, to pin 5

of U665, and through the decimal point light-emitting-diode for the least significant digit, producing a decimal placement 129.6.

Large current fluctuations produced by the LED display circuit are reduced by the shunt regulator, composed of Q604, Q607, and Q611. This is achieved by the negative feedback action of Q607, with the base acting as the input, and Q611 as the output stage. R609 prevents large voltage variations from appearing in the 5-volt source supply.

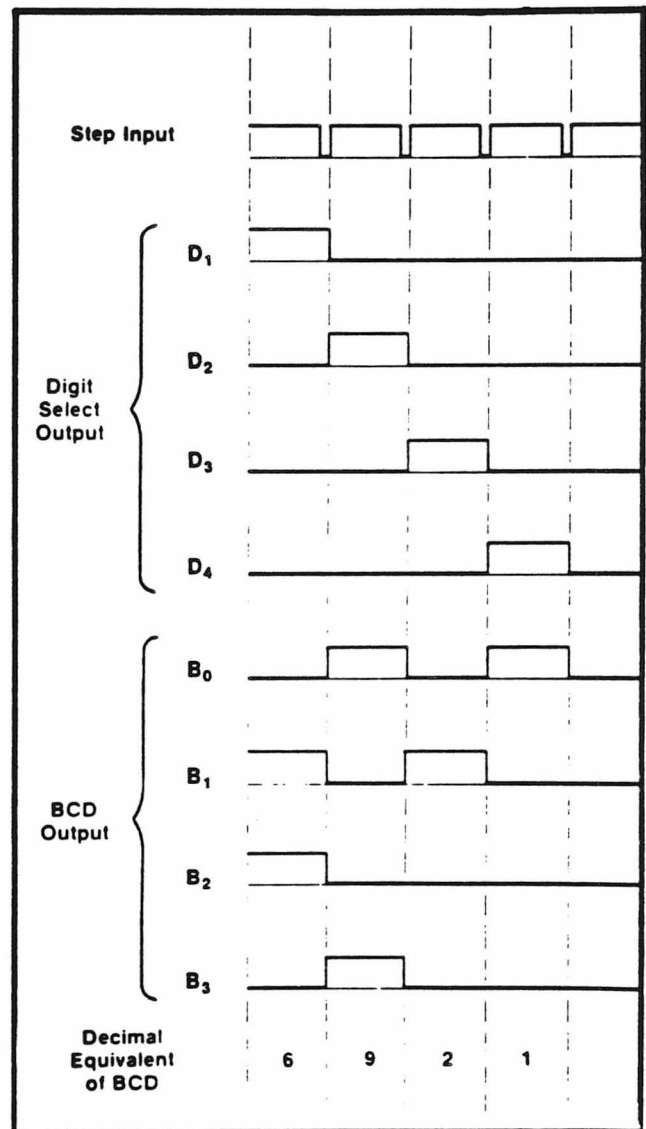


Fig. 3-3a. Time relationship of the pulses from U635. (SN B250000 & above).

Product: 7A13 Instruction Part No.: 070-1948-00 Date: 5/30/90 Change Ref.: M67379 Rev 2

Page 5-38 and 5-39, Section 5,

### Comparison Voltage Adjustments

#### CHANGE TO READ:

#### 27. Check/Adjust +V<sub>c</sub> Zero

a. Make sure all adjustments are centered before starting.

b. Connect the precision DC Voltmeter between the V<sub>c</sub> OUT JACK and GROUND on the 7A13, and set the Voltmeter to the 200mV range.

c. Using the POSITION control, position the trace to coincide with the graticule center line.

d. Change the +INPUT switch to V<sub>c</sub>.

e. ADJUST - The +V<sub>c</sub> Zero control R696 (refer to Fig 5-19a) to set the trace 1 division below midscreen. Verify that the voltmeter measures approximately -1.00mV.

#### 28. Check/Adjust -V<sub>c</sub> Zero

a. Change the V<sub>c</sub> Polarity switch to -.

b. ADJUST - The +V<sub>c</sub> Zero control R720 to set the trace 1 division above midscreen. Verify that the voltmeter measures approximately -1.00mV.

c. INTERACTION - Repeat steps 27 and 28 until the voltmeter measures between -1.10mV and -0.90mV for the +V<sub>c</sub> Polarity and between +0.90mV and +1.10mV for the -V<sub>c</sub> Polarity.

#### 29. Check/Adjust DVM Zero

a. Change the V<sub>c</sub> Polarity switch to + and turn the COMPARISON VOLTAGE (V<sub>c</sub>) FINE control clockwise until the voltmeter measures approximately 0.5mV and the trace is 0.5 divisions above midscreen.

b. ADJUST - DVM Zero control R644 (Fig. 3-3a) carefully so that the V<sub>c</sub> reading decreases as R644 is turned counterclockwise, stopping exactly where the V<sub>c</sub> reading changes from 0.001 to 0.000. When properly adjusted, the V<sub>c</sub> reading should alternate between 0.000 and 0.001.

c. Recheck and reference set +input to ground. Re-center trace. Set + input to V<sub>c</sub>.

d. VERIFY - Turn the COMPARISON VOLTAGE (V<sub>c</sub>) FINE control clockwise to move the trace 0.08 divisions above midscreen. Check that the V<sub>c</sub> reading is 0.001. Move trace to +0.02 divisions. Check that the LEDs read 0.000. Set trace 2 divisions above midscreen. Check that LEDs read 0.002.

#### 30 Check/Adjust +V<sub>c</sub> range Control

a. Set the Precision DC Voltmeter to the 20 volt range.

b. Turn the COMPARISON VOLTAGE (V<sub>c</sub>) COARSE and FINE controls fully clockwise.

c. ADJUST - The +V<sub>c</sub> range control R686 so the voltmeter reads between 10.015 and 10.150 volts.

#### 31. Check/Adjust +V<sub>c</sub> Cal

a. Turn the COMPARISON VOLTAGE (V<sub>c</sub>) COARSE and FINE controls counterclockwise for a reading of 9.900 volts on the precision DC Voltmeter.

b. ADJUST - The +V<sub>c</sub> Cal control R634 to obtain a V<sub>c</sub> reading of 9.900 on the LEDs.

#### 32. Check/Adjust -V<sub>c</sub> Cal

a. Change the V<sub>c</sub> Polarity switch to -.

b. Turn the COMPARISON VOLTAGE (V<sub>c</sub>) FINE control, if necessary, to obtain a V<sub>c</sub> reading of 9.900 on the LEDs.

c. ADJUST - The -V<sub>c</sub> Cal control R727 to obtain a 9.900 reading on the Precision DC Voltmeter.

#### 33. Check +V<sub>c</sub> Linearity

a. Change the front panel controls as follows:

(V <sub>c</sub> ) Polarity	+
+INPUT	GND
COMPARISON VOLTAGE,	
COARSE and FINE	Fully CCW
POSITION control	trace midscreen

b. Change the + INPUT switch to V<sub>c</sub>.

c. Adjust the +V<sub>c</sub> Zero control R696, if necessary, to position the trace one division below midscreen.

d. Check the +V<sub>c</sub> linearity by rotating the COMPARISON VOLTAGE (V<sub>c</sub>) COARSE and FINE controls.

Product: 7A13 Instruction Part No.: 070-1948-00 Date: 5/30/90 Change Ref.: M67379 Rev 2

### 33. Check +V<sub>c</sub> Linearity

- a. Change the front panel controls as follows:

(V <sub>cv</sub> ) Polarity	+
+INPUT	GND
COMPARISON VOLTAGE, COARSE and FINE	Fully CCW
POSITION control	trace midscreen

- b. Change the + INPUT switch to V<sub>cv</sub>.
- c. Adjust the +V<sub>c</sub> Zero control R696, if necessary, to position the trace one division below midscreen.
- d. Check the +V<sub>c</sub> linearity by rotating the COMPARISON VOLTAGE (V<sub>c</sub>) COARSE and FINE controls.
- e. Change the V<sub>c</sub> Polarity switch to -, and repeat part d.
- f. Disconnect and turn off the precision DC Voltmeter.

### 34. Check Range of Comparison Voltage Fine control

- a. Rotate the COMPARISON VOLTAGE (V<sub>c</sub>) FINE control fully counterclockwise. Note V<sub>c</sub> readout on 7A13 display.
- b. Rotate the FINE control fully clockwise. Note the increased reading by at least 0.030, but no more than 0.040.

### 35. Check V<sub>c</sub> OUT Resistance

- a. Set the FINE and COARSE controls to the fully counterclockwise position.
- b. Check for 2 kΩ to 5.5kΩ at the V<sub>c</sub> OUT jack.

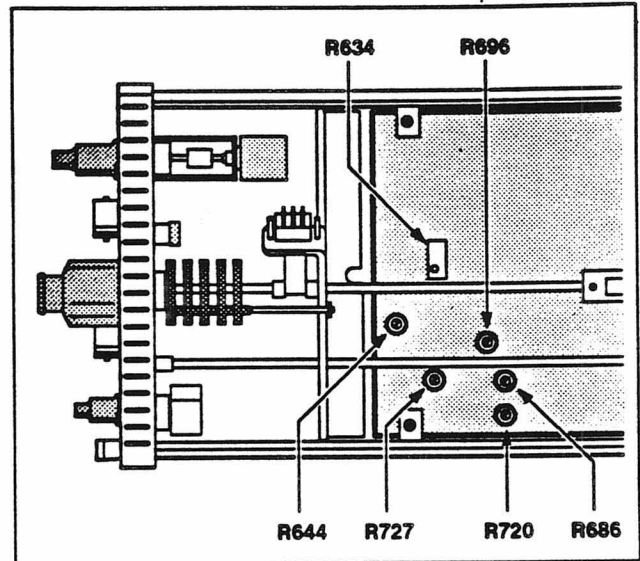


Fig. 5-19a. Comparison adjustment locations (SN B250000 and up.)

## CROSS INDEX - MFR. CODE NUMBER TO MANUFACTURER

Mfr. Code	Manufacturer	Address	City, State, Zip Code
59660	TUSONIX INC	7741 N BUSINESS PARK DR PO BOX 37144	TUCSON AZ 85740-7144
59821	MEPCO/CENTRALAB A NORTH AMERICAN PHILIPS CO	7158 MERCHANT AVE	EL PASO TX 79915-1207
71590	CRL COMPONENTS INC	HWY 20 W PO BOX 858	FORT DODGE IA 50501
73138	BECKMAN INDUSTRIAL CORP BECKMAN ELECTRONIC TECHNOLOGIES SUB OF EMERSON ELECTRIC	4141 PALM ST	FULLERTON CA 92635
74970	JOHNSON E F CO	299 10TH AVE S W	WASECA MN 56093-2539
75042	IRC ELECTRONIC COMPONENTS PHILADELPHIA DIV TRW FIXED RESISTORS	401 N BROAD ST	PHILADELPHIA PA 19108-1001
76854	OAK SWITCH SYSTEMS INC AN OAK INDUSTRIES INC CO	100 S MAIN ST PO BOX 517	CRYSTAL LAKE IL 60014-6201
79727	C-W INDUSTRIES	130 JAMES WAY	SOUTHAMPTON PA 18966-3818
80009	TEKTRONIX INC	14150 SW KARL BRAUN DR PO BOX 500	BEAVERTON OR 97077-0001
82389	SWITCHCRAFT INC SUB OF RAYTHEON CO	5555 N ELSTRON AVE	CHICAGO IL 60630-1314
91637	DALE ELECTRONICS INC	2064 12TH AVE PO BOX 609	COLUMBUS NE 68601-3632
TK1134	TUSONIX INC	2155 N FORBES BLVD	TUCSON AZ 85705
TK1345	ZMAN AND ASSOCIATES	7633 S 180TH	KENT WA 98032

# Scan by Zenith

Replaceable Electrical Parts - 7A13  
(SN B200000 - up)

Component No.	Tektronix Part No.	Serial/Assembly No. Effective	Dscont	Name & Description	Mfr. Code	Mfr. Part No.
A1	670-1042-02			CIRCUIT BD ASSY:POLARITY SWITCH	80009	670-1042-02
A2	670-1073-02	B200000	B244486	CIRCUIT BD ASSY:	80009	670-1073-02
A2	670-1073-03	B244487		CIRCUIT BD ASSY:BANDWIDTH	80009	670-1073-03
A3	670-1043-02	B200000	B209999	CIRCUIT BD ASSY:ATTENUATOR	80009	670-1043-02
A3	670-1043-03	B210000		CIRCUIT BD ASSY:ATTENUATOR	80009	670-1043-03
A4	670-1044-04	B200000	B229999	CIRCUIT BD ASSY:OUTPUT	80009	670-1044-04
A4	670-1044-05	B230000	B238699	CIRCUIT BD ASSY:OUTPUT	80009	670-1044-05
A4	670-1044-06	B238700	B249999	CIRCUIT BD ASSY:OUTPUT	80009	670-1044-06
A4	670-1044-07	B250000		CIRCUIT BD ASSY:OUTPUT	80009	670-1044-07
A5	670-1046-02	B200000	B209999	CIRCUIT BD ASSY:INPUT	80009	670-1046-02
A5	670-1046-03	B210000		CIRCUIT BD ASSY:INPUT	80009	670-1046-03
A6	670-6514-00	B239130		CIRCUIT BD ASSY:LED READOUT	80009	670-6514-00
C1	295-0116-00			CAP SET, MATCHED: (2) 0.019UF, MATCHED 0.4%	80009	295-0116-00
C2	283-0000-00			CAP, FXD, CER DI: 0.001UF, +100-0%, 500V	59660	831-610-Y5U0102P
C3	283-0175-00			CAP, FXD, CER DI: 10PF, 5%, 200V	05397	C312C100D2G5CA 8
C4	283-0156-00			CAP, FXD, CER DI: 1000PF, +80-20%, 200V	04222	SR152E102ZAA
C5	281-0064-00			CAP, VAR, PLASTIC: 0.25-1.5PF, 600V (C5A)	52769	ER-530-013
C5	281-0081-00			CAP, VAR, AIR DI: 1.8-13PF, 375VDC (C5B)	74970	189-0506-075
C5	281-0627-00			CAP, FXD, CER DI: 1PF, +/-0.25PF, 500V (C5C)	52763	2RDPLZ007 1P00CC
C5	283-0159-00			CAP, FXD, CER DI: 18PF, 5%, 50V (C5D)	04222	SR155A180JAA
C6	283-0156-00			CAP, FXD, CER DI: 1000PF, +80-20%, 200V	04222	SR152E102ZAA
C7	283-0156-00			CAP, FXD, CER DI: 1000PF, +80-20%, 200V	04222	SR152E102ZAA
C8	281-0064-00			CAP, VAR, PLASTIC: 0.25-1.5PF, 600V (C8A)	52769	ER-530-013
C8	281-0080-00			CAP, VAR, AIR DI: 1.7-11PF, 375V (C8B)	74970	189-0505-075
C8	283-0159-00			CAP, FXD, CER DI: 18PF, 5%, 50V (C8C)	04222	SR155A180JAA
C8	283-0160-00			CAP, FXD, CER DI: 1.5PF, +/-0.1PF, 50V (C8D)	51642	100050NP0159B
C8	281-0661-00			CAP, FXD, CER DI: 0.8PF, +/-0.1PF, 500V (C8E)	52763	2RDPLZ007 0P80BC
C10	283-0156-00			CAP, FXD, CER DI: 1000PF, +80-20%, 200V	04222	SR152E102ZAA
C12	283-0177-00			CAP, FXD, CER DI: 1UF, +80-20%, 25V (ADDED IF NECESSARY)	04222	SR305E105ZAA
C13	-----					
C14	281-0064-00			CAP, VAR, PLASTIC: 0.25-1.5PF, 600V	52769	ER-530-013
C15	283-0156-00			CAP, FXD, CER DI: 1000PF, +80-20%, 200V	04222	SR152E102ZAA
C21	-----			(PART OF C1)		
C22	283-0000-00			CAP, FXD, CER DI: 0.001UF, +100-0%, 500V	59660	831-610-Y5U0102P
C23	283-0175-00			CAP, FXD, CER DI: 10PF, 5%, 200V	05397	C312C100D2G5CA 8
C24	283-0156-00			CAP, FXD, CER DI: 1000PF, +80-20%, 200V	04222	SR152E102ZAA
C25	281-0064-00			CAP, VAR, PLASTIC: 0.25-1.5PF, 600V (C25A)	52769	ER-530-013
C25	281-0081-00			CAP, VAR, AIR DI: 1.8-13PF, 375VDC (C25B)	74970	189-0506-075
C25	281-0661-00	B200000	B209999	CAP, FXD, CER DI: 0.8PF, +/-0.1PF, 500V (C25C)	52763	2RDPLZ007 0P80BC
C25	283-0159-00			CAP, FXD, CER DI: 18PF, 5%, 50V (C25D)	04222	SR155A180JAA
C26	283-0156-00			CAP, FXD, CER DI: 1000PF, +80-20%, 200V	04222	SR152E102ZAA
C27	283-0156-00			CAP, FXD, CER DI: 1000PF, +80-20%, 200V	04222	SR152E102ZAA
C28	281-0064-00			CAP, VAR, PLASTIC: 0.25-1.5PF, 600V (C28A)	52769	ER-530-013
C28	281-0080-00			CAP, VAR, AIR DI: 1.7-11PF, 375V (C28B)	74970	189-0505-075
C28	283-0159-00			CAP, FXD, CER DI: 18PF, 5%, 50V	04222	SR155A180JAA

Component No.	Tektronix Part No.	Serial/Assembly No. Effective	Discont	Name & Description	Mfr. Code	Mfr. Part No.
C28	283-0160-00			(C28C) CAP,FXD,CER DI:1.5PF,+/-0.1PF,50V	51642	100050NP0159B
C28	281-0661-00			(C28D) CAP,FXD,CER DI:0.8PF,+/-0.1PF,500V	52763	2RDPLZ007 0P80BC
C30	283-0156-00			(C28E) CAP,FXD,CER DI:1000PF,+80-20%,200V	04222	SR152E102ZAA
C31	283-0156-00			CAP,FXD,CER DI:1000PF,+80-20%,200V	04222	SR152E102ZAA
C32	283-0156-00			CAP,FXD,CER DI:1000PF,+80-20%,200V	04222	SR152E102ZAA
C33	-----			(ADDED IF NECESSARY)		
C34	281-0064-00			CAP,VAR,PLASTIC:0.25-1.5PF,600V	52769	ER-530-013
C35	283-0000-00	B010100	B249999	CAP,FXD,CER DI:0.001UF,+100-0%,500V	59660	831-610-Y5U0102P
C35	281-0770-00	B250000		CAP,FXD,CER DI:1000PF,20%,100V	04222	MA101C102MAA
C36	283-0000-00	B010100	B249999	CAP,FXD,CER DI:0.001UF,+100-0%,500V	59660	831-610-Y5U0102P
C36	281-0770-00	B250000		CAP,FXD,CER DI:1000PF,20%,100V	04222	MA101C102MAA
C38	283-0000-00	B010100	B249999	CAP,FXD,CER DI:0.001UF,+100-0%,500V	59660	831-610-Y5U0102P
C38	281-0770-00	B250000		CAP,FXD,CER DI:1000PF,20%,100V	04222	MA101C102MAA
C40	283-0000-00	B200000	B229999	CAP,FXD,CER DI:0.001UF,+100-0%,500V	59660	831-610-Y5U0102P
C40	283-0346-00	B230000		CAP,FXD,CER DI:0.47UF,+80-20%,100V	20932	5034ES100RD474Z
C42	283-0000-00	B200000	B229999	CAP,FXD,CER DI:0.001UF,+100-0%,500V	59660	831-610-Y5U0102P
C42	283-0346-00	B230000		CAP,FXD,CER DI:0.47UF,+80-20%,100V	20932	5034ES100RD474Z
C44	283-0000-00	B010100	B249999	CAP,FXD,CER DI:0.001UF,+100-0%,500V	59660	831-610-Y5U0102P
C44	281-0770-00	B250000		CAP,FXD,CER DI:1000PF,20%,100V	04222	MA101C102MAA
C45	283-0000-00	B010100	B249999	CAP,FXD,CER DI:0.001UF,+100-0%,500V	59660	831-610-Y5U0102P
C45	281-0770-00	B250000		CAP,FXD,CER DI:1000PF,20%,100V	04222	MA101C102MAA
C46	283-0000-00			CAP,FXD,CER DI:0.001UF,+100-0%,500V	59660	831-610-Y5U0102P
C47	283-0059-00			CAP,FXD,CER DI:1UF,+80-20%,50V	04222	SR305C105MAA
C48	283-0059-00			CAP,FXD,CER DI:1UF,+80-20%,50V	04222	SR305C105MAA
C49	283-0000-00			CAP,FXD,CER DI:0.001UF,+100-0%,500V	59660	831-610-Y5U0102P
C50	283-0032-00			CAP,FXD,CER DI:470PF,5%,500V	59660	831-000-Z5E0471J
C51	283-0000-00	B200000	B229999	CAP,FXD,CER DI:0.001UF,+100-0%,500V	59660	831-610-Y5U0102P
C52	283-0032-00	B200000	B229999	CAP,FXD,CER DI:470PF,5%,500V	59660	831-000-Z5E0471J
C53	283-0000-00	B200000	B229999	CAP,FXD,CER DI:0.001UF,+100-0%,500V	59660	831-610-Y5U0102P
C54	283-0032-00	B200000	B229999	CAP,FXD,CER DI:470PF,5%,500V	59660	831-000-Z5E0471J
C55	283-0032-00	B010100	B249999	CAP,FXD,CER DI:470PF,5%,500V	59660	831-000-Z5E0471J
C55	281-0788-00	B250000		CAP,FXD,CER DI:470PF,10%,100V	04222	SA102C471KAA
C60	283-0000-00	B010100	B249999	CAP,FXD,CER DI:0.001UF,+100-0%,500V	59660	831-610-Y5U0102P
C60	281-0770-00	B250000		CAP,FXD,CER DI:1000PF,20%,100V	04222	MA101C102MAA
C61	283-0000-00	B010100	B249999	CAP,FXD,CER DI:0.001UF,+100-0%,500V	59660	831-610-Y5U0102P
C61	281-0770-00	B250000		CAP,FXD,CER DI:1000PF,20%,100V	04222	MA101C102MAA
C63	283-0000-00			CAP,FXD,CER DI:0.001UF,+100-0%,500V	59660	831-610-Y5U0102P
C65	283-0000-00			CAP,FXD,CER DI:0.001UF,+100-0%,500V	59660	831-610-Y5U0102P
C66	283-0000-00			CAP,FXD,CER DI:0.001UF,+100-0%,500V	59660	831-610-Y5U0102P
C70	283-0000-00			CAP,FXD,CER DI:0.001UF,+100-0%,500V	59660	831-610-Y5U0102P
C75	283-0000-00			CAP,FXD,CER DI:0.001UF,+100-0%,500V	59660	831-610-Y5U0102P
C102	281-0523-00			CAP,FXD,CER DI:100PF,20%,350V	52763	2RDPLZ007 100PMU
C110	283-0594-00			CAP,FXD,MICA DI:0.001UF,1%,100V	00853	D151F102F0
C112	283-0594-00			CAP,FXD,MICA DI:0.001UF,1%,100V	00853	D151F102F0
C113	281-0123-00			CAP,VAR,CER DI:5-25PF,100V	59660	518-000A5-25
C117	281-0672-00			CAP,FXD,CER DI:11.4PF,1%,500V	TK1134	374-018COG01149F
C122	281-0650-00			CAP,FXD,CER DI:18PF,10%,200V	59660	374-018COG0-180K
C124	281-0064-00			CAP,VAR,PLASTIC:0.25-1.5PF,600V	52769	ER-530-013
C131	283-0651-00			CAP,FXD,MICA DI:430PF,1%,500V	00853	D155F431F0
C134	281-0064-00			CAP,VAR,PLASTIC:0.25-1.5PF,600V	52769	ER-530-013
C143	283-0026-00			CAP,FXD,CER DI:0.2UF,+80-20%,25V	04222	SR305C204MAA
C150	281-0092-00			CAP,VAR,CER DI:9-35PF,200V	33095	53-717-001 D9-35
C163	281-0122-00			CAP,VAR,CER DI:2.5-9PF,100V	59660	518-000A2.5-9
C166	283-0000-00			CAP,FXD,CER DI:0.001UF,+100-0%,500V	59660	831-610-Y5U0102P
C170	281-0653-00			CAP,FXD,CER DI:3.3PF,4%,200V	52763	2RDPLZ007 3P30FC
C172	283-0000-00			CAP,FXD,CER DI:0.001UF,+100-0%,500V	59660	831-610-Y5U0102P

# Scan by Zenith

Replaceable Electrical Parts - 7A13  
(SN B200000 - up)

Component No.	Tektronix		Serial/Assembly No.		Name & Description	Mfr. Code	Mfr. Part No.
	Part No.	Effective	Dscont				
C176	283-0000-00				CAP, FXD, CER DI: 0.001UF, +100-0%, 500V	59660	831-610-Y5U0102P
C178	281-0650-00				CAP, FXD, CER DI: 18PF, 10%, 200V	59660	374-018COGO-180K
C180	281-0534-00				CAP, FXD, CER DI: 3.3PF, +/-0.25PF, 500V	52763	2RDPLZ007 3P30CC
C181	283-0000-00				CAP, FXD, CER DI: 0.001UF, +100-0%, 500V	59660	831-610-Y5U0102P
C183	281-0523-00				CAP, FXD, CER DI: 100PF, 20%, 350V	52763	2RDPLZ007 100PMU
C187	281-0158-00				CAP, VAR, CER DI: 7-45PF, 100WDC SUBMIN CER	59660	518-006 G 7-45
C190	283-0077-00				CAP, FXD, CER DI: 330PF, 5%, 500V	59660	831-500B331J
C191	281-0544-00				CAP, FXD, CER DI: 5.6PF, +/-0.5PF, 500V (C191A SELECTED AS A PAIR WITH C291A)	52763	2RDPLZ007 270PMO
C191	281-0544-00				CAP, FXD, CER DI: 5.6PF, +/-0.5PF, 500V (C191B SELECTED AS A PAIR WITH C291B)	52763	2RDPLZ007 270PMO
C197	281-0580-00				CAP, FXD, CER DI: 470PF, 10%, 500V	52763	2RDPLZ007 470PMO
C202	281-0523-00				CAP, FXD, CER DI: 100PF, 20%, 350V	52763	2RDPLZ007 100PMU
C210	283-0594-00				CAP, FXD, MICA DI: 0.001UF, 1%, 100V	00853	D151F102F0
C212	283-0594-00				CAP, FXD, MICA DI: 0.001UF, 1%, 100V	00853	D151F102F0
C213	281-0123-00				CAP, VAR, CER DI: 5-25PF, 100V	59660	518-000A5-25
C217	281-0672-00				CAP, FXD, CER DI: 11.4PF, 1%, 500V	TK1134	374-018COGO1149F
C222	281-0650-00				CAP, FXD, CER DI: 18PF, 10%, 200V	59660	374-018COGO-180K
C224	281-0064-00				CAP, VAR, PLASTIC: 0.25-1.5PF, 600V	52769	ER-530-013
C231	283-0651-00				CAP, FXD, MICA DI: 430PF, 1%, 500V	00853	D155F431F0
C234	281-0064-00				CAP, VAR, PLASTIC: 0.25-1.5PF, 600V	52769	ER-530-013
C243	283-0026-00				CAP, FXD, CER DI: 0.2UF, +80-20%, 25V	04222	SR305C204MAA
C250	281-0092-00				CAP, VAR, CER DI: 9-35PF, 200V	33095	53-717-001 D9-35
C272	283-0000-00				CAP, FXD, CER DI: 0.001UF, +100-0%, 500V	59660	831-610-Y5U0102P
C278	281-0650-00				CAP, FXD, CER DI: 18PF, 10%, 200V	59660	374-018COGO-180K
C280	281-0534-00				CAP, FXD, CER DI: 3.3PF, +/-0.25PF, 500V	52763	2RDPLZ007 3P30CC
C281	283-0000-00				CAP, FXD, CER DI: 0.001UF, +100-0%, 500V	59660	831-610-Y5U0102P
C283	281-0523-00				CAP, FXD, CER DI: 100PF, 20%, 350V	52763	2RDPLZ007 100PMU
C290	283-0077-00				CAP, FXD, CER DI: 330PF, 5%, 500V	59660	831-500B331J
C291	281-0544-00				CAP, FXD, CER DI: 5.6PF, +/-0.5PF, 500V (C291A SELECTED AS A PAIR WITH C191A)	52763	2RDPLZ007 270PMO
C291	281-0544-00				CAP, FXD, CER DI: 5.6PF, +/-0.5PF, 500V (C291B SELECTED AS A PAIR WITH C191B)	52763	2RDPLZ007 270PMO
C297	281-0580-00				CAP, FXD, CER DI: 470PF, 10%, 500V	52763	2RDPLZ007 470PMO
C300	281-0512-00				CAP, FXD, CER DI: 27PF, +/-2.7PF, 500V	52763	2RDPLZ007 27POKC
C301	281-0523-00				CAP, FXD, CER DI: 100PF, 20%, 350V	52763	2RDPLZ007 100PMU
C304	283-0032-00				CAP, FXD, CER DI: 470PF, 5%, 500V	59660	831-000-Z5E0471J
C308	283-0000-00	B010100	B249999		CAP, FXD, CER DI: 0.001UF, +100-0%, 500V	59660	831-610-Y5U0102P
C308	281-0770-00	B250000			CAP, FXD, CER DI: 1000PF, 20%, 100V	04222	MA101C102MAA
C311	281-0523-00				CAP, FXD, CER DI: 100PF, 20%, 350V	52763	2RDPLZ007 100PMU
C326	283-0108-00				CAP, FXD, CER DI: 220PF, 10%, 200V	04222	SR152A221KAA
C333	281-0512-00				CAP, FXD, CER DI: 27PF, +/-2.7PF, 500V	52763	2RDPLZ007 27POKC
C336	281-0638-00				CAP, FXD, CER DI: 240PF, 5%, 500V	52763	2RDPLZ007 240PMO
C337	281-0546-00				CAP, FXD, CER DI: 330PF, 10%, 500V	52763	2RDPLZ007 330PMO
C355	281-0623-00				CAP, FXD, CER DI: 650PF, 5%, 500V	52763	2RDPLZ007 650PMO
C364	283-0197-00				CAP, FXD, CER DI: 470PF, 5%, 50V	04222	SR205A471JAA
C372	281-0512-00				CAP, FXD, CER DI: 27PF, +/-2.7PF, 500V	52763	2RDPLZ007 27POKC
C374	281-0524-00				CAP, FXD, CER DI: 150PF, +/-30PF, 500V	52763	2RDPLZ007 150PMU
C375	281-0623-00				CAP, FXD, CER DI: 650PF, 5%, 500V	52763	2RDPLZ007 650PMO
C376	283-0000-00	B010100	B249999		CAP, FXD, CER DI: 0.001UF, +100-0%, 500V	59660	831-610-Y5U0102P
C376	281-0770-00	B250000			CAP, FXD, CER DI: 1000PF, 20%, 100V	04222	MA101C102MAA
C383	281-0512-00				CAP, FXD, CER DI: 27PF, +/-2.7PF, 500V	52763	2RDPLZ007 27POKC
C404	283-0032-00				CAP, FXD, CER DI: 470PF, 5%, 500V	59660	831-000-Z5E0471J
C408	283-0000-00	B010100	B249999		CAP, FXD, CER DI: 0.001UF, +100-0%, 500V	59660	831-610-Y5U0102P
C408	281-0770-00	B250000			CAP, FXD, CER DI: 1000PF, 20%, 100V	04222	MA101C102MAA
C411	281-0523-00				CAP, FXD, CER DI: 100PF, 20%, 350V	52763	2RDPLZ007 100PMU
C426	283-0108-00				CAP, FXD, CER DI: 220PF, 10%, 200V	04222	SR152A221KAA
C432	281-0550-00				CAP, FXD, CER DI: 120PF, 10%, 500V	52763	2RDPLZ007 120PMO



Component No.	Tektronix Part No.	Serial/Assembly No. Effective	Discont	Name & Description	Mfr. Code	Mfr. Part No.
C434	283-0000-00	B010100	B249999	CAP, FXD, CER DI: 0.001UF, +100-0%, 500V	59660	831-610-Y5U0102P
C434	281-0770-00	B250000		CAP, FXD, CER DI: 1000PF, 20%, 100V	04222	MA101C102MAA
C437	281-0546-00			CAP, FXD, CER DI: 330PF, 10%, 500V	52763	2RDPLZ007 330PMO
C439	281-0612-00			CAP, FXD, CER DI: 5.6PF, +/-0.5PF, 500V	52763	2RDPLZ007 5P6ODC
C455	281-0623-00			CAP, FXD, CER DI: 650PF, 5%, 500V	52763	2RDPLZ007 650PMO
C456	281-0612-00			CAP, FXD, CER DI: 5.6PF, +/-0.5PF, 500V	52763	2RDPLZ007 5P6ODC
C463	281-0512-00			CAP, FXD, CER DI: 27PF, +/-2.7PF, 500V	52763	2RDPLZ007 27PKOC
C464	281-0523-00			CAP, FXD, CER DI: 100PF, 20%, 350V	52763	2RDPLZ007 100PMU
C475	281-0623-00			CAP, FXD, CER DI: 650PF, 5%, 500V	52763	2RDPLZ007 650PMO
C477	281-0612-00			CAP, FXD, CER DI: 5.6PF, +/-0.5PF, 500V	52763	2RDPLZ007 5P6ODC
C490	283-0000-00	B010100	B249999	CAP, FXD, CER DI: 0.001UF, +100-0%, 500V	59660	831-610-Y5U0102P
C490	281-0770-00	B250000		CAP, FXD, CER DI: 1000PF, 20%, 100V	04222	MA101C102MAA
C491	283-0000-00	B010100	B249999	CAP, FXD, CER DI: 0.001UF, +100-0%, 500V	59660	831-610-Y5U0102P
C491	281-0770-00	B250000		CAP, FXD, CER DI: 1000PF, 20%, 100V	04222	MA101C102MAA
C492	281-0523-00			CAP, FXD, CER DI: 100PF, 20%, 350V	52763	2RDPLZ007 100PMU
C494	283-0032-00			CAP, FXD, CER DI: 470PF, 5%, 500V	59660	831-000-Z5E0471J
C505	290-0340-00	B010100	B249999	CAP, FXD, ELCTLT: 10UF, 10%, 50V	56289	109D106X9050C2
C505	290-0768-00	B250000		CAP, FXD, ELCTLT: 10UF, +50-20%, 100WDC	54473	ECE-A100V10L
C506	283-0134-00	B010100	B249999	CAP, FXD, CER DI: 0.47UF, 80-20%, 50V	05397	C330C474Z5U1CA
C506	283-0346-00	B250000		CAP, FXD, CER DI: 0.47UF, +80-20%, 100V	20932	5034E5100R0474Z
C507	283-0000-00			CAP, FXD, CER DI: 0.001UF, +100-0%, 500V	59660	831-610-Y5U0102P
C508	283-0000-00			CAP, FXD, CER DI: 0.001UF, +100-0%, 500V	59660	831-610-Y5U0102P
C509	283-0000-00			CAP, FXD, CER DI: 0.001UF, +100-0%, 500V	59660	831-610-Y5U0102P
C511	283-0001-00			CAP, FXD, CER DI: 0.005UF, +100-0%, 500V	59821	2DDH61L502P
C512	283-0001-00			CAP, FXD, CER DI: 0.005UF, +100-0%, 500V	59821	2DDH61L502P
C514	283-0000-00	B010100	B249999	CAP, FXD, CER DI: 0.001UF, +100-0%, 500V	59660	831-610-Y5U0102P
C514	281-0770-00	B250000		CAP, FXD, CER DI: 1000PF, 20%, 100V	04222	MA101C102MAA
C515	283-0000-00	B010100	B249999	CAP, FXD, CER DI: 0.001UF, +100-0%, 500V	59660	831-610-Y5U0102P
C515	281-0770-00	B250000		CAP, FXD, CER DI: 1000PF, 20%, 100V	04222	MA101C102MAA
C517	283-0177-00			CAP, FXD, CER DI: 1UF, +80-20%, 25V	04222	SR305E105ZAA
C518	290-0721-00	B010100	B249999	CAP, FXD, ELCTLT: 100UF, 20%, 20V	56289	196D107X0020TE3
C518	290-0973-00	B250000		CAP, FXD, ELCTLT: 100UF, 20%, 25VDC	55680	ULB1E101MPA
C519	283-0000-00	B010100	B249999	CAP, FXD, CER DI: 0.001UF, +100-0%, 500V	59660	831-610-Y5U0102P
C519	281-0770-00	B250000		CAP, FXD, CER DI: 1000PF, 20%, 100V	04222	MA101C102MAA
C520	283-0000-00			CAP, FXD, CER DI: 0.001UF, +100-0%, 500V	59660	831-610-Y5U0102P
C521	283-0000-00			CAP, FXD, CER DI: 0.001UF, +100-0%, 500V	59660	831-610-Y5U0102P
C522	283-0000-00	B010100	B249999	CAP, FXD, CER DI: 0.001UF, +100-0%, 500V	59660	831-610-Y5U0102P
C522	281-0770-00	B250000		CAP, FXD, CER DI: 1000PF, 20%, 100V	04222	MA101C102MAA
C527	283-0000-00			CAP, FXD, CER DI: 0.001UF, +100-0%, 500V	59660	831-610-Y5U0102P
C528	283-0178-00			CAP, FXD, CER DI: 0.1UF, 20%, 100V	05397	C330C104Z1U1CA
C530	283-0000-00	B010100	B249999	CAP, FXD, CER DI: 0.001UF, +100-0%, 500V	59660	831-610-Y5U0102P
C530	281-0770-00	B250000		CAP, FXD, CER DI: 1000PF, 20%, 100V	04222	MA101C102MAA
C532	283-0000-00	B010100	B249999	CAP, FXD, CER DI: 0.001UF, +100-0%, 500V	59660	831-610-Y5U0102P
C532	281-0770-00	B250000		CAP, FXD, CER DI: 1000PF, 20%, 100V	04222	MA101C102MAA
C534	283-0000-00			CAP, FXD, CER DI: 0.001UF, +100-0%, 500V	59660	831-610-Y5U0102P
C537	283-0000-00	B010100	B249999	CAP, FXD, CER DI: 0.001UF, +100-0%, 500V	59660	831-610-Y5U0102P
C537	281-0770-00	B250000		CAP, FXD, CER DI: 1000PF, 20%, 100V	04222	MA101C102MAA
C538	283-0000-00			CAP, FXD, CER DI: 0.001UF, +100-0%, 500V	59660	831-610-Y5U0102P
C542	283-0177-00			CAP, FXD, CER DI: 1UF, +80-20%, 25V	04222	SR305E105ZAA
C543	283-0000-00	B010100	B249999	CAP, FXD, CER DI: 0.001UF, +100-0%, 500V	59660	831-610-Y5U0102P
C543	281-0770-00	B250000		CAP, FXD, CER DI: 1000PF, 20%, 100V	04222	MA101C102MAA
C544	283-0000-00			CAP, FXD, CER DI: 0.001UF, +100-0%, 500V	59660	831-610-Y5U0102P
C545	283-0000-00			CAP, FXD, CER DI: 0.001UF, +100-0%, 500V	59660	831-610-Y5U0102P
C546	283-0000-00			CAP, FXD, CER DI: 0.001UF, +100-0%, 500V	59660	831-610-Y5U0102P
C548	283-0000-00	B010100	B249999	CAP, FXD, CER DI: 0.001UF, +100-0%, 500V	59660	831-610-Y5U0102P
C548	281-0770-00	B250000		CAP, FXD, CER DI: 1000PF, 20%, 100V	04222	MA101C102MAA
C549	283-0000-00	B010100	B249999	CAP, FXD, CER DI: 0.001UF, +100-0%, 500V	59660	831-610-Y5U0102P
C549	281-0770-00	B250000		CAP, FXD, CER DI: 1000PF, 20%, 100V	04222	MA101C102MAA

# Scan by Zenith

Replaceable Electrical Parts - 7A13  
(SN B200000 - up)

Component No.	Tektronix Part No.	Serial/Assembly No. Effective	Dscont	Name & Description	Mfr. Code	Mfr. Part No.
C552	283-0134-00	B010100	B249999	CAP, FXD, CER DI: 0.47UF, 80-20%, 50V	05397	C330C474Z5U1CA
C552	283-0346-00	B250000		CAP, FXD, CER DI: 0.47UF, +80-20%, 100V	20932	5034ES100RD474Z
C553	290-0340-00	B010100	B249999	CAP, FXD, ELCTLT: 10UF, 10%, 50V	56289	109D106X9050C2
C553	290-0768-00	B250000		CAP, FXD, ELCTLT: 10UF, +50-20%, 100WVDC	54473	ECE-A100V10L
C554	283-0000-00			CAP, FXD, CER DI: 0.001UF, +100-0%, 500V	59660	831-610-Y5U0102P
C555	283-0000-00			CAP, FXD, CER DI: 0.001UF, +100-0%, 500V	59660	831-610-Y5U0102P
C557	283-0000-00			CAP, FXD, CER DI: 0.001UF, +100-0%, 500V	59660	831-610-Y5U0102P
C565	290-0139-00			CAP, FXD, ELCTLT: 180UF, 20%, 6V	05397	T110C187M006AS
C566	283-0177-00			CAP, FXD, CER DI: 1UF, +80-20%, 25V	04222	SR305E105ZAA
C567	290-0114-00			CAP, FXD, ELCTLT: 47UF, 20%, 6V	05397	T110B476M006AS
C568	283-0177-00			CAP, FXD, CER DI: 1UF, +80-20%, 25V	04222	SR305E105ZAA
C569	283-0000-00			CAP, FXD, CER DI: 0.001UF, +100-0%, 500V	59660	831-610-Y5U0102P
C582	283-0000-00			CAP, FXD, CER DI: 0.001UF, +100-0%, 500V	59660	831-610-Y5U0102P
C601	283-0198-00			CAP, FXD, CER DI: 0.22UF, 20%, 50V	05397	C330C224M5U1CA
C603	283-0177-00	B220000		CAP, FXD, CER DI: 1UF, +80-20%, 25V	04222	SR305E105ZAA
C612	283-0177-00			CAP, FXD, CER DI: 1UF, +80-20%, 25V	04222	SR305E105ZAA
C615	290-0536-00	B010100	B249999	CAP, FXD, ELCTLT: 10UF, 20%, 25V TANTALUM	05397	T368B106M025AS
C615	290-0804-00	B250000		CAP, FXD, ELCTLT: 10UF, +50-20%, 25V	55680	ULB1E100TAAANA
C617	290-0536-00	B010100	B249999	CAP, FXD, ELCTLT: 10UF, 20%, 25V TANTALUM	05397	T368B106M025AS
C617	290-0804-00	B250000		CAP, FXD, ELCTLT: 10UF, +50-20%, 25V	55680	ULB1E100TAAANA
C625	283-0673-00			CAP, FXD, MICA DI: 455PF, 1%, 500V	00853	D155F4550F0
C627	283-0673-00	B010100	B249999	CAP, FXD, MICA DI: 455PF, 1%, 500V	00853	D155F4550F0
C627	283-0645-00	B250000		CAP, FXD, MICA DI: 790PF, 1%, 100V	00853	D153F791F0
C629	285-0651-01	B250000		CAP, FXD, PLASTIC: 1700PF, 5%, 100V	80009	285-0651-01
C632	283-0204-00	B010100	B249999	CAP, FXD, CER DI: 0.01UF, 20%, 50V	04222	SR155E103MAA
C635	290-0804-00	B250000		CAP, FXD, ELCTLT: 10UF, +50-20%, 25V	55680	ULB1E100TAAANA
C637	285-1096-00	B250000		CAP, FXD, PLASTIC: 1UF, 10%, 50V	14752	230B1A105K
C640	281-0775-00	B250000		CAP, FXD, CER DI: 0.1UF, 20%, 50V	04222	MA205E104MAA
C668	283-0177-00			CAP, FXD, CER DI: 1UF, +80-20%, 25V	04222	SR305E105ZAA
C670	283-0625-00	B010100	B249999	CAP, FXD, MICA DI: 220PF, 1%, 500V	00853	D105F221F0
C671	283-0024-00	B010100	B249999	CAP, FXD, CER DI: 0.1UF, +80-20%, 50V	04222	SR215C104MAA
C684	281-0759-00	B250000		CAP, FXD, CER DI: 22PF, 10%, 100V	04222	MA101A220KAA
C694	283-0177-00			CAP, FXD, CER DI: 1UF, +80-20%, 25V	04222	SR305E105ZAA
C701	283-0024-00	B010100	B249999	CAP, FXD, CER DI: 0.1UF, +80-20%, 50V	04222	SR215C104MAA
C702	290-0782-00	B250000		CAP, FXD, ELCTLT: 4.7UF, +75-20%, 35VDC	55680	ULB1V4R7TAAANA
C703	281-0770-00	B250000		CAP, FXD, CER DI: 1000PF, 20%, 100V	04222	MA101C102MAA
C704	290-0782-00	B250000		CAP, FXD, ELCTLT: 4.7UF, +75-20%, 35VDC	55680	ULB1V4R7TAAANA
C705	281-0770-00	B250000		CAP, FXD, CER DI: 1000PF, 20%, 100V	04222	MA101C102MAA
C706	285-0809-00	B010100	B249999	CAP, FXD, PLASTIC: 1UF, 10%, 50V	56289	LP66A1A105K
C728	281-0758-00	B250000		CAP, FXD, CER DI: 15PF, 20%, 100V	04222	SA102A150MAA
C743	283-0177-00			CAP, FXD, CER DI: 1UF, +80-20%, 25V	04222	SR305E105ZAA
CR6	152-0141-02			SEMICON DVC, DI: SW, SI, 30V, 150MA, 30V, DO-35	03508	DA2527 (1N4152)
CR7	152-0141-02			SEMICON DVC, DI: SW, SI, 30V, 150MA, 30V, DO-35	03508	DA2527 (1N4152)
CR10	152-0141-02			SEMICON DVC, DI: SW, SI, 30V, 150MA, 30V, DO-35	03508	DA2527 (1N4152)
CR30	152-0141-02			SEMICON DVC, DI: SW, SI, 30V, 150MA, 30V, DO-35	03508	DA2527 (1N4152)
CR35	152-0061-00			SEMICON DVC, DI: SW, SI, 175V, 0.1A, DO-35	07263	FDH2161
CR36	152-0061-00			SEMICON DVC, DI: SW, SI, 175V, 0.1A, DO-35	07263	FDH2161
CR40	152-0141-02			SEMICON DVC, DI: SW, SI, 30V, 150MA, 30V, DO-35	03508	DA2527 (1N4152)
CR41	152-0141-02			SEMICON DVC, DI: SW, SI, 30V, 150MA, 30V, DO-35	03508	DA2527 (1N4152)
CR42	152-0141-02			SEMICON DVC, DI: SW, SI, 30V, 150MA, 30V, DO-35	03508	DA2527 (1N4152)
CR43	152-0141-02			SEMICON DVC, DI: SW, SI, 30V, 150MA, 30V, DO-35	03508	DA2527 (1N4152)
CR44	152-0141-02			SEMICON DVC, DI: SW, SI, 30V, 150MA, 30V, DO-35	03508	DA2527 (1N4152)
CR45	152-0141-02			SEMICON DVC, DI: SW, SI, 30V, 150MA, 30V, DO-35	03508	DA2527 (1N4152)
CR46	152-0141-02			SEMICON DVC, DI: SW, SI, 30V, 150MA, 30V, DO-35	03508	DA2527 (1N4152)
CR47	152-0141-02			SEMICON DVC, DI: SW, SI, 30V, 150MA, 30V, DO-35	03508	DA2527 (1N4152)
CR48	152-0141-02			SEMICON DVC, DI: SW, SI, 30V, 150MA, 30V, DO-35	03508	DA2527 (1N4152)
CR50	152-0141-02	B230000		SEMICON DVC, DI: SW, SI, 30V, 150MA, 30V, DO-35	03508	DA2527 (1N4152)
CR51	152-0141-02	B230000		SEMICON DVC, DI: SW, SI, 30V, 150MA, 30V, DO-35	03508	DA2527 (1N4152)

Component No.	Tektronix Part No.	Serial/Assembly No. Effective	Dscont	Name & Description	Mfr. Code	Mfr. Part No.
CR53	152-0141-02	B230000		SEMICON DVC,DI:SW,SI,30V,150MA,30V,DO-35	03508	DA2527 (1N4152)
CR54	152-0141-02	B230000		SEMICON DVC,DI:SW,SI,30V,150MA,30V,DO-35	03508	DA2527 (1N4152)
CR66	152-0141-02			SEMICON DVC,DI:SW,SI,30V,150MA,30V,DO-35	03508	DA2527 (1N4152)
CR67	152-0141-02			SEMICON DVC,DI:SW,SI,30V,150MA,30V,DO-35	03508	DA2527 (1N4152)
CR77	152-0141-02			SEMICON DVC,DI:SW,SI,30V,150MA,30V,DO-35	03508	DA2527 (1N4152)
CR101	152-0367-00			SEMICON DVC,DI:SW,SI,30V,0.1A	80009	152-0367-00
CR102	152-0061-00			SEMICON DVC,DI:SW,SI,175V,0.1A,DO-35	07263	FDH2161
CR110	152-0061-00			SEMICON DVC,DI:SW,SI,175V,0.1A,DO-35	07263	FDH2161
CR112	152-0061-00			SEMICON DVC,DI:SW,SI,175V,0.1A,DO-35	07263	FDH2161
CR134	152-0061-00			SEMICON DVC,DI:SW,SI,175V,0.1A,DO-35	07263	FDH2161
CR150	153-0039-01			SEMICON DVC,UN: SIGNAL, PR W/HEAT SINK	80009	153-0039-01
CR152	152-0141-02			SEMICON DVC,DI:SW,SI,30V,150MA,30V,DO-35	03508	DA2527 (1N4152)
CR154	152-0141-02			SEMICON DVC,DI:SW,SI,30V,150MA,30V,DO-35	03508	DA2527 (1N4152)
CR155	152-0141-02			SEMICON DVC,DI:SW,SI,30V,150MA,30V,DO-35	03508	DA2527 (1N4152)
CR156	152-0141-02			SEMICON DVC,DI:SW,SI,30V,150MA,30V,DO-35	03508	DA2527 (1N4152)
CR157	152-0141-02			SEMICON DVC,DI:SW,SI,30V,150MA,30V,DO-35	03508	DA2527 (1N4152)
CR158	152-0141-02			SEMICON DVC,DI:SW,SI,30V,150MA,30V,DO-35	03508	DA2527 (1N4152)
CR159	152-0141-02			SEMICON DVC,DI:SW,SI,30V,150MA,30V,DO-35	03508	DA2527 (1N4152)
CR182	152-0141-02			SEMICON DVC,DI:SW,SI,30V,150MA,30V,DO-35	03508	DA2527 (1N4152)
CR201	152-0367-00			SEMICON DVC,DI:SW,SI,30V,0.1A	80009	152-0367-00
CR202	152-0061-00			SEMICON DVC,DI:SW,SI,175V,0.1A,DO-35	07263	FDH2161
CR210	152-0061-00			SEMICON DVC,DI:SW,SI,175V,0.1A,DO-35	07263	FDH2161
CR212	152-0061-00			SEMICON DVC,DI:SW,SI,175V,0.1A,DO-35	07263	FDH2161
CR234	152-0061-00			SEMICON DVC,DI:SW,SI,175V,0.1A,DO-35	07263	FDH2161
CR250	-----			(PART OF CR150)		
CR252	152-0141-02			SEMICON DVC,DI:SW,SI,30V,150MA,30V,DO-35	03508	DA2527 (1N4152)
CR282	152-0141-02			SEMICON DVC,DI:SW,SI,30V,150MA,30V,DO-35	03508	DA2527 (1N4152)
CR364	152-0141-02			SEMICON DVC,DI:SW,SI,30V,150MA,30V,DO-35	03508	DA2527 (1N4152)
CR365	152-0141-02			SEMICON DVC,DI:SW,SI,30V,150MA,30V,DO-35	03508	DA2527 (1N4152)
CR401	152-0271-00			SEMICON DVC,DI:VVC,SI,100V,10PF,DO-7	50101	C33-4001
CR632	152-0141-02	B250000		SEMICON DVC,DI:SW,SI,30V,150MA,30V,DO-35	03508	DA2527 (1N4152)
CR641	152-0141-02			SEMICON DVC,DI:SW,SI,30V,150MA,30V,DO-35	03508	DA2527 (1N4152)
CR645	152-0141-02			SEMICON DVC,DI:SW,SI,30V,150MA,30V,DO-35	03508	DA2527 (1N4152)
CR649	152-0141-02			SEMICON DVC,DI:SW,SI,30V,150MA,30V,DO-35	03508	DA2527 (1N4152)
CR651	152-0141-02			SEMICON DVC,DI:SW,SI,30V,150MA,30V,DO-35	03508	DA2527 (1N4152)
CR653	152-0141-02			SEMICON DVC,DI:SW,SI,30V,150MA,30V,DO-35	03508	DA2527 (1N4152)
CR655	152-0141-02			SEMICON DVC,DI:SW,SI,30V,150MA,30V,DO-35	03508	DA2527 (1N4152)
CR702	152-0246-00	B010100	B249999	SEMICON DVC,DI:SW,SI,40V,200MA,DO-7	14433	WG1537TK
CR715	152-0141-02	B010100	B249999	SEMICON DVC,DI:SW,SI,30V,150MA,30V,DO-35	03508	DA2527 (1N4152)
CR718	152-0141-02	B010100	B249999	SEMICON DVC,DI:SW,SI,30V,150MA,30V,DO-35	03508	DA2527 (1N4152)
DS1	150-0048-01			LAMP, INCAND: 5V, 0.06A, #683, AGED & SEL	58854	683AS15
DS10	150-0048-01			LAMP, INCAND: 5V, 0.06A, #683, AGED & SEL	58854	683AS15
DS21	150-0048-01			LAMP, INCAND: 5V, 0.06A, #683, AGED & SEL	58854	683AS15
DS47	150-0084-00			LAMP, GLOW: 50-60V MAX, 0.3MA, 5AB-BT, WIRE LEAD	58224	2AA
DS490	150-0048-01			LAMP, INCAND: 5V, 0.06A, #683, AGED & SEL	58854	683AS15
DS570	150-0048-01			LAMP, INCAND: 5V, 0.06A, #683, AGED & SEL	58854	683AS15
J1	131-0679-02			CONN, RCPT, ELEC: BNC, FEMALE, 3 CONTACT	24931	28JR382-1
J21	131-0679-02			CONN, RCPT, ELEC: BNC, FEMALE, 3 CONTACT	24931	28JR382-1
K6	148-0055-00			RELAY, ARMATURE: SPDT&SPST, NO, 15VDC	80009	148-0055-00
K7	148-0054-00			RELAY, ARMATURE: SPDT&SPST, NC, 15VDC	80009	148-0054-00
K10	148-0050-00			RELAY, ARMATURE: SPST, 12VDC	80009	148-0050-00
K26	148-0055-00			RELAY, ARMATURE: SPDT&SPST, NO, 15VDC	80009	148-0055-00
K27	148-0054-00			RELAY, ARMATURE: SPDT&SPST, NC, 15VDC	80009	148-0054-00
K30	148-0050-00			RELAY, ARMATURE: SPST, 12VDC	80009	148-0050-00
K47	148-0034-00			RELAY, ARMATURE: DPDT, 15VDC, 600 OHM	80009	148-0034-00
K48	148-0034-00			RELAY, ARMATURE: DPDT, 15VDC, 600 OHM	80009	148-0034-00
K60	148-0035-00			RELAY, ARMATURE: SPDT, 15VDC, 600 OHM	80009	148-0035-00
K61	148-0035-00			RELAY, ARMATURE: SPDT, 15VDC, 600 OHM	80009	148-0035-00

# Scan by Zenith

Replaceable Electrical Parts - 7A13  
(SN B200000 - up)

Component No.	Tektronix Part No.	Serial/Assembly No. Effective	Dscnt	Name & Description	Mfr. Code	Mfr. Part No.
K480	148-0034-00			RELAY, ARMATURE: DPDT, 15VDC, 600 OHM	80009	148-0034-00
K490	148-0034-00			RELAY, ARMATURE: DPDT, 15VDC, 600 OHM	80009	148-0034-00
L2	108-0536-00			COIL, RF: FIXED, 165UH	80009	108-0536-00
L4	108-0535-00			COIL, RF: FIXED, 165UH	80009	108-0535-00
L25	-----			(PART OF MAIN CABLE)		
L26	-----			(PART OF MAIN CABLE)		
L27	-----			(PART OF MAIN CABLE)		
L40	-----			(PART OF MAIN CABLE)		
L42	-----			(PART OF MAIN CABLE)		
L364	108-0095-00			COIL, RF: FIXED, 1.33UH	TK1345	108-0095-00
L384	108-0095-00			COIL, RF: FIXED, 1.33UH	TK1345	108-0095-00
L464	108-0095-00			COIL, RF: FIXED, 1.33UH	TK1345	108-0095-00
L484	108-0095-00			COIL, RF: FIXED, 1.33UH	TK1345	108-0095-00
L503	276-0507-00			SHLD BEAD, ELEK: FERRITE	02114	56-590-65B/3B
L505	276-0507-00			SHLD BEAD, ELEK: FERRITE	02114	56-590-65B/3B
L515	276-0507-00			SHLD BEAD, ELEK: FERRITE	02114	56-590-65B/3B
L517	276-0507-00			SHLD BEAD, ELEK: FERRITE	02114	56-590-65B/3B
L538	108-0520-00			COIL, RF: FIXED, 2.2UH	80009	108-0520-00
L540	276-0507-00			SHLD BEAD, ELEK: FERRITE	02114	56-590-65B/3B
L542	276-0507-00			SHLD BEAD, ELEK: FERRITE	02114	56-590-65B/3B
L550	276-0507-00			SHLD BEAD, ELEK: FERRITE	02114	56-590-65B/3B
L552	276-0507-00			SHLD BEAD, ELEK: FERRITE	02114	56-590-65B/3B
L563	276-0507-00			SHLD BEAD, ELEK: FERRITE	02114	56-590-65B/3B
L564	120-0382-00			COIL, RF: 210UH, +28%-43%, 14 TURNS	80009	120-0382-00
L565	276-0507-00			SHLD BEAD, ELEK: FERRITE	02114	56-590-65B/3B
L566	276-0507-00			SHLD BEAD, ELEK: FERRITE	02114	56-590-65B/3B
L567	120-0382-00			COIL, RF: 210UH, +28%-43%, 14 TURNS	80009	120-0382-00
L568	276-0507-00			SHLD BEAD, ELEK: FERRITE	02114	56-590-65B/3B
L668	108-0440-00			COIL, RF: FIXED, 8UH	80009	108-0440-00
LR60	108-0520-00			COIL, RF: FIXED, 2.2UH	80009	108-0520-00
LR504	108-0537-00			COIL, RF: FIXED, 200UH	80009	108-0537-00
LR507	108-0520-00			COIL, RF: FIXED, 2.2UH	80009	108-0520-00
LR508	108-0520-00			COIL, RF: FIXED, 2.2UH	80009	108-0520-00
LR509	108-0520-00			COIL, RF: FIXED, 2.2UH	80009	108-0520-00
LR511	108-0519-00			COIL, RF: FIXED, 1.4UH	TK1345	108-0519-00
LR512	108-0519-00			COIL, RF: FIXED, 1.4UH	TK1345	108-0519-00
LR514	108-0520-00			COIL, RF: FIXED, 2.2UH	80009	108-0520-00
LR516	108-0537-00			COIL, RF: FIXED, 200UH	80009	108-0537-00
LR520	108-0520-00			COIL, RF: FIXED, 2.2UH	80009	108-0520-00
LR527	108-0520-00			COIL, RF: FIXED, 2.2UH	80009	108-0520-00
LR530	108-0520-00			COIL, RF: FIXED, 2.2UH	80009	108-0520-00
LR537	108-0520-00			COIL, RF: FIXED, 2.2UH	80009	108-0520-00
LR541	108-0537-00			COIL, RF: FIXED, 200UH	80009	108-0537-00
LR544	108-0520-00			COIL, RF: FIXED, 2.2UH	80009	108-0520-00
LR545	108-0520-00			COIL, RF: FIXED, 2.2UH	80009	108-0520-00
LR546	108-0520-00			COIL, RF: FIXED, 2.2UH	80009	108-0520-00
LR548	108-0520-00			COIL, RF: FIXED, 2.2UH	80009	108-0520-00
LR549	108-0520-00			COIL, RF: FIXED, 2.2UH	80009	108-0520-00
LR551	108-0537-00			COIL, RF: FIXED, 200UH	80009	108-0537-00
LR554	108-0520-00			COIL, RF: FIXED, 2.2UH	80009	108-0520-00
LR555	108-0520-00			COIL, RF: FIXED, 2.2UH	80009	108-0520-00
LR557	108-0520-00			COIL, RF: FIXED, 2.2UH	80009	108-0520-00
LR569	108-0520-00			COIL, RF: FIXED, 2.2UH	80009	108-0520-00
LR615	108-0114-00			COIL, RF: FIXED, 5.2UH	TK1345	108-0114-00
Q20	151-0276-00			TRANSISTOR: PNP, SI, TO-92	04713	SPS8025
Q40	151-0254-00	B200000	8236909	TRANSISTOR: DARLINGTON, NPN, SI, 625MW, TO-92	03508	X38L3118
Q40	151-0281-00	B236910		TRANSISTOR: NPN, SI, 400 MILLIWATTS	80009	151-0281-00
Q60	151-0192-00			TRANSISTOR: NPN, SI, TO-92	04713	SPS8801

# Scan by Zenith

Replaceable Electrical Parts - 7A13  
(SN B200000 - up)

Component No.	Tektronix		Serial/Assembly No.		Name & Description	Mfr. Code	Mfr. Part No.
	Part No.	Effective	Discont				
Q65	151-0254-00				TRANSISTOR:DARLINGTON,NPN,SI,625MM,TO-92	03508	X38L3118
Q70	151-0254-00				TRANSISTOR:DARLINGTON,NPN,SI,625MM,TO-92	03508	X38L3118
Q75	151-0254-00				TRANSISTOR:DARLINGTON,NPN,SI,625MM,TO-92	03508	X38L3118
Q105	151-0220-00				TRANSISTOR:PNP,SI,TO-92	80009	151-0220-00
Q110	151-0250-00				TRANSISTOR:NPN,SI,TO-104	07263	S036744
Q115	153-0574-00				SEMICONV DVC SE:MATCHED PAIR	80009	153-0574-00
Q118	153-0633-00				SEMICONV DVC SE:MATCHED PAIR	80009	153-0633-00
Q120	153-0559-00				SEMICONV DVC SE:MATCHED PAIR	80009	153-0559-00
Q130	151-0268-00				TRANSISTOR:NPN,SI,TO-77	25403	A2607
Q140	151-0220-00				TRANSISTOR:PNP,SI,TO-92	80009	151-0220-00
Q145	153-0576-00				SEMICONV DVC SE:MATCHED PAIR	80009	153-0576-00
Q152	153-0575-00				SEMICONV DVC SE:MATCHED PAIR	80009	153-0575-00
Q160	151-0268-00				TRANSISTOR:NPN,SI,TO-77	25403	A2607
Q165	151-0220-00				TRANSISTOR:PNP,SI,TO-92	80009	151-0220-00
Q170	153-0574-00				SEMICONV DVC SE:MATCHED PAIR	80009	153-0574-00
Q180	151-0190-01				TRANSISTOR:NPN,SI,TO-92	80009	151-0190-01
Q182	151-0221-00				TRANSISTOR:PNP,SI,TO-92	80009	151-0221-00
Q185	151-0272-00				TRANSISTOR:PNP,SI,TO-78	80009	151-0272-00
Q195	151-0272-00				TRANSISTOR:PNP,SI,TO-78	80009	151-0272-00
Q205	151-0220-00				TRANSISTOR:PNP,SI,TO-92	80009	151-0220-00
Q210	151-0250-00				TRANSISTOR:NPN,SI,TO-104	07263	S036744
Q215	-----				(PART OF Q115)		
Q218	-----				(PART OF Q118)		
Q220	-----				(PART OF Q120)		
Q240	151-0220-00				TRANSISTOR:PNP,SI,TO-92	80009	151-0220-00
Q245	-----				(PART OF Q145)		
Q252	-----				(PART OF Q152)		
Q255	151-0103-00				TRANSISTOR:NPN,SI,TO-5	80009	151-0103-00
Q258	151-0220-00				TRANSISTOR:PNP,SI,TO-92	80009	151-0220-00
Q270	-----				(PART OF Q170)		
Q280	151-0190-01				TRANSISTOR:NPN,SI,TO-92	80009	151-0190-01
Q282	151-0221-00				TRANSISTOR:PNP,SI,TO-92	80009	151-0221-00
Q300	151-0268-00				TRANSISTOR:NPN,SI,TO-77	25403	A2607
Q320	151-0267-00	B010100	B246737		TRANSISTOR:NPN,SI,TO-99/TO-78	80009	151-0267-00
Q320	151-0268-00	B246738			TRANSISTOR:NPN,SI,TO-77	25403	A2607
Q330	151-0434-00	B200000	B238699		TRANSISTOR:PNP,SI,TO-72	04713	SS7144
Q330	151-0221-00	B238700			TRANSISTOR:PNP,SI,TO-92	80009	151-0221-00
Q340	151-0434-00	B200000	B238699		TRANSISTOR:PNP,SI,TO-72	04713	SS7144
Q340	151-0221-00	B238700			TRANSISTOR:PNP,SI,TO-92	80009	151-0221-00
Q350	151-0212-00				TRANSISTOR:NPN,SI,TO-72	04713	SRF 518
Q360	151-0259-00				TRANSISTOR:NPN,SI,TO-106	07263	S39288
Q370	151-0212-00				TRANSISTOR:NPN,SI,TO-72	04713	SRF 518
Q380	151-0259-00				TRANSISTOR:NPN,SI,TO-106	07263	S39288
Q430	151-0434-00	B200000	B238699		TRANSISTOR:PNP,SI,TO-72	04713	SS7144
Q430	151-0221-00	B238700			TRANSISTOR:PNP,SI,TO-92	80009	151-0221-00
Q440	151-0434-00	B200000	B238699		TRANSISTOR:PNP,SI,TO-72	04713	SS7144
Q440	151-0221-00	B238700			TRANSISTOR:PNP,SI,TO-92	80009	151-0221-00
Q450	151-0212-00				TRANSISTOR:NPN,SI,TO-72	04713	SRF 518
Q460	151-0259-00				TRANSISTOR:NPN,SI,TO-106	07263	S39288
Q470	151-0212-00				TRANSISTOR:NPN,SI,TO-72	04713	SRF 518
Q480	151-0259-00				TRANSISTOR:NPN,SI,TO-106	07263	S39288
Q500	151-0220-00				TRANSISTOR:PNP,SI,TO-92	80009	151-0220-00
Q505	151-0260-00				TRANSISTOR:NPN,SI,TO-39	80009	151-0260-00
Q520	151-0190-01				TRANSISTOR:NPN,SI,TO-92	80009	151-0190-01
Q530	151-0220-00				TRANSISTOR:PNP,SI,TO-92	80009	151-0220-00
Q604	151-0188-00				TRANSISTOR:PNP,SI,TO-92	80009	151-0188-00
Q607	151-0188-00				TRANSISTOR:PNP,SI,TO-92	80009	151-0188-00
Q611	151-0331-00				TRANSISTOR:NPN,SI	03508	X40CR115

# Scan by Zenith

Replaceable Electrical Parts - 7A13  
(SN B200000 - up)

Component No.	Tektronix Part No.	Serial/Assembly No. Effective	Discort	Name & Description	Mfr. Code	Mfr. Part No.
Q623	151-0190-00			TRANSISTOR:NPN,SI,TO-92	80009	151-0190-00
Q629	151-0190-00			TRANSISTOR:NPN,SI,TO-92	80009	151-0190-00
Q632	151-0190-00	B010100	B249999	TRANSISTOR:NPN,SI,TO-92	80009	151-0190-00
Q637	151-0254-00			TRANSISTOR:DARLINGTON,NPN,SI,625MW,TO-92	03508	X38L3118
Q640	151-0254-00			TRANSISTOR:DARLINGTON,NPN,SI,625MW,TO-92	03508	X38L3118
Q644	151-0254-00			TRANSISTOR:DARLINGTON,NPN,SI,625MW,TO-92	03508	X38L3118
Q648	151-0254-00			TRANSISTOR:DARLINGTON,NPN,SI,625MW,TO-92	03508	X38L3118
Q658	151-0220-00			TRANSISTOR:PNP,SI,TO-92	80009	151-0220-00
Q676	151-0190-00	B010100	B249999	TRANSISTOR:NPN,SI,TO-92	80009	151-0190-00
Q717	151-0190-00	B010100	B249999	TRANSISTOR:NPN,SI,TO-92	80009	151-0190-00
R1	315-0105-00			RES,FXD,FILM:1M OHM,5%,0.25W	19701	5043CX1M000J
R2	307-0112-00			RES,FXD,CMPSN:4.3 OHM,5%,0.25W	80009	307-0112-00
R3	315-0470-00			RES,FXD,FILM:47 OHM,5%,0.25W	57668	NTR25J-E47E0
R5	325-0004-00			RES SET,MATCHED:900K OHM,0.1%,0.25W,TC=T5, (R5A)	03888	A3DT14
R5	317-0111-00	B200000	B209999	RES,FXD,CMPSN:110 OHM,5%,0.125W (R5C)	01121	BB1115
R5	317-0201-00	B210000		RES,FXD,CMPSN:200 OHM,5%,0.125W (R5C)	01121	BB2015
R5	325-0020-00			RES SET,MATCHED:110.6K AND 111K OHM,0.1% (R5D)	03888	A3DT16
R5	311-0635-00			RES,VAR,NONNW:TRMR,1K OHM,0.5W (R5E)	32997	3329H-L58-102
R6	322-0625-03			RES,FXD,FILM:995K OHM,0.25%,0.25W,TC=T2	19701	5043RC995K0C
R7	311-0607-00			RES,VAR,NONNW:TRMR,10K OHM,0.5W	73138	82-25-2
R8	325-0004-00			RES SET,MATCHED:900K OHM,0.1%,0.25W,TC=T5, (R8A)	03888	A3DT14
R8	315-0511-00			RES,FXD,FILM:510 OHM,5%,0.25W (R8D)	19701	5043CX510R0J
R8	317-0241-00	B200000	B209999	RES,FXD,CMPSN:240 OHM,5%,0.125W (R8E)	01121	BB2415
R8	317-0151-00	B210000		RES,FXD,CMPSN:150 OHM,5%,0.125W (R8E)	01121	BB1515
R8	325-0038-00			RES SET,MATCHED:110.8K OHM,MATCHED RES. (R8F)	03888	A3DT34
R8	311-0634-00			RES,VAR,NONNW:TRMR,500 OHM,0.5W (R8G)	32997	3329H-L58-501
R10	315-0101-00			RES,FXD,FILM:100 OHM,5%,0.25W	57668	NTR25J-E 100E
R14	315-0751-00			RES,FXD,FILM:750 OHM,5%,0.25W	57668	NTR25J-E750E
R20	315-0473-00			RES,FXD,FILM:47K OHM,5%,0.25W	57668	NTR25J-E47K0
R21	315-0105-00			RES,FXD,FILM:1M OHM,5%,0.25W	19701	5043CX1M000J
R22	307-0112-00			RES,FXD,CMPSN:4.3 OHM,5%,0.25W	80009	307-0112-00
R23	315-0470-00			RES,FXD,FILM:47 OHM,5%,0.25W	57668	NTR25J-E47E0
R25	-----			(R25A.PART OF R5A)		
R25	317-0511-00	B210000		RES,FXD,CMPSN:510 OHM,5%,0.125W (R25B)	01121	BB5115
R25	317-0201-00			RES,FXD,CMPSN:200 OHM,5%,0.125W (R25C)	01121	BB2015
R25	-----			(R25D.PART OF R5D)		
R26	322-0625-03			RES,FXD,FILM:995K OHM,0.25%,0.25W,TC=T2	19701	5043RC995K0C
R27	311-0607-00			RES,VAR,NONNW:TRMR,10K OHM,0.5W	73138	82-25-2
R28	-----			(R28A.PART OF R8A)		
R28	315-0511-00			RES,FXD,FILM:510 OHM,5%,0.25W (R28D)	19701	5043CX510R0J
R28	317-0151-00			RES,FXD,CMPSN:150 OHM,5%,0.125W (R28E)	01121	BB1515
R28	311-0634-00			RES,VAR,NONNW:TRMR,500 OHM,0.5W (R28G)	32997	3329H-L58-501
R30	315-0101-00			RES,FXD,FILM:100 OHM,5%,0.25W	57668	NTR25J-E 100E
R34	315-0162-00			RES,FXD,FILM:1.6K OHM,5%,0.25W	19701	5043CX1K600J

Component No.	Tektronix		Serial/Assembly No.		Name & Description	Mfr. Code	Mfr. Part No.
	Part No.		Effective	Discont			
R35	315-0153-00				RES, FXD, FILM:15K OHM, 5%, 0.25W	19701	5043CX15K00J
R36	315-0363-00				RES, FXD, FILM:36K OHM, 5%, 0.25W	57668	NTR25J-E36K0
R38	315-0104-00				RES, FXD, FILM:100K OHM, 5%, 0.25W	57668	NTR25J-E100K
R40	321-0223-00				RES, FXD, FILM:2.05K OHM, 1%, 0.125W, TC=TO	19701	5033ED2K05F
R41	315-0101-00				RES, FXD, FILM:100 OHM, 5%, 0.25W	57668	NTR25J-E 100E
R42	321-0223-00				RES, FXD, FILM:2.05K OHM, 1%, 0.125W, TC=TO	19701	5033ED2K05F
R45	315-0123-00				RES, FXD, FILM:12K OHM, 5%, 0.25W	57668	NTR25J-E12K0
R46	321-0299-00				RES, FXD, FILM:12.7K OHM, 1%, 0.125W, TC=TO	19701	5033ED12K70F
R47	315-0151-00				RES, FXD, FILM:150 OHM, 5%, 0.25W	57668	NTR25J-E150E
R49	317-0151-00	B230000			RES, FXD, CMPSN:150 OHM, 5%, 0.125W	01121	BB1515
R50	317-0151-00	B230000			RES, FXD, CMPSN:150 OHM, 5%, 0.125W	01121	BB1515
R51	315-0154-00				RES, FXD, FILM:150K OHM, 5%, 0.25W (R51A)	57668	NTR25J-E150K
R51	315-0753-00				RES, FXD, FILM:75K OHM, 5%, 0.25W (R51B)	57668	NTR25J-E75K0
R52	321-0344-00				RES, FXD, FILM:37.4K OHM, 1%, 0.125W, TC=TO (R52A)	19701	5033ED 37K40F
R52	315-0154-00				RES, FXD, FILM:150K OHM, 5%, 0.25W (R52B)	57668	NTR25J-E150K
R53	315-0753-00				RES, FXD, FILM:75K OHM, 5%, 0.25W	57668	NTR25J-E75K0
R54	315-0154-00				RES, FXD, FILM:150K OHM, 5%, 0.25W	57668	NTR25J-E150K
R55	315-0513-00				RES, FXD, FILM:51K OHM, 5%, 0.25W	57668	NTR25J-E51K0
R56	315-0753-00				RES, FXD, FILM:75K OHM, 5%, 0.25W	57668	NTR25J-E75K0
R57	315-0154-00				RES, FXD, FILM:150K OHM, 5%, 0.25W	57668	NTR25J-E150K
R58	315-0753-00				RES, FXD, FILM:75K OHM, 5%, 0.25W	57668	NTR25J-E75K0
R59	321-0344-00				RES, FXD, FILM:37.4K OHM, 1%, 0.125W, TC=TO	19701	5033ED 37K40F
R61	315-0822-00				RES, FXD, FILM:8.2K OHM, 5%, 0.25W	19701	5043CX8K200J
R63	321-0271-00				RES, FXD, FILM:6.49K OHM, 1%, 0.125W, TC=TO	07716	CEAD64900F
R64	321-0352-00				RES, FXD, FILM:45.3K OHM, 1%, 0.125W, TC=TO	07716	CEAD45301F
R65	321-0404-00				RES, FXD, FILM:158K OHM, 1%, 0.125W, TC=TO	07716	CEAD15802F
R66	321-0434-00				RES, FXD, FILM:324K OHM, 1%, 0.125W, TC=TO	07716	CEAD32402F
R71	321-0349-00				RES, FXD, FILM:42.2K OHM, 1%, 0.125W, TC=TO	07716	CEAD42201F
R72	315-0302-00				RES, FXD, FILM:3K OHM, 5%, 0.25W	57668	NTR25J-E03K0
R73	321-0281-00				RES, FXD, FILM:8.25K OHM, 1%, 0.125W, TC=TO	19701	5043ED8K250F
R74	321-0377-00				RES, FXD, FILM:82.5K OHM, 1%, 0.125W, TC=TO	07716	CEAD82501F
R75	321-0297-00				RES, FXD, FILM:12.1K OHM, 1%, 0.125W, TC=TO	07716	CEAD12101F
R76	315-0512-00				RES, FXD, FILM:5.1K OHM, 5%, 0.25W	57668	NTR25J-E05K1
R77	321-0347-00				RES, FXD, FILM:40.2K OHM, 1%, 0.125W, TC=TO	91637	CMF55116640201F
R103	315-0104-00				RES, FXD, FILM:100K OHM, 5%, 0.25W	57668	NTR25J-E100K
R104	323-0318-00				RES, FXD, FILM:20.0K OHM, 1%, 0.5W, TC=TO	91637	MFF1226D20001F
R105	315-0221-00				RES, FXD, FILM:220 OHM, 5%, 0.25W	57668	NTR25J-E220E
R109	323-0304-00				RES, FXD, FILM:14.3K OHM, 1%, 0.5W, TC=TO	19701	5053RD14K30F
R112	321-0276-00				RES, FXD, FILM:7.32K OHM, 1%, 0.125W, TC=TO	19701	5043ED7K320F
R113	315-0750-00				RES, FXD, FILM:75 OHM, 5%, 0.25W	57668	NTR25J-E75E0
R115	315-0101-00				RES, FXD, FILM:100 OHM, 5%, 0.25W	57668	NTR25J-E 100E
R117	315-0222-00				RES, FXD, FILM:2.2K OHM, 5%, 0.25W	57668	NTR25J-E02K2
R119	315-0181-00				RES, FXD, FILM:180 OHM, 5%, 0.25W	57668	NTR25J-E180E
R122	315-0111-00				RES, FXD, FILM:110 OHM, 5%, 0.25W	57668	NTR25J-E110E
R124	321-0212-00				RES, FXD, FILM:1.58K OHM, 1%, 0.125W, TC=TO	19701	5033ED1K58F
R126	321-0190-00				RES, FXD, FILM:931 OHM, 1%, 0.125W, TC=TO	19701	5043ED931ROF
R131	315-0681-00				RES, FXD, FILM:680 OHM, 5%, 0.25W	57668	NTR25J-E680E
R134	321-0195-00				RES, FXD, FILM:1.05K OHM, 1%, 0.125W, TC=TO	07716	CEAD10500F
R140	321-0356-00				RES, FXD, FILM:49.9K OHM, 1%, 0.125W, TC=TO	19701	5033ED49K90F
R141	321-0356-00				RES, FXD, FILM:49.9K OHM, 1%, 0.125W, TC=TO	19701	5033ED49K90F
R142	315-0153-00				RES, FXD, FILM:15K OHM, 5%, 0.25W	19701	5043CX15K00J
R143	321-0308-00				RES, FXD, FILM:15.8K OHM, 1%, 0.125W, TC=TO	07716	CEAD 15801F
R147	308-0304-00				RES, FXD, WW:1.5K OHM, 1%, 3W	44655	43F1K5
R152	321-0314-00				RES, FXD, FILM:18.2K OHM, 1%, 0.125W, TC=TO	19701	5043ED18K20F
R155	315-0472-00				RES, FXD, FILM:4.7K OHM, 5%, 0.25W	57668	NTR25J-E04K7

Replaceable Electrical Parts - 7A13  
 (SN B200000 - up)

Component No.	Tektronix	Serial/Assembly No.		Name & Description	Mfr.	Mfr. Part No.
	Part No.	Effective	Dscont		Code	
R156	315-0103-00			RES,FXD,FILM:10K OHM,5%,0.25W	19701	5043CX10K00J
R157	315-0472-00			RES,FXD,FILM:4.7K OHM,5%,0.25W	57668	NTR25J-E04K7
R160	315-0562-00			RES,FXD,FILM:5.6K OHM,5%,0.25W	57668	NTR25J-E05K6
R162	321-0099-00			RES,FXD,FILM:105 OHM,1%,0.125W,TC=TO	07716	CEAD105R0F
R163	315-0301-00			RES,FXD,FILM:300 OHM,5%,0.25W	57668	NTR25J-E300E
R164	315-0331-00			RES,FXD,FILM:330 OHM,5%,0.25W	57668	NTR25J-E330E
R166	315-0163-00			RES,FXD,FILM:16K OHM,5%,0.25W	57668	NTR25J-E 16K
R167	311-0609-00			RES,VAR,NONNW:TRMR,2K OHM,0.5W	32997	3329H-L58-202
R168	315-0202-00			RES,FXD,FILM:2K OHM,5%,0.25W	57668	NTR25J-E 2K
R169	315-0200-00			RES,FXD,FILM:20 OHM,5%,0.25W	19701	5043CX20R00J
R170	315-0300-00			RES,FXD,FILM:30 OHM,5%,0.25W	19701	5043CX30R00J
R172	315-0203-00			RES,FXD,FILM:20K OHM,5%,0.25W	57668	NTR25J-E 20K
R173	311-1232-00			RES,VAR,NONNW:TRMR,50K OHM,0.5W	32997	3386F-T04-503
R174	315-0393-00			RES,FXD,FILM:39K OHM,5%,0.25W	57668	NTR25J-E39K0
R175	311-0641-00			RES,VAR,NONNW:PWL,20K OHM,0.5W	01121	W7441A
R176	315-0304-00			RES,FXD,FILM:300K OHM,5%,0.25W	57668	NTR25J-E300K
R177	311-1094-00			RES,VAR,NONNW:PWL,2.5K OHM,0.5W,W/SW	01121	GH-7709A
R178	321-0077-00			RES,FXD,FILM:61.9 OHM,1%,0.125W,TC=TO	91637	CMF55116G61R90F
R179	315-0221-00			RES,FXD,FILM:220 OHM,5%,0.25W	57668	NTR25J-E220E
R180	315-0752-00			RES,FXD,FILM:7.5K OHM,5%,0.25W	57668	NTR25J-E07K5
R181	315-0513-00			RES,FXD,FILM:51K OHM,5%,0.25W	57668	NTR25J-E51K0
R182	315-0103-00			RES,FXD,FILM:10K OHM,5%,0.25W	19701	5043CX10K00J
R183	315-0302-00			RES,FXD,FILM:3K OHM,5%,0.25W	57668	NTR25J-E03K0
R184	321-0093-00			RES,FXD,FILM:90.9 OHM,1%,0.125W,TC=TO	19701	5043ED90R90F
R185	321-0047-00			RES,FXD,FILM:30.1 OHM,1%,0.125W,TC=TO	91637	CMF55116G30R10F
R186	308-0526-00			RES,FXD,Ww:2.37K OHM,1%,3W	00213	1240S 2.37K-1
R187	311-0605-00			RES,VAR,NONNW:TRMR,200 OHM,0.5W	32997	3329H-G48-201
R188	321-0093-00			RES,FXD,FILM:90.9 OHM,1%,0.125W,TC=TO	19701	5043ED90R90F
R189	323-0193-00			RES,FXD,FILM:1K OHM,1%,0.5W,TC=TO	75042	CECTO-1001F
R190	321-0150-00			RES,FXD,FILM:357 OHM,1%,0.125W,TC=TO	07716	CEAD357R0F
R191	321-0062-00			RES,FXD,FILM:43.2 OHM,0.5%,0.125W,TC=TO (R191A)	57668	CRB14 FXE 43.2
R191	321-0049-00			RES,FXD,FILM:31.6 OHM,1%,0.125W,TC=TO (R191B)	91637	CMF55116G31R60F
R191	321-0793-03			RES,FXD,FILM:37.5 OHM,0.25%,0.125W,TC=T2 (R191C)	91637	CMF55116D37R50C
R191	321-0062-00			RES,FXD,FILM:43.2 OHM,0.5%,0.125W,TC=TO (R191D)	57668	CRB14 FXE 43.2
R191	325-0043-00			RES,FXD,FILM:22.5 OHM,0.35%,0.125W,TC=TO (R191E)	07716	CEAD22R50C
R193	321-0702-00			RES,FXD,FILM:30 OHM,0.25%,0.125W,TC=T2	57668	CRB14 CYE 30 OHM
R195	322-0193-00			RES,FXD,FILM:1K OHM,1%,0.25W,TC=TO	75042	CEBTO-1001F
R196	311-1261-00			RES,VAR,NONNW:TRMR,500 OHM,0.5W	32997	3329P-L58-501
R197	315-0271-00			RES,FXD,FILM:270 OHM,5%,0.25W	57668	NTR25J-E270E
R199	321-0120-00			RES,FXD,FILM:174 OHM,1%,0.125W,TC=TO	80009	321-0120-00
R203	315-0104-00			RES,FXD,FILM:100K OHM,5%,0.25W	57668	NTR25J-E100K
R204	323-0318-00			RES,FXD,FILM:20.0K OHM,1%,0.5W,TC=TO	91637	MFF1226D20001F
R205	315-0221-00			RES,FXD,FILM:220 OHM,5%,0.25W	57668	NTR25J-E220E
R209	323-0304-00			RES,FXD,FILM:14.3K OHM,1%,0.5W,TC=TO	19701	5053RD14K30F
R212	321-0276-00			RES,FXD,FILM:7.32K OHM,1%,0.125W,TC=TO	19701	5043ED7K320F
R213	315-0750-00			RES,FXD,FILM:75 OHM,5%,0.25W	57668	NTR25J-E75E0
R215	315-0101-00			RES,FXD,FILM:100 OHM,5%,0.25W	57668	NTR25J-E 100E
R217	315-0222-00			RES,FXD,FILM:2.2K OHM,5%,0.25W	57668	NTR25J-E02K2
R219	315-0181-00			RES,FXD,FILM:180 OHM,5%,0.25W	57668	NTR25J-E180E
R222	315-0111-00			RES,FXD,FILM:110 OHM,5%,0.25W	57668	NTR25J-E110E
R224	321-0212-00			RES,FXD,FILM:1.58K OHM,1%,0.125W,TC=TO	19701	5033ED1K58F
R226	321-0190-00			RES,FXD,FILM:931 OHM,1%,0.125W,TC=TO	19701	5043ED931R0F
R231	315-0681-00			RES,FXD,FILM:680 OHM,5%,0.25W	57668	NTR25J-E680E
R234	321-0195-00			RES,FXD,FILM:1.05K OHM,1%,0.125W,TC=TO	07716	CEAD10500F



Component No.	Tektronix Part No.	Serial/Assembly No. Effective Dscont	Name & Description	Mfr. Code	Mfr. Part No.
R240	321-0356-00		RES, FXD, FILM: 49.9K OHM, 1%, 0.125W, TC=T0	19701	5033ED49K90F
R241	321-0356-00		RES, FXD, FILM: 49.9K OHM, 1%, 0.125W, TC=T0	19701	5033ED49K90F
R242	315-0153-00		RES, FXD, FILM: 15K OHM, 5%, 0.25W	19701	5043CX15K00J
R243	321-0308-00		RES, FXD, FILM: 15.8K OHM, 1%, 0.125W, TC=T0	07716	CEAD 15801F
R247	308-0304-00		RES, FXD, WW: 1.5K OHM, 1%, 3W	44655	43F1K5
R252	321-0314-00		RES, FXD, FILM: 18.2K OHM, 1%, 0.125W, TC=T0	19701	5043ED18K20F
R254	321-0356-00		RES, FXD, FILM: 49.9K OHM, 1%, 0.125W, TC=T0	19701	5033ED49K90F
R255	321-0356-00		RES, FXD, FILM: 49.9K OHM, 1%, 0.125W, TC=T0	19701	5033ED49K90F
R256	315-0103-00		RES, FXD, FILM: 10K OHM, 5%, 0.25W	19701	5043CX10K00J
R257	315-0243-00		RES, FXD, FILM: 24K OHM, 5%, 0.25W	57668	NTR25J-E24K0
R258	315-0153-00		RES, FXD, FILM: 15K OHM, 5%, 0.25W	19701	5043CX15K00J
R259	308-0496-00		RES, FXD, WW: 1K OHM, 1%, 2.5W, TC=10PPM	00213	1240S-1000-1
R260	315-0562-00		RES, FXD, FILM: 5.6K OHM, 5%, 0.25W	57668	NTR25J-E05K6
R262	321-0099-00		RES, FXD, FILM: 105 OHM, 1%, 0.125W, TC=T0	07716	CEAD105R0F
R269	315-0200-00		RES, FXD, FILM: 20 OHM, 5%, 0.25W	19701	5043CX20R00J
R272	315-0203-00		RES, FXD, FILM: 20K OHM, 5%, 0.25W	57668	NTR25J-E 20K
R278	321-0077-00		RES, FXD, FILM: 61.9 OHM, 1%, 0.125W, TC=T0	91637	CMF55116G61R90F
R279	315-0221-00		RES, FXD, FILM: 220 OHM, 5%, 0.25W	57668	NTR25J-E220E
R280	317-0752-00		RES, FXD, CMPSN: 7.5K OHM, 5%, 0.125W	01121	BB7525
R281	315-0513-00		RES, FXD, FILM: 51K OHM, 5%, 0.25W	57668	NTR25J-E51K0
R282	315-0103-00		RES, FXD, FILM: 10K OHM, 5%, 0.25W	19701	5043CX10K00J
R283	315-0302-00		RES, FXD, FILM: 3K OHM, 5%, 0.25W	57668	NTR25J-E03K0
R284	321-0093-00		RES, FXD, FILM: 90.9 OHM, 1%, 0.125W, TC=T0	19701	5043ED90R90F
R285	321-0047-00		RES, FXD, FILM: 30.1 OHM, 1%, 0.125W, TC=T0	91637	CMF55116G30R10F
R286	308-0526-00		RES, FXD, WW: 2.37K OHM, 1%, 3W	00213	1240S 2.37K-1
R287	311-0110-00		RES, VAR, NONWW: PNL, 100K OHM, 0.5W	80009	311-0110-00
R288	311-1222-00		RES, VAR, NONWW: TRMR, 100 OHM, 0.5W	32997	3386F-T04-101
R289	323-0193-00		RES, FXD, FILM: 1K OHM, 1%, 0.5W, TC=T0	75042	CECTO-1001F
R290	321-0150-00		RES, FXD, FILM: 357 OHM, 1%, 0.125W, TC=T0	07716	CEAD357R0F
R291	321-0062-00		RES, FXD, FILM: 43.2 OHM, 0.5%, 0.125W, TC=T0	57668	CRB14 FXE 43.2
R291	321-0049-00		RES, FXD, FILM: 31.6 OHM, 1%, 0.125W, TC=T0	91637	CMF55116G31R60F
R291	321-0793-03		RES, FXD, FILM: 37.5 OHM, 0.25%, 0.125W, TC=T2	91637	CMF55116D37R50C
R291	321-0062-00		RES, FXD, FILM: 43.2 OHM, 0.5%, 0.125W, TC=T0	57668	CRB14 FXE 43.2
R291	325-0043-00		RES, FXD, FILM: 22.5 OHM, 0.35%, 0.125W, TC=T0	07716	CEAD22R50C
R295	322-0193-00		RES, FXD, FILM: 1K OHM, 1%, 0.25W, TC=T0	75042	CEBT0-1001F
R296	315-0101-00		RES, FXD, FILM: 100 OHM, 5%, 0.25W	57668	NTR25J-E 100E
R297	315-0271-00		RES, FXD, FILM: 270 OHM, 5%, 0.25W	57668	NTR25J-E270E
R299	321-0120-00		RES, FXD, FILM: 174 OHM, 1%, 0.125W, TC=T0	80009	321-0120-00
R300	315-0111-00		RES, FXD, FILM: 110 OHM, 5%, 0.25W	57668	NTR25J-E110E
R301	321-0041-00		RES, FXD, FILM: 26.1 OHM, 1%, 0.125W, TC=T0	91637	CMF55116G26R10F
R302	321-0182-00		RES, FXD, FILM: 768 OHM, 1%, 0.125W, TC=T0	07716	CEAD768R0F
R303	307-0124-00		RES, THERMAL: 5K OHM, 10%, NTC	15454	1DC502K-220-EC
R304	315-0241-00		RES, FXD, FILM: 240 OHM, 5%, 0.25W	19701	5043CX240R0J
R305	322-0215-00		RES, FXD, FILM: 1.69K OHM, 1%, 0.25W, TC=T0	19701	5043RD1K690F
R306	315-0124-00		RES, FXD, FILM: 120K OHM, 5%, 0.25W	19701	5043CX120K0J
R307	311-1260-00		RES, VAR, NONWW: TRMR, 250 OHM, 0.5W	32997	3329P-L58-251
R308	315-0683-00		RES, FXD, FILM: 68K OHM, 5%, 0.25W	57668	NTR25J-E68K0
R309	311-0350-00		RES, VAR, NONWW: PNL, 500K OHM, 0.5W	01121	W-7700
R311	315-0620-00		RES, FXD, FILM: 62 OHM, 5%, 0.25W	19701	5043CX63R00J
R312	321-0072-00		RES, FXD, FILM: 54.9 OHM, 1%, 0.125W, TC=T0	91637	CMF55116G54R90F
R314	321-0065-00		RES, FXD, FILM: 46.4 OHM, 1%, 0.125W, TC=T0	57668	RB14FXE 46E4
R315	321-0794-03		RES, FXD, FILM: 67.5 OHM, 0.25%, 0.125W, TC=T2	91637	CMF55116D67R50C
R317	325-0042-00		RES, FXD, FILM: 15 OHM, 0.25%, 0.125W, TC=T0	07716	CEAD15R00C
R320	322-0205-00		RES, FXD, FILM: 1.33K OHM, 1%, 0.25W, TC=T0	24546	NA60D1331F

# Scan by Zenith

Replaceable Electrical Parts - 7A13  
(SN B200000 - up)

Component No.	Tektronix Part No.	Serial/Assembly No. Effective Dscnt	Name & Description	Mfr. Code	Mfr. Part No.
R322	315-0561-00		RES,FXD,FILM:560 OHM,5%,0.25W	19701	5043CX560R0J
R323	315-0332-00		RES,FXD,FILM:3.3K OHM,5%,0.25W	57668	NTR25J-E03K3
R326	317-0471-00		RES,FXD,CMPNS:470 OHM,5%,0.125W	01121	BB4715
R327	321-0097-00		RES,FXD,FILM:100 OHM,1%,0.125W,TC=TO	91637	CMF551166100ROF
R328	321-0120-00		RES,FXD,FILM:174 OHM,1%,0.125W,TC=TO	80009	321-0120-00
R329	311-0828-00		RES,VAR,NONW:PNL,5K OHM,0.25W	01121	WAIN048S502AA
R331	321-0181-00		RES,FXD,FILM:750 OHM,1%,0.125W,TC=TO	07716	CEAD750ROF
R332	321-0055-00		RES,FXD,FILM:36.5 OHM,0.5%,0.125W,TC=TO MI	57668	RB14FXE 36E5
R333	311-0605-00		RES,VAR,NONW:TRMR,200 OHM,0.5W	32997	3329H-G48-201
R334	315-0512-00		RES,FXD,FILM:5.1K OHM,5%,0.25W	57668	NTR25J-E05K1
R335	311-0607-00		RES,VAR,NONW:TRMR,10K OHM,0.5W	73138	82-25-2
R336	311-0635-00		RES,VAR,NONW:TRMR,1K OHM,0.5W	32997	3329H-L58-102
R337	315-0391-00		RES,FXD,FILM:390 OHM,5%,0.25W	57668	NTR25J-E390E
R340	321-0088-00		RES,FXD,FILM:80.6 OHM,1%,0.125W,TC=TO	91637	CMF55116680R60F
R344	315-0101-00		RES,FXD,FILM:100 OHM,5%,0.25W	57668	NTR25J-E 100E
R350	321-0039-00		RES,FXD,FILM:24.9 OHM,1%,0.125W,TC=TO	91637	CMF55116624R90F
R351	321-0168-00		RES,FXD,FILM:549 OHM,1%,0.125W,TC=TO	07716	CEAD549ROF
R354	315-0181-00		RES,FXD,FILM:180 OHM,5%,0.25W	57668	NTR25J-E180E
R357	315-0132-00		RES,FXD,FILM:1.3K OHM,5%,0.25W	57668	NTR25J-E01K3
R360	311-0643-00		RES,VAR,NONW:TRMR,50 OHM,0.5W	32997	3329H-L58-500
R362	321-0147-00		RES,FXD,FILM:332 OHM,1%,0.125W,TC=TO	07716	CEAD332ROF
R368	315-0272-00		RES,FXD,FILM:2.7K OHM,5%,0.25W	57668	NTR25J-E02K7
R370	315-0150-00		RES,FXD,FILM:15 OHM,5%,0.25W	19701	5043CX15R00J
R371	311-0605-00		RES,VAR,NONW:TRMR,200 OHM,0.5W	32997	3329H-G48-201
R372	321-0024-00		RES,FXD,FILM:17.4 OHM,1%,0.125W,TC=TO	57668	RB14FXE 17E4
R373	321-0153-00		RES,FXD,FILM:383 OHM,1%,0.125W,TC=TO	07716	CEAD383ROF
R374	315-0301-00		RES,FXD,FILM:300 OHM,5%,0.25W	57668	NTR25J-E300E
R375	315-0181-00		RES,FXD,FILM:180 OHM,5%,0.25W	57668	NTR25J-E180E
R376	315-0153-00		RES,FXD,FILM:15K OHM,5%,0.25W	19701	5043CX15K00J
R377	315-0132-00		RES,FXD,FILM:1.3K OHM,5%,0.25W	57668	NTR25J-E01K3
R378	315-0272-00		RES,FXD,FILM:2.7K OHM,5%,0.25W	57668	NTR25J-E02K7
R380	311-0643-00		RES,VAR,NONW:TRMR,50 OHM,0.5W	32997	3329H-L58-500
R382	321-0147-00		RES,FXD,FILM:332 OHM,1%,0.125W,TC=TO	07716	CEAD332ROF
R383	321-0105-00		RES,FXD,FILM:121 OHM,1%,0.125W,TC=TO	07716	CEAD121ROF
R401	321-0041-00		RES,FXD,FILM:26.1 OHM,1%,0.125W,TC=TO	91637	CMF55116626R10F
R402	321-0182-00		RES,FXD,FILM:768 OHM,1%,0.125W,TC=TO	07716	CEAD768ROF
R404	315-0241-00		RES,FXD,FILM:240 OHM,5%,0.25W	19701	5043CX240R0J
R407	322-0212-00		RES,FXD,FILM:1.5,K OHM,1%,0.25W,TC=TO	75042	CEBT0-1581F
R408	315-0683-00		RES,FXD,FILM:68K OHM,5%,0.25W	57668	NTR25J-E68K0
R411	315-0620-00		RES,FXD,FILM:62 OHM,5%,0.25W	19701	5043CX63R00J
R412	321-0072-00		RES,FXD,FILM:54.9 OHM,1%,0.125W,TC=TO	91637	CMF55116654R90F
R414	321-0065-00		RES,FXD,FILM:46.4 OHM,1%,0.125W,TC=TO	57668	RB14FXE 46E4
R415	321-0794-03		RES,FXD,FILM:67.5 OHM,0.25%,0.125W,TC=T2	91637	CMF55116D67R50C
R420	322-0205-00		RES,FXD,FILM:1.33K OHM,1%,0.25W,TC=TO	24546	NA60D1331F
R426	315-0471-00		RES,FXD,FILM:470 OHM,5%,0.25W	57668	NTR25J-E470E
R427	321-0097-00		RES,FXD,FILM:100 OHM,1%,0.125W,TC=TO	91637	CMF551166100ROF
R428	321-0120-00		RES,FXD,FILM:174 OHM,1%,0.125W,TC=TO	80009	321-0120-00
R431	321-0181-00		RES,FXD,FILM:750 OHM,1%,0.125W,TC=TO	07716	CEAD750ROF
R432	311-0609-00		RES,VAR,NONW:TRMR,2K OHM,0.5W	32997	3329H-L58-202
R434	315-0302-00		RES,FXD,FILM:3K OHM,5%,0.25W	57668	NTR25J-E03K0
R435	311-0880-01		RES,VAR,NONW:PNL,5K OHM,0.5W,W/SW	12697	CM40352
R437	315-0391-00		RES,FXD,FILM:390 OHM,5%,0.25W	57668	NTR25J-E390E
R439	315-0121-00		RES,FXD,FILM:120 OHM,5%,0.25W	19701	5043CX120R0J
R440	321-0088-00		RES,FXD,FILM:80.6 OHM,1%,0.125W,TC=TO	91637	CMF55116680R60F
R451	321-0168-00		RES,FXD,FILM:549 OHM,1%,0.125W,TC=TO	07716	CEAD549ROF
R454	315-0181-00		RES,FXD,FILM:180 OHM,5%,0.25W	57668	NTR25J-E180E
R456	315-0150-00		RES,FXD,FILM:15 OHM,5%,0.25W	19701	5043CX15R00J
R462	321-0147-00		RES,FXD,FILM:332 OHM,1%,0.125W,TC=TO	07716	CEAD332ROF

Component No.	Tektronix Part No.	Serial/Assembly No. Effective	Discnt	Name & Description	Mfr. Code	Mfr. Part No.
R463	321-0105-00			RES, FXD, FILM:121 OHM 1%, 0.125W, TC=TO	07716	CEAD121R0F
R470	315-0150-00			RES, FXD, FILM:15 OHM, 5%, 0.25W	19701	5043CX15R00J
R472	315-0560-00			RES, FXD, FILM:56 OHM, 5%, 0.25W	57668	NTR25J-E56E0
R473	321-0153-00			RES, FXD, FILM:383 OHM, 1%, 0.125W, TC=TO	07716	CEAD383R0F
R475	315-0181-00			RES, FXD, FILM:180 OHM, 5%, 0.25W	57668	NTR25J-E180E
R477	307-0106-00			RES, FXD, CMPSN:4.7 OHM, 5%, 0.25W	01121	CB 47G5
R482	321-0147-00			RES, FXD, FILM:332 OHM, 1%, 0.125W, TC=TO	07716	CEAD332R0F
R501	321-0327-00			RES, FXD, FILM:24.9K OHM, 1%, 0.125W, TC=TO	07716	CEAD24901F
R502	321-0327-00			RES, FXD, FILM:24.9K OHM, 1%, 0.125W, TC=TO	07716	CEAD24901F
R503	315-0822-00			RES, FXD, FILM:8.2K OHM, 5%, 0.25W	19701	5043CX8K200J
R505	303-0301-00			RES, FXD, CMPSN:300 OHM, 5%, 1W	01121	GB3015
R521	321-0212-00			RES, FXD, FILM:1.58K OHM, 1%, 0.125W, TC=TO	19701	5033ED1K58F
R522	321-0226-00			RES, FXD, FILM:2.21K OHM, 1%, 0.125W, TC=TO	01121	RNK2211F
R523	315-0241-00			RES, FXD, FILM:240 OHM, 5%, 0.25W	19701	5043CX240R0J
R525	315-0681-00			RES, FXD, FILM:680 OHM, 5%, 0.25W	57668	NTR25J-E680E
R528	321-0143-00			RES, FXD, FILM:301 OHM, 1%, 0.125W, TC=TO	07716	CEAD301R0F
R531	321-0226-00			RES, FXD, FILM:2.21K OHM, 1%, 0.125W, TC=TO	01121	RNK2211F
R532	321-0212-00			RES, FXD, FILM:1.58K OHM, 1%, 0.125W, TC=TO	19701	5033ED1K58F
R533	315-0241-00			RES, FXD, FILM:240 OHM, 5%, 0.25W	19701	5043CX240R0J
R535	301-0241-00			RES, FXD, FILM:240 OHM, 5%, 0.5W	01121	EB2415
R563	308-0433-00			RES, FXD, WW:1 OHM, 10%, 0.25W	80009	308-0433-00
R565	315-0510-00			RES, FXD, FILM:51 OHM, 5%, 0.25W	19701	5043CX51R00J
R602	321-0066-00			RES, FXD, FILM:47.5 OHM, 0.5%, 0.125W, TC=TO	91637	CMF55116G47R50F
R603	321-0193-00			RES, FXD, FILM:1K OHM, 1%, 0.125W, TC=TO	19701	5033ED1K00F
R605	315-0122-00			RES, FXD, FILM:1.2K OHM, 5%, 0.25W	57668	NTR25J-E01K2
R607	315-0472-00			RES, FXD, FILM:4.7K OHM, 5%, 0.25W	57668	NTR25J-E04K7
R609	308-0141-00			RES, FXD, WW:1 OHM, 5%, 0.5W	80009	308-0141-00
R610	301-0120-00			RES, FXD, FILM:12 OHM, 5%, 0.5W	19701	5053CX12R00J
R617	315-0200-00			RES, FXD, FILM:20 OHM, 5%, 0.25W	19701	5043CX20R00J
R620	315-0183-00			RES, FXD, FILM:18K OHM, 5%, 0.25W	19701	5043CX18K00J
R621	315-0363-00			RES, FXD, FILM:36K OHM, 5%, 0.25W	57668	NTR25J-E36K0
R622	321-0644-00	B250000		RES, FXD, FILM:100K OHM, 0.25%, 0.125W, TC=T9	19701	5043ED100K0C
R623	321-0230-00			RES, FXD, FILM:2.43K OHM, 1%, 0.125W, TC=TO	19701	5043ED2K430F
R624	315-0913-00			RES, FXD, FILM:91K OHM, 5%, 0.25W	19701	5043CX91K00J
R625	315-0473-00	B250000		RES, FXD, FILM:47K OHM, 5%, 0.25W	57668	NTR25J-E47K0
R626	315-0163-00			RES, FXD, FILM:16K OHM, 5%, 0.25W	57668	NTR25J-E 16K
R627	315-0473-00	B250000		RES, FXD, FILM:47K OHM, 5%, 0.25W	57668	NTR25J-E47K0
R628	315-0163-00			RES, FXD, FILM:16K OHM, 5%, 0.25W	57668	NTR25J-E 16K
R629	321-1683-07	B250000		RES, FXD, FILM:44.44K OHM, 0.1%, 0.125W, TC=T9	19701	5033RD44. K44B
R630	315-0223-00	B010100	B249999	RES, FXD, FILM:22K OHM, 5%, 0.25W	19701	5043CX22K00J92U
R630	321-0245-00	B250000		RES, FXD, FILM:3.48K OHM, 1%, 0.125W, TC=TO	19701	5033ED3K48F
R631	315-0393-00	B010100	B249999	RES, FXD, FILM:39K OHM, 5%, 0.25W	57668	NTR25J-E39K0
R632	315-0200-00	B010100	B249999	RES, FXD, FILM:20 OHM, 5%, 0.25W	19701	5043CX20R00J
R633	315-0752-00	B250000		RES, FXD, FILM:7.5K OHM, 5%, 0.25W	57668	NTR25J-E07K5
R634	311-1896-00	B250000		RES, VAR, NONWW:TRMR, 5K OHM, 10%, 0.5W, LINEAR	32997	3299W-1-502
R635	321-0182-00	B250000		RES, FXD, FILM:768 OHM, 1%, 0.125W, TC=TO	07716	CEAD768R0F
R636	315-0103-00			RES, FXD, FILM:10K OHM, 5%, 0.25W	19701	5043CX10K00J
R637	315-0472-00	B250000		RES, FXD, FILM:4.7K OHM, 5%, 0.25W	57668	NTR25J-E04K7
R638	321-0376-09	B250000		RES, FXD, FILM:80.6K OHM, 1%, 0.125W, TC=T9	91637	MFF1816C80601F
R639	315-0103-00			RES, FXD, FILM:10K OHM, 5%, 0.25W	19701	5043CX10K00J
R640	321-0318-07	B250000		RES, FXD, FILM:20.0K OHM, 0.1%, 0.125W, TC=T9	19701	5033RE20K00BCM
R641	315-0102-00			RES, FXD, FILM:1K OHM, 5%, 0.25W	57668	NTR25JE01K0
R642	321-0927-07	B250000		RES, FXD, FILM:125 OHM, 0.1%, 0.125W, TC=T9	19701	5033RE125R0B
R643	315-0103-00			RES, FXD, FILM:10K OHM, 5%, 0.25W	19701	5043CX10K00J
R644	311-0613-00	B250000		RES, VAR, NONWW:TRMR, 100K OHM, 0.5W	32997	3329H-G48-104
R645	315-0102-00			RES, FXD, FILM:1K OHM, 5%, 0.25W	57668	NTR25JE01K0
R646	315-0104-00	B250000		RES, FXD, FILM:100K OHM, 5%, 0.25W	57668	NTR25J-E100K
R647	315-0103-00			RES, FXD, FILM:10K OHM, 5%, 0.25W	19701	5043CX10K00J

# Scan by Zenith

Replaceable Electrical Parts - 7A13  
(SN B200000 - up)

Component No.	Tektronix		Serial/Assembly No.		Name & Description	Mfr. Code	Mfr. Part No.
	Part No.	Effective	Discont				
R649	315-0102-00				RES, FXD, FILM: 1K OHM, 5%, 0.25W	57668	NTR25JE01K0
R651	315-0103-00				RES, FXD, FILM: 10K OHM, 5%, 0.25W	19701	5043CX10K00J
R653	315-0103-00				RES, FXD, FILM: 10K OHM, 5%, 0.25W	19701	5043CX10K00J
R655	315-0103-00				RES, FXD, FILM: 10K OHM, 5%, 0.25W	19701	5043CX10K00J
R657	315-0103-00				RES, FXD, FILM: 10K OHM, 5%, 0.25W	19701	5043CX10K00J
R659	315-0182-00				RES, FXD, FILM: 1.8K OHM, 5%, 0.25W	57668	NTR25J-E1K8
R661	315-0161-00				RES, FXD, FILM: 160 OHM, 5%, 0.25W	57668	NTR25J-E 160E
R670	315-0273-00	B010100	B249999		RES, FXD, FILM: 27K OHM, 5%, 0.25W	57668	NTR25J-E27K0
R671	315-0273-00	B010100	B249999		RES, FXD, FILM: 27K OHM, 5%, 0.25W	57668	NTR25J-E27K0
R673	315-0132-00	B010100	B249999		RES, FXD, FILM: 1.3K OHM, 5%, 0.25W	57668	NTR25J-E01K3
R674	315-0272-00	B010100	B249999		RES, FXD, FILM: 2.7K OHM, 5%, 0.25W	57668	NTR25J-E02K7
R675	315-0333-00	B010100	B249999		RES, FXD, FILM: 33K OHM, 5%, 0.25W	57668	NTR25J-E33K0
R678	321-0160-00	B010100	B249999		RES, FXD, FILM: 453 OHM, 1%, 0.125W, MI	19701	5033ED453ROF
R679	321-0332-07	B010100	B249999		RES, FXD, FILM: 28.0K OHM, 0.1%, 0.125W, TC=T9	19701	5033RE28K00B
R681	321-0332-07	B010100	B249999		RES, FXD, FILM: 28.0K OHM, 0.1%, 0.125W, TC=T9	19701	5033RE28K00B
R683	321-0184-00				RES, FXD, FILM: 806 OHM, 1%, 0.125W, TC=TO	19701	5033ED806ROF
R685	321-0206-00				RES, FXD, FILM: 1.37K OHM, 1%, 0.125W, TC=TO	07716	CEAD13700F
R686	311-1340-00	B010100	B249999		RES, VAR, NONWW: TRMR, 1K OHM, 0.75W	02111	43P102T672
R686	311-0635-00	B250000			RES, VAR, NONWW: TRMR, 1K OHM, 0.5W	32997	3329H-L58-102
R687	321-0278-00				RES, FXD, FILM: 7.68K OHM, 1%, 0.125W, TC=TO	07716	CEAD76800F
R690	311-1057-00				RES, VAR, WW: PNL, 5K OHM, 2W (R690A)	73138	7286-201-0
R690	311-0887-00				RES, VAR, NONWW: PNL, 50K OHM, 10%, 0.5W (R690B)	71590	BA02520017
R692	315-0914-00				RES, FXD, FILM: 910K OHM, 5%, 0.25W	19701	5043CX910K00J
R693	321-0222-00				RES, FXD, FILM: 2.00K OHM, 1%, 0.125W, TC=TO	19701	5033ED2K00F
R696	311-1272-00				RES, VAR, NONWW: TRMR, 100K OHM, 0.5W	32997	3329P-L58-104
R698	315-0205-00				RES, FXD, FILM: 2M OHM, 5%, 0.25W	01121	CB2055
R699	321-0644-00	B010100	B249999		RES, FXD, FILM: 100K OHM, 0.25%, 0.125W, TC=T9	19701	5043ED100K0C
R701	315-0101-00	B010100	B249999		RES, FXD, FILM: 100 OHM, 5%, 0.25W	57668	NTR25J-E 100E
R702	315-0680-00	B250000			RES, FXD, FILM: 68 OHM, 5%, 0.25W	57668	NTR25J-E68E0
R703	321-0332-07	B010100	B249999		RES, FXD, FILM: 28.0K OHM, 0.1%, 0.125W, TC=T9	19701	5033RE28K00B
R704	315-0151-00	B250000			RES, FXD, FILM: 150 OHM, 5%, 0.25W	57668	NTR25J-E150E
R705	321-0331-09	B010100	B249999		RES, FXD, FILM: 27.4K OHM, 1%, 0.125W, TC=T9	19701	5033RE27K4F
R708	311-1272-00	B010100	B249999		RES, VAR, NONWW: TRMR, 100K OHM, 0.5W	32997	3329P-L58-104
R710	315-0104-00	B010100	B249999		RES, FXD, FILM: 100K OHM, 5%, 0.25W	57668	NTR25J-E100K
R711	315-0131-00	B010100	B249999		RES, FXD, FILM: 130 OHM, 5%, 0.25W	19701	5043CX130R0J
R712	315-0104-00	B010100	B249999		RES, FXD, FILM: 100K OHM, 5%, 0.25W	57668	NTR25J-E100K
R714	315-0152-00	B010100	B249999		RES, FXD, FILM: 1.5K OHM, 5%, 0.25W	57668	NTR25J-E01K5
R716	315-0202-00	B010100	B249999		RES, FXD, FILM: 2K OHM, 5%, 0.25W	57668	NTR25J-E 2K
R718	315-0512-00	B010100	B249999		RES, FXD, FILM: 5.1K OHM, 5%, 0.25W	57668	NTR25J-E05K1
R720	311-1272-00				RES, VAR, NONWW: TRMR, 100K OHM, 0.5W	32997	3329P-L58-104
R722	315-0104-00				RES, FXD, FILM: 100K OHM, 5%, 0.25W	57668	NTR25J-E100K
R723	315-0470-00				RES, FXD, FILM: 47 OHM, 5%, 0.25W	57668	NTR25J-E47E0
R724	315-0153-00				RES, FXD, FILM: 15K OHM, 5%, 0.25W	19701	5043CX15K00J
R726	321-0332-07				RES, FXD, FILM: 28.0K OHM, 0.1%, 0.125W, TC=T9	19701	5033RE28K00B
R727	311-1259-00				RES, VAR, NONWW: TRMR, 100 OHM, 0.5W	32997	3329P-L58-101
R729	321-0332-07				RES, FXD, FILM: 28.0K OHM, 0.1%, 0.125W, TC=T9	19701	5033RE28K00B
R741	315-0102-00				RES, FXD, FILM: 1K OHM, 5%, 0.25W	57668	NTR25JE01K0
R742	315-0102-00				RES, FXD, FILM: 1K OHM, 5%, 0.25W	57668	NTR25JE01K0
R744	315-0102-00	B200000	B236984		RES, FXD, FILM: 1K OHM, 5%, 0.25W	57668	NTR25JE01K0
R744	321-0197-00	B236985			RES, FXD, FILM: 1.10K OHM, 1%, 0.125W, TC=TO	07716	CEAD11000F
R753	315-0103-00				RES, FXD, FILM: 10K OHM, 5%, 0.25W	19701	5043CX10K00J
R754	315-0390-00	B244487			RES, FXD, FILM: 39 OHM, 5%, 0.25W	57668	NTR25J-E39E0
S1	-----				(PART OF A3)		
S10	-----				(PART OF A3)		
S21	-----				(PART OF A3)		
S35	-----				(PART OF R177)		
S40	-----				(PART OF R435)		

# Scan by Zenith

Replaceable Electrical Parts - 7A13  
(SN B200000 - up)

Component No.	Tektronix Part No.	Serial/Assembly No.		Name & Description	Mfr. Code	Mfr. Part No.
		Effective	Dscont			
S50	260-1033-00			SWITCH, ROTARY: VOLTA/CM	76854	5-36251-411
S80	260-0816-00	B200000	B242996	SWITCH, SLIDE: DPDT, 0.5A, 125V	79727	GF-126-0012A
S80	260-1833-00	B242997		SWITCH, SLIDE: DPDT, 0.05A, 125V	82389	11P-1092
S490	-----			(PART OF A2)		
S570	-----			(PART OF A1)		
T185	120-0482-00			XFMR, TOROID:	80009	120-0482-00
T350	120-0482-00			XFMR, TOROID:	80009	120-0482-00
U632	156-0388-03	B010100	B249999	MICROCKT, DGTL: DUAL D FLIP-FLOP, SCRN	80009	156-0388-03
U635	156-0306-00	B010100	B249999	MICROCKT, DGTL: MOS, 4.5 DECADE COUNTER	07263	3814DC
U636	156-1305-00	B250000		MICROCKT, LINEAR: TTL, 4.5 DIGIT A/D CONVERTER	17856	SLD2105
U637	156-2205-00	B250000		MICROCKT, LINEAR: 4.5 DIGIT ANALOG PROCESSOR, SCRN	80009	156-2205-00
U638	156-1582-00	B250000		MICROCKT, LINEAR: OPERATIONAL AMPL, BIPOLAR	80009	156-1582-00
U665	150-1012-01	B200000	B225504	LAMP, LED RDOUT: RED, 7 SEG, 4.0 DIGIT W/FR & FLTR	80009	150-1012-01
U665	150-1012-03	B225505	B243731	LAMP, LED RDOUT: RED, 7 SEG, 4.0 DIGIT W/FR & FLTR	80009	150-1012-03
U665	150-1012-07	B243732		LAMP, LED RDOUT: RED, 7 SEG, 4.0 DIGIT	80009	150-1012-07
U668	156-0493-02			MICROCKT, DGTL: BCD TO 7-SEG DCDR/DRVR	07263	9368PCQR
U678	156-0495-00	B010100	B249999	MICROCKT, LINEAR: OPNL AMPL	01295	LM324N
U684	156-0854-00	B250000		MICROCKT, LINEAR: OPNL AMPL	27014	LM308AN
U728	156-0854-00	B250000		MICROCKT, LINEAR: OPNL AMPL	27014	LM308AN
VR103	152-0394-00			SEMICON DVC, DI: ZEN, SI, 47V, 5%, 1W	80009	152-0394-00
VR155	152-0395-00			SEMICON DVC, DI: ZEN, SI, 4.3V, 5%, 0.4W	04713	SZG35009K18
VR157	152-0395-00			SEMICON DVC, DI: ZEN, SI, 4.3V, 5%, 0.4W	04713	SZG35009K18
VR166	152-0395-00			SEMICON DVC, DI: ZEN, SI, 4.3V, 5%, 0.4W	04713	SZG35009K18
VR203	152-0394-00			SEMICON DVC, DI: ZEN, SI, 47V, 5%, 1W	80009	152-0394-00
VR634	152-0278-00	B010100	B249999	SEMICON DVC, DI: ZEN, SI, 3V, 5%, 0.4W, DO-7	80009	152-0278-00
VR635	152-0456-00	B250000		SEMICON DVC, DI: ZEN, SI, 6.2V, 5%, 0.4W, DO-7	04713	1N827
VR683	152-0411-00			SEMICON DVC, DI: ZEN, SI, 9V, 5%, 500MW, DO-7	55801	DT-1073
VR702	152-0520-00	B250000		SEMICON DVC, DI: ZEN, SI, 12V, 5%, 1W, DO-41	80009	152-0520-00
VR704	152-0520-00	B250000		SEMICON DVC, DI: ZEN, SI, 12V, 5%, 1W, DO-41	80009	152-0520-00

A

B

C

D

E

F

G

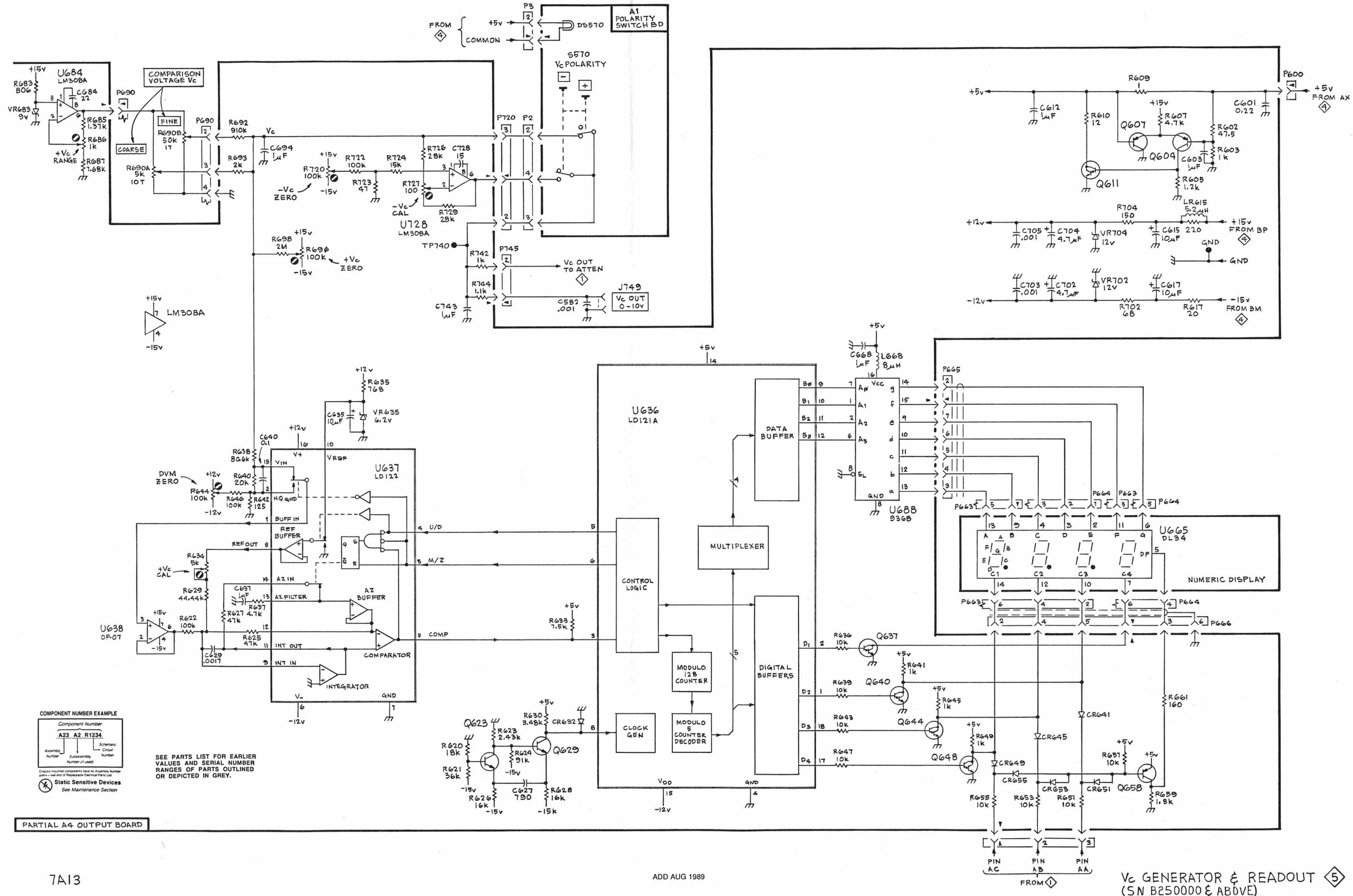
1

2

3

4

5



COMPONENT NUMBER EXAMPLE

Component Number	5
A23 A2 R1234	
Assembly Number	
Subassembly Number	
Number of Units	

SEE PARTS LIST FOR EARLIER VALUES AND SERIAL NUMBER RANGES OF PARTS OUTLINED OR DEPICTED IN GREY.

Static Sensitive Devices See Maintenance Section

PARTIAL A4 OUTPUT BOARD

7A13

ADD AUG 1989

Vc GENERATOR & READOUT (SN B250000 & ABOVE)

Vc GENERATOR & READOUT (SN B250000 & ABOVE)

7A13 (SN B250000 & ABOVE)

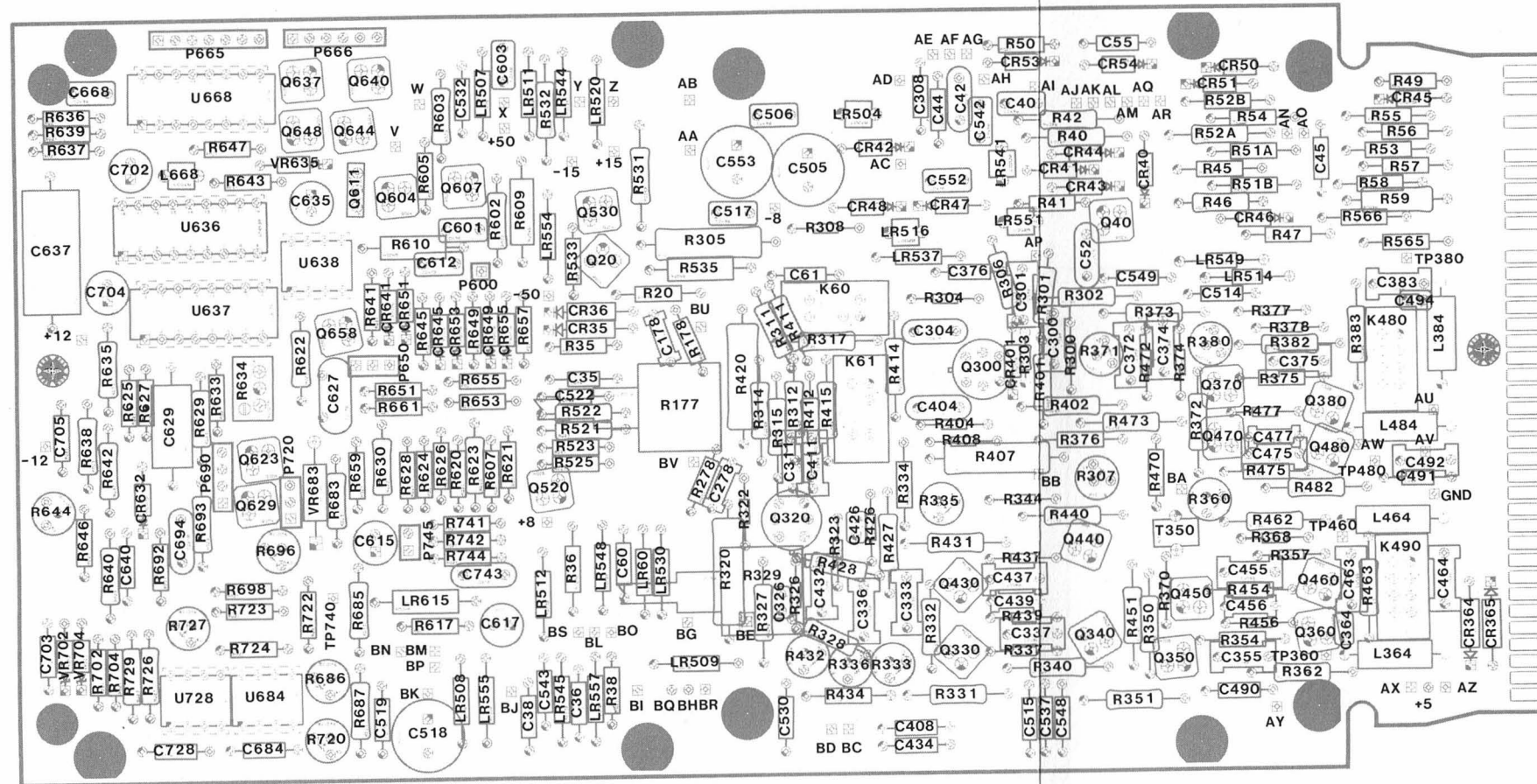


Fig. 7-4. Output Amplifier circuit board component locations (SN B250000 and up).

OUTPUT AMPLIFIER  
COMPONENT LOCATIONS  
(SN B250000 & ABOVE)