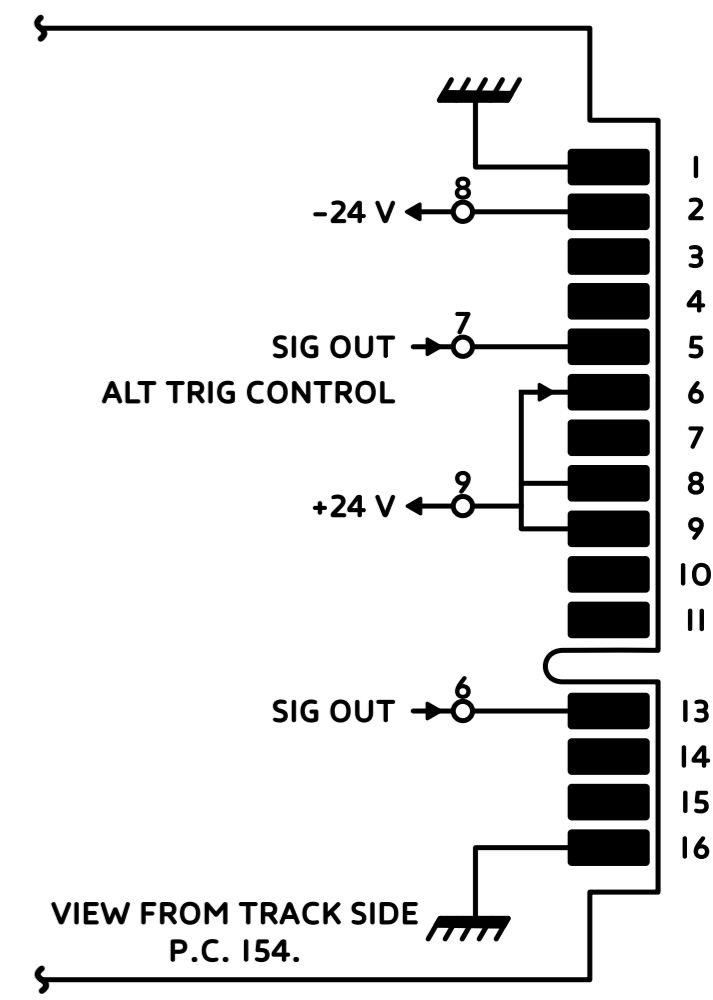
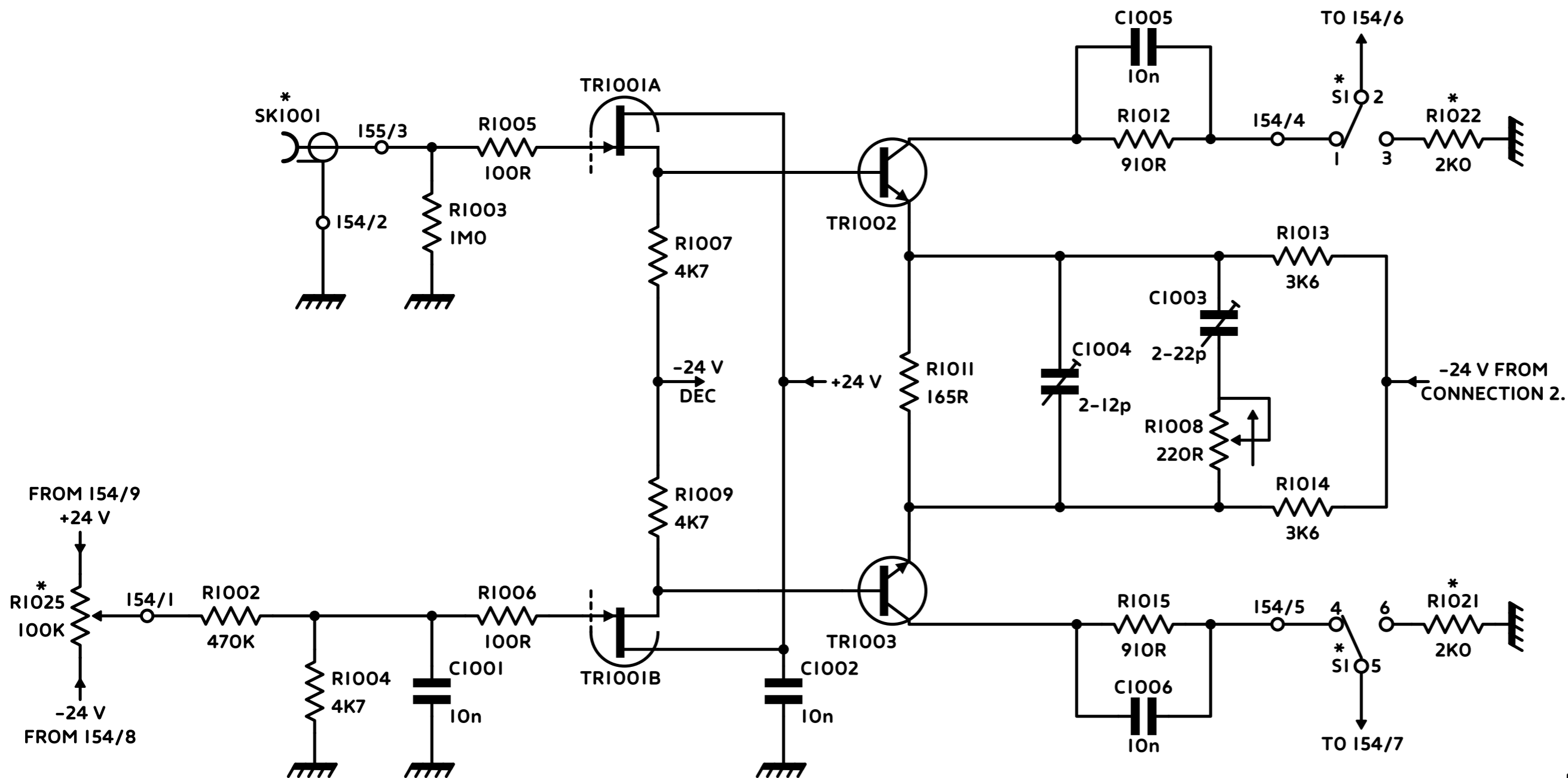
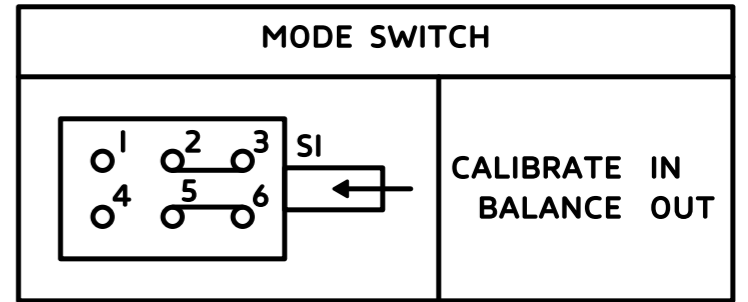


|                   |        |      |      |      |      |        |  |        |      |      |      |
|-------------------|--------|------|------|------|------|--------|--|--------|------|------|------|
| <b>RESISTORS</b>  |        |      |      |      | 1005 | 1007   |  |        | 1012 | 1013 | 1021 |
| 1025              | 1002   | 1004 | 1003 | 1006 | 1009 | 1011   |  |        | 1008 | 1014 | 1022 |
|                   |        |      |      |      |      |        |  |        | 1015 |      |      |
| <b>CAPACITORS</b> |        |      |      |      |      |        |  |        | 1003 |      |      |
|                   |        | 1001 |      |      |      | 1002   |  | 1004   | 1005 |      |      |
|                   |        |      |      |      |      |        |  |        | 1006 |      |      |
| <b>MISC.</b>      |        |      |      |      |      |        |  |        |      |      |      |
|                   | SK1001 |      |      |      |      | TR1001 |  | TR1002 |      |      | SI   |
|                   |        |      |      |      |      |        |  | TR1003 |      |      |      |



**NOTES**  
 1. \* DENOTES COMPONENTS NOT MOUNTED ON PC BOARD  
 2. 154/2 DENOTES PC BOARD/EYELET OR TERMINAL No

## TELEQUIPMENT 067-0672-00 VERTICAL CALIBRATION UNIT P.C. 154.



**DISCLAIMER**  
 THIS IS NOT AN OFFICIAL TELEQUIPMENT CIRCUIT DIAGRAM BUT RECONSTRUCTED FROM A 067-0672-00 UNIT.  
 THE DIAGRAM IS PROVIDED ON AN "AS IS" BASIS WITH NO GUARANTEES OF CORRECTNESS OR COMPLETENESS. USE IT AT YOUR OWN RISK.  
 © 2019 by DENIS FISSELER