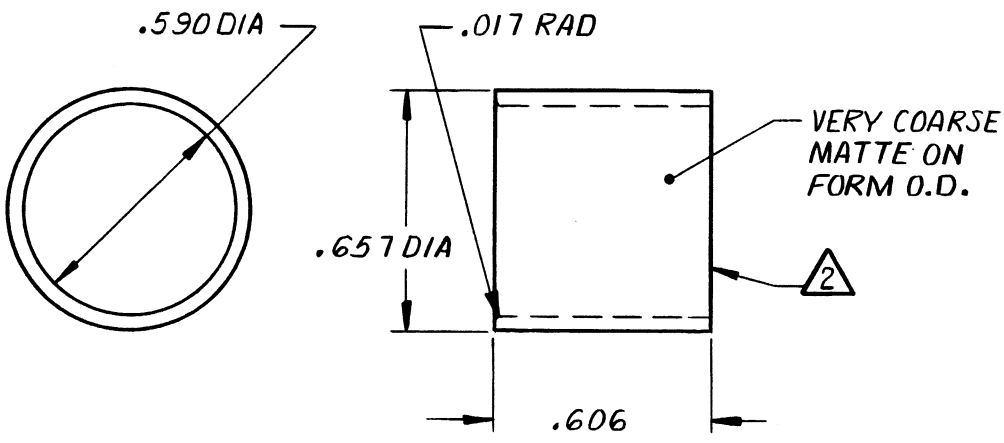


PART NUMBER 276-0206-00 B	THIS DRAWING WHEN DISTRIBUTED OUTSIDE TEKTRONIX, INC. IS SUPPLIED FOR IDENTIFICATION, ENGINEERING EVALUATION AND/OR INSPECTION PURPOSES ONLY AND MAY NOT BE USED AS A BASIS FOR MANUFACTURE OR SALES OF PRODUCTS WITHOUT WRITTEN PERMISSION FROM TEKTRONIX, INC.			
	IF THIS DRAWING IS FURNISHED UNDER ANY UNITED STATES GOVERNMENT CONTRACT, IT SHALL NOT BE EITHER RELEASED OUTSIDE THE GOVERNMENT, OR USED, DUPLICATED, OR DISCLOSED IN WHOLE OR IN PART FOR MANUFACTURE OR PROCUREMENT, WITHOUT THE WRITTEN PERMISSION OF TEKTRONIX, INC. EXCEPT FOR: (1) EMERGENCY REPAIR OR OVERHAUL WORK BY OR FOR THE GOVERNMENT, WHERE THE ITEM OR PROCESS CONCERNED IS NOT OTHERWISE REASONABLY AVAILABLE TO ENABLE TIMELY PERFORMANCE OF THE WORK; OR (2) RELEASE TO A FOREIGN GOVERNMENT AS THE INTERESTS OF THE UNITED STATES MAY REQUIRE; PROVIDED THAT IN EITHER CASE THE RELEASE, USE, DUPLICATION OR DISCLOSURE HEREOF SHALL BE SUBJECT TO THE FOREGOING LIMITATIONS. IF THIS DRAWING IS REPRODUCED IN WHOLE OR IN PART, THIS ENTIRE LEGEND BLOCK MUST APPEAR ON ALL REPRODUCED COPIES.			
REV	REF	DESCRIPTION OF CHANGE	CHK BY	DATE
(B)	25016	REVISED & REDRAWN, ADD PURCH.	LJW	21 APR 76



△ DO NOT GATE ON END OF TUBE

1. MANUFACTURING TOLERANCES
- MISMATCH _____ .003
 - GATE PROTRUSION _____ .005
 - PARTING LINE FLASH _____ .003
 - I.D. STANDUP FLASH _____ .010
 - I.D. CROSS FLASH _____ .002

NOTES:

PURCHASED

TEKTRONIX, INC.		P. O. BOX 500 BEAVERTON, OREGON U.S.A. 97005	
DRWN <i>J. NAGODE</i>	10 MAR 76	DIMENSIONS ARE IN INCHES	
ENGR <i>J. HAZARD</i>	20 APR 76	TOLERANCES: UNLESS OTHERWISE SPECIFIED	
CHKR		SCALE	FIRST USED ON
PROD		3:1	1420
MATERIAL 30% GLASS FILLED NYLON 6/12			
FINISH AS MOLDED UOS			
TITLE FORM, COIL (TUBE TYPE)			
CODE IDENT NO 80009	SIZE B	PART NUMBER 276-0206-00	REV B

DO NOT SCALE DRAWING