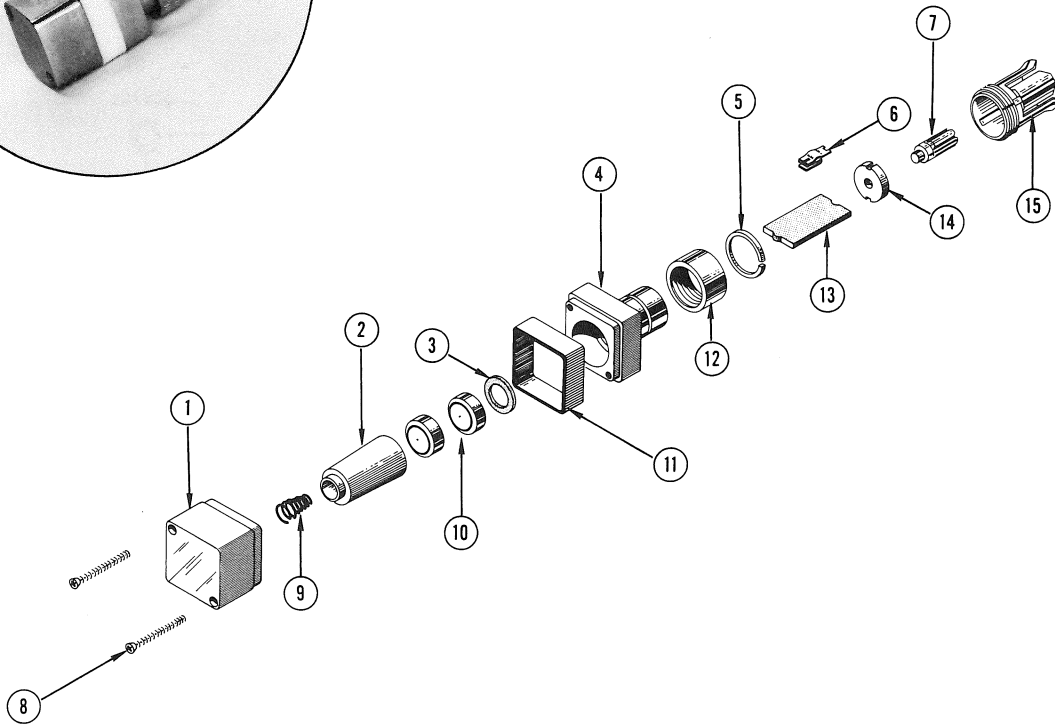
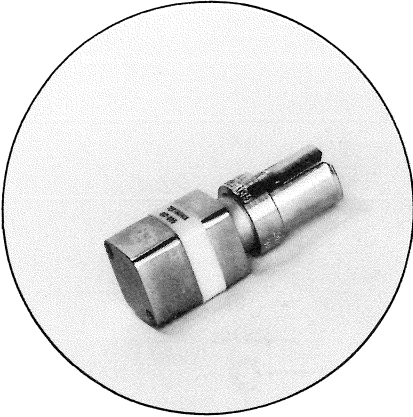


PULSE GENERATOR (Pocket)

(Part No. 017-0086-00)



—SEE REVERSE SIDE FOR ELECTRICAL SCHEMATIC—

REF. NO.	PART NO.	SERIAL/MODEL NO.		QTY.	DESCRIPTION
		EFF.	DISC.		
1	204-0154-00			1	BODY, rear
2	337-0557-00			1	SHIELD, battery, plastic
3	210-0814-00			1	WASHER, fiber, 3/8 ID x 5/8 inch OD
4	204-0155-00			1	BODY, front
5	132-0007-00			1	SNAP RING
6	344-0089-00			1	CLIP, tunnel diode
7	132-0109-00			1	CONNECTOR, inner
8	211-0091-00			2	SCREW, 2-56 x 7/8 inch, OHS
9	214-0296-00			1	SPRING, conical, compression
10	146-0006-00			2	BATTERY, 1.4 V
11	354-0188-00			1	RING, indicator, white
12	132-0001-00			1	NUT, coupling
13	388-0535-00			1	BOARD, circuit, 0.536 x 1 inch
14	388-0534-00			1	BOARD, circuit, 0.623 inch diameter
15	132-0002-00			1	SLEEVE, conductor, outer

DATA SHEET NO.

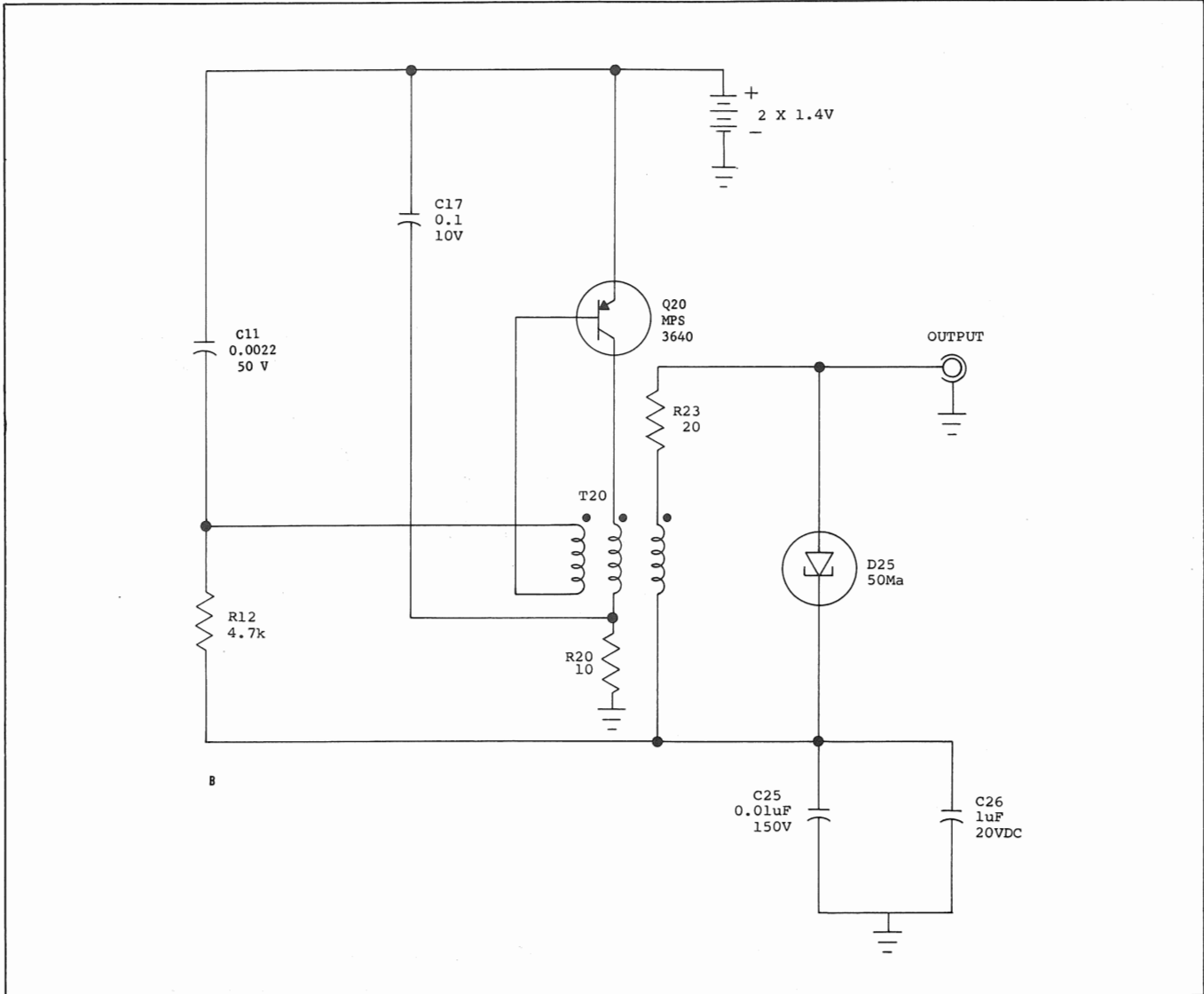
061-0954-00
JANUARY 1967
(Revised)



Copyright © 1966,
Tektronix, Inc.
All Rights Reserved.

017-0086-00

PULSE GENERATOR (Pocket) (Part No. 017-0086-00)



REF. NO.	PART NO.	SERIAL/MODEL NO.		QTY.	DESCRIPTION
		EFF.	DISC.		
	388-0627-00			-	POCKET PULSER CIRCUIT BOARD ASSEMBLY
	-----			-	assembly includes:
	283-0051-00		6641	1	C11, CAPACITOR, 0.0033 μ F, Cer, 100 V
	283-0028-00	6642		1	C11, CAPACITOR, 0.0022 μ F, Cer, 50 V
	283-0023-00			1	C17, CAPACITOR, 0.1 μ F, Cer, 10V
	283-0003-00			1	C25, CAPACITOR, 0.01 μ F, Cer, 150 V
	290-0183-00			1	C26, CAPACITOR, 0.1 μ F, EMT, 20 VDC
	152-0099-00			1	D25, DIODE, tunnel, 50 mA
	151-0061-00		6641	1	Q20, TRANSISTOR, T2040
	151-0199-00	6642		1	Q20, TRANSISTOR, MPS 3640
	316-0102-00		6642	1	R11, RESISTOR, 1 k Ω , 1/4 W, 10%
	317-0472-00			1	R12, RESISTOR, 4.7 k Ω , 1/10 W, 5%
	317-0100-00			1	R20, RESISTOR, 10 Ω , 1/10 W, 5%
	317-0200-00			1	R23, RESISTOR, 20 Ω , 1/10 W, 5%
	120-0298-00			1	T20, TRANS torroid, 3 windings