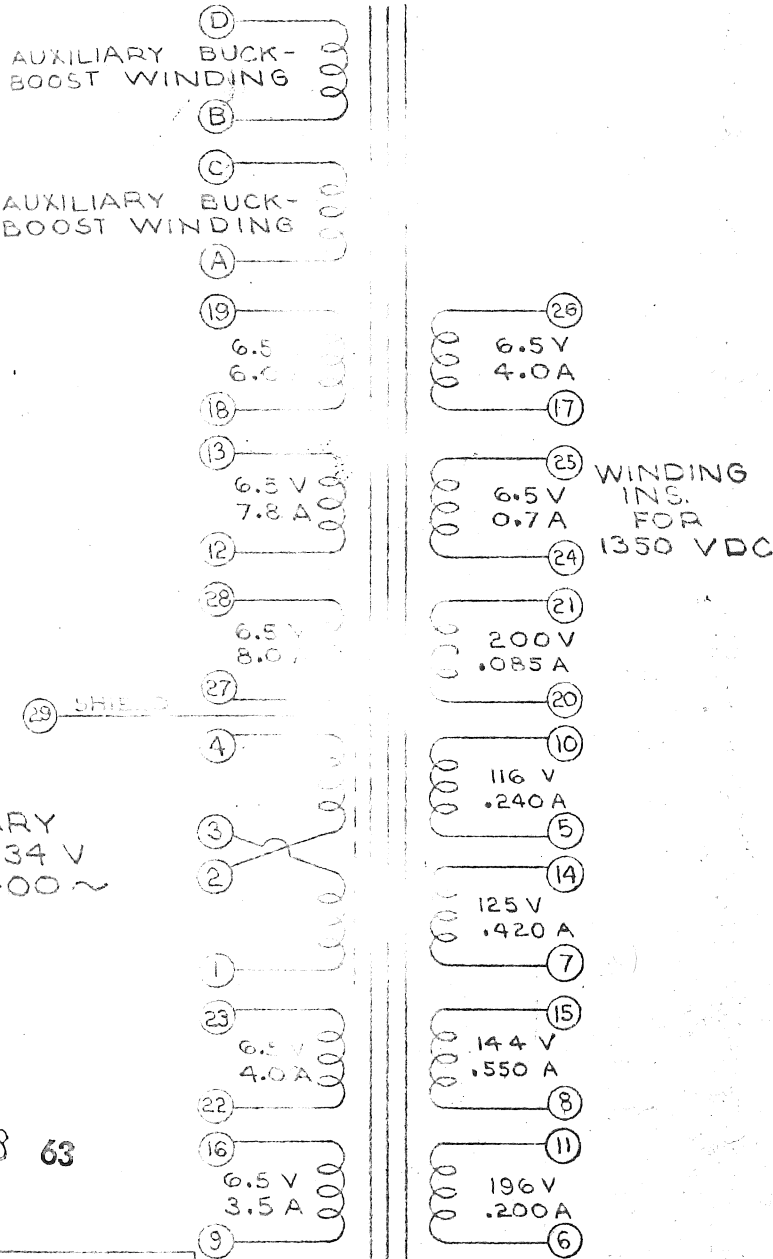


THESE VOLTAGE & CURRENT RATINGS ARE NOMINAL & VARY WITH LOAD & LINE VOLTAGE. ALL WINDINGS ARE INSULATED FOR 600 VDC (UNLESS OTHERWISE NOTED)



APR 18 63

POWER SERVICE MOD. 2797

TEKTRONIX, INC.
PORTLAND, OREGON, U.S.A.

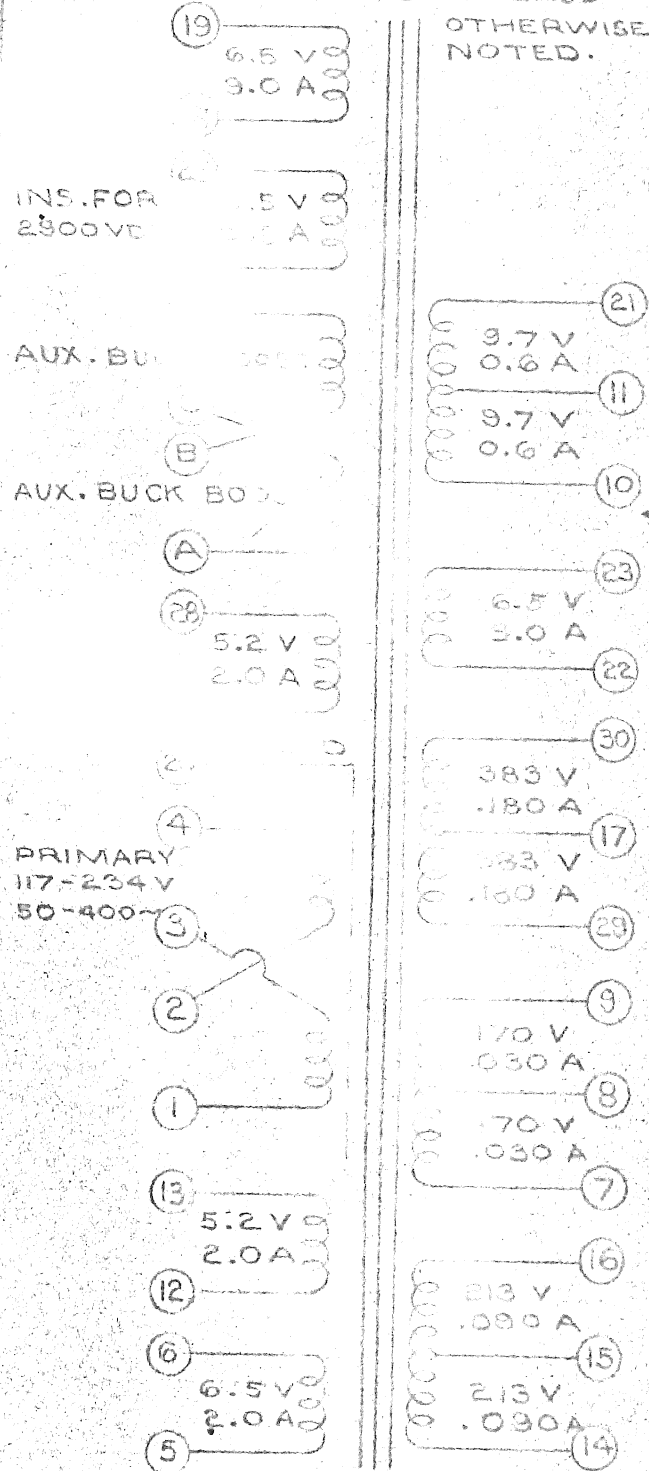
TITLE: TRANSFORMER, POWER

MATERIAL: AS LISTED

BLANK SIZE:

A NOTED		TYPE: 535 X P	
MODIFICATION NOTICE		SCALE:	ENGR: <i>FS</i>
<i>Ch 14</i>	MOD. NO.	DATE: 4/19/61	DR. BY: <i>P</i>
<i>1/2</i>	DATE	PART NO.	DRG. NO.
<i>1/2</i>	BY	120-086	B-1849

VOLTAGE & CURRENT RATINGS ARE NOMINAL & VARY WITH LOAD & LINE VOLTAGE. ALL WINDINGS INS. FOR 600 VDC - UNLESS OTHERWISE NOTED.



DO NOT SCALE DRAWING

TEKTRONIX, INC.
PORTLAND, OREGON, U.S.A.

TITLE: TRANSFORMER, POWER

MATERIAL: AS LISTED

FINISH: AS NOTED

BLANK SIZE:		TYPE: 535 X P	
DR. BY: <i>P</i>	SCALE:	DATE: 6/30/61	DRG. NO.

4 ANGLES 32° PART NO. 120-086 DWG. NO. B-1849