

## 206D SCOPE MOBILE® CART

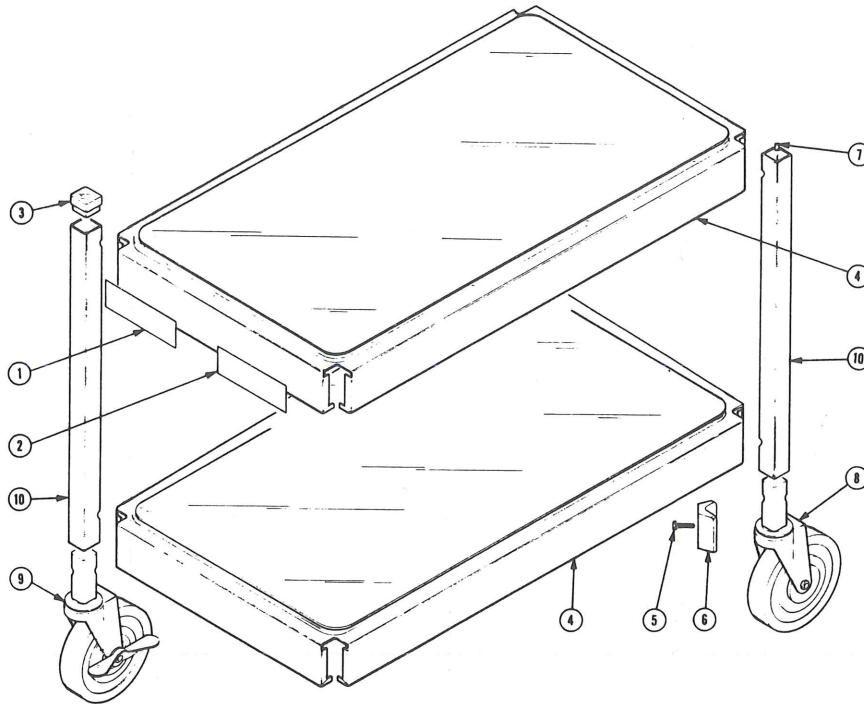


Fig. & Index No.	Tektronix Part No.	Serial/Assembly No. Effective Dscont	Qty	12345	Name & Description	Mfr. Code	Mfr. Part No.
1-1	334-5089-00		1		MARKER,IDENT:MKD CAUTION	80009	334-5089-00
-2	334-5109-00		1		PLATE,IDENT:MKD TEKTRONIX 206D SCOPE-MOBILE	80009	334-5109-00
-3	200-1283-02		4		CAP,TRIM:	80009	200-1283-02
-4	436-0105-03		2		TRAY ASSY,TERM:W/TRIM	80009	436-0105-03
					ATTACHING PARTS		
-5	213-0052-00		8		SCR,ASSEM WSHR:0.25-20 X 1.0,HEX HD,STL	83385	ORDER BY DESC
-6	343-0407-00		8		CLAMP,LEG SECRG:TEST EQUIP DOLLY,STL	80009	343-0407-00
-7	210-0411-00		4		NUT,PLAIN,HEX:0.25-20 X 0.438 STL CD PL	73743	ORDER BY DESC
					END ATTACHING PARTS		
-8	401-0016-00		2		CASTER,RIGID:5.0 DIA W/SQ STEM 2.312 L	21672	29868
-9	401-0023-00		2		CASTER,RIGID:5.0 DIA	21672	29869
-10	436-0106-02		4		LEG TERM,CART:	80009	436-0106-02
					STANDARD ACCESSORIES		
	062-6617-00		1		DATA SHEET:SCOPEMOBILE	80009	062-6617-00

### CROSS INDEX - MFR. CODE NUMBER TO MANUFACTURER

Mfr. Code	Manufacturer	Address	City, State, Zip Code
21672	AXIA INC FAULTLESS DIV	1421 N GARVIN ST	EVANSVILLE IN 47717
73743	FISCHER SPECIAL MFG CO	446 MORGAN ST	CINCINNATI OH 45206
80009	TEKTRONIX INC	4900 S W GRIFFITH DR P O BOX 500	BEAVERTON OR 97077
83385	MICRODOT MANUFACTURING INC GREER-CENTRAL DIV	3221 W BIG BEAVER RD	TROY MI 48098

