

DESCRIPTION

The M027 is used to produce a positioning signal (10 level staircase) for the new generation readout system, and also to position the decimal point. This integrated circuit consists of a decade counter, digital-to-analog converter, and input logic.

PROCESS . . . . . 200  $\Omega$ /Sq

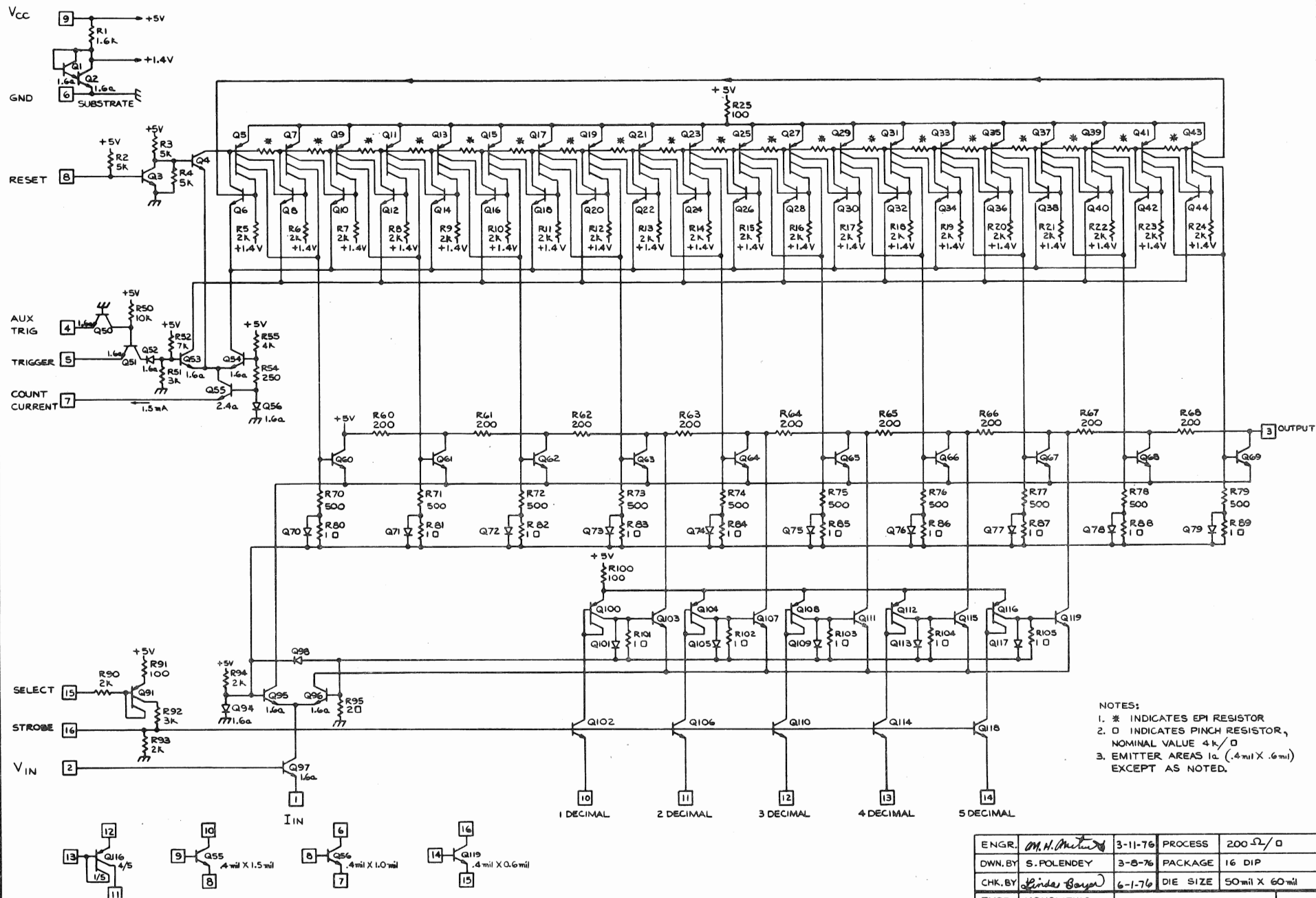
POWER SUPPLY. . . . .  $V_{CC}$  +5 Volts

PACKAGE . . . . . 16 DIP

DESIGNER . . . . . Les Larson

INSTRUMENT USAGE . . . . .

7704A	7904
R7704	7903
A7704	7313
5403	7613
5441	7633
5443	7603
7944	7603G
7912	7603H
7504	7603K
7514	5440
P7001	



- NOTES:  
 1. \* INDICATES EPI RESISTOR  
 2. O INDICATES PINCH RESISTOR, NOMINAL VALUE 4k/O  
 3. EMITTER AREAS 1a (.4mil X .6mil) EXCEPT AS NOTED.

ENGR.	<i>M.H. McIntire</i>	3-11-76	PROCESS	200 $\Omega$ /O
DWN. BY	S. POLENDEY	3-8-76	PACKAGE	16 DIP
CHK. BY	<i>Linda Boyer</i>	6-1-76	DIE SIZE	50mil X 60mil
TYPE	MONOLITHIC	DECIMAL POINT & SPACING		MO27B
INTEGRATED CIRCUITS ENG/MFG TEKTRONIX, INC. BEAVERTON, OREGON, U.S.A.				PART NO. 155-0019-00