

VERTICAL OUTPUT AMPLIFIER

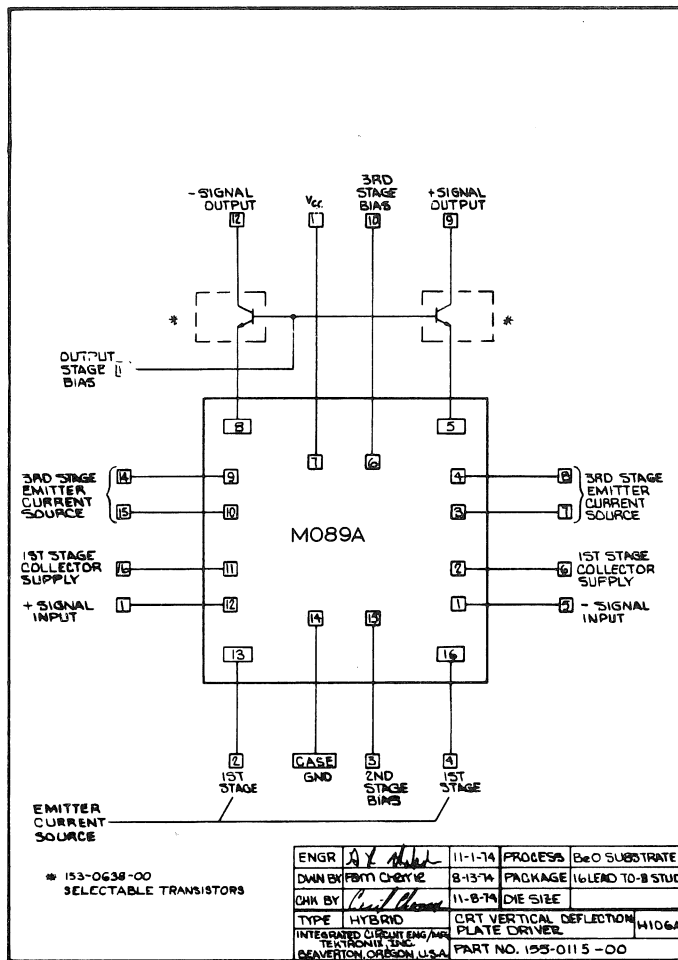
155-0115-00 H106A

DESCRIPTION

The H106A is a Integrated Circuit/Transistor Hybrid designed specifically as a Vertical Deflection Plate Driver in a CRT enabling a bandwidth of DC to 100 MHz.

Refer to 203-0089-90 M089

PROCESS . . . . .	Thin-Film
POWER SUPPLY. . . . .	+15 Volts
DESIGNER . . . . .	Oscar Olson
PACKAGE . . . . .	T0-8
INSTRUMENT USAGE . . . . .	464 465B 466



**OUTLINE DRAWING NOT  
AVAILABLE AT THIS TIME**