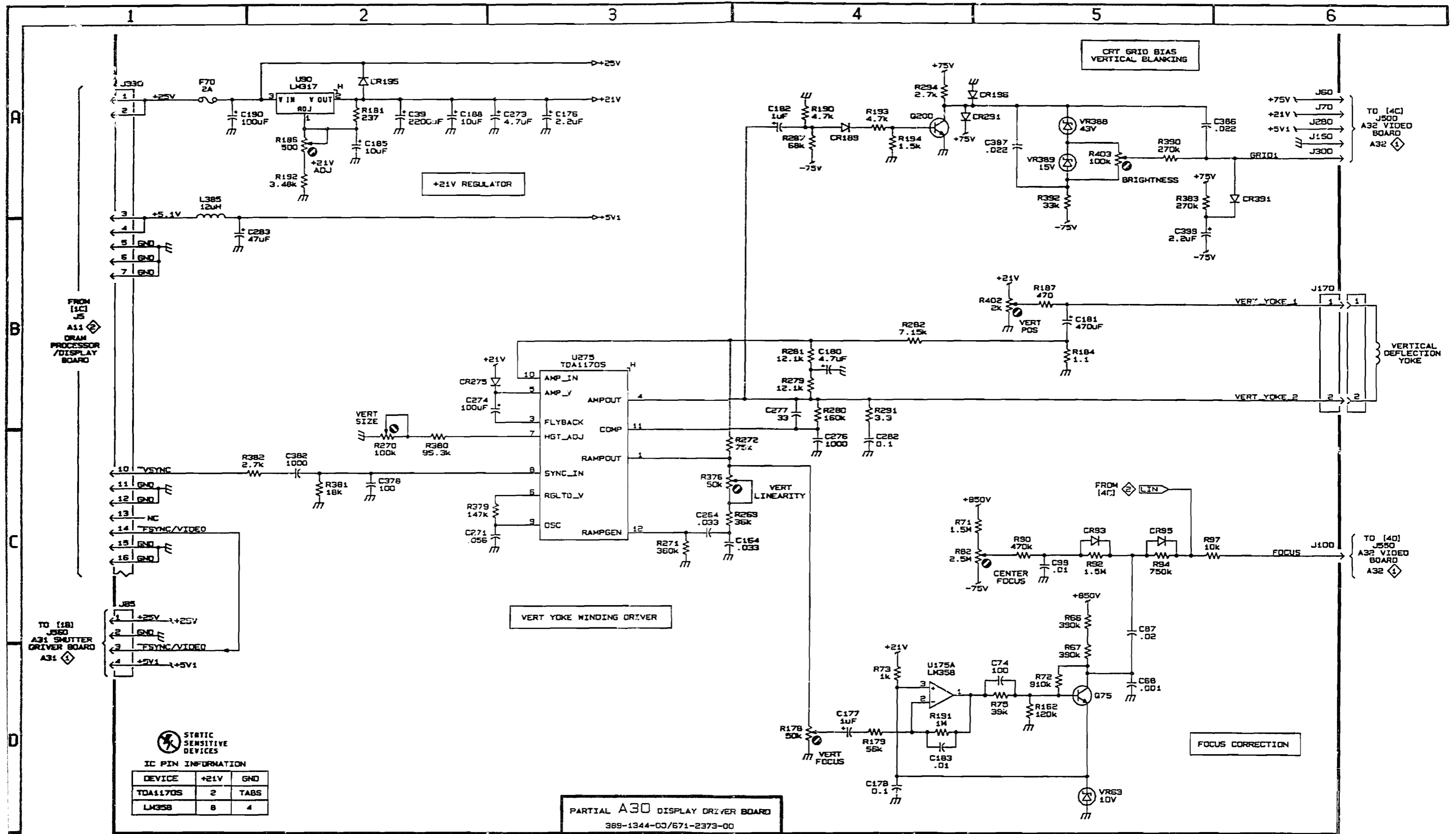


TDS 544A

DISPLAY DRIVER BOARD BLOCK DIAGRAM

A30

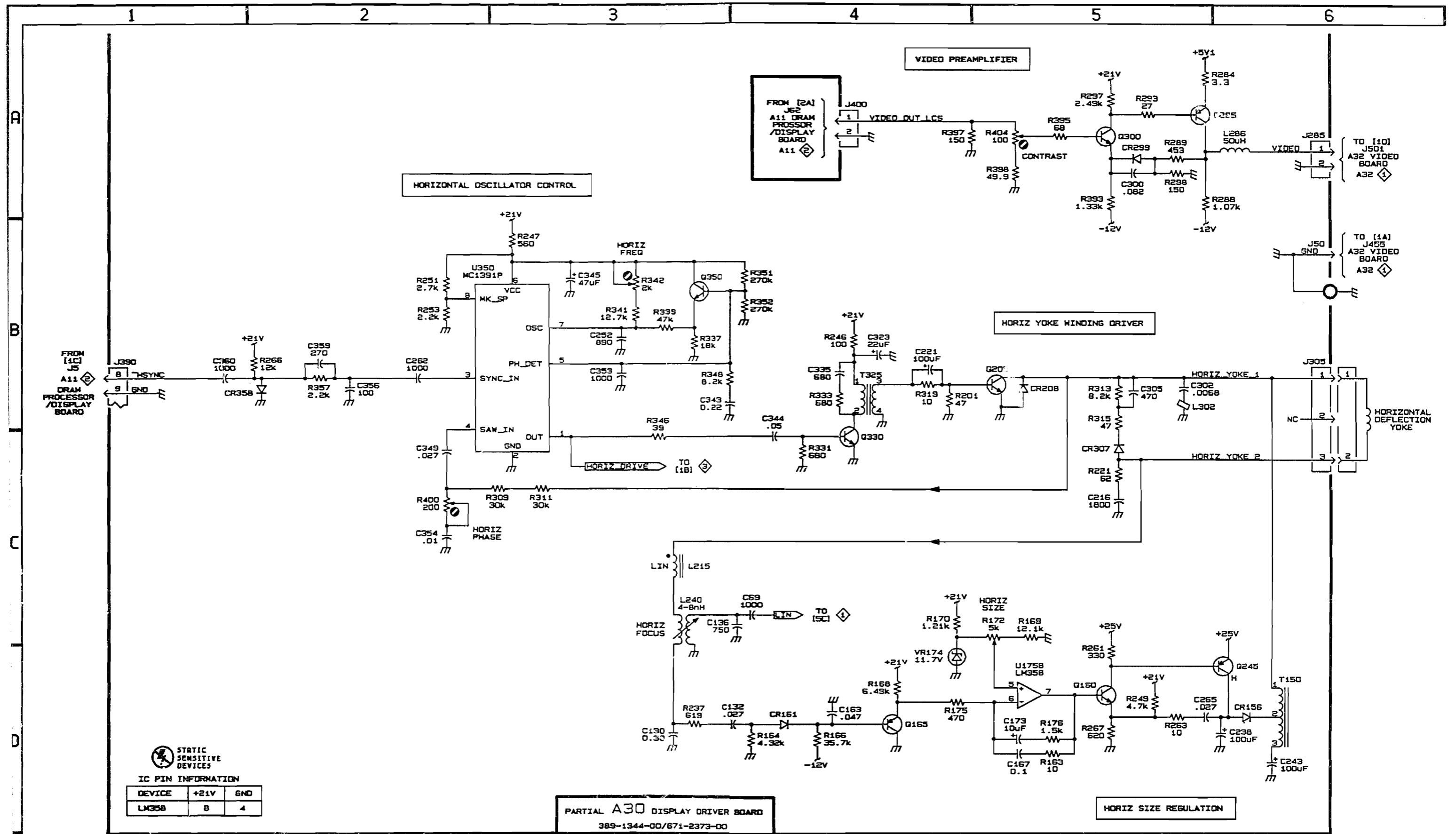


STATIC SENSITIVE DEVICES

IC PIN INFORMATION

DEVICE	+21V	GND
TDA1170S	2	TABS
LM358	8	4

PARTIAL A30 DISPLAY DRIVER BOARD
389-1344-00/671-2373-00



STATIC SENSITIVE DEVICES

IC PIN INFORMATION

DEVICE	+21V	GND
LM358	8	4

PARTIAL A30 DISPLAY DRIVER BOARD
 389-1344-00/671-2373-00

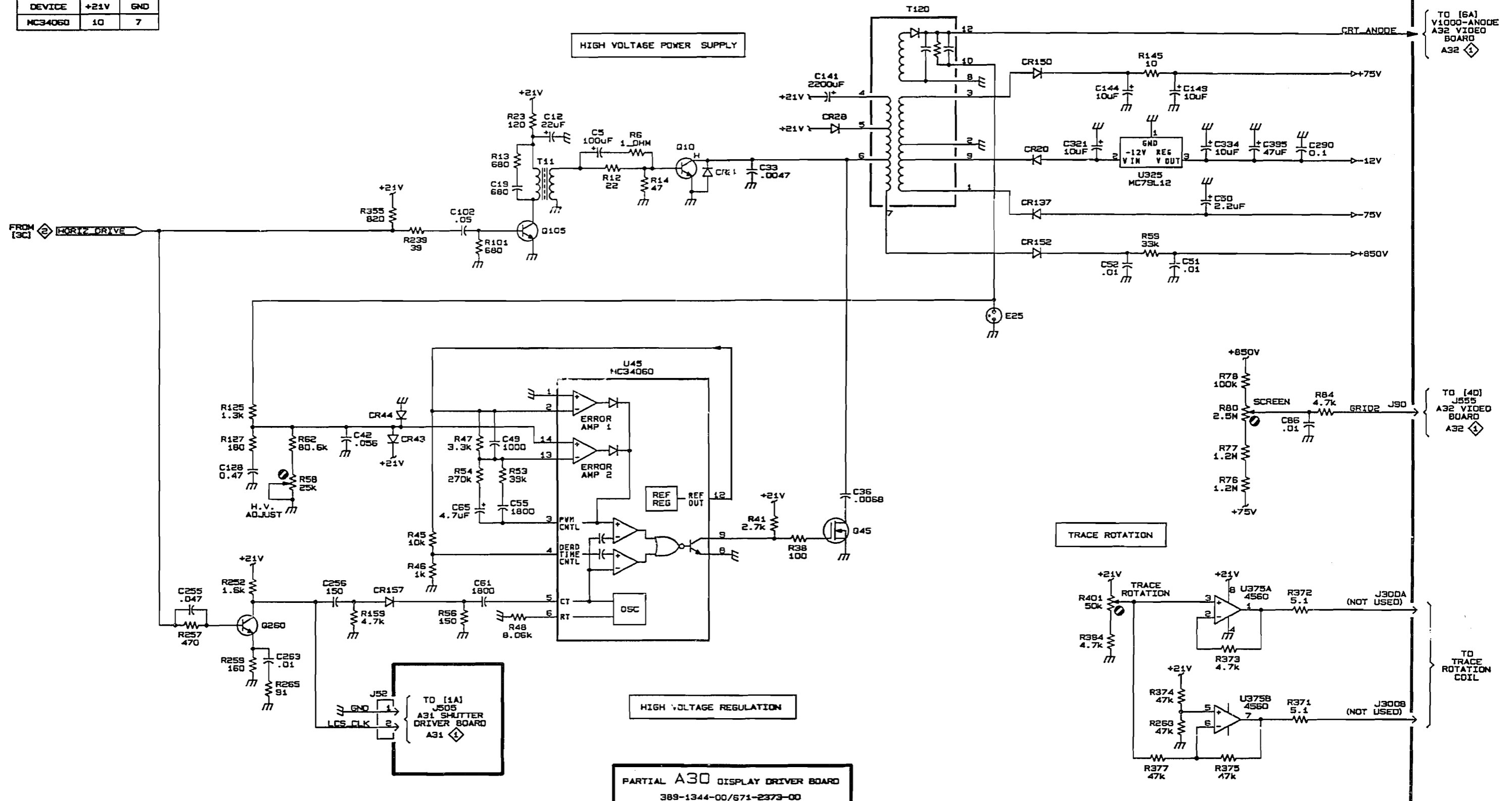
HORIZ SIZE REGULATION

1 2 3 4 5 6

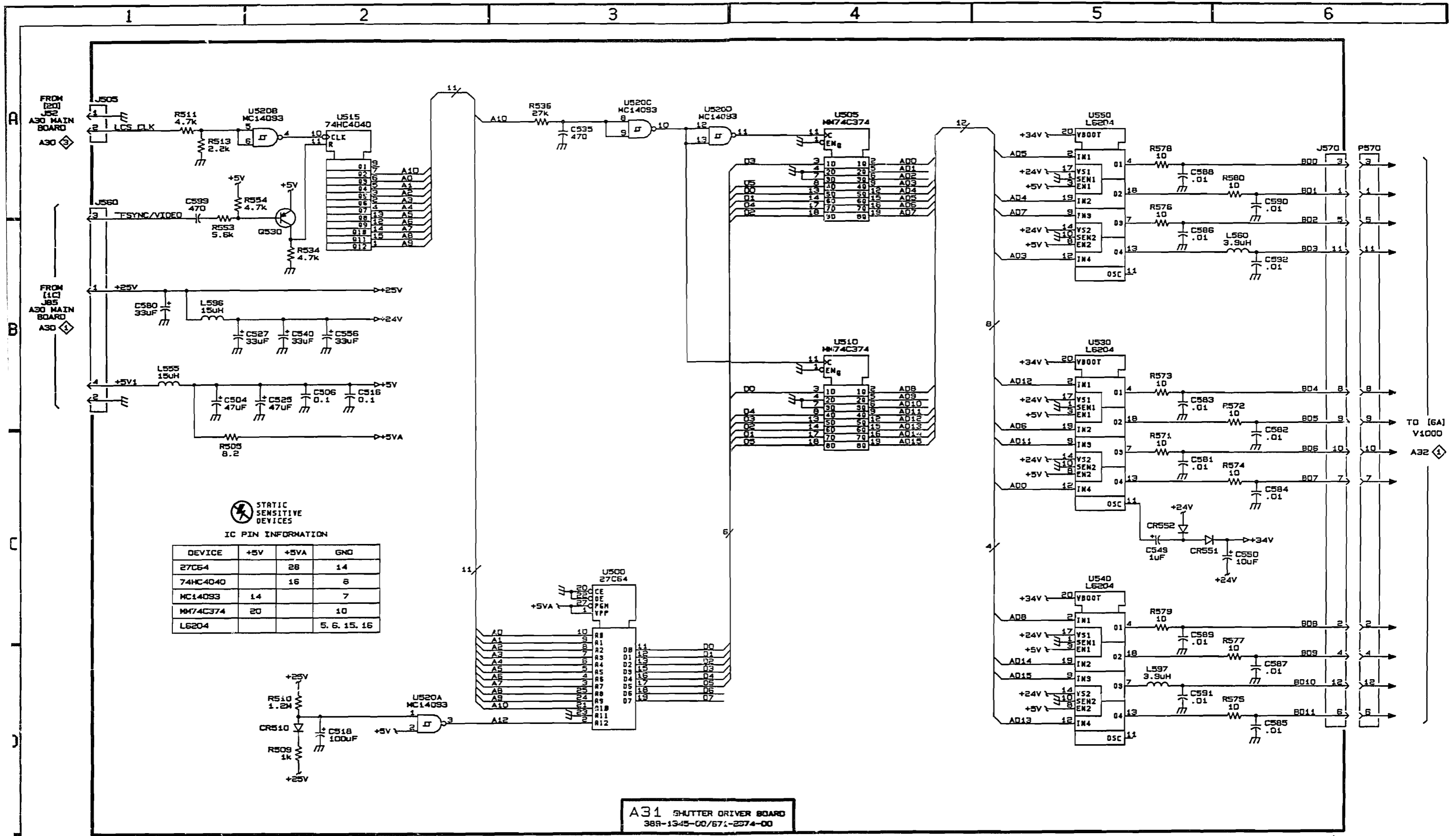


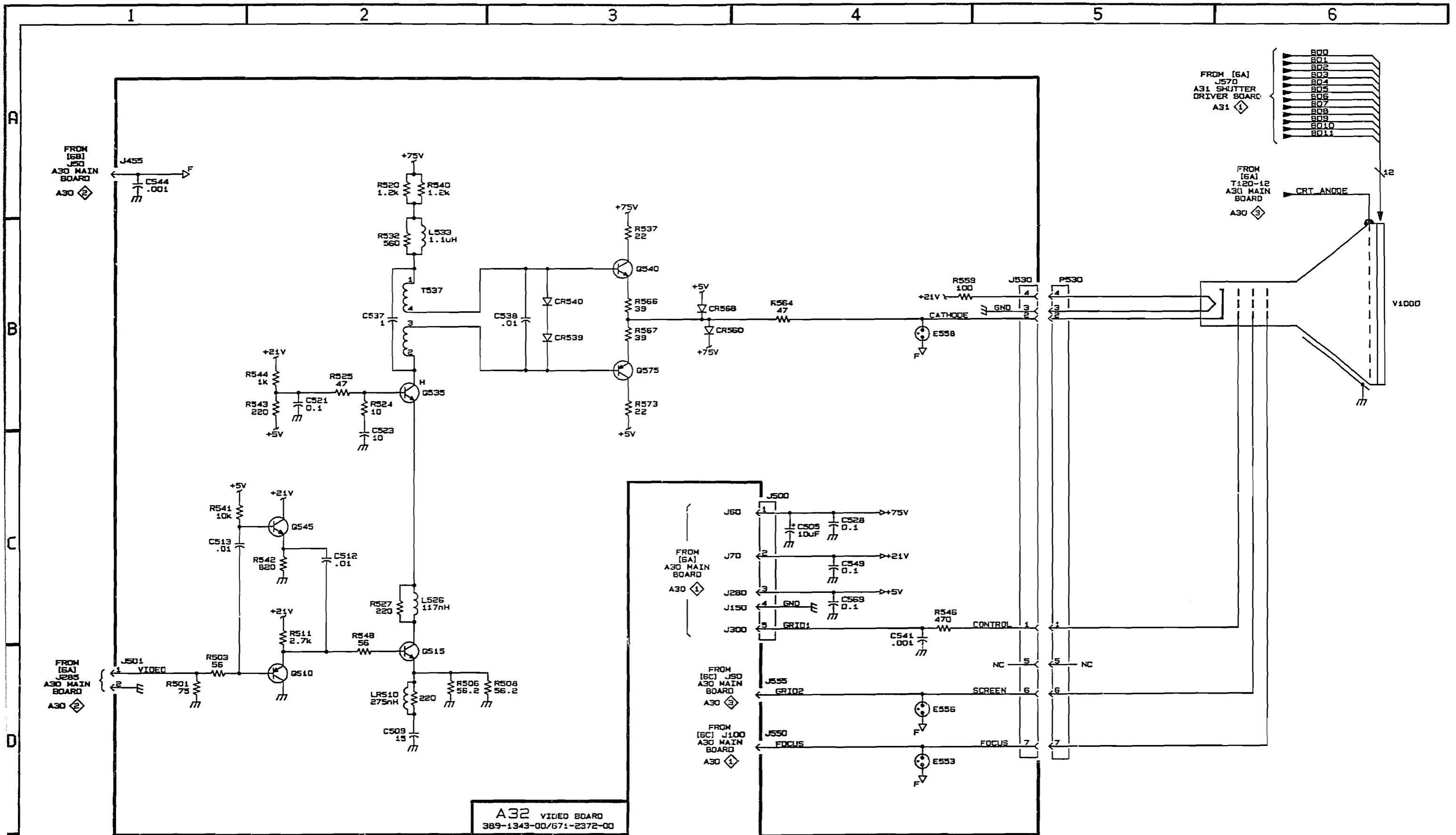
IC PIN INFORMATION

DEVICE	+21V	GND
MC34060	10	7



PARTIAL A30 DISPLAY DRIVER BOARD
389-1344-00/671-2373-00



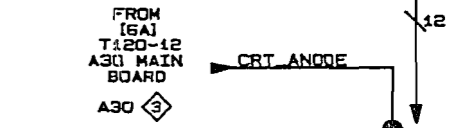
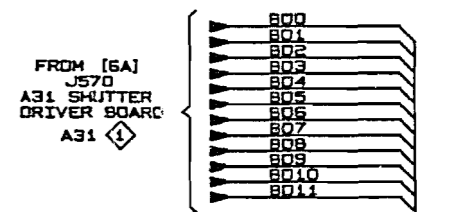


TDS 544A

A32 VIDEO BOARD
389-1343-00/671-2372-00

REV. JAN 15, 1993

VIDEO AMPLIFIER AND CRT A32 1



V1000

