

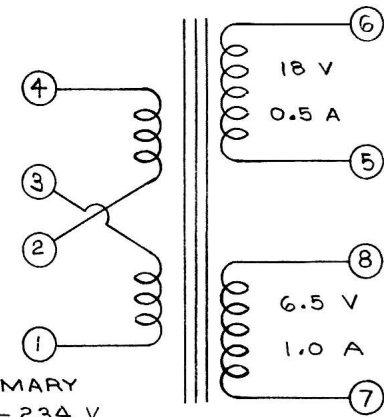
LAMINATION 386-0008-00  
LABEL 334-0712-00  
FINISH - BLACK GLYPTAL 252-0039-00

TURNS  
WIRE SIZE

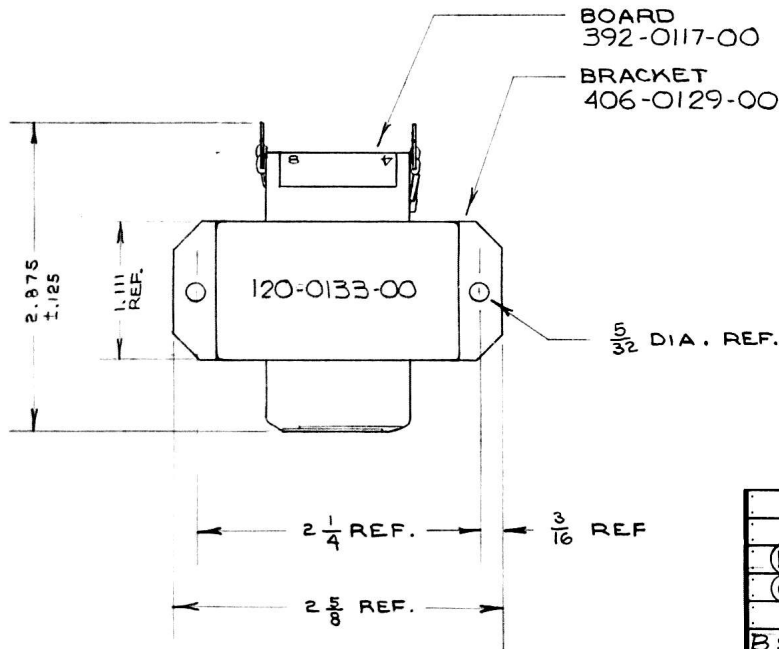
TYPE WINDING	TERM. NO.
SECONDARY 225 T #26	5-6
SECONDARY 80 T #23	7-8
PRIMARY 1267 T #34	2-4
PRIMARY 1267 T #34	1-3

INSIDE

VOLTAGE & CURRENT RATINGS ARE NOMINAL & VARY WITH LOAD & LINE VOLTAGE. ALL WINDINGS ARE INSULATED FOR 600VDC.



PRIMARY  
117 - 234 V  
50-400~



BOARD 392-0117-00  
BRACKET 406-0129-00

DELETED

REVISION	BY	DESCRIPTION OF CHANGE	DATE
(D)	BSB	STATUS WAS CS	28 APR 75
(C)	LG	ALL PN CHANGED FROM 6 TO 9 DIGITS, XXX-0XXX-00 ("X" INDICATES OLD NO.)	5 NOV 68
B S8153	RBN F. 25	ADDED: B TO 176-032.	4.3.64
A	BSB	ADD: CUST. SER.	23 OCT 63

**TEKTRONIX, INC.**  
PORTLAND, OREGON, U.S.A.

TITLE: TRANSFORMER, POWER  
MATERIAL: AS LISTED  
FINISH: AS NOTED

ENGR: GS  
CH. BY: rfc  
DR. BY: P  
SCALE:  
PART NO: 120-0133-00  
DWG. NO: B-1876

TYPE: 10B  
DATE: 6/8/61

TOLERANCE FRACTIONAL ±1/64 ANGLES ±2° UNLESS OTHERWISE SPECIFIED