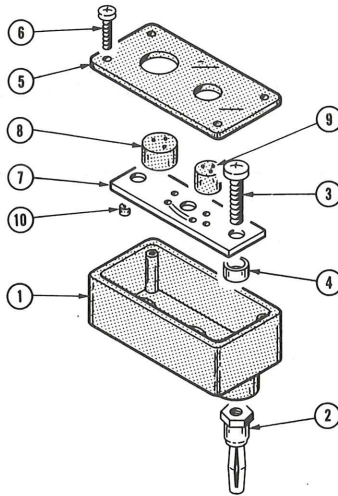


TEST ADAPTER

Part No. 013-0128-00



REPLACEABLE PARTS LIST

Fig. & Index No.	Tektronix Part No.	Serial/Assembly No. Effective	Discont	Qty	12345 Name & Description	Mfr. Code	Mfr. Part No.
1-	013-0128-00			1	ADAPTER, TEST:3 LEAD TRANSISTOR	80009	013-0128-00
-1	202-0100-01			1	.BOX, SKT ADPTR:2.0 X 0.606 X 1.0, NYLON BLK	80009	202-0100-01
-2	134-0013-00			3	.PLUG, TIP: BANANA, 6-32 INT THD END (ATTACHING PARTS)	74970	108-753-17
-3	211-0513-00			3	.SCREW, MACHINE:6-32 X 0.625, PNH, STL	93907	B80-00032-003
-4	166-0031-00			3	.SPACER, SLEEVE:0.25 L X 0.18 ID, AL (END ATTACHING PARTS)	80009	166-0031-00
-5	200-0402-01			1	.COVER, SKT ADPTR: (ATTACHING PARTS)	80009	200-0402-01
-6	213-0113-00			4	.SCREW, TPG, TF:2-32 X 0.312, TYPE B, PNH, STL (END ATTACHING PARTS)	93907	ORDER BY DESC
-7	670-1936-01			1	.CIRCUIT BD ASSY:ADAPTER	80009	670-1936-01
-8	136-0330-01			1	..SKT, PL-IN ELEK:TRANSISTOR, 3 CONTACT	98291	027-1758-000-999
-9	136-0331-01			1	..SKT, PL-IN ELEK:TRANSISTOR, 3 CONTACT	98291	027-1754-000-999
-10	276-0507-00			3	..SHLD BEAD, ELEK:FERRITE	02114	56-590-65B/3B
					STANDARD ACCESSORIES		
	062-5825-00			1	DATA SHEET:	80009	062-5825-00

NO. 062-5825-00
DATE OCT 1988(R)

COPYRIGHT © 1981
TEKTRONIX INC.
ALL RIGHTS RESERVED

CROSS INDEX - MFR. CODE NUMBER TO MANUFACTURER

Mfr. Code	Manufacturer	Address	City, State, Zip Code
02114	AMPEREX ELECTRONIC CORP FERROXCUBE DIV	5083 KINGS HWY	SAUGERTIES NY 12477
74970	JOHNSON E F CO	299 10TH AVE S W	WASECA MN 56093-2539
80009	TEKTRONIX INC	14150 SW KARL BRAUN DR PO BOX 500	BEAVERTON OR 97707-0001
93907	TEXTRON INC CAMCAR DIV	600 18TH AVE	ROCKFORD IL 61108-5181
98291	SEAELECTRO CORP BICC ELECTRONICS	40 LINDEMAN DR	TURNBULL CT 06611-4739