

TIMING GENERATOR

155-0021-00

M029C

DESCRIPTION

This integrated circuit generates a timing clock, a shaped negative pulse for the M025 (155-0017-00), a scanning ramp for the M024, and X-Y on-off and intensity controls for the Z axis.

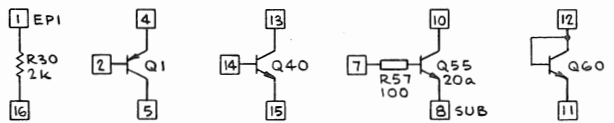
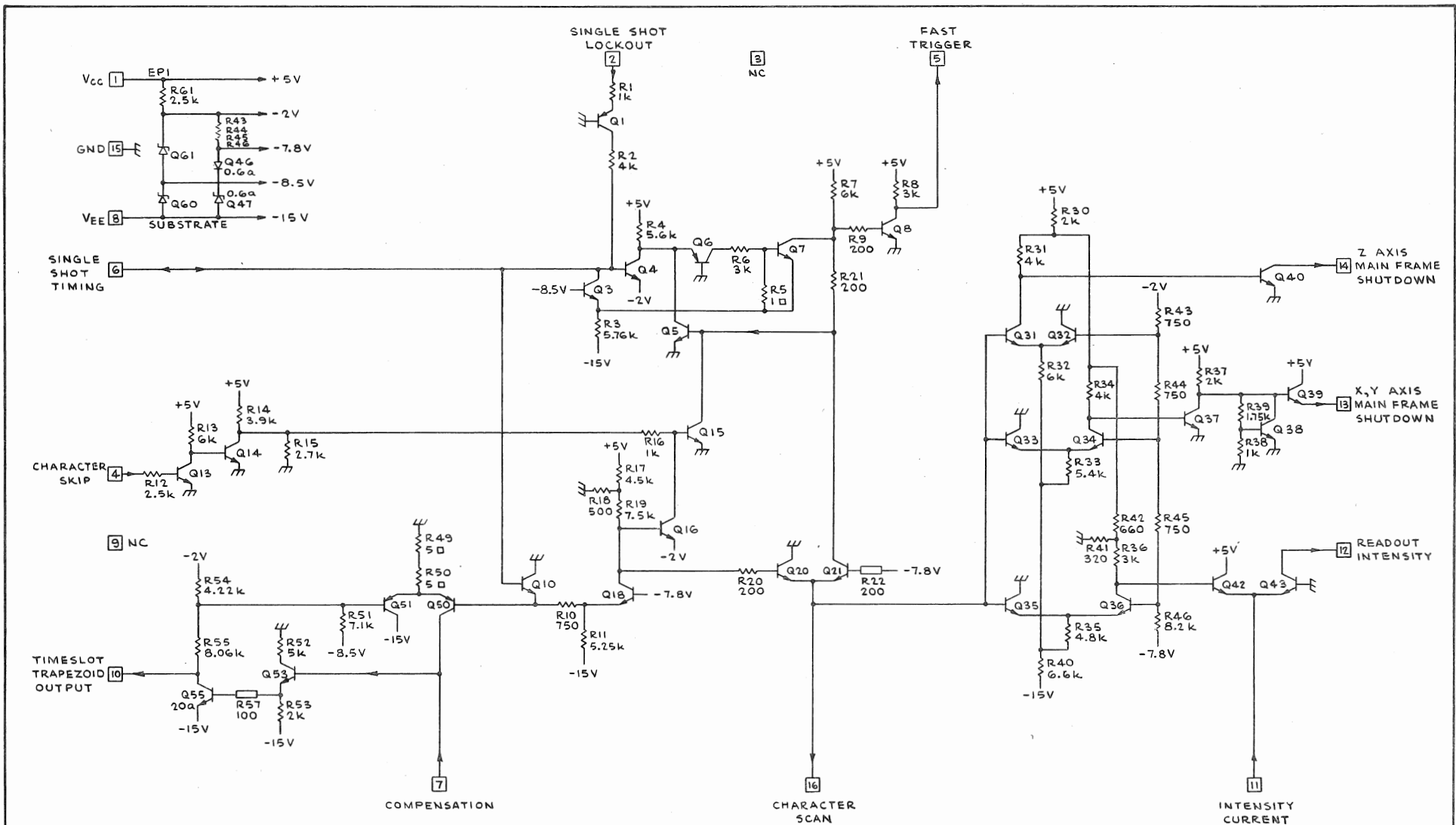
PROCESS 200 Ω /Sq

POWER SUPPLY. V_{CC} +5V, V_{EE} -15V

PACKAGE 16 DIP

DESIGNER Les Larson

INSTRUMENT USAGE 7704A 7904
A7704 7903
R7704 7313
5403 7613
5441 7633
7844 7603G
7912 7603H
7504 7603K
7514 5440
P7001



TEST ROW

- NOTES:**
- 1. □ INDICATES PINCH RESISTOR, NOMINAL VALUE 4k/□.
 - 2. □ INDICATES CROSSUNDER RESISTOR.
 - 3. 1a = 13 x 25 μ.

REVISIONS	ENGR	DATE	DRAWN BY	DATE	PRODUCTION DATE	PROCESS	PACKAGE	DIE SIZE	TYPE	TIMING GENERATOR	MO29C
	M.H. Austin	6-20-77	R. Hankins	6-17-77	David Van Cleave	200 Ω/□	16 PIN DIP	48 x 57 mils	MONOLITHIC		
	DWN BY								INTEGRATED CIRCUIT ENG/MFG		
	CHK BY								TEKTRONIX, INC.		
									BEAVERTON, OREGON, U.S.A.	PART NO. 155-0021-00	