

A1006 TRANSISTOR LONG LEAD ADAPTER

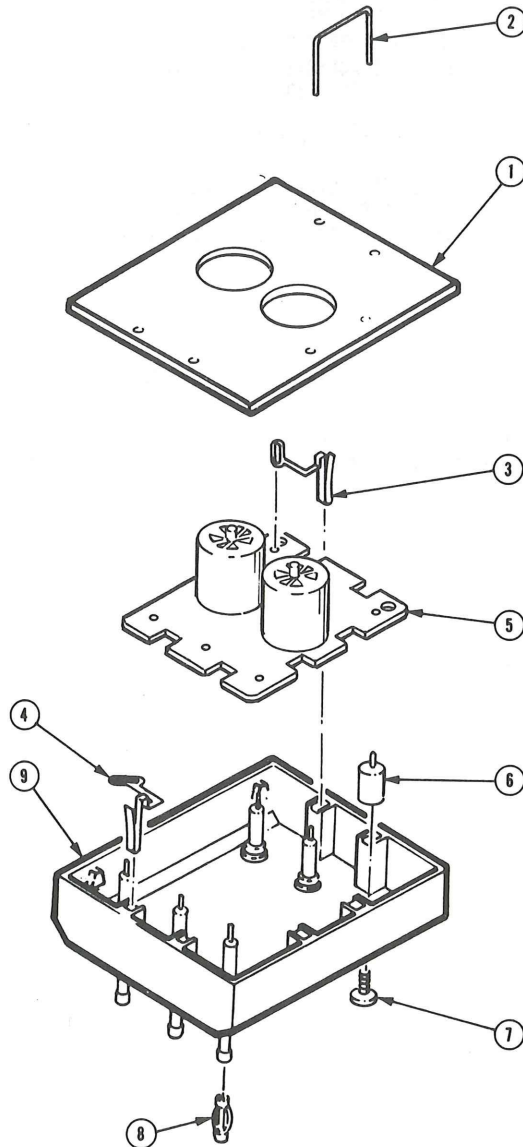


Fig. & Index No.	Tektronix Part No.	Serial/Assembly No.		Qty	12345	Name & Description	Mfr.		
		Effective	Dscont				Code	Mfr. Part No.	
1-1	200-3170-00	8537	8638	1		COVER,XSTR ADAP:PLASTIC,MKD LONG LEAD XSTR	80009	200-3170-00	
	200-3170-01	8639		1		COV,XSTR ADPTR:PLASTIC,MKD LONG LEAD XSTR	80009	200-3170-01	
-2	131-1046-00			1		CONTACT,ELEC:TEST ADPTR,BRS CU-SN-ZN	80009	131-1046-00	
-3	131-3442-01			1		CONTACT,ELEC:CU-8E,NI PL,RIGHT,PKG OF 3	80009	131-3442-01	
-4	131-3441-01			1		CONTACT,ELEC:8E-CU,NI PL,LEFT,PKG OF 3	80009	131-3441-01	
-5	670-9168-00			1		CIRCUIT BD ASSY:DUAL LONG LEAD TRANSISTORS	80009	670-9168-00	
-6	-----			1		MOUNT,CKT BOARD: (AVAILABLE ONLY AS PACKAGE OF 5)			
	426-2108-01			1		MOUNT,CKT BOARD:PKG OF 5 (ATTACHING PARTS)	80009	426-2108-01	
-7	134-0186-00			1		PLUG,TIP:DUMMY (END ATTACHING PARTS)	80009	134-0186-00	
-8	214-3790-00			5		SPRING,CONTACT:0.470 L,CU 8E	80009	214-3790-00	
-9	202-0199-00	8537	8638	1		BOX,TEST ADPTR:3.006 X 2.50 X 0.640	80009	202-0199-00	
	202-0199-01	8639		1		BOX,TEST ADPTR:3.006 X 2.5 X 0.64	80009	202-0199-01	
STANDARD ACCESSORIES									
	003-1369-00	8537	8638	1		Rlse TOOL,COVER:POLYCARBONATE	80009	003-1369-00	
	196-3063-00			1		LEAD,ELECTRICAL:20 AWG,8.0 L,2-0	80009	196-3063-00	
	062-8515-01			1		DATA SHEET:A1006 LONG LEAD ADAPTER	80009	062-8515-01	

CROSS INDEX - MFR. CODE NUMBER TO MANUFACTURER

Mfr. Code	Manufacturer	Address	City, State, Zip Code
80009	TEKTRONIX INC	4900 S M GRIFFITH DR P O BOX 500	BEAVERTON OR 97077