

D/A CONVERTER

155-0038-01 M45D  
155-0038-02

DESCRIPTION

The M045 is a 5-bit precision current source digital to analog converter. The current ratios are set by external resistors. The range of the MSB is 5 mA to 30 mA. Two packages may be used together for a 10-bit D/A with  $\pm 1/2$  LSB accuracy.

The output is designed to sum into  $\emptyset$  volts. The logic inputs are T<sup>2</sup>L level compatible with a low state being true.

PROCESS . . . . . 200  $\Omega$ /Sq

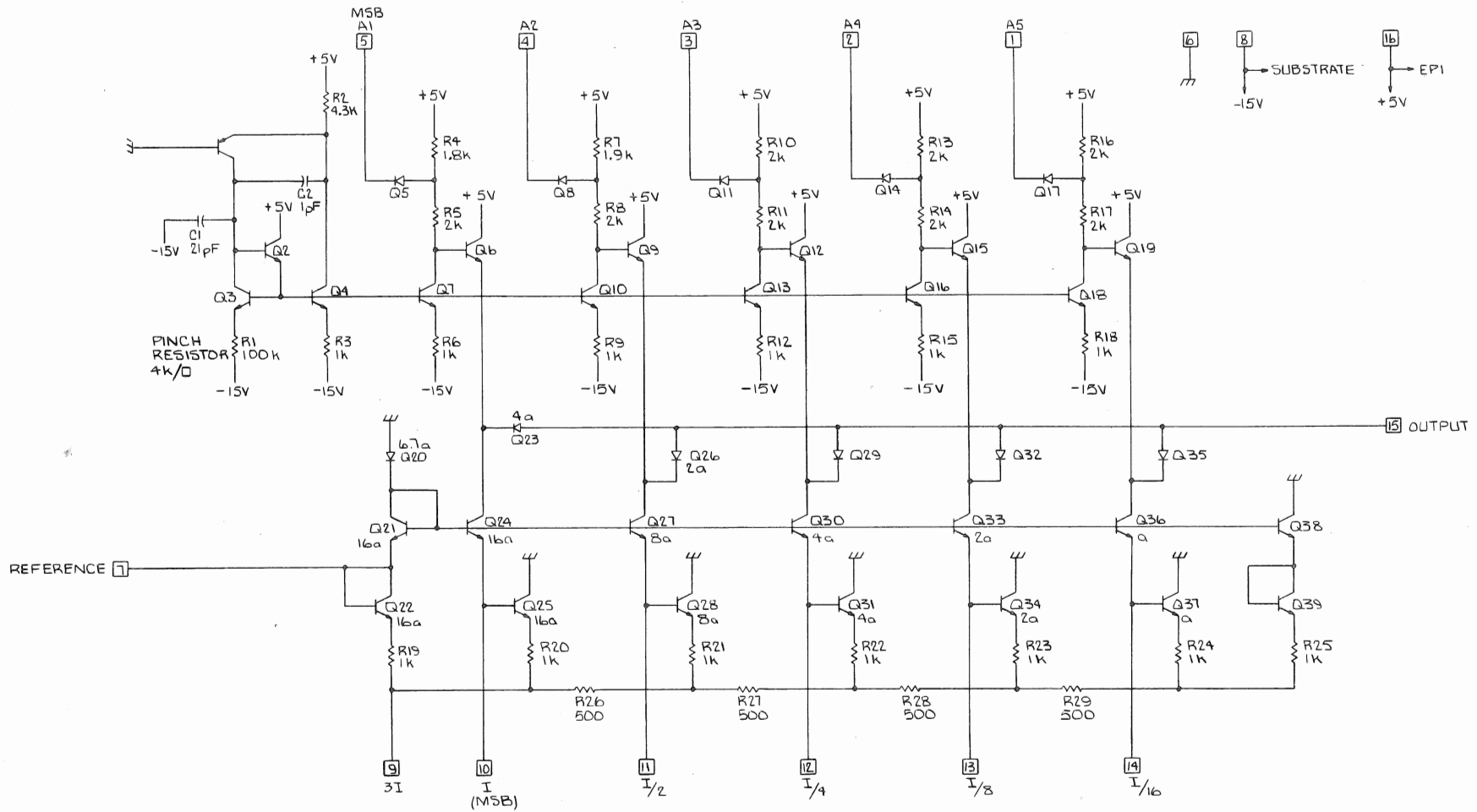
POWER SUPPLY. . . . . V<sub>CC</sub> +5V, V<sub>EE</sub> -5V to -15V

PACKAGE . . . . . 16 Pin DIP

DESIGNER . . . . . Mike Metcalf

INSTRUMENT USAGE . . . . . 7D13 P7001950C  
7D14 P7701953Q  
7M13 P7001  
7S12 1461  
S6

- LOGIC INPUTS -



ENGR	<i>M.H. [Signature]</i>	11-13-74	PROCESS	200 $\Omega$ /□
DWN BY	<i>Pam Cherrie</i>	11-1-74	PACKAGE	16 PIN DIP
CHK BY	<i>Jim M. [Signature]</i>	11-25-74	DIE SIZE	50 mil x 50 mil
TYPE	MONOLITHIC	D-A CONVERTER		MO45D
INTEGRATED CIRCUIT ENG/MFG TEKTRONIX, INC. BEAVERTON, OREGON, U.S.A.			PART NO. 155-0038-01/02	