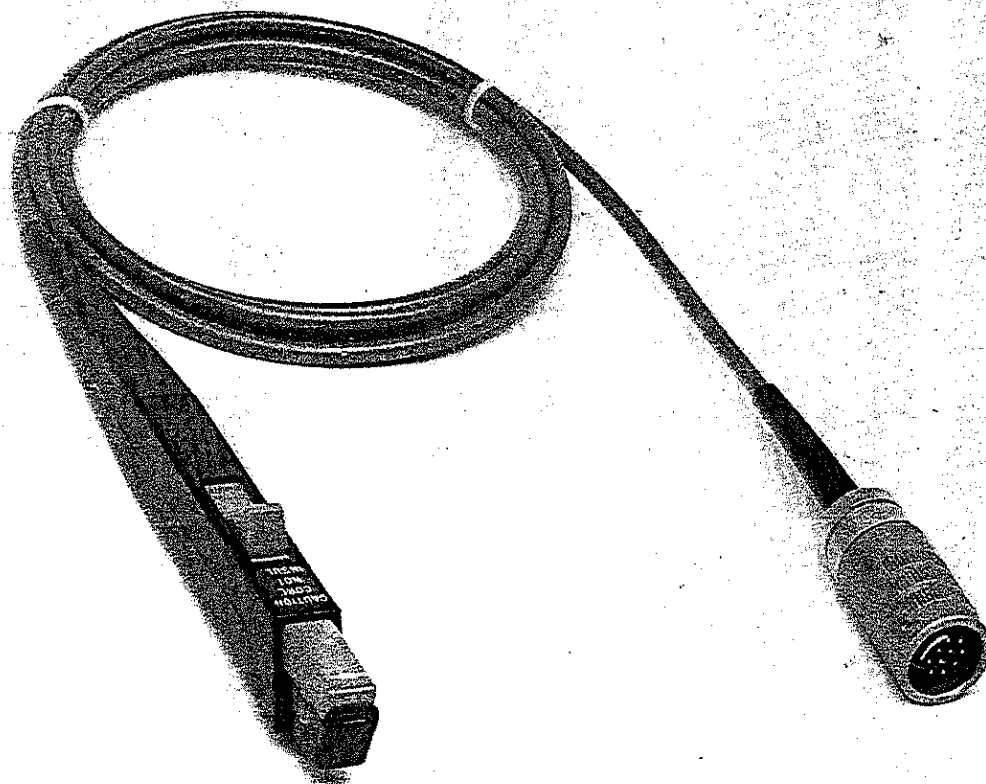


# Instructions

## P6302 Current Probe

010-6302-01



2897-01

## WARRANTY

Tektronix warrants to the original purchaser that this product is free from defects in materials and workmanship, under normal use, for a period of one (1) year from the date of shipment. Tektronix will, at its option, repair or replace the product if Tektronix determines it is defective within the warranty period, and it is returned, freight prepaid, to a Tektronix Service Center.

**There is no implied warranty of fitness for a particular purpose. Tektronix is not liable for consequential damages.**

Copyright © 1979 by Tektronix, Inc. All rights reserved. Contents of this publication may not be reproduced in any form without the permission of Tektronix, Inc.

Products of Tektronix, Inc. and its subsidiaries are covered by U.S. and foreign patents and/or pending patents.

TEKTRONIX, TEK, SCOPE-MOBILE, and  are registered trademarks of Tektronix, Inc.

Printed in U.S.A. Specification and price change privileges are reserved.

## DESCRIPTION

The P6302 is a dc to 50 MHz probe capable of measuring currents to 20 A dc (dc plus peak ac), and up to 50 A peak current, not to exceed the amp-second rating. The P6302 is designed for use with a Current Probe Amplifier.

A Hall generator device is used in the probe to provide dc and low-frequency current information. Low-frequency (from the Hall device) and high-frequency

information (from the current transformer) are combined in the current probe amplifier to produce an accurate representation of the current being measured.

A spring-loaded slider permits the current transformer core to open and close around a conductor. The slider is pushed forward into the CLOSED position to measure the current in a conductor. A multi-pin connector is provided to permit connection of the probe to a current probe amplifier.

## SPECIFICATION

The following instrument specification applies over an ambient temperature range of 0°C to +50°C, providing the instruments were calibrated in an ambient

temperature range between +20°C and +30°C. The amplifier and probe must operate for at least 20 minutes before making measurements.

Table 1  
ELECTRICAL CHARACTERISTICS

Characteristics	Performance Characteristics	Supplemental Information
Bandwidth	dc to at least 50 MHz	
Risetime	7 ns or less	
Aberrations		
First 100 ns	+5%, -5%, or less. Total not to exceed 7% p-p; on 100 MHz oscilloscope system	
After 100 ns	+3%, -3%, or less. Total not to exceed 4% p-p; on 100 MHz oscilloscope system	
Noise	≤0.3 mA tangentially measured	Probe Amplifier Bandwidth at 100 MHz, sensitivity 1 mA

Table 1 (cont)

Characteristics	Performance Characteristics	Supplemental Information
Maximum Input Current dc + peak ac		20 A maximum (ac current not to exceed derating curve for continuous operation); see derating curve, Fig. 1
Peak Pulse		50 A maximum not to exceed Dynamic Range of AM 503
Maximum Voltage on bare conductor being tested		500 V (dc + peak ac)
External Voltage Feedthrough Susceptibility		250 $\mu$ A/V or less at 50 MHz

Table 2

ENVIRONMENTAL CHARACTERISTICS

Characteristic	Information
Temperature	
Non-Operating (Storage)	-55°C to +75°C
Operating	0°C to +50°C
Altitude	
Non-Operating	50,000 feet
Operating	15,000 feet

Table 3

PHYSICAL CHARACTERISTICS

Characteristics	Information
Dimensions, Probe Head	
Length	7 7/8 inches
Height	1 1/4 inches
Width	7/16 inch
Jaw Size	0.15 inch

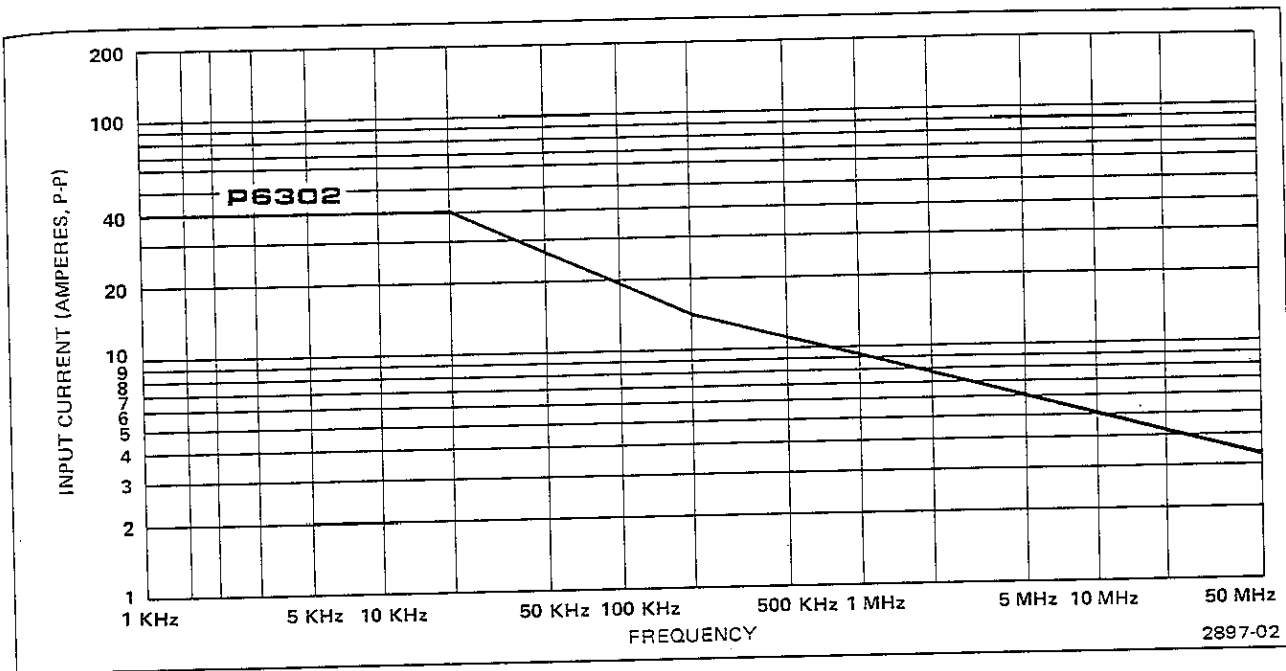


Fig. 1. Maximum input current derating curve.

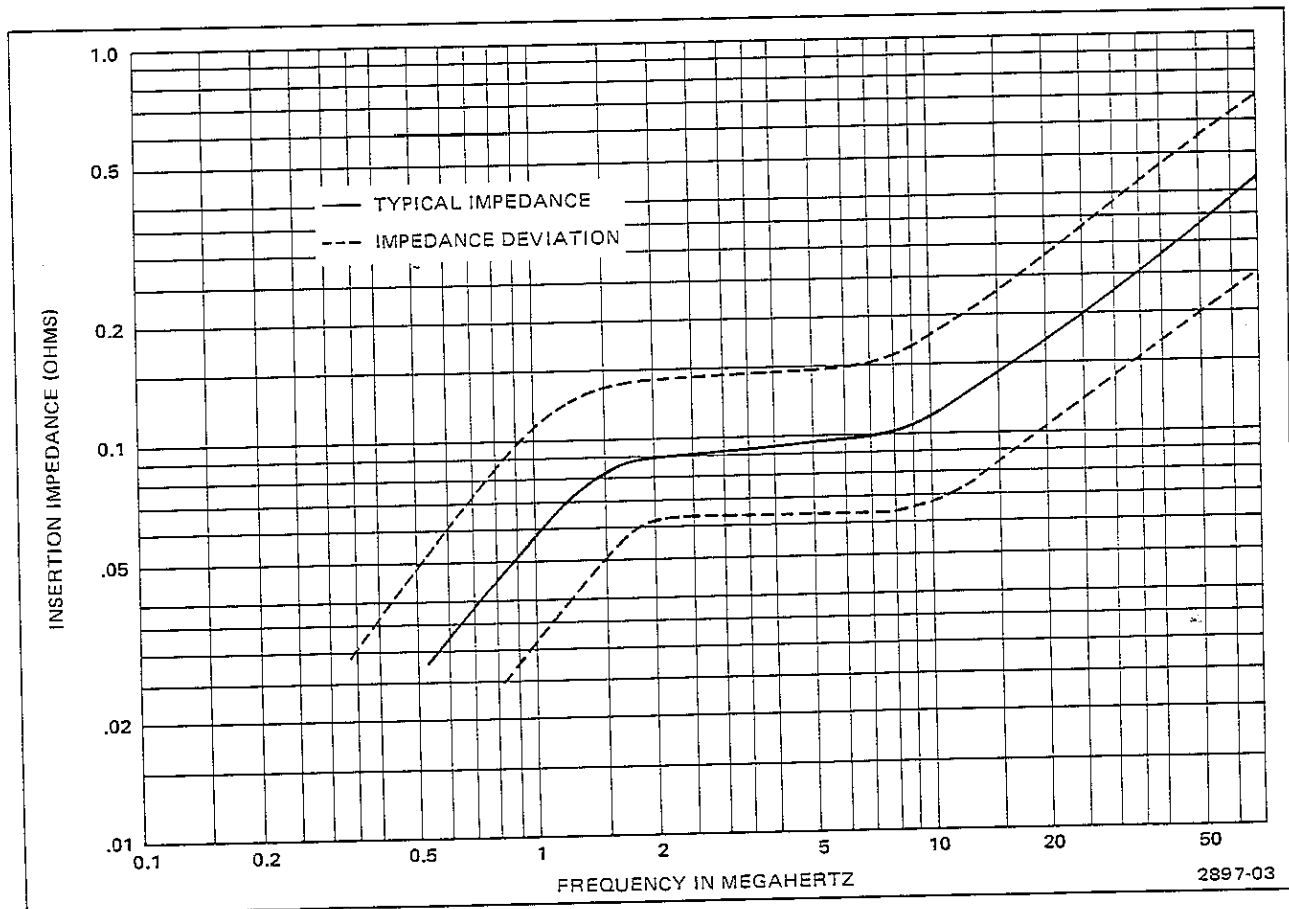


Fig. 2. Insertion impedance versus frequency in megahertz.

## OPERATING CONSIDERATIONS

### Ground Clip Leads

Two ground-clip leads are supplied with each probe. These leads are provided to ground the probe shield at the probe head to reduce high-frequency electrostatic voltages that could be coupled to the current transformer. Normally, the ground lead is not used in the 1, 2, and 10 mA sensitivities of the current probe amplifier due to undesirable currents that may appear in these more sensitive positions. When observing high-frequency signals, use the short ground lead.

### Circuit Loading

To minimize loading of critical circuits, clamp the probe at the low or ground end of a component lead whenever possible.

#### NOTE

*The P6302 Current Probe measures magnetic flux around a conductor, caused by current in the*

*conductor. Keep this in mind when reading dc current in ferrous leads (such as transistor leads) that may be magnetized. This lead flux causes erroneous readings in the more sensitive current probe amplifier settings.*

### Direction of Current Flow

To display correct polarity, the probe should be clamped around a conductor with the probe arrow pointing in the direction of conventional current flow (positive to negative).

#### CAUTION

*Do not let the probe transformer core touch the base conductor being tested. The core is not insulated.*

## MAINTENANCE

### CLEANING

Dirt that accumulates on the probe head can be removed with a soft cloth dampened in a mild detergent and water solution. Abrasive cleaners should not be used.

#### CAUTION

*Avoid the use of chemical cleaning agents which might damage the plastics used in this instrument. In particular, avoid chemicals which contain benzene, toluene, xylene, acetone, or similar solvents.*

*Recommended cleaning agents are isopropyl alcohol (Isopropanol) or ethyl alcohol (Fotocol or Ethanol).*

### SERVICING

The following servicing instructions are for use by qualified personnel only. To avoid personal injury, do not perform any servicing other than that contained in operating instructions unless you are qualified to do so.

The P6302 Current Probe is designed to withstand normal operation and handling. However, if the probe fails or breaks, replacement parts are available.

### Obtaining Replacement Parts

Most electrical and mechanical parts can be obtained through your local Tektronix field office or representative. However, you should be able to obtain many of the standard electronic components from a local commercial source in your area. Before you purchase or order a part from a source other than Tektronix Inc., please check the Replaceable Electrical Parts list for the proper value, rating, tolerance, and description.

### Lubrication

Do not lubricate the gap between the stationary and movable transformer core pieces. Any lubricant between the core pieces should be removed with a recommended cleaning agent.

**Slide Switch**

This switch is lubricated before leaving the factory. Should the switch become noisy, clean and lubricate with switch cleaning lubricant.

**NOTE**

*Don't let the metal ball, in the top of the slide assembly, fall out. The ball may be easily lost.*

**Movable Plastic Parts**

Should the plastic slide assembly require lubrication, apply silicone-based grease sparingly to the plastic.

**Probe Disassembly Procedure (see Fig. 3)**

1. Move the probe slider assembly to the OPEN position.
2. Remove the two screws from the bottom of the probe body and pull the strain relief boot back on the cable.
3. While holding the probe in a horizontal position with the slide assembly up, lift the top half of the body and slide the top half off the end of the probe.

4. Remove the metal ball.
5. Lift the spring retainer and spring out of the spring holder.
6. Lay the probe on its side and remove the slide assembly. When removing the movable portion of the transformer core and the contact for the slide assembly, note the position of the contact spring. Switch contacts are not removable from the slide assembly.
7. Remove the spring holder from the bottom half of the probe body.
8. To remove the stationary transformer core, first lift out the transformer-circuit board assembly, then carefully grip the stationary transformer core and pull it out of its socket. If necessary, unsolder the cable connection to the bottom half of the probe body.

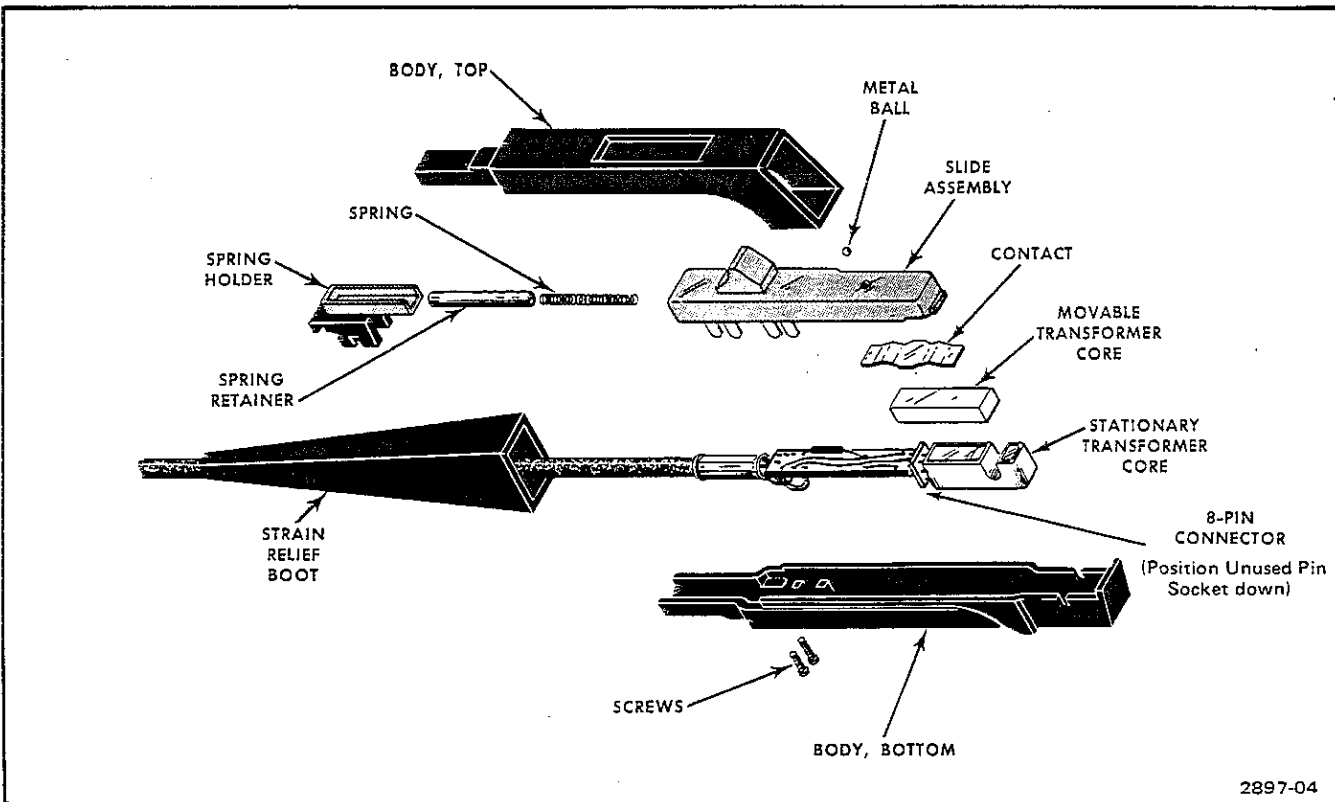


Fig. 3. Probe assembly exploded view.

DIAGRAMS AND CIRCUIT

BLOCK DIAGRAM

PROBE DIAGRAM

11

## P6302 Current Probe

### Probe Assembly Procedure (see Fig. 3)

1. If unsoldered, resolder the cable connections (2) to the bottom half of the probe body.

2. Plug the stationary transformer core into the seven-pin connector.

3. Place the circuit board and transformer core into the bottom half of the probe body and replace the spring holder.

4. Replace the contact spring and movable core in the slide assembly. Place the spring and spring retainer in the spring guide on the slide assembly.

5. With both halves of the probe body held upside down, insert the slide assembly tip into the slot at the front

of the probe body and bring the two pieces together. Be sure that the slide assembly switch contacts go on the inside (toward the center) of the stationary contacts. As the two pieces are brought together, push the spring retainer into the spring holder.

6. Hold the probe with the slide assembly up and place the metal ball into the hole in the slide assembly.

7. Replace the top half of the probe body, the strain relief boot, and the two screws.

8. The transformer assembly, when ordered, comes with an offset resistor (R18). The polarity marking (+ or -) on the tape attached to the transformer indicates which Hall Bias resistor it will be tied to (R16 is +, R17 is -).

## PERFORMANCE CHECK

### Introduction

This procedure checks the electrical characteristics that appear in the Specification section of this manual. If the instrument fails to meet the requirements given in this performance check, a maintenance procedure should be performed. This procedure can also be used by an incoming inspection facility to determine acceptability of performance.

The electrical characteristics are valid only if the current probe amplifier is calibrated at an ambient temperature of +20°C to +30°C and operated at an ambient temperature of 0°C to +50°C. Forced air circulation is required for ambient temperature above +40°C.

Tolerances that are specified in this performance check procedure apply to the instrument under test and do not include test equipment error.

### Test Equipment Required

The following test equipment, or equivalent, is required to perform the performance check. Test equipment characteristics listed are the minimum required to verify the performance of the equipment under test. Substitute equipment must meet or exceed the stated requirements. All test equipment is assumed to be operating within tolerances.

Special test devices are used where necessary to facilitate the procedure. Most of these are available from Tektronix, Inc. and can be ordered through your local Tektronix Field Office or representative.



Table 4  
TEST EQUIPMENT REQUIRED

Description	Minimum Specification	Usage	Examples
1. Test Oscilloscope	Bandwidth, to 150 MHz; vertical deflection, 5 mV/Div; time/div, 2 ms.	All measurements	TEKTRONIX 7704 with 7A16A Amplifier and 7B80 Time Base.
2. Calibration Generator	Fast rise output: period 0.1 ms; duty cycle, approx. 50%; amplitude, 200 mV p-p, into 50 ohms.	Risetime measurement.	TEKTRONIX PG 506 <sup>a</sup> Pulse Generator.
3. Constant Amplitude Sine Wave Generator	Frequency range, to at least 50 MHz with 50 kHz reference frequency; amplitude range, to 4 V p-p; impedance, 50 $\Omega$ ; amplitude accuracy (50 kHz reference), within 3% of indicated amplitude on 5 V range, into 1% termination; flatness, output amplitude does not vary more than 3% from actual amplitude of 50 kHz reference, to 50 MHz.	Bandwidth checks.	TEKTRONIX SG 503 <sup>a</sup> Levelled Sine Wave Generator.
4. Current Probe Amplifier	Bandwidth, 100 MHz; current/div accuracy, within 3%.	All measurements.	TEKTRONIX AM 503 <sup>a</sup> current probe amplifier.
5. Cable	Impedance, 50 $\Omega$ ; length, 42 inches; connectors, bnc.	Amplifier output to test oscilloscope.	Tektronix Part No. 012-0057-01.
6. Termination	Impedance, 50 $\Omega$ ; connector, bnc.	Amplifier output to test oscilloscope.	Tektronix Part No. 011-0049-01.
7. 10X Attenuator (2 required)	Attenuation accuracy, $\pm 2\%$ .	Noise check.	Tektronix Part No. 011-0059-02.
8. Calibration Fixture (Current Loop)	Impedance, 50 $\Omega$ .	Bandwidth, rise-time, aberrations.	Tektronix Part No. 067-0559-00.

<sup>a</sup> Requires TM 500-Series Power Module.

### Preliminary Procedure

1. Ensure that all power switches are off.
2. Ensure that all test equipment and the power module into which the current probe amplifier will be installed are suitably adapted to the line voltage to be applied.
3. Install the current probe amplifier into the power module and connect the P6302 current probe. Install all other applicable TM 500-Series test equipment into the power module.

4. Connect the power module(s) and test equipment to a suitable line voltage source. Turn all equipment on and allow at least 20 minutes for the equipment to warm up and stabilize.

### NOTE

All steps in the Performance Check require the following setup. (See Fig. 4.) With each of the more complex steps, an equipment setup illustration is provided. Titles for front panel controls and connectors are initial capitals in this procedure (e.g., Current/Div, Balance, etc.).

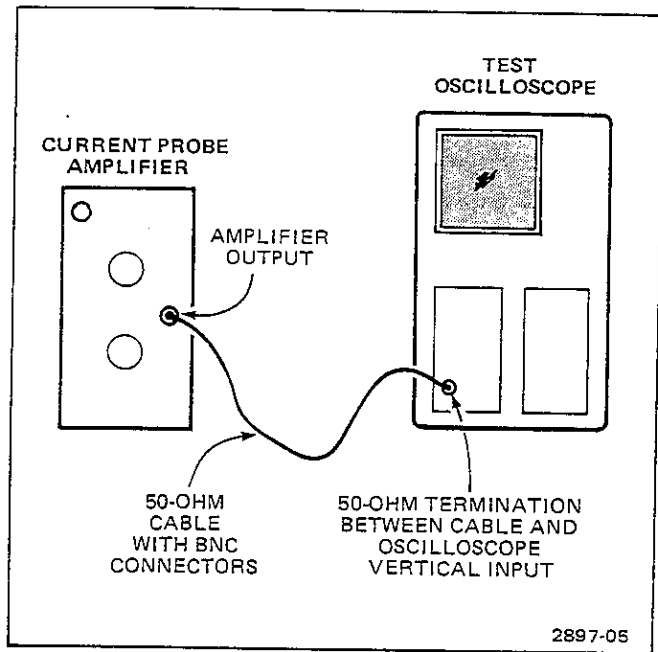


Fig. 4. Setup for preliminary procedure.

5. Set test oscilloscope vertical sensitivity for 10 mV/div.
6. With the test oscilloscope input coupling switch at ground, position the trace vertically to graticule center. Switch input coupling to dc.
7. Set the current probe amplifier function to adjust the dc level for zero output (trace centered on the test oscilloscope graticule).

8. Set amplifier sensitivity for 1 mA/div.
9. Momentarily apply degaussing voltage to the probe.
10. Set current probe amplifier coupling to dc.
11. Set dc balance for zero output (trace centered on test oscilloscope graticule).

**Risetime Check**

See Fig. 5 for test setup.

Set Controls:

**Current Probe Amplifier**

Bandwidth	100 MHz
Current/Div	2 mA

**Calibration Generator**

Period	1 $\mu$ s
--------	-----------

**Test Oscilloscope**

Volts/Div	10 mV
Input Coupling	dc
Time/Div	20 ns

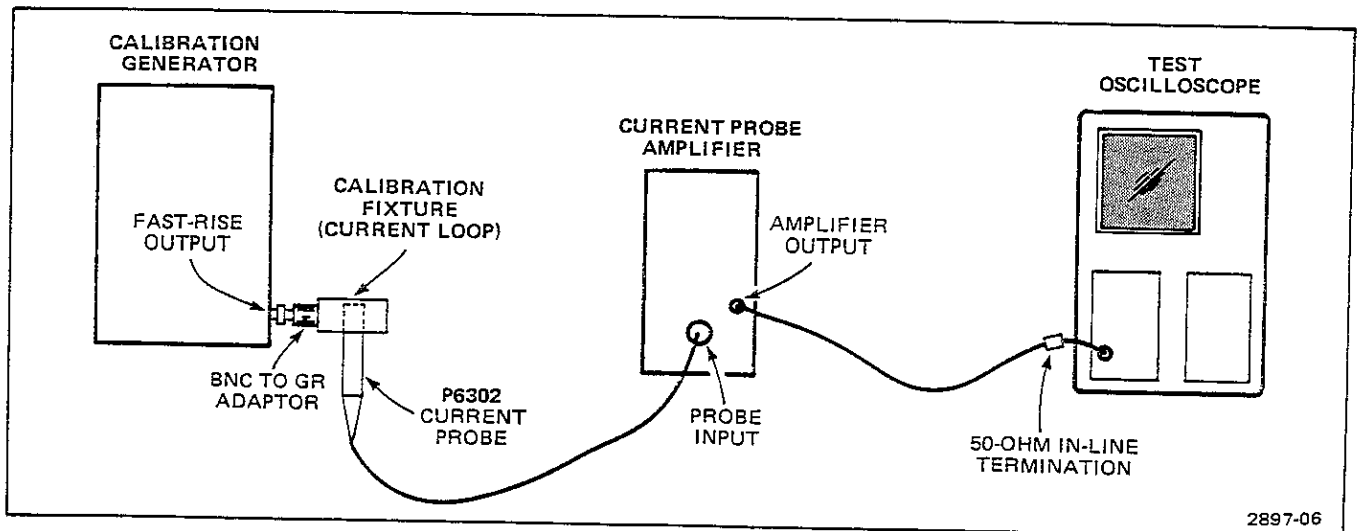


Fig. 5. Test setup for risetime check.

- a. Adjust Calibration Generator output for five-division vertical display on test oscilloscope.
- b. Switch test oscilloscope Time/Div to 2 ns.
- c. Measure risetime between 10 and 90% amplitude points.
- d. CHECK—for 7 ns, maximum risetime.

Set Controls:

**Current Probe Amplifier**

Bandwidth 100 MHz  
 Current/Div 5 mA

- a. Set Calibration Generator for 2 volt p-p output.
- b. Adjust test oscilloscope vertical sensitivity for a six-division display (uncalibrated).
- c. CHECK—display flat within 3% on test oscilloscope.

**Aberrations Check**

See Fig. 6 for test setup.

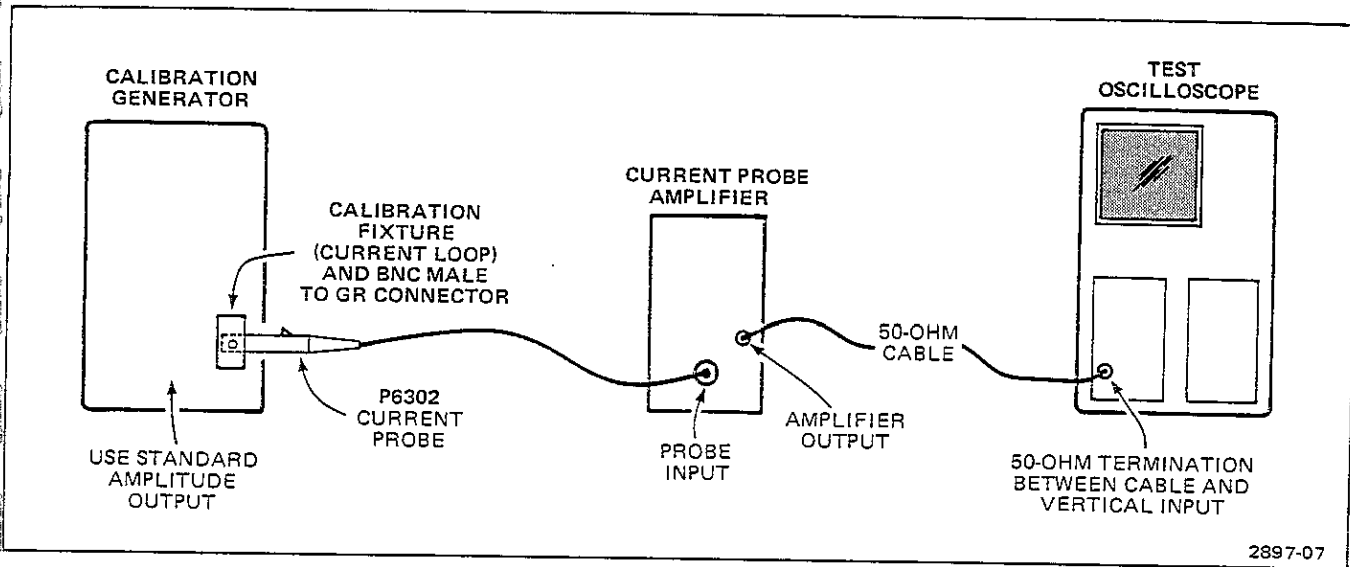


Fig. 6. Test setup for aberrations check.

**Noise Check**

See Fig. 7 for test setup.

Set Controls:

**Current Probe Amplifier**

Current/Div            1 mA  
 Bandwidth            5 MHz

**Test Oscilloscope**

Time/Div            100  $\mu$ s  
 Volts/Div            10 mV

**Calibration Generator**

Frequency            1 kHz  
 Function            Square wave

a. Adjust Calibration Generator Amplitude until two free-running traces just merge (no dark area between traces). See Fig. 8.

b. Remove one 10X attenuator.

c. Measure the display amplitude on the test oscilloscope. Divide display amplitude by 10.

Example: two divisions of display at 10 mV/Div = 20 mV (equivalent to 2 mA), divided by 10 = 0.2 mA of noise, measured tangentially.

d. CHECK—for 0.3 mA maximum noise, measured tangentially.

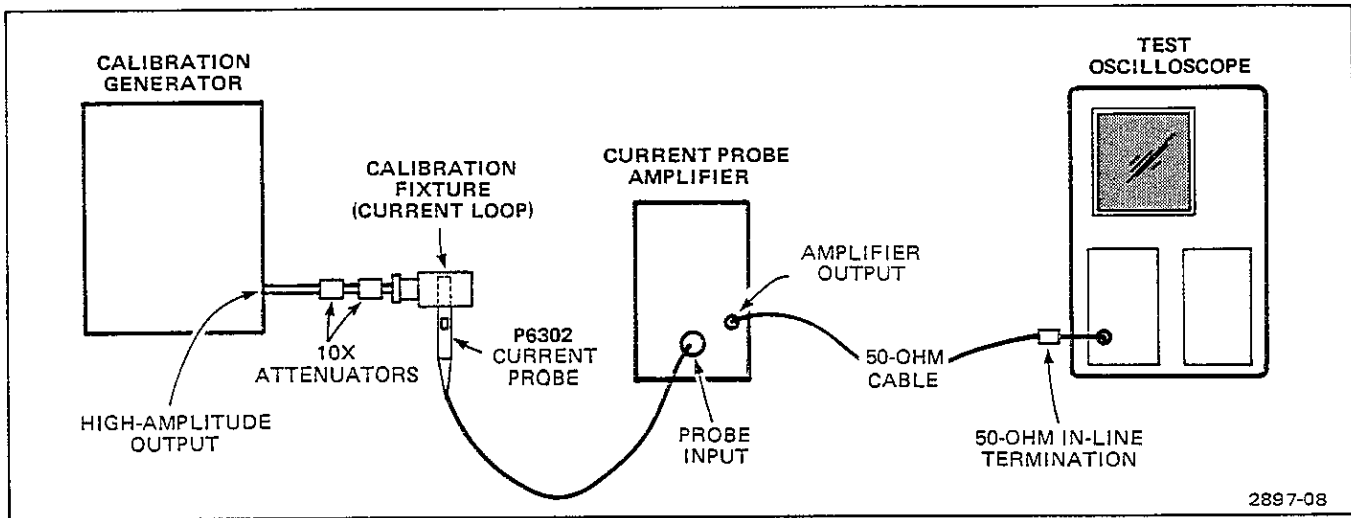


Fig. 7. Test setup for noise check.

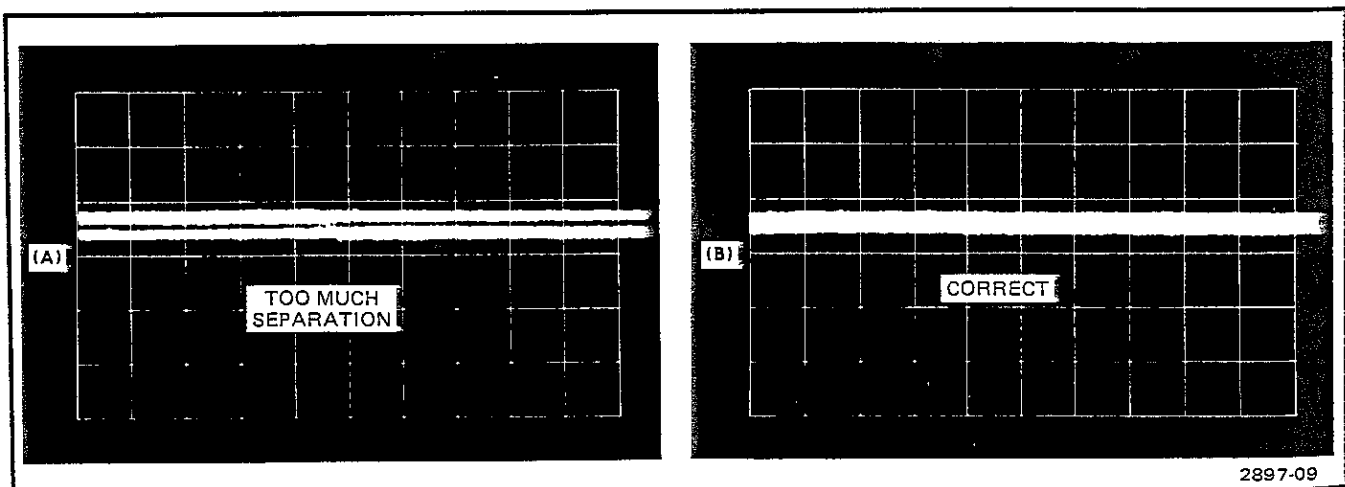


Fig. 8. Display of tangentially-measured noise (A) incorrect; dark area showing between traces. (B) correct display.

**Bandwidth Check**

See Fig. 9 for test setup.

Set Controls:

**Current Probe Amplifier**

Bandwidth                    100 MHz  
 Current/Div                 5 mA

**Test Oscilloscope**

Volts/Div                    10 mV

**Sine Wave Generator**

Frequency                    50 kHz reference

a. Set Constant Amplitude Sine-Wave Generator amplitude for six-division display on test oscilloscope.

b. Increase Constant Amplitude Sine-Wave Generator frequency until test oscilloscope vertical display amplitude decreases to 4.2 divisions.

c. CHECK—that Constant Amplitude Sine-Wave Generator frequency is 50 MHz or greater.

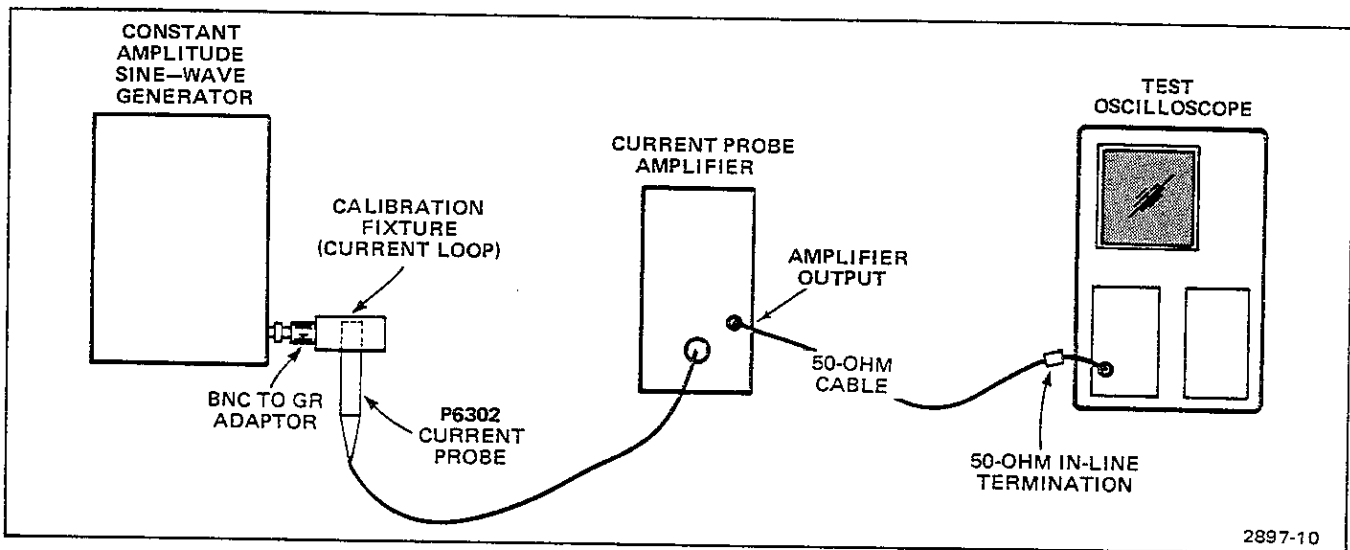


Fig. 9. Test setup for bandwidth check.

# REPLACEABLE PARTS

## PARTS ORDERING INFORMATION

Replacement parts are available from or through your local Tektronix, Inc. Field Office or representative.

Changes to Tektronix instruments are sometimes made to accommodate improved components as they become available, and to give you the benefit of the latest circuit improvements developed in our engineering department. It is therefore important, when ordering parts, to include the following information in your order: Part number, instrument type or number, serial number, and modification number if applicable.

If a part you have ordered has been replaced with a new or improved part, your local Tektronix, Inc. Field Office or representative will contact you concerning any change in part number.

Change information, if any, is located at the rear of this manual.

## SPECIAL NOTES AND SYMBOLS

X000 Part first added at this serial number  
00X Part removed after this serial number

### ITEM NAME

In the Parts List, an Item Name is separated from the description by a colon (:). Because of space limitations, an Item Name may sometimes appear as incomplete. For further Item Name identification, the U.S. Federal Cataloging Handbook H6-1 can be utilized where possible.

## ABBREVIATIONS

ACTR	ACTUATOR	PLSTC	PLASTIC
ASSY	ASSEMBLY	QTZ	QUARTZ
CAP	CAPACITOR	RECP	RECEPTACLE
CER	CERAMIC	RES	RESISTOR
CKT	CIRCUIT	RF	RADIO FREQUENCY
COMP	COMPOSITION	SEL	SELECTED
CONN	CONNECTOR	SEMICOND	SEMICONDUCTOR
ELECTLT	ELECTROLYTIC	SENS	SENSITIVE
ELEC	ELECTRICAL	VAR	VARIABLE
INCAND	INCANDESCENT	WW	WIREWOUND
LED	LIGHT EMITTING DIODE	XFMR	TRANSFORMER
NONWIR	NON WIREWOUND	XTAL	CRYSTAL

REPLACEABLE ELECTRICAL PARTS

Ckt No.	Tektronix Part No.	Serial/Model No.		Name & Description	Mfr Code	Mfr Part Number
		Eff	Dscont			
A1	670-4647-00			CKT BOARD ASSY:PROBE	80009	670-4647-00
LR15	108-0330-00			COIL,RF:0.4UH	80009	108-0330-00
R14	317-0101-00			RES.,FXD,CMPSN:100 OHM,5%,0.125W	01121	BB1015
R16	317-0270-00			RES.,FXD,CMPSN:27 OHM,5%,0.125W	01121	BB2705
R17	317-0220-00			RES.,FXD,CMPSN:22 OHM,5%,0.125W	01121	BB2205
R18	SELECTED					
T15	120-0741-00			XFMR,TOROID:8 TURNS	80009	120-0741-00

REPLACEABLE MECHANICAL PARTS

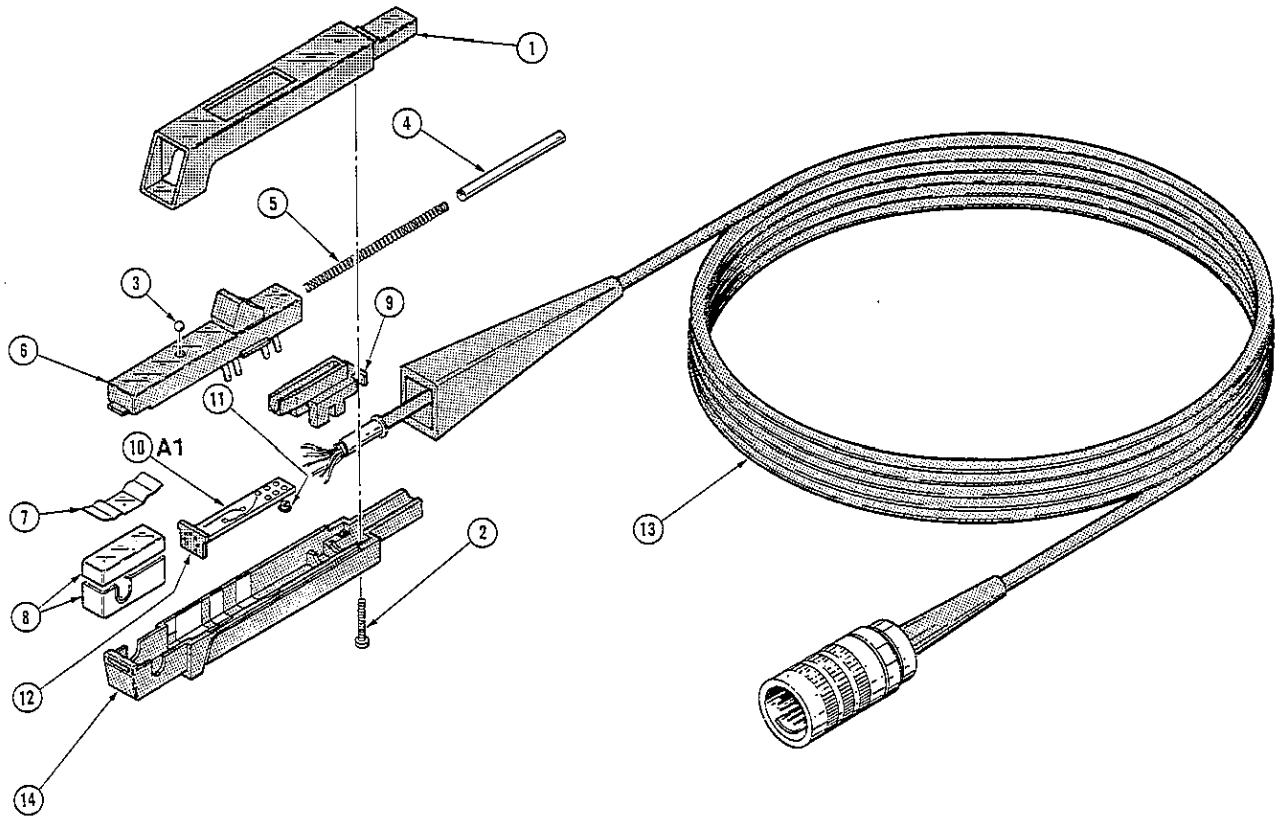
Fig. & Index No.	Tektronix Part No.	Serial/Model No.		Qty	1	2	3	4	5	Name & Description	Mfr Code	Mfr Part Number
		Eff	Dscont									
1-	010-6302-01			1						LEAD,TEST:20 AMP,2 METER L,W/ACCESS	80009	010-6302-01
	010-6302-00			1						. LEAD,TEST:20 AMP,2 METER L	80009	010-6302-00
-1	204-0288-00			1						. . BODY HALF,PROBE:TOP	80009	204-0288-00
										(ATTACHING PARTS)		
-2	213-0087-00			2						. . SCR,TPG,THD CTC:2-32 X 0.500 L,PNH STL	83385	0BD
										- - - * - - -		
-3	214-0997-00			1						. . BALL BEARING:0.094 OD,SST	27545	0BD
-4	214-0849-00			1						. . RTNR,RTN SPR:0.132 ID X 0.160 OD X 1.77 L	80009	214-0849-00
-5	214-0835-00			1						. . SPRING,HLCPS:0.12 OD X 2.625 L	80009	214-0835-00
-6	351-0121-00			1						. . CONT ASSY,ELEC:PROBE SLIDE ASSY	80009	351-0121-00
-7	214-0854-00			1						. . CONTACT,ELEC:0.340 W X 1.0L	80009	214-0854-00
-8	120-0464-02			1						. . TRANSFORMER,CUR:UPPER AND LOWER	80009	120-0464-02
-9	352-0106-00			1						. . HOLDER,SPR RTNR:BLACK,ACETAL RESIN	80009	352-0106-00
	175-1836-01			1						. . CA ASSY,SP,ELEC:W/CIRCUIT CARD	80009	175-1836-01
-10	-----			1						. . CKT BOARD ASSY:PROBE(SEE A1 EPL)		
-11	136-0252-00			1						. . SOCKET,PIN TERM:0.145 INCH LONG	00779	2-330808-7
-12	352-0287-00			7						. . . HOLDER,CKT CARD:	80009	352-0287-00
-13	175-1836-00			1						. . . CA ASSY,SP,ELEC:6.30 AWG/2.500HM COAX,P	80009	175-1836-00
-14	204-0714-00			1						. . BODY HALF,PROBE:W/CONTACTS AND GROUND,BOT	80009	204-0714-00

STANDARD ACCESSORIES

070-2897-00	1	SHEET,TECHNICAL: INSTR,P6302	80009	070-2897-00
-------------	---	------------------------------	-------	-------------

CROSS INDEX—MFR. CODE NUMBER TO MANUFACTURER

Mfr. Code	Manufacturer	Address	City, State, Zip
00779	AMP, INC.		HARRISBURG, PA 17105
01121	ALLEN-BRADLEY COMPANY	P O BOX 3608	MILWAUKEE, WI 53204
27545	HARTFORD-UNIVERSAL CO.	1201 2ND STREET SOUTH	ROCKY HILL, CT 06067
80009	TEKTRONIX, INC.	951 WEST STREET	BEAVERTON, OR 97077
83385	CENTRAL SCREW CO.	P O BOX 500	BROADVIEW, IL 60153
		2530 CRESCENT DR.	





# DIAGRAMS AND CIRCUIT BOARD ILLUSTRATIONS

## Symbols and Reference Designators

Electrical components shown on the diagrams are in the following units unless noted otherwise:

- Capacitors = Values one or greater are in picofarads (pF).  
Values less than one are in microfarads (μF).
- Resistors = Ohms (Ω).

Graphic symbols and class designation letters are based on ANSI Standard Y32.2-1975.

Logic symbology is based on ANSI Y32.14-1973 in terms of positive logic. Logic symbols depict the logic function performed and may differ from the manufacturer's data.

The overline on a signal name indicates that the signal performs its intended function when it goes to the low state.

Abbreviations are based on ANSI Y1.1-1972.

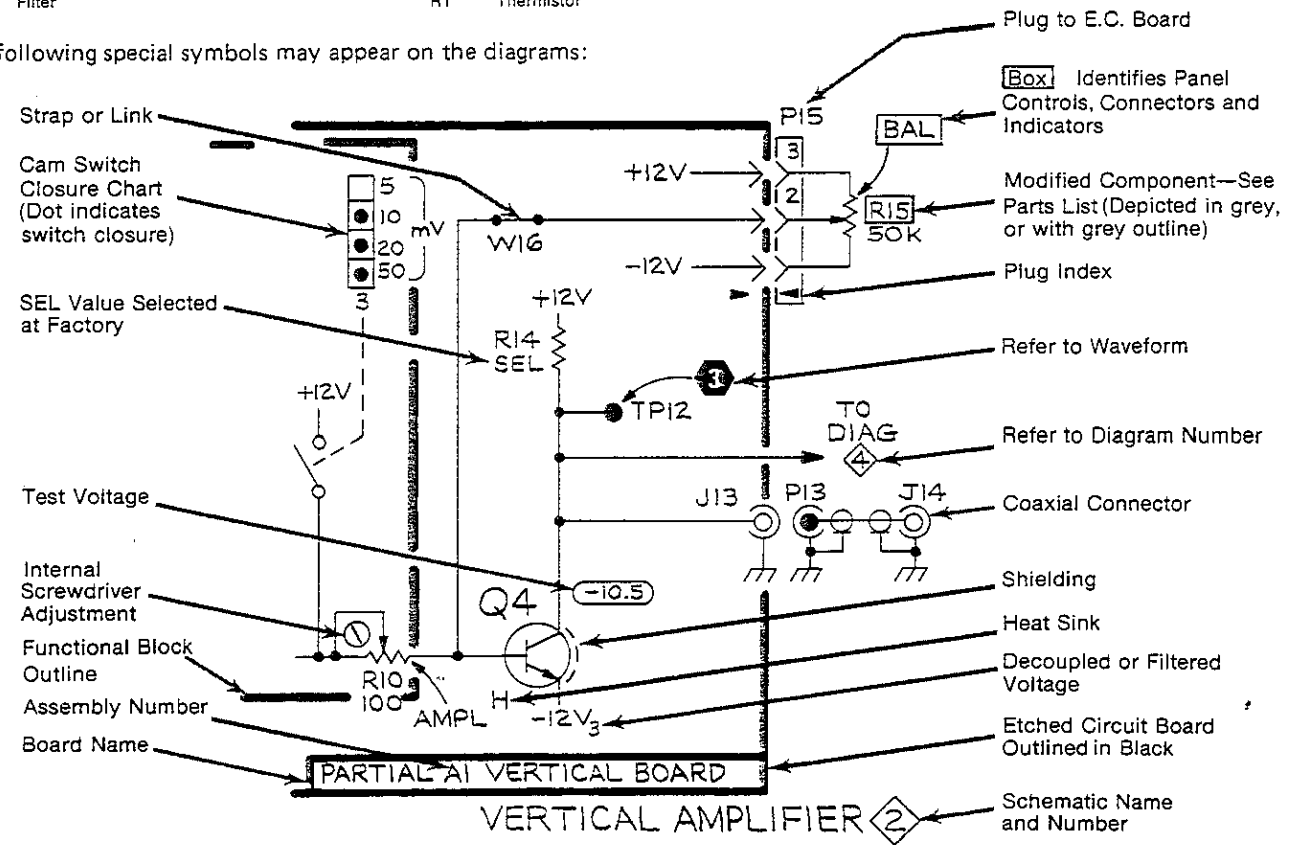
Other ANSI standards that are used in the preparation of diagrams by Tektronix, Inc. are:

- Y14.15, 1966 Drafting Practices.
- Y14.2, 1973 Line Conventions and Lettering.
- Y10.5, 1968 Letter Symbols for Quantities Used in Electrical Science and Electrical Engineering.

The following prefix letters are used as reference designators to identify components or assemblies on the diagrams.

A	Assembly, separable or repairable (circuit board, etc)	H	Heat dissipating device (heat sink, heat radiator, etc)	S	Switch or contactor
AT	Attenuator, fixed or variable	HR	Heater	T	Transformer
B	Motor	HY	Hybrid circuit	TC	Thermocouple
BT	Battery	J	Connector, stationary portion	TP	Test point
C	Capacitor, fixed or variable	K	Relay	U	Assembly, inseparable or non-repairable (integrated circuit, etc.)
CB	Circuit breaker	L	Inductor, fixed or variable	V	Electron tube
CR	Diode, signal or rectifier	M	Meter	VR	Voltage regulator (zener diode, etc.)
DL	Delay line	P	Connector, movable portion	W	Wirestrap or cable
DS	Indicating device (lamp)	Q	Transistor or silicon-controlled rectifier	Y	Crystal
E	Spark Gap, Ferrite bead	R	Resistor, fixed or variable	Z	Phase shifter
F	Fuse	RT	Thermistor		
FL	Filter				

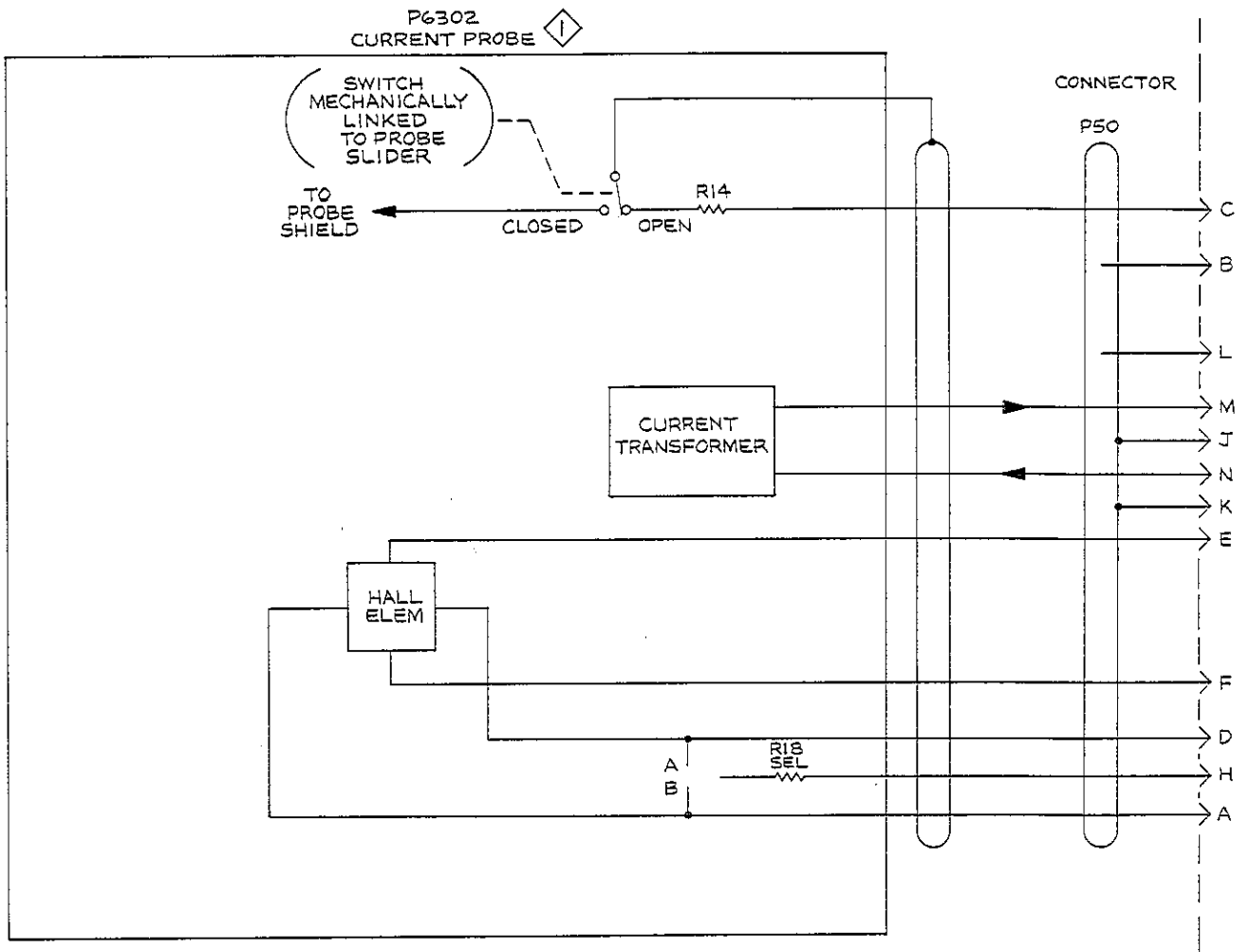
The following special symbols may appear on the diagrams:



BOARD ILLUSTRATIONS

PROBE DIAGRAM





P6302

@

BLOCK DIAGRAM

2897-11

FRONT



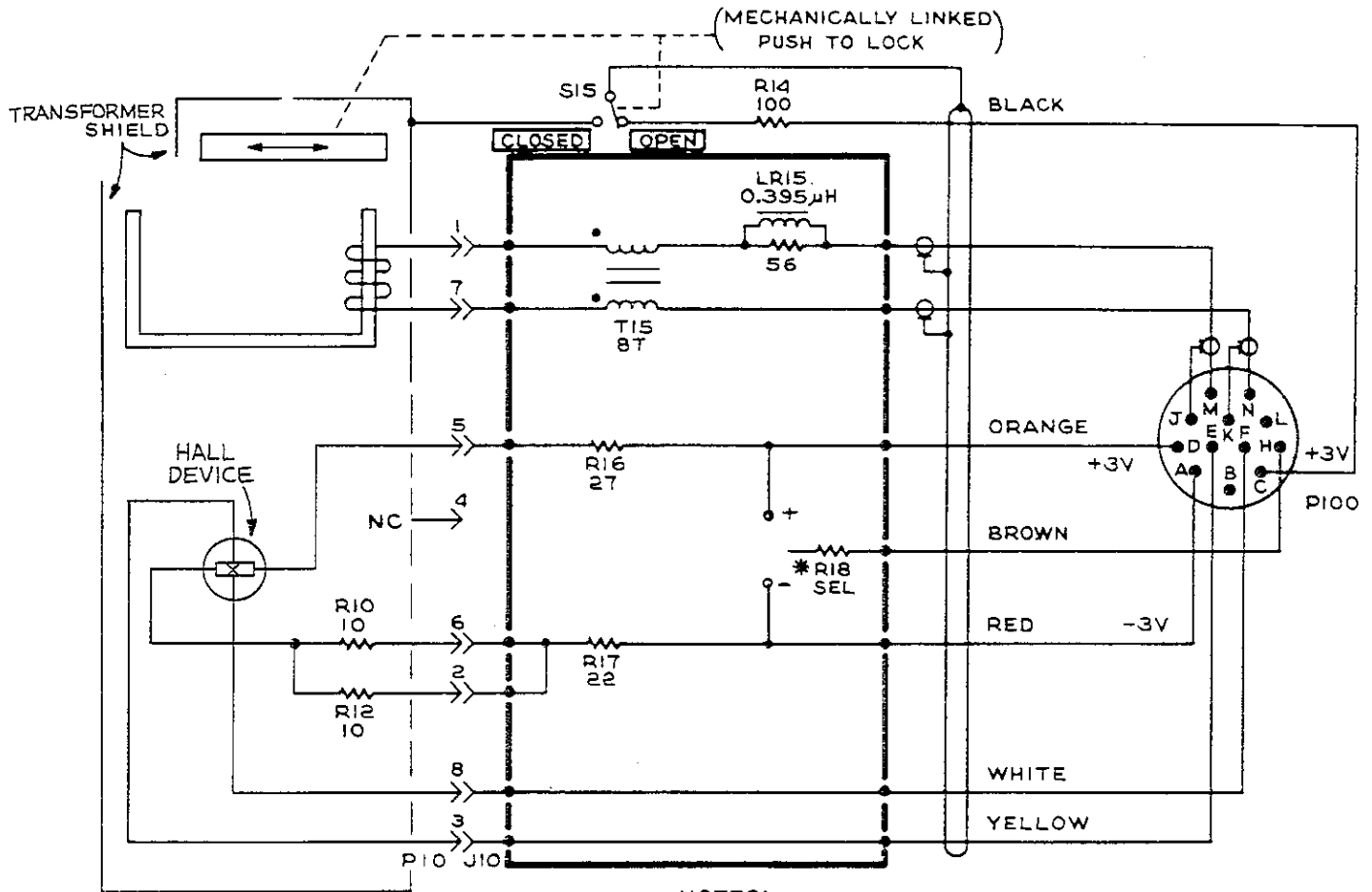
BACK



2897-12

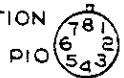
Location of components on Probe Board.

PG



**NOTES:**

1. \* R18 IS CONNECTED EITHER TO THE ORANGE OR RED LEAD.
2. PI0 IS COUNTED IN A CW DIRECTION STARTING AT THE KEY.



P6302

@  
2897-13

PROBE