

DESCRIPTION

This single package control system is intended for use in conjunction with the Miller Integrator and Delay Pickoff (M018). Logic inputs are RTL.

Functions

Trigger slope selection and pulse forming.
Sawtooth start/stop.
Holdoff and single-sweep lockout.
Bright baseline generation.

Triggering

Minimum Input (<10 MHz)	0.2 mA Peak-to-Peak
Maximum Usable Frequency	40 MHz
Triggering Delay	50 nS

The maximum usable frequency may be increased by connecting the external trigger processing.

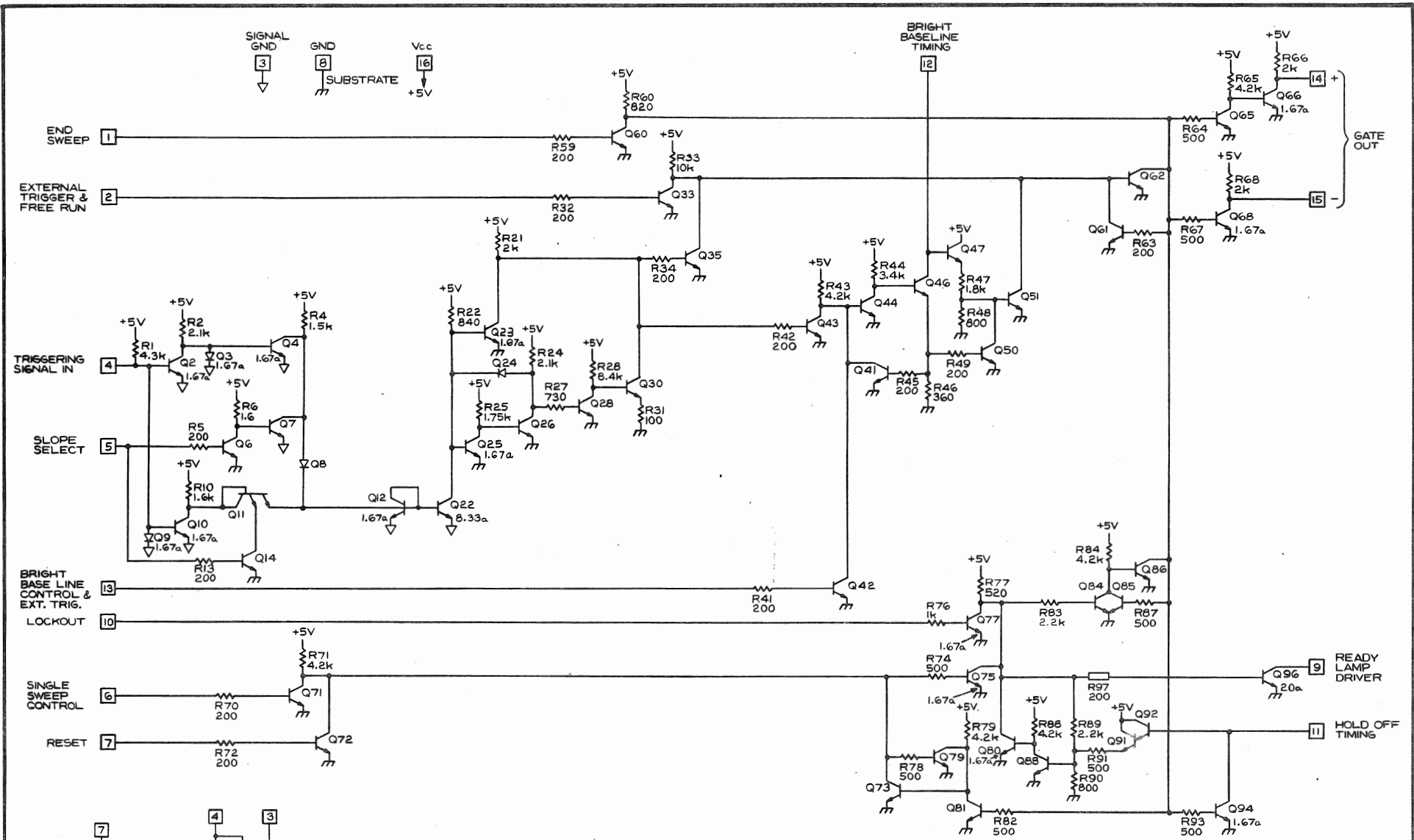
PROCESS 200 Ω /Sq

POWER SUPPLY V_{CC} +5 Volts

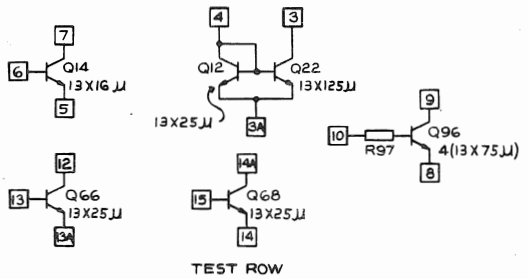
PACKAGE 16 DIP

DESIGNER Val Garuts

INSTRUMENT USAGE	26G1	26G2
	26G3	314K
	4701	5B10N
	5B12N	5S14N
	7L5	7L12
	7L13	7S14
	RG501	



NOTE:
 1. ALL TRANSISTORS ARE 1a (13 x 16μ) UNLESS OTHERWISE NOTED.
 2. - indicates CROSS-UNDER RESISTORS.



ENGR	<i>M.H. Miller</i>	6-10-76	PROCESS	200μ/a
DWN BY	J. Langley	4-13-76	PACKAGE	16 PIN DIP
CHK BY	<i>Ando-Sayer</i>	8-11-76	DIE SIZE	55mil X 50mil
TYPE	MONOLITHIC		SWEEP CONTROL	MO42E
ENGINEERING	<i>M.H. Miller</i>	6-10-77	B. GAULT	6-16-77
DATE			DATE	
			PRODUCTION	DATE
			DATE	
INTEGRATED CIRCUIT ENG/MFG				
TEKTRONIX, INC.				
BEAVERTON, OREGON, U.S.A.				
PART NO. 155-0056-00				