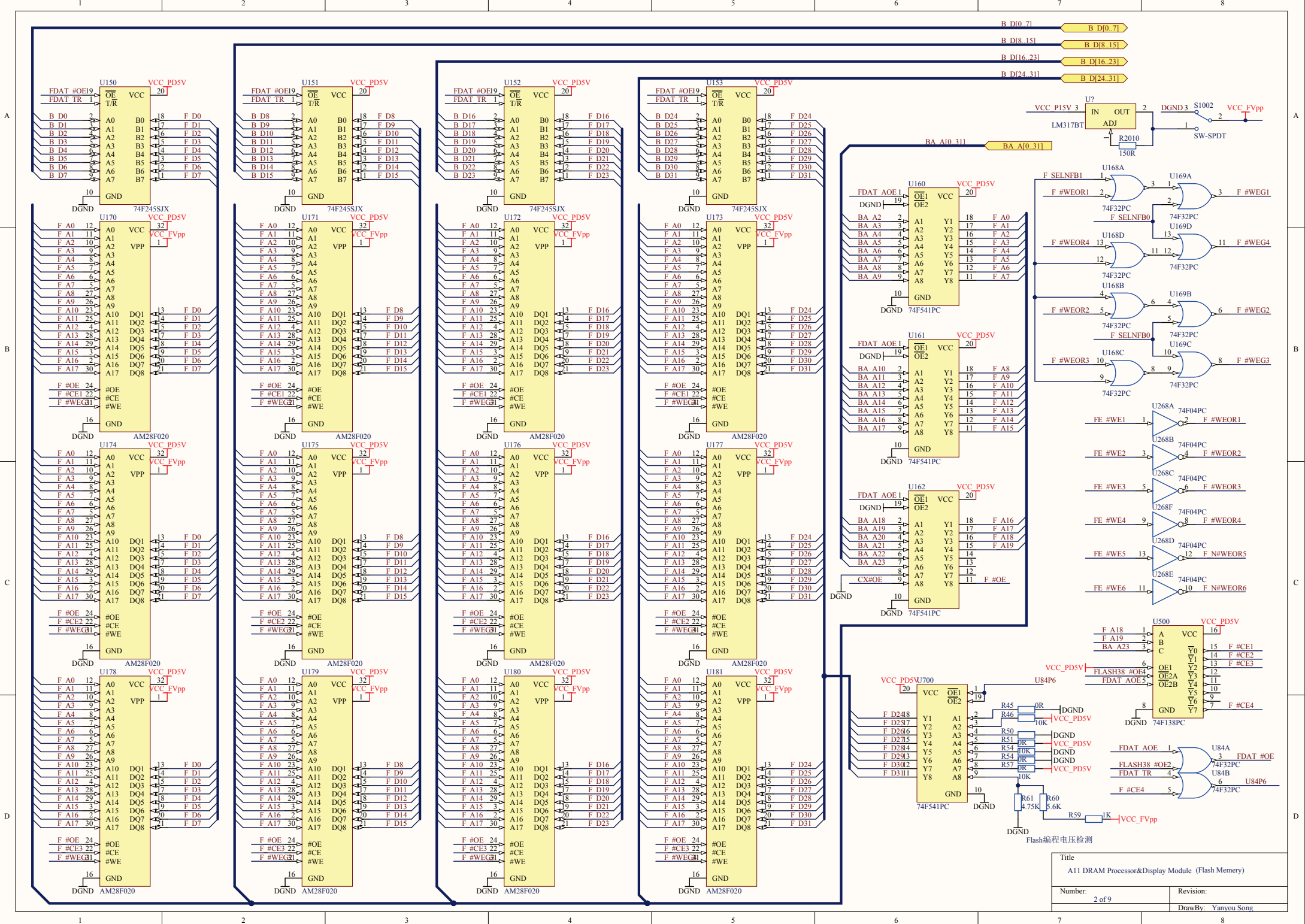
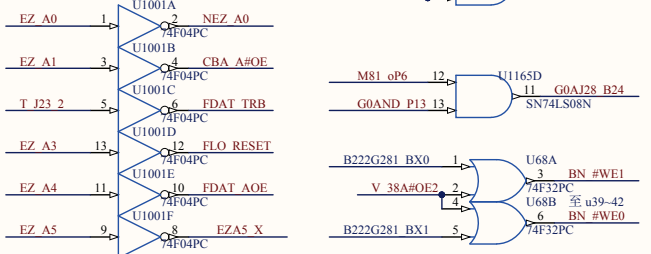
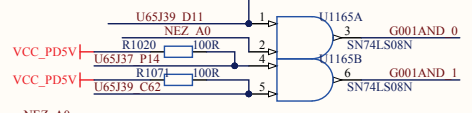
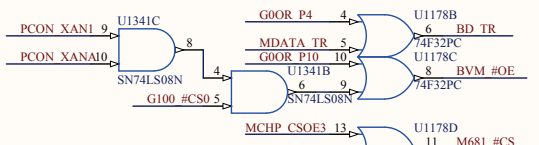
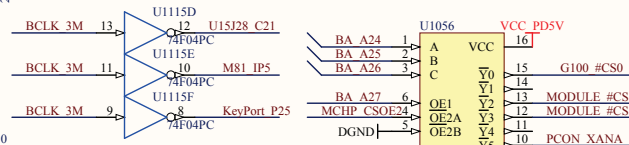
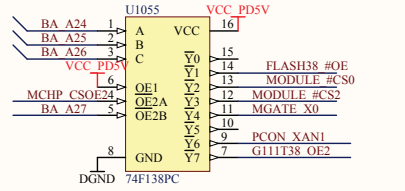
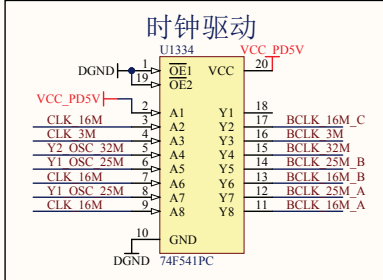
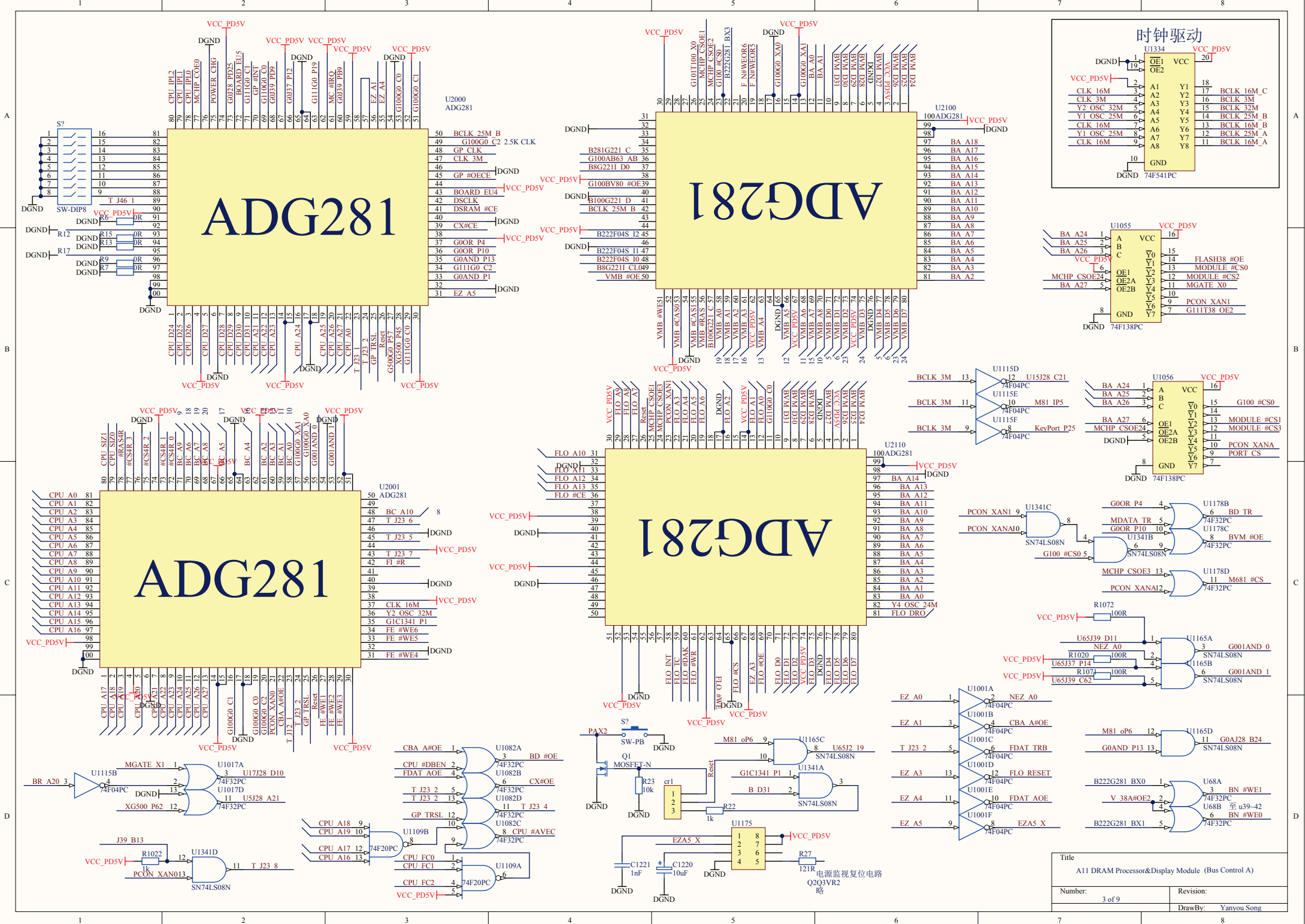
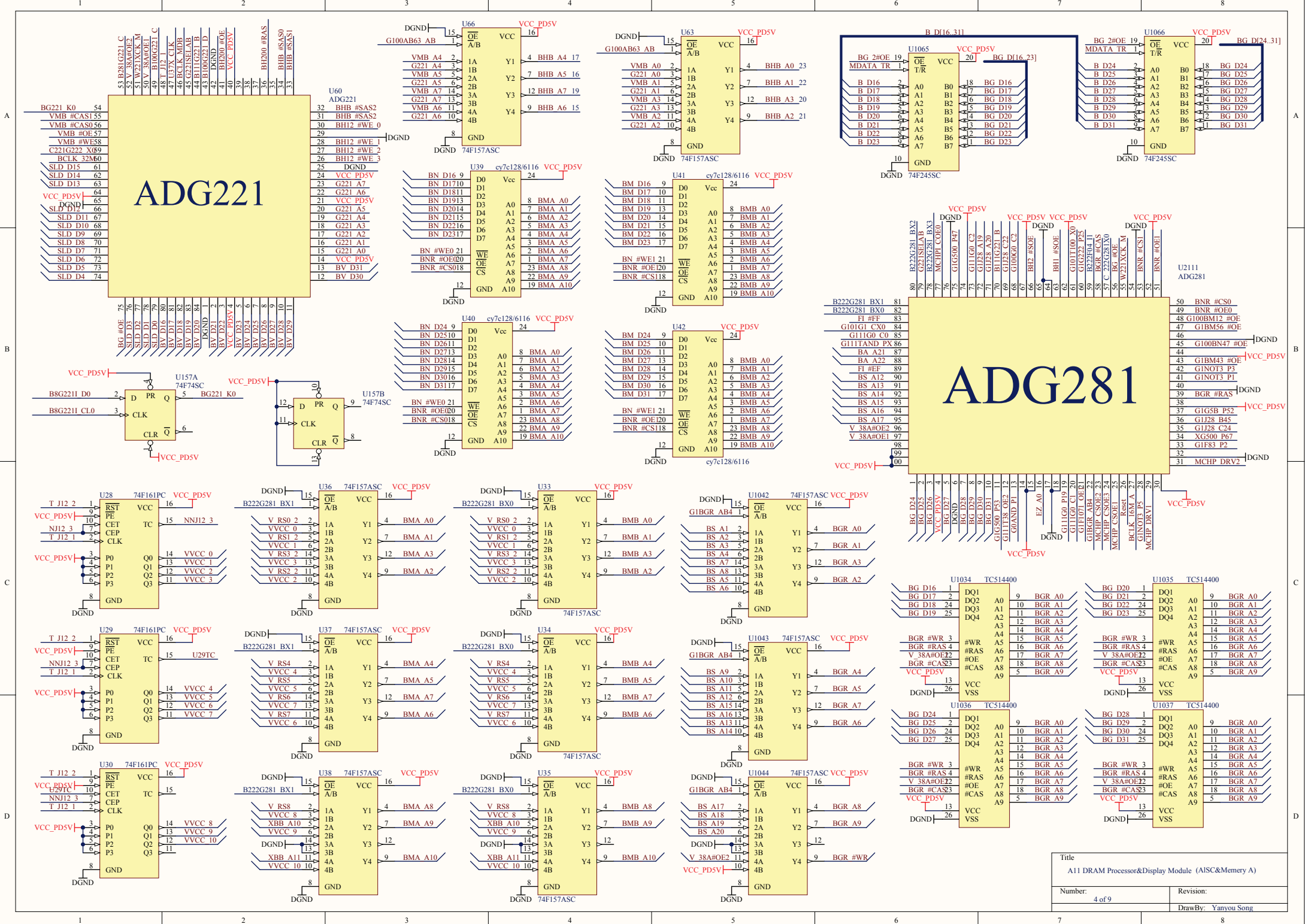


Title		A11 DRAM Processor&Display Module (Processor System)	
Number:	1 of 9	Revision:	
		DrawBy: Yanyou Song	

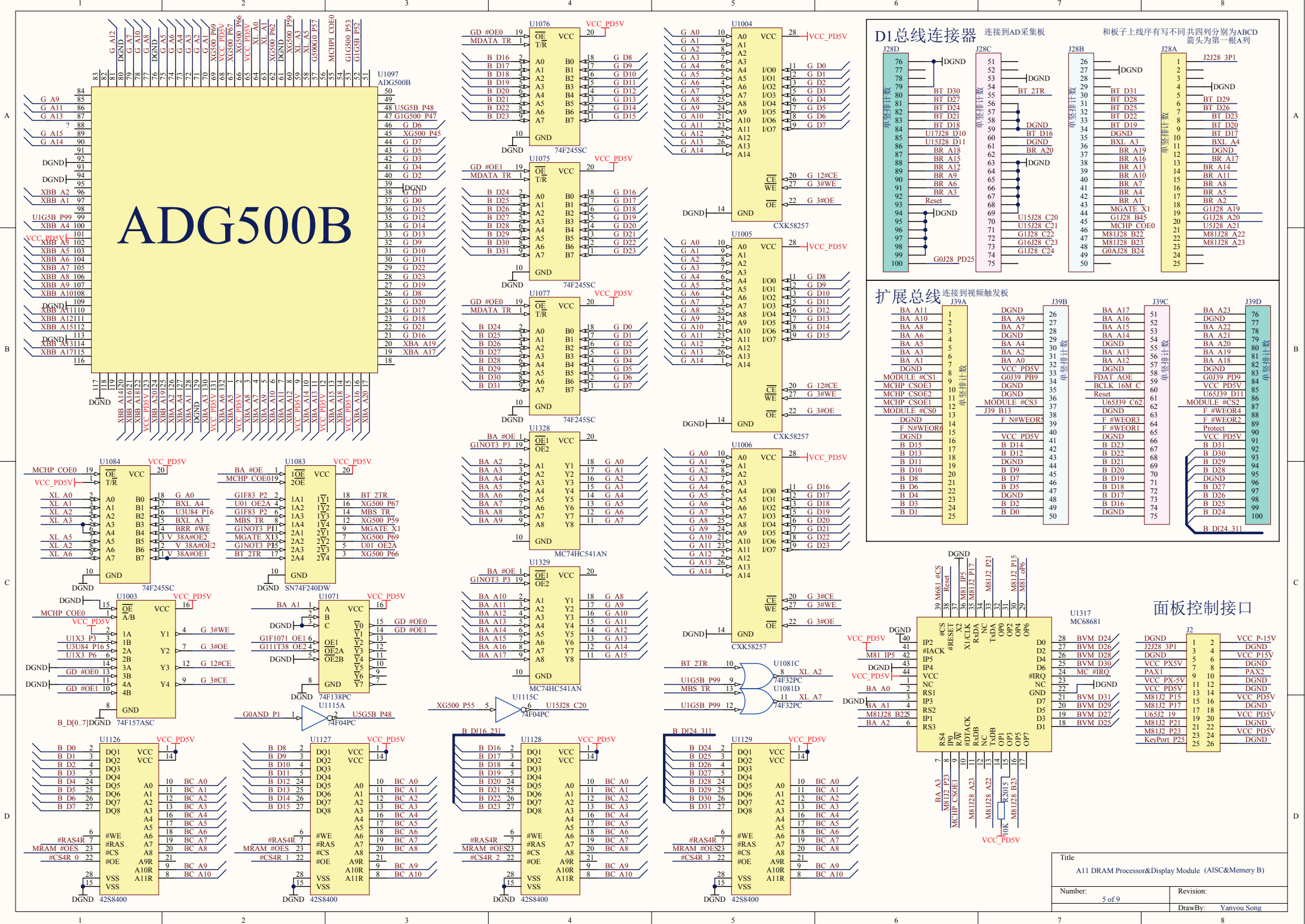




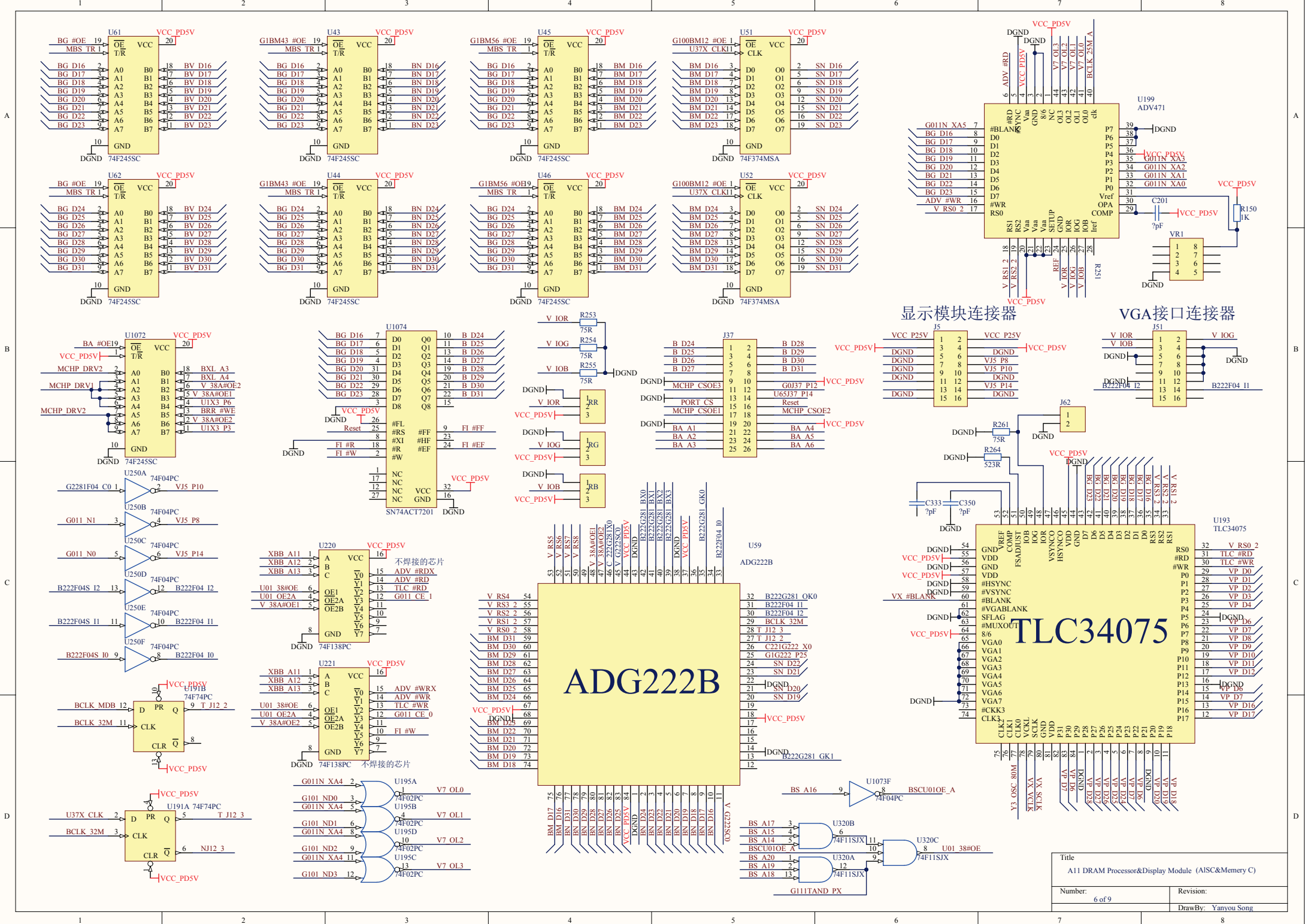
Title	
A11 DRAM Processor&Display Module (Bus Control A)	
Number:	Revision:
3 of 9	
DrawBy: Yanyou Song	



Title		
A11 DRAM Processor & Display Module (AISC & Memory A)		
Number:	4 of 9	Revision:
		DrawBy: Yanyou Song



Title			
A11 DRAM Processor&Display Module (A1S&Memory B)			
Number:	5 of 9	Revision:	
DrawBy: Yanyou Song			



Title		A11 DRAM Processor&Display Module (AISC&Memory C)	
Number:	6 of 9	Revision:	
		DrawBy: Yanyou Song	

A

B

C

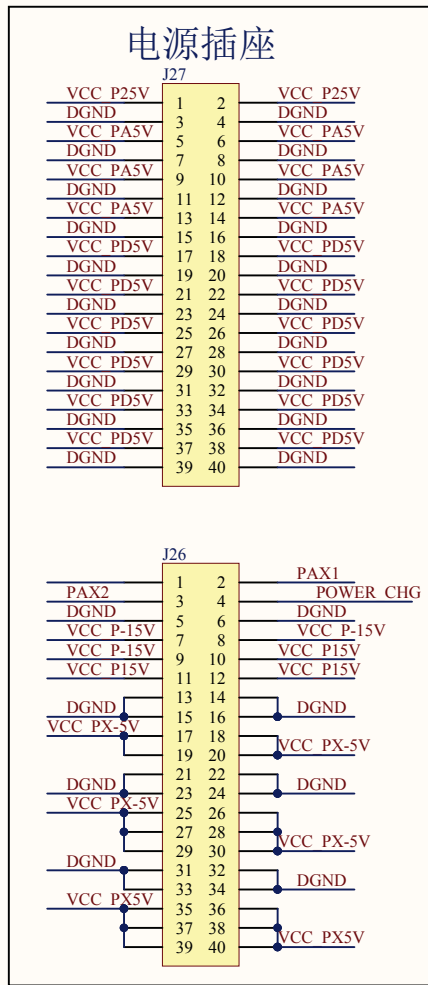
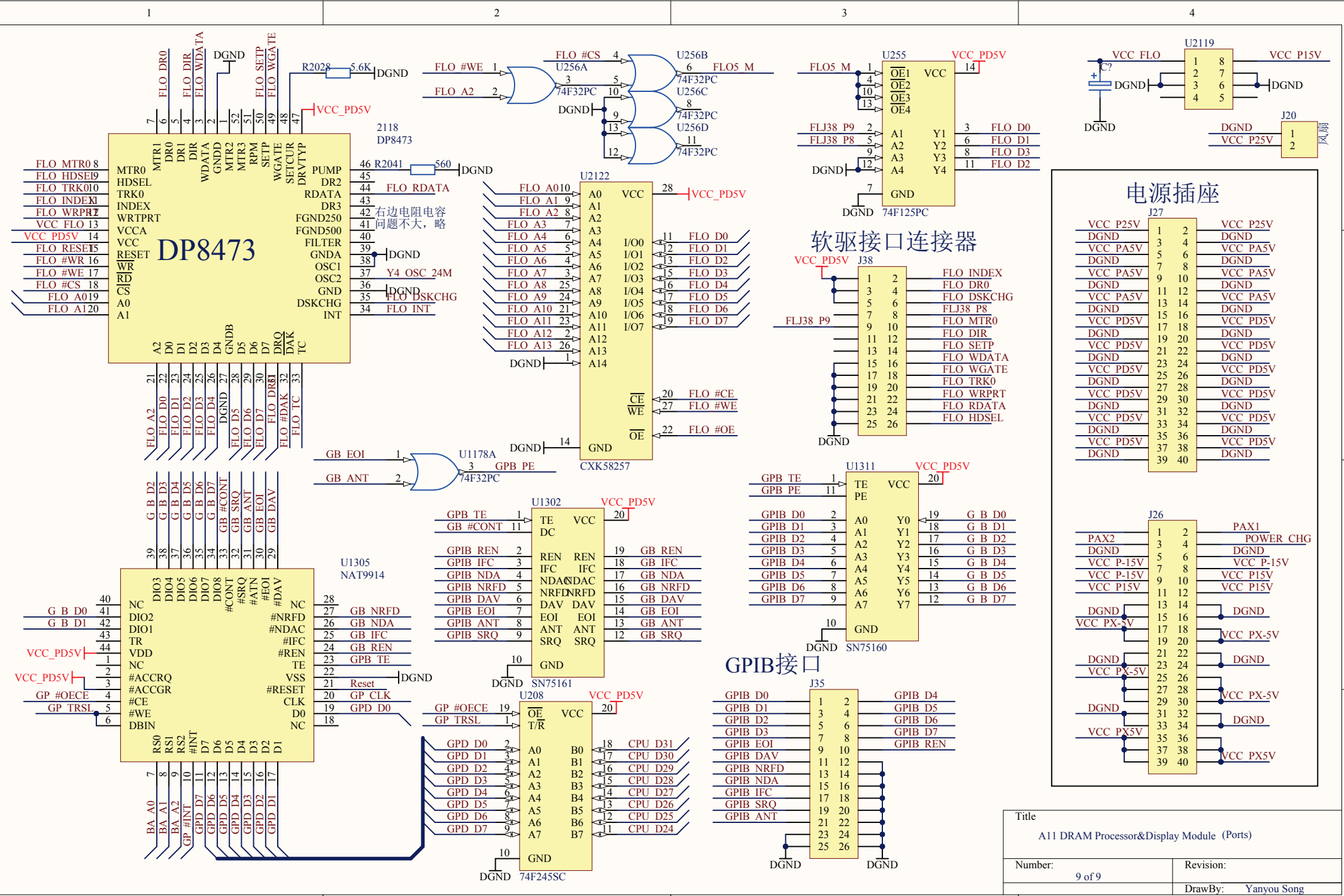
D

A

B

C

D



Title	
A11 DRAM Processor&Display Module (Ports)	
Number:	9 of 9
Revision:	
DrawBy:	Yanyou Song