

Tektronix Probe Replacement Parts and Accessories

Probe accessories for the following probes:

- **5 mm (Miniature) Probe System Accessories**
- **3.5 mm (Compact) Probe System Accessories**
- **2.5 mm (Subminiature) Probe System Accessories**

P3010	5mm Miniature
P5050	3.5mm Compact
P6048	5mm Miniature
P6053	5mm Miniature
P6053B	5mm Miniature
P6053C	3.5mm Compact
P6055	5mm Miniature
P6056	5mm Miniature
P6057	5mm Miniature
P6062B	5mm Miniature
P6063B	5mm Miniature
P612X Family	5mm Miniature
P6130	2.5mm Subminiature
P6131	2.5mm Subminiature
P6133	2.5mm Subminiature
P6133 Opt. 25	3.5mm Compact
P6134	2.5mm Subminiature
P6134C	3.5mm Compact
P6135	2.5mm Subminiature

P6135A	3.5mm Compact
P6136	2.5mm Subminiature
P6136 Opt. 25	3.5mm Compact
P6137	3.5mm Compact
P6138	3.5mm Compact
P6138A	3.5mm Compact
P6139A	3.5mm Compact
P6156	3.5mm Compact
P6158	3.5mm Compact
P61XX/A Family	5mm Miniature
P61XXB Family	5mm Miniature
P6202A + Adapter	5mm Miniature
P6203	5mm Miniature
P6204	5mm Miniature
P6205	5mm Miniature
P6206	5mm Miniature
P6230	2.5mm Subminiature
P6231	2.5mm Subminiature
P6339A	3.5mm Compact

Passive and active probe replacement parts for the following probes:

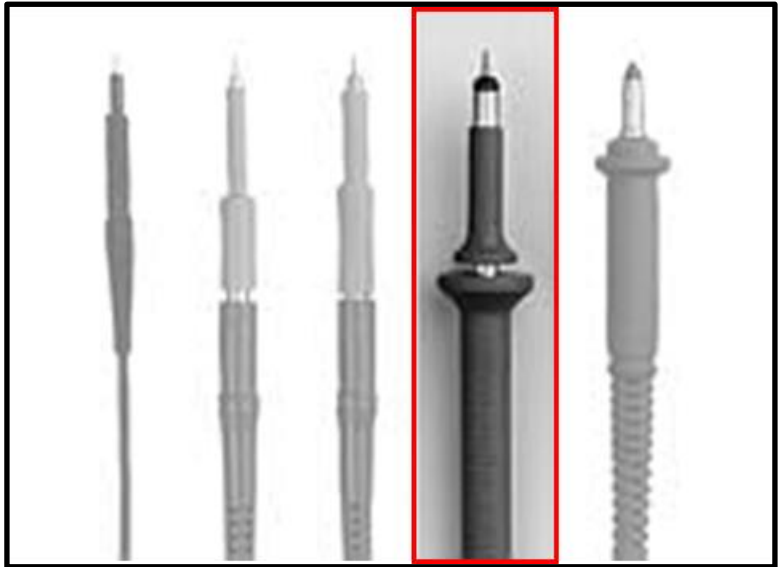
P3010
P5050
P6101B
P6105A
P6106A
P6109B
P6111B
P6112
P6113B
P6117
P6119B

P6129B
P6131
P6133
P6135A
P6136
P6137
P6138
P6138A
P6139A
P6150
P6150

P6158
P6201
P6202A
P6204
P6205
P6243
P6245
P6339A
P6561A
P6562A

5 mm (Miniature) Probe System

- P3010
- P6048
- P6053
- P6053B
- P6055
- P6056
- P6057
- P6062B
- P6063B
- P61XX/A Family
- P61XXB Family
- P612X Family
- P6202A with Adapter
- P6203
- P6204
- P6205
- P6206



Probe Accessories

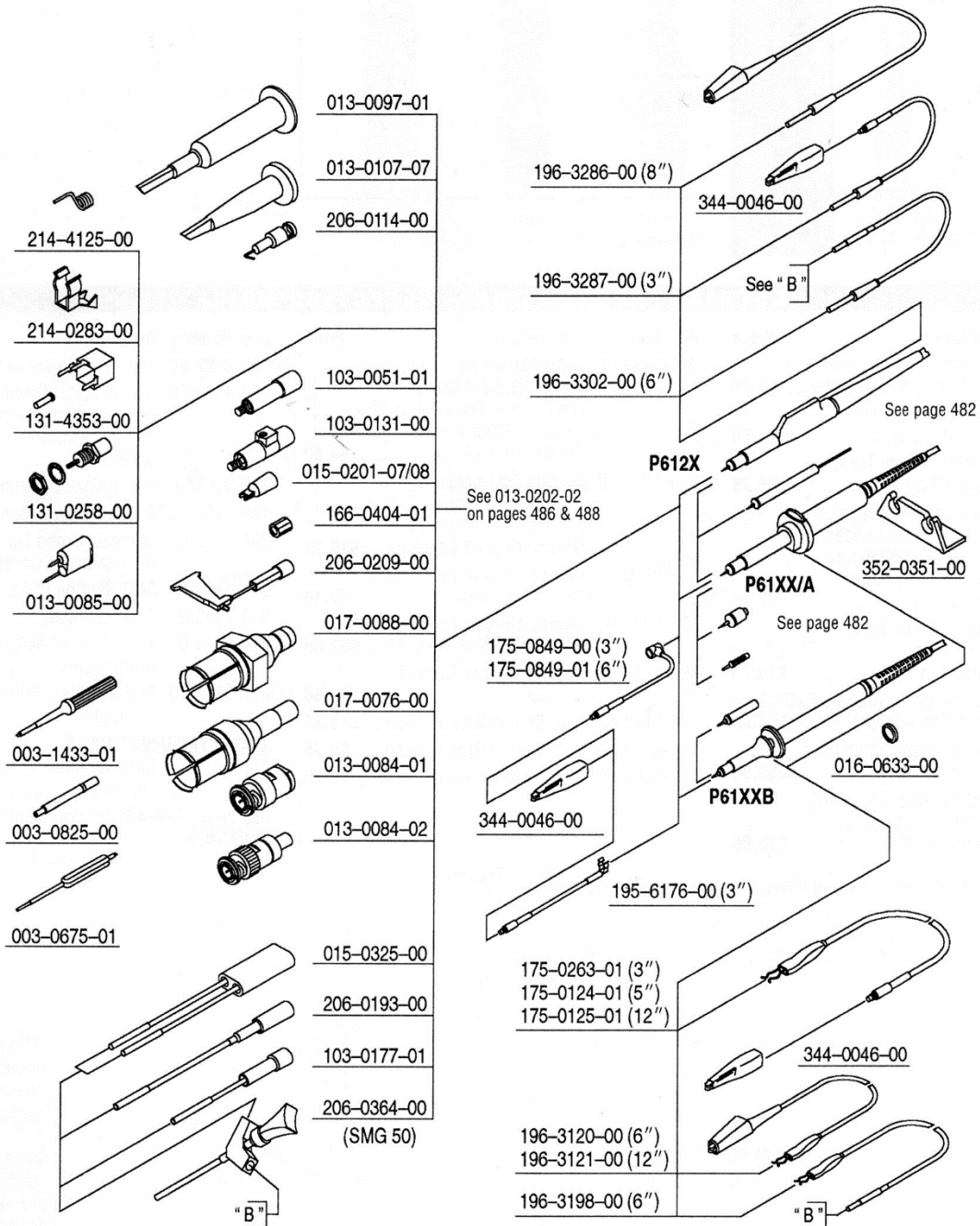
Part Number	Description
003-1433-02	Adjustment Tool.
013-0084-04	Miniature Probe Tip To BNC Adapter (Non-terminated).
013-0085-00	Bayonet Ground Assembly.
013-0097-01	Retractable Hook Tip for P6202A and P6420 (Slate Gray).
013-0107-07	Retractable Hook Tip (for All Except P6202A and P6420) (Slate Gray).
013-0107-08	Retractable Hook Tip (Black).
015-0201-07	IC Test Ground Cover, Gray (100 Mil Spacing), Package of 10.
015-0325-01	Dual Lead Adapter.
016-0633-00	Cable Marker Set for All Modular Cables (P610X/A/B, P612X, P613X/A, P623X, P62XX Except P6201, P6202A).
103-0177-01	Flexible Tip.
131-0258-00	Chassis Mount Test Jack.
131-4353-00	Circuit Board Test Point, Package of 25.
166-0404-01	Insulating Ground Cover.

Part Number	Description
175-0849-00	3 in. Probe Tip Cap Lead for All Miniature Size Probe Tips.
196-3120-01	6 in. Clip-on Ground Lead.
196-3121-01	12 in. Clip-on Ground Lead.
196-3198-01	6 in. Clip-on Ground Lead (with 0.025 in. Pin Receptacle).
196-3286-00	10 in. Ground Lead.
196-3287-00	#6-32 Thread Ground Lead.
196-3302-00	6 in. Slip-on Ground Lead (with 0.025 in. Pin Receptacle).
206-0114-00	Hook Tip.
206-0193-00	Flex Tip for 0.025 In. Square Pin.
214-4125-00	Electrical Contact Ground.
344-0046-01	#6-32 Thread Alligator Ground Clip.
352-0351-00	Probe Holder, Self-adhesive Back, Black.
	SMD Attachment Tools
206-0364-01	SMT KlipChip™ Adapter (Used with 0.025-Pin Receptacles).
SMG50	Package of 20 each SMT KlipChip Adapters.
013-0309-00	IC Grabber (2 each).

5mm (Miniature) Probe System

PROBE TIP SYSTEM

PROBE GROUND SYSTEM

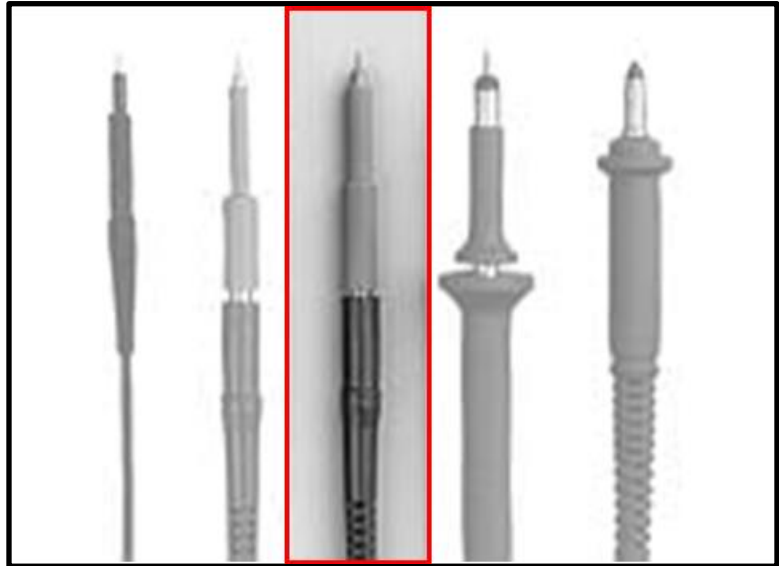


NOT TO SCALE

Probe Accessories for P6048, P6053, P6053B, P6055, P6056, P6057, P6062B, P6063B, P61XX/A Family, P612X Family, P61XXB Family, P6202A with Adapter, P6203, P6204, P6205, and P6206.

3.5 mm (Compact) Probe System

- P5050
- P6053C
- P6133 Opt. 25
- P6134C
- P6135A
- P6136 Opt. 25
- P6137
- P6138
- P6138A
- P6139A
- P6156
- P6158
- P6339A



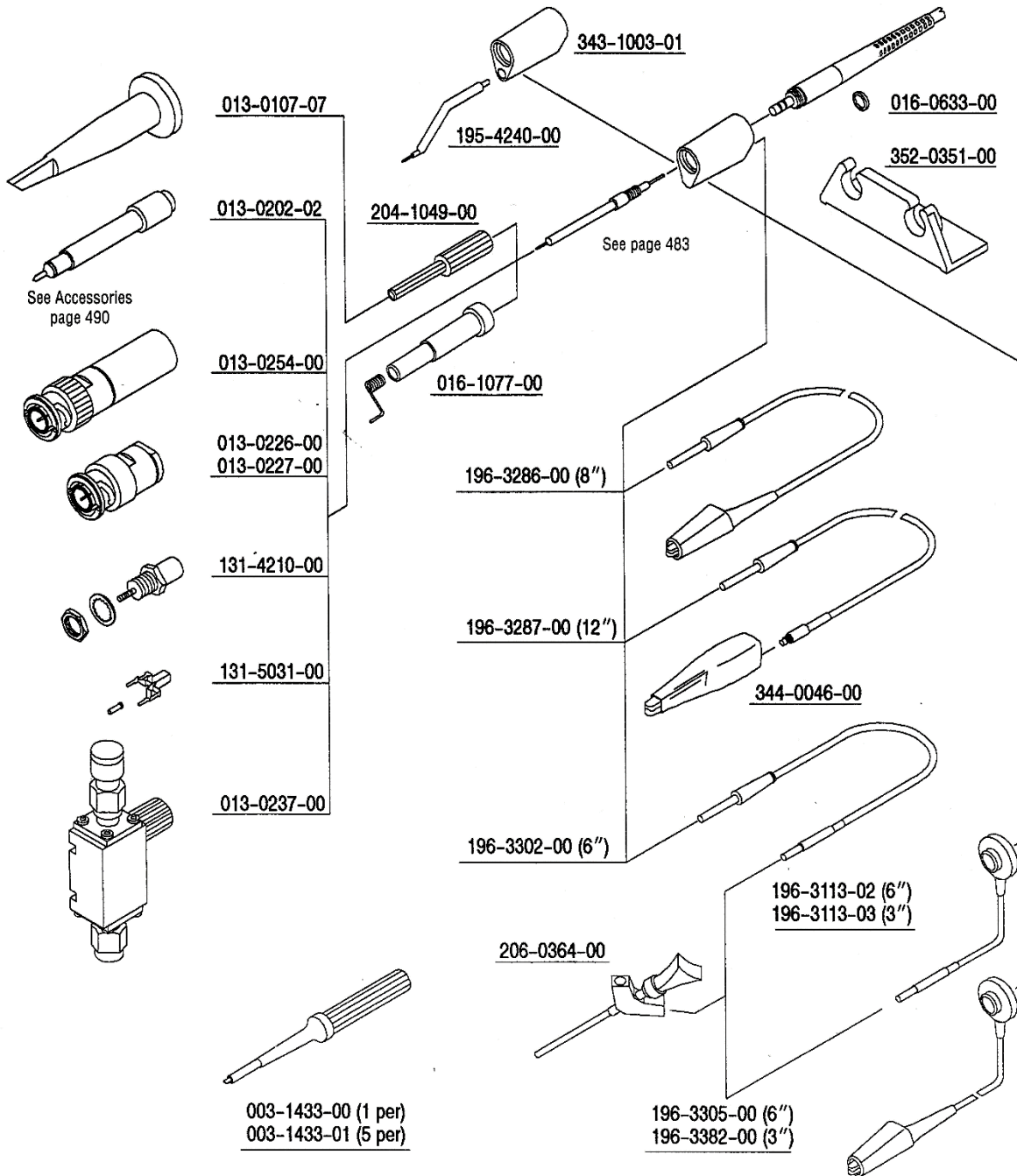
Probe Accessories

Part Number	Description
003-1433-02	Adjustment Tool.
013-0107-07	Retractable Hook Tip for Compact Tip Probes (Slate Gray).
013-0202-03	Subminiature/Compact-to-Miniature Probe to Adapter (Allows Use of Miniature Probe Tip Accessories). See 5 mm Probe Accessories.
013-0226-00	Compact Probe Tip to BNC Adapter (Non-terminated).
013-0227-00	50 Ω Compact Probe Tip to BNC Termination Adapter.
013-0254-00	Compact Probe Tip to BNC Adapter Thread Locking (Non-terminated).
016-0633-00	Cable Marker Set for All Modular Cables (P5050, P610X/A/B, P612X, P613X/A, P623X, P62XX) (Except P6201, P6202A).
016-1077-00	Ground Tip Contact for Compact Tip Probes. 2 ea. Five Different Probe Tip to Ground Contact Spacings.
131-4210-00	Compact Probe Tip Chassis Mount Test Jack.
131-5031-00	Compact Probe Tip Circuit Board Test Points (Package of 25).
195-4240-00	Low Impedance Ground Contact.
196-3113-02	6 in. Slip-on Ground Lead.
196-3113-03	3 in. Slip-on Ground Lead.
196-3286-00	10 in. Alligator Ground Lead.
196-3287-00	12 in. Slip-on Ground Lead.

Part Number	Description
196-3302-00	6 in. Alligator Ground Lead (Not Compatible With P6137, P6134C, P6053C or P6156).
196-3305-00	6 in. Alligator Ground Lead.
196-3382-00	3 in. Alligator Ground Lead.
204-1049-00	Compact Probe Tip Attenuator Tip Cover.
206-0364-01	SMT KlipChip™ Adapter.
343-1003-01	Ground Collar.
344-0046-01	#6-32 Thread Alligator Ground Clip.
352-0351-00	Probe Holder, Self-adhesive Back, Black.
SMD Attachment Tools	
SMG50	SMT KlipChip Adapter, Package of 20.
013-0309-00	IC Grabber (2 each).
SF201A	SureFoot® Probe Tip Adapter, Package of 12, Yellow, 50 mil Pitch.
SF202A	SureFoot Probe Tip Adapter, Package of 12, Blue, 25 mil/0.65 mm Pitch.
SF203A	SureFoot Probe Tip Adapter, Package of 12, Red, 0.5 mm Pitch.

3.5mm (Compact) Probe System

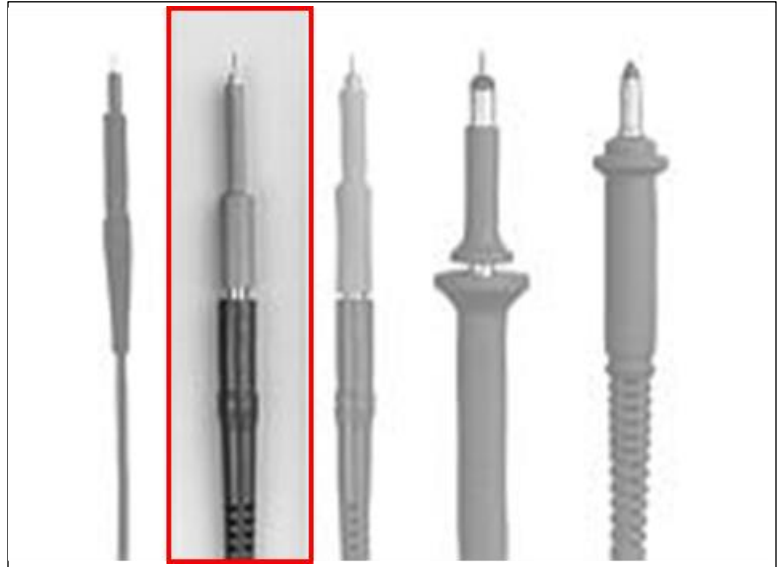
PROBE TIP SYSTEM **PROBE GROUND SYSTEM**



NOT TO SCALE

2.5 mm (Subminiature) Probe System

- P6130
- P6131
- P6133
- P6134
- P6135
- P6136
- P6230
- P6231



Probe Accessories

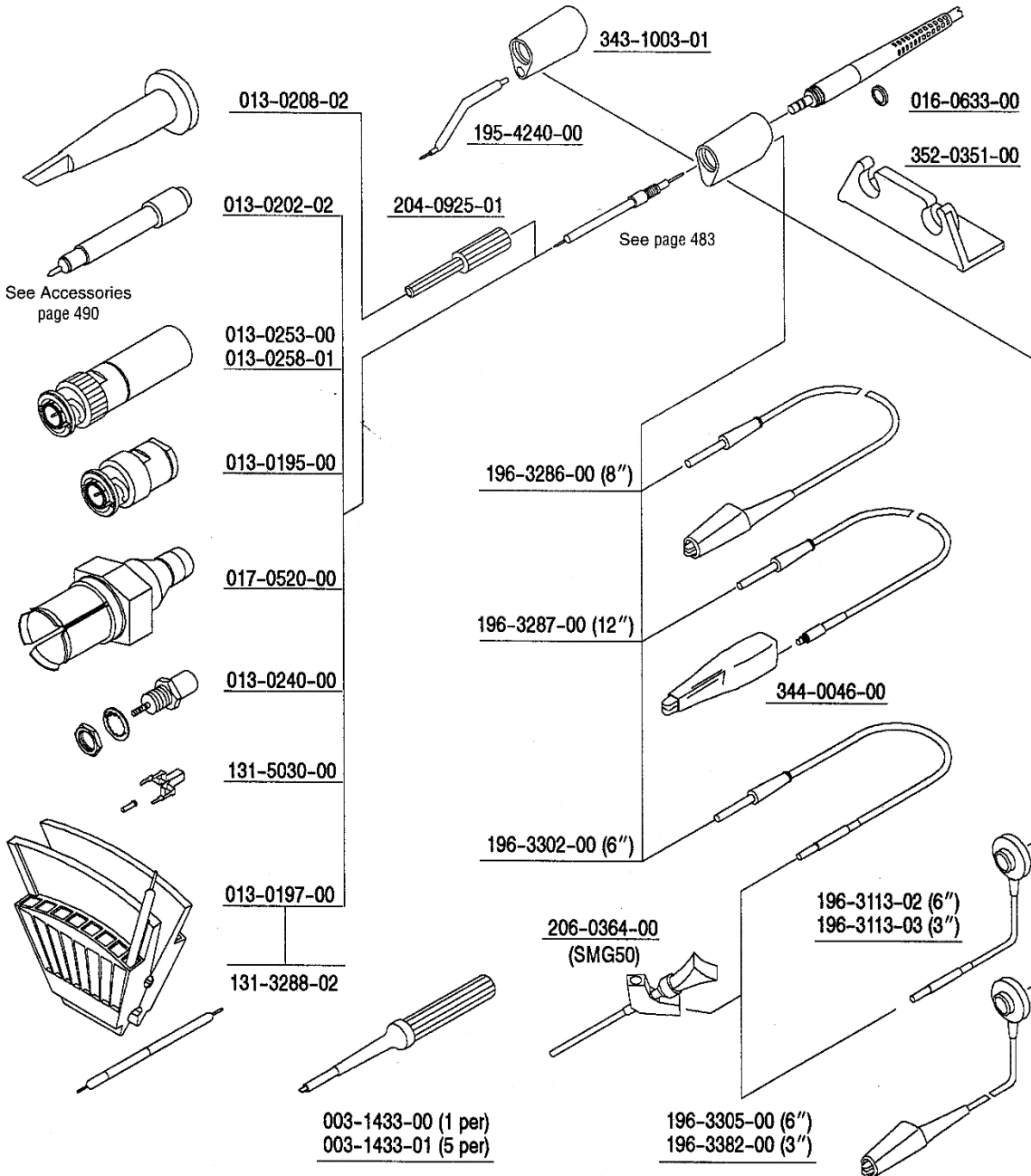
Part Number	Description
003-1433-02	Adjustment tool
013-0195-00	Subminiature probe tip to BNC adapter
013-0202-03	Subminiature/compact-to-miniature probe to adapter (allows use of miniature probe tip accessories). See 5 mm Probe Accessories
013-0208-02	Retractable hook tip for subminiature tip probes
013-0240-00	Subminiature probe tip chassis mount test jack
013-0253-00	Subminiature probe tip to BNC adapter thread locking (non-terminated)
016-0633-00	Cable marker set for all modular cables (P610X/A/B, P612X, P613X/A, P62X, (Except P6201, P6202A))
131-2766-03	Subminiature probe tip circuit board test points (package of 2)
195-4240-00	Low impedance ground contact
196-3113-02	6 in. slip-on ground lead
196-3113-03	3 in. slip-on ground lead
196-3287-00	12 in. slip-on ground lead
196-3302-00	6 in. alligator ground lead (not compatible with P6137, P6134C, P6053C or P6156)
196-3305-00	6 in. alligator ground lead
196-3382-00	3 in. alligator ground lead
204-0925-01	Subminiature probe tip attenuator tip cover
206-0364-01	SMT KlipChip™ adapter
343-1003-01	Ground collar
344-0046-01	#6-32 thread alligator ground clip
352-0351-00	Probe holder, self-adhesive back, black
352-0670-00	Tip holder (not shown)

Compiled by Dennis Tillman W7pF Apr 30, 2021, from:
tek.com/accessories/more-accessories and tek.com/accessories/oscilloscope-probes/replacement-parts

Part Number	Description
	SMD Attachment Tools
SMG50	SMT KlipChip adapter, package of 20
013-0309-00	IC Grabber (2 each)

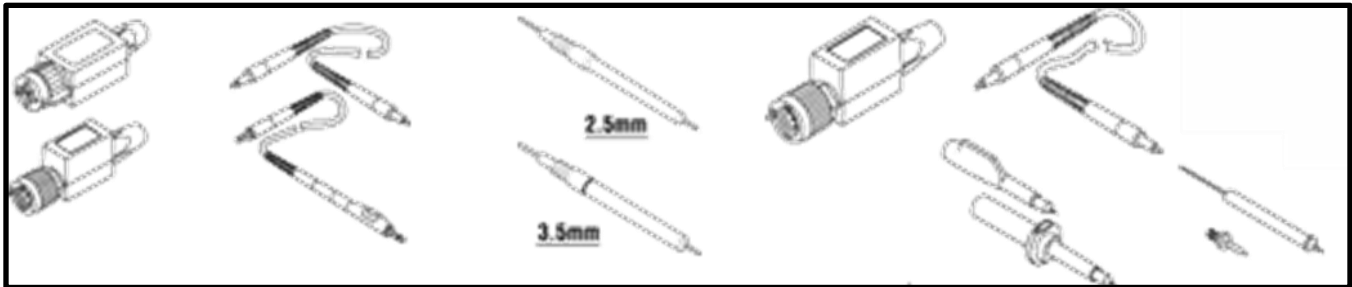
2.5mm (Subminiature) Probe System

PROBE TIP SYSTEM **PROBE GROUND SYSTEM**



NOT TO SCALE

Passive and Active Probe Replacement Parts



Probe	Length (m)	Part Number			
		Connector / Compensation Box	Probe Cable	Probe Head	Probe Tip / Hybrid Tip
P6101B	2	N/A	N/A	N/A	131-4997-01* ₂
P3010	2	N/A	N/A	N/A	131-4997-01* ₂
P6105A	1	206-0331-00	174-0975-00	206-0328-00	206-0336-01* ₅
	2	206-0334-00	174-0976-00	206-0301-00	206-0337-01* ₅
P6106A	1	206-0313-01	174-0975-00	206-0328-00	206-0336-01* ₅
	2	206-0319-01	174-0976-00	206-0301-00	206-0337-01* ₅
P6109B	2	N/A	N/A	N/A	131-4997-01* ₂
P6111B	2	N/A	N/A	N/A	131-4997-01* ₂
P6112	2	N/A	N/A	N/A	131-4997-01* ₂
P6113B	2	N/A	N/A	N/A	131-4997-01* ₂
P6117	2	N/A	N/A	N/A	131-4997-01* ₂
P6119B	2	N/A	N/A	N/A	131-4997-01* ₂
P6129B	2	N/A	N/A	N/A	131-4997-01* ₂
P6201	1.8	N/A	N/A	N/A	206-0200-00* ₃
P6202A	2	N/A	N/A	N/A	206-0230-03* ₁
P6204* ₄	1.5	N/A	N/A	206-0390-00	131-4280-00* ₃
P6205* ₄	1.5	N/A	N/A	N/A	131-4280-00* ₃
P6243* ₄	1.3	N/A	N/A	N/A	131-5638-11* ₁

P6245* ⁴	1.3	N/A	N/A	N/A	131-5638-11* ¹
P6561A	1.3	N/A	206-0417-10	N/A	131-5638-11* ¹
P6562A	1.3	N/A	206-0417-10	N/A	131-5638-11* ¹

*¹ Probe tips in package of ten.

*² Probe hybrid tip assemblies in packages of two each.

*³ Probe hybrid tip assembly in quantities of one.

*⁴ 131-3627-02 contact for readout and power (P6204, P6205, P6217, P6245, P6243, P6231, P6339A).

*⁵ Probe Hybrid Tip Assemblies in packages of five each.

Probe	Length (m)	Part Number			Probe Tip / Hybrid Tip Color
		Connector / Compensation Box	Probe Cable	Probe Tip/ Hybrid Tip	
P6131	1.3	206-0314-00	174-0973-00	206-0265-10* ²	tip-clear / tail-blue
Opt. 02	2	206-0321-00	174-0971-00	206-0265-12* ²	tip-clear / tail-yellow
P6133	2	206-0350-00	174-0971-00	206-0265-12* ²	tip-clear / tail-yellow
Opt. 01	1.3	206-0349-00	174-0973-00	206-0265-13* ²	tip-clear / tail-clear
Opt. 03	3	N/A	174-0972-00	N/A	tip-clear / tail-red
Opt. 25	1.3	206-0349-00	174-0973-00	206-0393-00* ²	tip-clear / tail-natural
P6135A (13 to 17pF)* ⁴	1.5	N/A	N/A	206-0416-00* ³	tip-red / tail-natural
P6135A (18 to 22pF)* ⁴	1.5	N/A	N/A	206-0419-00* ³	tip-black / tail-yellow
P6135A (45 to 49pF)* ⁴	1.5	N/A	N/A	206-0415-00* ³	tip-blue / tail-natural
P6136	1.3	206-0359-00	174-0978-00	206-0265-10* ²	tip-clear / tail-blue
Opt. 25	1.3	206-0359-00	174-0978-00	206-0392-00* ²	tip-gray / tail-blue
P6137	1.5	206-0389-01	174-1081-04	206-0378-00* ²	tip-black / tail-natural
P6138	1.3	N/A	174-0978-00	206-0392-00* ²	tip-gray / tail-blue
P6138A	1.3	N/A	174-0978-00	206-0392-00* ²	tip-gray / tail-blue
P6139A	1.3	206-0440-00	174-0978-00	206-0441-00* ²	tip-blue / tail-yellow
P6150* ¹ (10X)	1	N/A	174-1341-00	206-0399-03* ²	N / A

Compiled by Dennis Tillman W7pF Apr 30, 2021, from:
tek.com/accessories/more-accessories and tek.com/accessories/oscilloscope-probes/replacement-parts

P6150* ₁ (1X)	1	N/A	174-1341-00	206-0398-00* ₂	N / A
P6158	1.2	N/A	174-3889-00	206-0381-00* ₂	tip-gray / tail-black
P6339A	1.3	206-0485-00	174-0978-00	206-0441-00* ₂	tip-blue / tail-yellow
P5050	1.3	N/A	174-0978-00	206-0378-00* ₂	tip-black / tail-natural

*₁ Not pictured above.

*₂ Probe hybrid tip assembly in quantities of one.

*₃ Consists of a matched pair.

*₄ Scope Input Capacitance Range.

*₅ 131-3627-02 contact for readout and power (P6204, P6205, P6217, P6245, P6243, P6231, P6339A).