

1803 TEST STATION

PARTS LIST  
&  
SCHEMATIC DIAGRAM

for

**STORE ERROR PAIRS**

015-0289-00

**WARNING**

THE FOLLOWING SERVICING INSTRUCTIONS ARE FOR USE BY QUALIFIED PERSONNEL ONLY. TO AVOID PERSONAL INJURY, DO NOT PERFORM ANY SERVICING OTHER THAN THAT CONTAINED IN OPERATING INSTRUCTIONS UNLESS YOU ARE QUALIFIED TO DO SO.

Tektronix, Inc.  
P.O. Box 500  
Beaverton, Oregon 97077

070-3259-00

SEMICONDUCTOR TEST SYSTEMS (STS)  
MEASUREMENT SYSTEMS DIVISION

FIRST PRINTING - JULY 1977

## WARRANTY

This Tektronix instrument is warranted against defective materials and workmanship for one year. Any questions with respect to the warranty should be taken up with your Tektronix Field Engineer or representative.

All requests for repairs and replacement parts should be directed to the Tektronix Field Office or representative in your area. This will assure you the fastest possible service. Please include the instrument type number or part number and serial number with all requests for parts or service.

Copyright © 1977 by Tektronix, Inc. All rights reserved. Contents of this publication may not be reproduced in any form without the permission of Tektronix, Inc.

Products of Tektronix, Inc. and its subsidiaries are covered by U.S. and foreign patents and/or pending patents.

TEKTRONIX, TEK, SCOPE-MOBILE, TELEQUIPMENT, and  are registered trademarks of Tektronix, Inc. Printed in U.S.A. Specification and price change privileges are reserved.

## TABLE OF CONTENTS

Introduction	1-1
Replaceable Parts Lists	2-1
Schematic Diagrams	
Program Decode	◇ 1
Connector Board # 1 with Shift Clock Control Board	◇ 2



## STORE ERROR PAIRS

015-0289-00

### Usage

The Store Error Pairs feature is an optional part of the S-3260 Automated Test System. It consists of two circuit boards: one called Program Decode that operates in J806 of the 1803 card nest, and a second called Shift Clock Control that plugs into Connector Board #1 in the 1803.

### Purpose

The Store Error Pairs option enables the S-3260 to perform tests that determine not only that a device fails, but also why it fails. This feature makes Store Error Pairs more useful for engineering and testing prototypes than for production-line testing.



# REPLACEABLE PARTS

## PARTS ORDERING INFORMATION

Replacement parts are available from or through your local Tektronix, Inc. Field Office or representative.

Changes to Tektronix instruments are sometimes made to accommodate improved components as they become available, and to give you the benefit of the latest circuit improvements developed in our engineering department. It is therefore important, when ordering parts, to include the following information in your order: Part number, instrument type or number, serial number, and modification number if applicable.

If a part you have ordered has been replaced with a new or improved part, your local Tektronix, Inc. Field Office or representative will contact you concerning any change in part number.

Change information, if any, is located at the rear of this manual.

## SPECIAL NOTES AND SYMBOLS

X000 Part first added at this serial number  
00X Part removed after this serial number

## FIGURE AND INDEX NUMBERS

Items in this section are referenced by figure and index numbers to the illustrations.

## INDENTATION SYSTEM

This mechanical parts list is indented to indicate item relationships. Following is an example of the indentation system used in the description column.

```

1 2 3 4 5           Name & Description
Assembly and/or Component
Attaching parts for Assembly and/or Component
    - - - * - - -
Detail Part of Assembly and/or Component
Attaching parts for Detail Part
    - - - * - - -
Parts of Detail Part
Attaching parts for Parts of Detail Part
    - - - * - - -
  
```

Attaching Parts always appear in the same indentation as the item it mounts, while the detail parts are indented to the right. Indented items are part of, and included with, the next higher indentation. The separation symbol - - - \* - - - indicates the end of attaching parts.

**Attaching parts must be purchased separately, unless otherwise specified.**

## ITEM NAME

In the Parts List, an Item Name is separated from the description by a colon (:). Because of space limitations, an Item Name may sometimes appear as incomplete. For further Item Name identification, the U.S. Federal Cataloging Handbook H6-1 can be utilized where possible.

## ABBREVIATIONS

"	INCH	ELCTRN	ELECTRON	IN	INCH	SE	SINGLE END
#	NUMBER SIZE	ELEC	ELECTRICAL	INCAND	INCANDESCENT	SECT	SECTION
ACTR	ACTUATOR	ELCTLT	ELECTROLYTIC	INSUL	INSULATOR	SEMICON	SEMICONDUCTOR
ADPTR	ADAPTER	ELEM	ELEMENT	INTL	INTERNAL	SHLD	SHIELD
ALIGN	ALIGNMENT	EPL	ELECTRICAL PARTS LIST	LPHLDR	LAMPHOLDER	SHLDR	SHOULDERED
AL	ALUMINUM	EQPT	EQUIPMENT	MACH	MACHINE	SKT	SOCKET
ASSEM	ASSEMBLED	EXT	EXTERNAL	MECH	MECHANICAL	SL	SLIDE
ASSY	ASSEMBLY	FIL	FILLISTER HEAD	MTG	MOUNTING	SLFLKG	SELF-LOCKING
ATTEN	ATTENUATOR	FLEX	FLEXIBLE	NIP	NIPPLE	SLVG	SLEEVEING
AWG	AMERICAN WIRE GAGE	FLH	FLAT HEAD	NON WIRE	NOT WIRE WOUND	SPR	SPRING
BD	BOARD	FLTR	FILTER	OBD	ORDER BY DESCRIPTION	SQ	SQUARE
BRKT	BRACKET	FR	FRAME or FRONT	OD	OUTSIDE DIAMETER	SST	STAINLESS STEEL
BRS	BRASS	FSTNR	FASTENER	OVH	OVAL HEAD	STL	STEEL
BRZ	BRONZE	FT	FOOT	PH BRZ	PHOSPHOR BRONZE	SW	SWITCH
BSHG	BUSHING	FXD	FIXED	PL	PLAIN or PLATE	T	TUBE
CAB	CABINET	GSKT	GASKET	PLSTC	PLASTIC	TERM	TERMINAL
CAP	CAPACITOR	HDL	HANDLE	PN	PART NUMBER	THD	THREAD
CER	CERAMIC	HEX	HEXAGON	PNH	PAN HEAD	THK	THICK
CHAS	CHASSIS	HEX HD	HEXAGONAL HEAD	PWR	POWER	TNSN	TENSION
CKT	CIRCUIT	HEX SOC	HEXAGONAL SOCKET	RCPT	RECEPTACLE	TPG	TAPPING
COMP	COMPOSITION	HLCPS	HELICAL COMPRESSION	RES	RESISTOR	TRH	TRUSS HEAD
CONN	CONNECTOR	HLEXT	HELICAL EXTENSION	RGD	RIGID	V	VOLTAGE
COV	COVER	HV	HIGH VOLTAGE	RLF	RELIEF	VAR	VARIABLE
CPLG	COUPLING	IC	INTEGRATED CIRCUIT	RTNR	RETAINER	W/	WITH
CRT	CATHODE RAY TUBE	ID	INSIDE DIAMETER	SCH	SOCKET HEAD	WSHR	WASHER
DEG	DEGREE	IDNT	IDENTIFICATION	SCOPE	OSCILLOSCOPE	XPMR	TRANSFORMER
DWR	DRAWER	IMPLR	IMPELLER	SCR	SCREW	XSTR	TRANSISTOR

CROSS INDEX—MFR. CODE NUMBER TO MANUFACTURER

Mfr. Code	Manufacturer	Address	City, State, Zip
01121	ALLEN-BRADLEY COMPANY	1201 2ND STREET SOUTH	MILWAUKEE, WI 53204
01295	TEXAS INSTRUMENTS, INC., SEMICONDUCTOR GROUP	P O BOX 5012, 13500 N CENTRAL EXPRESSWAY	DALLAS, TX 75222
04713	MOTOROLA, INC., SEMICONDUCTOR PROD. DIV.	5005 E MCDOWELL RD, PO BOX 20923	PHOENIX, AZ 85036
07910	TELEDYNE SEMICONDUCTOR	12515 CHADRON AVE.	HAWTHORNE, CA 90250
14158	AVX CERAMICS CORP., WESTERN OPERATIONS	10441 ROSELLE ST.	SAN DIEGO, CA 92121
18677	SCANBE MFG. CORP.	3445 FLETCHER AVE.	EL MONTE, CA 91731
22526	BERG ELECTRONICS, INC.	YOUK EXPRESSWAY	NEW CUMBERLAND, PA 17070
56289	SPRAGUE ELECTRIC CO.		NORTH ADAMS, MA 01247
71785	TRW, CINCH CONNECTORS	1501 MORSE AVENUE	ELK GROVE VILLAGE, IL 60007
72982	ERIE TECHNOLOGICAL PRODUCTS, INC.	644 W. 12TH ST.	ERIE, PA 16512
80009	TEKTRONIX, INC.	P O BOX 500	BEAVERTON, OR 97077
98291	SEAELECTRO CORP.	225 HOYT	MAMARONECK, NY 10544



PROGRAM DECODE

Ckt No.	Tektronix Part No.	Serial/Model No. Eff	Dscont	Name & Description	Mfr Code	Mfr Part Number
	670-4219-01			CKT BOARD ASSY:PROGRAM DECODE	80009	670-4219-01
C130	283-0256-00			CAP.,FXD,CER DI:130PF,5%,100V	72982	8121B145P3K131J
C131	283-0204-00			CAP.,FXD,CER DI:0.01UF,20%,50V	72982	8121N075Z5U0103M
C141	283-0204-00			CAP.,FXD,CER DI:0.01UF,20%,50V	72982	8121N075Z5U0103M
C142	283-0204-00			CAP.,FXD,CER DI:0.01UF,20%,50V	72982	8121N075Z5U0103M
C143	283-0204-00			CAP.,FXD,CER DI:0.01UF,20%,50V	72982	8121N075Z5U0103M
C150	283-0204-00			CAP.,FXD,CER DI:0.01UF,20%,50V	72982	8121N075Z5U0103M
C151	283-0204-00			CAP.,FXD,CER DI:0.01UF,20%,50V	72982	8121N075Z5U0103M
C220	283-0204-00			CAP.,FXD,CER DI:0.01UF,20%,50V	72982	8121N075Z5U0103M
C230	283-0256-00			CAP.,FXD,CER DI:130PF,5%,100V	72982	8121B145P3K131J
C231	283-0204-00			CAP.,FXD,CER DI:0.01UF,20%,50V	72982	8121N075Z5U0103M
C241	283-0256-00			CAP.,FXD,CER DI:130PF,5%,100V	72982	8121B145P3K131J
C250	290-0517-00			CAP.,FXD,ELCTLT:6.8UF,20%,35V	56289	196D685X0035KA1
C270	283-0177-00			CAP.,FXD,CER DI:1UF,+80-20%,25V	72982	8131N039 E 105Z
C310	283-0204-00			CAP.,FXD,CER DI:0.01UF,20%,50V	72982	8121N075Z5U0103M
C320	283-0204-00			CAP.,FXD,CER DI:0.01UF,20%,50V	72982	8121N075Z5U0103M
C340	290-0517-00			CAP.,FXD,ELCTLT:6.8UF,20%,35V	56289	196D685X0035KA1
C350	283-0177-00			CAP.,FXD,CER DI:1UF,+80-20%,25V	72982	8131N039 E 105Z
C351	283-0177-00			CAP.,FXD,CER DI:1UF,+80-20%,25V	72982	8131N039 E 105Z
CR210	152-0141-02			SEMICONV DEVICE:SILICON,30V,150MA	07910	1N4152
CR211	152-0141-02			SEMICONV DEVICE:SILICON,30V,150MA	07910	1N4152
DL22	119-0400-00			DELAY LINE,ELEC:100 OHM,14LD,DIP	14158	7531-100
Q210	151-0190-00			TRANSISTOR:SILICON,NPN	80009	151-0190-00
Q211	151-0190-00			TRANSISTOR:SILICON,NPN	80009	151-0190-00
Q212	151-0190-00			TRANSISTOR:SILICON,NPN	80009	151-0190-00
Q213	151-0190-00			TRANSISTOR:SILICON,NPN	80009	151-0190-00
R110	315-0102-00			RES.,FXD,CMPSN:1K OHM,5%,0.25W	01121	CB1025
R111	315-0102-00			RES.,FXD,CMPSN:1K OHM,5%,0.25W	01121	CB1025
R120	315-0102-00			RES.,FXD,CMPSN:1K OHM,5%,0.25W	01121	CB1025
R121	315-0102-00			RES.,FXD,CMPSN:1K OHM,5%,0.25W	01121	CB1025
R122	315-0820-00			RES.,FXD,CMPSN:82 OHM,5%,0.25W	01121	CB8205
R140	315-0820-00			RES.,FXD,CMPSN:82 OHM,5%,0.25W	01121	CB8205
R141	315-0121-00			RES.,FXD,CMPSN:120 OHM,5%,0.25W	01121	CB1215
R142	315-0102-00			RES.,FXD,CMPSN:1K OHM,5%,0.25W	01121	CB1025
R143	315-0102-00			RES.,FXD,CMPSN:1K OHM,5%,0.25W	01121	CB1025
R144	315-0102-00			RES.,FXD,CMPSN:1K OHM,5%,0.25W	01121	CB1025
R145	315-0511-00			RES.,FXD,CMPSN:510 OHM,5%,0.25W	01121	CB5115
R150	315-0102-00			RES.,FXD,CMPSN:1K OHM,5%,0.25W	01121	CB1025
R151	315-0102-00			RES.,FXD,CMPSN:1K OHM,5%,0.25W	01121	CB1025
R160	315-0102-00			RES.,FXD,CMPSN:1K OHM,5%,0.25W	01121	CB1025
R180	315-0820-00			RES.,FXD,CMPSN:82 OHM,5%,0.25W	01121	CB8205
R181	315-0121-00			RES.,FXD,CMPSN:120 OHM,5%,0.25W	01121	CB1215
R182	315-0121-00			RES.,FXD,CMPSN:120 OHM,5%,0.25W	01121	CB1215
R183	315-0820-00			RES.,FXD,CMPSN:82 OHM,5%,0.25W	01121	CB8205
R184	315-0102-00			RES.,FXD,CMPSN:1K OHM,5%,0.25W	01121	CB1025
R210	315-0511-00			RES.,FXD,CMPSN:510 OHM,5%,0.25W	01121	CB5115
R211	315-0181-00			RES.,FXD,CMPSN:180 OHM,5%,0.25W	01121	CB1815
R213	315-0181-00			RES.,FXD,CMPSN:180 OHM,5%,0.25W	01121	CB1815
R220	315-0121-00			RES.,FXD,CMPSN:120 OHM,5%,0.25W	01121	CB1215
R221	315-0181-00			RES.,FXD,CMPSN:180 OHM,5%,0.25W	01121	CB1815
R222	315-0271-00			RES.,FXD,CMPSN:270 OHM,5%,0.25W	01121	CB2715

Replaceable Parts—015-0289-00

PROGRAM DECODE (CONTINUED)

Ckt No.	Tektronix Part No.	Serial/Model No. Eff	Dscont	Name & Description	Mfr Code	Mfr Part Number
R230	315-0102-00			RES.,FXD,CMPSN:1K OHM,5%,0.25W	01121	CB1025
R231	315-0511-00			RES.,FXD,CMPSN:510 OHM,5%,0.25W	01121	CB5115
R232	315-0511-00			RES.,FXD,CMPSN:510 OHM,5%,0.25W	01121	CB5115
R240	315-0101-00			RES.,FXD,CMPSN:100 OHM,5%,0.25W	01121	CB1015
R241	315-0102-00			RES.,FXD,CMPSN:1K OHM,5%,0.25W	01121	CB1025
R242	315-0102-00			RES.,FXD,CMPSN:1K OHM,5%,0.25W	01121	CB1025
R243	315-0101-00			RES.,FXD,CMPSN:100 OHM,5%,0.25W	01121	CB1015
R250	315-0102-00			RES.,FXD,CMPSN:1K OHM,5%,0.25W	01121	CB1025
R251	315-0101-00			RES.,FXD,CMPSN:100 OHM,5%,0.25W	01121	CB1015
R252	315-0102-00			RES.,FXD,CMPSN:1K OHM,5%,0.25W	01121	CB1025
R253	315-0101-00			RES.,FXD,CMPSN:100 OHM,5%,0.25W	01121	CB1015
R254	315-0101-00			RES.,FXD,CMPSN:100 OHM,5%,0.25W	01121	CB1015
R255	315-0102-00			RES.,FXD,CMPSN:1K OHM,5%,0.25W	01121	CB1025
R260	315-0102-00			RES.,FXD,CMPSN:1K OHM,5%,0.25W	01121	CB1025
R261	315-0102-00			RES.,FXD,CMPSN:1K OHM,5%,0.25W	01121	CB1025
R270	315-0102-00			RES.,FXD,CMPSN:1K OHM,5%,0.25W	01121	CB1025
R271	315-0102-00			RES.,FXD,CMPSN:1K OHM,5%,0.25W	01121	CB1025
R272	315-0102-00			RES.,FXD,CMPSN:1K OHM,5%,0.25W	01121	CB1025
R273	315-0102-00			RES.,FXD,CMPSN:1K OHM,5%,0.25W	01121	CB1025
R274	315-0102-00			RES.,FXD,CMPSN:1K OHM,5%,0.25W	01121	CB1025
R275	315-0681-00			RES.,FXD,CMPSN:680 OHM,5%,0.25W	01121	CB6815
R340	315-0102-00			RES.,FXD,CMPSN:1K OHM,5%,0.25W	01121	CB1025
U12	156-0182-00			MICROCIRCUIT,DI:TRIPLE 2-3-2 INPUT GATE	04713	MC10105L
U13	156-0458-00			MICROCIRCUIT,DI:ECL 10K QUAD AND GATE	04713	MC10104L
U14	156-0182-00			MICROCIRCUIT,DI:TRIPLE 2-3-2 INPUT GATE	04713	MC10105L
U15	156-0205-00			MICROCIRCUIT,DI:QUAD 2-INPUT NOR GATE	80009	156-0205-00
U16	156-0205-00			MICROCIRCUIT,DI:QUAD 2-INPUT NOR GATE	80009	156-0205-00
U17	156-0205-00			MICROCIRCUIT,DI:QUAD 2-INPUT NOR GATE	80009	156-0205-00
U23	156-0205-00			MICROCIRCUIT,DI:QUAD 2-INPUT NOR GATE	80009	156-0205-00
U24	156-0182-00			MICROCIRCUIT,DI:TRIPLE 2-3-2 INPUT GATE	04713	MC10105L
U26	156-0458-00			MICROCIRCUIT,DI:ECL 10K QUAD AND GATE	04713	MC10104L
U28	156-0205-00			MICROCIRCUIT,DI:QUAD 2-INPUT NOR GATE	80009	156-0205-00
U34	156-0368-00			MICROCIRCUIT,LI:QUAD TTL TO ECL CONVERTER	04713	MC10124L
U35	156-0368-00			MICROCIRCUIT,LI:QUAD TTL TO ECL CONVERTER	04713	MC10124L

SHIFT CLOCK CONTROL

Ckt No.	Tektronix Part No.	Serial/Model No. Eff	Dscont	Name & Description	Mfr Code	Mfr Part Number
	670-4213-01			CKT BOARD ASSY:SHIFT CLOCK CONTROL		
R1060	315-0820-00			RES.,FXD,CMPNSN:82 OHM,5%,0.25W	01121	CB8205
R1061	315-0121-00			RES.,FXD,CMPNSN:120 OHM,5%,0.25W	01121	CB1215
R1062	315-0102-00			RES.,FXD,CMPNSN:1K OHM,5%,0.25W	01121	CB1025
R1090	315-0102-00			RES.,FXD,CMPNSN:1K OHM,5%,0.25W	01121	CB1025
R1091	315-0820-00			RES.,FXD,CMPNSN:82 OHM,5%,0.25W	01121	CB8205
R1092	315-0121-00			RES.,FXD,CMPNSN:120 OHM,5%,0.25W	01121	CB1215
R1102	315-0511-00			RES.,FXD,CMPNSN:510 OHM,5%,0.25W	01121	CB5115
R1103	315-0102-00			RES.,FXD,CMPNSN:1K OHM,5%,0.25W	01121	CB1025
R1140	315-0102-00			RES.,FXD,CMPNSN:1K OHM,5%,0.25W	01121	CB1025
R1141	315-0820-00			RES.,FXD,CMPNSN:82 OHM,5%,0.25W	01121	CB8205
R1142	315-0121-00			RES.,FXD,CMPNSN:120 OHM,5%,0.25W	01121	CB1215
R1150	315-0102-00			RES.,FXD,CMPNSN:1K OHM,5%,0.25W	01121	CB1025
R1151	315-0820-00			RES.,FXD,CMPNSN:82 OHM,5%,0.25W	01121	CB8205
R1152	315-0121-00			RES.,FXD,CMPNSN:120 OHM,5%,0.25W	01121	CB1215
R1160	315-0121-00			RES.,FXD,CMPNSN:120 OHM,5%,0.25W	01121	CB1215
R1161	315-0820-00			RES.,FXD,CMPNSN:82 OHM,5%,0.25W	01121	CB8205
R1162	315-0511-00			RES.,FXD,CMPNSN:510 OHM,5%,0.25W	01121	CB5115
R1163	315-0271-00			RES.,FXD,CMPNSN:270 OHM,5%,0.25W	01121	CB2715
U106	156-0230-00			MICROCIRCUIT,DI:DUAL D MA-SLAVE FLIP-FLOP	80009	156-0230-00
U109	156-0230-00			MICROCIRCUIT,DI:DUAL D MA-SLAVE FLIP-FLOP	80009	156-0230-00
U110	156-0230-00			MICROCIRCUIT,DI:DUAL D MA-SLAVE FLIP-FLOP	80009	156-0230-00
U114	156-0205-00			MICROCIRCUIT,DI:QUAD 2-INPUT NOR GATE	80009	156-0205-00
U115	156-0458-00			MICROCIRCUIT,DI:ECL 10K QUAD AND GATE	04713	MC10104L
U116	156-0205-00			MICROCIRCUIT,DI:QUAD 2-INPUT NOR GATE	80009	156-0205-00

Replaceable Parts—015-0289-00

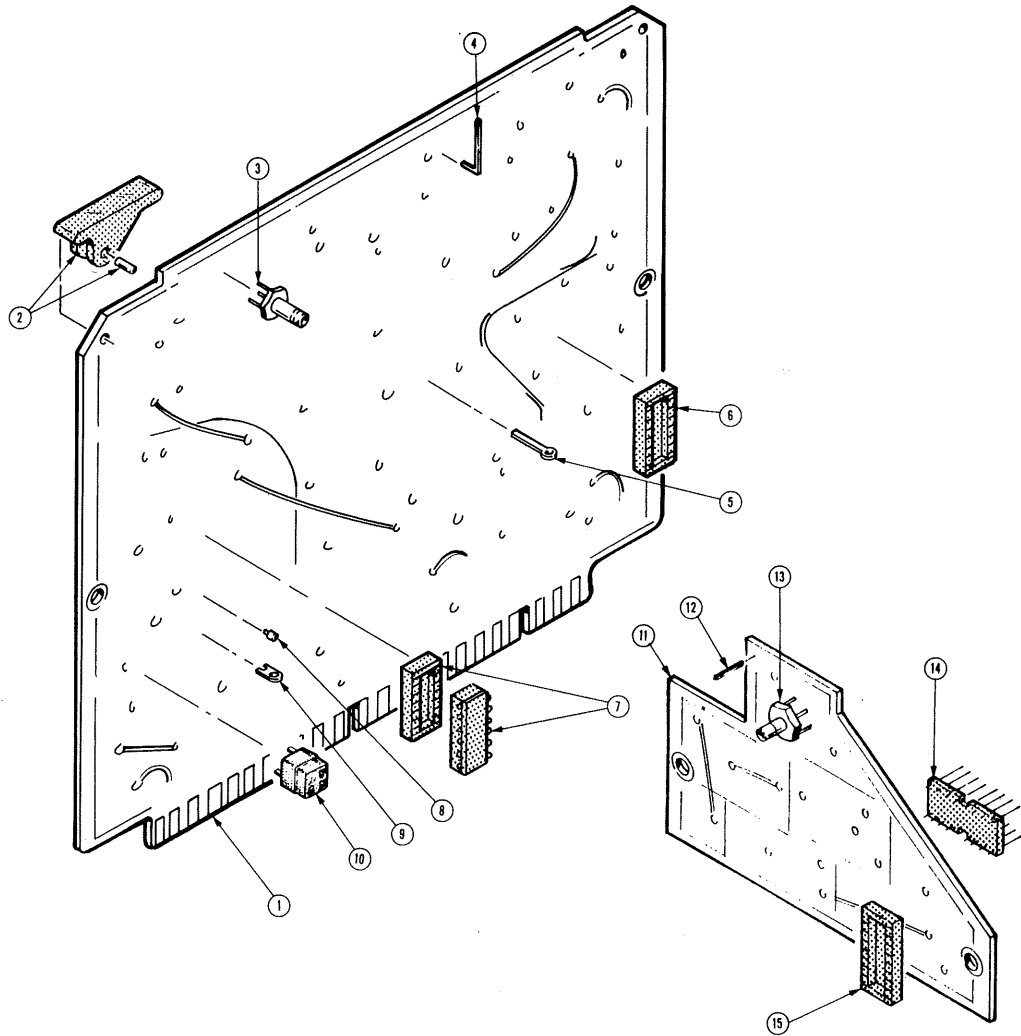
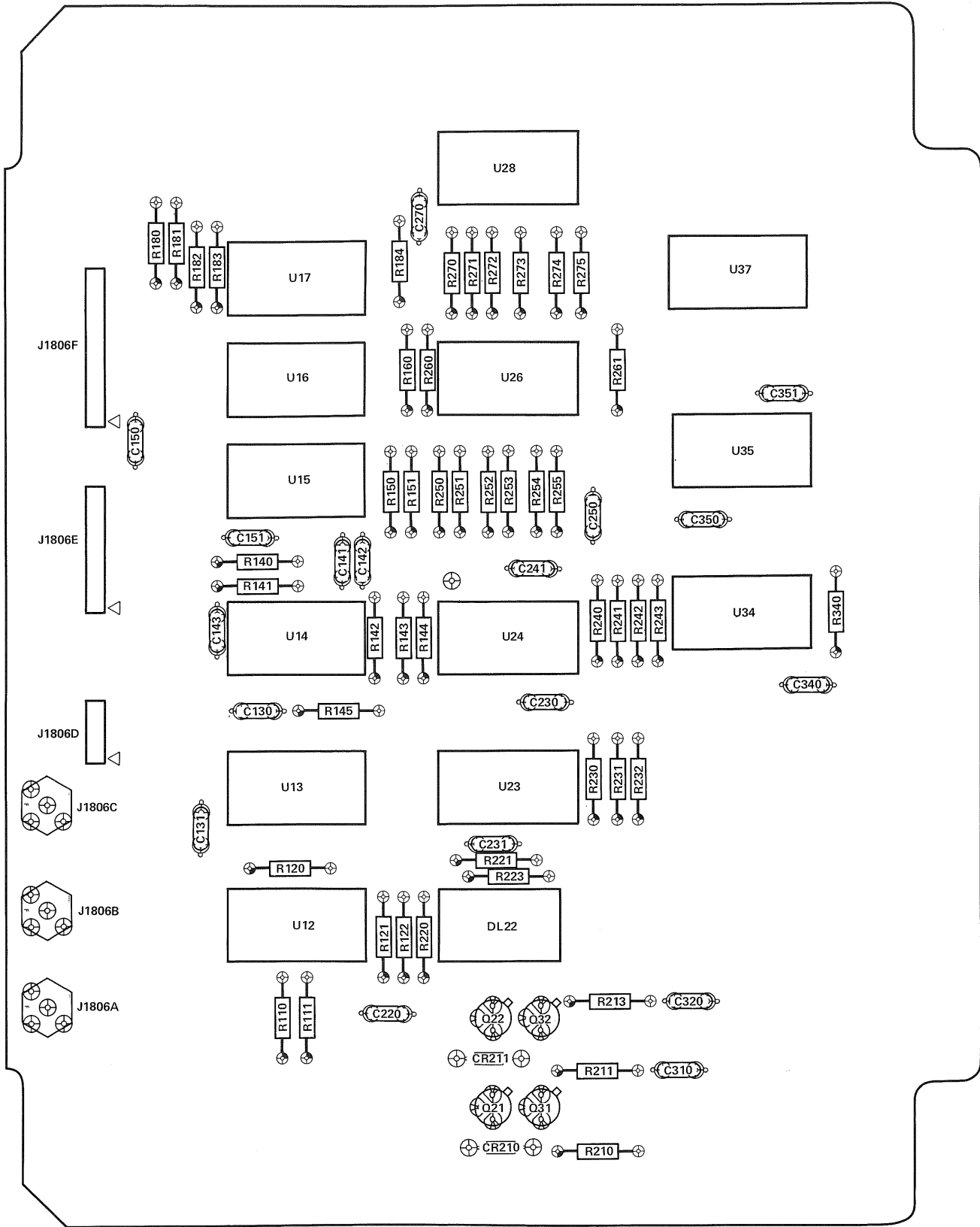
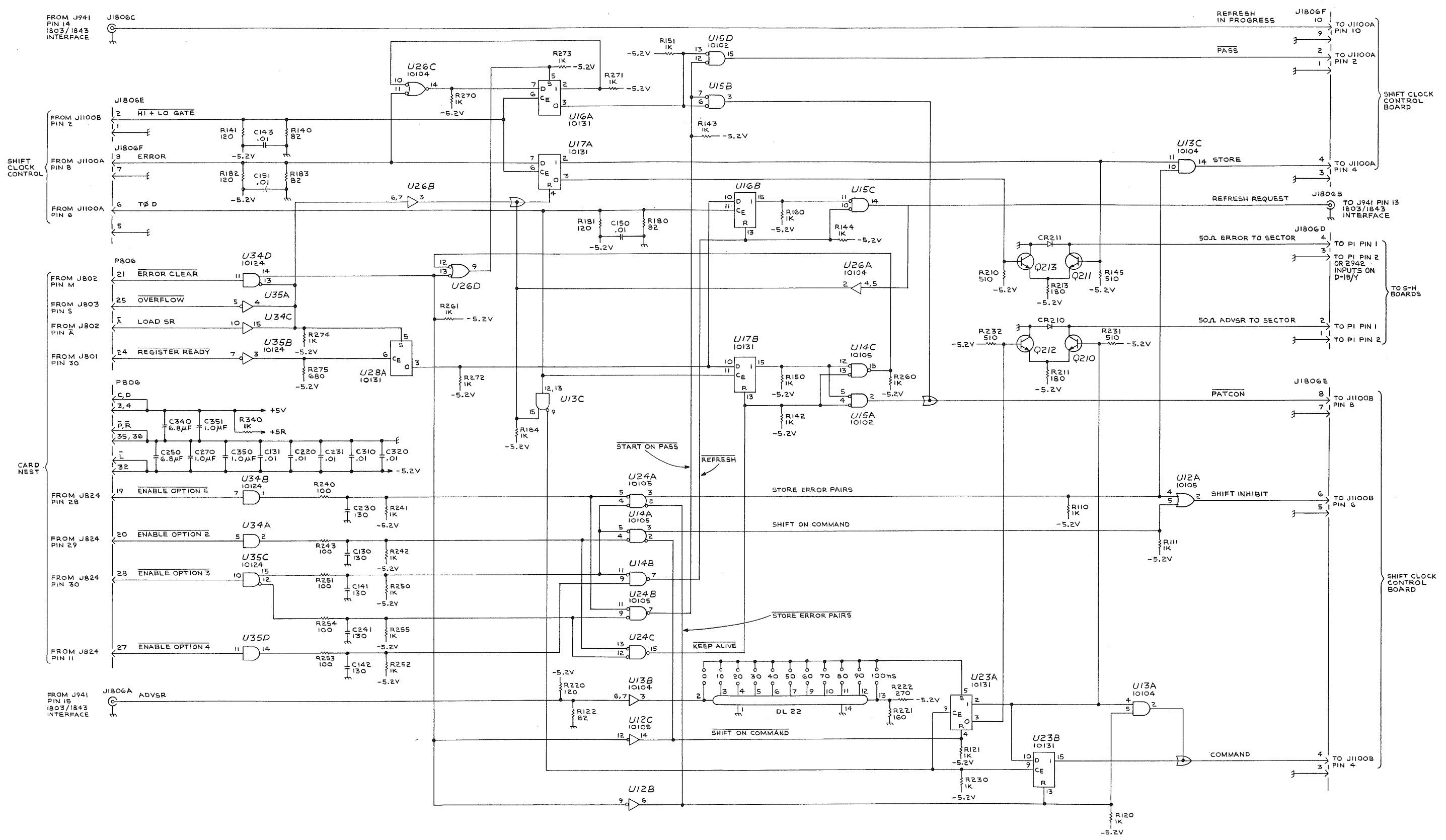


Fig. & Index No.	Tektronix Part No.	Serial/Model No. Eff	Serial/Model No. Dscont	Qty	1	2	3	4	5	Name & Description	Mfr Code	Mfr Part Number
1-1	670-4219-01			1						CKT BOARD ASSY:PROGRAM DECODE	80009	670-4219-01
-2	105-0144-00			1						. EJECTOR,CKT CD:MOLD PLASTIC,W/ROLL PIN	18677	S203
-3	131-0391-00			3						. CONNECTOR,RCPT,:50 OHM,COAX,SNAP-ON MALE	98291	51-051-0049
-4	131-0589-00			26						. CONTACT,ELEC:0.46 INCH LONG	22526	47350
-5	214-0579-00			1						. TERM.,TEST PT:0.40 INCH LONG	80009	214-0579-00
-6	136-0260-02			12						. SOCKET,PLUG-IN:16 CONTACT,LOW CLEARANCE	01295	C931602
-7	119-0400-00			1						. DELAY LINE,ELEC:100 OHM,14LD,DIP	14158	7531-100
-8	136-0252-04			22						. SOCKET,PIN TERM:0.188 INCH LONG	22526	75060
-9	131-1493-00			1						. CONTACT,ELEC:TEST POINT STRAP	80009	131-1493-00
-10	136-0220-00			4						. SOCKET,PLUG-IN:3 PIN,SQUARE	71785	133-23-11-034
-11	670-4213-01			1						CKT BOARD ASSY:SHIFT CLOCK CONTROL	80009	670-4213-01
-12	131-0608-00			20						. CONTACT,ELEC:0.365 INCH LONG	22526	47357
-13	131-0391-00			1						. CONNECTOR,RCPT,:50 OHM,COAX,SNAP-ON MALE	98291	51-051-0049
-14	131-1732-00			3						. CONN,PLUG,ELEC:MATES W/16 POSN DIP SOCKET	04919	R1008-16
-15	131-0260-02			3						. SOCKET,PLUG-IN:16 CONTACT,LOW CLEARANCE	01295	C931602



Parts Layout, Program Decode Board

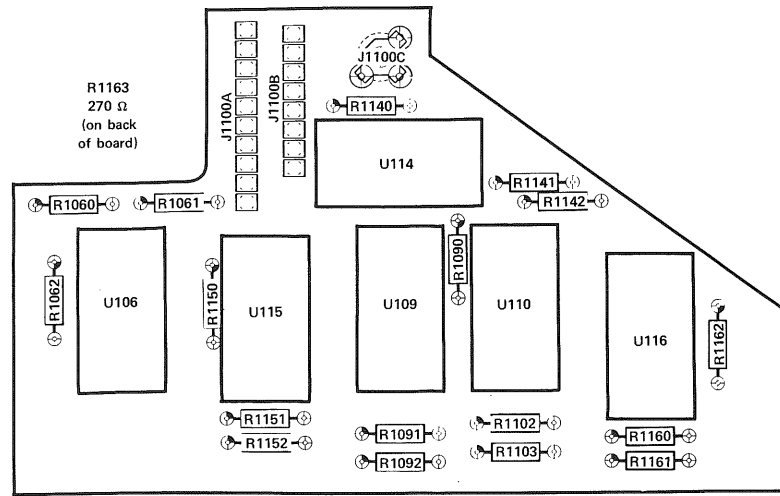


1803 CARD NEST  
 64730-01  
 670-4219-  
 015-0289-00

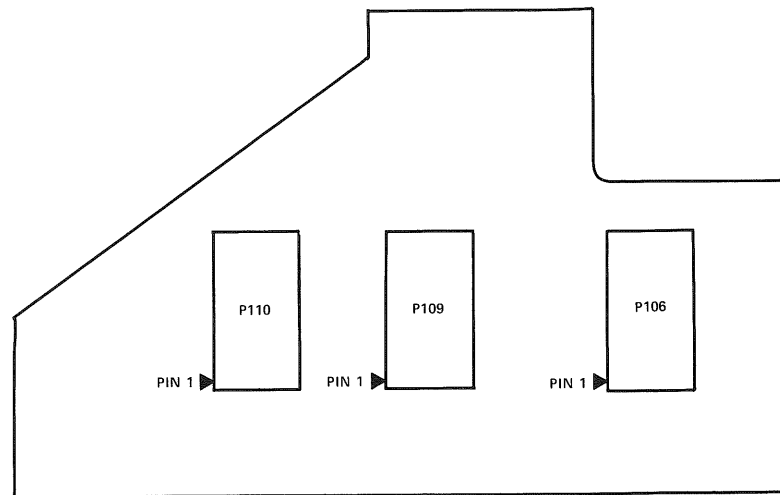
(3234) 3259-3  
 ©

P806 PROGRAM DECODE  
 (PART OF STORE ERROR PAIRS)

475  
 EXP



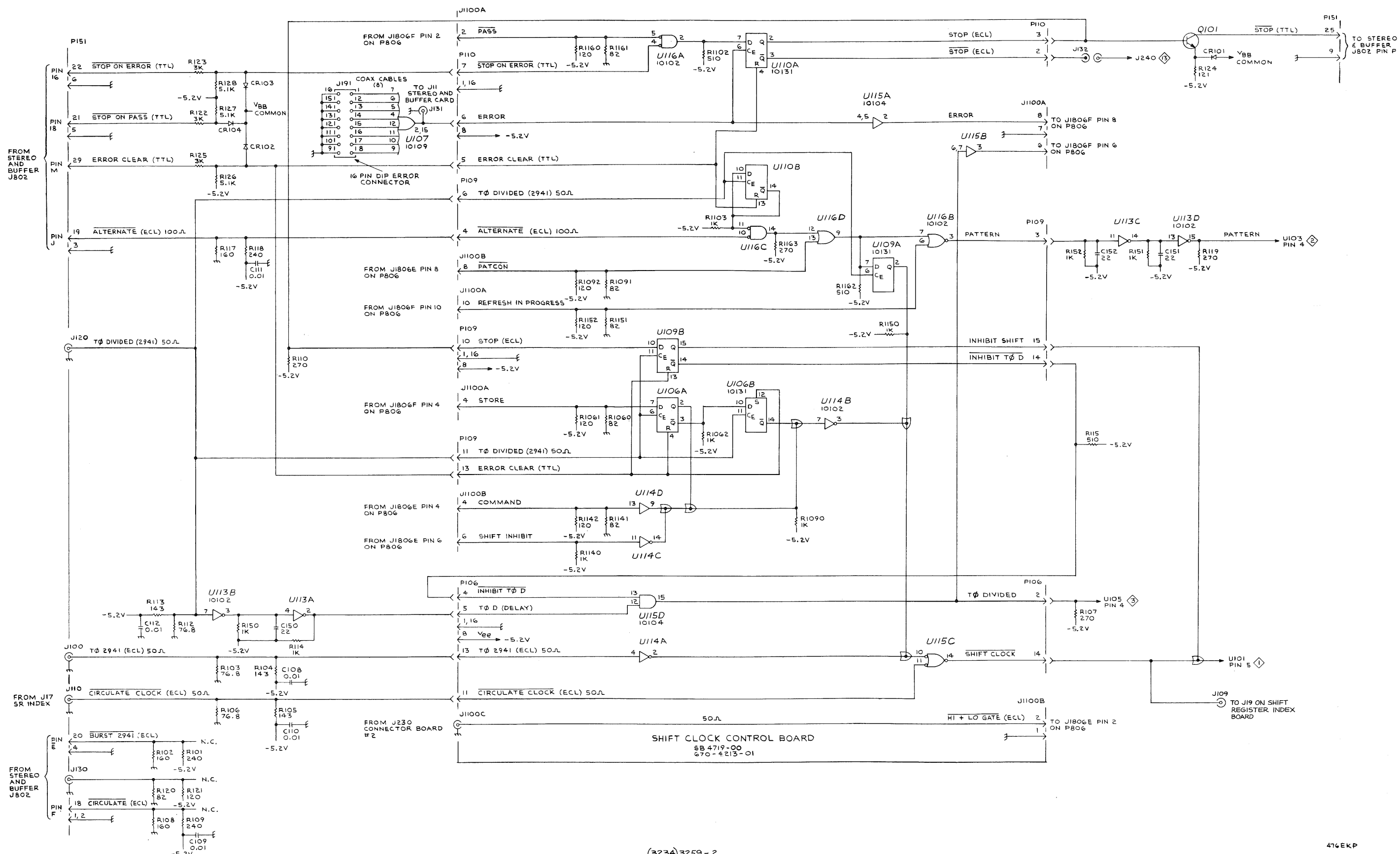
Front Side



Back Side

(3234) 3259-1

Parts Location, Shift Clock Control board



CONNECTOR BOARD 1 WITH SHIFT CLOCK CONTROL

CONNECTOR BOARD #1  
670-2714-04  
HF 3246-03  
015-0289-00

(3234) 3259-2

CONNECTOR BOARD 1 WITH SHIFT CLOCK CONTROL BOARD

476EKP