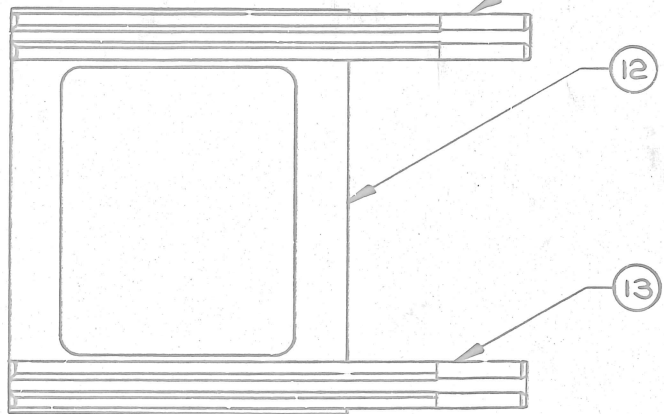
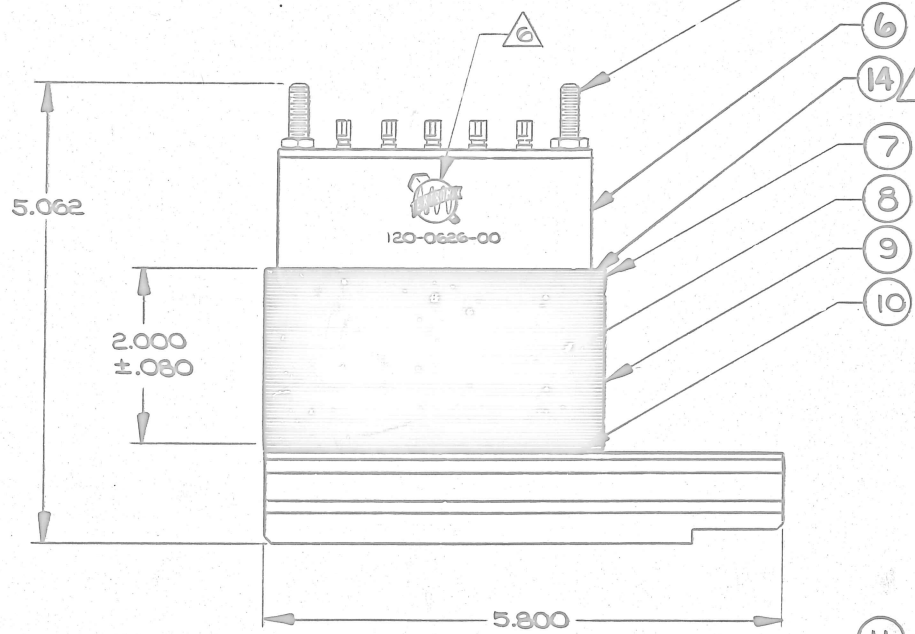
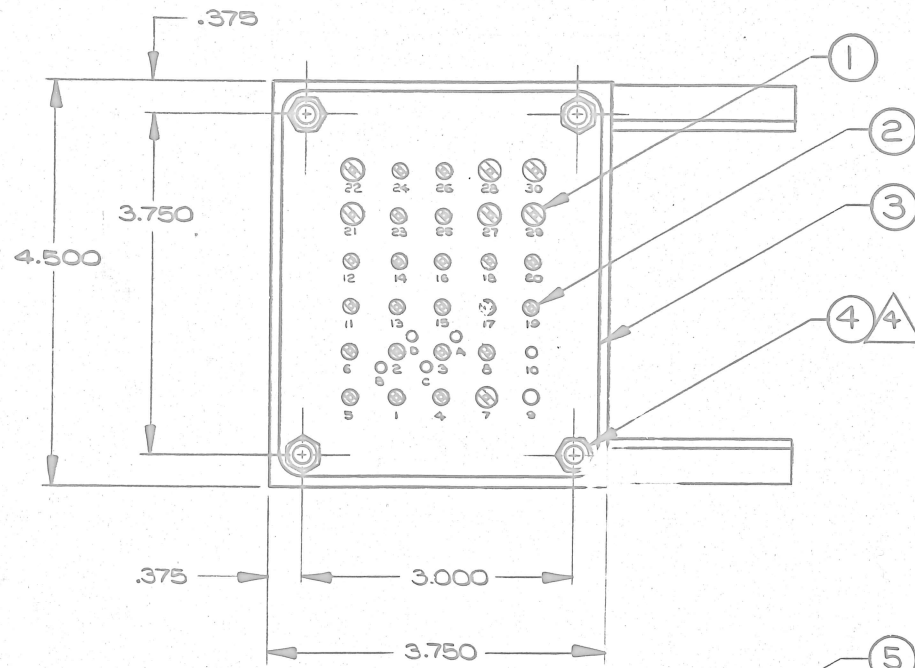


COIL STRUCTURE  
OUTSIDE

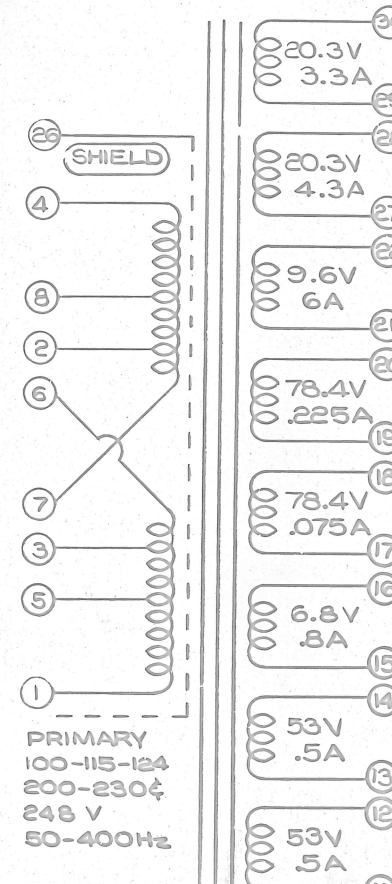
42-63B

THIS DRAWING WHEN DISTRIBUTED OUTSIDE TEKTRONIX, INC. IS SUPPLIED FOR IDENTIFICATION, ENGINEERING EVALUATION AND/OR INSPECTION PURPOSES ONLY AND MAY NOT BE USED AS A BASIS FOR MANUFACTURE OR SALES OF PRODUCTS WITHOUT WRITTEN PERMISSION FROM TEKTRONIX, INC. IF THIS DRAWING IS FURNISHED UNDER ANY UNITED STATES GOVERNMENT CONTRACT, IT SHALL NOT BE EITHER RELEASED OUTSIDE THE GOVERNMENT, OR USED, DUPLICATED, OR DISCLOSED IN WHOLE OR IN PART FOR MANUFACTURE OR PROCUREMENT, WITHOUT THE WRITTEN PERMISSION OF TEKTRONIX, INC. EXCEPT FOR: (1) EMERGENCY REPAIR OR OVERHAUL WORK BY OR FOR THE GOVERNMENT, WHERE THE ITEM OR PROCESS CONCERNED IS NOT OTHERWISE REASONABLY AVAILABLE TO ENABLE TIMELY PERFORMANCE OF THE WORK; OR (2) RELEASE TO A FOREIGN GOVERNMENT AS THE INTERESTS OF THE UNITED STATES MAY REQUIRE; PROVIDED THAT IN EITHER CASE THE RELEASE, USE, DUPLICATION OR DISCLOSURE HEREOF SHALL BE SUBJECT TO THE FOREGOING LIMITATIONS. IF THIS DRAWING IS REPRODUCED IN WHOLE OR IN PART, THIS ENTIRE LEGEND BLOCK MUST APPEAR ON ALL REPRODUCED COPIES.



TYPE WINDING	TERM NO
SEC 17T	21-22 2*16
SEC 36T	27-28 2*19
SEC 36T	29-30 2*20
SEC 12T	15-16 *22
SEC 94T	11-12 *22
SEC 94T	13-14 *22
SHIELD	26
PRI $\phi$ -16-42-220T	7-2-8-4 *20
PRI $\phi$ -178-204-220T	1-5-3-6 *20
SHIELD	26
SEC 139T	17-18 *29
SEC 139T	19-20 *29

LINE TO 1-4	CONNECT
100V	1 TO 8 & 4 TO 5
115V	1 TO 2 & 4 TO 3
124V	1 TO 7 & 4 TO 6
200V	5 TO 8
230V	2 TO 3
248V	6 TO 7



- ORIENTATION OF KEEPER IS OPTIONAL
- STAMP TM & PN, STYLE 67E, .375 MIN SIZE & 10 PT TYPE, YELLOW
5. 23-24-25 ARE DUMMY TERMINALS
4. NUTS, TEMPORARY #10 PLASTIC (006-0146-00) USED IN PLACE OF 210-0564-00 FOR INTERPLANT SHIPMENT
3. VOLTAGE RATINGS ARE RMS NO LOAD. CURRENT RATINGS ARE AMPS DC TYPICAL
2. WINDINGS INSULATED FOR 600 VDC
1. ALL DIMENSIONS REFERENCE UNLESS OTHERWISE SPECIFIED

INSIDE

ITEM	PART NUMBER	QTY	DESCRIPTION
14	386-4779-00	2	PLATE, LAMINATION (KEEPER)
13	351-0197-00	1	SLIDE, LEFT
12	200-0107-00	1	COVER, FINISH BLUE
11	351-0196-00	1	SLIDE, RIGHT
10	210-0912-00	4	WASHER, #10 FIBER
9	006-0607-00	AR	FINISH, BLACK LACQUER
8	166-0229-00	4	TUBE, INSULATING, BOLT, 3.250
7	386-0006-00	AR	PLATE, LAMINATION, STEEL
6	384-0027-00	1	RING, FINISH BLUE
5	355-0026-00	4	BOLT, 10-32 x 4.500
4	210-0564-00	4	NUT, 10-32 x .375
3	392-0216-00	1	BOARD, TERMINAL
2	129-0024-00	21	POST, CONNECTING (SMALL)
1	129-0023-00	7	POST, CONNECTING (LARGE)

CUSTOMER SERVICE

TEKTRONIX, INC. P. O. BOX 600 BEAVERTON, OREGON U.S.A. 97005

DR H.R. ADAMS 5 JUL 69

ENGR R. C. Cramer 28 APR 70

CHK L. Clemon 28 Apr 70

PROD C. Lemon 28 Apr 70

MATERIAL LISTED

FINISH NOTED

TITLE TRANSFORMER, POWER

CODE IDENT NO 80009

SIZE C

PART NUMBER 120-0626-00

REV B