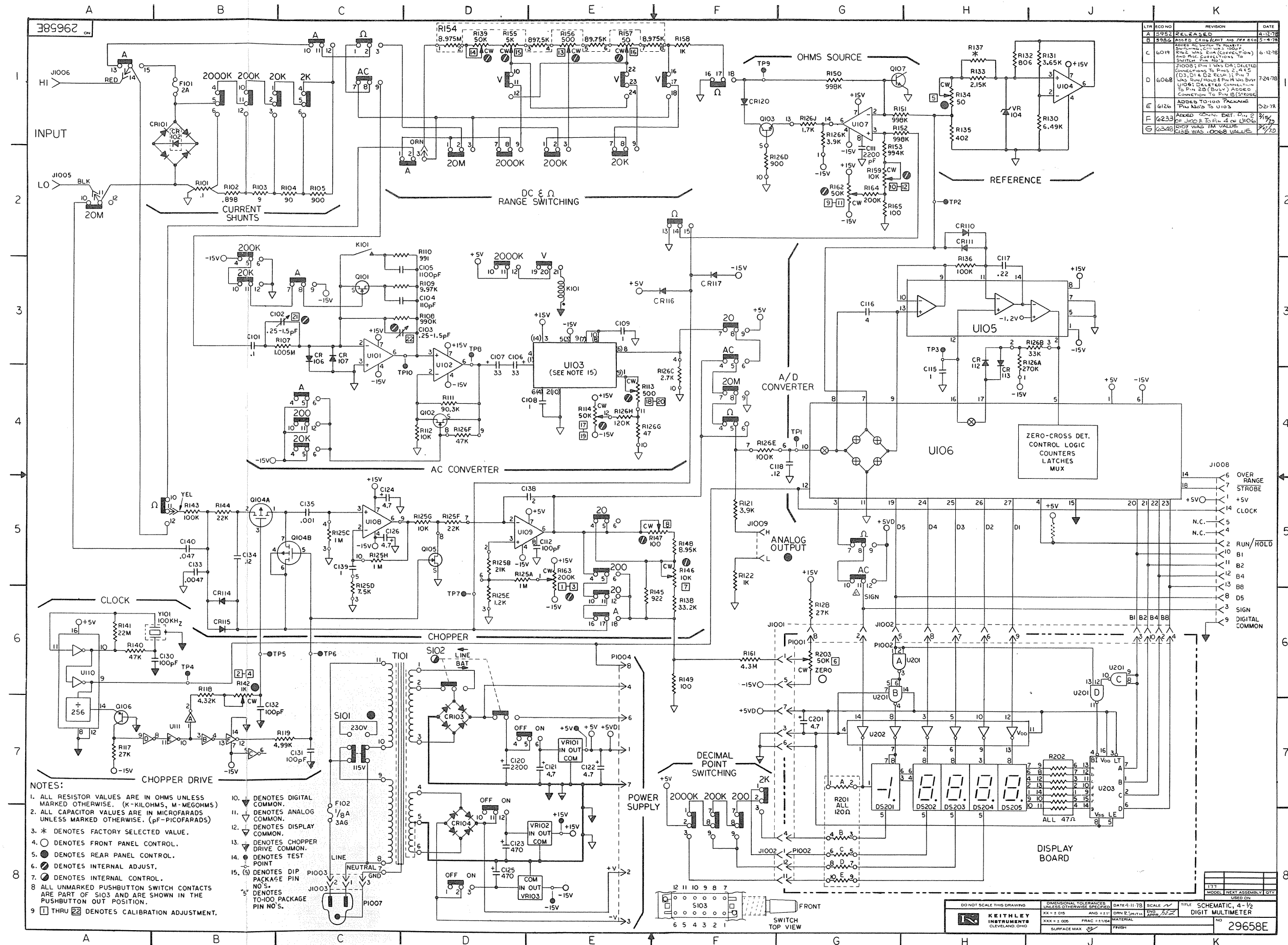


INSTRUCTION MANUAL  
Digital Multimeter  
Model 177



LTN	ECO NO	REVISION	DATE
A	3982	RELEASED	4-11-78
B	3982	ADDED CR116 AND R158	5-4-78
C	6019	ADDED AC SOURCE TO FRONT PANEL AND R158 (CONNECTION) AND R159 (CONNECTION) TO FRONT PANEL	6-12-78
D	6068	ADDED R158 TO FRONT PANEL AND R159 TO FRONT PANEL AND R158 TO FRONT PANEL AND R159 TO FRONT PANEL	7-24-78
E	6126	ADDED TO 100 PACKAGE PIN 102 TO U103	8-21-78
F	6233	ADDED CONN. EXT. PIN 2 TO U106	9-14-78
G	6240	CR107 WAS TIM VALUE R158 WAS .0028 VALUE	9-17-78

- NOTES:
- ALL RESISTOR VALUES ARE IN OHMS UNLESS MARKED OTHERWISE. (K-KILOHMS, M-MEGOHMS)
  - ALL CAPACITOR VALUES ARE IN MICROFARADS UNLESS MARKED OTHERWISE. (PF-PICOFARADS)
  - \* DENOTES FACTORY SELECTED VALUE.
  - DENOTES FRONT PANEL CONTROL.
  - DENOTES REAR PANEL CONTROL.
  - ⊙ DENOTES INTERNAL ADJUST.
  - ⊙ DENOTES INTERNAL CONTROL.
  - ALL UNMARKED PUSHBUTTON SWITCH CONTACTS ARE PART OF S103 AND ARE SHOWN IN THE PUSHBUTTON OUT POSITION.
  - ⊠ THRU ⊡ DENOTES CALIBRATION ADJUSTMENT.
  - ⊠ DENOTES DIGITAL COMMON.
  - ⊡ DENOTES ANALOG COMMON.
  - ⊡ DENOTES DISPLAY COMMON.
  - ⊡ DENOTES CHOPPER DRIVE COMMON.
  - ⊡ DENOTES TEST POINT.
  - ⊡ DENOTES DIP PACKAGE PIN NO'S.
  - ⊡ DENOTES TO-100 PACKAGE PIN NO'S.

DO NOT SCALE THIS DRAWING

KEITHLEY INSTRUMENTS  
CLEVELAND, OHIO

DATE: 4-11-78  
SCALE: 1/8" = 1"

TITLE: SCHEMATIC, 4 1/2 DIGIT MULTIMETER

NO. 29658E