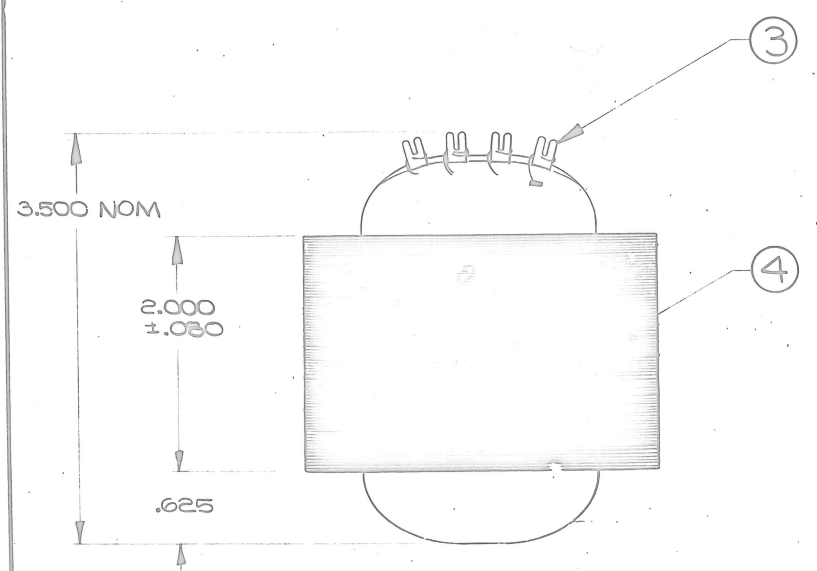
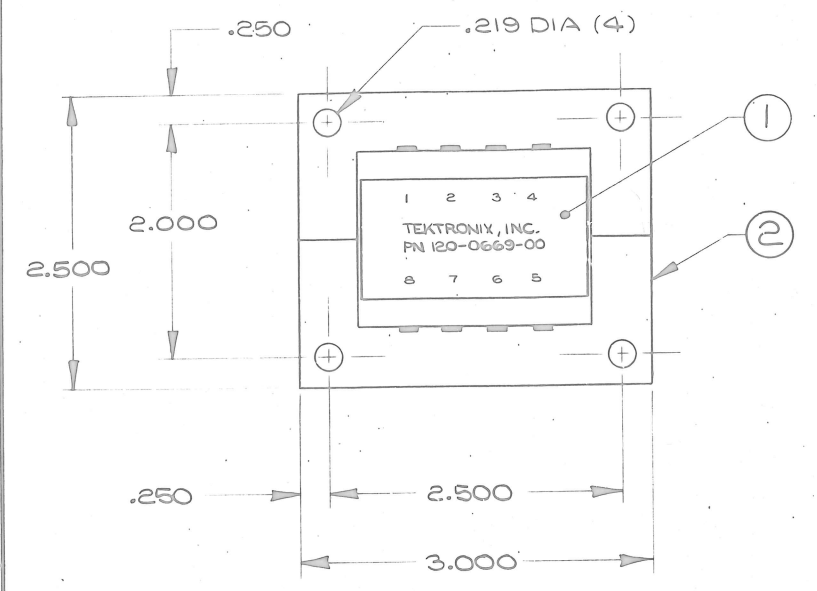


44-141B

THIS DRAWING WHEN DISTRIBUTED OUTSIDE TEKTRONIX, INC., IS SUPPLIED FOR IDENTIFICATION, ENGINEERING EVALUATION AND/OR INSPECTION PURPOSES ONLY AND MAY NOT BE USED AS A BASIS FOR MANUFACTURE OR SALES OF PRODUCTS WITHOUT WRITTEN PERMISSION FROM TEKTRONIX, INC. IF THIS DRAWING IS FURNISHED UNDER ANY UNITED STATES GOVERNMENT CONTRACT, IT SHALL NOT BE EITHER RELEASED OUTSIDE THE GOVERNMENT, OR USED, DUPLICATED, OR DISCLOSED IN WHOLE OR IN PART FOR MANUFACTURE OR PROCUREMENT, WITHOUT THE WRITTEN PERMISSION OF TEKTRONIX, INC., EXCEPT FOR: (1) EMERGENCY REPAIR OR OVERHAUL WORK BY OR FOR THE GOVERNMENT, WHERE THE ITEM OR PROCESS CONCERNED IS NOT OTHERWISE REASONABLY AVAILABLE TO ENABLE TIMELY PERFORMANCE OF THE WORK; OR (2) RELEASE TO A FOREIGN GOVERNMENT AS THE INTERESTS OF THE UNITED STATES MAY REQUIRE, PROVIDED THAT IN EITHER CASE THE RELEASE, USE, DUPLICATION OR DISCLOSURE HEREOF SHALL BE SUBJECT TO THE FOREGOING LIMITATIONS. IF THIS DRAWING IS REPRODUCED IN WHOLE OR IN PART, THIS ENTIRE LEGEND BLOCK MUST APPEAR ON ALL REPRODUCED COPIES.

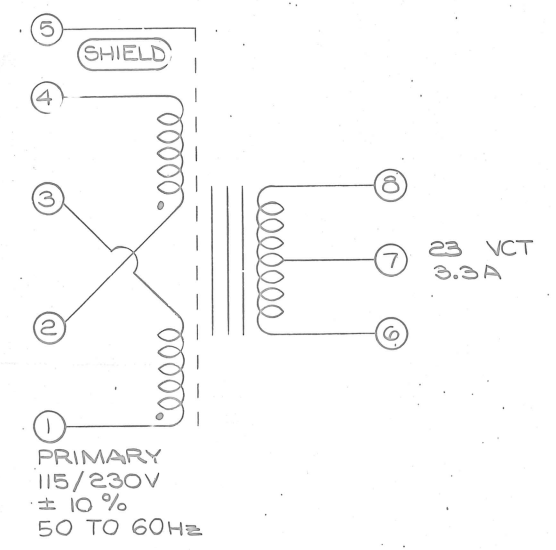
REV	REF	DESCRIPTION OF CHANGE	CHK BY	DATE



COIL STRUCTURE OUTSIDE

TYPE WINDING	TERM NO
SEC	6-7-8
Ø-30-60T	#16
SHIELD	5
PRI	2-4
300T	#27
PRI	1-3
300T	#27

INSIDE



LINE TO 1-4	CONNECT
115V 230V	1 TO 2, 3 TO 4 2 TO 3

PART NUMBER 120-0669-00 REV

4. POLARITY: PER SCHEMATIC
3. VOLTAGE RATINGS ARE RMS NO LOAD. CURRENT RATINGS ARE AMPS DC TYPICAL
2. WINDINGS INSULATED FOR 600 VDC
1. ALL DIMENSIONS REFERENCE UNLESS OTHERWISE SPECIFIED

NOTES:

**TEKTRONIX, INC.** P. O. BOX 500 BEAVERTON, OREGON U.S.A. 97005

DR **H. R. ADAMS** 3MAR70 DIMENSIONS ARE IN INCHES  
 ENGR **R. Logan** 12 OCT 71 TOLERANCES: UNLESS OTHERWISE SPECIFIED  
 CHK **L. P. Lane** 13 Sep 72 DEC. — ANG. —  
 PROD **L. P. Lane** 13 Sep 72 SCALE 1:1 FIRST USED ON R1140

MATERIAL LISTED

FINISH NOTED

TITLE **TRANSFORMER, POWER**

CODE IDENT NO **80009** SIZE **C** PART NUMBER **120-0669-00** REV

DO NOT SCALE DRAWING

ITEM	PART NUMBER	QTY	DESCRIPTION
4	252-0039-00	AR	FINISH, BLACK GLYPTAL
3	210-0257-00	8	TERMINAL, LARGE
2	336-0005-00	AR	PLATE, LAMINATION, STEEL
1	334-1574-00	1	LABEL

LIST OF MATERIALS