

DESCRIPTION

The M136 provides for selection of one of three trigger sources. There are two high frequency channels and one low frequency channel. Channel selection is accomplished by switching a current source (resistor to -15V) to the appropriate select pin. Input voltages are at zero volts. External load resistors are required. When the load resistors are 50 ohms, gain and bandwidth are nominally 6 MHz and 1500 MHz respectively.

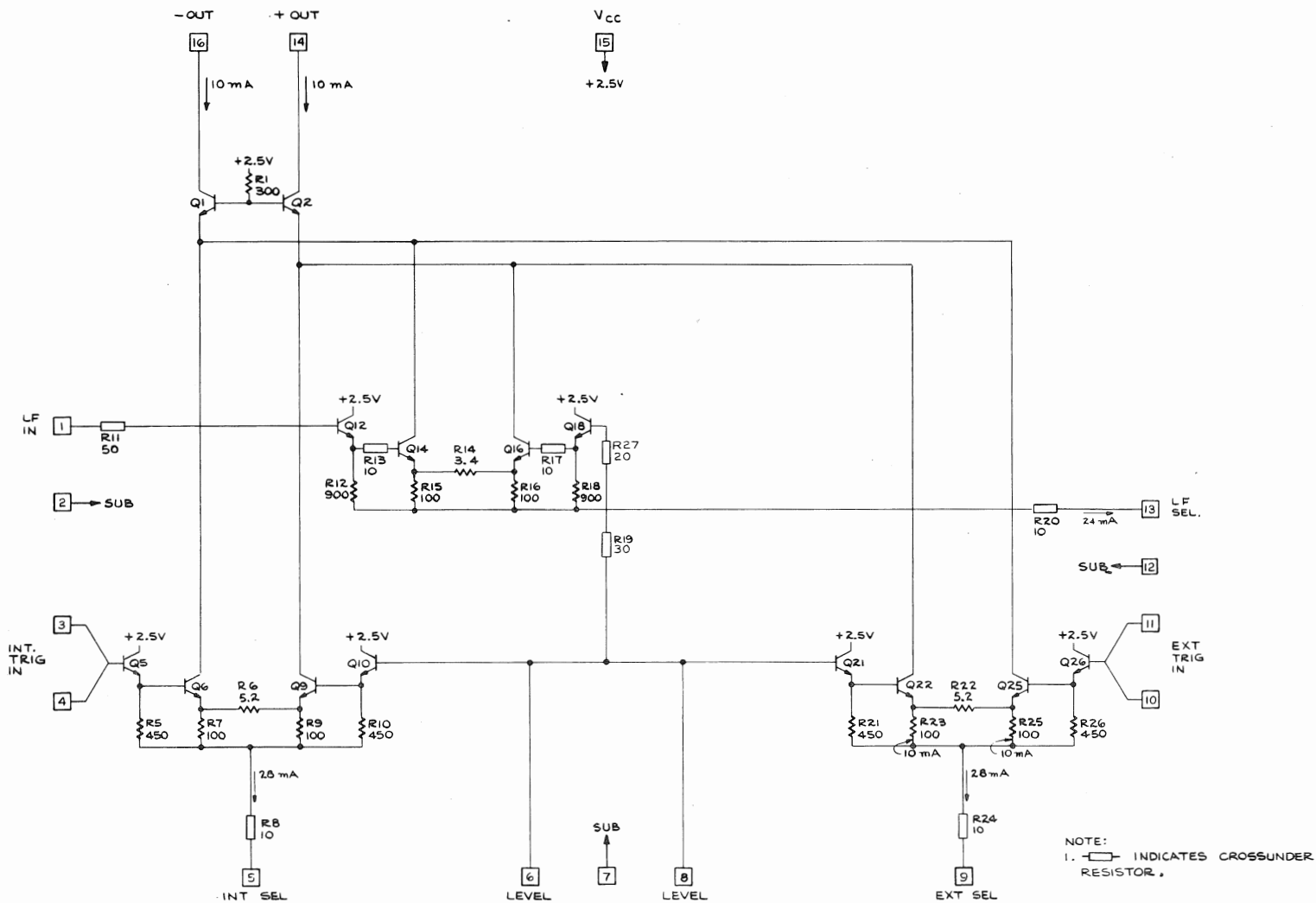
PROCESS . . . . . SHF III

POWER SUPPLY. . . . . +2.5 Volt Resistor From  
-15 Volts to Source Select  
(one of three)

PACKAGE . . . . . 16 Pin MiniPac

DESIGNER . . . . . Art Metz

INSTRUMENT USAGE . . . . . 7B10 7B15  
067-0821-00



ENGR	<i>Walt Answorth</i>	12-9-76	PROCESS	SHF III
DWN BY	S. POLENDEY	9-9-76	PACKAGE	16 PIN MINIPAC
CHK BY	C. WESTON	3-17-77	DIE SIZE	48mil. X 48mil.
TYPE	MONOLITHIC	TRIGGER AMPLIFIER		M136C
INTEGRATED CIRCUIT ENG/WFG		TEKTRONIX, INC.		
BEAVERTON, OREGON, U.S.A.		PART NO. 155-0160-00		