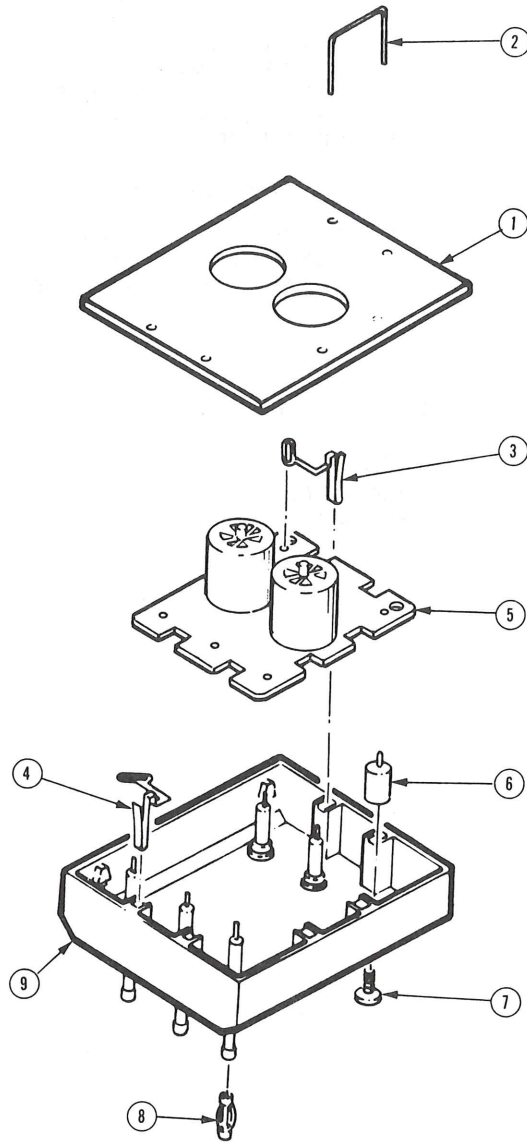


A1008 FET LONG LEAD ADAPTER



NO. 062-8517-01
DATE OCT 1986(R)
COPYRIGHT © 1985
TEKTRONIX, INC.
ALL RIGHTS RESERVED

Fig. & Index No.	Tektronix Part No.	Serial/Assembly No. Effective	Dscont	Qty	12345 Name & Description	Mfr. Code	Mfr. Part No.
1-1	200-3169-00	8537	8638	1	COVER,XSTR ADAP:PLASTIC,MKD LONG LEAD FETS	80009	200-3169-00
	200-3169-01	8639		1	COV,XSTR ADPTR:PLASTIC,MKD LONG LEAD FETS	80009	200-3169-01
-2	131-1046-00			1	CONTACT,ELEC:TEST ADPTR,BRS CU-SN-ZN	80009	131-1046-00
-3	131-3442-01			1	CONTACT,ELEC:CU-BE,NI PL,RIGHT,PKG OF 3	80009	131-3442-01
-4	131-3441-01			1	CONTACT,ELEC:BE-CU,NI PL,LEFT,PKG OF 3	80009	131-3441-01
-5	670-9169-00			1	CIRCUIT BD ASSY:DUAL LONG LEAD FETS	80009	670-9169-00
-6	-----			1	MOUNT,CKT BOARD: (AVAILABLE ONLY AS PACKAGE OF 5)		
	426-2108-01			1	MOUNT,CKT BOARD:PKG OF 5 (ATTACHING PARTS)	80009	426-2108-01
-7	134-0186-00			1	PLUG,TIP:DUMMY (END ATTACHING PARTS)	80009	134-0186-00
-8	214-3790-00			5	SPRING,CONTACT:0.470 L,CU BE	80009	214-3790-00
-9	202-0199-00	8537	8638	1	BOX,TEST ADPTR:3.006 X 2.50 X 0.640	80009	202-0199-00
	202-0199-01	8639		1	BOX,TEST ADPTR:3.006 X 2.5 X 0.64	80009	202-0199-01
STANDARD ACCESSORIES							
	003-1369-00	8537	8638	1	RLSE TOOL,COVER:POLYCARBONATE	80009	003-1369-00
	196-3063-00			1	LEAD,ELECTRICAL:20 AWG,8.0 L,2-0	80009	196-3063-00
	062-8517-01			1	DATA SHEET:A1008 LONG LEAD ADAPTER	80009	062-8517-01

CROSS INDEX - MFR. CODE NUMBER TO MANUFACTURER

Mfr. Code	Manufacturer	Address	City, State, Zip Code
80009	TEKTRONIX INC	4900 S W GRIFFITH DR P O BOX 500	BEAVERTON OR 97077