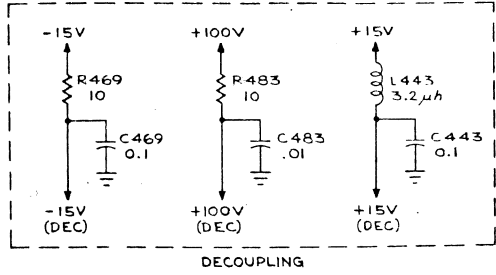
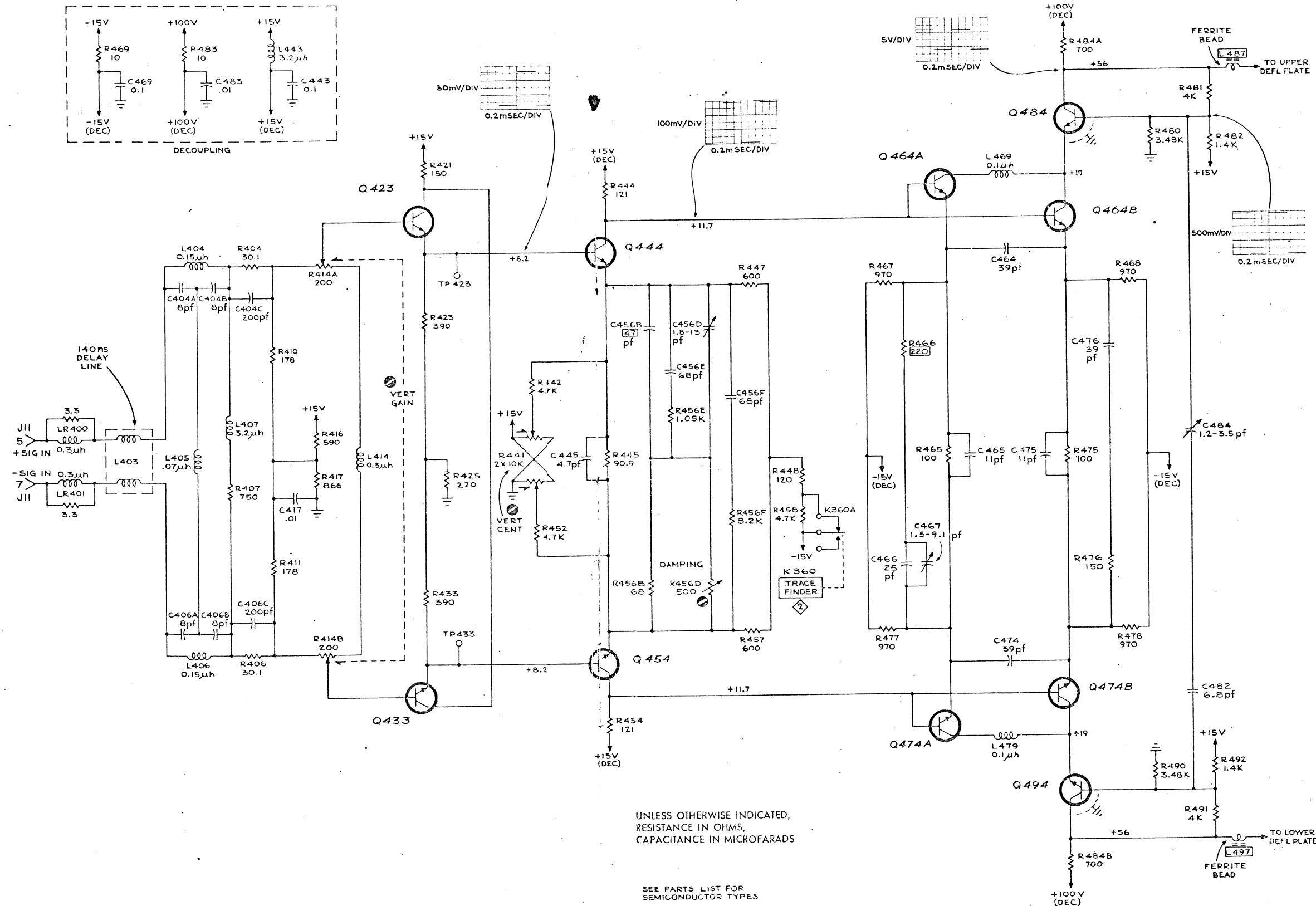


DON 864

Figure 6-5. Type RM647 Block Diagram



UNLESS OTHERWISE INDICATED,  
RESISTANCE IN OHMS,  
CAPACITANCE IN MICROFARADS

SEE PARTS LIST FOR  
SEMICONDUCTOR TYPES

# HORIZONTAL AMPLIFIER

See IMPORTANT note on Vertical Amplifier diagram for waveform and voltage conditions.

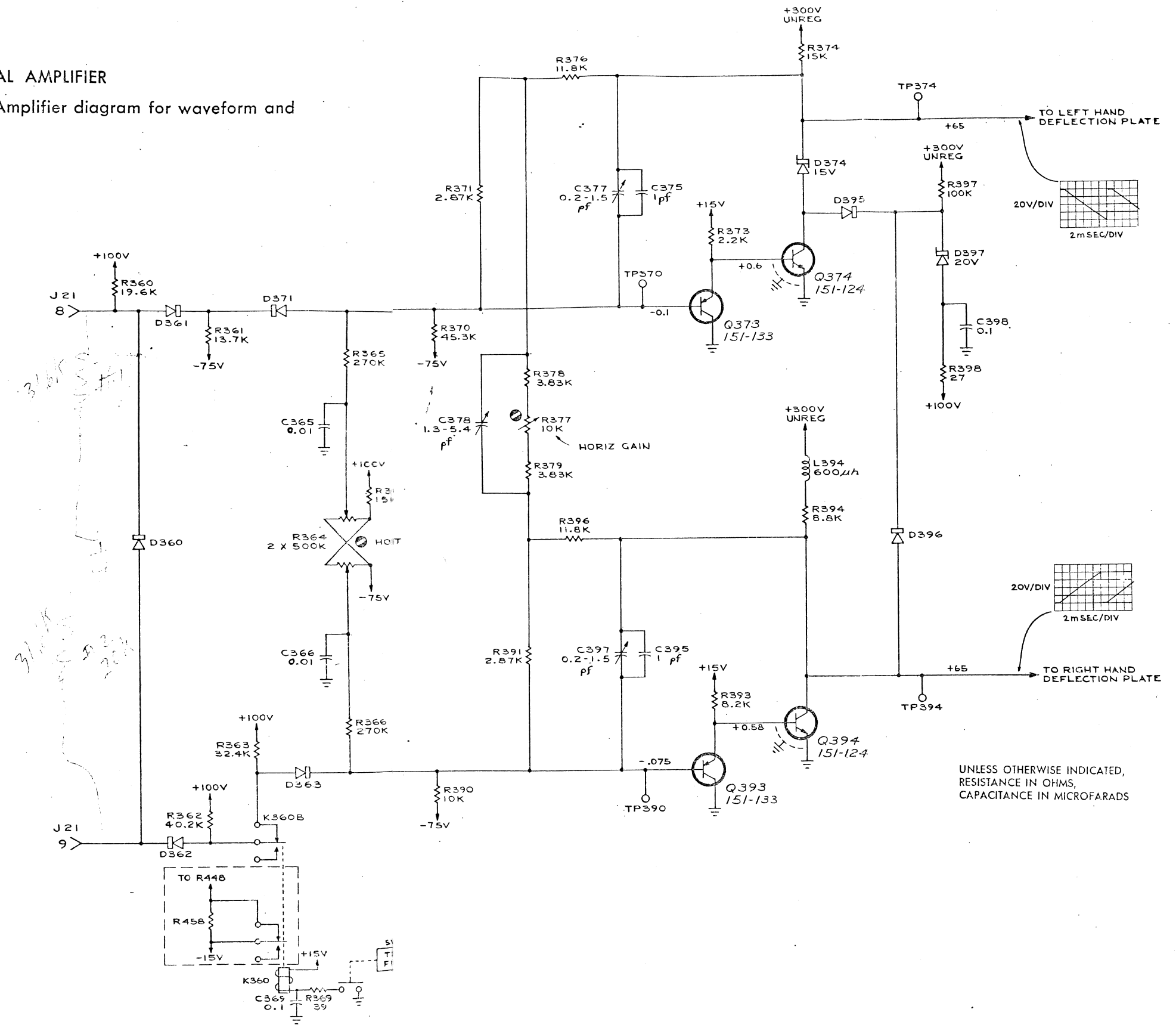


Figure 6-7. Type RM647 Horizontal Amplifier Schematic Diagram

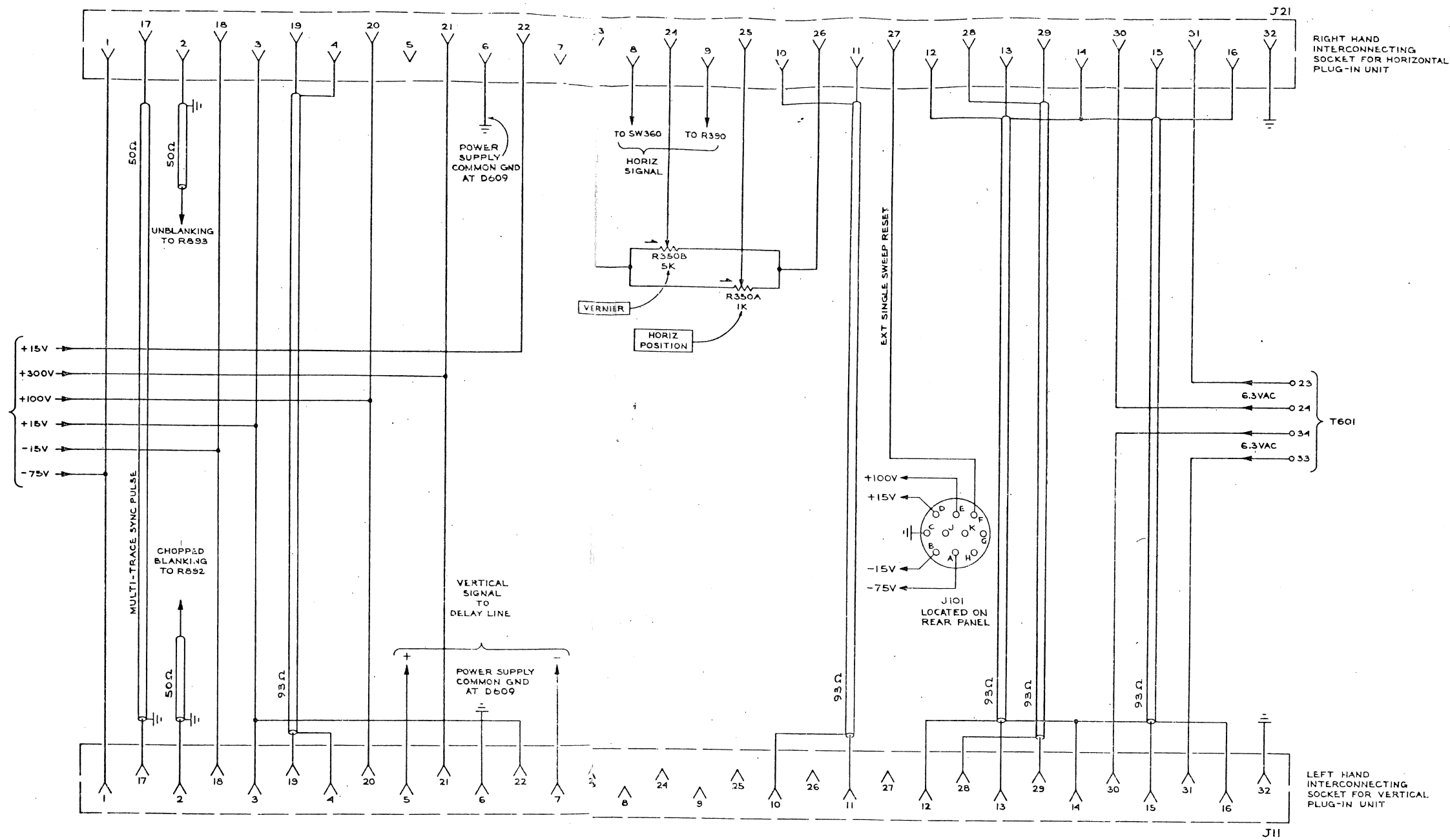
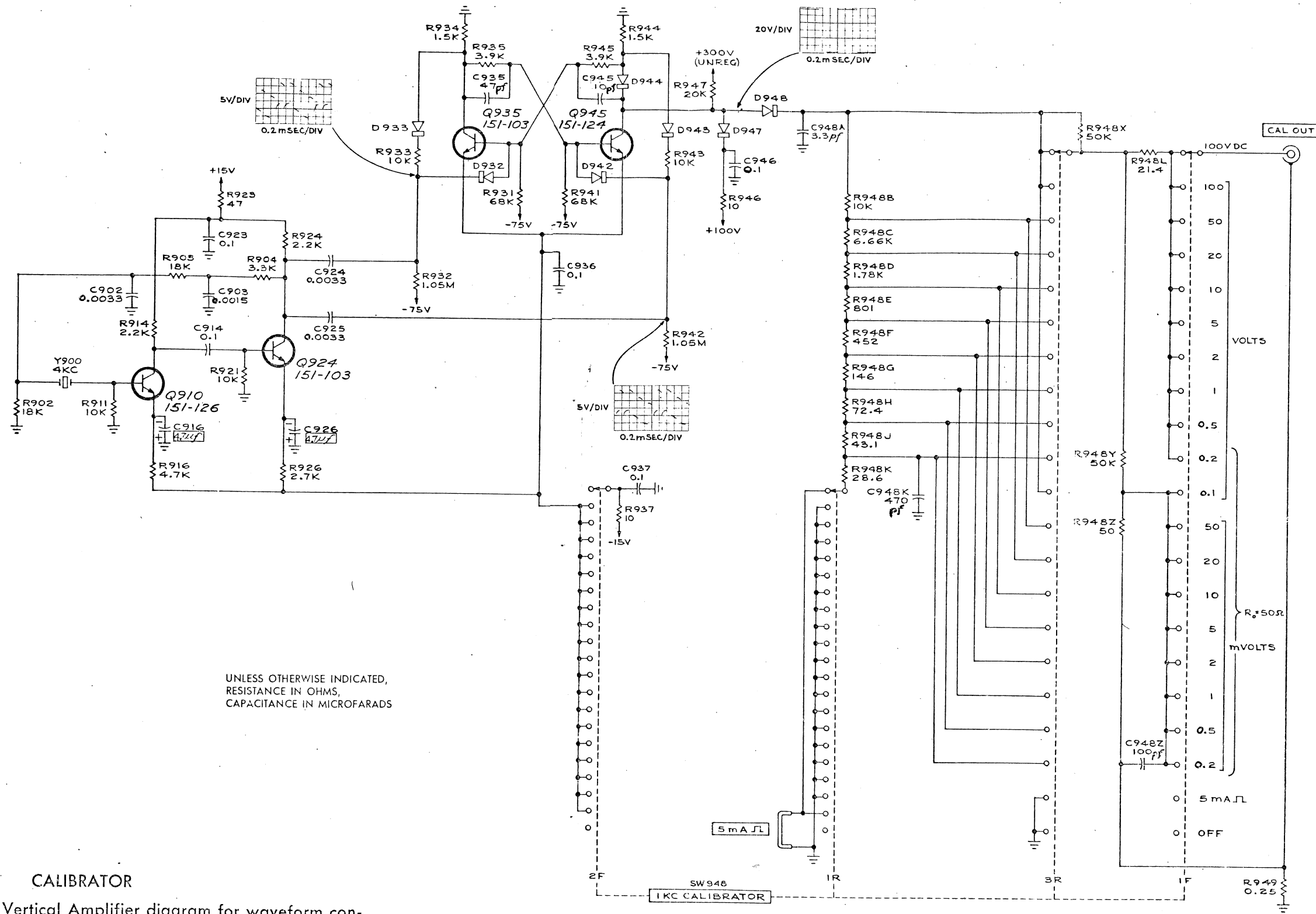


Figure 6-11. Type RM647 Interconnecting Sockets



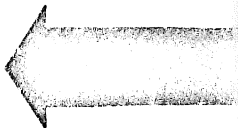


CALIBRATOR

IMPORTANT note on Vertical Amplifier diagram for waveform con-  
15.

Figure 6-10. Type RM647 Calibrator Schematic Diagram



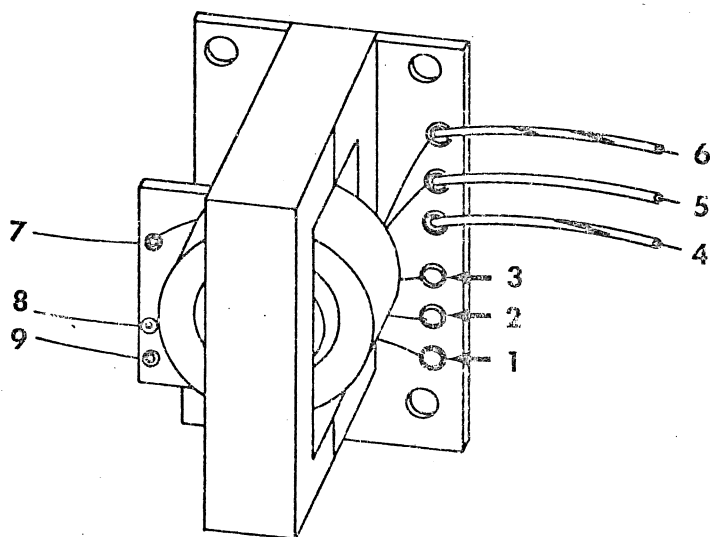


### CRT CIRCUIT

Note 1: Amplitude varies with intensity setting. Peak limits are about +10 and +100 volts.

\* Intensity fully counterclockwise.

See IMPORTANT note on Vertical Amplifier diagram for waveform and voltage conditions.



T801 TRANSFORMER DETAILS

Q804-2N3251