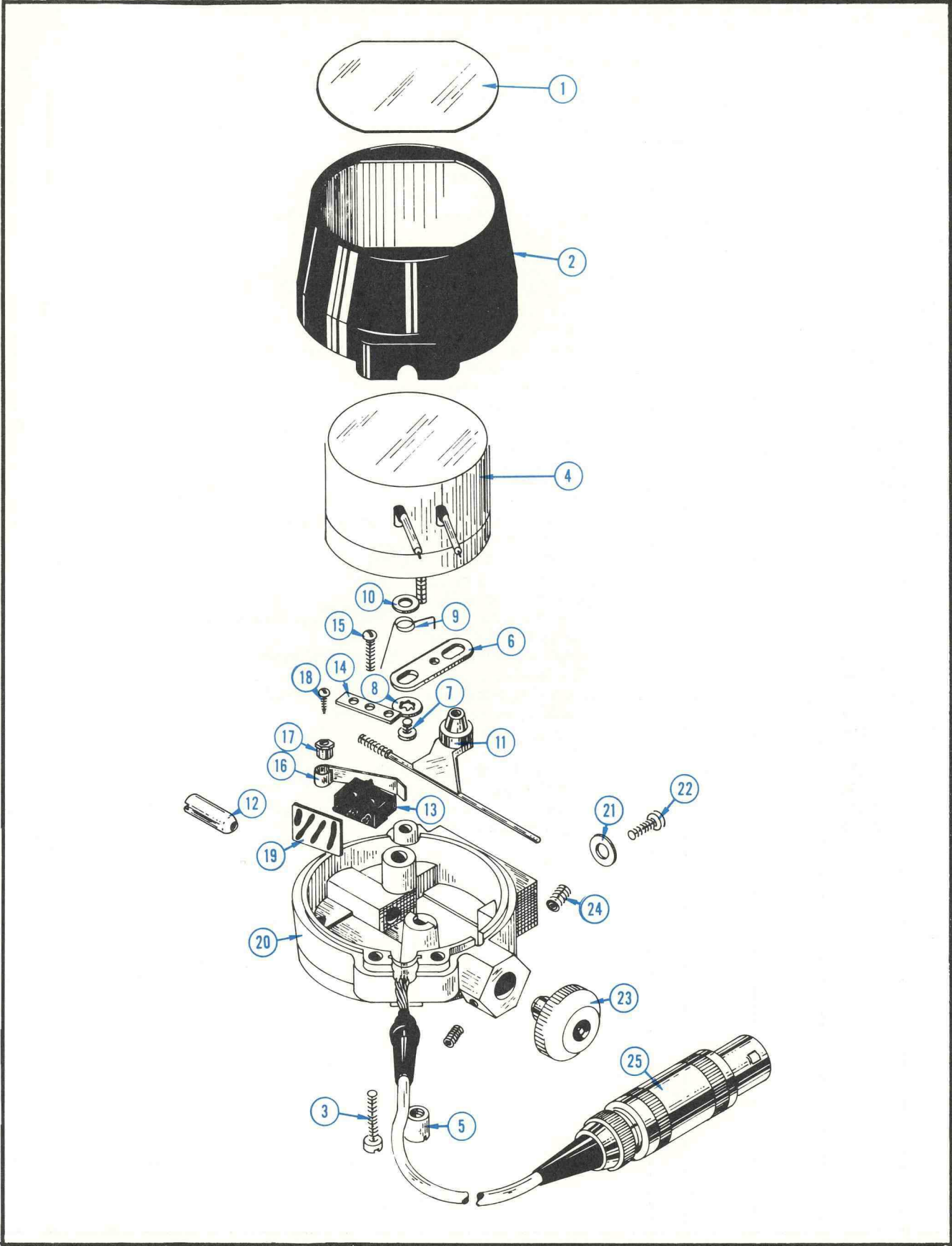


SHUTTER ACTUATOR MODEL 2 ROTARY SOLENOID



SHUTTER ACTUATOR MODEL 2 ROTARY SOLENOID

REF. NO.	PART NO.	SERIAL/MODEL NO.		QTY.	DESCRIPTION
		EFF.	DISC.		
	016-218			1	ASSEMBLY, ROTARY SOLENOID SHUTTER ACTUATOR, 115 V
	016-235			1	ASSEMBLY, ROTARY SOLENOID SHUTTER ACTUATOR, 230 V
	- - - -			-	Each Assembly Includes:
1	334-895			1	TAG, name plate, 115 V
	334-937			1	TAG, name plate, 230 V
2	200-581			1	COVER, rotary solenoid
	- - - -			-	Mounting Hardware: (not included w/cover)
3	211-061			3	SCREW, 4-40 x 1/2 inch, Fil HS
4	- - - -			-	Mounting Hardware: (not included w/solenoid)
5	214-444			2	NUT, securing
6	387-943			1	PLATE, arm actuator
	- - - -			-	Mounting Hardware: (not included w/plate)
7	211-007			1	SCREW, 4-40 x 3/16 inch, BHS
8	210-004			1	LOCKWASHER, internal, #4
9	214-446			1	SPRING, rotary solenoid
10	210-973			1	WASHER, .225 ID x .012 inch, brass
11	214-445			1	PLUNGER, pin assembly
12	214-447			1	PLUNGER, actuator
13	260-612			1	SWITCH, micro
	- - - -			-	Mounting Hardware: (not included w/switch)
14	387-942			1	PLATE, ground
15	211-107			2	SCREW, 1-72 x 5/16 inch, RHS
	210-052			2	WASHER, split, #1
16	214-449			1	SPRING, actuator
	- - - -			-	Mounting Hardware: (not included w/spring)
17	358-240			1	BUSHING, pivot
18	211-107			1	SCREW, 1-72 x 5/16 inch, RHS
19	388-600			1	BOARD, etched circuit
20	426-238			1	HOUSING, solenoid
	- - - -			-	Mounting Hardware: (not included w/housing)
21	210-956			2	WASHER, #4, steel
22	211-098			2	SCREW, 4-40 x 3/8 inch, button head socket
23	214-448			1	NUT, revolving
	- - - -			-	Mounting Hardware: (not included w/nut)
24	213-004			2	SCREW, set, 6-32 x 3/16 inch, HHS
25	175-298			1	ASSEMBLY, cable
	- - - -			-	Includes:
	131-338			1	CONNECTOR, cable, 6 pin
	200-580			1	COVER, cable relief, long
	175-299			FT	CABLE, 7 conductor, twisted (23 inches)
	200-579			1	COVER, cable relief, short