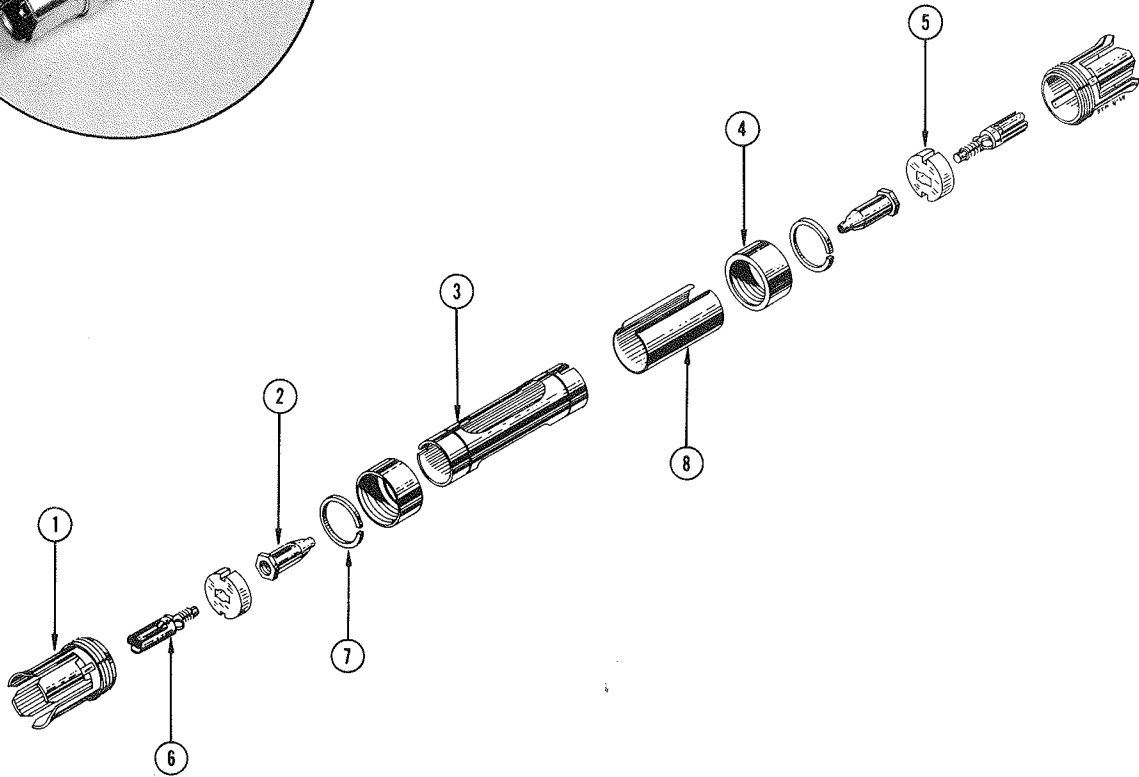
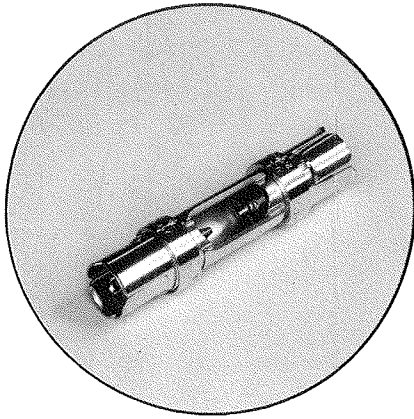


# 50 OHM INSERTION UNIT (Part No. 017-0030-00)



REF. NO.	PART NO.	SERIAL/MODEL NO.		QTY.	DESCRIPTION
		EFF.	DISC.		
1	132-0002-00			2	SLEEVE, conductor, outer
2	132-0027-00			2	INNER TRANSITION
3	132-0074-00			1	SHELL
4	132-0001-00			2	NUT, coupling
5	132-0045-00			2	INSULATOR
6	132-0029-00			2	INNER CONDUCTOR
7	132-0007-00			2	SNAP RING
8	337-0403-00			1	SHIELD

**DATA SHEET NO.**  
062-0160-00  
November 1965  
(Revised)

©, 1964, Tektronix, Inc.,  
All rights reserved.