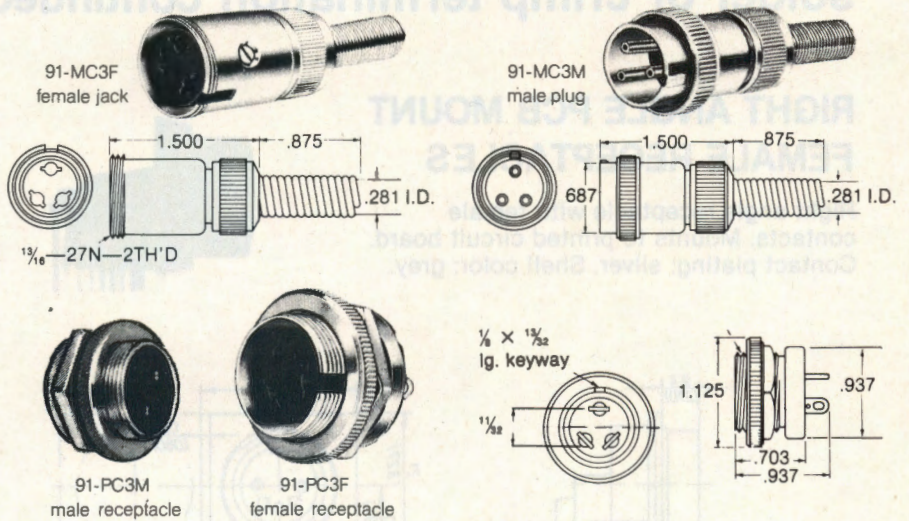


# microphone connectors

## 3, 4 or 6 Contacts

The connectors are designed primarily for audio equipment but are used extensively on all types of portable equipment.

Connectors feature positive screw-type coupling ring connection and squeeze type clamp cable grips.



## SPECIFICATIONS

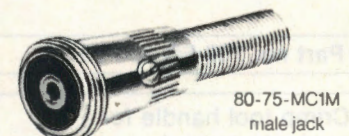
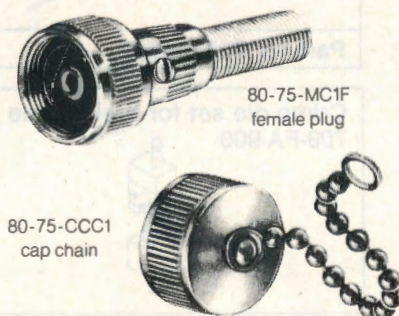
Shells	Chrome plated brass
Dielectric	molded black phenolic
Voltage rating	600 V (RMs)
Current rating	female contacts - 3 amps male contacts - 5 amps
Voltage breakdown (RMS) between terminal and ground	2000 V
Cord protector spring	3 contact - .281" (7.14) I.D. 4-6 contact - .385" (9.78) I.D.
Receptacle mounting hole	27/32" (21.44) up to 1/8" (3.18) thick

## THREADED COUPLING – 3, 4, or 6 CONTACTS

No. Contacts	Description	Amphenol Number	Mates With Amphenol Number
3	Female Cable Jack	91-MC3F	91-MC3M
3	Female Cable Plug	91-MC3F1	91-MC3M1,91-PC3M
3	Male Cable Plug	91-MC3M	91-MC3F,91-PC3F
3	Male Cable Jack	91-MC3M1	91-MC3F1
3	Female Panel Receptacle	91-PC3F	91-MC3M
3	Male Panel Receptacle	91-PC3M	91-MC3F1
4	Female Cable Jack	91-MC4F	91-MC4M
4	Female Cable Plug	91-MC4F1	91-MC4M1,91-PC4M
4	Male Cable Plug	91-MC4M	91-MC4F,91-PC4F
4	Contact #1 in Line with Key	91-MC4M-12	—
4	Male Cable Jack	91-MC4M1	91-MC4F1
4	Female Panel Receptacle	91-PC4F	91-MC4M
4	Contact #1 in Line with Key	91-PC4F-12	—
4	Male Panel Receptacle	91-PC4M	91-MC4F1
6	Female Cable Jack	91-MC6F	91-MC6M
6	Female Cable Plug	91-MC6F1	91-PC6M
6	Male Cable Plug	91-MC6M	91-MC6F,91-PC6F
6	Female Panel Receptacle	91-PC6F	91-MC6M
6	Male Panel Receptacle	91-PC6M	91-MC6F1
—	Cap & Chain for Receptacle	91-CCC3	—
—	Female Insert	91-3F	—
—	Male Insert	91-3M	—

## Single Contact

Standard type. Chrome plated machined brass with threaded coupling. Receptacles mount in .385" (9.78) holes when grounded; .500" (12.70) holes for ungrounded two circuit operation. Spring cord protection for 1/4" (6.35) cable.



## SINGLE CONTACT

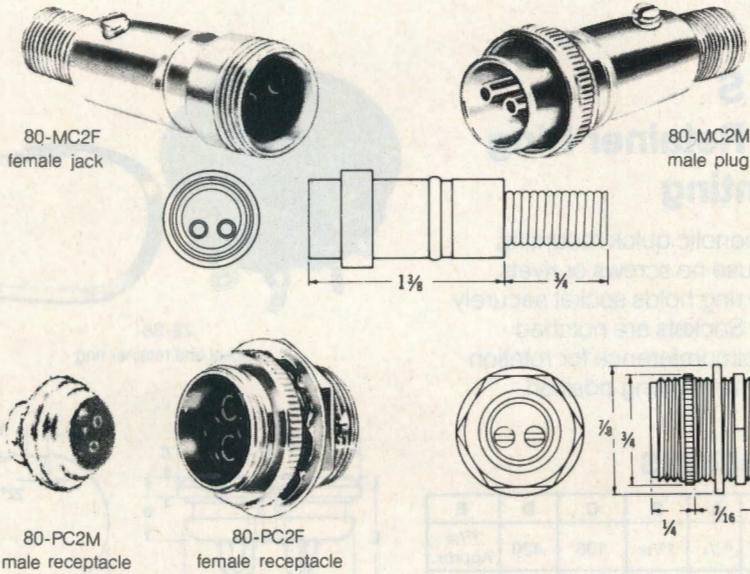
Description	Amphenol Number
Straight Plug	80-75-MC1F
Cable Jack	80-75-MC1M
Cap & Chain	80-75-CCC1



## microphone connectors continued

### Single and Double Contact

Chrome plated machined brass shells with threaded coupling and black phenolic dielectric. For shielded cables, single and two conductor cables, etc. Mounting hole  $\frac{5}{8}$ " (15.88). Maximum chassis thickness for lock nut type receptacle:  $1\frac{11}{32}$ " (8.74). Cable dia: up to  $\frac{5}{16}$ " (7.92).



### SPECIFICATIONS

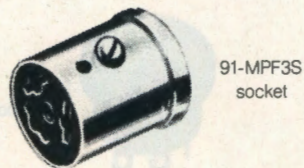
Voltage/current rating-single contact:	Male-1250 V, 5 amps Female-1000 V, 3 amps
Double contact:	Male-600 V, 3 amps Female-600 V, 3 amps
Voltage breakdown between terminals and ground	Single contact male-4000 V Female-3000 V Double contact male-2000 V Female-2000 V

### THREADED COUPLING – 1 or 2 CONTACTS

Contacts	Description	Amphenol Number	Mates With
1	Male Cable Plug	80-M	80-C
1	Female Panel Receptacle	80-C	80-M
2	Male Cable Plug	80-MC2M	80-MC2F or 80-PC2F
2	Female Cable Plug	80-MC2F1	80-PC2M or 80-MC2M1
2	Female Cable Jack	80-MC2F	80-MC2M
2	Male Cable Jack	80-MC2M1	80-MC2F1
2	Female Panel Receptacle	80-PC2F	80-MC2M
2	Male Panel Receptacle	80-PC2M	80-MC2F1
—	Female Insert	80-2F	—
—	Male Insert	80-2M	—
—	Cap & Chain for Receptacle	80-75-CCC1	—

### Miniature Connectors

Compact connectors for shielded or unshielded cables. Can be used for battery antenna or microphone applications



91-MPF3S socket



91-MPM3S plug

### SPECIFICATIONS

Shells	Cadmium plated brass
Dielectric	Black phenolic
Cable diameter	up to $\frac{1}{4}$ " (6.35)
Voltage rating	500 V, 3 amps

### CABLE SOCKETS

No. Contacts	Sockets $\frac{13}{16}$ " Long Shell	Mating Plugs $\frac{13}{16}$ " Long Shell
3	91-MPF3S	91-MPM3S
4	91-MPF4S	91-MPM4S
5	91-MPF5S	91-MPM5S
6	91-MPF6S	91-MPM6S

### CABLE PLUGS

No. Contacts	Plugs $\frac{13}{16}$ " Long Shell	Mating Socket	
		Cable Socket $\frac{13}{16}$ " Shell	Chassis Unshielded
3	91-MPM3S	91-MPF3S	78-S3S
4	91-MPM4S	91-MPF4S	—
5	91-MPM5S	91-MPF5S	—
6	91-MPM6S	91-MPF6S	78-S6S