

# INSTRUCTIONS

## K213

### LAB INSTRUMENT CART

#### INTRODUCTION

The TEKTRONIX K213 Lab Instrument Cart, a member of the TEKTRONIX SCOPE-MOBILE<sup>®</sup> cart family, is designed for large three and four plug-in oscilloscopes, TM500 and TM5000 instruments, Curve Tracer instruments, and some display monitors. The top tray will also accommodate various combination-instrument systems. Features include a drawer with provision for padlock, four locking castors, a power strip, a removable lock-down bar on the top tray, a safety belt, and a configurable shelf.

The following information provides setups and descriptions of the K213 and its features, instructions, optional accessories and options, and application and safety suggestions. Please read all instructions and suggestions completely before using the cart.

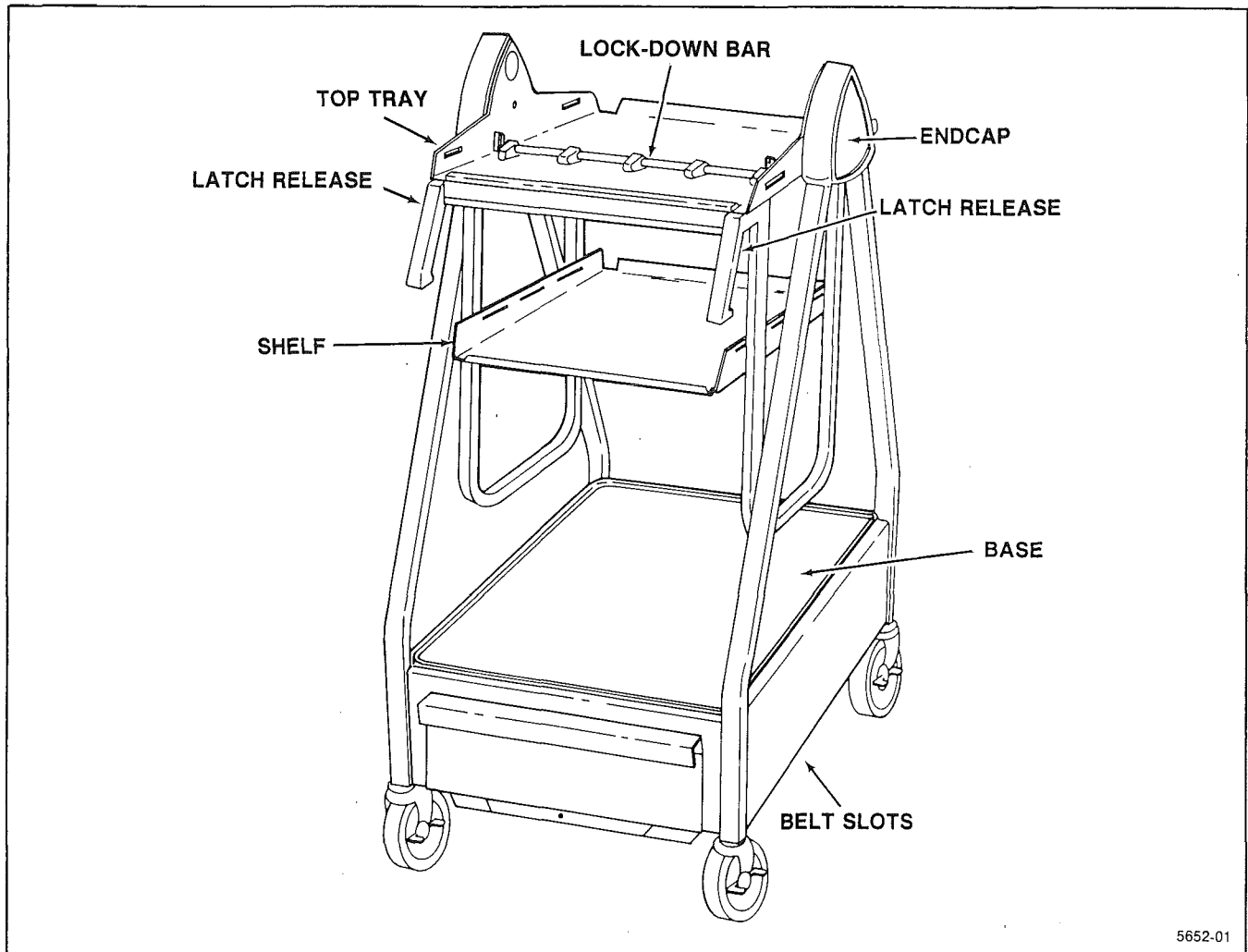


Figure 1. The K213 Lab Instrument Cart.

## DESCRIPTIONS AND SETUP ASSEMBLY

### Top Tray and Shelf Positioning

The top tray and shelf can be rotated to any of eight positions, which are attainable by grasping the handles on each side of the front of the top tray, and using your index fingers to pull both latch releases simultaneously. Top-tray pivoting may be tightened by removing the two end-caps (one screw each side, through the holes in the top tray), and tightening the nuts.

#### NOTE

*The required configuration of the foot retainers, safety belt, centering plate, and retaining bar depends on the shape of the instrument's feet, weight, weight distribution, and size.*

### Foot Retainers

The foot retainers may be used at the front or back of the instrument, and on either the top tray or shelves. The retainers provide the best security when used in conjunction with the retaining bar (optional) and the safety belt. The use of the retaining bar is described in "OPTIONAL ACCESSORIES".

### Safety Belt

The safety belt (refer to Figure 2), is used to securely hold an instrument on the top tray, a shelf, or the base (which has slots underneath). Additional belts are available as accessories. To install:

1. Attach the belt hook to the cart.
2. Lay the belt across the instrument and attach the buckle to the cart. The buckle-hook should be in position A for top tray and shelf, position B for the base of the cart. (To achieve position B, loosen the screw, rotate the buckle-hook, retighten the screw).
3. Thread the belt through the Levers as shown. Remove any slack from the belt. Hold the end taut and rotate the levers down and toward the instrument until the levers snap closed.

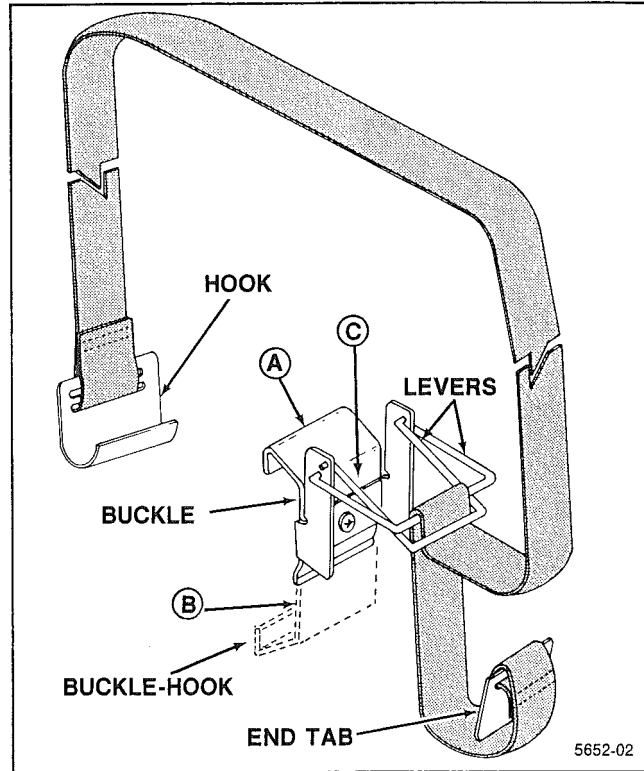


Figure 2. The K213 safety belt.

4. Using the belt end tab, roll up excess belting and insert behind the closed levers (C).

### Lock-Down Bar

The lock-down bar is designed to be used with the 7000 Series Oscilloscopes, which come equipped with notched retainers attached to the bottom. Place the bar lever in the OPEN position, then set the oscilloscope on the top tray so that the notched retainers fit over the lock-down bar. To secure the oscilloscope to the cart, turn the lock-down bar lever to the opposite position. If the bar is not usable in your particular application, it is easily removed.

### Centering Plate

The centering plate is used for TM500 Instruments (up through those which accommodate four plug-ins), and some display monitors. The centering plate also accommodates older instruments having round feet. Installation is illustrated in Figure 6 and in the "REPLACEABLE PARTS" section. Additional plates may be ordered by part number if needed.

**Shelf**

The shelf can be secured in any of 10 positions. Simply remove the screws which secure it to the frame, and remount the shelf in the desired position. The shelf is designed to accommodate all belts, feet, retaining bar and centering plate accessories supplied with the cart or available as optional accessories. Configurations for shelves,

including optional shelving, are more fully described under "APPLICATION AND SAFETY RECOMMENDATIONS".

**Power Strip**

The power strip is UL approved, fully grounded, and comes complete with a 15-foot power cord.

**OPTIONAL ACCESSORIES**

Part numbers for ordering optional accessories are located in the "REPLACEABLE PARTS" section at the back of this Instruction Sheet. (Options and Optional Accessories are also retrofitable to the Model 3 Instrument Cart.)

**Safety Belts**

Safety belts are available in two lengths, 42 inches (the same as that supplied as original equipment), and 57 inches. They are identical in operation to the belt supplied with your cart.

**Additional Shelves**

Additional shelves, which are the same as the shelf on the standard equipped cart, are available as customer installed accessories. Each shelf kit includes instructions, mounting hardware, and instrument-mounting hardware (including a centering plate).

**Retaining Bar**

A 0.75-inch wide, 11.5-inch long, U-shaped retaining bar is available as a customer-installed option. The bar comes complete with hardware for securing it to the front or back of a tray or shelf to retain the feet of various width instruments. (The lock-down bar will usually need to be removed when using the retaining bar.)

**Keyboard Drawer**

The keyboard drawer is usually installed as an option on initial order. It is available in kit form, complete with assembly instructions, for carts previously purchased (refer to "Option 10").

**Plug-In Storage**

The plug-in storage module is usually installed as an option on initial order. It is available in kit form, complete with assembly instructions, for carts previously purchased (refer to "Option 10").

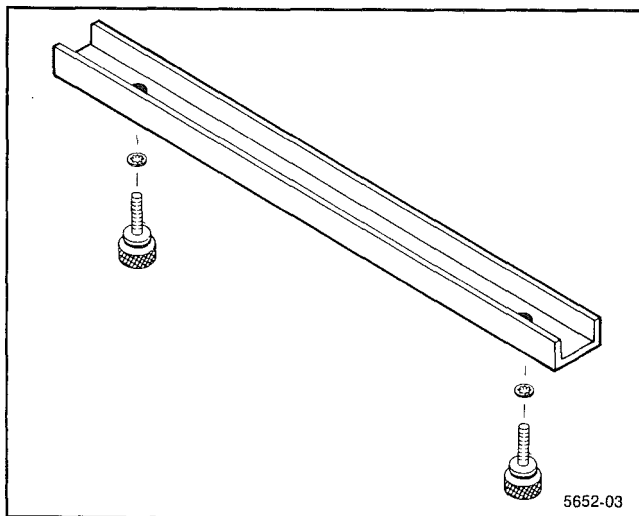


Figure 3. The optional retaining bar.

**OPTIONS**

**Option 05**

The power strip may be deleted when not needed or when it does not meet power supply voltages (such as for international uses). Power strips for voltages other than 117V are not available.

**Option 10**

A sliding drawer, designed specifically to accommodate the 7854 Oscilloscope keyboard, mounts directly under the top tray. The drawer slides into the cabinet for storage when not in use.

## K213 LAB INSTRUMENT CART

### Option 12

A compartment for storing plug-ins not in use is available as a factory-installed option, and comes installed on top of a shelf. The compartment comes with two sets of guides, which adapt the unit to fit 5000 or 7000 Series plug-ins.

### Option 22

Option 22 allows a customer to have both Options 10 and 12 initially installed when ordering a cart.

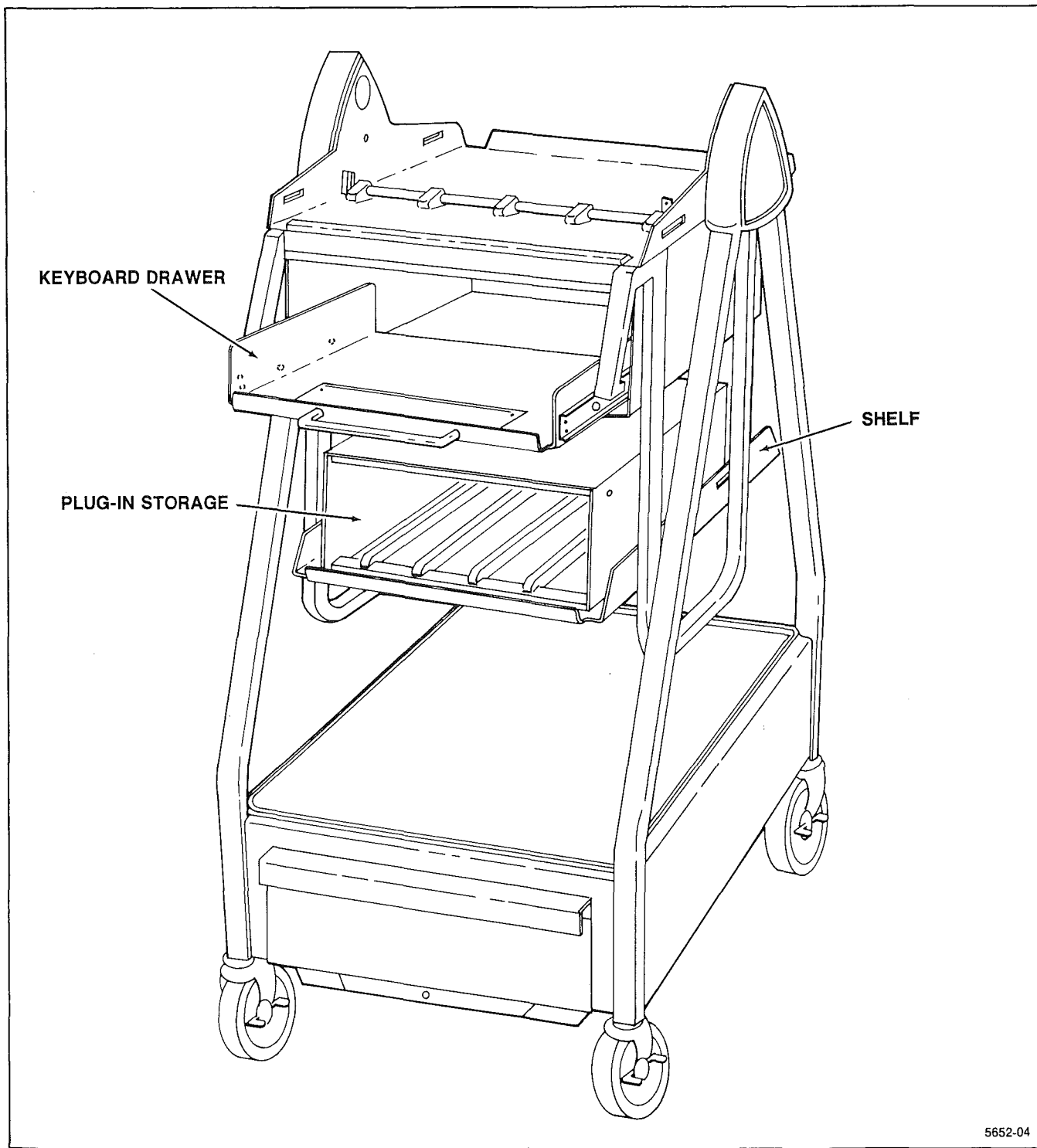


Figure 4. The K213 Cart with Option 22.

## LOADING AND SAFETY RECOMMENDATIONS

### Cart Loading and Stability

The cart will be most stable when as much weight as possible is located near the bottom of the cart. Instruments placed on the top tray or shelves (except for those which are secured by the hold-down bar) should always be safety-strapped to the cart to prevent damage by falling or shifting.

MAXIMUM LOAD FOR THE TOP TRAY IS 75 POUNDS.

MAXIMUM HEIGHT FOR A TOP-TRAY LOAD IS 15 INCHES.

Use caution on inclines when only the top tray is loaded at or near maximum weight.

MAXIMUM LENGTH FOR LOADS ON SHELVES IS 20 INCHES.

MAXIMUM LOWER DRAWER LOAD IS 25 POUNDS.

MAXIMUM CART LOAD SHOULD NEVER EXCEED 170 POUNDS.

### Power Strip

The power strip is UL approved and fully grounded. Always use a power source that includes a grounded connector. The power strip is designed for a maximum of 15 amps and 125 volts (117 volts nominal).

### Safety Belts

Safety belts should always be used to hold down equipment (except those that are secured by the hold-down bar). Extra safety belts are available as optional accessories.

### Configuration

The K213 has been designed so that the customer may configure the cart's standard and optional features in the most convenient position for a particular application. The plug-in storage unit, for example, may be mounted on the top tray or on any shelf (excluding the base), or to the framework using two brackets (supplied). Up to ten positions are provided for mounting shelves, although the maximum number of shelves which can be mounted at one time is five. (If five shelves are installed, there will be approximately two inches of usable space between each shelf.) Your local Tektronix Sales Office can assist you with making the proper choice for your application.

## OPTIONAL ACCESSORY INSTALLATION PROCEDURES

### Keyboard Drawer

1. Remove the four lower screws from the upper portion of the framework below the top tray (refer to Figure 5).

2. Carefully (to avoid scratches) slide the keyboard drawer assembly into the framework. Reinstall the four screws (previously removed) through the sides of the drawer assembly into the framework.

3. Operate the drawer several times to check that it operates without binding. (Should binding occur, loosen the mounting screws, realign the shelf, and retighten.)

4. Open the drawer to the full-out-and-locked position. Set the keyboard into the bracket on the bottom of the drawer to prevent it from moving during use.

5. Route the keyboard cable out through the back of the drawer assembly and connect it to the 7854 connector labeled "EXTERNAL KEYBOARD."

6. Release the drawer latches and operate the drawer while checking for proper keyboard-cable clearance.

### Plug-in Storage

1. The plug-in storage unit can be installed on the top of any shelf (except for the base) by securing it to a shelf with the nuts and bolts supplied, or:

2. The two brackets (provided) may be attached to the framework in the same manner as a shelf. The plug-in storage unit can then be attached to the brackets in the same way in which it would be attached to a shelf (refer to the "REPLACEABLE PARTS" illustration).

3. Select the guide (red for 5000 Series, black for 7000 Series), for the plug-ins to be stored, and install by pressing them into the holes provided on the inside, top of the storage unit.

### Additional Shelves

Additional shelves are installed by inserting four self-tapping screws through the sides of the shelf into the framework in the same manner as the original shelf is installed (refer to Figure 6 and "REPLACEABLE PARTS").

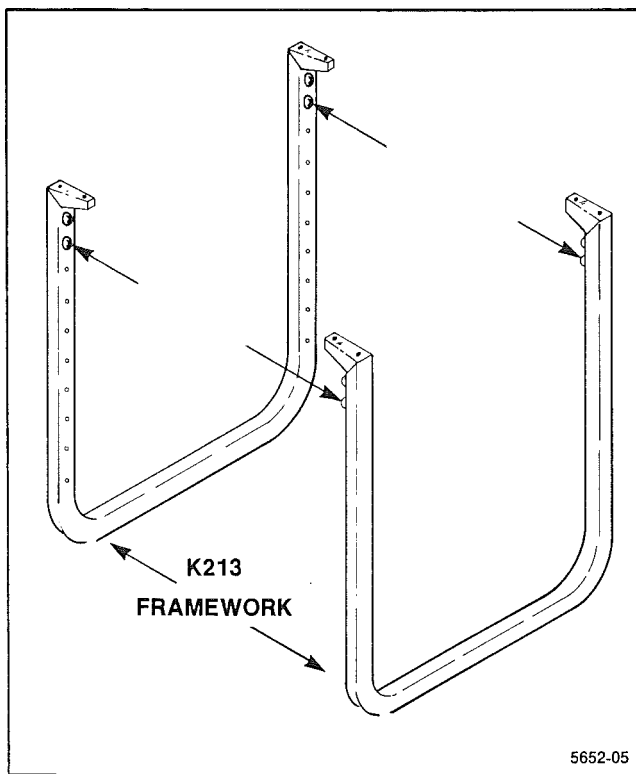


Figure 5. Keyboard drawer mounting positions.

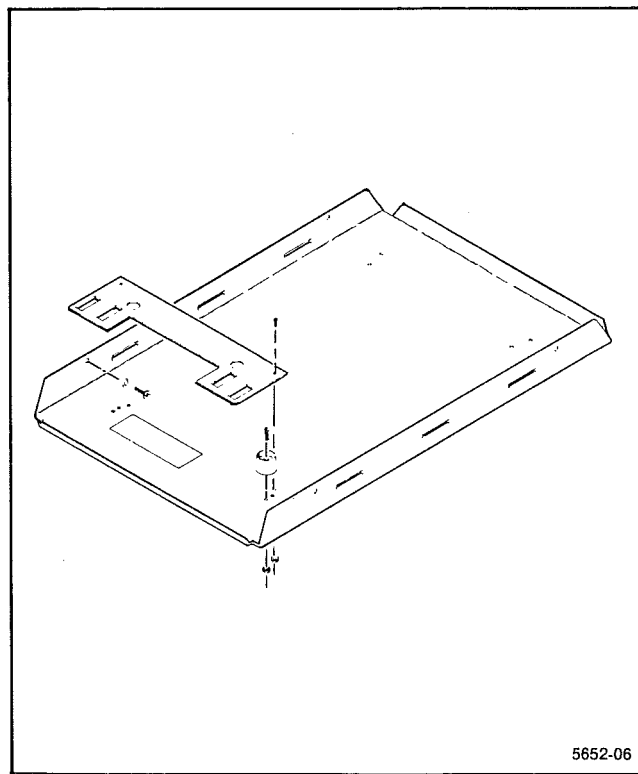


Figure 6. Shelf and instrument-mounting hardware.

## CROSS INDEX - MFR. CODE NUMBER TO MANUFACTURER

Mfr. Code	Manufacturer	Address	City, State, Zip Code
04375	AJAX HARDWARE CORPORATION	825 S AJAX AVENUE	CITY OF INDUSTRY, CA 91749
12327	FREEMAY CORP	9301 ALLEN DR	CLEVELAND OH 44125
21672	AXIA INC FAULTLESS DIV	1421 N GARVIN ST	EVANSVILLE IN 47717
22012	SL INDUSTRIES INC SL HABER ELECTRIC DIV	300 HARVARD AVE	WESTVILLE NJ 08093
53387	MINNESOTA MINING AND MFG CO ELECTRONIC PRODUCTS DIV	3M CENTER	ST PAUL MN 55101
73743	FISCHER SPECIAL MFG CO	446 MORGAN ST	CINCINNATI OH 45206
78189	ILLINOIS TOOL WORKS INC SHAKEPROOF DIVISION	ST CHARLES ROAD	ELGIN IL 60120
80009	TEKTRONIX INC	4900 S W GRIFFITH DR P O BOX 500	BEAVERTON OR 97077
83385	MICRODOT MANUFACTURING INC GREER-CENTRAL DIV	3221 W BIG BEAVER RD	TROY MI 48098
83486	ELCO INDUSTRIES INC	1101 SAMUELSON RD	ROCKFORD IL 61101
93907	TEXTRON INC CAMCAR DIV	600 18TH AVE	ROCKFORD IL 61101
TK0413	ADAMS SUPPLY COMPANY	1850 W 205TH STREET P O BOX 2938	TORRANCE CA 90509
TK0435	LENIS SCREW CO	4114 S PEORIA	CHICAGO IL 60609
TK1543	CAMCAR/TEXTRON	516 18TH AVE	ROCKFORD IL 61101

## K213 LAB INSTRUMENT CART

Fig. & Index No.	Tektronix Part No.	Serial/Assembly No.		Qty	12345	Name & Description	Mfr.	
		Effective	Dscont				Code	Mfr. Part No.
7-1	213-0016-00			8		SCREW,TPG,TC:8-32 X 0.5,TYPE T,FLH,STL	93907	ORDER BY DESCR
-2	210-0540-00			2		NUT,PLAIN,HEX:0.312-18 X 0.5 STL CD PL	TK0413	ORDER BY DESCR
-3	214-0174-04			2		BOLT,SQUARE NK:0.312-18 X 0.950,FLH,SST	80009	214-0174-04
-4	210-0922-00			2		WASHER,FLAT:0.75 ID X 1.125 OD X 0.32,NYL	80009	210-0922-00
-5	210-0922-01			2		WASHER,FLAT:1.5 OD X 0.49 ID X 0.157	80009	210-0922-01
-6	367-0312-00			2		HANDLE,LATCH:PLASTIC (ATTACHING PARTS)	80009	367-0312-00
-7	212-0146-00			4		SCREW,MACHINE:8-32 X 0.625 L,FLH,100 DEG	83486	ORDER BY DESCR
-8	210-0409-00			4		NUT,PLAIN,HEX:8-32 X 0.312,BRS CD PL (END ATTACHING PARTS)	73743	3046-402
-9	436-0198-00			1		STRIP,TRIM ASSY:	80009	436-0198-00
-10	211-0512-00			3		SCREW,MACHINE:6-32 X 0.5,FLH,100 DEG,STL (END ATTACHING PARTS)	TK0435	ORDER BY DESCR
-11	214-2432-00			2		TRIG,LCH RLSE:LAB CART (ATTACHING PARTS)	80009	214-2432-00
-12	211-0522-00			2		SCREW,MACHINE:6-32 X 0.625,FLH,100 DEG,STL (END ATTACHING PARTS)	TK0435	ORDER BY DESCR
-13	381-0375-00			1		BAR,CROSS,LATCH:TRAY ADJUSTMENT,STEEL (ATTACHING PARTS)	80009	381-0375-00
-14	214-2437-00			1		PIN,GRVD,HEADED:0.437 L,STEEL	80009	214-2437-00
-15	354-0115-00			1		RING,RETAINING:EXT,U/O 0.13 DIA SHAFT (END ATTACHING PARTS)	80009	354-0115-00
-16	381-0374-00			1		BAR,LATCH:TRAY ADJUSTMENT,STEEL (ATTACHING PARTS)	80009	381-0374-00
-17	129-0061-00			1		PIN,GRVD,HEADED:0.375 DIA X 0.625 L,STL,NP	80009	129-0061-00
-18	354-0115-00			1		RING,RETAINING:EXT,U/O 0.13 DIA SHAFT (END ATTACHING PARTS)	80009	354-0115-00
-19	214-0185-00			1		SPRING,HLEXT:0.375 OD X 2.215,SPR STL CD PL	83385	ORDER BY DESCR
-20	214-2428-00			2		LATCH,SLIDING:TRAY ADJUSTABLE	80009	214-2428-00
-21	387-0397-00			2		PLATE,BELL CRK: (ATTACHING PARTS)	80009	387-0397-00
-22	354-0115-00			2		RING,RETAINING:EXT,U/O 0.13 DIA SHAFT (END ATTACHING PARTS)	80009	354-0115-00
-23	214-1306-00			2		LEVER,HLDN RLSE:PLASTIC (ATTACHING PARTS)	80009	214-1306-00
-24	211-0504-00			2		SCREW,MACHINE:6-32 X 0.250,PNH,STL	TK0435	ORDER BY DESCR
-25	210-0803-00			2		WASHER,FLAT:0.15 ID X 0.375 OD X 0.032,STL (END ATTACHING PARTS)	12327	ORDER BY DESCR
-26	343-0255-00			1		HOLD-DOWN,INST:13.44 L,AL ANODIZED (ATTACHING PARTS)	80009	343-0255-00
-27	391-0084-00			5		BLOCK,SECURING:BLUE PLSTC,1.75 X 0.5 X 0.79 (ATTACHING PARTS)	80009	391-0084-00
-28	212-0091-00			10		SCREW,MACHINE:8-32 X 0.625,FILH,STL (END ATTACHING PARTS)	93907	ORDER BY DESCR
-29	344-0196-00			1		CLIP,SPR TNSN:SHAFT CU BE	80009	344-0196-00
-30	334-1434-01			2		MARKER,IDENT:MKD OPEN	80009	334-1434-01
-31	381-0190-00			2		STOP,DWR,DLY:1.25 X 0.5 X 0.375,ZAMAK (ATTACHING PARTS)	80009	381-0190-00
-32	212-0039-00			2		SCREW,MACHINE:8-32 X 0.375,TRH,STL (END ATTACHING PARTS)	83385	ORDER BY DESCR
-33	436-0133-03			1		TRAY,TSTEQ DLY:TOP W/HARDWARE	80009	436-0133-03
-34	334-2966-02			1		MARKER,IDENT:MKD CAUTION,TOP TRAY	80009	334-2966-02
-35	436-0132-00			1		TRAY,TSTEQ DLY:ADJUSTABLE (ATTACHING PARTS)	80009	436-0132-00
-36	213-0820-00			4		SCREW,TPG,TF:8-32 X 0.5,TAPTITE,PNH,STL (END ATTACHING PARTS)	TK1543	835-03480
-37	386-3556-01			4		SPRT,TRAY SPRT: (ATTACHING PARTS)	80009	386-3556-01
-38	212-0087-00			8		SCREW,TPG,TC:8-32 X 0.375,TYPE T,TRH,STL (END ATTACHING PARTS)	TK0435	ORDER BY DESCR
-39	386-3557-00			2		SUPPORT,TRAY:LAB CART,ADJUSTABLE	80009	386-3557-00
-40	334-2967-02			1		MARKER,IDENT:MKD CAUTION,ADJ TRAY	80009	334-2967-02
-41	644-0127-00			1		POWER PACK ASSY: (ATTACHING PARTS)	80009	644-0127-00
-42	212-0070-00			2		SCREW,MACHINE:8-32 X 0.312,FLH,100 DEG,STL (END ATTACHING PARTS) POWER PACK ASSEMBLY INCLUDES:	TK0435	ORDER BY DESCR



Fig. & Index No.	Tektronix Part No.	Serial/Assembly No.		Qty	12345	Name & Description	Mfr.		
		Effective	Dscont				Code	Mfr. Part No.	
7-43	131-1899-00			1		.CABLE ASSY,PWR,:FEM,130V,15A,M/CB (ATTACHING PARTS)	22012	XUL603-018	
-44	211-0504-00			2		.SCREW,MACHINE:6-32 X 0.250,PNH,STL	TK0435	ORDER BY DESCR	
-45	210-0457-00			2		.NUT,PL,ASSEM WA:6-32 X 0.312,STL CD PL (END ATTACHING PARTS)	78189	511-061800-00	
-46	386-3555-01			1		.SPRT,PWR STRIP:REAR	80009	386-3555-01	
-47	436-0192-00			2		LEG ASSEMBLY:	80009	436-0192-00	
-48	436-0199-00			1		DRAWER ASSY:	80009	436-0199-00	
-49	343-0419-00			4		RTNR,CAB.FOOT:ACETAL TEK BLUE (ATTACHING PARTS)	80009	343-0419-00	
-50	211-0522-00			4		SCREW,MACHINE:6-32 X 0.625,FLH,100 DEG,STL	TK0435	ORDER BY DESCR	
-51	210-0457-00			4		NUT,PL,ASSEM WA:6-32 X 0.312,STL CD PL (END ATTACHING PARTS)	78189	511-061800-00	
-52	436-0136-05			1		SHELF,CART:M/HARDWARE & PLASTIC SHEET	80009	436-0136-05	
-53	200-1577-03			2		COVER,TRUNNION:PLASTIC (ATTACHING PARTS)	80009	200-1577-03	
-54	212-0507-00			2		SCREW,MACHINE:10-32 X 0.375,PNH,STL (END ATTACHING PARTS)	TK0435	ORDER BY DESCR	
-55	252-0684-00			1		FSTNR TAPE,PILE:1.0 M,NYLON,M/ADH BACK	53387	SJ3527	
-56	252-0683-00			1		FSTNR TAPE,HOK:1.0 M,NYLON,M/ADH BACK	80009	252-0683-00	
-57	200-1966-00			1		COVER,CONTACT:LAB CART (ATTACHING PARTS)	80009	200-1966-00	
-58	212-0087-00			4		SCREW,TPG,TC:8-32 X 0.375,TYPE T,TRH,STL (END ATTACHING PARTS)	TK0435	ORDER BY DESCR	
-59	401-0356-00			4		CASTER,SMIVEL:M/LOCK (ATTACHING PARTS)	21672	29873	
-60	213-0052-00			8		SCR,ASSEM WSHR:0.25-20 X 1.0,HEX HD,STL	83385	ORDER BY DESCR	
-61	343-0634-00			4		CLAMP,LEG SECRG:STEEL (END ATTACHING PARTS)	80009	343-0634-00	
-62	650-0160-00			1		MECHANICAL KIT:M/CENTERING PLATE & HDW	80009	650-0160-00	
STANDARD ACCESSORIES									
	346-0136-01			1		STRAP,WEBBING:SCOPE CART M/BUCKLE,NYLON	80009	346-0136-01	
	070-5652-00			1		SHEET,TECHNICAL:INSTR,K213	80009	070-5652-00	
OPTIONAL ACCESSORIES									
	346-0156-01			1		STRAP,WEBBING:SCOPE CART M/BUCKLE,NYLON	80009	346-0156-01	
	436-0132-01			1		SHELF,TSTEQ DLY:M/MOUNTING SCREWS (SEE FIGURE 2)	80009	436-0132-01	
	436-0197-00			1		KYBD DMR ASSY: (OPTION 10, SEE FIGURE 2)	80009	436-0197-00	
	436-0196-00			1		PLUG-IN STOR AS: (OPTION 12, SEE FIGURE 2)	80009	436-0196-00	
	650-1881-00			1		BAR,RETAINING:M/HARDWARE	80009	650-1881-00	

NOTE: OPTION 22 COMBINES OPT 10 AND OPT 12

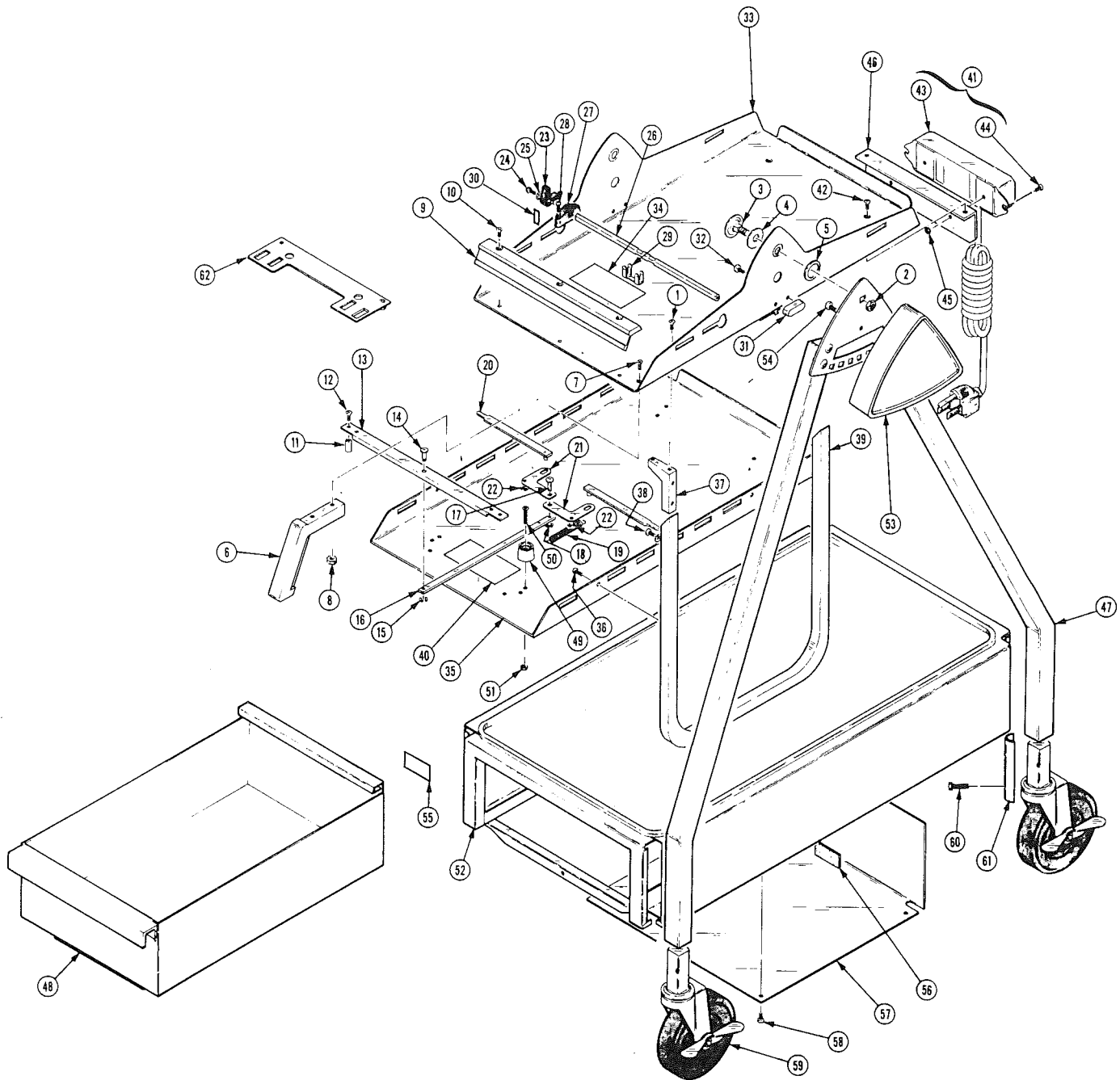


FIGURE 7. K213

Fig. & Index No.	Tektronix Part No.	Serial/Assembly No. Effective Dscont	Qty	12345	Name & Description	Mfr. Code	Mfr. Part No.
8-	-----		1		OPTION 10, KEYBOARD DRAWER ASSEMBLY		
-1	380-0806-00		1		HOUSING, DRAWER: LEFT (ATTACHING PARTS)	80009	380-0806-00
-2	212-0068-00		2		SCREW, MACHINE: 8-32 X 0.312, TRH, STL (END ATTACHING PARTS)	TK0435	ORDER BY DESCR
-3	367-0075-00		1		HANDLE, BOW: 3.906 L, BRS NP (ATTACHING PARTS)	80009	367-0075-00
-4	212-0039-00		2		SCREW, MACHINE: 8-32 X 0.375, TRH, STL (END ATTACHING PARTS)	83385	ORDER BY DESCR
-5	386-1044-01		1		PLATE, RETAINER: KEYBOARD (ATTACHING PARTS)	80009	386-1044-01
-6	211-0507-00		4		SCREW, MACHINE: 6-32 X 0.312, PNH, STL	83385	ORDER BY DESCR
-7	210-0457-00		4		NUT, PL, ASSEM MA: 6-32 X 0.312, STL CD PL (END ATTACHING PARTS)	78189	511-061800-00
-8	436-0195-00		1		DRAWER, CART: ALUMINUM	80009	436-0195-00
-9	334-6470-00		1		MARKER, IDENT: MKD DRAWER RELEASE	80009	334-6470-00
-10	351-0768-00		2		GUIDE, DRAWER: 12.0 L, W/LOCK (ATTACHING PARTS)	80009	351-0768-00
-11	212-0101-00		6		SCREW, CAP: 8-32 X 0.375, BTN HD, STL	TK0428	ORDER BY DESCR
-12	210-0458-00		6		NUT, PL, ASSEM MA: 8-32 X 0.344, STL CD PL (END ATTACHING PARTS)	78189	511-081800-00
-13	406-0736-01		1		BRACKET, XFMR: MAGNET, STEEL (ATTACHING PARTS)	80009	406-0736-01
-14	212-0087-00		2		SCREW, TPG, TC: 8-32 X 0.375, TYPE T, TRH, STL (END ATTACHING PARTS)	TK0435	ORDER BY DESCR
-15	214-0146-00		1		CATCH, MAGNETIC: (ATTACHING PARTS)	04375	30-27-45-51
-16	211-0507-00		2		SCREW, MACHINE: 6-32 X 0.312, PNH, STL (END ATTACHING PARTS)	83385	ORDER BY DESCR
-17	407-3454-00		1		BRACKET, DRAWER: STOP (ATTACHING PARTS)	80009	407-3454-00
-18	212-0039-00		2		SCREW, MACHINE: 8-32 X 0.375, TRH, STL (END ATTACHING PARTS)	83385	ORDER BY DESCR
-19	351-0767-00		2		SPACER, BAR: 14.625, ALUMINUM (ATTACHING PARTS)	80009	351-0767-00
-20	212-0039-00		6		SCREW, MACHINE: 8-32 X 0.375, TRH, STL (END ATTACHING PARTS)	83385	ORDER BY DESCR
-21	380-0805-00		1		HOUSING, DRAWER: RIGHT (ATTACHING PARTS)	80009	380-0805-00
-22	212-0068-00		2		SCREW, MACHINE: 8-32 X 0.312, TRH, STL (END ATTACHING PARTS)	TK0435	ORDER BY DESCR
					THE FOLLOWING HARDWARE WILL ATTACH THE KEYBOARD DRAWER ASSEMBLY TO THE CART FRAME.		
	213-0757-00		4		SCREW, TPG, TC: 8-32 X 0.2, TRH, TYPE T, STL	83385	ORDER BY DESCR
	210-0007-00		4		WASHER, LOCK: #8 EXT, 0.02 THK, STL	78189	1108-00-00-0541C
	-----		1		OPTION 12, PLUG-IN SHELF		
-23	437-0239-00		1		CAB., PL-IN UNIT: (ATTACHING PARTS)	80009	437-0239-00
-24	211-0512-00		4		SCREW, MACHINE: 6-32 X 0.5, FLH, 100 DEG, STL	TK0435	ORDER BY DESCR
-25	210-0457-00		4		NUT, PL, ASSEM MA: 6-32 X 0.312, STL CD PL (END ATTACHING PARTS)	78189	511-061800-00
-26	351-0181-06		4		GUIDE, SLIDE: PLUG-IN UNIT, LWR, BLK NYLON (ATTACHING PARTS)	80009	351-0181-06
-27	213-0104-00		8		SCREW, TPG, TF: 6-20 X 0.375, TYPE 8, TRH, STL (END ATTACHING PARTS)	TK0435	1491-302
-28	351-0306-00		4		GUIDE, PL-IN UNI: UPPER, DELRIN	80009	351-0306-00
	351-0310-00		4		GUIDE, PL-IN UNI: UPPER, BLACK DELRIN	80009	351-0310-00
-29	407-2115-00		2		BRACKET, SUPPORT: CABINET, ALUMINUM (ATTACHING PARTS)	80009	407-2115-00
-30	213-0820-00		4		SCREW, TPG, TF: 8-32 X 0.5, TAPTITE, PNH, STL (END ATTACHING PARTS)	TK1543	835-03480
-31	-----		1		SHELF, TEST EQUIPMENT:		

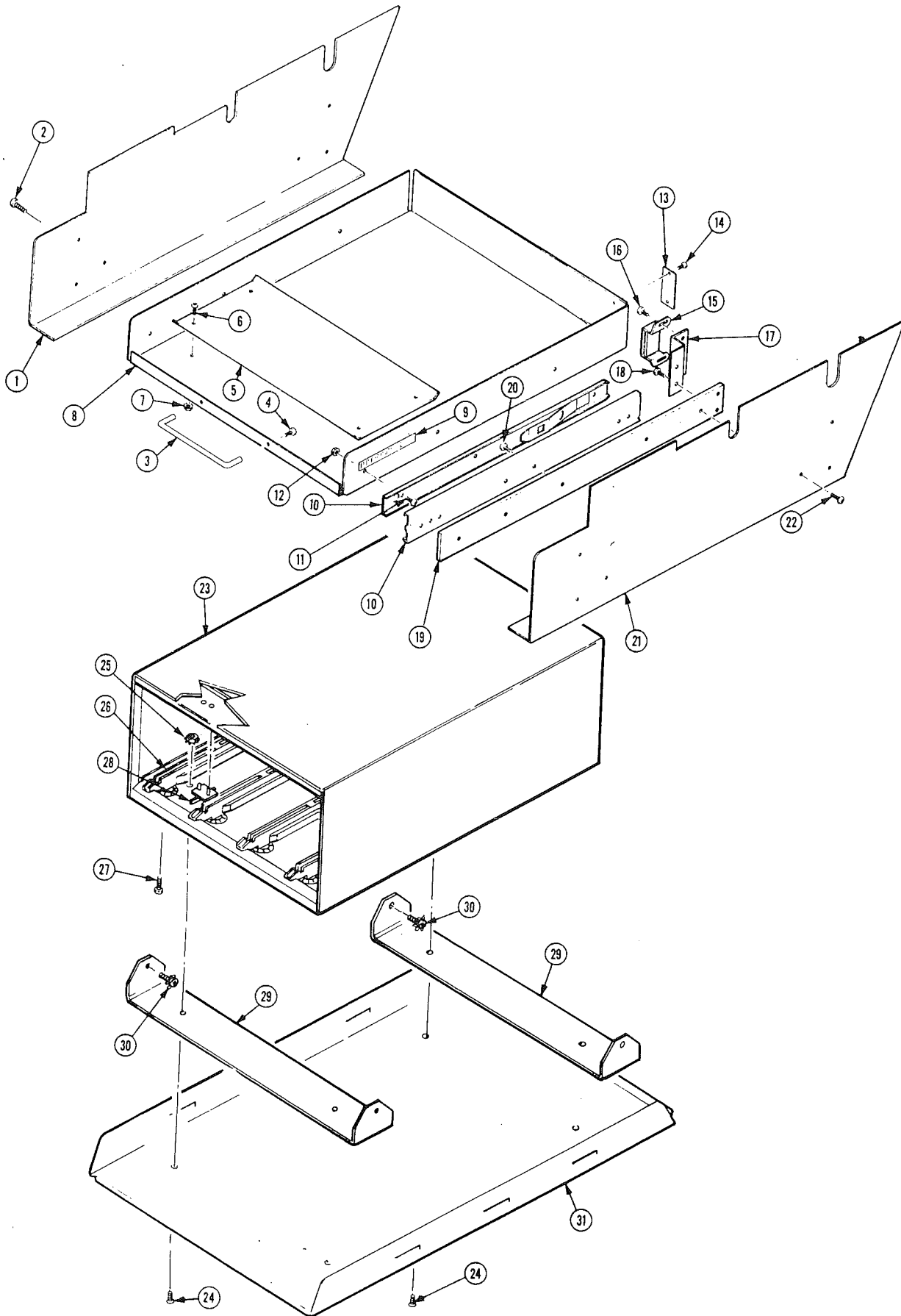
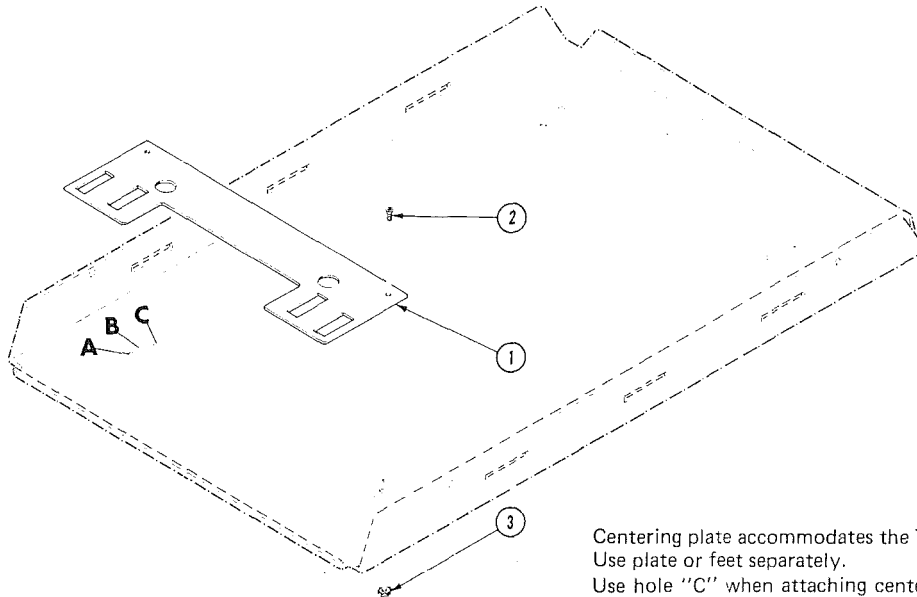


FIGURE 8. OPTIONS 10, 12, 22

**CENTERING PLATE for Model 3**  
Part No. 650-0160-00



Centering plate accommodates the TM503 and TM504.  
Use plate or feet separately.  
Use hole "C" when attaching centering plate.

**REPLACEABLE PARTS LIST**

Fig. & Index No.	Tektronix Part No.	Serial/Model No. Eff	Dscont	Qty	1	2	3	4	5	Name & Description	Mfr Code	Mfr Part Number
-1	650-0160-00			1						MECHANICAL KIT:W/CENTERING PLATE & HDW	80009	650-0160-00
	386-4104-00			1						. PLATE,CENTERING:	80009	386-4104-00
										(ATTACHING PARTS)		
-2	211-0559-00			2						. SCREW,MACHINE:6-32 X 0.375"100 DEG,FLH STL	83385	OBD
-3	210-0457-00			2						. NUT,PLAIN,EXT W:6-32 X 0.312 INCH,STL	83385	OBD
	062-4163-00			1						DATA SHEET: 650-0160-00	80009	062-4163-00

**CROSS INDEX—MFR. CODE NUMBER TO MANUFACTURER**

Mfr. Code	Manufacturer	Address	City, State, Zip
80009	TEKTRONIX, INC.	P O BOX 500	BEAVERTON, OR 97077
83385	CENTRAL SCREW CO.	2530 CRESCENT DR.	BROADVIEW, IL 60153

NO. 062-4163-00  
DATE JUNE 1979  
COPYRIGHT © 1979  
TEKTRONIX, INC.  
ALL RIGHTS RESERVED