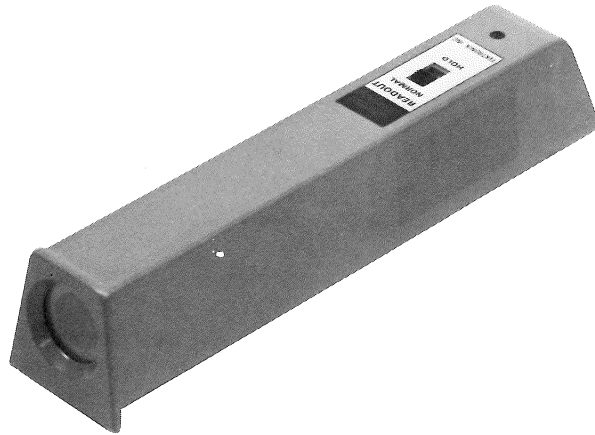


C. 5
AUG
73

J6502-2 IRRADIANCE PROBE



The J6502-2 is designed to measure irradiance in mW/m^2 where light incident upon a surface must be measured. Measurements are made with the J6502-2 pointed at the light source. Narrow angle light sources such as lasers which do not fill the entire active area of the sensor may be measured in which case $1\text{mW}/\text{m}^2 = 1 \times 10^{-4}\text{mW}$.

A silicon photodiode and multilayer glass filter are used to provide a flat spectral response within $\pm 7\%$ from 450 to 950 nanometers. The J6502-2 has useable response between 375 nm and 1100 nm. The effective plane of the sensor is 5 mm behind the glass filter front surface.

The probe has been calibrated in mW/m^2 independently of the J16, thereby permitting interchangeability of probes without the need for re-calibration of either unit. A hold switch is provided to allow the reading to be stored at any time. A standard 0.25-20 mounting socket is located on the bottom for use in mounting on an optical bench or tripod.

SPECIFICATIONS (When used with a J16)

Measurement ranges: 0.01 to 19.900 mW/m^2

Spectral response: flat within $\pm 7\%$ from 450-950 nanometers

Sensor active area: 1 $\text{CM}^2 \pm 5\%$

Accuracy: Within 5% of NBS standards and ± 1 digit in the last place.

Probes individually calibrated to a tungsten light source traceable to NBS.

DATA SHEET

NO.062-1553-01

DATE AUG 1973



COPYRIGHT © 1973
TEKTRONIX INC.
ALL RIGHTS RESERVED

REPLACEABLE PARTS LIST

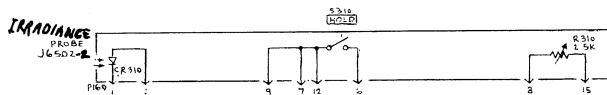
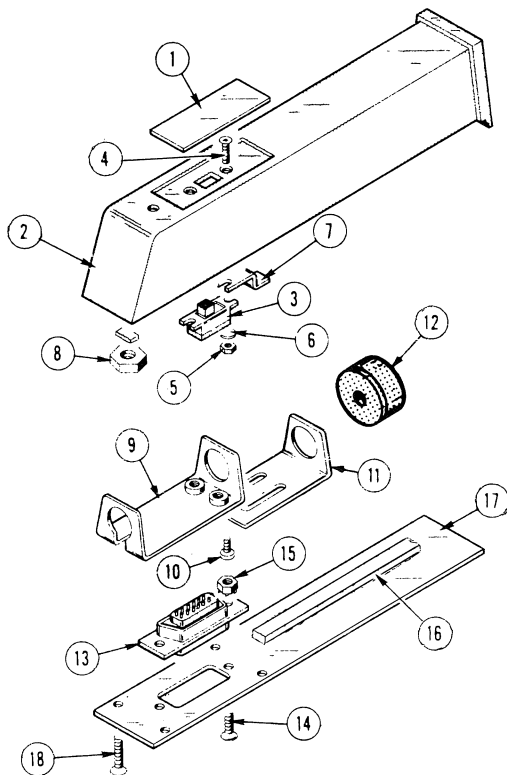


Fig. & Index No.	Tektronix Part No.	Serial/Model No. Eff Disc	Q † y	Description				
				1	2	3	4	5
-1	334-2055-00		1	LABEL, information				
-2	380-0298-00		1	HOUSING, probe				
-3	260-0960-00		1	SWITCH, slide (S310)				
-4	211-0030-00		2	SCREW, 2-56 x 0.25 inch, 100° csk, FHS				
-5	210-0405-00		2	NUT, hex., 2-56 x 0.188 inch				
-6	210-0001-00		2	WASHER, lock, internal, 0.092 ID				
	311-1239-00		1	RESISTOR, variable, 2.5 kΩ, (R310) (not shown)				
-7	343-0406-00		1	CLAMP, variable resistor				
-8	210-0411-00		1	NUT, hex., 0.25-20 x 0.438 inch				
-9	343-0380-00		1	CLAMP, rear				
-10	211-0022-00		2	SCREW, 2-56 x 0.188 inch, PHS				
-11	343-0379-00		1	CLAMP, front				
-12	152-0550-00		1	SEMICONDUCTOR DEVICE, photo w/radiometric filters (CR310)				
-13	131-0459-00		1	CONNECTOR, receptacle, electrical, 15 pin, male (J160)				
-14	211-0101-00		2	SCREW, 4-40 x 0.25 inch, 100° csk, FHS				
-15	210-0586-00		2	NUT, keps, 4-40 x 0.25 inch				
-16	252-0603-00		ft	PLASTIC STRIP, 5.50 inch long				
-17	200-1409-00		1	COVER, probe				
-18	211-0022-00		4	SCREW, 2-56 x 0.188 inch, PHB				