

INTEGRATED CIRCUITS CATALOG 1

COMPANY
CONFIDENTIAL

Tektronix[®]
COMMITTED TO EXCELLENCE

CATALOG TABLE OF CONTENTS

	Page		Page
PREFACE	iii	SECTION 4 - ECL	
EIGHT CATALOG INDEX	iv	ECL	
EVALUATION ENGINEER RESPONSIBILITY	v	ADDERS	4-2
SECTION 1 - MULTIFUNCTION		BUFFERS/INVERTERS	4-2
MICROCOMPUTERS		COMPARATORS	4-2
8-BIT	1-2	CONVERTERS	4-2
16-BIT	1-2	COUNTERS	4-3
MICROPROCESSORS		DECODERS/MULTIPLEXERS	4-3
4-BIT	1-3	DRIVERS	4-4
8-BIT	1-3	ENCODERS	4-4
16-BIT	1-4	FLIP-FLOPS	4-5
32-BIT	1-4	GATES	4-6
MICROPROCESSOR SUPPORTS		GENERATORS	4-7
CLOCK GENERATORS	1-5	LATCHES	4-8
CRT CONTROLLERS	1-5	RECEIVERS	4-8
DISK CONTROLLERS AND SUPPORTS	1-5	REGISTERS	4-9
DIRECT MEMORY ACCESS (DMA) CONTROLLERS	1-6	MISCELLANEOUS	4-10
DRIVERS	1-6		
FLOATING-POINT UNITS (FPU)	1-6	SECTION 5 - MOS	
INTERRUPT CONTROLLER UNITS	1-7	MOS	
LOCAL AREA NETWORKS (LAN)	1-7	CLOCK DRIVERS	5-2
MEMORY MANAGEMENT UNITS (MMU)	1-7	COUNTERS	5-2
PARALLEL I/O PORTS	1-8	SHIFT REGISTERS	5-2
REAL-TIME CLOCK UNITS	1-8	MISCELLANEOUS	5-2
SYSTEM CONTROLLERS	1-8		
TIMERS	1-9	SECTION 6 - TTL	
UNIVERSAL ASYNCHRONOUS RECEIVER/TRANSMITTER	1-9	TTL	
MISCELLANEOUS	1-9	ADDERS/COMPARATORS	6-2
GENERAL PURPOSE INTERFACE BUS (GPIB)	1-11	ARITHMETIC LOGIC UNITS	6-2
		BUFFERS/INVERTERS	6-3
SECTION 2 - MEMORY SELECTION GUIDE		CONVERTERS	6-5
MEMORY SELECTION GUIDE		COUNTERS	6-5
DYNAMIC RAM (DRAM)	2-2	DATA SELECTORS/MULTIPLEXERS	6-7
DYNAMIC RAM (DRAM) CONTROLLERS	2-2	DECODERS	6-9
FIRST-IN-FIRST-OUT MEMORIES (FIFO)	2-3	DRIVERS/RECEIVERS/TRANSCIEVERS	6-10
NON-VOLATILE RAM	2-3	ENCODERS	6-12
PSUEDU STATIC RAM	2-4	FLIP-FLOPS	6-13
FACTORY PROGRAMMABLE XROM	2-5	GATES	6-14
STATIC RAM (SRAM)	2-7	GENERATORS	6-17
FIELD PROGRAMMABLE XROM	2-12	LATCHES	6-18
FLEXIBLE DISKS	2-17	LOGIC ARRAYS	6-19
		MULTIVIBRATORS	6-20
SECTION 3 - CMOS		REGISTERS	6-21
CMOS		REGISTER FILES	6-21
ADDERS/COMPARATORS	3-2	SHIFT REGISTERS	6-22
BUFFERS/INVERTERS	3-2	MISCELLANEOUS	6-23
COUNTERS	3-3	TTL FAMILY NUMBER LISTING	6-24
DECODERS/MULTIPLEXERS	3-3		
FLIP-FLOPS	3-4	TECHNICAL SHEETS	6-42
GATES	3-5		
GENERATORS	3-6	SECTION 7 - INTEGRATED CIRCUITS, SPECIAL FUNCTION	
LATCHES	3-6	INTEGRATED CIRCUITS, SPECIAL FUNCTION	
MULTIVIBRATORS	3-6	A/D CONVERTERS	7-2
SHIFT REGISTERS	3-7	D/A CONVERTERS	7-4
TRANSCIEVERS	3-7	RMS TO DC CONVERTER	7-6
MISCELLANEOUS	3-8	VOLTAGE TO FREQUENCY CONVERTERS	7-6
		ANALOG SWITCHES/MULTIPLEXERS	7-7
		COMPARATORS	7-8
		AMPLIFIERS	7-10
		SAMPLE AND HOLD	7-10
		TEMPERATURE TRANSDUCERS	7-10
		TIMERS	7-11
		MISCELLANEOUS	7-11

CATALOG TABLE OF CONTENTS (cont)

	Page
SECTION 8 - LINEAR	
LINEAR	
OPERATIONAL AMPLIFIER DEFINITIONS	8-2
ANALOG VIDEO CIRCUITS	8-3
MULTIPLIERS-MODULATORS/DEMODULATORS	8-3
VOLTAGE REGULATORS	8-4
OVERVOLTAGE PROTECTOR CIRCUITS	8-4
POSITIVE	8-4
NEGATIVE	8-5
ADJUSTABLE	8-6
SWITCHING REGULATOR CONTROL	8-6
VOLTAGE REFERENCE	8-7
OPERATIONAL AMPLIFIERS	8-8
GENERAL PURPOSE	8-8
VOLTAGE FOLLOWER	8-8
HIGH SPEED	8-9
PRECISION	8-10
FET INPUT	8-11
MISCELLANEOUS	8-12
LINEAR CASE DRAWING	8-13

SECTION 9 - INDEX

TEK PART NUMBER TO VENDOR NUMBER INDEX SECTIONS 1 THRU 8	9-1
---	-----

SECTION 10 - INDEX

VENDOR NUMBER TO TEK PART NUMBER INDEX SECTIONS 1 THRU 8	10-1
---	------

SECTION 11 - SURFACE MOUNTABLE

MULTIFUNCTION	
INTERRUPT CONTROLLER UNITS	11-2
MICROPROCESSORS	11-2
MISCELLANEOUS	11-2
MEMORY SELECTION GUIDE	
STATIC RAM (SRAM)	11-3
DYNAMIC RAM (DRAM)	11-3
CMOS	
BUFFERS/INVERTERS	11-4
COUNTERS	11-4
DECODERS/MULTIPLEXERS	11-4
DRIVERS	11-4
FLIP-FLOPS	11-5
GATES	11-5
GENERATORS	11-5
LATCHES	11-5
MULTIVIBRATORS	11-6
REGISTERS	11-6
TRANSCEIVERS	11-6
ECL	
FLIP FLOPS	11-7
GATES	11-7
MISCELLANEOUS	11-7

	Page
SECTION 11 - SURFACE MOUNTABLE (cont)	
TTL	
ADDERS/COMPARATORS	11-8
BUFFERS/INVERTERS	11-8
COUNTERS	11-8
DATA SELECTORS	11-9
DECODERS/MULTIPLEXERS	11-9
DRIVERS	11-9
ENCODERS	11-10
FLIP-FLOPS	11-10
GATES	11-11
LATCHES	11-11
LOGIC ARRAYS	11-11
MULTIVIBRATORS	11-12
RECEIVERS	11-12
REGISTERS	11-12
TRANSCEIVERS	11-12
MISCELLANEOUS	11-12
TTL FAMILY NUMBER LISTING	11-13
SPECIAL FUNCTION, MISCELLANEOUS	11-17
LINEAR	
OP AMP	11-19

SECTION 12 - TEK-MADE IC'S MICROCIRCUIT COVERS & INDEX

TEK-MADE	
GENERAL CIRCUITS	12-2
OPERATIONAL AMPLIFIERS	12-2
MAIN FRAME LOGIC	12-2
KNOB READOUT SYSTEM	12-2
READOUT SYSTEM	12-2
HORIZONTAL SYSTEM	12-2
AD/DA CIRCUITS	12-2
VERTICAL AMPLIFIERS	12-2
TV AND CRT CONTROL CIRCUITS	12-3
PROBE CIRCUITS	12-3
MICROCIRCUIT COVER LIDS	12-4
PART NUMBER INDEX	12-5

PREFACE

COMPANY CONFIDENTIAL

The contents of this catalog are for the exclusive use of Tektronix Employees. Any unauthorized use may constitute a theft.

PURPOSE AND USE

This catalog is not intended to be a specification document by including all characteristics of the parts listed. It is a catalog with parts arranged in an order determined by the prime characteristic.

Parts not listed herein are either not to be used or are so new that their characteristics may yet be changed. We suggest you call the appropriate Component Engineer and/or check the component specification for complete details on any part before making a decision on its use. Specifications can be obtained from Reprographics, or viewed at any of the satellite aperture card locations.

FIELD CAUTION: No effort has been made to correlate the parts in this catalog with those parts which are available for replacement in the field. Some of the parts listed are not available for use as replacement parts. Ordering such parts will only slow your order and impede the general efficiency of the parts ordering process. All replacement parts are listed in the RPR (Replaceable Parts Record).

DIMENSIONS ARE IN INCHES UNLESS OTHERWISE SPECIFIED

NOTES: We have included pages throughout the catalog entitled NOTES for your use.

CORRECTIONS & SUGGESTIONS

Corrections or suggestions are encouraged at any time. Call 629-1860 or 629-3030 or mail to delivery station 92-325. Special forms for this purpose are also included at the back of the catalog.

HOW TO ORDER CATALOGS

Special forms for this purpose are included at the back of this catalog, or you may call 629-3029 Parts Cataloging, 92-325. We will need your name, payroll code, responsibility-cost center, phone number, and delivery station.

CATALOG DISTRIBUTION IS NOT AUTOMATIC We have special routing lists to announce new catalogs. A response to those notices is necessary each time to receive the next edition of a catalog. Call 629-3029 to have your name added to the mailing list.

SEND OUTDATED CATALOGS TO SALVAGE, 70-408

EIGHT CATALOG INDEX

This is a composite index of the items included in the eight catalogs. It is in alphabetical order, giving the catalog and section number in which the items are listed.

Cat	Sec	Type of Parts (Alpha List)	Cat	Sec	Type of Parts (Alpha List)	Cat	Sec	Type of Parts (Alpha List)
3	4	Adhesives	3	12	Flux	2	12	Plates (Identification and Instruction)
4	9	Air Filters	4	2	Forms (Coil & Transformer)	2	3	Posts (Threaded Spacers)
3	6	Aluminum (Extrusion)	8	5	Four Layer Diodes	4	2	Pot Cores
3	7	Aluminum (Bar, Wire, Flat, Tube)	4	8	Fuses, Fuseholders and Clips	5	6 - 8	Potentiometers (Variable Resistor)
2	15	Angle Brackets	2	10	Gaskets (RFI)	6	12	Power Supplies
Supp		Application Notes	3	4	Gasses	6	9	Power Supply Cable Assemblies
8	1 & 5	Arrays	2	11	Gears	8	1	Power Transistors
8	5	Back Diodes	8	13	Glow Lamps	2	2 & 3	Press Mount Hardware
4	8	Batteries	2	5	Grommets	Supp		Product Safety
2	11	Bearings (Sleeve)	2	14	Guides (Pin, Ckt Bd & Instr. Cab)	8	3	Programmable Thyristors
2	11	Belts (Drive)	2	13	Handles	2	11	Pulleys
3	9 & 12	Beryllium Materials	8	9 & 10	Heat Sinks	2	7	Push Buttons
4	10	Binding Posts	2	14	Hinges	8	7	Rectifier Diodes
2	15	Brackets, Angle	2	9	Holders	4	3	Relays
2	10	Brackets, Component Mounting	4	8	Holders (Battery)	Supp	0	Reliability Notes
3	8	Brass Material	4	9	Impellers (Air Fan)	5	1 - 5	Resistors, Fixed
2	13	Bumpers	8	13	Incandescent Lamps	5	6 - 8	Resistors, Variable
2	5	Bushings	8	13	Indicator Lights	2	8	Retaining Rings
2	9	Button Plugs	4	2	Inductors	4	1	RFI Filters
2	14	Cabinets (Fasteners)	3	5	Ink (Marking)	2	8	Rivets
2	13	Cabinets (Instrument)	2	7	Inserts (Knob)	8	7	Schottky Diodes
6	8	Cables (Assembly & Interconnection)	2	2	Inserts (Threaded)	8	3	SCR Thyristors
6	6 & 7	Cables (RF, Special Purpose, Flat)	2	2	Instrument Cabinets	2	1	Screws
6	11	Cable Nipples	3	2 - 4	Insulating Materials (Bulk)	8	3	Selected & Matched Transistors
5	9 - 14	Capacitors, Fixed	6	10	Insulation Sleeving	2	6	Shafts
5	15	Capacitors, Variable	2	3	Insulator Posts	2	10	Shielding, Gasket
8	13	Cartridge Lamps	8	11	Insulators	2	9	Shock Mounts
2	13	Casters	1	1 - 12	Integrated Circuits (Microcircuits)	8	5	Shockly (Diodes)
2	14	Catches	4	13	Interconnection Systems (Ckt Bd)	8	7	Signal Diodes
3	4	Ceramic Molding Materials	4	10	Jacks (Telephone & Tip)	2	11	Sleeve Bearings
3	3	Ceramic Substrates	2	7	Knobs & Knob Subparts	2	14	Slides (Ckt Board & Instr. Cabinet)
2	11	Chains (Drive)	2	6	Knobs With Shafts	8	1	Small Signal Transistors
Supp		Chemical Elements & Symbols Table	2	7	Knob Design Data	8	5	Snap-Off Diodes
2	14	Circuit Board Ejectors	2	7	Lacquer	4	10	Sockets (Electrical Components)
4	13	Circuit Board Interconnect Systems	8	13	Lamps (Incand, Glow, Indicator)	3	12	Solder
3	3	Circuit Board Materials	8	13	Lampholders	4	3	Solenoids
2	2	Circuit Board Supports	8	7	Laser Diodes	3	5	Solvents
4	6	Circuit Breakers	2	14	Latches (Door, etc.)	2	3	Spacers (Threaded & Unthreaded)
2	9	Clamps	6	1	Leads (Formed)	4	8	Spark Gaps
2	9	Clips	8	12	LED's (Light Emitting Diodes)	1	7	Special Function (Digital & Linear) IC's
3	5	Coatings (Insulative, Resistive, Paints, Conductive & Precious Metal)	8	13	Lens (Indicator)	2	8	Springs (Helical)
4	2	Coils	1	8	Linear Integrated Circuits	2	11	Sprockets
3	1	Conductive Elastomers	2	14	Locks (Door, etc.)	3	15	Stainless Steel Material
4	10 - 13	Connectors (Ckt Board, Coax, Power, D Series, Flat Cable)	Supp		Logo List	2	3	Standoffs
4	13	Contacts	3	5	Lubricants	3	14	Steel Material
3	11 & 12	Copper & Misc. Copper Alloys	4	10	Lug Terminals (Solder and Solderless)	2	5	Strain Relief Bushings
3	9	Copper-Beryllium	8	12	Magnetic Shielding Material	2	9	Straps
4	2	Cores (For Coils & Transformers)	3	13	Markers, Identification	2	1	Studs (Threaded, Weld, Pressmount, etc.)
1	3	CMOS Integrated Circuits	2	12	Memory Selection Guide IC's	8	15	Surface Mount Diodes
2	6	Couplings, Shaft	1	2	Microcircuits	8	14	Surface Mount Integrated Circuits
4	1	Crystal Oscillators	1	1 - 12	Microcircuit Cover Lids	4	3 - 7	Surface Mount Transistors
4	1	Crystal Units & Holders	1	1	Microprocessors			Switches (Lever, Slide, Push, Toggle, Reed, Thermo, Rocker, Rotary, Power, Logic, Thumbwheel, etc.)
8	6	Current Limiting Diodes	2	12	Modular Packaging System	8	7	Switching Diodes
2	13	Cushioning Pads	1	5	MOS Integrated Circuits	3	4	Tape
4	3	Delay Lines, DIP, SIP & Bulk	1	1	Multifunction Integrated Circuits	1	12	Tek-made Integrated Circuits
2	7	Dials (Knob & Turns Counting)	8	13	Neon Lamps	Supp		Tek Part Number System
8	5 - 8	Diodes	3	12	Nickel Material (Bulk)	4	10	Terminals (Block, Grounding, Studs, Quick Disc, Feedthru)
4	10	Discrete Component Carriers	2	2	Nuts and Nut Blocks	2	1	Thumbscrews
Supp		EIA Date Code	1	8	Op Amps	1	6	TTL Integrated Circuits
1	4	ECL Integrated Circuits	8	12	Optoelectronic Devices	4	2	Transformers
Supp		Environmental and Reliability Notes	8	12	Optoisolators	8	1 - 4	Transistors
All	Preface	Evaluation Engineer	2	5	"O" Rings	8	3	Triac Thyristors
3	3	Epoxy Preforms	4	1	Oscillators (Crystal)	8	5	Tunnel Diodes
2	8	Eyelets	2	13	Pads (Cushioning)	8	3	Unijunction Thyristors
4	9	Fans and Impellers (Air)	3	5	Paint & Paint Additives	5	6 - 8	Variable Resistors
2	14	Fasteners	3	10	Phosphor Bronze Material	3	5	Varnish
2	13	Feet (Cabinet)	8	12	Photoconductors	8	7	Voltage Multipliers (Diodes)
3	2	Felt Materials	8	12	Phototransistors	4	8	Voltage Selectors (Fuse)
2	3	Ferrules	2	14	Pins (Guide)	2	4	Washers (Flat, Lock, Spring Shoulder)
8	2	FET's	2	8	Pins (Spring and Retaining)	6	1 - 4	Wire (Electrical)
4	1	Filters (RFI)	3	1	Plastic Materials (Bulk Molding)	8	6	Zener Diodes
1	2	Flexible Disks	3	2	Plastics (Shapes and Sheets)			
2	13	Flipstands (Cabinet)						

EVALUATION ENGINEER RESPONSIBILITY

COMMUNICATIONS GROUP

FDI Division

Kenneth Durk, Mgr. 627-1398 58-620
 Nancy Adams 627-2825 58-680
 Jim Anderson 627-1251 58-680
 Jim Theabolt 627-1411 58-585

TV Division

Bob Melton, Mgr 627-1345 58-594

COMMUNICATIONS NETWORK ANALYZERS

Rich Amber, Mgr. 923-4418 R1-000
 Mary Richards 923-4474 R1-000

DESIGN AUTOMATION GROUP

CASE & LA Divisions

Steve Kelty, Mgr. 629-1935
 Steve Fierro 629-3032 92-323
 Wilton Hart 629-3036 92-525

CBI Division

Chris Gadke 627-7345 02-305

STS Division

Bill Pedersen, Mgr. 629-1276
 Jose Montoya 629-3041 94-442

INFORMATION DISPLAY GROUP

Paul Curley, Mgr. 685-3601 63-169 Capacitors, resistors, potentiometers

Electromechanical

Karol Nelson 685-3963 63-169 Clamps, insulators, O'rings
 Eleanor Olson 685-3731 63-169 General hardware
 Charles Tohlen 685-3517 63-169 Batteries, crystals, circuit breakers, delay lines, fans, inductors, oscillators (crystal), relays, solenoids, surge arrestors, transformers, optoelectronic devices, varistors
 John Young 685-3335 63-169 Connectors

Semiconductor

John Baker 685-3392 63-169 Bipolar, CMOS and MOS logic, FPLAs, PALs, microprocessors (6800 family)
 Paul Johnson 685-3895 63-169 ECL, microprocessors (6800 family) and peripherals, control devices, gate arrays
 Matt Porter 685-3886 Diodes, transistors, amplifiers, A/Ds, DACs, voltage regulators, multipliers, CRTs, monitors, heat sinks
 Mark Robertson 685-3337 63-169 Dynamic and static RAMS, ROMs, RAM controllers, non-volatile memories

INSTRUMENTS GROUP

Accessories Division

Larry Younkin 253-5137 C1-711

LID Division

Howard Nutt, Mgr. 627-5192 47-629
 Larry Berry 627-2313 19-680
 Neill Martin 627-2311 19-680

ISI Division

Dave Huskey 253-5805 C1-972

Portable Instruments Division

Ron Roberst, Mgr. 253-5253 C1-444
 Keith Cronrath 253-5295 C1-521
 Dan Decker 253-5407 C1-521
 Al LaValle 253-5407 C1-521
 Jeff Thompson 253-5872 C1-444

SEMICONDUCTOR SUPPORT FOR BOTH THE INSTRUMENTS & COMMUNICATIONS GROUPS

Jerry Willard, Mgr. 627-2539 19-680 FETs, analog switch ICs, timers
 Curt Bernal 627-6103 19-680 Analog: Small signal transistors, diodes, high voltage multipliers
 Abe Ghahyasi 627-2567 19-680 Digital: Logic (TTL, ECL, CMOS)
 John Higley 627-6112 19-680 Digital: Memories (all types), gate arrays, PALs
 Pete Lancashire 627-2566 19-680 Digital: Logic (TTL, ECL, CMOS), VLSI and support circuits (microprocessors, microcomputers, peripherals), disk drives, tape drives
 Jim Williamson 627-2552 19-680 Digital: A/Ds, DACs, sample and hold, special function ICs
 Analog: Op amps, comparators, power transistors, voltage regulators/controllers, SCRs, triacs, heat sinks, mounting insulators

PLASTICS ENGINEERING

Bert Hippe 699-7296 08-413 Plastic Molding Material
 Grant Peterson 699-7244 08-413 Plastic Molding Material

SECTION 1

TABLE OF CONTENTS

	Page
MULTIFUNCTION	
MICROCOMPUTERS	
8-BIT	1-2
16-BIT	1-2
MICROPROCESSORS	
4-BIT	1-3
8-BIT	1-3
16-BIT	1-4
32-BIT	1-4
MICROPROCESSOR SUPPORT	
CLOCK GENERATORS	1-5
CRT CONTROLLERS	1-5
DISK CONTROLLERS AND SUPPORTS	1-5
DIRECT MEMORY ACCESS (DMA) CONTROLLERS	1-6
DRIVERS	1-6
FLOATING-POINT UNITS (FPU)	1-6
INTERRUPT CONTROLLER UNITS	1-7
LOCAL AREA NETWORKS (LAN)	1-7
MEMORY MANAGEMENT UNITS (MMU)	1-7
PARALLEL I/O PORTS	1-8
REAL-TIME CLOCK UNITS	1-8
SYSTEM CONTROLLERS	1-8
TIMERS	1-9
UNIVERSAL ASYNCHRONOUS RECEIVER/TRANSMITTER (UART)	1-9
MISCELLANEOUS	1-10
GENERAL PURPOSE INTERFACE BUS (GPIB)	1-11
TEK PART NUMBER TO VENDOR NUMBER	SECTION 9
VENDOR NUMBER TO TEK PART NUMBER	SECTION 10

In the Semiconductor Section of the Supplement Catalog 7, you will find the following information:

- Static Awareness
 - Handling of Static Sensitive Components

- Integrated Circuits - Application Notes
 - Package Number Codes
 - Integrated Circuit Quality and Reliability

CATALOG WRITER: SANDRA PHILLIPS, 629-3030

MICROCOMPUTERS

8-BIT

JEDEC/Vendor Number	Part Number	Codes ^a			Description	Other	Case Style
		ND	Cost	ST			
6801	156-1940-00	X		DL	8-bit Single Chip, NMOS		40 DIP
68A03	156-1683-00	A	4.900	CR	8-bit Single Chip, NMOS		40 DIP
68HC11	156-2656-00	A	150.000	EN	8-bit Single Chip, HCMOS		64 DIP
7805	156-2135-00	N	6.750	CR	8-bit Single Chip General Purpose, CMOS		64 Quill
7807	156-2202-00	N	30.000	CR	8-bit Single Chip with Comparator, NMOS		64 Quill
7810	156-2021-00	N	4.500	CR	8-bit Single Chip with A/D Converter, NMOS		64 Quill
8031	156-1684-00	A	13.650	CR	8-bit CPU w/on-chip RAM & I/O, HMOS (Ceramic)	Screened	40 DIP
8031	156-1684-01	A	4.000	CR	8-bit CPU w/on-chip RAM & I/O, HMOS (Plastic)	Screened	40 DIP
8035	156-1434-00	A	7.000	CR	8-bit Single Component, NMOS		40 DIP
8039	156-1387-00	A	7.900	CS	8-bit CPU, RAM & I/O, NMOS		40 DIP
80C59	156-2962-00		42.500	PP	8-bit w/Socket for EPROM, NMOS		40 DIP
8344	156-2075-00	A	16.000	CR	High Prfrm 8-bit Microcontroller w/on-chip Serial Comm Center	Screened	40 DIP
8741	156-1365-00	A	16.500	CR	8-bit Universal Peripheral Interface, NMOS		40 DIP
8742	156-2317-00	A	24.500	CR	8-bit Universal Peripheral Interface	Screened	40 DIP
8744	156-2045-00	U	95.000	CR	8-bit Remote Universal Peripheral Interface	Screened	40 DIP
8748	156-1364-00	A	17.500	CR	8-bit with 64 x 8 RAM & 1024 x 8 EPROM, NMOS		40 DIP
8748	156-1364-01	A	16.350	CR	8-bit with 64 x 8 RAM & 1024 x 8 EPROM, HMOS II		40 DIP
68701	156-1579-00	N	21.150	CR	8-bit, NMOS		40 DIP
68701	156-1579-02	A	43.000	CR	8-bit Single Chip, NMOS		40 DIP
68705	156-2697-00		11.350	EN	8-bit EPROM & RAM		40 DIP
68705	156-3031-00		4.200	EN	8-bit EPROM, NMOS		28 DIP

16-BIT

JEDEC/Vendor Number	Part Number	Codes ^a			Description	Other	Case Style
		ND	Cost	ST			
68HC11	156-2733-00		27.500	PP	16-bit (8 MHz), MOS		48 DIP
7720	156-2136-00	N		EN	16-bit Programmable Signal Processing Interface, NMOS		28 DIP
8305	156-2241-00	A	24.250	CR	16-bit High Speed Microcontroller, Bipolar		50 DIP

^a The nominal price (at time of printing) is listed in the cost column. For ND Codes (New Design Recommendations) and Status Codes, see tab marked CODES in the back of this catalog.

MICROPROCESSORS

4-BIT

JEDEC/Vendor Number	Part Number	Codes ^a			Description	Other	Case Style
		ND	Cost	ST			
2901	156-1043-00	A	6.500	CS	4-bit Microprocessor Slice, LSTTL		40 DIP
2901	156-1043-02	N	8.500	CR	4-bit Microprocessor Slice	Screened	40 DIP
2901	156-1043-03	A	7.150	CR	4-bit Microprocessor Slice, ECL	Screened	40 DIP
2909	156-1029-00	N	7.000	CR	4-bit Processor Controller Slice, LSTTL		28 DIP
2909	156-1029-01	A			4-bit Processor Controller Slice, STTL		28 DIP

8-BIT

JEDEC/Vendor Number	Part Number	Codes ^a			Description	Other	Case Style
		ND	Cost	ST			
Z80A	156-0983-00	A	10.250	CR	8-bit CPU, NMOS		40 DIP
Z80A	156-0983-02	A	1.500	CR	8-bit CPU, NMOS		40 DIP
Z80B	156-0983-03	A	4.120	CR	8-bit CPU (6 MHz), NMOS		40 DIP
AMQ721	156-2719-00		40.000	CR	8-bit, EPROM		40 DIP
800-4	156-1923-00	A	13.250	CR	8-bit, CMOS		40 DIP
1802	156-1280-00	A	15.550	CS	8-bit, CMOS		40 DIP
2650A	156-0986-02		12.600	CR	8-bit (2 MHz), NMOS		40 DIP
3850	156-1218-00		4.800	CR	8-bit CPU, NMOS		40 DIP
3880P-4	156-0983-01	A	10.500	CR	8-bit CPU, NMOS		40 DIP
6502	156-1425-00	U	4.900	CR	8-bit CPU, NMOS		40 DIP
6502	156-1425-01	U	5.400	CR	8-bit CPU (2 MHz), NMOS		40 DIP
65C02	156-1985-00	A	8.910	CR	8-bit CPU (2 MHz), CMOS	Screened	40 DIP
65SC02	156-0351-00			EN	8-bit MPU (2 MHz), CMOS		40 DIP
6504	156-1482-00	U	3.300	CR	8-bit, 8 K Addressing, NMOS		28 DIP
6800	156-0426-00	N	3.468	CR	8-bit Parallel CPU, NMOS		40 DIP
6800	156-0426-01	N		NP	8-bit Parallel CPU, NMOS	Checked	40 DIP
6800	156-0426-05	N	7.078	CR	8-bit Parallel CPU, NMOS	Screened	40 DIP
68B00	156-0426-04	X	4.950	CS	8-bit Parallel CPU, NMOS		40 DIP
6802	156-1342-00	A	6.033	CR	8-bit with Clock and RAM, NMOS		40 DIP
68B02	156-2413-00		5.690	CR	8-bit with RAM and Clock		40 DIP
68B09	156-1494-00	A	12.850	CR	8-bit, NMOS		40 DIP
68B09	156-1494-01	A	6.000	CR	8-bit, NMOS	Screened	40 DIP
68B09	156-1720-00	A	14.100	CR	8-bit (2 MHz), HMOS		40 DIP
7170	156-2478-00		6.250	CR	8-bit, Real Time Clock, CMOS		40 DIP
8080	156-0954-00	N	4.750	OT	8-bit Parallel CPU, NMOS		40 DIP
8085	156-1088-00	A	6.750	CR	8-bit, NMOS		40 DIP
8085	156-1088-01	N	2.950	CR	8-bit, NMOS	Screened	40 DIP
8085	156-1088-02	U	12.300	CR	8-bit, NMOS		40 DIP
8085	156-1088-03	U	13.050	CR	8-bit, NMOS		40 DIP
8088	156-1609-00	A	6.000	CR	8-bit, HMOS		40 DIP
8088	156-1609-01	A	7.000	CR	8-bit, HMOS	Screened	40 DIP
80C88	156-2774-00		11.006	PP	8-bit (5 MHz), CMOS		40 DIP
8089	156-0434-00	U	21.900	CR	8 x 16 I/O Processor, HMOS	Screened	40 DIP
8400H	156-2280-00		7.100	CR	8-bit (8 MHz), NMOS		40 DIP
8430	156-2628-00		2.070	CR	8-bit, Counter/Timer Circuit		28 DIP
8751	156-2700-00		47.000	CR	8-bit, Microcontroller w/EPROM		40 DIP
67127	156-1342-01	A	1.378	CR	8-bit with Clock (1.25 MHz), RAM Disabled		40 DIP
68008	156-1915-00	A	19.650	CR	8-bit (8 MHz), NMOS		48 DIP
68008	156-1915-01	A	20.758	CR	8-bit (10 MHz), NMOS		48 DIP
68034	156-1969-00	U	4.323	CR	8-bit, HMOS	Screened	40 DIP
80188	156-2003-00	A	19.750	CR	8-bit	Screened	68 LCC
80188	156-2003-01	A	19.750	CR	8-bit (8 MHz), MOS	Screened	68 LCC
80188	156-2003-02			EN	8-bit, MOS		68 PGA

^a The nominal price (at time of printing) is listed in the cost column. For ND Codes (New Design Recommendations) and Status Codes, see tab marked CODES in the back of this catalog.

MICROPROCESSORS (cont)

16-BIT

JEDEC/Vendor Number	Part Number	Codes ^a			Description	Other	Case Style
		ND	Cost	ST			
Z8001	156-1525-00	A	19.000	CR	16-bit, NMOS		48 DIP
Z8001B	156-3015-00			EN	16-bit		48 DIP
Z8002	156-1558-00	A	16.500	CR	16-bit (6 MHz), NMOS		40 DIP
Z8002B	156-3016-00			EN	16-bit		40 DIP
8086	156-1416-00	A	8.750	OT	16-bit, HMOS	Screened	40 DIP
8086	156-1416-01	A	25.500	CR	16-bit (8 MHz), NMOS		40 DIP
9450	156-2189-00	A	860.000	CR	16-bit with 32 & 48-bit Floating-point Arith on Chip (15 MHz)		64 DIP
9450	156-2189-02			DL			
9900	156-0935-00	N	42.730	CR	16-bit, NMOS		64 DIP
9900	156-0935-01	N	55.000	LR	16-bit, NMOS	Screened	64 DIP
9900	156-0935-02	N		NP	16-bit, NMOS	Checked	64 DIP
9900	156-0935-03	N	44.360	CR	16-bit, (4 MHz), NMOS		64 DIP
9900	156-1404-00	N	205.100	LR	16-bit Bipolar		64 DIP
9989	156-1636-00	A	975.000	CR	16-bit Bipolar (4 MHz), TTL		64 DIP
29116	156-2071-00	U		DL	16-bit Bipolar	Screened	52 DIP
32016	156-2033-00	A	40.000	OT	16-bit CPU (10 MHz)	Screened	48 DIP
32016	156-2033-01	A	37.400	CS	16-bit CPU (8 MHz)		48 DIP
32016	156-3007-00		39.000	CR	16-bit, XMOS		48 DIP
68000	156-1445-01	A	56.000	CS	16-bit (6 MHz), NMOS		64 DIP
68000	156-1445-00	A	14.300	CR	16-bit (8 MHz), NMOS		64 DIP
68000	156-1445-04	U	8.190	CR	16-bit (8 MHz), NMOS, (Plastic Only)		64 DIP
68000	156-1445-02	U	44.050	CR	16-bit (10 MHz), NMOS		64 DIP
68000	156-1445-03	A	46.310	CR	16-bit (12.5 MHz), NMOS		64 DIP
68000	156-2360-00	A	28.850	CR	16-bit (10 MHz)		68 PGA
68010	156-2593-00		39.000	PP	16-bit (8 MHz), NMOS		68 PGA
68010	156-1951-00	A	109.298	CR	16-bit Virtual Memory (8 MHz)		64 DIP
68010	156-1951-01	A	109.298	CR	16-bit Virtual Memory (12.5 MHz)		64 DIP
68010	156-2174-01	A	53.500	CR	16-bit Virtual Memory (10 MHz)	Screened	64 DIP
68010	156-2174-00	U	66.750	CR	16-bit Virtual Memory (12 MHz)	Screened	68 PGA
68010	156-2610-00		64.300	PP	16-bit Virtual Memory (10 MHz)		68 PGA
80186	156-1841-00	A	40.000	CR	16-bit (8 MHz), NMOS		68 LCC
80186	156-1841-01	A	19.700	CR	16-bit (8 MHz), NMOS		68 LCC
80186	156-1841-02		19.700	CR	16-bit (8 MHz), NMOS		68 PGA
80286	156-1877-00	A	45.000	CR	16-bit, NMOS		68 LCC
80286	156-1877-01	A	65.000	CR	16-bit (8 MHz), NMOS		68 LCC
84000-4	156-2279-00		3.080	CR	16-bit (4 MHz), CMOS		40 DIP

32-BIT

JEDEC/Vendor Number	Part Number	Codes ^a			Description	Other	Case Style
		ND	Cost	ST			
32032	156-2435-00	U		DL	32-bit High Performance	Screened	68 LCC
32332-15	156-3089-00			EN	32-bit Advanced w/Virtual Memory		84 DIP
34010	156-2999-00			EN	32-bit High Performance, Graphics System, CMOS	Screened	68 LCC
59032	156-2916-00		74.000	EN	32-bit, CMOS		101 PGA
68020	156-2515-00	A	330.000	CR	32-bit (16.7 MHz), HCMOS		114 PGA

^a The nominal price (at time of printing) is listed in the cost column. For ND Codes (New Design Recommendations) and Status Codes, see tab marked CODES in the back of this catalog.

MICROPROCESSOR SUPPORT

CLOCK GENERATORS

JEDEC/Vendor Number	Part Number	Codes ^a			Description	Other	Case Style
		ND	Cost	ST			
6875	156-1086-00		3.700	CR	2-phase Clock Generator/Driver, STTL		16 DIP
8224	156-0945-00	N	4.250	CS	Clock Generator/Driver, STTL		16 DIP
8224	156-0945-01	N	4.200	CS	Clock Generator/Driver, STTL	Screened	16 DIP
8284	156-1428-02	A	3.900	CR	Clock Generator/Driver, Bipolar	Screened	18 DIP
9904	156-1692-00	A	4.530	CR	4-phase Clock Generator/Driver, Bipolar		20 DIP
9904	156-0993-02		21.630	CR	4-phase Clock Generator/Driver, LSTTL		20 DIP
32201	156-2032-00	A	8.000	OT	Timing Control Unit	Screened	24 DIP
82284	156-1875-00	U	10.450	CR	Clock Generator & Ready Interface, NMOS		18 DIP
82284	156-1875-01	A	9.450	CR	Clock Generator & Ready Interface (8 MHz), NMOS		18 DIP
74LS362	156-0993-00	N		DL	4-phase Clock Generator/Driver, LSTTL		20 DIP
74LS362	156-0993-01	A	15.050	LR	4-phase Clock Generator/Driver, LSTTL	Screened	20 DIP

CRT CONTROLLERS

JEDEC/Vendor Number	Part Number	Codes ^a			Description	Other	Case Style
		ND	Cost	ST			
M379B	156-2622-00		30.160	PP	Semicustom, Standard Cell, Serial Data Interface, HMOS		68 LCC
M380	156-2624-00		30.900	PP	Semicustom, Standard Cell, Display Controller, HMOS		68 LCC
M386B	156-2645-00	U	25.340	PP	Semicustom, Standard Cell, Display Address Generator, HMOS		68 LCC
4172	156-2452-00		34.140	PP	Semicustom, Standard Cell, Display Controller, HMOS		68 LCC
5027	156-1386-00	U		DL	CRT Video Timer Controller, NMOS		40 DIP
5027	156-1386-01	U	22.500	CS	CRT Video Timer Controller, NMOS	Screened	40 DIP
6545	156-1785-00	A	12.100	CR	CRT Controller, MOS	Screened	40 DIP
6545	156-1785-01			DL	CRT Controller, MOS	Screened	40 DIP
6845	156-2729-00		3.250	PP	CRT Controller		40 DIP
68A45	156-3109-00			EN	CRT Controller		40 DIP
6847	156-2569-00	U	4.750	CR	Video Display Generator Interface, NMOS		40 DIP
8275	156-1455-00	A	13.000	CR	Program CRT Controller, NMOS		40 DIP
8279	156-1535-00	N	4.250	CR	Program Keyboard/Display Interface, MOS		40 DIP
9007	156-1763-00	A	24.750	CR	CRT Video Processor/Controller, MOS	Screened	40 DIP

DISK CONTROLLERS AND SUPPORTS

JEDEC/Vendor Number	Part Number	Codes ^a			Description	Other	Case Style
		ND	Cost	ST			
1010	156-2374-00	A	36.000	EN	Disk Controller	Screened	40 DIP
1770	156-2041-00	A	11.500	OT	Single/Double Density Floppy Disk Controller/Formatter	Screened	28 DIP
2010	156-2148-00	U	49.500	CR	Floppy Disk Controller	Screened	40 DIP
2797	156-1983-00	A	30.450	CR	Floppy Disk Controller, NMOS		40 DIP
8272	156-1412-00	A	19.500	CR	Single/Double Density Floppy Disk Controller/Formatter, NMOS		40 DIP
9216	156-1888-00	A	16.450	CR	Floppy Disk Data Separator, MOS		8 DIP
9266	156-2609-00		29.100	PP	Single Chip Floppy Disk Controller		40 DIP

^a The nominal price (at time of printing) is listed in the cost column. For ND Codes (New Design Recommendations) and Status Codes, see tab marked CODES in the back of this catalog.

MICROPROCESSOR SUPPORT (cont)

DIRECT MEMORY ACCESS (DMA) CONTROLLERS

JEDEC/Vendor Number	Part Number	Codes ^a			Description	Other	Case Style
		ND	Cost	ST			
DC010-KA	156-1605-01	N	21.340	CR	DMA Controller, LSTTL		20 DIP
2940	156-1565-00	A	16.400	CR	DMA Address Generator w/3-state Output, Biopolar		28 DIP
6844	156-1458-00	A	5.300	CR	DMA Controller, NMOS		40 DIP
6844	156-1458-01	A		DL	DMA Controller, NMOS	Screened	40 DIP
8237	156-1606-00	A	5.950	CR	Multimode DMA Controller, NMOS		40 DIP
8257	156-1202-00	A	4.300	CR	Programmable DMA Contoller, NMOS	Screened	40 DIP
9306	156-2085-00	U		DL	DMA Controller	Screened	28 DIP
9516	156-2080-00	U	14.300	CR	Universal DMA Controller	Screened	48 DIP
9516	156-2080-01	A	19.700	CR	DMA Controller	Screened	48 DIP
68440	156-2361-00	A	48.000	PP	Dual-channel DMA Controller (10 MHz)		68 PGA
68442	156-3023-00	A		PP	Dual-channel Direct Memory Controller		68 PGA
D82258	156-2477-00		40.000	PP	DMA Controller, MOS	Screened	68 LCC
68450-8	156-2108-00	U	38.000	CR	Dual DMA Controller	Screened	64 DIP
68450-8	156-2108-01	A	26.850	PP	DMA Controller, HMOS		64 DIP

DRIVERS

JEDEC/Vendor Number	Part Number	Codes ^a			Description	Other	Case Style
		ND	Cost	ST			
2965	156-1869-00	A	2.550	CR	Octal Dynamic Memory Driver w/3-state Output	Screened	20 DIP
2966	156-1740-00	U	2.800	CR	Octal Dynamic Memory Driver w/3-state Output, STTL		20 DIP
2976	156-3001-00	U		EN	11-bit Dynamic Memory Driver	Selected	24 DIP

FLOATING-POINT UNITS (FPU)

JEDEC/Vendor Number	Part Number	Codes ^a			Description	Other	Case Style
		ND	Cost	ST			
KEF11	156-1624-00	N	146.250	CR	Floating-point Arithmetic Processor, MOS		40 DIP
3210	156-2914-00		239.170	EN	Floating-point Multiplier, CMOS		100 PGA
3220	156-2915-00		239.170	EN	Floating-point ALU, CMOS		144 PGA
8087	156-1643-00	A	79.000	CR	Numeric Processor Extention, HMOS		40 DIP
8087-2	156-1643-01	A	135.000	EN	Numeric Processor Extention, HMOS	Screened	40 DIP
32081	156-2036-00	A	43.000	CR	Floating-point Unit	Screened	24 DIP
32081	156-3006-00		63.000	CR	Floating-point Unit, XMOS		24 DIP
68881	156-2616-00		315.000	CR	Floating-point Coprocessor (16.67 MHz), HCMOS		68 PGA
80287	156-1883-00	U	110.000	CR	Numeric Data Processor, HMOS		40 DIP
80287	156-1883-01	A	170.000	CR	Numeric Data Process (8 MHz), NMOS		40 DIP

^a The nominal price (at time of printing) is listed in the cost column. For ND Codes (New Design Recommendations) and Status Codes, see tab marked CODES in the back of this catalog.

MICROPROCESSOR SUPPORT (cont)

INTERRUPT CONTROLLER UNITS

JEDEC/Vendor Number	Part Number	Codes ^a			Description	Other	Case Style
		ND	Cost	ST			
8214	156-0963-00	N		DL	Priority Interrupt Control Unit, MOS		24 DIP
8259	156-1204-01	A	4.700	CR	Program Interrupt Controller, NMOS	Screened	28 DIP
9519	156-2207-00	N	16.500	CR	Interrupt Control Unit	Screened	28 DIP
32202	156-2034-00	U	26.000	CR	Interrupt Control Unit	Screened	40 DIP
32202	156-2034-01		26.000	CR	Interrupt Control Unit		40 DIP
84120	156-3003-00		42.000	EN	Message Interrupt Controller, CMOS		69 PGA

LOCAL AREA NETWORKS (LAN)

JEDEC/Vendor Number	Part Number	Codes ^a			Description	Other	Case Style
		ND	Cost	ST			
7990	156-2448-00	A	63.250	CR	Local Area Network Controller		40 DIP
82501	156-2074-00	A	35.000	CS	Ethernet Serial Interface	Screened	20 DIP
82586	156-2043-00	A	58.000	CR	Local Area Network Coprocessor	Screened	48 DIP

MEMORY MANAGEMENT UNITS (MMU)

JEDEC/Vendor Number	Part Number	Codes ^a			Description	Other	Case Style
		ND	Cost	ST			
3242	156-0965-00	U	8.650	CS	Address Multiplexer, Refresh Counter, STTL		28 DIP
3242	156-0965-02	U	8.650	CR	Address Multiplexer, Refresh Counter, STTL	Screened	28 DIP
4289	156-1113-00	N	8.100	CS	Standard Memory Interface, NMOS		40 DIP
8206	156-1880-00		22.500	CR	Error Detection & Correction Unit, NMOS		68 LCC
9451	156-2190-00	A	135.000	CR	Memory Management Unit, Bipolar	Screened	64 DIP
95C60	156-2996-00			EN	Quad, Pixel Dataflow Manager		144 PGA
32082	156-2035-00	A	38.000	OT	Memory Management Unit	Screened	48 DIP
32082	156-2035-01	A		NP	Memory Management Unit		48 DIP
32082	156-3008-00	U	72.000	CR	Memory Management Unit, XMOS		48 DIP
32382-15	156-3090-00			EN	32-bit, Memory Management Unit		125 DIP
	156-2472-00		44.750	PP	Memory Management Unit, Custom Gate Array, CMOS		132 PGA

^a The nominal price (at time of printing) is listed in the cost column. For ND Codes (New Design Recommendations) and Status Codes, see tab marked CODES in the back of this catalog.

MICROPROCESSOR SUPPORT (cont)

PARALLEL I/O PORTS

JEDEC/Vendor Number	Part Number	Codes ^a			Description	Other	Case Style
		ND	Cost	ST			
Z80A-PIO	156-1612-00	A	2.450	CR	Parallel I/O Circuit, NMOS	Screened	40 DIP
2950	156-1389-00	X	5.200	PP	8-bit Bidirect I/O Port, Bipolar		28 DIP
2952	156-1839-00	A	4.110	CR	Octal Bidirect I/O Port, STTL	Screened	24 DIP
2952	156-1952-00			EN	8-bit Bidirect I/O Port w/3-state Output		24 DIP
2953	156-1738-00	A	3.090	CR	8-bit Bidirect I/O Port, Bipolar	Screened	24 DIP
3871	156-1242-00	N	9.560	CS	Peripheral I/O Unit, NMOS		40 DIP
6522	156-1539-00	A	3.500	CR	Peripheral Interface Adapter with Timer, NMOS		40 DIP
6522	156-2265-00	U	4.350	CR	VIA with Interval	Screened	40 DIP
6522	156-1986-00	A	4.560	CS	VIA, I/O (2 MHz)	Screened	40 DIP
6821	156-0427-03	A	6.000	CR	Peripheral Interface Adapter, NMOS		40 DIP
6821	156-0427-04	A	1.450	CR	Peripheral Interface Adapter, NMOS	Screened	40 DIP
68B21	156-1205-00	A	1.700	CR	Peripheral Interface Adapter, NMOS		40 DIP
68B21	156-1205-01	X		DL	Peripheral Interface Adapter, NMOS	Screened	40 DIP
68HC24	156-2657-00	A	19.000	EN	Port Replacement Unit, CMOS		40 DIP
8212	156-0962-00	N	6.550	CS	8-bit I/O Port, MOS		24 DIP
8243	156-1356-00	A	8.550	CR	Input/Output Expander, NMOS		24 DIP
8243	156-1356-01	A		NP	Input/Output Expander, NMOS	Screened	24 DIP
8255A	156-1570-00	A	3.180	CR	Program Peripheral Interface, NMOS		40 DIP
8255	156-1570-01	U	3.400	CR	Program Peripheral Interface, NMOS	Screened	40 DIP

REAL-TIME CLOCK UNITS

JEDEC/Vendor Number	Part Number	Codes ^a			Description	Other	Case Style
		ND	Cost	ST			
381A	156-2623-00		31.800	PP	Custom, Real-time Scope, HMOS		68 LCC
6242	156-2642-00	U	9.050	PP	Real-time Clock Calendar, CMOS		18 DIP
58167	156-1601-00	A	4.500	CR	Real-time Clock Calendar w/3-state Output, CMOS		24 DIP
146818	156-2254-00	U	5.750	CR	Real-time Clock Plus RAM, CMOS	Screened	24 DIP

SYSTEM CONTROLLERS

JEDEC/Vendor Number	Part Number	Codes ^a			Description	Other	Case Style
		ND	Cost	ST			
2911	156-1209-01		6.950	CR	Microprogram Sequencer w/3-state Output, STTL	Screened	20 DIP
8228	156-0947-00	N	6.750	CS	System Controller/Bus Driver, STTL		28 DIP
8228	156-0947-02	X	6.880	LS	System Controller/Bus Driver, NMOS	Screened	28 DIP
8288	156-1427-00	A	6.950	CR	System Controller/Bus Driver, NMOS		20 DIP
8288	156-1427-01	A	7.100	CR	System Controller/Bus Driver, Bipolar	Screened	20 DIP
8289	156-0435-00	U	13.250	CR	Bus Arbiter, Bipolar		20 DIP
9513	156-1550-00	A	12.900	CR	System Timing Controller w/3-state Output, NMOS	Screened	40 DIP
9513	156-1550-01		13.000	CR	System Timing Controller w/3-state Output, NMOS		40 DIP
9901	156-1296-00	N	7.970	CR	Programmable Systems Interface, NMOS		40 DIP
82188	156-2433-00	U	12.700	PP	Integrated Bus Controller	Screened	28 DIP
82288	156-1882-00	U	15.950	CR	Bus Controller, HMOS		20 DIP
82288	156-1882-01	A	15.000	CR	Bus Controller (8 MHz), NMOS		20 DIP
82289	156-1884-00	A	25.450	CR	Bus Arbiter, NMOS		20 DIP
84110	156-3002-00		57.500	EN	Bus Arbiter, Controller, CMOS		84 PGA

^a The nominal price (at time of printing) is listed in the cost column. For ND Codes (New Design Recommendations) and Status Codes, see tab marked CODES in the back of this catalog.

MICROPROCESSOR SUPPORT (cont)

TIMERS

JEDEC/Vendor Number	Part Number	Codes ^a			Description	Other	Case Style
		ND	Cost	ST			
Z80A-CTC	156-1620-00	A	2.840	CR	Counter/Timer Circuit, NMOS	Screened	28 DIP
2942	156-1385-00	A	14.650	CR	Program Timer/Counter, DMA Address Generator	Screened	22 DIP
6840	156-1549-00	A	2.500	CR	Programmable Timer Module, NMOS	Screened	28 DIP
68B40	156-1426-00	A	2.400	CR	Programmable Timer Module, NMOS		28 DIP
8253	156-1036-00	A	4.850	CR	Program Interval Timer, NMOS		24 DIP
8253	156-1036-01	A	5.250	CR	Program Interval Timer, NMOS	Screened	24 DIP
8254	156-1853-00	A	7.750	CR	Program Interval Timer	Screened	24 DIP
82C54	156-2767-00			EN	Counter/Timer, CHMOS		24 DIP

UNIVERSAL ASYNCHRONOUS RECEIVER/TRANSMITTER (UART)

JEDEC/Vendor Number	Part Number	Codes ^a			Description	Other	Case Style
		ND	Cost	ST			
232	156-2724-00			EN	Dual Receiver/Transmitter		16 DIP
Z80A-SIO	156-1424-01	A	5.500	CR	Serial Input/Output, NMOS	Screened	40 DIP
1602	156-0361-03	X		DL	Universal Asynchronous Receiver/Transmitter, MOS		40 DIP
2661	156-1460-00	A	6.000	CR	Enhanced Programmable Communication Interface, NMOS		28 DIP
2681	156-1737-00	A	6.000	CR	Dual Asynchronous Receiver/Transmitter, STTL		40 DIP
2681	156-2596-00		6.250	PP	Dual Asynchronous Receiver/Transmitter, NMOS		28 DIP
2691	156-3018-00			EN	Universal Asynchronous Receiver/Transmitter, CMOS		24 DIP
6402	156-1310-00	A		DL	Universal Asynchronous Receiver/Transmitter, CMOS		40 DIP
6402	156-1310-01		5.560	CR	Universal Asynchronous Receiver/Transmitter, CMOS		40 DIP
6402	156-1310-02	A	4.440	PP	Universal Asynchronous Receiver/Transmitter, CMOS	Screened	40 DIP
6551	156-1987-00	A	5.500	CR	Asynchronous Communication Interface Adapter	Screened	28 DIP
6850	156-0658-00	A	1.500	CS	Asynchronous Communication Interface Adapter, NMOS		24 DIP
6850	156-0658-01	A	3.150	CR	Asynchronous Communication Interface Adapter, NMOS		24 DIP
68B50	156-1206-00	A	1.650	CR	Asynchronous Communication Interface Adapter, NMOS		24 DIP
6852	156-1013-00	A	4.300	CS	Synchronous Serial Data Adapter, NMOS	Checked	24 DIP
8250	156-1336-00	N		NP	Asynchronous Communication Element, NMOS		40 DIP
8250	156-1336-01	A	4.500	CR	Asynchronous Communication Element, NMOS		40 DIP
8250	156-2252-00		9.950	CR	Enhanced Serial Communication Interface		40 DIP
8251	156-0877-00	A	5.500	CR	Univ Synchronous/Asynchronous Receiver/Transmitter, NMOS		28 DIP
8251	156-0877-01	A	5.300	CR	Univ Synchronous/Asynchronous Receiver/Transmitter, NMOS	Screened	28 DIP
8251	156-0877-04	N	3.550	CR	Univ Synchronous/Asynchronous Receiver/Transmitter, NMOS	Screened	28 DIP
82C52	156-2438-00		9.300	CR	Serial Communication Interface, UART	Screened	28 DIP
8256	156-2450-00		6.300	PP	Multifunction Interface		40 DIP
8274	156-1656-00	U	14.100	CS	Multimode Protocol Serial Controller, HMOS		40 DIP
84C40-6	156-2423-00		16.000	EN	Serial Input/Output, CMOS	Screened	40 DIP
8530	156-2076-00	U	7.950	CR	Serial Communication Controller		40 DIP
8530	156-2076-01	U	9.800	CR	Serial Communication Controller	Screened	40 DIP
9902	156-1295-00	N	1.850	CR	Asynchronous Communication Controller, NMOS		18 DIP
68681	156-2103-00	U	6.500	CR	Dual Asynchronous Receiver/Transmitter		40 DIP

^a The nominal price (at time of printing) is listed in the cost column. For ND Codes (New Design Recommendations) and Status Codes, see tab marked CODES in the back of this catalog.

MICROPROCESSOR SUPPORT (cont)

MISCELLANEOUS

JEDEC/Vendor Number	Part Number	Codes ^a			Description	Other	Case Style
		ND	Cost	ST			
PPG-33-10	156-2287-00		14.000	CR	Programmable Pulse Generator		14 DIP
2927	156-1857-00	A	4.000	CR	Quad, 3-state Bus Transceiver with Clock Enable, ALSTTL	Screened	20 DIP
3853	156-1241-00	N	6.750	CR	Static Memory Interface, NMOS		40 DIP
5385	156-2082-00	N	20.000	CR	Small Computer Systems Interface Protocol Controller	Screened	48 DIP
5386	156-3030-00	N		PP	Small Computer Systems Interface Protocol Controller		48 DIP
6500	156-1402-00	N	59.200	CS	Emulator Device, NMOS		64 DIP
6531	156-1530-00	A	11.350	CR	RAM-ROM-I/O, NMOS		40 DIP
7721	156-2137-00	N		EN	ROM-less Signal Processing Interface, NMOS		100 LCC
8038	156-1793-00	N		DL	General-purpose Half-duplex Bidirectional FIFO-buffered 8-bit I/O Port		
8212	156-2445-00		1.700	CR	Programmable Voltage Reference		8 DIP
9006	156-1944-00	A	8.000	CR	Single Row Buffer, NMOS	Screened	24 DIP
29C833	156-2922-00		4.850	EN	Parity Bus Transceiver, CMOS		24 DIP
29853A	156-2920-00		4.850	EN	8-bit Parity Bus Transceiver		24 DIP
29854	156-2921-00		4.850	EN	Parity Bus Transceiver		24 DIP
68121	156-1660-00	A	21.000	CR	Intelligence Peripheral Controller, HMOS		48 DIP

^a The nominal price (at time of printing) is listed in the cost column. For ND Codes (New Design Recommendations) and Status Codes, see tab marked CODES in the back of this catalog.

GENERAL PURPOSE INTERFACE BUS

JEDEC/Vendor Number	Part Number	Codes ^a			Description	Other	Case Style
		ND	Cost	ST			
3440	156-1219-00	A	1.740	CS	Quad Bus Transceiver, TTL		16 DIP
3440P	156-1219-03	A		MP	GPIO Transceiver, TTL	Screened	16 DIP
3441	156-0600-00	A	1.450	CR	Quad Bus Transceiver, TTL		16 DIP
3441	156-0600-01	X		NP	Quad Bus Transceiver, TTL	Checked	
3441	156-0600-02	A		DL	Quad Bus Transceiver, TTL	Screened	16 DIP
3441	156-0600-03	X		DL	Quad Bus Transceiver, TTL	Screened	16 DIP
3448	156-1133-00	A	.710	CR	Quad 3-state Transceiver, TTL		16 DIP
3448	156-1133-01	X		NP	Quad 3-state Transceiver, TTL	Checked	16 DIP
3448	156-1133-02	X		NP	Quad 3-state Transceiver, TTL	Screened	16 DIP
82C55	156-2905-00		2.150	CR	Peripheral Interface, CMOS		24 DIP
8291	156-1257-00	N	16.200	CR	Talker/Listener, NMOS		40 DIP
9914	156-1444-01	A	12.360	CR	Interface Controller, NMOS		40 DIP
9914A	156-1444-02	X		DL	Interface Controller, NMOS		40 DIP
29824	156-1736-00	A	2.500	CR	Hi Performance Bus Interface Register, STTL	Screened	24 DIP
75160	156-1414-00	N	2.810	CR	Octal Data Bus Transceiver, TTL		20 DIP
75160	156-1414-01	A	2.930	CR	Octal Data Bus Transceiver, TTL	Screened	20 DIP
75160	156-1414-02	U	2.650	CR	Octal Data Bus Transceiver, TTL	Screened	20 DIP
75161	156-1415-00	A	3.060	CR	Octal Transceiver Management Bus, TTL		20 DIP
75161	156-1415-01	A	2.800	CR	Octal Transceiver Management Bus, TTL	Screened	20 DIP
75162	156-1459-00	A	3.800	CR	Bus Management Circuit w/3-state Out, LSTTL		22 DIP
80909	156-1246-01		15.500	CR	GPIO Protocol, NMOS	Screened	40 DIP
96LS488	156-1666-00	N		DL	Bus Management Circuit, LSTTL		48 DIP

^a The nominal price (at time of printing) is listed in the cost column. For ND Codes (New Design Recommendations) and Status Codes, see tab marked CODES in the back of this catalog.

SECTION 2

TABLE OF CONTENTS

	Page
MEMORY SELECTION GUIDE	
DYNAMIC RAM (DRAM)	2-2
DYNAMIC RAM (DRAM) CONTROLLERS	2-2
FIRST-IN-FIRST-OUT MEMORIES (FIFO)	2-3
NON-VOLATILE RAM	2-3
PSUEDU STATIC RAM	2-4
FACTORY PROGRAMMABLE XROM	2-5
STATIC RAM (SRAM)	2-7
FIELD PROGRAMMABLE XROM	2-12
 FLEXIBLE DISKS	 2-17
 TEK PART NUMBER TO VENDOR NUMBER	 1-9
 VENDOR NUMBER TO TEK PART NUMBER	 SECTION 10

In the Semiconductor Section of the Supplement Catalog 7, you will find the following information:

- Static Awareness
 - Handling of Static Sensitive Components
- Integrated Circuits - Application Notes
 - Package Number Codes
 - Integrated Circuit Quality and Reliability

CATALOG WRITER: SANDRA PHILLIPS, 629-3030

DYNAMIC RAM (DRAM)

Size	Part Number	Codes ^a			JEDEC/Vendor Number	Case Style	Package	Read Access Time (ns) Max	Power Supply (mA) Max
		ND	Cost	ST					
16K x 4	156-2145-00	A	6.250	CR	41416	18 DIP	Plastic	120.	80.
16K x 4	156-2188-00	A	7.600	CR	2620	18 DIP	Plastic	150.	70.
16K x 4	156-1859-00	A	2.500	CR	4416	18 DIP	Plastic	150.	39.
64K x 1	156-2106-00	A		EN	8264	16 DIP	Cerdip	100.	50.
64K x 1	156-2061-00	A	5.250	CR	51C64	16 DIP	Plastic	120.	40.
64K x 1	156-2064-00	A		OB	4864	16 DIP	Plastic	120.	55.
64K x 1	156-2209-00	A	4.990	CS	2600	16 DIP	Plastic	120.	75.
64K x 1	156-0432-00	A	1.150	CR	2600	16 DIP	Ceramic	120.	75.
64K x 1	156-2165-00	A	6.800	PP	4161 ^b	20 DIP	Plastic	150.	43.
64K x 1	156-1876-00	A	1.150	CR	4164	16 DIP	Plastic/Cerdip	150.	55.
64K x 1	156-2330-00	A	2.250	CR	4161 ^b	20 DIP	Plastic	200.	70.
64K x 1	156-1626-00	A	1.060	CR	4864	16 DIP	Plastic/Ceramic	200.	60.
64K x 4	156-2376-00	A	25.000	CR	85101	22 DIP	Ceramic	120.	18.
64K x 4	156-2372-00	A	3.700	PP	41464-12	18 DIP	Plastic	120.	75.
64K x 4	156-2602-00	A	6.750	CR	41264 ^b	24 DIP	Plastic	150.	115.
64K x 4	156-1953-00	A	19.000	CR	85101	22 SIP	Ceramic	150.	200.
64K x 4	156-2882-00		3.000	CR	41464C-15	18 DIP	Plastic	150.	75.
64K x 4	156-2997-00			EN	41464-12	20 DIP		120.	65.
256K x 1	156-2151-00	A	2.750	CR	41256	16 DIP	Plastic	120.	83.
256K x 1	156-2139-00	A	2.750	CR	41256	16 DIP	Plastic	150.	70.
256K x 1	156-2139-01	A		PP	50256	16 DIP	Plastic	150.	70.
262K x 1	156-2995-00			EN	41256-15	16 DIP			
262K x 4	156-3011-00			EN	514256-12	20 DIP		120.	65.
262K x 8	156-2973-00			CR	4256FL8-12	30 DIP		120	624.
1048K x 1	156-2972-00			CR	511000-12	18 DIP	Plastic	120.	60.

DYNAMIC RAM (DRAM) CONTROLLERS

Part Number	Codes ^a			JEDEC/Vendor Number	Case Style	Package	Power Supply (mA)	DRAMS Supported
	ND	Cost	ST					
156-1442-00	N		DL	8202	40 DIP	Ceramic	250.	16K
156-1599-00	N	13.700	CR	8202	40 DIP	Ceramic	270.	16K
156-1697-00	A	12.200	CR	8203	40 DIP	Ceramic/Cerdip	290.	16K, 64K
156-1749-00	A	12.000	CR	2964	40 DIP	Ceramic/Cerdip	173.	16K, 64K
156-1881-00	A	29.600	CR	8207-16	68 LCC	Ceramic	455.	16K, 64K, 256K
156-1881-02		29.000	CR	8207-16	68 DIP	Ceramic	455.	16K, 64K, 256K
156-2078-00	A	15.900	CR	8409	48 DIP	Plastic/Ceramic	325.	16K, 64K, 256K
156-2296-00	A	19.900	CR	8208	48 DIP	Ceramic	280.	16K, 64K, 256K
156-2545-00		18.500	EN	74LS765	40 DIP		290.	
156-2573-00	A	8.870	PP	4500	40 DIP	Plastic	140.	16K, 64K
156-2989-00			EN	82C08	48 DIP		10. + 21.	64K, 256K

^a The nominal price (at time of printing) is listed in the cost column. For ND Codes (New Design Recommendations) and Status Codes, see tab marked CODES in the back of this catalog.

^b Video DRAM.

FIRST-IN FIRST-OUT MEMORIES (FIFO)

Function	Process	Bit Geometry	Part Number	Codes ^a			JEDEC/Vendor Number	Case Style	Package	Supply Voltage (V)	Power Supply (mA) Max		Read Address Access Time (nS) Max
				ND	Cost	ST					Active	Standby	
FIFO	ALSTTL	80 — 16 x 5	156-2964-00			EN	74ALS233A	20 DIP		+5.	133.		36.
			156-1867-00	A	6.080	CR	74LS224	16 DIP Screened	+5.			48.	
	HCMOS	4608 — 512 x 9	156-1346-00	X	3.200	CR	3341A	16 DIP Ceramic	+5.	60.	16.	400.	
			156-2371-00 156-3022-00		14.300	EN	4501-15 7201	28 DIP 28 DIP Plastic	+5.	80.	8.	150.	

NON-VOLATILE RAM

Function	Process	Bit Geometry	Part Number	Codes ^a			JEDEC/Vendor Number	Case Style	Package	Supply Voltage (V)	Read/Write Cycle Time (nS)	Store/Recall Cycle Time
				ND	Cost	ST						
MOS	CMOS	16384 — 2048 x 8	156-2398-00		7.000	PP	48Z02-25	24 DIP Plastic	+5.	250./250.	250. nS/250. nS	
			156-2671-00		7.950	PP	1220	24 DIP	+5.	200./200.	200. nS/200. nS	
	NMOS	256 — 16 x 16	156-2029-00	A	1.600	CR	2444	8 DIP Cerdip/Plastic	+5.	Bit Serial	10. mS/2500. nS	
			156-2570-00		1.600	PP	2444	8 DIP Plastic	+5.		10. mS/1200. nS	
	NMOS	256 — 64 x 4	156-1959-00	A	4.900	CR	2210	18 DIP Ceramic/Cerdip	+5.	300./300.	10. mS/1200. nS	
			156-2491-00		7.400	CR	2001	24 DIP	+5.	300./300.	10. mS/5000. nS	
		1024 — 128 x 8	156-1654-00	A	11.400	CR	2201A-30	18 DIP Ceramic/Cerdip	+5.	300./300.	10. mS/1200. nS	
			1024 x 1									

^a The nominal price (at time of printing) is listed in the cost column. For ND Codes (New Design Recommendations) and Status Codes, see tab marked CODES in the back of this catalog.

PSUEDU STATIC RAM

Function	Process	Bit Geometry	Part Number	Codes ^a			JEDEC/Vendor Number	Case Style	Package	Supply Voltage (V)	Power Supply (mA) Max		Read Address Access Time Max	Write Pulse Width (nS) Min
				ND	Cost	ST					Active	Standby		
MOS	CMOS	262114 — 32768 x 8	156-2640-00	46.00	CR	43256C-10	28 DIP	Plastic	+5.	70.	5.	100.	70.	
			156-2641-00				28 DIP		+5.	70.	5.	150.	90.	
			156-2687-00		EN	65256	28 DIP		+5.	65.	2.	75.	25.	
	NMOS	65536 — 8192 x 8	156-1734-00	N	NP	2186-30	28 DIP	Cerdip, Scrnd	+5.	70.	20.	300.	40.	

^a The nominal price (at time of printing) is listed in the cost column. For ND Codes (New Design Recommendations) and Status Codes, see tab marked CODES in the back of this catalog.

FACTORY PROGRAMMABLE XROM

Function	Process	Bit Geometry	Part Number	Codes ^a			JEDEC/Vendor Number	Case Style	Package	Supply Voltage (V)	Power Supply (mA) Max		Read Address Access Time (nS) Max
				ND	Cost	ST					Active	Standby	
BIPOLAR	TTL	4096 — 512 x 8	062-4589-00	N		EN	8205N	24 DIP	Ceramic	+5.	170.		75.
			062-4175-00	N		EN	9208DC	24 DIP	Ceramic/Cerdip	+5.	13.		400.
MROM	NMOS	8192 — 1024 x 8	062-4171-00	N		EN	6831BC/E	24 DIP	Ceramic/Cerdip	+5.	60.		450.
			062-4171-01	N		EN	6831BP	24 DIP	Plastic	+5.	60.		450.
			062-4177-00	N		EN	6832L	24 DIP	Ceramic/Cerdip	+5.	45.		500.
			062-4586-00	N		EN	8316A	24 DIP	Ceramic/Plastic	+5.	85.		850.
		16384 — 2048 x 8	062-4591-00	N		EN	6590L	24 DIP	Ceramic	+5.	45.		800.
			062-4170-00	N		EN	2332	24 DIP	Ceramic/Cerdip	+5.	120.		450.
			062-4172-00	N		EN	2632FN	24 DIP	Ceramic/Cerdip	+5.	80.		450.
			062-4182-00	A		EN	4732J	24 DIP	Ceramic/Cerdip	+5.	150.		450.
		32768 — 4096 x 8	062-4182-01	A		EN	4732N	24 DIP	Plastic	+5.	150.		450.
			062-4504-00	N		EN	68A332	24 DIP	Ceramic/Cerdip	+5.	80.		450.
			062-4654-00	N		EN	52132	24 DIP	Ceramic/Cerdip	+5.	130.		450.
			062-4670-00	N		EN	2333	24 DIP	Ceramic	+5.	120.		450.
		65536 — 8192 x 8	062-4670-01	N		EN	2333	24 DIP	Plastic	+5.	120.		450.
			062-5549-00	N		EN	8332A-DC	24 DIP	Ceramic/Cerdip	+5.	90.		450.
			062-5549-01	N		EN	8332A-PC	24 DIP	Plastic	+5.	90.		450.
			062-4325-00	N		DL	36000P	24 DIP	Ceramic/Cerdip	+5.	40.		250.
			062-4325-01	N		EN	36000N	24 DIP	Plastic	+5.	40.		250.
			062-4503-00	N		EN	36000P	24 DIP	Ceramic/Cerdip	+5.	40.	8.	300.
			062-4503-01	N		EN	36000N	24 DIP	Plastic	+5.	40.	8.	300.
			062-5457-00	N		EN	2364	24 DIP	Ceramic/Cerdip	+5.	120.		450.
MOS			062-5879-00	N		EN	68B364L	24 DIP	Ceramic/Cerdip	+5.	40.	10.	250.
			062-5879-01	A		EN	68364-25	24 DIP	Plastic	+5.	40.	10.	250.
			062-7071-00	A		EN	68364-30	24 DIP	Ceramic/Cerdip	+5.	40.	10.	300.
			062-7071-01	A		EN	68364-30	24 DIP	Plastic	+5.	40.	10.	300.

^a The nominal price (at time of printing) is listed in the cost column. For ND Codes (New Design Recommendations) and Status Codes, see tab marked CODES in the back of this catalog.

FACTORY PROGRAMMABLE XROM (cont)

Function	Process	Bit Geometry	Part Number	Codes ^a			JEDEC/Vendor Number	Case Style	Package	Supply Voltage (V)	Power Supply (mA) Max		Read Address Access Time (nS) Max	
				ND	Cost	ST					Active	Standby		
BIPOLAR MROM MOS	NMOS	262144 — 32768 x 8	062-7662-00	A	7.662	CR	38000	28 DIP	Plastic	+5.	100.	50.	250.	
		PMOS	2048 — 256 x 8	062-4592-00	N		EN	5213	24 DIP	Ceramic/ Plastic	+5.	35.		600.
			4096 — 512 x 8	062-4585-00	N		EN	5214	24 DIP	Ceramic/ Plastic	+5.	37.		
ROM MOS	NMOS	8064 — 128 x 7 x 9	156-0950-00	A	8.650	LS	66750	24 DIP	Ceramic/ Cerdip	+5.	525.		350.	
	PMOS	3072 — 64 x 6 x 8	156-0871-00	N		OB	2516	24 DIP	Plastic	+5.			450.	

^a The nominal price (at time of printing) is listed in the cost column. For ND Codes (New Design Recommendations) and Status Codes, see tab marked CODES in the back of this catalog.

STATIC RAM (SRAM)

Function	Process	Bit Geometry	Part Number	Codes ^a			JEDEC/Vendor Number	Case Style	Package	Supply Voltage (V)	Power Supply (mA) Max		Read Address Access Time Max	Write Pulse Width (nS) Min	
				ND	Cost	ST					Active	Standby			
BIPOLAR	ECL	64 — 16 x 4	156-0847-00	A	4.860	CR	10145	16 DIP	Ceramic	-5.2	-130.	15.	8.		
			156-0847-01	A	3.560	CR	10145	16 DIP	Ceramic, Scrnd	-5.2	-130.	15.	8.		
		128 — 128 x 1	156-0881-00	A	15.000	LR	95400DC	16 DIP	Ceramic	-5.2	-83.	17.5	10.5		
			156-1700-00	N	8.000	CR	10402PC/DC	16 DIP	Ceramic/Plastic	-5.2		5.	2.5		
			156-1700-01	U	5.368	CR	10H145	16 DIP	Plastic	-5.2	150.	6.	6.		
		256 — 256 x 1	156-1035-01	N	3.700	CR	10147LDS	16 DIP	Ceramic, Scrnd	-5.2	-100.	12.	15.		
			156-0657-00	N	4.500	CR	10144L	16 DIP	Ceramic	-5.2	-130.	35.	20.		
			156-0657-01	N		OB	10144L	16 DIP	Checked	-5.2	-130.	35.	20.		
			156-0657-02	N	4.100	CS	10144L	16 DIP	Scrnd	-5.2	-130.	35.	20.		
		1024	256 x 4	156-1297-00	X	6.820	LR	7072EC	22 DIP	Ceramic	-5.2	-200.	15.	10.	
				156-1297-01	X		DL	7072EC	22 DIP	Scrnd	-5.2	-200.	15.	10.	
				156-1635-00	N	4.750	CR	10422	24 DIP	Ceramic/Cerdip	-5.2	-220.	10.	7.	
				156-1845-00	A	7.590	CR	100422	24 DIP	Flatpack	-5.	-180.	10.	7.	
				156-2155-00	A	7.300	CR	10422	24 DIP	Ceramic	-5.2	-200.		7.	
				156-2172-00	A	4.950	CR	10422	24 DIP	Ceramic/Cerdip	-5.2	-200.	13.	6.	
				1024 x 1	156-0761-00	A	3.250	CR	101415	16 DIP	Ceramic/Cerdip	-5.2	-150.	29.	25.
					156-0761-01	A		DL	101415	16 DIP	Checked	-5.2	-150.	29.	25.
					156-1685-00	N	7.000	CR	2112-1	16 DIP	Ceramic	-5.2	-200.	8.	6.
				4096	1024 x 4	156-1679-00	A	10.130	CR	10474	24 DIP	Ceramic	-5.2	-200.	25.
		156-1679-01	A			9.600	PP	10474	24 DIP	Ceramic	-5.2	-220.	15.	8.	
4096 x 1	156-1227-00	N	7.760		CR	10470	18 DIP	Ceramic/Cerdip	-5.2	-200.	35.	25.			
	156-1227-01	A	13.870		CR	10470DCQP	18 DIP	Ceramic/Cerdip	-5.2	-200.	35.	25.			
16384	4096 x 4	156-2705-00		47.600	PP	10484-15	28 DIP		-5.2	-240.	15.	15.			
	16384 x 1	156-1975-00	A	18.000	CR	10480	20 DIP	Cerdip	-5.2	-170.	25.	30.			

^a The nominal price (at time of printing) is listed in the cost column. For ND Codes (New Design Recommendations) and Status Codes, see tab marked CODES in the back of this catalog.

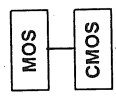
STATIC RAM (SRAM) (cont)

Function	Process	Bit Geometry	Part Number	Codes ^a			JEDEC/Vendor Number	Case Style	Package	Supply Voltage (V)	Power Supply (mA) Max		Read Address Access Time Max	Write Pulse Width (nS) Min			
				ND	Cost	ST					Active	Standby					
BIPOLAR	TTL	64 — 16 x 4	156-0192-02	N	1.800	CR	7489N3	16 DIP	Scrnd	+5.	110.		50.	30.			
			156-0199-00	N	1.750	CR	82S25N/F	16 DIP	Plastic	+5.	105.		50.	30.			
			156-0339-00	N		NP	8599N	16 DIP	Plastic	+5.	120.		45.	40.			
			156-0339-02	N	1.120	CR	8599N	16 DIP	Scrnd	+5.	120.		45.	40.			
			156-0599-00	N	1.590	CR	27LS03	16 DIP	Plastic	+5.	25.		80.	80.			
			156-0599-01	N	2.750	CR	27LS03	16 DIP	Ceramic,	+5.	25.		80.	80.			
			156-1189-00	N	1.750	CR	74S189J	16 DIP	Ceramic Scrnd	+5.	110.		35.	25.			
			156-1189-01	N	1.800	CR	74S189JB	16 DIP	Ceramic, Scrnd	+5.	110.		35.	25.			
			156-1633-00	A	3.900	CR	27S03ADCB	16 DIP	Ceramic/ Cerdip	+5.	100.		25.	20.			
			156-1934-00	A	2.890	CR	74F189	16 DIP	Screened	+5.	55.		27.	6.			
			156-2201-00	A	2.840	CR	74F219	16 DIP	Screened	+5.	55.		14.	6.			
			MOS	CMOS	256 — 256 x 1	156-1357-00	A	3.750	CR	27LS00DCB	16 DIP	Screened	+5.	70.		45.	35.
						156-1171-00	N	8.500	CS	82S09-I	28 DIP	Ceramic, Scrnd	+5.	190.		45.	35.
					1024 — 256 x 4	156-1223-00	A	14.500	CS	93422	22 DIP Selctd	Ceramic,	+5.	155.		45.	25.
						156-1293-00	A	5.150	CR	93L422	22 DIP	Plastic	+5.	80.		60.	45.
						156-1293-01	N	3.700	CR	93L422	22 DIP	Screened	+5.	90.		60.	45.
						156-1360-00	A	3.330	CS	93422	22 DIP		+5.	155.		45.	30.
						156-1360-01	A	3.900	CR	93422	22 DIP	Screened	+5.	155.		45.	45.
64 — 16 x 4	156-2912-00					2.900	EN	7C190-25	16 DIP	Plastic	+5.	55.		25.	20.		
	156-2425-00					25.000	CR	55257	28 DIP	Plastic	+5.	45.	3.	120.	80.		
256 x 4	156-2486-00	A				12.000	CR	7C122	22 DIP	Ceramic/ Plastic	+5.	60.	35.	25.			
	1024 X 1	156-1995-00	A	9.900	CR	93425	16 DIP	Ceramic	+5.	155.	20.	15.					
156-2507-00		A	12.000	CR	7C122	22 DIP	Ceramic/ Plastic	+5.	60.	25.	15.						

^a The nominal price (at time of printing) is listed in the cost column. For ND Codes (New Design Recommendations) and Status Codes, see tab marked CODES in the back of this catalog.

STATIC RAM (SRAM) (cont)

Function	Process	Bit Geometry	Part Number	Codes ^a			JEDEC/Vendor Number	Case Style	Package	Supply Voltage (V)	Power Supply (mA) Max		Read Address Access Time Max	Write Pulse Width (nS) Min
				ND	Cost	ST					Active	Standby		
			156-1359-02	N	4.850	LS	8414E/C	18 DIP	Ceramic	+5.	3.	.05	370.	80.
			156-1429-00	X	1.960	LS	444C	18 DIP	Plastic	+5.	40.	.1	450.	300.
			156-1429-01	X		DL	444	18 DIP	Plastic, Scrnd	+5.	40.	.05	450.	450.
		4096 — 1024 x 4	156-1695-00	N	4.200	CR	2149	18 DIP	Ceramic	+5.	180.		45.	35.
			156-1695-01	A	6.500	CR	7C149	18 DIP	Plastic	+5.	80.		35.	30.
			156-1786-00	A	2.300	LR	4334P-3	18 DIP	Plastic	+5.	7.	.1	460.	460.
			156-2510-00	A	5.250	CR	7C148	18 DIP	Ceramic/Plastic	+5.	110.	10.	45.	35.
			156-2104-00	N	3.750	CR	6514-9	18 DIP	Cerdip/Plastic	+5.	7.	.025	320.	300.
		4671 — 519 x 9	156-2513-00	A		DL	2150	24 DIP	Ceramic	+5.	120.		45.	25.
			156-1706-00	N	1.950	CR	5516APL	24 DIP	Plastic	+5.	70.	.2 μA	250.	200.
			156-2015-00	A	2.300	CR	TC5517APL	24 DIP	Plastic	+5.	70.	.2 μA	200.	160.
		2048 x 8	156-2146-00	N	4.310	CR	6116	24 DIP	Plastic, Narrow	+5.	15.	4.	150.	80.
			156-2399-00	N		EN	6116	24 DIP	Plastic, Narrow	+5.	15.	4.	120.	70.
			156-2508-00	A	10.500	CR	7C128	24 DIP	Ceramic/Plastic	+5.	120.	20.	45.	20.
			156-2509-00	A	15.000	CR	7C291	24 DIP	Ceramic/Plastic	+5.	100.		35.	
			156-2992-00		6.050	PP	7C128-35	24 DIP		+5.	120.		35.	20.
		4096 x 4	156-1694-01	A	3.820	CR	6168	20 DIP	Plastic	+5.	90.	25.	45.	35.
			156-3048-00			EN	7C128-25	24 DIP		+5.	120.		25.	12.
			156-2788-00		4.950	PP	7C168-45	20 DIP		+5.	70.		45.	35.
			156-2911-00		9.650	EN	7C168-25	20 DIP	Plastic	+5.	90.		25.	20.
			156-2025-00	X		DL	5564PL-10	28 DIP	Plastic	+5.	45.	2.	100.	70.
			156-1842-00	A	4.500	CR	6264	28 DIP	Flatpack, Plastic	+5.	80.	3.	150.	90.
			156-2066-00	A	4.750	CR	6264P-12	28 DIP	Plastic	+5.	80.	3.	120.	70.
			156-2274-00	A	5.000	CR	6264	28 DIP	Plastic	+5.	80.	3.	120.	70.
			156-2282-00	X		DL	6264	28 DIP	Plastic	+5.	110.	2.	150.	90.
			156-2446-00	A	3.300	PP	4464	28 DIP	Plastic	+5.	35.	.01	200.	140.
			156-2473-00	A	3.850	CR	4464	28 DIP	Plastic	+5.	35.	.01	200.	140.
		65536 — 8192 x 8	156-3049-00			EN	81C78A-45	28 DIP						
			156-2483-00	A	3.850	CR	4464	28 DIP	Plastic	+5.	40.	.01	150.	100.
			156-2991-00			EN	DS1225	28 DIP		+5.	50.	7.	200.	150.



^a The nominal price (at time of printing) is listed in the cost column. For ND Codes (New Design Recommendations) and Status Codes, see tab marked CODES in the back of this catalog.

STATIC RAM (SRAM) (cont)

Function	Process	Bit Geometry	Part Number	Codes ^a			JEDEC/Vendor Number	Case Style	Package	Supply Voltage (V)	Power Supply (mA) Max		Read Address Access Time Max	Write Pulse Width (nS) Min		
				ND	Cost	ST					Active	Standby				
MOS	CMOS	65536	16384 x 4	156-2665-00	A	68.150	CR	64SK4	22 DIP	Plastic	+5.	100.	20.	45.	25.	
			65536 x 1	156-2713-00		9.650	CR	1600	22 DIP		+5.	120.	20.	55.	30.	
		262144	65536 x 4	156-2955-00			EN	41264-15	24 DIP		+5.	80.	30.	150.	100.	
				156-2955-01			EN	41C264-12	24 DIP		+5.	100.	40.	120.	90.	
		NMOS	1024	128 x 8	156-0716-00	A	3.000	CR	6810A	24 DIP	Ceramic	+5.	130.		500.	400.
					156-0716-01	A	5.350	CR	6810A	24 DIP	Ceramic, Scrnd	+5.	130.		500.	400.
					156-1591-00	A	3.950	CR	68B10SD	24 DIP	Ceramic/ Cerdip	+5.	100.		250.	210.
				256 x 4	156-0698-00	N	2.050	CS	9101BDC	22 DIP	Ceramic/ Plastic	+5.	60.		450.	250.
					156-0698-01	X		DL	9101BDC	22 DIP	Checked	+5.	60.		450.	250.
					156-1188-00	X	3.100	LS	9111DDC	18 DIP	Ceramic	+5.	70.		250.	150.
	156-1298-00				X		NP	21H01-2	22 DIP	Ceramic	+5.	90.		200.	170.	
	1024 x 1			156-1298-01	X		DL	21H01-2	22 DIP	Screened	+5.	90.		200.	170.	
				156-0291-00		.880	LS	2102	16 DIP	Plastic, Scrnd	+5.	50.		350.	250.	
				156-0291-01	X		DL	2102	16 DIP	Checked	+5.	50.		350.	250.	
	NMOS	2048	256 x 8	156-1278-00	A	2.500	CS	2115A	16 DIP	Ceramic	+5.	125.		45.	30.	
				156-1730-00	N	6.300	CS	8155	40 DIP	Ceramic, Scrnd	+5.	125.		400.		
				156-0943-00	X	10.650	LS	4804A	18 DIP	Ceramic	+5.	100.		450.	375.	
				156-0943-01	X			4804A	18 DIP	Checked	+5.	100.		450.	375.	
				156-1028-00	A	1.650	CR	2114AL-4	18 DIP	Ceramic	+5.	135.		450.	200.	
				156-1028-01	A		OB	2114AL-4	18 DIP	Screened	+5.	135.		450.	210.	
156-1042-00				N	13.200	CR	9130BDC	22 DIP	Ceramic	+5.	110.		400.	250.		
156-1127-00				A	1.200	CR	2114AL	18 DIP	Ceramic/ Plastic	+5.	50.		450.	200.		
156-1127-01						DL	2114L	18 DIP	Ceramic/ Plastic Scrnd	+5.	50.		450.	200.		
NMOS				4096	1024 x 4	156-1281-00	N	1.650	CS	2114AL-4	18 DIP	Plastic	+5.	50.		200.
	156-1323-00	A	3.850			CR	91L24CDC	18 DIP	Ceramic	+5.	50.	20.	300.	200.		
	156-1323-01	A	4.000			CR	91L24CDC	18 DIP	Ceramic, Scrnd	+5.	50.	20.	300.	200.		
	156-1461-00	A	1.200			CR	2114AL-4	18 DIP	Ceramic/ Plastic	+5.	50.		200.	120.		
	156-1461-01	A				DL	2114AL	18 DIP	Screened	+5.	50.		200.	120.		
	156-1574-00	A	3.750			CR	2148HL-3	18 DIP	Ceramic/ Cerdip	+5.	125.	20.	55.	40.		
	156-1580-00	X				DL	2148HL	18 DIP	Ceramic/ Cerdip	+5.	125.	20.	70.	50.		
	156-1614-00	A	1.650			CR	2114AL-3	18 DIP	Ceramic/ Cerdip	+5.	40.		150.	90.		
	156-2162-00		16.000			CR	9150	24 DIP	Ceramic	+5.	180.		45.	30.		

^a The nominal price (at time of printing) is listed in the cost column. For ND Codes (New Design Recommendations) and Status Codes, see tab marked CODES in the back of this catalog.

STATIC RAM (SRAM) (cont)

Function	Process	Bit Geometry	Part Number	Codes ^a			JEDEC/Vendor Number	Case Style	Package	Supply Voltage (V)	Power Supply (mA) Max		Read Address Access Time Max	Write Pulse Width (nS) Min
				ND	Cost	ST					Active	Standby		
MOS	NMOS	4096 — 4096 x 1	156-0987-00	N	11.900	CR	9140BDC	22 DIP	Ceramic	+5.	110.	56.	400.	165.
			156-0987-01	X		DL	9140BDC	22 DIP	Checked	+5.	110.	56.	400.	165.
			156-0987-02	N		DL	9140BDC	22 DIP	Screened	+5.	110.	56.	400.	165.
			156-1228-00	A	2.250	CR	6147/2147	18 DIP	Ceramic/ Cerdip	+5.	160.	20.	70.	40.
			156-1613-00	A	3.000	CR	6147/21L47	18 DIP	Ceramic/ Cerdip	+5.	125.	15.	55.	25.
			156-1690-00	A	5.250	CR	21474-2	18 DIP	Ceramic	+5.	180.	30.	45.	25.
		8192 — 1024 x 8	156-1382-00	N	13.950	CR	4801AP/J-4	24 DIP	Ceramic/ Cerdip	+5.	80.	60.	250.	170.
			156-1575-00	N	14.800	CR	4801A	24 DIP	Ceramic	+5.	80.	60.	120.	75.
			156-1382-02	X		DL	4118AN-4	24 DIP	Plastic	+5.	80.	60.	250.	170.
			156-1383-00	A	14.200	CS	4118A-2	24 DIP	Plastic	+5.	80.	60.	150.	70.
			156-1632-00	A	2.000	CR	6116LP-4	24 DIP	Plastic	+5.	70.	12.	250.	200.
			156-1594-00	A	2.000	CR	6116P-3	24 DIP	Plastic	+5.	70.	2.	150.	90.
		2048 x 8	156-1993-00	A	4.950	CR	2016HL70	24 DIP	Ceramic, Narrow	+5.	120.	20.	70.	30.
			156-2000-00	A	7.000	CR	2018D-45	24 DIP	Ceramic, Narrow	+5.	150.	20.	45.	35.
			156-2016-00	A	2.500	CR	2016P-1	24 DIP	Plastic	+5.	80.	15.	120.	70.
			156-2012-00	A	2.000	CR	6116P-2	24 DIP	Plastic, Scrnd	+5.	80.	15.	120.	70.
			156-1694-00	N	3.640	CR	6168	20 DIP	Plastic	+5.	110.	30.	55.	45.
			156-2378-00		3.750	OT	6168	20 DIP	Plastic	+5.	90.	15.	65.	65.
		16384	156-2451-00	A	3.750	CR	6168	20 DIP	Plastic	+5.	90.	15.	95.	70.
			156-1615-00	A	5.700	CR	1400-55	20 DIP	/	+5.	180.	30.	55.	30.
			156-1615-01	A	5.000	CR	1400-35	20 DIP	Screened	+5.	120.	20.	35	20.
			156-0968-02		2.170	CR	416C-2	16 DIP	Plastic	+5.	35.	3.	200.	200.
156-1941-00				DL	2187-3	28 DIP	Screened Cerdip	+5.	70.	20.	300.	40.		
65536 — 8192 x 8														

^a The nominal price (at time of printing) is listed in the cost column. For ND Codes (New Design Recommendations) and Status Codes, see tab marked CODES in the back of this catalog.

FIELD PROGRAMMABLE XROM

Function	Process	Bit Geometry	Part Number	Codes ^a			JEDEC/Vendor Number	Case Style	Package	Supply Voltage (V)	Power Supply (mA) Max		Read Address Access Time (nS) Max
				ND	Cost	ST					Active	Standby	
ECL	256	32 x 8	156-1037-00	A	6.570	CR	10139L	16 DIP	Ceramic/Plastic	-5.2	145.	20.	
		64 x 4	156-1673-00	A	6.603	CR	10149L	16 DIP	Ceramic/Cerdip	-5.2	135.	25.	
PROM	STTL	1024	156-2631-00	A		DL	27LS19	16 DIP	Ceramic	+5.	80.	55.	
			156-0305-00	A	1.200	CR	27S18CDE	16 DIP	Ceramic	+5.		40.	
			156-0785-00	N	1.250	LR	5610CJE	16 DIP	Ceramic	+5.	100.	50.	
			156-1151-00	A	.900	CR	74S288J	16 DIP	Ceramic	+5.	110.	30.	
			156-1325-00	A	1.470	CS	18SA030	16 DIP	Ceramic	+5.	110.	40.	
			156-1814-00	A	1.000	CR	27S19	16 DIP	Ceramic	+5.	115.	40.	
			156-2913-00		2.110	EN	38S030-15	16 DIP	Plastic	+5.	125.	15.	
			156-0905-00	N	1.700	LR	93427DC	16 DIP	Ceramic	+5.	110.	40.	
			156-1343-00	A	.800	CR	82S129J	16 DIP	Ceramic	+5.	120.	50.	
			156-1452-00	A	1.300	CR	74S287J	16 DIP	Ceramic/Cerdip	+5.	130.	50.	
			156-1628-00	A	1.700	CR	63S141J	16 DIP	Ceramic, Cerdip	+5.	130.	45.	
			156-2734-00		.750	PP	82S129A	16 DIP		+7.	120.	27.	
			156-1560-00	A	2.100	CR	6309-1/J20	20 DIP	Ceramic/Cerdip	+5.	170.	70.	
			156-2803-00		1.750	CR	63S281	20 DIP		+5.	140.	45.	
			156-2865-00		2.350	CR	63S281	20 DIP	Ceramic	+5.	140.	45.	
			156-0859-00	N		NP	6306-1J	16 DIP	Ceramic	+5.	130.	60.	
			156-0859-01		1.750	CR	63S241	16 DIP	Plastic	+5.	130.	45.	
			156-2432-00	A	2.350	EN	83S131	16 DIP	Ceramic	+5.	140.	50.	
			156-2517-00	A	7.500	CR	86S64	16 DIP	Plastic	+5.	140.	30.	
			156-1372-00	N	6.900	LS	18S42	20 DIP	Ceramic	+5.	160.	75.	
156-1392-00	A		NP	6349-1J	20 DIP	Ceramic	+5.	155.	70.				
156-1392-01	A	2.500	PP	63S481	20 DIP	Ceramic	+5.	155.	45.				
156-1462-00	A	2.500	CR	27S29DC	20 DIP	Ceramic/Cerdip	+5.	160.	55.				
156-2213-00	A	3.100	CR	82S147	20 DIP	Ceramic	+5.	155.	45.				
156-2224-00	A	4.100	CR	27S29	20 DIP		+5.	185.	35.				
156-1213-00	A	1.750	CR	6353-1J	18 DIP	Ceramic, Cerdip	+5.	175.	60.				
156-1213-01	A		DL	6353-1J	18 DIP	Ceramic	+5.	140.	45.				
156-2225-00	A	3.500	CR	27S33	18 DIP		+5.8	140.	35.				

^a The nominal price (at time of printing) is listed in the cost column. For ND Codes (New Design Recommendations) and Status Codes, see tab marked CODES in the back of this catalog.

FIELD PROGRAMMABLE XROM (cont)

Function	Process	Bit Geometry	Part Number	Codes ^a			JEDEC/Vendor Number	Case Style	Package	Supply Voltage (V)	Power Supply (mA) Max		Read Address Access Time (nS) Max	
				ND	Cost	ST					Active	Standby		
PROM	STTL	1024 x 8	156-0976-00	A	10.870	CR	82S181F	24 DIP	Ceramic	+5.	175.		70.	
			156-2226-00	A	6.750	CR	27S35	24 DIP		+5.	185.		35.	
		156-1438-00	N	6.000	CR	28S86N	24 DIP		+5.	175.		70.		
		156-1608-00	A	5.900	CR	27S181D-24-1	24 DIP	Ceramic/Cerdip	+5.	180.		60.		
		156-2150-00	A	1.420	EN	6381	24 DIP	Ceramic	+5.	175.		90.		
		8192	2048 x 4	156-1182-00	A	4.450	CR	82S185F	18 DIP	Ceramic	+5.	120.		100.
				156-2636-00		2.850	PP	63S841	18 DIP	Ceramic, Cerdip	+5.	150.		50.
		16384	2048 x 8	156-1354-00	A	10.500	CR	82S191F/1	24 DIP	Ceramic/Cerdip	+5.	175.		80.
				156-2397-00	A	6.760	PP	93Z511	24 DIP	Ceramic/Plastic	+5.	175.		45.
			156-1672-00	A	7.500	CR	27S291DC	24 DIP	Ceramic/Cerdip	+5.	185.		50.	
	156-1675-00		A	8.400	CR	27S191ADC	24 DIP	Ceramic/Cerdip	+5.	185.		35.		
	156-1687-00		A	7.500	CR	27S191DC	24 DIP	Ceramic/Cerdip	+5.	185.		50.		
	156-2635-00			6.750	PP	63RS1681	24 DIP	Ceramic, Narrow	+5.	185.		30.		
	156-2878-00			11.250	CR	63R1681	24 DIP		+5.	185.		25.		
	4096 X 4		156-2149-00	A	14.500	PP	27S41	20 DIP	Ceramic		165.		35.	
	32768	4096 x 8	156-2994-00			EN	27S85	24 DIP		+5.	185.			
			156-2479-00		22.100	CR	27S43	24 DIP	Ceramic/Plastic	+5.	185.		40.	
		8192 x 8	156-2904-00		49.500	CR	27S49A-45	24 DIP		+5.	190.		45.	
		65536	512 x 4	156-1146-00	N	3.710	LS	5604CDE	16 DIP	Ceramic	+5.	140.		70.
	8192			1024 x 8	156-1526-00	A	7.000	CR	82LS181	24 DIP		+5.	80.	
MOS		CMOS	8192 — 1024 x 8		156-2951-00		4.850	EN	7C281-45	24 DIP		+5.	90.	
	16384 — 2048 x 8		156-2709-00			EN	7C291-35	24 DIP	Plastic	+5.	100.		35.	
	NMOS	65536 — 8192 x 8	156-2784-00		11.000	PP	2764A-3	28 DIP	Plastic	+5.	75.	35.	300.	

^a The nominal price (at time of printing) is listed in the cost column. For ND Codes (New Design Recommendations) and Status Codes, see tab marked CODES in the back of this catalog.

FIELD PROGRAMMABLE XROM (cont)

Function	Process	Bit Geometry	Part Number	Codes ^a			JEDEC/Vendor Number	Case Style	Package	Supply Voltage (V)	Power Supply (mA) Max		Read Address Access Time (nS) Max	
				ND	Cost	ST					Active	Standby		
EPROM	CHMOS	65536 — 65536 x 1	156-2858-00		3.750	CR	27C64	28 DIP	Cerdip	+5.	10.	.1	250.	
			156-2982-00		3.750	EN	27C64	28 DIP	Ceramic	+7.	10.	.1	250.	
	CMOS	65536 — 8192 x 8	156-3111-00				EN	27C64-20	28 DIP					
			156-3052-00				EN	237C256	28 DIP					
		262144 — 32768 x 8	156-2919-00		30.000	CR	27C512-15	28 DIP		+5.	40.	.1	150.	
			156-1017-00	N	2.450	CR	2716	24 DIP	Ceramic/Cerdip	+5.	100.	25.	450.	
		NMOS	32768 — 4096 x 8	156-1101-00	A	8.000	LS	2716JL	24 DIP	Ceramic	+5.	110.		450.
				156-1417-00	N	7.500	CR	2716-1	24 DIP	Ceramic	+5.	100.	25.	350.
				156-1531-00	A	21.000	CR	8755	40 DIP	Ceramic	+5.	180.	30	
				156-1403-00	N	3.500	CR	2732	24 DIP	Ceramic/Cerdip	+5.	150.	35.	450.
				156-1598-00	A	3.150	CR	2732A-3	24 DIP	Ceramic	+5.	150.	35.	300.
				156-1598-01	N	2.250	CR	2732	24 DIP	Plastic	+5.	125.	35.	300.
	156-1625-00			A	3.100	CR	2732A	24 DIP	Ceramic/Cerdip	+5.	150.	35.	250.	
	156-1625-01			A	2.850	CR	2732A	24 DIP	Selected	+5.	150.	35.	250.	
	156-1625-02			A	4.250	CR	2732A	24 DIP	Ceramic/Cerdip, Scrnd	+5.	100.	25.	200.	
	156-1651-00			N	5.700	CR	2732-1DC	24 DIP	Ceramic/Cerdip	+5.	150.	30.	350.	
	156-2143-00			N	2.100	CR	2732	24 DIP	Plastic	+5.	125.	35.	250.	
	156-1596-00			A	4.000	CS	462532	24 DIP	Ceramic/Cerdip	+5.	160.	25.	450.	
	156-1603-00			A	4.900	CR	2764-3	28 DIP	Ceramic/Cerdip	+5.	100.	50.	300.	
	156-1630-00			A	7.500	CS	2764-4	28 DIP	Ceramic/Cerdip	+5.	100.	50.	450.	
	156-1652-00			A	2.950	CR	2764	28 DIP	Ceramic/Cerdip	+5.	150.	50.	250.	
	156-2196-00			N	4.900	CR	2764	28 DIP	Ceramic	+5.	75.	35.	250.	
	156-2197-00		2.900	CR	2764	28 DIP	Ceramic/Cerdip	+5.	75.	35.	450.			
	65536 — 8192 x 8	156-2198-00	A	2.900	CR	2764	28 DIP	Ceramic	+5.	75.	35.	300.		
	156-2408-00	N	4.750	CR	2764	28 DIP	Ceramic/Cerdip	+5.	60.	20.	200.			
	156-2542-00	A	3.500	CR	2764	28 DIP	Plastic	+5.	75.	35.	300.			
	156-1559-00	N	9.020	CR	68764C/L	24 DIP	Ceramic	+5.	160.	25.	450.			
	156-1686-00	N	12.000	CR	68766C35	24 DIP	Ceramic/Cerdip	+5.	160.	25.	350.			
156-1610-00	N	9.738	CR	68766CQD	24 DIP	Ceramic/Cerdip	+5.	160.		350.				

^a The nominal price (at time of printing) is listed in the cost column. For ND Codes (New Design Recommendations) and Status Codes, see tab marked CODES in the back of this catalog.

FIELD PROGRAMMABLE XROM (cont)

Function	Process	Bit Geometry	Part Number	Codes ^a			JEDEC/Vendor Number	Case Style	Package	Supply Voltage (V)	Power Supply (mA) Max		Read Address Access Time (nS) Max		
				ND	Cost	ST					Active	Standby			
EPPROM	MOS	131072 — 16384 x 8	156-1696-00	A	12.950	CR	27128-3	28 DIP	Ceramic	+5.	100.	40.	300.		
			156-2194-00	A	10.950	CR	27128	28 DIP	Ceramic	+5.	100.	40.	200.		
			156-2195-00	A	3.500	CR	27128	28 DIP	Ceramic	+5.	100.	40.	300.		
			156-2575-00	A	4.000	CR	27128	28 DIP	Plastic	+5.	100.	40.	450.		
			156-2632-00	N	5.000	CR	27128	28 DIP	Ceramic	+5.	100.	30.	150.		
			156-1960-00	A	5.300	CR	27256-3	28 DIP	Ceramic/Cerdip	+5.	100.	40.	300.		
			156-1960-01	A	5.300	CR	27256	28 DIP	Ceramic	+5.	100.	40.	300.		
			156-2407-00	A	6.600	CR	27256	28 SIP	Ceramic/Cerdip	+5.	100.	40.	250.		
			156-2447-00	A	8.600	CR	27256	28 DIP	Ceramic	+5.	100.	40.	250.		
			156-2526-00	A	11.000	CR	27512	28 DIP	Ceramic	+5.	125.	40.	250.		
			156-2877-00		14.950	CR	27513	28 DIP		+5.	125.	40.	300.		
			EPPROM	NMOS	524288	65536 x 8									
						16384 x 8 x 4									

^a The nominal price (at time of printing) is listed in the cost column. For ND Codes (New Design Recommendations) and Status Codes, see tab marked CODES in the back of this catalog.

FIELD PROGRAMMABLE XROM (cont)

Function	Process	Bit Geometry	Part Number	Codes ^a			JEDEC/Vendor Number	Case Style	Package	Supply Voltage (V)	Power Supply (mA) Max		Read Address Access Time (nS) Max
				ND	Cost	ST					Active	Standby	
EEPROM	PMOS	1400 — 100 x 14	156-1566-00	X	2.000	CS	1400	14 DIP	Ceramic/Plastic		8.		
			156-2163-00	A	17.850	CR	2816	24 DIP	Ceramic/Cerdip	+5.	100.	50.	250.
	MOS	16384 — 2048 x 8	156-1735-00	A	16.000	CR	2817-4	28 DIP	Ceramic/Cerdip	+5.	150.	60.	450.
			156-2140-00	A	11.000	CR	2817	28 DIP	Ceramic/Cerdip	+5.	120.	55.	450.
	NMOS	16384 — 2048 x 8	156-2192-00	A	14.300	CR	2817	28 DIP	Ceramic/Cerdip	+5.	120.	55.	350.
			156-2881-00		4.300	CR	2816A-250	24 DIP	Ceramic/Plastic	+5.	110.	40.	250.
	CMOS	16384 — 2048 x 8	156-3080-00			EN	2716-300	24 DIP					
			156-2522-00	A	8.350	CR	7C235	24DIP	Ceramic/Cerdip	+5.	90.	40.	
			8192 — 1024 x 8	156-2523-00	A	41.350	PP	7C245	24 DIP	Ceramic/Cerdip	+5.	90.	45.

^a The nominal price (at time of printing) is listed in the cost column. For ND Codes (New Design Recommendations) and Status Codes, see tab marked CODES in the back of this catalog.

FLEXIBLE DISKS**SINGLE SIDE/SINGLE DENSITY**

Part Number	Codes			Size (Inch)	Sectors/Track	Bytes/Sector	Tracks/Side	Unformatted Cap KBytes	Formatted Cap KBytes	Compatibility
	ND	Cost	ST							
119-0848-00	A	3.300	CS	8	32 Hard	128	77	401	315.392	Non Standard Format
119-0967-00	A	1.850	CR	8	26 Soft	128	77	401	246.272	IBM Standard Format

SINGLE SIDE/DOUBLE DENSITY

Part Number	Codes			Size (Inch)	Sectors/Track	Bytes/Sector	Tracks/Side	Unformatted Cap KBytes	Formatted Cap KBytes	Compatibility
	ND	Cost	ST							
119-1011-00	A	2.000	CS	8	32 Hard	256	77	802	630.784	Non Standard Format
119-1376-00	A	1.850	CR	8	Soft		77	802		IBM Standard Format

DOUBLE SIDE/DOUBLE DENSITY

Part Number	Codes			Size (Inch)	Sectors/Track	Bytes/Sector	Tracks/Side	Unformatted Cap KBytes	Formatted Cap KBytes	Compatibility
	ND	Cost	ST							
119-1182-00	A	2.100	CR	8	Soft		77	1604		IBM Standard Format
119-1717-00		300.000	OT	8			77	1600		IBM Standard Format

SPECIAL PURPOSE

Alignment diskettes are available. Part numbers are not included because of dependence on disk drive compatibility.

^a The nominal price (at time of printing) is listed in the cost column. For ND Codes (New Design Recommendations) and Status Codes, see tab marked CODES in the back of this catalog.

SECTION 3

TABLE OF CONTENTS

	Page
CMOS	
ADDERS/COMPARATORS	3-2
BUFFERS/INVERTERS	3-2
COUNTERS	3-3
DECODERS/MULTIPLEXERS	3-3
FLIP-FLOPS	3-4
GATES	3-5
GENERATORS	3-6
LATCHES	3-6
MULTIVIBRATORS	3-6
SHIFT REGISTERS	3-7
TRANSCIVERS	3-7
MISCELLANEOUS	3-8
 TEK PART NUMBER TO VENDOR NUMBER	 SECTION 9
VENDOR NUMBER TO TEK PART NUMBER	SECTION 10

In the Semiconductor Section of the Supplement Catalog 7, you will find the following information:

- Static Awareness
 - Handling of Static Sensitive Components
- Integrated Circuits - Application Notes
 - Package Number Codes
 - Integrated Circuit Quality and Reliability

CATALOG WRITER: SANDRA PHILLIPS, 629-3030

CMOS ADDERS/COMPARATORS

JEDEC/Vendor Number	Part Number	Codes ^a			Description	Other	Case Style
		ND	Cost	ST			
4008B	156-0502-02		.550	CR	4-bit Full Adder	Screened	16 DIP
4585B	156-0548-02		.810	CR	4-bit Magnitude Comparator	Screened	16 DIP

BUFFERS/INVERTERS

JEDEC/Vendor Number	Part Number	Codes ^a			Description	Other	Case Style
		ND	Cost	ST			
4009	156-0503-02	N	.370	CR	Hex, Inverting Buffer	Screened	16 DIP
4010	156-0504-02	N	.360	CR	Hex, Noninverting Buffer	Screened	16 DIP
4049B	156-0494-02	A	.280	CR	Hex, Inverting Buffer	Screened	16 DIP
4050B	156-0330-02	A	.320	CR	Hex, Noninverting Buffer	Screened	16 DIP
4069B	156-0745-01	A	.240	CR	Hex, Inverter	Screened	14 DIP
74HC04	156-2027-00		.370	CR	Hex, Inverter	Screened	14 DIP
74HCU04N	156-1852-00	A	.240	CR	Hex, High Speed		14 DIP
74C14	156-0876-00	N	.500	CR	Hex Inverter, Schmitt Trigger		14 DIP
74C14	156-0876-01	N	.580	CR	Hex Inverter, Schmitt Trigger	Checked	14 DIP
74HC14	156-2392-00		.600	CR	Hex Inverter, Schmitt Trigger	Screened	14 DIP
80C97	156-0649-00	N	.710	CR	3-state Hex, Noninverting Buffer		16 DIP
80C97	156-0649-02	N	.630	CR	3-state Hex, Noninverting Buffer	Screened	16 DIP
80C98	156-1341-00	N		NP	3-state Hex, Inverting Buffer		16 DIP
80C98	156-1341-01	A	.600	CR	3-state Hex, Inverting Buffer	Screened	16 DIP
29C827	156-2923-00		2.000	EN	10-bit, High Performance Buffer, Slim Pkg		24 DIP
74HC125	156-2707-00			EN	Quad, 3-state Buffer		
74C240	156-1994-00	A	.890	CR	Octal, Buffer/Line Driver w/3-state Output		20 DIP
74HC126	156-2580-00		.450	EN	Quad, 3-state Noninverting Buffer		14 DIP
74FCT240D	156-2785-00	A	6.000	EN	Octal, Fast, Buffer/Line Driver		20 DIP
74HCT240N	156-2184-00		.700	CR	Octal, Buffer/Inv w/3-state Output	Screened	20 DIP
74HCT241	156-2245-00		2.000	CR	Octal, Buffer w/3-state Output		20 DIP
74C244	156-0436-00	A	1.150	PP	Octal, Buffer/Line Driver/Inv w/3-state Output	Screened	20 DIP
74FCT244D	156-2786-00		6.000	EN	Octal, Buffer/Line Driver		20 DIP
74HC244	156-3110-00			EN	Octal, Buffer w/3-state Output		20 DIP
74HCT244P	156-1920-00	A	2.100	CR	Octal, Buffer/Line Driver w/Noninverting/3-state Output	Screened	20 DIP
74FCT245D	156-2787-00		6.000	EN	Noninverting Buffer/Transceiver		20 DIP
74HCT541	156-2369-00		1.190	CR	Octal, Buffer/Line Driver w/3-state Output	Screened	20 DIP

^a The nominal price (at time of printing) is listed in the cost column. For ND Codes (New Design Recommendations) and Status Codes, see tab marked CODES in the back of this catalog.

CMOS (cont)

COUNTERS

JEDEC/Vendor Number	Part Number	Codes ^a			Description	Other	Case Style
		ND	Cost	ST			
RDD104 HTCL-2000	156-1717-00 156-2980-00	A	1.300	CR EN	Divider, 4-decade Counter Quad, Decoder/Counter/Bus Interface, 8-bit Tri-state, 12-bit Up/Down, 12 Latch, HCMOS		8 DIP 16 DIP
4017B 4018	156-0799-01 156-0519-01	N A	.670 .460	CR CR	Divider, Decade Counter Preset Divide-by-N Counter	Screened Screened	16 DIP 16 DIP
4020B 4024B	156-0895-01 156-0523-01	A A	.450 .430	CR CR	14-stage Ripple/Carry/Divider/Counter 7-stage Binary Counter	Screened Screened	16 DIP 14 DIP
4040B 4516B 4518B	156-0545-01 156-0582-03 156-0752-01	A A A	.530 .720 .540	CR CR CR	12-bit Binary Counter Binary Up/Down Counter Dual, BCD Up Counter	Screened Screened Screened	16 DIP 16 DIP 16 DIP
4520B 4521 7226B Z84C30 40103B	156-0579-02 156-0864-01 156-1655-00 156-2424-00 156-1568-00	A N U EN A	.540 1.600 16.430 3.500 .890	CR CR CR EN CR	Dual, 4-bit Binary Counter 24-stage Frequency Divider Universal Counter System Counter/Timer Circuit 8-bit Binary Down Counter	Screened Screened	16 DIP 16 DIP 40 DIP 28 DIP 16 DIP
74HC160 74HCT161 74HC161 74C193 74C193	156-1750-00 156-2492-00 156-1762-00 156-0627-00 156-0627-02	A A A N N	1.080 1.370	DL NP CR OB CR	Programmable Counter Async, 4-bit Binary Counter, Resettable Programmable Counter Sync 4-bit Up/Down Binary Counter Sync 4-bit Up/Down Binary Counter	Screened Screened Screened	16 DIP 16 DIP 16 DIP 16 DIP
74HC193 74HC193 74HC393 74HC393 74HC4017	156-2590-00 156-2958-00 156-2906-00 156-2981-00 156-2358-00	CR PP CR EN CR	.990 .400 .750 .640 .890	CR PP CR EN CR	4-bit, Up/Down Binary Counter Sync, 4-bit Up/Down Counter Dual, 4-bit Binary Ripple Counter Dual, 4-bit Decode & Binary Counter High Speed Decade Counter/Divider	Screened	16 DIP 14 DIP 14 DIP 16 DIP
74HC4020 74HCT4020 74HC4040	156-3106-00 156-2355-00 156-2601-00	EN CR P	.650	EN CR DL	14-stage Binary Ripple Counter 14-stage Binary Ripple Counter 12-stage Binary Ripple Counter	Screened	16 DIP 16 DIP 16 DIP

DRIVERS

JEDEC/Vendor Number	Part Number	Codes ^a			Description	Other	Case Style
		ND	Cost	ST			
TSC426 TSC426 TSC427CPA D469 DS3632N-8	156-2458-00 156-2475-00 156-2650-00 156-2462-00 156-1966-00	U	1.250 3.250 1.600 3.100	CR CR CR PP DL	Dual, High Speed Inverting Driver Dual, High Speed Driver Dual, Power MOSFET, Tube Quad, High Current Driver Dual, Peripheral Driver	Screened	8 DIP 8 DIP 8 DIP 14 DIP 8 DIP
4511 4543B UCN5810A UCN5841A UCN5895A-Z	156-0795-01 156-1556-00 156-2669-00 156-2670-00 156-2710-00	A	.560 2.000 1.560 1.340 1.250	CR CS PP PP CR	BCD 7-segment Decoder/Latch/Drvr BCD 7-seg Decoder/Latch/Drvr Display Driver, Interface, 10 Output, Serial Input, w/Latches Relay, 8 Output, Serial Input w/Latches Relay, 8-bit Serial Input w/Latches, Source Output	Screened Screened	16 DIP 16 DIP 18 DIP 18 DIP 16 DIP
7218B 7418A 74FCT240D 74C244 74FCT244D	156-1622-00 156-1621-00 156-2785-00 156-0436-00 156-2786-00	A A A A A	4.620 5.740 6.000 1.150 6.000	CR CR EN PP EN	8-digit LED Driver System (Common Cathode) 8-digit LED Driver System (Common Anode) Octal, Fast, Buffer/Line Driver Octal, Buffer/Line Driver/Inverter w/3-state Output Octal, Buffer/Line Driver	Screened Screened	28 DIP 28 DIP 20 DIP 20 DIP 20 DIP
74HCT244P 74HC367 74C912 82C84A MC145406	156-1920-00 156-2420-00 156-1431-00 156-2344-00 156-2672-00	A	2.100 .750 4.250 6.310	CR EN CR CR EN	Octal, Buffer Line Driver w/Noninverting 3-state Output Hex, Bus Driver w/3-state Output 6-digit BCD Display Counter/Driver Clock Generator/Driver Driver/Receiver, RS-232-C/V .28	Screened	20 DIP 16 DIP 28 DIP 18 DIP 16 DIP

^a The nominal price (at time of printing) is listed in the cost column. For ND Codes (New Design Recommendations) and Status Codes, see tab marked CODES in the back of this catalog.

CMOS (cont)

DECODERS/MULTIPLEXERS

JEDEC/Vendor Number	Part Number	Codes ^a			Description	Other	Case Style
		ND	Cost	ST			
HTCL-2000	156-2980-00			EN	Quad, Decoder/Counter/Bus Interface, 8-bit, Tri-state, 12-bit Up/Down, 12 Latch, HCMOS		16 DIP
H3101	156-3101-00		15.050	EN	Decoder, Leadless Chip Carrier		14 DIP
4028B	156-0756-01	A	.460	CR	BCD to Decimal Decoder	Screened	16 DIP
4511	156-0795-01	A	.560	CR	BDC to 7-segment Latch/Driver/Decoder	Screened	16 DIP
4543B	156-1556-00	A	.730	CR	BCD to 7-segment Latch/Driver/Decoder	Screened	16 DIP
4555B	156-1368-00	A		OB	Dual, Bin 1 of 4 Decoder/Demultiplexer		16 DIP
4556B	156-0898-01	A	.300	CR	Dual, Bin 1 of 4 Decoder/Demultiplexer	Screened	16 DIP
74C42	156-0566-02	A	1.180	CR	BCD to Decimal Decoder	Screened	16 DIP
74C48	156-0886-00	N		NP	BCD to 7-segment Decoder		16 DIP
74C48	156-0886-02	A	1.120	CR	BCD to 7-segment Decoder	Screened	16 DIP
74SC138	156-1956-00	A	2.100	CR	1 of 8 Octal Decoder/Demultiplexer	Screened	16 Dip
74HC139	156-3063-00			EN	Dual, 2 to 4 Line Decoder/Demultiplexer		16 DIP
74HCT139	156-2337-00		.370	PP	Dual, 2 to 4 Line Decoder/Demultiplexer	Screened	16 DIP
74C151	156-0869-01	A	1.550	CR	8-channel Digital Multiplexer	Screened	16 DIP
74HC151	156-3066-00			EN	8 to 1 Sel/Multiplexer		16 DIP
74C154	156-2117-00	U	1.740	CR	4 to 16 Line Decoder/Demultiplexer		
74HC154	156-2717-00	P	.650	PP	4 to 16 Line Decoder/Demultiplexer		24 DIP
74C157	156-0547-00	N	1.570	CR	Quad, 2-input Multiplexer		16 DIP
74C157	156-0547-02	X	1.920	CR	Quad, 2-input Multiplexer		16 DIP
74C157	156-0547-03	A	1.680	CR	Quad, 2-input Multiplexer	Screened	16 DIP
74HC157	156-1958-00	A	.700	CR	Quad, 2-input Data Sel/Multiplexer	Screened	16 DIP
74HC157	156-2088-00		1.600	SC	Quad, 2 to 1 Line Multiplexer		16 DIP
74HCT257	156-2370-00		.330	PP	Quad, 2 to 1 Sel/Multiplexer		16 DIP
AD90021	156-2069-00	U	79.000	CR	High Speed Multiplexer, 16 x 16	Screened	64 DIP

FLIP-FLOPS

JEDEC/Vendor Number	Part Number	Codes ^a			Description	Other	Case Style
		ND	Cost	ST			
4013B	156-0366-02	A	.250	CR	Dual, D-type	Screened	14 DIP
4027B	156-0525-03	A	.290	CR	Dual, J-K Master/Slave	Screened	16 DIP
74HC73	156-2449-01		.740	PP	Dual, J-K w/Reset		14 DIP
74AC74	156-3060-00			EN	Dual, D-type		14 DIP
74HC74	156-2009-00		.280	PP	Dual, D-type		14 DIP
74HC74	156-2009-01		.280	CR	Dual, D-type		14 DIP
74C107	156-0680-02	A	1.500	CR	Dual, J-K w/Clear	Screened	14 DIP
74HC107	156-2851-00		.340	CR	Dual, J-K w/Clear		14 DIP
74HC138	156-2763-00			EN	Dual, J-K		16 DIP
74C173	156-0574-02	A	1.260	CR	Quad, 3-state, D-type	Screened	16 DIP
74C174	156-0682-00	N	.880	CS	Hex, D-type		16 DIP
74C174	156-0682-02	N	.990	CR	Hex, D-type	Screened	16 DIP
74C175	156-0931-00	N	.300	CR	Quad, D-type		16 DIP
74HC175	156-2421-00		.830	EN	Quad, D-type		16 DIP
74C175	156-0931-01	N	.740	CR	Quad, D-type	Screened	16 DIP
74HC273	156-2584-00		.900	PP	Octal, D-type		20 DIP
74C374	156-1327-00	A	1.090	CR	Octal, 3-state, D-type	Screened	20 DIP
74HC374	156-3107-00			EN	Octal, D-type w/3-state Output		20 DIP
74HCT374	156-1646-00	A	1.300	CR	Octal, D-type Edge Triggered w/3-state Output		20 DIP
74HC377N	156-2859-00		.980	CR	Octal, D-type w/Clock Enabler		20 DIP
74HCT277	156-2783-00		1.020	PP	Octal, D-type w/Data Enable		20 DIP
74HC574	156-3069-00			EN	Octal, D-type w/3-state Output		20 DIP

^a The nominal price (at time of printing) is listed in the cost column. For ND Codes (New Design Recommendations) and Status Codes, see tab marked CODES in the back of this catalog.

CMOS (cont) GATES

JEDEC/Vendor Number	Part Number	Codes ^a			Description	Other	Case Style
		ND	Cost	ST			
4001A	156-0349-00	N	.250	CR	Quad, 2-input NOR		14 DIP
4001B	156-0349-01	N	.110	CR	Quad, 2-input NOR		14 DIP
4001A	156-0349-03	N	.340	CR	Quad, 2-input NOR	Screened	14 DIP
4001B	156-0349-06	A	.240	CR	Quad, 2-input NOR	Screened	14 DIP
4002B	156-0754-02	A	.290	CR	Dual, 4-input NOR	Screened	14 DIP
4011A	156-0350-00	N	.250	CR	Quad, 2-input NAND		14 DIP
4011B	156-0350-01	N		NP	Quad, 2-input NAND		14 DIP
4011A	156-0350-02	N	.240	CR	Quad, 2-input NAND	Screened	14 DIP
4011B	156-0350-05	A	.240	CR	Quad, 2-input NAND	Screened	14 DIP
4012	156-0793-02	A	.240	CR	Dual, 4-input NAND	Screened	14 DIP
4019B	156-1352-00	N	.450	CR	Quad, AND/OR Selector	Screened	16 DIP
4023B	156-0524-02	A	.250	CR	Triple, 3-input NAND	Screened	14 DIP
4025B	156-0575-03	A	.240	CR	Triple, 3-input NOR	Screened	14 DIP
4070B	156-0786-02	A	.240	CR	Quad, EX/OR	Screened	14 DIP
4071B	156-1340-01	A	.250	CR	Quad, 2-input OR	Screened	14 DIP
4075B	156-1480-00	A	1.030	CR	Triple, 3-input OR	Screened	14 DIP
4078	156-1320-00	A	.300	CR	8-input OR/NOR	Screened	14 DIP
4081B	156-1478-01	X	.410	CR	Quad, 2-input AND		14 DIP
4082B	156-1787-00	A	.200	CR	Dual, 4-input AND		14 DIP
4086B	156-0753-00	N	.490	CS	Exp, 4-Wide, 2-input AND/OR Inv		14 DIP
4093B	156-0961-00	N	.230	CR	Quad, 2-input NAND, Schmitt Trigger		14 DIP
4093B	156-0961-02	A	.290	CR	Quad, 2-input NAND, Schmitt Trigger	Screened	14 DIP
4572	156-0767-00	N	.250	CR	Hex, 4-inv, 2-input NOR/NAND		16 DIP
4572	156-0767-02	A	.700	CR	Hex, 4-inv, 2-input NOR/NAND	Screened	16 DIP
4519B	156-0505-00	N	.240	CR	4-bit AND/OR Selector		16 DIP
4519C	156-0505-02	A	.580	CR	4-bit AND/OR Selector		16 DIP
74AC00	156-3053-00			EN	Quad, 2-input NAND		14 DIP
74C00	156-0941-00	N		DL	Quad, 2-input NAND		14 DIP
74C00	156-0941-01	A	.290	CR	Quad, 2-input NAND	Screened	14 DIP
74HC00	156-2256-00		.300	CR	Quad, 2-input Positive NAND	Screened	14 DIP
74HC02	156-2026-00		.160	CR	Quad, 2-input NOR		14 DIP
74HC03	156-2685-00	A	.450	EN	Quad, 2-input NAND w/Open Drain Output		14 DIP
74HCT03	156-3054-00			EN	Quad, 2-input NOR		14 DIP
74HCT03	156-3055-00			EN	Quad, 2-input AND		14 DIP
74C08	156-0577-02	A	.450	CR	Quad, 2-input AND	Screened	14 DIP
74HCT08	156-2437-00		.300	CR	Quad, 2-input AND	Screened	14 DIP
74C10	156-0938-00	N		DL	Triple, 3-input NAND		14 DIP
74C10	156-0938-01	A	.320	CR	Triple, 3-input NAND	Checked	14 DIP
74HC10	156-2419-00		.450	EN	Triple, 3-input NAND		14 DIP
74HC11	156-3056-00			EN	Triple, 3-input AND		14 DIP
74HCT11	156-3057-00			EN	Triple, 3-input AND		14 DIP
74HC20	156-3058-00			EN	Dual, 4-input NAND		14 DIP
74C30	156-1397-00	A	.450	CR	8-input NAND	Screened	14 DIP
74HC30	156-3059-00			EN	8-input NAND		14 DIP
74C32	156-0766-00	A		OB	Quad, 1-input OR		14 DIP
74C32	156-0766-02	N	.450	CR	Quad, 2-input OR	Screened	14 DIP
74HC32	156-2463-00		.600	EN	Quad, 2-input OR	Screened	14 DIP
74HC32	156-2643-00			DL	Quad, 2-input OR	Screened	14 DIP
74HCT32	156-2436-00		.300	CR	Quad, 2-input OR	Screened	14 DIP
74HC86	156-3061-00			EN	Quad, 2-input EX/OR		14 DIP
MC14072	156-2777-00			PP	Dual, 4-input OR		14 DIP
14073BCL	156-2778-00		.350	CR	Triple, 3-input AND		14 DIP
74HC132	156-3062-00			EN	Quad, 2-input NAND		14 DIP
74HC366	156-3104-00			EN	Dual, 2-input NOR w/Open Collector Output		14 DIP
74HC4002	156-3070-00			EN	Dual, 4-input NOR		14 DIP
74HC4075	156-2582-00		.310	EN	Triple, 3-input OR		14 DIP

^a The nominal price (at time of printing) is listed in the cost column. For ND Codes (New Design Recommendations) and Status Codes, see tab marked CODES in the back of this catalog.

CMOS (cont) GENERATORS

JEDEC/Vendor Number	Part Number	Codes ^a			Description	Other	Case Style
		ND	Cost	ST			
4702	156-0850-02	A	6.000	CR	Programmable Bit Rate Sync Generator Clock Generator/Driver	Screened	16 DIP
6993	156-1115-00	N	25.000	CR		Screened	24 DIP
82C84A	156-2344-00		6.310	CR		Screened	18 DIP

LATCHES

JEDEC/Vendor Number	Part Number	Codes ^a			Description	Other	Case Style
		ND	Cost	ST			
4042	156-0800-01	A	.550	CR	Quad, Clocked D-type BCD to 7-segment Decoder/Latch/Driver BCD to 7-segment Decoder/Latch/Driver 8-bit, Addressable Latch Octal, D-Type w/3-state Output	Screened	16 DIP
4511	156-0795-01	A	.560	CR		Checked	16 DIP
4543B	156-1556-00		.730	CR		Screened	16 DIP
74HCT259	156-2603-00	U	.550	CR		16 DIP	
74C373	156-1398-00	A	1.350	CR		20 DIP	
74HCT373	156-2134-00		1.160	CR	Octal, 8-bit, D-type Transparent w/3-state Output Octal, D-type w/3-state Output Octal, D-type w/3-state Output Octal, D-type Noninverting w/3-state Output Octal, D-type Flip-flop, Noninverting w/3-state Output		20 DIP
74HCT573	156-3068-00			EN		20 DIP	
74HCT573	156-3077-00			EN		20 DIP	
74HCT573	156-2356-00		2.010	CR		Screened	20 DIP
74HCT574	156-2357-00		1.870	CR		Screened	28 DIP

MEMORIES

SEE MEMORY SELECTION GUIDE, SECTION 2

MULTIVIBRATORS

JEDEC/Vendor Number	Part Number	Codes ^a			Description	Other	Case Style
		ND	Cost	ST			
4528B	156-0578-02	A	.900	CR	Dual, One Shot Dual, Monostable Dual, Monostable Dual, Monostable Dual, Monostable	Screened	16 DIP
4538B	156-1152-00	N	.550	CR		Screened	
4538B	156-1152-01	A	.620	CR		Screened	
74C221	156-0750-02	A	1.490	CR		Screened	16 DIP
74C221	156-0750-03	A	.730	CR		Screened	16 DIP
74C221A	156-2588-00			EN	Dual, One Shot		

^a The nominal price (at time of printing) is listed in the cost column. For ND Codes (New Design Recommendations) and Status Codes, see tab marked CODES in the back of this catalog.

CMOS (cont)

SHIFT REGISTERS

JEDEC/Vendor Number	Part Number	Codes ^a			Description	Other	Case Style
		ND	Cost	ST			
4006B	156-0681-02	A	1.910	CS	18-stage Static	Screened	14 DIP
4014B	156-0568-01	A	1.100	LS	8-stage Sync Parallel Input/Serial Output	Screened	16 DIP
4015B	156-0801-01	A	1.400	CS	Dual, 4-stage Serial Input/Parallel Output	Screened	16 DIP
4021B	156-0576-02	A	.450	CR	8-stage Asynchronous Parallel Input/Serial Output	Screened	16 DIP
4035B	156-0580-02	A	.690	CS	4-bit Parallel Input/Parallel Output	Screened	16 DIP
4094B	156-0796-00	N	.560	CR	8-stage Shift and Store Bus Register		16 DIP
4094B	156-0796-01	A	.560	CR	8-stage Shift and Store Bus Register	Screened	16 DIP
4094B	156-0796-02		.300	CR	8-stage Shift and Store Bus Register		16 DIP
MC14194B	156-2779-00		.910	PP	4-bit, Bi-directional Universal		16 DIP
MC14504	156-1487-00	A	1.460	CR	Hex, Level Shifter, Noninverting	Screened	16 DIP
BCLD							
14562B	156-1878-00	A	2.350	CS	128-bit Static	Screened	14 DIP
14557B	156-1879-00	A	1.840	CS	1 to 64 Bit Variable Length	Screened	16 DIP
74C164	156-0572-02	A	1.200	CR	8-bit Serial Input/Parallel Output w/Clear	Screened	14 DIP
74HC164	156-3064-00			EN	8-bit, Parallel-out, Serial		16 DIP
74C165	156-0625-01	N	.750	CR	8-bit Parallel Input	Screened	16 DIP
74HC165	156-3065-00			EN	8-bit, Serial, Parallel Load		16 DIP
74HC595	156-2349-00		1.300	CR	8-bit, Serial Input/Serial or Parallel Output w/Latched 3-state Output	Screened	16 DIP
74HC597	156-3108-00			EN	8-bit		16 DIP

TRANSCEIVERS

JEDEC/Vendor Number	Part Number	Codes ^a			Description	Other	Case Style
		ND	Cost	ST			
74FCT245D	156-2787-00		6.000	EN	Non-inverting Buffer/Transceiver		20 DIP
74HTC245	156-1921-00		1.870	CR	Octal, Bus w/3-state Output		20 DIP
74HTC245	156-2415-00		1.580	EN	Octal, Bus w/3-state Output		20 DIP

^a The nominal price (at time of printing) is listed in the cost column. For ND Codes (New Design Recommendations) and Status Codes, see tab marked CODES in the back of this catalog.

CMOS (cont) MISCELLANEOUS

JEDEC/Vendor Number	Part Number	Codes ^a			Description	Other	Case Style
		ND	Cost	ST			
ADG003	156-2655-00		5.000	CR	Semicustom, Standard Cell, Slow Logic		40 DIP
123C	156-2453-00	U	25.500	EN	Gate Array, HDSC		40 DIP
CKT141D	156-2566-00		7.500	CR	Gate Array		40 DIP
CKT141D	156-2566-01		7.200	CR	Gate Array		40 DIP
CDP1857D	156-1279-00	A	9.820	CS	4-bit, Bus Buffer Separator, w/3-state Output		16 DIP
123C	156-2453-01		7.200	CR	Gate Array		40 DIP
M324	156-2381-00		20.750	CR	Custom, Standard Cell, Time Base Display		40 DIP
M385R	156-2646-00	U	18.740	PP	Semicustom, Standard Cell, Time Base		40 DIP
CD4007AE/F	156-0352-00		.270	CR	Dual Complementary Pair, Plus Inverter		14 DIP
4490	156-0763-02	A	1.880	CR	Hex, Contact Bouncd Elimntr	Screened	16 DIP
4512B	156-1486-00	A	.450	CR	8-channel Data Selector	Screened	16 DIP
4532	156-1282-00	A	1.600	SC	8-bit Encoder		16 DIP
4532B	156-1282-02		.750	CR	8-bit Encoder		16 DIP
4559B	156-0583-02	A	5.590	CR	Successive Approx Register	Screened	16 DIP
5369	156-1337-00	A	.690	CS	17-stage Programmable OSC/Driver	Screened	8 DIP
AD6002	156-2565-00		21.200	CR	Gate Array		
UPD6530	156-2385-00		23.500	PP	Gate Array, VRS Display Controller		64 DIP
7213	156-1274-00	A	6.100	CR	Crystal Oscillator/Divider		14 DIP
7512	156-2944-00			PP	Dual, SPDT		14 DIP
40115	156-1319-00	A	7.250	CS	8-bit Bidirectional CMOS/TTL Interface Level Controller		22 DIP
5H-2092-AA	156-2454-00	U	23.000	CR	Gate Array, VDSC		40 DIP
74HC147	156-3078-00			EN	10-4 Encoder		16 DIP
74HC173	156-3067-00			EN	4-bit, D-type Register w/3-state Output		16 DIP
74C911	156-1430-00	A	4.200	CR	4-digit Expandable Segment Display Controller		28 DIP
74C923	156-1215-00	N	2.250	CR	20 Key Encoder		20 DIP
74C923	156-1215-01	N	3.600	CR	20 Key Encoder	Screened	20 DIP

^a The nominal price (at time of printing) is listed in the cost column. For ND Codes (New Design Recommendations) and Status Codes, see tab marked CODES in the back of this catalog.



SECTION 4

TABLE OF CONTENTS

	Page
ECL	
ADDERS	4-2
BUFFERS/INVERTERS	4-2
COMPARATORS	4-2
CONVERTERS	4-2
COUNTERS	4-3
DECODERS/MULTIPLEXERS	4-3
DRIVERS	4-4
ENCODERS	4-4
FLIP-FLOPS	4-5
GATES	4-6
GENERATORS	4-7
LATCHES	4-8
RECEIVERS	4-8
REGISTERS	4-9
MISCELLANEOUS	4-10
 TEK PART NUMBER TO VENDOR NUMBER	 SECTION 9
VENDOR NUMBER TO TEK PART NUMBER	SECTION 10

In the Semiconductor Section of the Supplement Catalog 7, you will find the following information:

- Static Awareness
 - Handling of Static Sensitive Components
- Integrated Circuits - Application Notes
 - Package Number Codes
 - Integrated Circuit Quality and Reliability

CATALOG WRITER: SANDRA PHILLIPS, 629-3030

ECL ADDERS

JEDEC/Vendor Number	Part Number	Codes ^a			Description	Other	Case Style
		ND	Cost	ST			
100180	156-1508-00	A	6.800	CR	6-bit		24 DIP
100180FC	156-1507-00	A	7.500	CR	6-bit		Fit Pk
10181	156-0863-00	A	4.040	CR	ALU		24 DIP
10181	156-0863-01	A	3.750	CR	ALU	Screened	24 DIP

BUFFERS/INVERTERS

JEDEC/Vendor Number	Part Number	Codes ^a			Description	Other	Case Style
		ND	Cost	ST			
10188	156-0543-00	A	.750	CR	Hex, Buffer w/Enable		16 DIP
10188	156-0543-01	A	.730	CR	Hex, Buffer	Screened	16 DIP
10H188	156-1992-00		1.302	CR	Hex, Buffer w/Enable		16 DIP
10189	156-0542-00	A	.750	CR	Hex, Inverter		16 DIP
10189	156-0542-01	A	.750	CR	Hex, Inverter	Screened	16 DIP
10189	156-2722-00		1.400	EN	Hex, Inverter, w/Common Enable		16 DIP
10195	156-0630-00	A	.980	CR	Hex, Inverter/Buffer		16 DIP
10195	156-0630-01	A	.620	CR	Hex, Inverter/Buffer	Screened	16 DIP
100122	156-1516-00	A	3.750	CR	9-bit Buffer		24 DIP
100122FC	156-1515-00	A	4.000	CR	9-bit Buffer		Fit Pk

COMPARATORS

JEDEC/Vendor Number	Part Number	Codes ^a			Description	Other	Case Style
		ND	Cost	ST			
1651	156-0705-00	A	7.975	CR	Dual, A/D		16 DIP
4085	156-2770-00			EN	8-bit		
10166	156-1023-01	A	1.070	CR	5-bit Magnitude	Screened	16 DIP
10H166	156-2480-00	U	3.270	CR	5-bit Magnitude	Screened	16 DIP
100166	156-1505-00	A	6.700	CR	9-bit		24 DIP
10124	156-0368-00	A	.690	CR	Quad, TTL to ECL Translator		16 DIP
10124	156-0368-01	A	.760	CR	Quad, TTL to ECL	Screened	16 DIP
10124	166-0368-02	A	.690	CR	Quad, TTL to ECL	Screened	16 DIP
10124	156-0368-03	A	.760	CR	Quad, TTL to ECL	Screened	16 DIP

CONVERTORS

JEDEC/Vendor Number	Part Number	Codes ^a			Description	Other	Case Style
		ND	Cost	ST			
10125	156-0316-00	A	.560	CR	Quad, 2-input ECL to TTL		16 DIP
10125	156-0316-01			NP	Quad, 2-input ECL to TTL	Checked	16 DIP
10125	156-0316-02	A		DL	Quad, 2-input ECL to TTL		16 DIP
10125	156-0316-03	A	.760	CR	Quad, 2-input ECL to TTL	Screened	16 DIP
10125	156-0316-04	A	.760	CR	Quad, 2-input ECL to TTL	Screened	16 DIP

^a The nominal price (at time of printing) is listed in the cost column. For ND Codes (New Design Recommendations) and Status Codes, see tab marked CODES in the back of this catalog.

ECL (cont) COUNTERS

JEDEC/Vendor Number	Part Number	Codes ^a			Description	Other	Case Style
		ND	Cost	ST			
10010	156-0870-00	A	2.990	CS	BCD Decade		16 DIP
10010	156-0870-01	A	3.600	CR	BCD Decade	Screened	16 DIP
10016	156-1038-00	A	3.400	CR	Binary Counter		16 DIP
10016	156-1038-01	A	3.500	CR	Binary Counter	Screened	16 DIP
10H016	156-2142-00		8.260	CR	High Speed Sync 4-bit Binary, Presettable		16 DIP
10136	156-0641-00	A	2.850	CR	Universal Hexadecimal		16 DIP
10136	156-0641-01	A	3.400	CR	Universal Hexadecimal	Screened	16 DIP
10H136	156-1889-00	N	6.222	CR	Sync Hexadecimal	Screened	16 DIP
10137	156-0510-00		5.650	CR	Universal Hexadecimal		
10138	156-0642-00	A	2.200	CR	Bi-Quinary		16 DIP
10138	156-0642-01	A	2.210	CR	Bi-Quinary	Screened	16 DIP
100136	156-1517-00		7.300	CR	4-stage Counter/Shift Register		
100136FC	156-1563-00	A	7.500	CR	4-stage Counter/Shift Register		Fit Pk

DECODERS/MULTIPLEXERS

JEDEC/Vendor Number	Part Number	Codes ^a			Description	Other	Case Style
		ND	Cost	ST			
10134	156-1020-00	A	.560	CR	Dual, Multiplexer w/Latch		16 DIP
10158	156-0746-00	A	.920	CR	Quad, 2-input Noninverting Multiplexer		16 DIP
10158	156-0746-01	A	1.000	CR	Quad, 2-input Noninverting Multiplexer	Screened	16 DIP
10H158	156-1891-00	N	1.625	CR	Quad, 2-input Noninverting Multiplexer	Screened	16 DIP
10H158	156-1990-00			PP	Quad, 2-channel Multiplexer	Screened	16 DIP
10159	156-1796-00	A	1.000	CR	Multiplexer	Screened	16 DIP
10H159	156-1905-00		4.650	CR	Quad, 2-input Multiplexer w/Enable		16 DIP
10161	156-0920-00	A	.960	CS	Binary to 1-8		16 DIP
10161	156-0920-01	A	1.100	CR	Binary to 1-8	Screened	16 DIP
10H161	156-2313-00		6.400	PP	3-8 Line, Decoder		
10162	156-1495-00	A	.850	CR	1 of 8 (Active High Input)		16 DIP
10H162	156-1918-00	U	1.900	CR	Binary to 1-8	Screened	16 DIP
10164	156-0640-00	A	1.190	CR	8-Line Multiplexer		16 DIP
10164	156-0640-01	A		DL	8-Line Multiplexer		16 DIP
10164	156-0640-02	A	1.130	CS	8-Line Multiplexer	Screened	16 DIP
10H164	156-1667-00	N	2.500	CR	Dual, 8-Line Multiplexer	Screened	16 DIP
10171	156-1538-00	A	.930	CR	Dual, 1 of 4 Decoder/Demultiplexer		16 DIP
10H171	156-2115-00		4.400	CR	Binary Decoder		16 DIP
10172	156-0758-00	A	1.160	CS	Dual, Binary to 1-4		16 DIP
10172	156-0758-01	A	1.100	CR	Dual, Binary to 1-4	Screened	16 DIP
10174	156-0637-00	A	1.130	CR	Dual, 4-1 Multiplexer w/Enable		16 DIP
10174	156-0637-01	A	1.220	CR	Dual, 4-1 Multiplexer	Screened	16 DIP
10H174	156-1795-00	A	1.010	CR	Dual, 4-1 Multiplexer	Screened	16 DIP
100155FC	156-1496-00	A	7.300	CR	Quad, Multiplexer w/Latch		Fit Pk
100155	156-1510-00	A	4.250	CR	Quad, Multiplexer w/Latch		24 DIP
100163	156-1557-00	A	6.000	CR	Dual, 8-input Multiplexer	Screened	Fit Pk
100163	156-2541-00			PP	Dual, 8-input Multiplexer		24 DIP
100164FC	156-1085-00	A	4.750	CR	16-input Multiplexer		Fit Pk
100164FC	156-1085-02	A	4.000	CR	16-input Multiplexer		24 DIP
HD100164F	156-1085-03		6.950	CR	16-input Multiplexer		Fit Pk
100170	156-1554-00	A	4.770	CR	Universal Demultiplexer/Decoder		24 DIP
100170FC	156-1504-00	A		DL	Universal Demultiplexer/Decoder		Fit Pk
100171	156-1509-00	A	4.500	CR	Triple, 4-input Mux w/Enable		24 DIP
100171FC	156-1502-00	A	5.300	CR	Triple, 4-input Mux w/Enable		Fit Pk

^a The nominal price (at time of printing) is listed in the cost column. For ND Codes (New Design Recommendations) and Status Codes, see tab marked CODES in the back of this catalog.

ECL (cont)

DRIVERS

JEDEC/Vendor Number	Part Number	Codes ^a			Description	Other	Case Style
		ND	Cost	ST			
8647	156-1739-00	X		DL	High Speed		
10123	156-1592-00	A	.590	OT	4-3-3 NOR Bus		16 DIP
10H123	156-2599-00		.690	CR	Triple, 4-3-3 Input Bus		16 DIP

ENCODERS

JEDEC/Vendor Number	Part Number	Codes ^a			Description	Other	Case Style
		ND	Cost	ST			
10165	156-1022-00	A		DL	8-bit Priority Encoder		16 DIP
10165	156-1022-01	A	1.070	CR	8-bit Priority Encoder		16 DIP
10H165	156-2600-00		1.840	PP	8-bit Priority Encoder		16 DIP
100165	156-1678-00	A	5.500	CR	Universal Priority Encoder	Screened	24 DIP

^a The nominal price (at time of printing) is listed in the cost column. For ND Codes (New Design Recommendations) and Status Codes, see tab marked CODES in the back of this catalog.

ECL (cont)
FLIP-FLOPS

JEDEC/Vendor Number	Part Number	Codes ^a			Description	Other	Case Style
		ND	Cost	ST			
11C06DC	156-0377-00	A	6.200	CS	D-type Master/Slave (650 MHz)		16 DIP
1670L	156-0228-00	A	7.700	CR	D-type Master/Slave (275 MHz)		16 DIP
10131	156-0230-00	A	.660	CR	Dual, D-type Master/Slave (150 MHz)		16 DIP
10131	156-0230-01			NP	Dual, D-type Master/Slave (150 MHz)	Checked	16 DIP
10131	156-0230-02	A	.890	CR	Dual, D-type Master/Slave (150 MHz)	Screened	16 DIP
10H131	156-1639-00	A	.922	CR	Dual, D-type Master/Slave (250 MHz)		16 DIP
10H131	156-1639-01	A	1.064	CR	Dual, D-type Master/Slave (250 MHz)	Screened	16 DIP
10135L	156-0688-00	A	.840	CR	Dual, J-K, Master/Slave		16 DIP
10135L	156-0688-01	A	.970	CR	Dual, J-K, Master/Slave	Screened	16 DIP
10H135	156-2597-00		1.340	PP	Dual, J-K, Master/Slave		16 DIP
10176	156-0633-00	A	1.510	CR	Hex, D-type, Master/Slave		16 DIP
10176	156-0633-01	A	1.470	CR	Hex, D-type, Master/Slave	Screened	16 DIP
10176LD	156-0633-02	A	1.470		Hex, D-type, Master/Slave	Screened	16 DIP
101H176	156-1712-00	A	1.620	CR	Hex, D-type, Master/Slave	Screened	16 DIP
10186	156-0743-00	A	2.250	CR	Hex, D-type, Master/Slave w/Reset		16 DIP
10186	156-0743-01	A	1.850	CR	Hex, D-type, Master/Slave w/Reset	Screened	16 DIP
10231	156-0880-00	A	1.440	CR	Dual, D-type, Master/Slave (225 MHz)		16 DIP
10231	156-0880-02	A	1.360	CR	Dual, D-type, Master/Slave (225 MHz)	Screened	16 DIP
10231	156-0880-03	A	1.280	CR	Dual, D-type Master/Slave	Screened	16 DIP
100131FC	156-1031-00	A	6.160	CR	Triple, D-type		Flt Pk
100131Y	156-1031-05		7.900	CR	Triple, D-type		Flt Pk
F100131DC	156-1031-06		5.000	CR	Triple, D-type		24 DIP
100151	156-1512-00	A	5.000	CR	Hex, D-type		24 DIP
100151FC	156-1501-00	A	6.750	CR	Hex, D-type		Flt Pk

^a The nominal price (at time of printing) is listed in the cost column. For ND Codes (New Design Recommendations) and Status Codes, see tab marked CODES in the back of this catalog.

ECL (cont)

GATES

JEDEC/Vendor Number	Part Number	Codes ^a			Description	Other	Case Style
		ND	Cost	ST			
11C01	156-1650-00	A	2.600	CR	Dual, 5-4-input OR/NOR		Flt Pk
1660L	156-0282-00	A	2.470	CR	Dual, 4-input OR/NOR		16 DIP
1660L	156-0282-01	A	2.470	CR	Dual, 4-input OR/NOR		16 DIP
1660L	156-0282-02	A	2.620	CR	Dual, 4-input OR/NOR	Screened	16 DIP
1662	156-0226-00		2.730	CR	Quad, 2-input NOR, High Impedance		16 DIP
1662	156-0226-01			NP	Quad, 2-input NOR	Checked	16 DIP
1662	156-0226-02		2.870	CR	Quad, 2-input NOR	Screened	16 DIP
1663L	156-0348-00	A		OB	Quad, 2-input NOR		16 DIP
1664L	156-0227-00	A		OB	Quad, 2-input OR		16 DIP
1664L	156-0227-01	A	3.990	CR	Quad, 2-input OR	Screened	16 DIP
1672L	156-0353-00	A	7.050	CR	Triple, 2-input EX/OR		16 DIP
10100	156-1287-00	A		DL	Quad, 2-input NOR w/Strobe		16 DIP
10H100	156-2019-00		.710	CR	Quad, 2-input NOR w/Strobe		16 DIP
10101	156-0631-00	A	.290	CR	Quad, 2-input Common OR/NOR		16 DIP
10101	156-0631-01	A	.330	CS	Quad, 2-input Common OR/NOR		16 DIP
10101	156-0631-02	A	.360	CR	Quad, 2-input Common OR/NOR	Screened	16 DIP
10101	156-0631-03	A	.360	CR	Quad, 2-input Common OR/NOR	Screened	16 DIP
10H101	156-1733-00	A	.665	CR	Quad, OR/NOR	Screened	16 DIP
10H101	156-1668-00	X		DL	Quad, OR/NOR	Screened	16 DIP
10102	156-0205-00	A	.280	CR	Quad, 2-input NOR		16 DIP
10102	156-0205-01			NP	Quad, 2-input NOR	Checked	16 DIP
10102	156-0205-02	A	.360	CR	Quad, 2-input NOR	Screened	16 DIP
10102	156-0205-03		.340	CR	Quad, 2-input NOR		16 DIP
10H102	156-1641-00	A	.532	CR	Quad, 2-input AND		16 DIP
10H102	156-1641-01	A	.520	CR	Quad, 2-input AND	Screened	16 DIP
10103	156-0759-00	A	.350	CR	Quad, 2-input OR	Screened	16 DIP
10103	156-0759-02	A	.360	CR	Quad, 2-input OR	Screened	16 DIP
10H103	156-1849-00		.530	CR	Quad, 2-input OR	Screened	16 DIP
10104	156-0458-00	A	.330	CR	Quad, 2-input AND		16 DIP
10104	156-0458-01	A	.360	CR	Quad, 2-input AND	Screened	16 DIP
10H104	156-1674-00	A	.513	CR	Quad, 2-input AND		16 DIP
10105	156-0182-00	A	.280	CR	Triple, 2-3-2 input OR/NOR		16 DIP
10105	156-0182-01	A		NP	Triple, 2-3-2 Input OR/NOR	Screened	16 DIP
10105	156-0182-02	A	.360	CR	Triple, 2-3-2 Input OR/NOR	Screened	16 DIP
10105	156-0182-03		.280	CR	Triple, 2-3-2 Input OR/NOR		16 DIP
10H105	156-1642-00	A	.399	CR	Triple, 2-3-2 Input OR/NOR		16 DIP
10H105	156-1642-01	A	.494	CR	Triple, 2-3-2 Input OR/NOR	Screened	16 DIP
10106	156-0252-00	A	.250	CR	Triple, 4-3-3 Input NOR		16 DIP
10106	156-0252-01			NP	Triple, 4-3-3 Input OR/NOR	Checked	16 DIP
10106	156-0252-02	A	.360	CR	Triple, 4-3-3 Input NOR	Screened	16 DIP
10107	156-0295-00	A	.380	CR	Triple, 2-input EX OR/NOR		16 DIP
10107	156-0295-01			NP	Triple, 2-input EX OR/NOR	Checked	16 DIP
10107	156-0295-02	A	.390	CR	Triple, 2-input EX OR/NOR	Screened	16 DIP
10H107	156-1676-00	A	.561	CR	Triple, 2-input EX OR/NOR	Screened	16 DIP
10109	156-0229-00	A	.280	CR	Dual, 4-5 Input OR/NOR		16 DIP
10109	156-0229-01	A	.360	CR	Dual, 4-5 Input OR/NOR	Screened	16 DIP
10H109	156-1682-00	U	.750	CR	Dual, 4-5 Input OR/NOR	Screened	16 DIP
10110	156-0639-00	X	.250	CS	Dual, 3-input, 3-output, OR		16 DIP
10110	156-0639-01	A		DL	Dual, 3-input, 3-output, OR	Screened	16 DIP
10111	156-0636-00	A	.450	CR	Dual, 3-input, 3-output, NOR		16 DIP
10113	156-0687-00	A	.300	CR	Quad, EX OR		16 DIP
10113	156-0687-01	A	.380	CR	Quad, EX OR	Screened	16 DIP
10H113	156-2598-00		.850	PP	Quad, EX OR		16 DIP
10H117	156-1710-00	A	.510	CR	Dual, 2-Wide, 2-3 Input OR/AND	Screened	16 DIP
10118	156-1214-01	A	.700	CR	Dual, 2-Wide, 3-input OR/AND	Screened	16 DIP

^a The nominal price (at time of printing) is listed in the cost column. For ND Codes (New Design Recommendations) and Status Codes, see tab marked CODES in the back of this catalog.

ECL (cont)

GATES (cont)

JEDEC/Vendor Number	Part Number	Codes ^a			Description	Other	Case Style
		ND	Cost	ST			
10H119	156-2674-00			DL	4-3-3-3 Input, 4-wide OR/AND		16 DIP
10197	156-1021-00	A	1.410	CR	Hex, AND Gate	Screened	16 DIP
10197	156-1021-01	A	1.040	CR	Hex, AND Gate		16 DIP
10H209	156-2057-00	A	1.600	CR	Dual, 4-5 Input OR/NOR		16 DIP
10210	156-1019-02	A	.640	CR	High Speed Dual, 3-input, 3-output, OR	Screened	16 DIP
10H210	156-1711-00	A	1.300	CR	Dual, 3-input, 3-output, OR	Screened	16 DIP
10211	156-0757-00	A	.420	CR	High Speed Dual, 3-input, 3-output, NOR		16 DIP
10211	156-0757-01	A	.560	CS	High Speed Dual, 3-input, 3-output, NOR	Screened	16 DIP
10H211	156-2193-00		1.180	CR	High Speed Dual, 3-input, 3-output, NOR		16 DIP
10212	156-0848-00	A	.460	CS	High Speed Dual, 3-inp, 3-outp OR/NOR		16 DIP
10212	156-0848-01	A		DL	High Speed Dual, 3-inp, 3-outp OR/NOR	Screened	16 DIP
100101	156-1520-00	A	2.900	CR	Triple, 5-input OR/NOR		24 DIP
100101FC	156-1034-00	A	3.108	CR	Triple, 5-input OR/NOR		Fit Pk
100101FC	156-1034-01	A		DL	Triple, 5-input OR/NOR	Screened	Fit Pk
100102	156-1519-00	A	2.900	CR	Quint, OR/NOR		24 DIP
100102FC	156-1032-00	A	3.165	CR	Quint, 2-input Quint OR/NOR		Fit Pk
HD100102F	156-1032-04	U	3.250	CR	Quint, 2-input OR/NOR		Fit Pk
100107	156-1518-00	A	3.650	CR	Quint, EX/OR/NOR		24 DIP
100107FC	156-1500-00	A	3.550	CR	Quint, EX/OR/NOR		Fit Pk
100112FC	156-1499-00	A	4.000	CR	Quad, Fan Out OR/NOR		Fit Pk
100112DC	156-1499-01	A	2.900	CR	Quad, Fan Out OR/NOR		24 DIP
100117FC	156-1498-00	A		DL	Triple, 2-wide AO/AOI		Fit Pk
100118FC	156-1561-00		6.230	PP	5-Wide AND/OR Invert		Fit Pk

GENERATORS

JEDEC/Vendor Number	Part Number	Codes ^a			Description	Other	Case Style
		ND	Cost	ST			
10160	156-0771-00			OB	14-bit Parity Generator/Checker		16 DIP
10160	156-0771-01			DL	14-bit Parity Generator/Checker	Screened	16 DIP
100160	156-1506-00	A	5.300	CR	Dual Parity Checker/Generator		24 DIP

^a The nominal price (at time of printing) is listed in the cost column. For ND Codes (New Design Recommendations) and Status Codes, see tab marked CODES in the back of this catalog.

ECL (cont) LATCHES

JEDEC/Vendor Number	Part Number	Codes ^a			Description	Other	Case Style
		ND	Cost	ST			
1668L	156-0343-00	A	7.320	CR	Dual, Clocked		16 DIP
10130	156-1247-00	A	.550	CR	Dual, Clocked, D-type		16 DIP
10130	156-1247-01	A		DL	Dual, Clocked, D-type	Screened	16 DIP
10H130	156-2175-00	U		DL	Dual	Screened	16 DIP
10133	156-0520-00	A	.940	CR	Quad, D-type Negative Clock		16 DIP
10133	156-0520-01	A	1.010	CR	Quad, D-type Negative Clock	Screened	16 DIP
10153	156-0762-00	X	1.110	CR	Quad	Screened	16 DIP
10168	156-2470-00		1.050	CR	Quad		16 DIP
10173	156-0632-00	A	1.820	CR	Quad, 2-input Multiplexer/Latch		16 DIP
10173	156-0632-01	A		DL	Quad, 2-input Multiplexer/Latch	Checked	16 DIP
10173	156-0632-02	A	1.180	CR	Quad, 2-input Multiplexer/Latch	Screened	16 DIP
10H173	156-2116-00		1.055	CR	Quad, 2-input Multiplexer/Latch		16 DIP
10175	156-0760-01	A	.990	CR	Quint, D-type	Screened	16 DIP
10H175	156-1991-00		1.520	CR	Quint, D-type		16 DIP
100150	156-1581-00	A	4.670	CR	Hex, D-type		24 DIP
100150FC	156-1497-00	A	6.000	CR	Hex, D-type		Fit Pk

RECEIVERS

JEDEC/Vendor Number	Part Number	Codes ^a			Description	Other	Case Style
		ND	Cost	ST			
1692L	156-0307-00	A	2.660	CR	Quad, Differential Line		16 DIP
1692L	156-0307-01	A	3.000	CR	Quad, Differential Line	Screened	16 DIP
10114	156-2059-00	U	.470	PP	Triple, Line	Screened	16 DIP
10115	156-0308-00	A	.250	CR	Quad, Differential Line		16 DIP
10115	156-0308-01			NP	Quad, Differential Line	Checked	16 DIP
10115	156-0308-02	A	.350	CR	Quad, Differential Line		16 DIP
10115	156-0308-03	A	.360	CR	Quad, Differential Line	Screened	16 DIP
10115	156-0308-04	A	.360	CR	Quad, Differential Line	Screened	16 DIP
10H115	156-2114-00		.523	CR	Quad, Line		16 DIP
10116	156-0860-00	A	.320	CR	Triple, Line		16 DIP
10116	156-0860-02	A	.400	CR	Triple, Line	Screened	16 DIP
10H116	156-1640-00	A	.532	CR	Triple, Line		16 DIP
10H116	156-1640-01		.627	CR	Triple, Line		16 DIP
10H116	156-1698-00	U	.570	CR	Triple, Line		DIE
10192	156-1309-00	A	3.050	CR	Quad, Line	Screened	16 DIP
10216	156-0369-00	A	.480	CR	High Speed Triple, Line		16 DIP
10216	156-0369-01	A	.500	CR	High Speed Triple, Line		16 DIP
10216	156-0369-02	A	.560	CR	High Speed Triple, Line	Screened	16 DIP
10216	156-0369-03	A	.580	CR	High Speed Triple, Line	Screened	16 DIP
10216	156-0755-00		.370	CR	High Speed Triple, Line		16 DIP
100114DC	156-2006-00		5.300	CR	Quint, Differential Line		24 DIP
100114FC	156-1033-00	A	4.010	CR	Quint, Differential Line		Fit Pk

^a The nominal price (at time of printing) is listed in the cost column. For ND Codes (New Design Recommendations) and Status Codes, see tab marked CODES in the back of this catalog.

ECL (cont) REGISTERS

JEDEC/Vendor Number	Part Number	Codes ^a			Description	Other	Case Style
		ND	Cost	ST			
10108	156-2594-00			DL	16-bit Shift Register, Programmable		48 DIP
10141	156-0638-00	X	2.760	CS	4-bit Universal Shift	Screened Screened	16 DIP
10141	156-0638-01	A	2.100	CR	4-bit Universal Shift		16 DIP
10H141	156-1874-00	N	2.119	CR	4-bit Universal Shift		16 DIP
100136	156-1517-00	A	7.300	CR	4-stage Counter/Shift Register		24 DIP
100136FC	156-1563-00	A	7.500	CR	4-stage Counter/Shift Register		Fit Pk
100141	156-1511-00	A	6.350	CR	8-bit Serial		24 DIP
100141FC	156-1030-00	A	6.725	CR	8-bit		Fit Pk
100145	156-1514-00	A	4.300	CR	16 x 4 Read/Write		24 DIP
100145FC	156-1513-00	A	8.500	CR	16 X 4 Read/Write		Fit Pk

MISCELLANEOUS

JEDEC/Vendor Number	Part Number	Codes ^a			Description	Other	Case Style
		ND	Cost	ST			
11C91	156-2595-00		10.630	PP	Prescaler, 650 MHz		16 DIP
1697	156-0923-00	A	6.950	LS	Prescaler, divided by 4 at 1 GHz		16 DIP
CA3199	156-2693-00		.550	EN	Prescaler, Plastic		8 DIP
8610	156-1302-01	A	36.420	CS	Prescaler, divided by 4 at 1.5 GHz		14 DIP
8627	156-1449-00	A		NP	Prescaler, divided by 80 at 150 MHz		8 DIP
8629	156-1248-00	A	1.430	CR	Prescaler, divided by 10 at 150 MHz		8 DIP
8660	156-2578-00		4.950	CR	Prescaler, divided by 10		8 DIP
8792	156-2606-00	U	9.000	EN	Divider 80/81, 225 MHz, TTL/CMOS Compatible Control Input & Output		8 DIP
10H121	156-1794-00	A	.570	CR	High Speed Emitter, Coupled Logic	Screened	16 DIP
10H125	156-2290-00	U	1.178	CR	Quad, MECL-to-TTL Translator	Screened	16 DIP
10H161	156-2739-00		5.500	CR	High Speed Emitter, Coupled Logic		16 DIP
10194	156-1657-00	X	1.670	CS	Dual, Simultaneous Bus Transmitter	Screened	16 DIP
10198	156-1713-00	A	4.260	CR	Retriggered Monostable Multivibrator		16 DIP
MC10904	156-2637-00		45.000	PP	8-bit Micro-code Sequencer Slice		68 LCC
10H350	156-2350-00	A	3.400	CR	Quad, ECL to TTL Translator w/Single Power Supply		16 DIP
12015	156-1862-00		3.710	CR	2-modulus Prescaler divided by 32 or 33	Screened	8 DIP
12016	156-2607-00	U	6.850	EN	Prescaler, divided by 40 or 41, 225 MHz		8 DIP
12061	156-0624-00	A	1.410	CR	Crystal Oscillator		16 DIP
12061	156-0624-01		1.919	CR	Crystal Oscillator	Screened	16 DIP
100124	156-1671-00	A		DL	Hex, TTL to ECL Translator		24 DIP
10H124	156-2289-00	U	1.170	CR	Quad, TTL to MECL Translator	Screened	16 DIP
100125	156-1670-00	A		DL	Hex, ECL to TTL Translator		24 DIP
SC32205LB04	156-2654-00		11.875	EN	Semicustom, Fast Logic		40 DIP

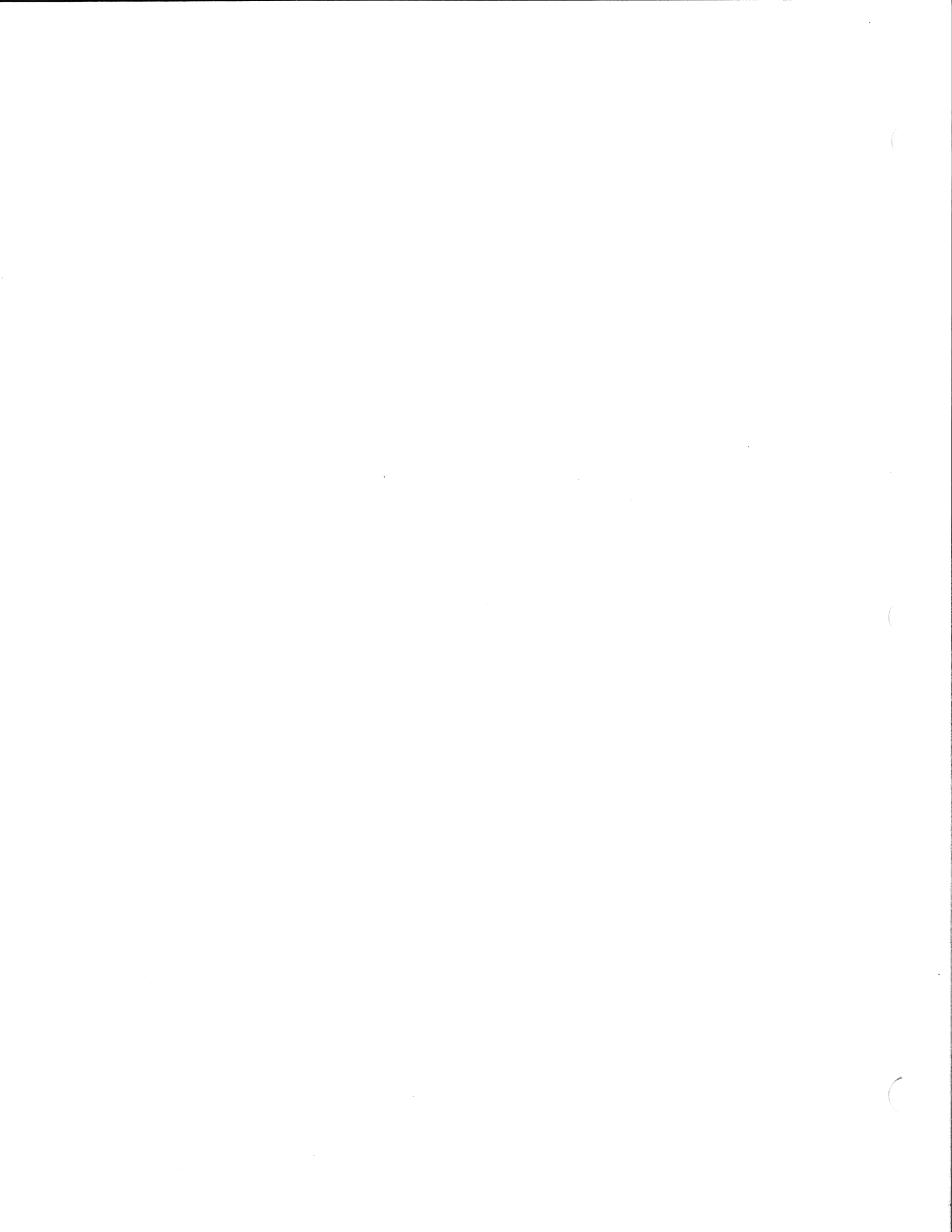
PROMS

SEE MEMORY SELECTION GUIDE, SECTION 2

RAMS

SEE MEMORY SELECTION GUIDE, SECTION 2

^a The nominal price (at time of printing) is listed in the cost column. For ND Codes (New Design Recommendations) and Status Codes, see tab marked CODES in the back of this catalog.



SECTION 5

TABLE OF CONTENTS

	Page
MOS	
CLOCK DRIVERS	5-2
COUNTERS	5-2
SHIFT REGISTERS	5-2
MISCELLANEOUS	5-2
TEK PART NUMBER TO VENDOR NUMBER	SECTION 9
VENDOR NUMBER TO TEK PART NUMBER	SECTION 10

In the Semiconductor Section of the Supplement Catalog 7, you will find the following information:

- Static Awareness
 - Handling of Static Sensitive Components
- Integrated Circuits - Application Notes
 - Package Number Codes
 - Integrated Circuit Quality and Reliability

CATALOG WRITER: SANDRA PHILLIPS, 629-3030

MOS CLOCK DRIVERS

JEDEC/Vendor Number	Part Number	Codes ^a			Description	Other	Case Style
		ND	Cost	ST			
0026	156-0328-00	A	.850	CR	Dual, Clock Driver (5 MHz) 4-channel Gate Controlled		8 DIP
3460L	156-0634-00	A	1.750	CS			16 DIP

COUNTERS

JEDEC/Vendor Number	Part Number	Codes ^a			Description	Other	Case Style
		ND	Cost	ST			
3814	156-0306-00	A	7.400	LR	4.5-decade		14 DIP
5007P	156-0409-00	A	10.500	CR	4-decade		16 DIP
5009P	156-0410-00	A	7.300	CR	Time Base		16 DIP
LS7031	156-1411-00		5.900	CR	6-decade Up Counter w/8-decade Latch & Multiplexer		40 DIP

EPROMS

SEE MEMORY SELECTION GUIDE, SECTION 2

PROMS

SEE MEMORY SELECTION GUIDE, SECTION 2

RAMS

SEE MEMORY SELECTION GUIDE, SECTION 2

SHIFT REGISTERS

JEDEC/Vendor Number	Part Number	Codes ^a			Description	Other	Case Style
		ND	Cost	ST			
2802	156-0329-00	A	1.300	PP	Quad, 256-bit Dynamic	Screened	16 DIP
2855	156-0453-03		8.000	CS	Quad, 128-bit		16 DIP
2857	156-1039-00	N	4.800	CR	512-bit Static	Screened	8 DIP
2857	156-1039-01	N		NP	512-bit Static		8 DIP

MISCELLANEOUS

JEDEC/Vendor Number	Part Number	Codes ^a			Description	Other	Case Style
		ND	Cost	ST			
MC689	156-0790-00	N	1.780	CR	Hex, Inverter (High Voltage)		14 DIP
VF4101	156-2380-00		46.000	CR	Custom Waveform Processor, HMOS		
5321	156-0946-00	A	3.850	LR	TV Camera Sync Generator		16 DIP
MM5437N	156-2841-00			EN	Broad Band White Noise Source		8 DIP
5837	156-1433-00	A	.750	LR	Digital Noise Source		8 DIP

^a The nominal price (at time of printing) is listed in the cost column. For ND Codes (New Design Recommendations) and Status Codes, see tab marked CODES in the back of this catalog.



SECTION 6

TABLE OF CONTENTS

	Page
TTL	
ADDERS/COMPARATORS	6-2
ARITHMETIC LOGIC UNITS	6-2
BUFFERS/INVERTERS	6-3
CONVERTERS	6-5
COUNTERS	6-5
DATA SELECTORS/MULTIPLEXERS	6-7
DECODERS	6-9
DRIVERS/RECEIVERS/TRANSCIEVERS	6-10
ENCODERS	6-12
FLIP-FLOPS	6-13
GATES	6-14
GENERATORS	6-17
LATCHES	6-18
LOGIC ARRAYS	6-19
MULTIVIBRATORS	6-20
REGISTERS	6-21
REGISTER FILES	6-21
SHIFT REGISTERS	6-22
MISCELLANEOUS	6-23
TTL FAMILY NUMBER LISTING	6-24
TECHNICAL SHEETS	6-42
TEK PART NUMBER TO VENDOR NUMBER	SECTION 9
VENDOR NUMBER TO TEK PART NUMBER	SECTION 10

In the Semiconductor Section of the Supplement Catalog 7, you will find the following information:

- Static Awareness
 - Handling of Static Sensitive Components
- Integrated Circuits - Application Notes
 - Package Number Codes
 - Integrated Circuit Quality and Reliability

CATALOG WRITER: SANDRA PHILLIPS, 629-3030

TTL

ADDERS/COMPARATORS

JEDEC/Vendor Number	Part Number	Codes ^a			Description	Other	Case Style
		ND	Cost	ST			
MU8U-1 PC/DC	156-2979-00		15.000	PP	8 X 8-bit Parallel Multiplier		20 DIP
XR2208CP	156-2119-00	U	1.360	CR	4-Quadrant Multiplier w/Op Amp		16 DIP
4022	156-0372-00		2.380	CR	Dual, 4-bit Comparator		16 DIP
7483	156-0087-02	N	.430	CR	4-bit, Full Adder	Screened	16 DIP
7485	156-0123-02	N	.310	CR	4-bit, Magnitude Comparator	Screened	16 DIP
74S85	156-1041-02	A	1.000	CR	4-bit, Magnitude Comparator	Screened	16 DIP
74LS85	156-0953-02	A	.450	CR	4-bit, Magnitude Comparator	Screened	16 DIP
74F283	156-1705-00	U	1.710	CR	4-bit, Binary Full Adder	Screened	16 DIP
74S283	156-1292-01	N	1.920	CR	4-bit, Binary Adder	Screened	16 DIP
74LS283	156-0679-01	A	.420	CR	4-bit, Binary Adder	Screened	16 DIP
74ALS521	156-2238-00	U	2.200	CR	8-bit, Identity Comparator	Screened	20 DIP
74LS677	156-2233-00	U	2.590	CR	Address Comparator	Screened	24 DIP
74ALS678	156-2547-00	A	2.400	CR	16 to 4-bit Address Comparator	Screened	24 DIP
74LS682	156-2168-00	A	2.000	CR	8-bit, Magnitude Comparator	Screened	20 DIP
74LS684	156-2336-00	U	1.470	CR	8-bit, Magnitude Comparator		20 DIP
74LS686	156-2543-00		1.470	CR	8-bit, Magnitude Comparator		24 DIP
74LS687	156-1913-00		2.100	CR	8-bit, Magnitude Comparator		24 DIP
74AS866	156-2028-00	P	4.150	CR	8-bit, Magnitude Comparator	Screened	28 DIP
8130	156-0537-01		1.720	CR	10-bit, Comparator	Screened	24 DIP
8136	156-0539-00		1.520	CR	6-bit, Unified Bus Comparator w/Open Collector Output		16 DIP
8136	156-0539-01		1.620	CR	6-bit, Unified Bus Comparator	Screened	16 DIP
8160	156-0845-00		1.050	CR	16-bit, Comparator		16 DIP
8160	156-0845-02		1.830	CR	16-bit, Comparator	Screened	16 DIP
9304	156-0148-02	N	.410	LS	Dual, Full Adder	Screened	16 DIP
93S47	156-1063-01	A	1.900	CR	6-bit, Identify Comparator	Screened	16 DIP
25LS2521	156-1273-01	A	1.650	CR	8-bit, Equal to Comparator	Screened	20 DIP

ARITHMETIC LOGIC UNITS

JEDEC/Vendor Number	Part Number	Codes ^a			Description	Other	Case Style
		ND	Cost	ST			
WTL1164	156-2512-00	U		DL	Floating Point Multiplier, Type A LCC	Screened	68 DIP
WTL1165	156-2511-00	U		DL	Floating Point ALU, Type A LCC	Screened	68 DIP
25LS14	156-1866-00	A	5.500	CR	8-bit Serial/Parallel Two Complement Multiplier	Screened	16 DIP
74181	156-0351-01	N	1.220	CS	ALU	Screened	24 DIP
74AS181A	156-2322-00	A	4.650	CR	ALU/Function Generator	Screened	24 DIP
74F181	156-2501-00	P		DL	4-bit, ALU	Screened	24 DIP
74LS181	156-1376-00	A	.950	CS	ALU	Screened	24 DIP
74S381	156-0691-02	A	2.200	CR	ALU/Function Generator		20 DIP
74S381	156-0691-00	N	2.610	CS	ALU		20 DIP
74S381N	156-2975-00	N	2.250	EN	ALU		20 DIP
74LS382	156-1865-00		1.520	CR	Dual, 4-bit Binary, ALU	Screened	20 DIP
74AS881	156-1703-00	U	4.450	CR	4-bit, Binary, ALU	Screened	24 DIP

^a The nominal price (at time of printing) is listed in the cost column. For ND Codes (New Design Recommendations) and Status Codes, see tab marked CODES in the back of this catalog.

TTL (cont)

BUFFERS/INVERTERS

JEDEC/Vendor Number	Part Number	Codes ^a			Description	Other	Case Style
		ND	Cost	ST			
54F04	156-1616-00	N	1.870	CR	Hex, Inverter (DIE Only)		14 DIP
74L04	156-0292-00	N	1.000	CR	Hex, Inverter		14 DIP
74L04	156-0292-01			CR	Hex, Inverter	Checked	14 DIP
7404	156-0058-02	N	.220	CR	Hex, Inverter	Screened	14 DIP
7404J	156-0552-00	N	.180	CR	Hex, Inverter		14 DIP
7404J	156-0552-01	N		NP	Hex, Inverter	Checked	14 DIP
74AS04	156-2323-00	A	.470	PP	Hex, Inverter	Screened	14 DIP
74F04	156-1722-00	P	.310	CR	Hex, Inverter		14 DIP
74ALS04	156-2094-00	U	.330	CR	Hex, Inverter	Screened	14 DIP
74HCU04	156-1954-00	U	.400	CR	Hex, Inverter		
74S04	156-0323-02	A	.240	CR	Hex, Inverter	Screened	14 DIP
74LS04	156-0385-02	A	.180	CR	Hex, Inverter	Screened	14 DIP
7405	156-0092-02	N	.230	CR	Hex, Inverter w/Open Collector Output	Screened	14 DIP
74ALS05	156-2427-00	P	.330	PP	Hex, Inverter w/Open Collector Output	Screened	14 DIP
74H05	156-0922-00			DL	Hex, Inverter w/Open Collector Output		14 DIP
74H05	156-0922-01			NP	Hex, Inverter w/Open Collector Output	Checked	14 DIP
74H05	156-0922-02	N	.480	CS	Hex, Inverter w/Open Collector Output	Screened	14 DIP
74S05	156-0403-02	A	.240	CR	Hex, Inverter w/Open Collector Output	Screened	14 DIP
74LS05	156-0724-02	A	.210	CR	Hex, Inverter w/Open Collector Output	Screened	14 DIP
7406	156-0153-02	N	.300	CR	Hex, Inverter Buffer/Driver w/Open Collector Output	Screened	14 DIP
7406JP	156-0611-02	N	.520	CR	Hex, Inverter Buffer/Driver	Screened	14 DIP
7407	156-1080-01	N	.380	CR	Hex, Buffer w/Open Collector HV Output	Screened	14 DIP
7414	156-0462-02	N	.310	CR	Hex, Inverter, Schmitt Trigger	Screened	14 DIP
74F14N	156-2608-00	A	.380	CR	Hex, Inverter, Schmitt Trigger		14 DIP
74LS14	156-0645-02	A	.190	CR	Hex, Inverter, Schmitt Trigger	Screened	14 DIP
74LS14	156-0645-03		.480	CR	Hex, NAND Inverter, Schmitt Trigger	Screened	14 DIP
74LS14	156-1363-00	N	.730	CR	Hex, Inverter, Schmitt Trigger		DIE
7416	156-0093-02	N	.250	CR	Hex, Buffer w/Open Collector Output	Screened	14 DIP
7416J	156-0585-00	N	1.000	CS	Hex, Buffer w/Open Collector Output		14 DIP
7416J	156-0585-01	N		NP	Hex, Buffer w/Open Collector Output	Checked	14 DIP
7417	156-0140-02	N	.245	CR	Hex, Buffer w/Open Collector HV Output	Screened	14 DIP
7417J	156-0589-00	N	.420	CS	Hex, Buffer w/Open Collector HV Output		14 DIP
7417J	156-0589-01	N		NP	Hex, Buffer w/Open Collector HV Output	Checked	14 DIP
7428	156-0374-02	N	.310	CR	Quad, 2-input NOR Buffer	Screened	14 DIP
7433	156-0424-02	N	.320	CR	Quad, 2-input NOR Buffer w/Open Collector Output	Screened	14 DIP
74AL33A	156-2200-00	U	.510	PP	Quad, 2-input NOR Buffer w/Open Collector Output	Screened	14 DIP
74LS33	156-0730-02	A	.200	CR	Quad, 2-input NOR Buffer w/Open Collector Output	Screened	14 DIP
7437	156-0150-02	N	.220	CR	Quad, 2-input NAND Buffer	Screened	14 DIP
7437J	156-0591-00	N	.220	CR	Quad, 2-input NAND Buffer		14 DIP
7437J	156-0591-01	N		NP	Quad, 2-input NAND Buffer	Checked	14 DIP
74LS37	156-0466-02	A	.200	CR	Quad, 2-input NAND Buffer	Screened	14 DIP
74S37	156-1216-01		.440	CR	Quad, 2-input NAND Buffer	Screened	14 DIP
74ALS38	156-2178-00	U	.340	CR	Quad, 2-input NAND Buffer w/Open Collector Output		14 DIP
74F38	156-2540-00			EN	Quad, 2-input NAND Buffer		14 DIP
7438	156-0145-02	N	.250	CR	Quad, 2-input NAND Buffer w/Open Collector Output	Screened	14 DIP
7438J	156-0592-00	N	.380	CS	Quad, 2-input NAND Buffer w/Open Collector Output		14 DIP
7438J	156-0592-01	N		NP	Quad, 2-input NAND Buffer w/Open Collector Output	Checked	14 DIP
74S38	156-1393-00	X	.385	CR	Quad, 2-input NAND Buffer w/Open Collector Output	Screened	14 DIP
74S38	156-1393-01	A	.460	CR	Quad, 2-input NAND Buffer w/Open Collector Output	Screened	14 DIP
74LS38	156-0467-02	A	.200	CR	Quad, 2-input NAND Buffer w/Open Collector Output	Screened	14 DIP
7440	156-0036-02	N	.220	CR	Dual, 4-input NAND Buffer	Screened	14 DIP
29827	156-1840-00	A	4.100	CR	10-bit, Bus Buffer	Screened	24 DIP
29827A	156-1840-01			EN	High Performance Buffer		24 DIP
74F126	156-3100-00			EN	Quad, Bus Buffer w/3-state Output	Screened	14 DIP
74LS126	156-1619-00	A	.260	CR	Quad, Bus Buffer w/3-state Output	Screened	14 DIP

^a The nominal price (at time of printing) is listed in the cost column. For ND Codes (New Design Recommendations) and Status Codes, see tab marked CODES in the back of this catalog.

TTL (cont)

BUFFERS/INVERTERS (cont)

JEDEC/Vendor Number	Part Number	Codes ^a			Description	Other	Case Style
		ND	Cost	ST			
74128	156-0451-02	N	.340	CR	Quad, 2-input NOR Buffer	Screened	14 DIP
74128J	156-0613-01	N		NP	Quad, 2-input NOR Buffer	Checked	14 DIP
74AS240	156-2482-00	P	1.500	CR	Octal, Buffer/Line Driver w/3-state Output		20 DIP
74F240	156-1744-00	U	1.214	CR	Octal, Buffer/Line Driver	Screened	20 DIP
74LS240	156-0914-02	A	.400	CR	Octal, Inverter Buffer w/3-state Out	Screened	20 DIP
74LS240	156-0914-03		1.070	CR	Octal, Buffer w/3-state Output		20 DIP
74ALS240	156-1753-00	U	.930	CR	Octal, Bfr/Line Drvr w/3-state Output	Screened	20 DIP
74ALS240-1	156-1753-01	U	1.140	CR	Octal, Bfr/Line Drvr w/3-state Output	Screened	20 DIP
74S240	156-1058-00	A	2.500	CR	Octal, Inv Buffer w/3-state Output		20 DIP
74S240	156-1058-01	A	1.450	CR	Octal, Inv Buffer w/3-state Output	Screened	20 DIP
74ALS241	156-2180-00	U	.950	CR	Octal, Buffer/Line Driver w/3-state Output	Screened	20 DIP
74F241	156-1745-00	U	1.680	CR	Octal, Buffer/Line Driver	Screened	20 DIP
74S241	156-1179-01	A	1.450	CR	Octal, Buffer w/3-state Output	Screened	20 DIP
74LS241	156-0955-02	A	.480	CR	Octal, Buffer w/3-state Output	Screened	20 DIP
74LS242	156-1025-00	N		NP	Octal, Buffer/Driver/Receiver		14 DIP
74LS242	156-1025-01	N		NP	Octal, Buffer/Driver/Receiver	Checked	14 DIP
74LS242	156-1025-02	A	.430	CR	Octal, Buffer/Driver/Receiver	Screened	14 DIP
74LS243	156-0928-02	A	.460	CR	Octal, Buffer/Driver/Receiver	Screened	14 DIP
74ALS244	156-2099-01	A	2.650	CR	Octal, Buffer/Line Driver/Line Receiver	Screened	20 DIP
74F244	156-1962-00	P	1.080	CR	Octal, Buffer/Line Driver	Screened	20 DIP
74LS244	156-0956-02	A	.480	CR	Octal, Buffer w/3-state Output	Screened	20 DIP
74LS244	156-0956-04		.480	CR	Octal, Buffer w/3-state Output		20 DIP
74ALS244A-1	156-1754-02	P	1.080	CR	Octal, Buffer/Line Driver w/3-state Output	Screened	20 DIP
74ALS244	156-2107-00			EN	Octal, Buffer w/3-state Output	Screened	20 DIP
74F245	156-1725-00	U	2.170	CR	Octal, Buffer/Driver/Receiver		20 DIP
74ALS245-1	156-1748-01	U	1.340	CR	Octal, Bus Xcvr w/3-state Output	Screened	20 DIP
74ALS245	156-1748-02	P	1.050	CR	Octal, Bus Xcvr w/3-state Output	Screened	20 DIP
74LS366	156-0702-01	A	.280	CR	3-State Hex Inverter/Buffer	Screened	16 DIP
74LS465	156-2544-00	U		EN	Octal, 2-input AND Buffer w/Enable		20 DIP
74ALS540J/N	156-2863-00		1.040	EN	Octal, Buffer/Line Driver w/3-state Output		20 DIP
74ALS540N	156-2933-00			EN	Octal, Buffer/Line Driver w/3-state Output		20 DIP
74LS540N	156-2852-00		1.120	PP	Octal, Buffer/Line Driver		20 DIP
74F541N	156-2864-00		1.550	EN	Octal, Buffer w/3-state Output		20 DIP
74ALS541	156-2391-00		1.080	CR	Octal, Buffer/Driver w/3-state Output		20 DIP
74AS756	156-2429-00	A	1.780	PP	Octal, Buffer/Line Driver w/Open Collector Output	Screened	20 DIP
74AS760N	156-2932-00			EN	Octal, Buffer/Line Driver w/Open-Collector Output		20 DIP
74AS1000	156-2215-00	P	.750	CR	Quad, 2-input NAND Buffer	Screened	14 DIP
74AS1004	156-2167-00	U	.750	CR	Hex, Inverter/Buffer	Screened	14 DIP
74AS1005	156-2320-00	A	.380	CR	Hex, Inverter/Buffer w/Open Collector Output	Screened	14 DIP
74AS1032	156-2235-00	U	.750	CR	Quad, 2-input Positive OR Buffer/Driver	Screened	14 DIP
74ALS1035	156-2528-00	A	.320	CR	Hex, Noninverting Buffer w/Open Collector Output		14 DIP
74ALS1244	156-1754-00	U	.930	CR	Octal, Buffer/Line Driver w/3-state Output		20 DIP
74ALS1245	156-1748-00	U	1.120	CR	Octal, Bus Transceiver w/3-state Output	Screened	20 DIP
8T95	156-1018-00	A		DL	Hex, Buffer Comm Disable w/3-state Output (Schottky)		16 DIP
8T97	156-0998-01	A	.570	CR	HS Hex, Buffer, Separable Disable w/3-state Output (Schottky)	Screened	16 DIP
8T98	156-0999-01	A	.650	CR	HS Hex, Inverter w/3-state Output (Schottky)	Screened	16 DIP
8094	156-0396-02	N	.350	CR	Quad, 2-input, Buffer w/3-state Output	Screened	14 DIP
8097	156-0535-02		.390	CR	Hex, Buffer w/3-state Output	Screened	16 DIP
80L98	156-0729-01		4.590	CR	Hex, Inverting Buffer w/3-state Output	Screened	16 DIP
81LS95	156-1277-00	A	.830	CR	Octal, Buffer w/3-state Output	Screened	20 DIP
8261	156-0152-01	N		DL	Dual, 5-bit, Inverted Input Buffer/Register	Checked	24 DIP
81LS97	156-0916-02	A	.830	CR	Octal, 2-input Buffer w/3-state Output	Screened	20 DIP
81LS98	156-1479-01	A	.820	CR	Octal, Inverter/Buffer w/3-state Output	Screened	20 DIP
88L12	156-1347-00	N	.420	CS	Hex, Inverter, Interface Gate		14 DIP

^a The nominal price (at time of printing) is listed in the cost column. For ND Codes (New Design Recommendations) and Status Codes, see tab marked CODES in the back of this catalog.

TTL (cont)

CONVERTERS

JEDEC/Vendor Number	Part Number	Codes ^a			Description	Other	Case Style
		ND	Cost	ST			
7992A	156-2471-00	A	34.000	CR	Manchester Code Converter		24 DIP
8023	156-2246-00	A	25.250	CR	Manchester Code Converter	Screened	20 DIP
74184	156-0315-02	U	1.120	CR	BCD to Binary Converter	Screened	16 DIP
74185	156-0345-02	N	1.450	CR	Binary to BCD Converter	Screened	16 DIP

COUNTERS

JEDEC/Vendor Number	Part Number	Codes ^a			Description	Other	Case Style
		ND	Cost	ST			
4018	156-0202-02	N	.580	CR	Prog. Module-N Hex	Screened	16 DIP
7490	156-0079-02	N	.300	CR	Decade	Screened	14 DIP
7490A	156-0395-01	N	.360	CR	Decade	Screened	14 DIP
74L90	156-0201-00		.900	PP	Decade, Monolithic		14 DIP
74LS90	156-0656-02	A	.320	CR	Decade	Screened	14 DIP
7492	156-0114-02	N	.390	CR	Divide by 12		14 DIP
74LS92	156-1108-02	A	.490	CR	Divide by 12	Screened	14 DIP
7493	156-0032-03	N	.360	CR	4-bit Binary	Screened	14 DIP
7493J	156-0561-00	N	.325	CS	4-bit Binary		14 DIP
7493J	156-0561-01	N		NP	4-bit Binary	Checked	14 DIP
SN7493N	156-0101-00		2.400	CR	4-bit Binary		14 DIP
74LS93	156-0646-02	A	.320	CR	4-bit Binary	Screened	14 DIP
7497	156-0311-02	N	.790	CR	6-bit Binary Rate Multiplier	Screened	16 DIP
74F160	156-2345-00		2.530	CR	High Speed Sync, BCD Decade	Screened	16 DIP
74161	156-0117-02	N	.400	CR	Sync, 4-bit Binary	Screened	16 DIP
74ALS161	156-2098-00	U	.590	CR	Sync, 4-bit	Screened	16 DIP
74F161	156-2251-00	A	.840	CR	Presetable Binary	Screened	16 DIP
74S161	156-1044-00	N	2.250	CR	Sync, 4-bit Binary		16 DIP
74S161	156-1044-01	A	2.400	CR	Sync, 4-bit Binary	Screened	16 DIP
74LS161	156-0844-02	A	.460	CR	Sync, 4-bit Binary	Screened	16 DIP
74ALS162	156-2333-00		.780	CR	Sync, 4-bit Decade		16 DIP
74LS162	156-0788-01	A	.450	CR	Sync, 4-bit Decade	Screened	16 DIP
74163	156-0248-02	N	.450	CR	Sync, 4-bit Binary	Screened	16 DIP
74AS163	156-2520-00		1.410	CR	4-bit Binary	Screened	16 DIP
74F163	156-1935-00	U	1.350	CR	Sync, Preset Binary	Screened	16 DIP
74S163	156-1198-01	A	1.260	CR	Sync, 4-bit Binary	Screened	16 DIP
74LS163	156-0784-02	A	.430	CR	Sync, 4-bit Binary	Screened	16 DIP
74AS168N	156-2867-00		2.450	PP	Sync, 8-bit Up/Down Decade & Binary		16 DIP
74LS168	156-1371-00	A	.690	CS	Sync, Up/Down Binary		16 DIP
74ALS169	156-2169-00	U	1.600	CR	Sync, 4-bit Up/Down Decade Binary	Screened	16 DIP
74AS169	156-2373-00	A	1.780	PP	Sync, 4-bit Up/Down Binary	Screened	16 DIP
74F169	156-2630-00		1.750	CR	Sync, 4-stage Bidirectional		16 DIP
74LS169	156-0957-01	A	.610	CR	Sync, Up/Down Binary	Checked	16 DIP
74S169	156-0765-02		1.680	CS	Sync, 4-bit Up/Down Binary		16 DIP
74S169	156-0765-03	N		NP	Sync, Up/Down Binary	Checked	16 DIP
74S169	156-0765-04	A	2.010	CR	Sync, 4-bit Up/Down Binary	Screened	16 DIP
74S169	156-0765-06	U	1.870	CR	Sync, Up/Down Binary	Screened	16 DIP
74177	156-0536-02	N	.800	CR	Preset Binary Latch/Counter	Screened	14 DIP
74190	156-0340-02	N	.110	CS	Sync, BCD Up/Down	Screened	16 DIP
74LS190	156-0569-00	N	.390	CR	Sync, BCD Up/Down Counter		16 DIP

^a The nominal price (at time of printing) is listed in the cost column. For ND Codes (New Design Recommendations) and Status Codes, see tab marked CODES in the back of this catalog.

TTL (cont)
COUNTERS (cont)

JEDEC/Vendor Number	Part Number	Codes ^a			Description	Other	Case Style
		ND	Cost	ST			
74191	156-0175-02		.580	CR	Sync, Up/Down Binary	Screened	16 DIP
74F191	156-1714-00	P	1.800	CR	Sync, Up/Down Binary Preset & Ripple Clock	Screened	16 DIP
74ALS191	156-2334-00		.740	CR	Sync, 4-bit Up/Down Binary	Screened	16 DIP
74LS191	156-0422-02	A	.470	CR	Sync, 4-bit Up/Down Binary	Screened	16 DIP
74LS191	156-2042-00	A	3.600	CR	Sync, 10-bit Up/Down	Screened	24 DIP
74192	156-0127-02	N	.730	LS	Sync, Up/Down BCD	Screened	16 DIP
74LS192	156-0526-02	A	.450	CR	Sync, Up/Down BCD	Screened	16 DIP
74193	156-0089-02	N	.570	CR	Sync, 4-bit Up/Down	Screened	16 DIP
74193J	156-0565-00	N	.390	CS	Sync, 4-bit Up/Down		16 DIP
74193J	156-0565-01	N		NP	Sync, 4-bit Up/Down	Checked	16 DIP
74LS193	156-0412-02	A	.440	CR	Sync, 4-bit Up/Down	Screened	16 DIP
74196	156-0097-01	N	.560	CR	Presettable Decade	Screened	14 DIP
74S196	156-0482-01	A	1.000	LR	Presettable Decade	Screened	14 DIP
74S196J	156-0883-02	N	1.500	CR	100 MHz Preset Decade Binary	Screened	14 DIP
74LS196	156-0727-01	A	.500	CR	30 MHz Preset Decade/Binary	Screened	14 DIP
74197	156-0142-02	N	.450	CS	Preset Binary Latch/Counter	Screened	16 DIP
74197J	156-0596-00	N	.660	CS	Preset Binary Latch/Counter		14 DIP
74197J	156-0596-01	N		NP	Preset Binary Latch/Counter	Checked	14 DIP
74S197	156-1183-00	A	1.450	CR	Preset Binary Latch/Counter	Screened	14 DIP
74LS197	156-0629-01	A	.500	CR	30 MHz Preset Binary	Screened	14 DIP
74LS197	156-0629-02		.540	CS	30 MHz Preset Binary	Screened	14 DIP
74390	156-0626-02	U	.730	CR	Dual, Decade	Screened	16 DIP
74LS390	156-0910-02	A	.490	CR	Dual, Decade	Screened	16 DIP
74393	156-0617-02	N	.910	CR	Dual, 4-bit	Screened	14 DIP
74LS393	156-1172-01	A	.570	CR	Dual, 4-bit Binary	Screened	14 DIP
74LS393	156-1172-03	A	.550	CR	Dual, 4-bit Binary	Screened	14 DIP
74LS461	156-1732-00	U	2.850	CR	Octal, w/3-state Output		24 DIP
74LS490	156-1448-01	A	1.220	CR	Dual, 4-bit Decade	Screened	16 DIP
74ALS561	156-2326-00		.860	CR	4-bit Binary w/3-state Output	Screened	20 DIP
74ALS569	156-2495-00	P		DL	Sync, 4-bit Up/Down Binary w/3-state Output	Screened	20 DIP
74F569PC	156-2802-00		2.220	PP	4-bit, Bidirectional w/3-state Output		20 DIP
74ALS569	156-1757-00	P	1.300	CR	Sync, 4-bit Up/Down w/3-state Output	Screened	20 DIP
74LS590	156-2331-00		2.830	CR	4-bit Binary w/Register & 3-state Output	Screened	16 DIP
74LS592	156-2456-00		2.830	PP	8-bit w/Parallel Inputs	Screened	16 DIP
74LS593	156-0437-00		4.400	CR	8-bit Binary w/Input Register	Screened	20 DIP
74AS867	156-2389-00	A	3.300	PP	Sync, 8-bit Up/Down Presettable	Screened	24 DIP
74AS867	156-2389-01	P	4.200	CS	Async, 8-bit Up/Down, w/Clear & Presettable		24 DIP
74AS867	156-2525-00			NP	Async, 8-bit Up/Down, w/Clear		24 DIP
74AS869	156-2291-00	A	3.300	CR	Sync, 8-bit Up/Down	Screened	24 DIP
8556	156-1054-00	N	3.200	CS	Binary, w/3-state Output		16 DIP
8556	156-1054-01	N	1.300	CR	Binary, w/3-state Output	Screened	16 DIP
9310	156-0084-02	N	.420	LS	Sync, BCD Decade	Screened	16 DIP

^a The nominal price (at time of printing) is listed in the cost column. For ND Codes (New Design Recommendations) and Status Codes, see tab marked CODES in the back of this catalog.

TTL (cont)

DATA SELECTORS/MULTIPLEXERS

JEDEC/Vendor Number	Part Number	Codes ^a			Description	Other	Case Style
		ND	Cost	ST			
74F138	156-1727-00		.770	CR	1 of 8 Decoder/Demultiplexer	Screened	16 DIP
74ALS139	156-2293-00	A	.600	CR	Dual, 2 to 4 Line Decoder/Multiplexer	Screened	16 DIP
74150	156-0299-02	A	.800	CR	16-input with Enable	Screened	24 DIP
74150J	156-0597-00	N	.490	CS	16-input with Enable		24 DIP
74150J	156-0597-01	N		NP	16-input with Enable	Checked	24 DIP
74151A	156-0075-02	N	.390	CR	8-input Data Selector/Multiplexer w/Enable	Screened	14 DIP
74151J	156-0563-00	N	.520	CS	8-input Data Selector/Multiplexer w/Enable		14 DIP
74151J	156-0563-01	N		NP	8-input Data Selector/Multiplexer w/Enable	Checked	14 DIP
74AS151	156-2073-00	U	.800	CR	Data Selector/Multiplexer	Screened	16 DIP
74F151	156-1746-00	U	.676	CR	8-input Multiplexer	Screened	16 DIP
74LS151	156-0994-02	A	.270	CR	8-input Data Selector/Multiplexer w/Enable	Screened	16 DIP
74S151N/J	156-0324-02		.280	CR	Data Selector/Multiplexer		16 DIP
74S151	156-0324-03		.520	CR	8-input Data Selector/Multiplexer	Screened	16 DIP
74153	156-0098-02	N	.370	CR	Dual, 4-input with Enable	Screened	16 DIP
74AS153	156-2428-00	A	.800	CR	Dual, 4 to 1 Line Data Selector/Multiplexer	Screened	16 DIP
74ALS153	156-2109-00	P	.460	CR	Dual, 4 to 1 Line Data Selector/Multiplexer	Screened	16 DIP
74F153	156-1662-00	U	.610	CR	Dual, 4-input with Enable	Screened	16 DIP
74S153	156-0325-02	A	.520	CR	Dual, 4-input with Enable	Screened	16 DIP
74HC153	156-2581-00	A	.460	EN	Dual, 4-Channel Multiplexer		16 DIP
74LS153	156-0798-02	A	.250	CR	Dual, 4-input with Enable	Screened	16 DIP
74157	156-0125-02	N	.330	CR	Quad, 2 to 1 Line Multiplexer	Screened	16 DIP
74F157	156-1909-00	A	.700	CR	Quad, 2-input Multiplexer	Screened	16 DIP
74ALS157	156-2182-00	U	.450	CR	Quad, 2 to 1 Line, Data Selector/Multiplexer	Screened	16 DIP
74AS157	156-2159-00	U	.800	CR	Quad, 2 to 1 Line, Data Selector/Multiplexer	Screened	16 DIP
74S157	156-1064-02	A	1.120	CR	Quad, 2 to 1 True Line Data Selector/Multiplexer	Screened	16 DIP
74LS157	156-0530-02	A	.230	CR	Quad, 2 to 1 Line Multiplexer	Screened	16 DIP
74AS158	156-2295-00	U	.800	CR	Quad, 1 of 2 Data Selector/Multiplexer	Screened	16 DIP
74ALS158	156-2161-00	A	.530	CR	Quad, 1 of 2 Data Selector/Multiplexer		16 DIP
74F158	156-1997-00	A	.700	CR	Quad, 2-input Multiplexer		16 DIP
74S158	156-1351-00	N	.550	CS	Quad, 2 to 1 Line Data Selector w/Inverted Output		16 DIP
74S158	156-1351-01	A	.480	CR	Quad, 2 to 1 Line, Data Selector w/Inverted Output	Screened	16 DIP
74LS158	156-1395-01	A	.310	CR	Quad, 2 to 1 Line Selector/Multiplexer	Screened	16 DIP
74159	156-0929-00		.900	CR	4 to 16 Line Demultiplexer/Decoder w/Open Collector Output		24 DIP
74251	156-0397-02	N	.530	CS	8-input w/3-state Output	Screened	16 DIP
74F251	156-2257-00	U	.850	CR	8-input Multiplexer w/3-state Output	Screened	16 DIP
74LS251	156-0470-02	A	.300	CR	8-input w/3-state Output	Screened	16 DIP
74F253	156-2260-00	U	.650	CR	Dual, 4-input Multiplexer	Screened	16 DIP
74LS253	156-0471-02	A	.330	CR	Dual, 4 to 1 Line Data Selector w/3-state Output	Screened	16 DIP
74AS257	156-2377-00	A	.860	CR	Quad, 2 to 1 Line Data Selector/Multiplexer w/3-state Output	Screened	16 DIP
74F257	156-2001-00	A	.750	CR	Quad, 2-input Multiplexer w/3-state Output	Screened	16 DIP
74S257	156-0522-02	A	.550	CR	Quad, 2-input Multiplexer w/3-state Output	Screened	16 DIP
74LS257	156-0529-02	A	.250	CR	Quad, 2-input Multiplexer w/3-state Output	Screened	16 DIP
74ALS257	156-2210-00	U	.490	CR	Quad, 1 of 8 Data Selector/Multiplexer w/3-state Output	Screened	16 DIP
74F258	156-2222-00		.850	CR	Quad, 2-input Multiplexer w/3-state Output	Screened	16 DIP
74AS258	156-2494-00	P	.950	CR	Quad, 1 of 2 Data Selector/Multiplexer w/3-state Inverted Output		16 DIP
74S258	156-1547-00	A	.550	CR	Quad, 2 to 1 Line Data Selector/Multiplexer	Screened	16 DIP
74LS258	156-1229-01	A	.320	CR	Quad, 2 to 1 Line Selector/Multiplexer w/3-state Output	Screened	16 DIP
74298	156-0373-02	N	.330	CR	Quad, 2-input Multiplexer w/Storage	Screened	16 DIP
74LS298	156-1045-01	A	.420	CR	Quad, 2-input Multiplexer w/Storage	Screened	16 DIP
74F352	156-2154-00	U	1.040	PP	Dual, 4-input Multiplexer	Screened	16 DIP
74AS352	156-2499-00	P		DL	Dual, 4 to 1 Line Data Selector/Multiplexer		16 DIP
74ALS352	156-2618-00		.600	CR	Dual, 4 to 1 Line Data Selector/Multiplexer	Screened	16 DIP
74LS352	156-1521-00	A	.460	CR	Dual, 4 to 1 Line Inverted Selector/Multiplexer	Screened	16 DIP
74AS353N	156-2931-00			EN	Dual, 4 to 1 Line Data Selector/Multiplexer w/3-state Outputs		16 DIP
74F353	156-2497-00	P		DL	Dual, 4-input Multiplexer w/3-state Output	Screened	16 DIP

^a The nominal price (at time of printing) is listed in the cost column. For ND Codes (New Design Recommendations) and Status Codes, see tab marked CODES in the back of this catalog.

TTL (cont)

DATA SELECTORS/MULTIPLEXERS (cont)

JEDEC/Vendor Number	Part Number	Codes ^a			Description	Other	Case Style
		ND	Cost	ST			
74LS354	156-2552-00		1.500	CR	8 to 1 Line Data Selector/Multiplexer/Register		20 DIP
74LS356	156-2081-00	U	1.620	CR	8 to 1 Line Data Selector/Multiplexer/Register	Screened	20 DIP
74LS399	156-1388-00	A	.610	CR	Quad, 2-input Multiplexer w/Storage	Screened	16 DIP
74LS450	156-1761-00	A	1.950	CR	16:1 Multiplexer	Screened	24 DIP
74LS606	156-1914-00			DL	Octal, 2-input Multiplexer Latch		28 DIP
74ALS688	156-2388-00	A	2.370	PP	8-bit Identity Comparator	Screened	20 DIP
74AS850	156-2521-00		2.600	PP	1 of 16 Data Selector/Multiplexer w/3-state Output		28 DIP
74AS857	156-2386-00	A	1.800	CR	Hex, 2 to 1 Universal Multiplexer	Screened	24 DIP
8234	156-0336-01	N	1.170	CR	2-input, 4-bit	Screened	16 DIP
8460-4	156-2030-01	A	22.000	CR	Data Separator	Screened	24 DIP
D82258	156-2488-00		2.600	CR	Octal, Decoder/Multiplexer		20 DIP

^a The nominal price (at time of printing) is listed in the cost column. For ND Codes (New Design Recommendations) and Status Codes, see tab marked CODES in the back of this catalog.

TTL (cont)
DECODERS

JEDEC/Vendor Number	Part Number	Codes ^a			Description	Other	Case Style
		ND	Cost	ST			
7442	156-0061-00	N		NP	BCD to Decimal Decoder		16 DIP
7442	156-0061-01	N		NP	BCD to Decimal Decoder	Checked	16 DIP
7442	156-0061-02	N	.350	CR	BCD to Decimal Decoder	Screened	16 DIP
7442J	156-0556-00	N	.360	CS	BCD to Decimal Decoder		16 IDP
7442J	156-0556-01	N		NP	BCD to Decimal Decoder	Checked	16 DIP
74LS42	156-0736-02	A	.300	CR	BCD to Decimal Decoder	Screened	16 DIP
7447A	156-0128-01	N	.680	CR	BCD to 7-segment Driver/Decoder	Screened	16 DIP
74ALS131	156-2538-00		.500	CR	3 to 8 Line Decoder/Demultiplexer w/Address Register	Screened	16 DIP
74AS131	156-2927-00		.710	EN	3 to 8 Line, Decoder/Demultiplexer w/Address Register		16 DIP
74ALS138	156-2100-00	A	.480	CR	3 to 8 Line Decoder/Demultiplexer	Screened	16 DIP
74F138	156-1727-00	U	.770	CR	1 of 8 Decoder/Demultiplexer	Screened	16 DIP
74S138	156-0694-02	A	.480	CR	3 to 8 Line	Screened	16 DIP
74S138	156-2945-00			PP	3 to 8 Line Decoder/Demultiplexer		16 DIP
74LS138	156-0469-02	A	.290	CR	3 to 8 Line	Screened	16 DIP
74ALS139	156-2293-00	A	.600	CR	Dual, 2 to 4 Line Decoder/Multiplexer	Screened	16 DIP
74F139	156-1726-00	U	.770	CR	Dual, 1 of 4 Decoder	Screened	16 DIP
74S139	156-0693-02	A	.480	CR	Dual, 2 to 4 Line Demultiplexer/Decoder	Screened	16 DIP
74LS139	156-0541-02	A	.290	CR	Dual, 2 to 4 Line Demultiplexer/Decoder	Screened	16 DIP
74145	156-0111-02	A	.455	CR	BCD to Decimal Driver/Decoder w/OC Output	Screened	16 DIP
74145J	156-0598-00	N	.650	CS	BCD to Decimal Driver/Decoder w/OC Output		16 DIP
74145J	156-0598-01	N		NP	BCD to Decimal Driver/Decoder w/OC Output	Checked	16 DIP
74154	156-0078-02	N	.520	CR	4 to 16 Line Demultiplexer/Decoder	Screened	24 DIP
74154J	156-0564-00	N	.930	CS	4 to 16 Line Demultiplexer/Decoder		24 DIP
74154J	156-0564-01	N		NP	4 to 16 Line Demultiplexer/Decoder	Checked	24 DIP
74LS154	156-1026-02	A	.630	CR	4 to 16 Line Decoder	Screened	24 DIP
74155	156-0110-02	N	.320	CR	Dual, 2 to 4 Line Demultiplexer/Decoder	Screened	16 DIP
74LS155	156-0390-02	A	.400	CR	Dual, 2 to 4 Line Decoder	Screened	16 DIP
74156	156-0141-02	N	.320	CR	Dual, 2 to 4 Line Decoder	Screened	16 DIP
74LS156	156-1432-02	A	.290	CR	Dual, 2 to 4 Line Decoder	Screened	24 DIP
74159	156-0929-00	N	.900	CR	4 to 16 Line Demultiplexer/Decoder w/OC Output		24 DIP
74F538	156-2083-00	P	2.200	CR	1 of 8 Decoder w/3-state Output	Screened	20 DIP
74F539	156-2548-00	A	2.750	CR	Dual, 1 of 4 Decoder w/3-state Output		20 DIP
74F548	156-2488-00		2.600	CR	Octal, Decoder/Multiplexer		20 DIP
8T06	156-0379-02	A	.680	LR	BCD to 7-segment Driver/Decoder	Screened	16 DIP
8341	156-2243-00	A	17.500	CR	Serial Bi-Phase Receiver/Decoder	Screened	24 DIP
8880	156-0284-03	N	.850	CS	BCD to 7-seg Driver/Decoder	Screened	16 DIP
9368	156-0493-02	U	1.300	CR	Hex to 7-seg Driver/Decoder/Latch		16 DIP
25LS2537	156-1870-00		2.000	CR	1 of 10 Decoder w/3-state Output & Polarity Control	Screened	20 DIP
25LS2538	156-1546-00	A	1.900	CR	1 of 8 Decoder w/3-state Output & Polarity Control	Screened	20 DIP
25LS2539	156-2164-00	U	2.100	CR	1 of 4 Decoder w/3-state Output & Polarity Control	Screened	20 DIP

^a The nominal price (at time of printing) is listed in the cost column. For ND Codes (New Design Recommendations) and Status Codes, see tab marked CODES in the back of this catalog.

TTL (cont)

DRIVERS/RECEIVERS/TRANSCIEVERS

JEDEC/Vendor Number	Part Number	Codes ^a			Description	Other	Case Style
		ND	Cost	ST			
DAC005	156-1731-00		10.000	CR	4-bit Transceiver Logic (Low Power Schottky)	Screened	20 DIP
UHP-408	156-1528-00	A	1.090	CR	Quad, 2-input NAND Power Driver		14 DIP
1488	156-0879-01	A	.410	CR	Quad, Line Driver	Screened	14 DIP
1489L	156-0878-01	A	.410	CR	Quad, Line Receiver	Screened	14 DIP
1662	156-2297-00	A	2.050	CR	Quad, High Speed Trapezoidal Bus Transceiver (Schottky)		DIE
2585A	156-2818-00		.880	CR	8-channel Source Driver		18 DIP
26S10	156-1747-00	U	2.300	CS	Quad, Bus Transceiver	Screened	16 DIP
26S12	156-0483-01		2.400	CR	Quad, Bus Transceiver		16 DIP
26LS30	156-1316-00	A	1.800	CR	Quad, 3-state, Single Ended RS422-RS423 Line Driver		16 DIP
26LS31	156-1681-00	U	1.800	CR	Quad, Differential Line Driver	Screened	16 DIP
26LS32	156-1315-00	A	1.150	CR	Quad, Differential RS422-RS423 Receiver		16 DIP
AM2908	156-1618-00	A	4.250	CR	Quad, Bus Transceiver w/Interface Logic (Low Power Schottky)	Screened	20 DIP
3245	156-0992-00	N	4.600	CR	Quad, TTL to MOS Driver (Schottky)		16 DIP
3440P	156-1219-00	A	1.740	CS	GPIO Transceiver		16 DIP
3440P	156-1219-03	A		MP	GPIO Transceiver	Screened	16 DIP
3441P	156-0600-00	N	1.450	CR	Quad, Bus Transceiver		16 DIP
3441P	156-0600-03	X		DL	Quad, Bus Transceiver	Screened	16 DIP
3446	156-0849-00	A	1.300	CR	Quad, Interface Bus Transceiver		16 DIP
3448	156-1133-00	A	.710	CR	Quad, 3-state Transceiver		16 DIP
3448	156-1133-01	N		NP	Quad, 3-state Transceiver	Checked	16 DIP
3448	156-1133-02	A		NP	Quad, 3-state Transceiver	Screened	16 DIP
3459	156-0740-01	N		NP	Quad, NAND Address Line Driver		14 DIP
3487	156-2244-00	A	23.250	CR	Quad, Line Driver w/3-state Output	Screened	16 DIP
DS3896	156-2216-00	A	6.000	CS	Future Bus Trapezoidal Transceiver	Screened	20 DIP
DS3897	156-2217-00	A	4.300	CS	Future Bus Trapezoidal Transceiver	Screened	20 DIP
6118	156-1649-00	A	.600	CR	Fluoro Display Driver	Screened	18 DIP
6875	156-1086-00		3.700	CR	2-phase Clock Generator/Driver		16 DIP
7445	156-0365-00	X	1.310	CR	BCD to Decimal Decoder/Divider		16 DIP
7447	156-0128-01	N	.680	CR	BCD to 7-segment Decoder/Driver		16 DIP
74LS47	156-1243-01	A	.600	CR	BCD to 7-segment Decoder/Driver	Screened	16 DIP
29833	156-2077-00	U		OB	Parity Bus Transceiver	Screened	24 DIP
29864	156-2040-00	U	4.350	CR	9-bit Transceiver	Screened	24 DIP
74LS140	156-0419-02	A	.330	CR	Dual 4-input NAND 50 Ohm Line Driver	Screened	16 DIP
74145J	156-0598-00	N	.650	CS	BCD to 7-segment Decoder/Driver		16 DIP
74145J	156-0598-01	N		NP	BCD to 7-segment Decoder/Driver	Checked	16 DIP
74LS145	156-1235-00	A	.440	CR	BCD to Decimal Decoder/Driver	Screened	16 DIP
74ALS240	156-1753-00	U	.930	CR	Octal, Buffer/Line Driver w/3-state Output	Screened	20 DIP
74ALS240-1	156-1753-01	U	1.140	CR	Octal, Buffer/Line Driver w/3-state Output	Screened	20 DIP
74AS240	156-2482-00	P	1.500	CR	Octal, Buffer/Line Driver w/3-state Output		20 DIP
74F240	156-1744-00	U	1.214	CR	Octal, Buffer/Line Driver		20 DIP
74F241	156-1745-00	U	1.680	CR	Octal, Buffer/Line Driver	Screened	20 DIP
74LS242	156-1025-00	N		NP	Quad, Bus Transceiver/Buffer		14 DIP
74LS242	156-1025-01	N		NP	Quad, Bus Transceiver/Buffer	Checked	14 DIP
74LS242	156-1025-02	A	.430	CR	Quad, Bus Transceiver/Buffer	Screened	14 DIP
74ASL243	156-1908-00	A	1.360	CR	Quad, Bus Transceiver	Screened	14 DIP
74LS243	156-0928-02	A	.460	CR	Quad, Bus Transceiver/Buffer	Screened	14 DIP
74ALS244	156-1754-02	P	1.080	CR	Octal Buffer/Line Driver w/3-state Output	Screened	20 DIP
74ALS244	156-2099-01	A	2.650	CR	Octal, Buffer/Line Driver/Line Receiver	Screened	20 DIP
74F244	156-1962-00	P	1.080	CR	Octal, Buffer/Line Driver	Screened	20 DIP
74ALS244	156-1754-01	P	.950	CR	Octal, Buffer/Line Driver w/3-state Output	Screened	20 DIP
74ALS1245	156-1748-00	U	1.120	CR	Octal, Bus Transceiver w/3-state Output	Screened	20 DIP
74ALS245-1	156-1748-01	U	1.340	CR	Octal, Bus Transceiver w/3-state Output	Screened	20 DIP
74ALS245	156-1748-02	P	1.050	CR	Octal, Bus Transceiver w/3-state Output	Screened	20 DIP
74AS245N	156-2930-00		2.200	EN	Octal, Bus Transceiver w/3-state Output		20 DIP
74F245	156-1725-00	A	2.170	CR	Octal, Bus Transceiver w/3-state Output	Screened	20 DIP

^a The nominal price (at time of printing) is listed in the cost column. For ND Codes (New Design Recommendations) and Status Codes, see tab marked CODES in the back of this catalog.

TTL (cont)

DRIVERS/RECEIVERS/TRANSCEIVERS (cont)

JEDEC/Vendor Number	Part Number	Codes ^a			Description	Other	Case Style
		ND	Cost	ST			
74LS245	156-1111-02	A	.701	CR	Octal, Bus Transceiver w/3-state Output	Screened	20 DIP
74LS362	156-0993-00	N		DL	4-Phase Clock/Generator/Driver		20 DIP
74LS362	156-0993-01	A	15.050	LR	4-Phase Clock/Generator/Driver	Screened	20 DIP
74365N	156-1187-00	N	.260	CS	Hex, Bus Driver w/3-state Output		16 DIP
74LS365	156-1220-01	A	.330	CR	Hex, Bus Driver w/3-state Output	Screened	16 DIP
74F367	156-3099-00			EN	Hex, Bus Driver w/3-state Output		14 DIP
74LS367	156-0852-02	A	.340	CR	Hex, w/3-state Input Bus Driver	Screened	16 DIP
74ALS368	156-2181-00	U		DL	Hex, Bus Driver w/3-state Output	Screened	16 DIP
74LS368	156-0720-02	A	.300	CR	Hex, Bus Driver w/3-state Input, 4 to 2 Line Enable	Screened	16 DIP
74ALS540J/N	156-2863-00		1.040	EN	Octal, Buffer/Line Driver w/3-state Output		20 DIP
74LS540N	156-2852-00		1.120	PP	Octal, Buffer/Line Driver		20 DIP
74ALS540N	156-2933-00			EN	Octal, Buffer/Line Driver w/3-state Output		20 DIP
74ALS541	156-2391-00		1.080	CR	Octal, Buffer/Driver w/3-state Output		20 DIP
74LS541	156-0438-00	A	.680	CR	Octal, Buffer/Line Driver w/3-state Output	Screened	20 DIP
74LS623	156-1861-00	A	1.090	CR	Octal, Bus Transceiver w/3-state Output	Screened	20 DIP
74ALS640	156-2211-00	U	1.120	CR	Octal, Bus Transceiver	Screened	20 DIP
74ALS640	156-2211-01	P		EN	Octal, Bus Transceiver		20 DIP
74ALS640A	156-2221-00		1.240	CR	Octal, Bus Transceiver w/3-state Output	Screened	20 DIP
74ALS623	156-2153-00	U	1.240	PP	Octal, Bus Transceiver, w/3-state Output	Screened	20 DIP
74LS640	156-1912-00	A	1.620	CR	Octal, Bus Transceiver	Screened	20 DIP
74LS644-1	156-2206-00		1.620	CR	Octal, Bus Transceiver	Screened	20 DIP
74ALS646	156-2086-00	P	3.800	CS	Octal, Bus Transceiver & Register	Screened	24 DIP
74AS646	156-2229-00	U	5.250	CS	Octal, Bus Transceiver & Register	Screened	24 DIP
74AS646	156-2406-00		5.250	EN	Octal, Bus Transceiver & Register		24 DIP
74LS646	156-1661-00	U	3.530	CR	Octal, Bus Transceiver	Screened	24 DIP
74AS648	156-2965-00		4.380	EN	Octal, Inverting, Bus Transceiver/Register w/3-state Output		24 DIP
74ALS648	156-2020-00	A	3.530	CR	Octal, Bus Transceiver & Register	Screened	
74ALS652	156-2292-00	P	3.750	CR	Octal, Bus Transceiver & Register		24 DIP
74AS652	156-2236-00	U	5.210	CS	Octal, Bus Transceiver & Register	Screened	24 DIP
74LS652	156-2044-00	A	3.380	PP	Octal, Bus Transceiver & Register	Screened	24 DIP
74F657N	156-2971-00			PP	Octal, Bi-directional Transceiver w/8-bit Parity Generator		24 DIP
74AS756	156-2429-00	A	1.780	PP	Octal, Buffer/Line Driver w/Open Collector Output	Screened	20 DIP
74AS759	156-3102-00			EN	Quad, Bus Transceiver w/Open Collector Output		14 DIP
74AS760N	156-2932-00			EN	Octal, Buffer/Line Driver w/Open Collector Output		20 DIP
74ALS804	156-2481-00	P	1.000	CR	Hex, 2-input NAND Driver		20 DIP
74AS804	156-1617-00	A	1.420	CR	Hex, 2-input NAND Driver	Screened	20 DIP
74AS804A	156-2124-00	U	7.000	CR	Hex, 2-input NAND Driver, Bipolar	Screened	20 DIP
74AS805A	156-2166-00		1.430	CR	Hex, 2-input NOR Driver	Screened	20 DIP
74AS808A	156-2156-00	P	1.430	CR	Hex, 2-input AND Driver	Screened	20 DIP
74ALS832AN	156-2998-00		.850	CR	Hex, 2-input OR Driver		20 DIP
74AS832B	156-2158-00	A	1.420	CR	Hex, 2-input OR Driver	Screened	20 DIP
74AS1008	156-2430-00	A	.630	PP	Quad, 2-input Positive AND Driver	Screened	14 DIP
74AS1032	156-2235-00	U	.750	CR	Quad, 2-input Positive OR Buffer/Driver	Screened	14 DIP
74AS1034	156-2500-00	P	.700	CR	Hex, Noninverting Driver		14 DIP
74ALS1034	156-2284-00		.450	CR	Hex, Driver		14 DIP
74AS1036	156-2468-00	P	.630	PP	Quad, 2-input Positive NOR Driver	Screened	14 DIP
74ALS1244	156-1754-00	U	.930	CR	Octal, Buffer/Line Driver w/3-state Output	Screened	20 DIP
74AS1804	156-2716-00		1.620	CR	Hex, 2-input NAND Driver		20 DIP
74AS1804	156-2967-00			EN	Hex, 2-input NAND Driver		20 DIP
75107A	156-0177-02	N	.450	CR	Dual, Line Receiver	Screened	16 DIP
75110	156-1523-00	A	.330	CS	Dual, Line Driver		14 DIP
75140	156-1304-00		1.140	CR	Interface, Dual, Line Receiver	Screened	8 DIP
75150	156-0139-02	A	.590	CR	Dual, Line Driver	Screened	8 DIP
75152	156-0934-00	A	2.100	CR	Dual, Line Receiver		16 DIP
75154	156-0138-02	A	.500	CR	Quad, Line Receiver	Screened	16 DIP

^a The nominal price (at time of printing) is listed in the cost column. For ND Codes (New Design Recommendations) and Status Codes, see tab marked CODES in the back of this catalog.

TTL (cont)

DRIVERS/RECEIVERS/TRANSCIEVERS (cont)

JEDEC/Vendor Number	Part Number	Codes ^a			Description	Other	Case Style
		ND	Cost	ST			
75162	156-2013-00		5.000	CR	IEEE-488 Transceiver	Screened	22 DIP
75176A	156-2037-00	A	1.000	CR	Differential Bus Transceiver	Screened	8 DIP
75154	156-0138-02	A	.500	CR	Quad, Line Receiver	Screened	16 DIP
75162	156-2013-00		5.000	CR	IEEE-488 Transceiver	Screened	22 DIP
75176A	156-2037-00	A	1.000	CR	Differential Bus Transceiver	Screened	8 DIP
75183	156-0181-00	N	.660	CS	Dual, Line Driver		14 DIP
75325	156-0206-02	N	1.380	CR	Interface Core Driver		16 DIP
75451	156-0094-02	A	.340	CR	Dual, 2-input AND Driver	Screened	8 DIP
75452	156-0302-02	A	.500	CR	Dual, 2-input NAND Driver	Screened	8 DIP
75453	156-0341-02	A	.300	CR	Dual, 2-input OR Driver	Screened	8 DIP
75454	156-0313-02	A	.300	CR	Dual, 2-input NOR Driver	Screened	8 DIP
75471	156-1925-00			EN	Dual, Peripheral Positive AND Driver		
75472	156-1926-00		.410	CR	Dual, Peripheral Positive NAND Driver	Screened	8 DIP
75473	156-0440-00	X	.410	CR	Dual, Peripheral Positive OR Driver	Screened	8 DIP
75494	156-0888-02	N	.550	CR	Hex, Digit Driver	Screened	16 DIP
8T06	156-0379-02	A	.680	LR	BCD to 7-segment Decoder/Driver	Screened	16 DIP
8T09	156-0851-02	N	.340	CR	Quad, to Bus Driver	Screened	14 DIP
8T13	156-0273-00	N	2.100	CR	Dual, Line Driver		14 DIP
8T15	156-0997-00	N	1.300	CS	Dual, Line Driver		24 DIP
8T16	156-0995-00	N	4.200	CS	Dual, Line Comm Line Driver		14 DIP
8T26	156-0996-00	A	.610	CS	Quad, Bus Transceiver w/3-state Output (Schottky)		16 DIP
8T26	156-0996-01	A	.684	CR	Quad, Bus Transceiver w/3-state Output (Schottky)	Screened	16 DIP
8T37	156-0683-00		.800	CR	Hex, Bus Receiver w/Hysteresis-Schmitt Trigger		16 DIP
8224	156-0945-00	X	4.250	CS	Clock Generator/Driver		14 DIP
8341	156-2243-00	A	17.500	CR	Serial Bi-phase Receiver/Decoder	Screened	24 DIP
8640	156-1055-00		.450	CS	Quad, NOR Bus Receiver		14 DIP
8654	156-1454-00	N	1.850	CR	8-output Display Driver		18 DIP
8654	156-1454-01	U	1.950	CR	8-output Display Driver	Screened	18 DIP
8831	156-0506-00	N	1.150	CR	Quad, 1-3 Dual Differential Line Driver		16 DIP
8833	156-0531-02	N	1.070	CR	Quad, Unified Bus Transceiver	Screened	16 DIP
8836	156-0456-02	N	.520	CR	Quad, 2-input NOR Bus Receiver	Screened	14 DIP
8837	156-0455-02	N	.570	CR	Hex, Bus Receiver	Screened	16 DIP
8838	156-0653-02	N	.600	CR	Quad, Unified Bus Transceiver	Screened	16 DIP
8863	156-1407-00	A	1.750	CR	MOS to LED 8-Digit Display Driver		18 DIP
9368	156-0493-02	U	1.300	CR	BCD to 7-seg Decoder/Driver	Screened	16 DIP
9614	156-0275-00	N	1.500	CR	Dual, Differential Line Driver		16 DIP
9614	156-0275-01	N	.950	CS	Dual, Differential Line Driver	Screened	16 DIP
9615	156-0274-00	N	1.950	CR	Dual, Differential Line Receiver		16 DIP
9615	156-0274-01	N	.950	CS	Dual, Differential Line Receiver	Screened	16 DIP
9616	156-1544-00	N	18.950	CR	Triple Line Driver		14 DIP
Z8103	156-1597-00	A	1.350	CR	Octal, 3-state Bidirect Bus Transceiver (Schottky)		20 DIP
53658N/J	156-2957-00		2.820	PP	Quad, High Current Peripheral Driver		16 DIP
TM9904-40	156-0993-02		21.630	CR	4-phase Clock Generator/Driver		20 DIP

ENCODERS

JEDEC/Vendor Number	Part Number	Codes ^a			Description	Other	Case Style
		ND	Cost	ST			
8340	156-2242-00	A	17.450	CR	Serial Bi-Phase Transmitter/Encoder	Screened	24 DIP
74147	156-0347-02	N	.900	CR	10 to 4 Line w/o Enable Encoder	Screened	16 DIP
74LS147	156-1177-01	A	.830	CR	10 to 4 Line w/o Enable Encoder	Screened	16 DIP
74148	156-0219-02	N	.630	CR	8 to 3 Line with Enable Encoder	Screened	16 DIP
74F148	156-2038-00	A	.610	CR	8 to 3 Line Priority	Screened	16 DIP
74LS148	156-1252-00	A	1.030	CR	8 to 3 Line Priority		
74LS148	156-1252-01	X	.910	CR	8 to 3 Line	Screened	16 DIP
74LS348	156-1176-01	A	.930	CR	8 to 3 Line w/3-state Output	Screened	16 DIP
74LS348	156-2771-00			DL	Priority Encoder		

^a The nominal price (at time of printing) is listed in the cost column. For ND Codes (New Design Recommendations) and Status Codes, see tab marked CODES in the back of this catalog.

TTL (cont)
FLIP-FLOPS

JEDEC/Vendor Number	Part Number	Codes ^a			Description	Other	Case Style
		ND	Cost	ST			
7472	156-0038-02	N	.370	CR	Single, J-K Master/Slave	Screened	14 DIP
74L72	156-0280-00		1.050	CR	Gated J-K w/Clear & Preset		14 DIP
7473	156-0039-02	N	.250	CR	Dual, J-K Master/Slave, No Preset	Screened	14 DIP
7473J	156-0557-00	N	.400	CS	Dual, J-K Master/Slave, w/Clear, No Preset		14 DIP
7473J	156-0557-01	N	.400	CS	Dual, J-K Master/Slave, No Preset	Checked	14 DIP
74LS73	156-0387-02	A	.230	CR	Dual, J-K, No Preset	Screened	14 DIP
7474	156-0041-05	N	.250	CR	Dual, D-type w/Clear, Preset	Screened	14 DIP
7474J	156-0558-00	N	.205	CS	Dual, D-type w/Clear, Preset		14 DIP
7474J	156-0558-01	N		NP	Dual, D-type w/Clear, Preset	Checked	14 DIP
74AS74	156-2338-00	A	.430	CR	Dual, D-type Positive, Edge Triggered w/Preset & Clear	Screened	14 DIP
74ALS74	156-1756-00	U	.270	CR	Dual, D-type Positive, Edge Triggered		14 DIP
74AS74N	156-2855-00			EN	Dual, D-type Positive, Edge Triggered w/Clear & Preset		14 DIP
74F74	156-1611-00	A	.410	CR	Dual, D-type, Edge Triggered		14 DIP
74LS74	156-0388-03	A	.160	CR	Dual, D-type w/Clear, Preset	Screened	14 DIP
74S74	156-0331-02		.320	CR	Dual, D-type, Edge Triggered w/Preset & Clear		14 DIP
74S74	156-0331-03	A	.370	CR	Dual, D-type w/Clear, Preset	Screened	14 DIP
7476	156-0042-02	N	.250	CR	Dual, J-K Master/Slave w/Clear, Preset	Screened	16 DIP
7476J	156-0560-00	N	.286	CS	Dual, J-K Master/Slave w/Clear, Preset		16 DIP
7476J	156-0560-01	N		NP	Dual, J-K Master/Slave w/Clear, Preset	Checked	16 DIP
74LS76	156-0731-02	A	.320	CR	Dual, J-K w/Clear, Preset	Screened	16 DIP
74H102	156-0100-00		.490	CR	Dual, J-K w/Clear, Preset		14 DIP
74107	156-1083-00	N	.270	CR	Dual, J-K Master/Slave w/Clear	Screened	14 DIP
74LS107	156-2118-00	U	.320	CR	Dual, J-K Master/Slave		14 DIP
74109	156-1015-00	N	.240	CS	Dual, J-K w/Preset & Clear		16 DIP
74F109	156-1919-00	A	.380	CR	Dual, J-K w/Positive		16 DIP
74LS109	156-1059-01	A	.255	CR	Dual, J-K w/Preset & Clear	Screened	16 DIP
74S109	156-1061-02	A	.470	CR	Dual, J-K w/Preset & Clear	Screened	16 DIP
74ALS109	156-1755-00	U	.320	CR	Dual, J-K Positive, Edge Triggered w/Clear, Preset		16 DIP
74111	156-0174-02	N	.410	CS	Dual, J-K w/Data Lock	Screened	16 DIP
74111J	156-0593-00	N	.560	CS	Dual, J-K w/Data Lock		16 DIP
74111J	156-0593-01	N		NP	Dual, J-K w/Data Lock	Checked	16 DIP
74F112	156-1974-00	A	.720	CR	Dual, J-K Negative, Edge Triggered	Screened	16 DIP
SN74S112N	156-0118-02		.400	CR	Dual, J-K		16 DIP
74S112	156-0118-03	A	.680	CR	Dual, J-K Negative, Edge Triggered	Screened	16 DIP
74ALS112	156-1758-00	U	.320	CR	Dual, J-K Negative, Edge Triggered w/Clear, Preset	Screened	16 DIP
74LS112	156-1258-01	A	.280	CR	Dual, J-K Negative, Edge Triggered	Screened	16 DIP
74LS113	156-0567-02	A	.230	CR	Dual, J-K w/Preset	Screened	14 DIP
74S113	156-1629-00	A	.050	CR	Dual, J-K w/Preset	Screened	14 DIP
74174	156-0222-02	N	.380	CR	Hex, D-type w/Comm Clear & Comm Clock	Screened	16 DIP
74ALS174	156-2179-00	U	.600	CR	Hex/Quad, D-type w/Clear	Screened	16 DIP
74F174	156-1911-00	A	1.170	CR	Hex, D-type	Screened	16 DIP
74AS174N	156-2928-00			EN	Hex, D-type w/Clear		16 DIP
74LS174	156-0391-02	A	.330	CR	Hex, D-type w/Comm Clear & Comm Clock	Screened	16 DIP
74S174	156-0738-04	A	.690	CR	Hex, D-type w/Comm Clear & Comm Clock	Screened	16 DIP
74S174	156-0738-03	N	.500	CR	Hex, D-type w/Comm Clear & Comm Clock		16 DIP
74175	156-0221-02	N	.380	CR	Quad, D-type w/Comm Clear & Clock, Complementary Output	Screened	16 DIP
74ALS175	156-2096-00	P	.490	CR	Octal D-type	Screened	16 DIP
74F175	156-1973-00		1.190	CR	Quad, D-type w/Comm Clear & Comm Clock, Edge Triggered	Screened	16 DIP
74LS175	156-0392-03	A	.350	CR	Quad, D-type w/Comm Clear Clock, Complm Output	Screened	16 DIP
74S175	156-0948-02	A	.410	CR	Quad, D-type w/Comm Clear & Comm Clock	Screened	16 DIP
74273	156-1708-00	N	.950	CR	Octal, D-type w/Clear	Screened	20 DIP
74ALS273	156-1998-00	A	1.130	CR	Octal, D-type		20 DIP
74F273	156-2539-00		1.500	EN	Octal, D-type, Edge Triggered		20 DIP
74F273	156-2634-00		1.000	CR	Octal, D-type, Edge Triggered		20 DIP
74LS273	156-0865-02	A	.520	CR	Octal, D-type w/Clear	Screened	20 DIP

^a The nominal price (at time of printing) is listed in the cost column. For ND Codes (New Design Recommendations) and Status Codes, see tab marked CODES in the back of this catalog.

TTL (cont)

FLIP-FLOPS (cont)

JEDEC/Vendor Number	Part Number	Codes ^a			Description	Other	Case Style
		ND	Cost	ST			
74276	156-1981-00		1.370	CR	Quad, J-K	Screened	20 DIP
74ALS374	156-2063-00	U	.950	CR	Octal, D-type, Edge Triggered	Screened	20 DIP
74AS374	156-2382-00		1.770	CR	Octal, D-type, Edge Triggered		20 DIP
74AS374	156-2519-00			NP	Octal, D-type		
74F374	156-1704-01		.900	CR	Octal, D-type w/3-state Output	Screened	20 DIP
74F374	156-1704-00	A	1.220	CR	Octal, D-type w/Enable w/3-state Output	Screened	20 DIP
74LS374	156-0982-03	A	.730	CR	Octal, D-type w/Enable	Screened	20 DIP
74LS374	156-0982-02	N	.460	CR	Octal D-type, Edge Triggered		20 DIP
74LS374	156-0982-04		5.400	SC	Octal D-type, Edge Triggered		20 DIP
74S374	156-1046-02	A	1.474	CR	Octal, D-type w/Enable	Screened	20 DIP
74F377N	156-2924-00		1.100	EN	Octal, D-type w/Clock Enable		20 DIP
74LS377	156-0913-02	A	.470	CR	Octal, D-type w/Enable	Screened	20 DIP
74LS378	156-1221-00	A	.520	CR	Hex, D-type w/Enable	Screened	16 DIP
74LS379	156-1326-00	A	.640	CR	Quad, D-type w/Enable	Screened	16 DIP
74F534	156-2002-00	A	1.240	CR	Octal, D-type w/3-state Output	Screened	20 DIP
74ALS564	156-1691-00	U	1.090	CR	Octal, D-type, Edge Triggered w/3-state Inverting Output	Screened	20 DIP
74F574PC	156-2953-00		1.950	EN	Octal, D-type Edge-Triggered w/3-state Output		20 DIP
74ALS574	156-1664-00	U	1.130	CR	Octal, D-type, Edge Triggered	Screened	20 DIP
74AS574	156-3000-00			EN	Octal, D-type, Edge Triggered w/3-state Output		20 DIP
74AS574	156-2612-00	N		PP	Octal, D-type, Edge Triggered w/3-state Output		20 DIP
74AS576	156-2638-00		2.240	EN	Octal, D-type, Edge Triggered w/3-state Output		20 DIP
74ALS874	156-2294-00	A	1.260	CR	Dual, 4-Bit D-type, Edge Triggered	Screened	24 DIP
74AS874	156-2232-00	U	2.590	CS	Dual, 4-Bit D-type, Edge Triggered	Screened	24 DIP
74ALS876	156-2285-00	A	1.260	CR	Dual, 4-Bit D-type, Edge Triggered		24 DIP
74ALS876	156-2318-00	A	2.050	CR	Dual, 4-Bit D-type, Edge Triggered		24 DIP
74ALS879A	156-2653-00	A	1.520	EN	Dual, 4-Bit D-type, Edge Triggered w/3-state Output		24 DIP
25LS2519	156-1868-00	A	2.100	CR	Quad, Register w/2 Independantly Controlled 3-state Output	Screened	20 DIP
25LS2520	156-1729-00	U	3.550	CR	Octal, D-type w/Clear & 3-state Output	Screened	22 DIP

GATES

JEDEC/Vendor Number	Part Number	Codes ^a			Description	Other	Case Style
		ND	Cost	ST			
12H6	156-2237-00	U	3.070	CS	Hex, 12-input AND/OR Gate Array		20 DIP
7400	156-0030-03	N	.230	CS	Quad, 2-input NAND	Screened	14 DIP
7400J	156-0549-00	N	.170	CS	Quad, 2-input NAND		14 DIP
7400J	156-0549-01	N		NP	Quad, 2-input NAND	Checked	14 DIP
74ALS00A	156-2091-00	P	.300	CR	Quad, 2-input Positive NAND	Screened	14 DIP
74ALS00	156-2091-01		.440	CR	Quad, 2-input Positive NAND	Screened	14 DIP
74AS00	156-2319-00	A	.400	CR	Quad, 2-input Positive NAND	Screened	14 DIP
74AS00	156-2484-00	A	.320	CR	Quad, 2-input Positive NAND		14 DIP
74F00	156-1707-00	U	.345	CR	Quad, 2-input NAND	Screened	14 DIP
74L00	156-0113-00			NP	Quad, 2-input NAND	Screened	14 DIP
74L00	156-0113-03	N	.490	CR	Quad, 2-input NAND		14 DIP
74LS00	156-0382-02	A	.180	CR	Quad, 2-input NAND	Screened	14 DIP
74S00	156-0180-04	A	.230	CR	Quad, 2-input NAND	Screened	14 DIP
7401	156-0057-00	N		NP	Quad, 2-input NAND w/Open Collector Output		14 DIP
7401	156-0057-02	N	.305	CR	Quad, 2-input NAND w/Open Collector Output	Screened	14 DIP
74ALS01	156-2332-00		.330	CR	Quad 2-input Positive NAND w/Open Collector Output	Screened	14 DIP
7401J	156-0550-00	N	.180	CS	Quad, 2-input NAND w/Open Collector Output		14 DIP
7401J	156-0550-01	N		NP	Quad, 2-input NAND w/Open Collector Output	Checked	14 DIP
7402	156-0043-03	N	.220	CR	Quad, 2-input NOR	Screened	14 DIP
7402J	156-0551-00	N	.290	CS	Quad, 2-input NOR		14 DIP

^a The nominal price (at time of printing) is listed in the cost column. For ND Codes (New Design Recommendations) and Status Codes, see tab marked CODES in the back of this catalog.

TTL (cont)

GATES (cont)

JEDEC/Vendor Number	Part Number	Codes ^a			Description	Other	Case Style
		ND	Cost	ST			
7402J	156-0551-01	N		NP	Quad, 2-input NOR	Checked	14 DIP
74ALS02	156-2092-00	P	.300	CR	Quad, 2-input Positive NOR	Screened	14 DIP
74AS02	156-2327-00		8.600	EN	Quad, 2-input Positive NOR	Screened	14 DIP
74AS02	156-2343-00	A	.400	PP	Quad, 2-input Positive NOR	Screened	14 DIP
74F02	156-1743-00	U	.310	CR	Quad, 2-input NOR		14 DIP
74L02	156-0268-00	N	1.520	CR	Quad, 2-input NOR		14 DIP
74L02	156-0268-01			NP	Quad, 2-input NOR		14 DIP
74LS02	156-0383-02	A	.165	CR	Quad, 2-input NOR	Screened	14 DIP
74S02	156-0690-03	A	.230	CR	Quad, 2-input NOR	Screened	14 DIP
7403	156-0186-02	N	.220	CR	Quad, 2-input NAND w/Open Collector Output	Screened	14 DIP
74ALS03	156-2390-00	X		DL	Quad, 2-input NAND w/Open Collector Output	Screened	14 DIP
74ALS03	156-2626-00		.280	CR	Quad, 2-input Positive NAND w/Open Collector Output		14 DIP
74LS03	156-0384-02	A	.170	CR	Quad, 2-input NAND	Screened	14 DIP
74S03	156-0303-01	A	.320	CR	Quad, 2-input NAND	Screened	14 DIP
7408	156-0129-02	N	.220	CR	Quad, 2-input AND	Screened	14 DIP
7408J	156-0588-00	N	.180	CS	Quad, 2-input AND		14 DIP
7408J	156-0588-01	N		NP	Quad, 2-input AND	Checked	14 DIP
74ALS08	156-2113-00	P	.300	CR	Quad, 2-input Positive AND	Screened	14 DIP
74ALS08	156-2113-01	A	.490	CR	Quad, 2-input Positive AND	Screened	14 DIP
74AS08	156-2321-00	A	.400	CR	Quad, 2-input Positive AND	Screened	14 DIP
74F08	156-1723-00	U	.310	CR	Quad, 2-input AND		14 DIP
74LS08	156-0480-02	A	.200	CR	Quad, 2-input AND	Screened	14 DIP
74S08J	156-0459-02	A	.230	CR	Quad, 2-input AND	Screened	14 DIP
7409	156-0460-01	N	.230	CR	Quad, 2-input AND w/Open Collector Output	Screened	14 DIP
74LS09	156-0728-02	A	.240	CR	Quad, 2-input AND w/Open Collector Output	Screened	14 DIP
74S09	156-1286-00	A	.330	CR	Quad, 2-input AND w/Open Collector Output	Screened	14 DIP
7410	156-0047-02		.220	CR	Triple, 3-input NAND	Screened	14 DIP
7410J	156-0553-00	N	.650	CS	Triple, 3-input NAND		14 DIP
7410J	156-0553-01	N		NP	Triple, 3-input NAND	Checked	14 DIP
74ALS10	156-1832-00	A	.320	CR	Triple, 3-input NAND	Screened	14 DIP
74ALS10	156-1832-01	A	.300	CR	Triple, 3-input Positive NAND	Screened	14 DIP
74AS10	156-2496-00	P	.580	PP	Triple, 3-input Positive NAND		14 DIP
74F10	156-1752-00	U	.310	CR	Triple, 3-input NAND	Screened	14 DIP
74LS10	156-0386-02	A	.170	CR	Triple, 3-input NAND	Screened	14 DIP
74S10	156-0321-01	A		NP	Triple, 3-input NAND	Screened	14 DIP
74S10	156-0321-02	A	.230	CR	Triple, 3-input NAND		14 DIP
7411	156-0163-02	U	.200	CR	Triple, 3-input AND	Screened	14 DIP
74ALS11	156-2176-00	U	.330	CR	Triple, 3-input Positive AND	Screened	14 DIP
74AS11N	156-2968-00		.250	EN	Triple, 3-input Positive AND		14 DIP
74F11	156-1663-00	U	.320	CR	Triple, 3-input AND	Screened	14 DIP
74LS11	156-0481-02	A	.200	CR	Triple, 3-input AND	Screened	14 DIP
74S11	156-0320-03	A	.230	CR	Triple, 3-input AND	Screened	14 DIP
7412	156-0144-02	N	.310	CR	Triple, 3-input NAND w/Open Collector Out	Screened	14 DIP
7412J	156-0587-00	N	.180	CS	Triple, 3-input NAND w/Open Collector Out		14 DIP
7412J	156-0587-01	N		NP	Triple, 3-input NAND w/Open Collector Out	Checked	14 DIP
74ALS12	156-2177-00	U	.300	CR	Triple, 3-input Positive NAND w/Open Collector Output	Screened	14 DIP
74LS12	156-0722-02	A	.240	CR	Triple, 3-input NAND w/Open Collector Out	Screened	14 DIP
7413	156-0149-00	N		NP	Dual, 4-input NAND Schmitt Triggered		14 DIP
7413	156-0149-02	N	.250	CR	Dual, 4-input NAND Schmitt Triggered	Screened	14 DIP
7413J	156-0586-00	N	.320	CS	Dual, 4-input NAND Schmitt Triggered		14 DIP
7413J	156-0586-01	N		NP	Dual, 4-input NAND Schmitt Triggered	Checked	14 DIP
74LS15	156-1267-00	A	.245	CR	Triple, 3-input AND w/Open Collector Output	Screened	14 DIP
74LS15	156-1267-01	N	.200	CS	Triple, 3-input AND w/Open Collector Output	Screened	14 DIP
74S15	156-1680-00	U	.290	CR	Triple, 3-input AND w/Open Collector Output	Screened	14 DIP
7420	156-0034-02	N	.300	CR	Dual, 4-input NAND	Screened	14 DIP

^a The nominal price (at time of printing) is listed in the cost column. For ND Codes (New Design Recommendations) and Status Codes, see tab marked CODES in the back of this catalog.

TTL (cont)
GATES (cont)

JEDEC/Vendor Number	Part Number	Codes ^a			Description	Other	Case Style
		ND	Cost	ST			
7420J	156-0554-00	N	.320	CS	Dual, 4-input NAND		14 DIP
7420J	156-0554-01	N		NP	Dual, 4-input NAND	Checked	24 DIP
74ALS20A	156-2101-00	A	.290	CR	Dual, 4-input Positive NAND	Screened	14 DIP
74AS20	156-2340-00	A	.400	PP	Dual, 4-input Positive NAND	Screened	14 DIP
74F20	156-1957-00	A	.310	CR	Dual, 4-input NAND	Screened	14 DIP
74L20	156-0160-00		.350	CR	Dual, 4-input Positive NAND		14 DIP
74LS20	156-0464-02	A	.200	CR	Dual, 4-input NAND	Screened	14 DIP
74S20	156-0304-02	A	.230	CR	Dual, 4-input NAND	Screened	14 DIP
7421	156-0297-02	N	.220	CR	Dual, 4-input NAND	Screened	14 DIP
74ALS21	156-2239-00	U	.340	CR	Dual, 4-input Positive AND	Screened	14 DIP
74AS21	156-2676-00		.400	PP	Dual, 4-input Positive AND		14 DIP
74LS21	156-0478-02	A	.200	CR	Dual, 4-input AND	Screened	14 DIP
74LS22	156-0538-02	N	.270	CR	Dual, 4-input NAND w/Open Collector Output	Screened	14 DIP
74S22	156-0404-01	A	.350	CR	Dual, 4-input NAND w/Open Collector Output	Screened	14 DIP
7425	156-0165-02	A	.230	CR	Dual, 4-input NOR w/Strobe	Screened	14 DIP
7425J	156-0590-00	N	.180	CS	Dual, 4-input NOR w/Strobe		14 DIP
7425J	156-0590-01	N		NP	Dual, 4-input NOR w/Strobe	Checked	14 DIP
7426	156-0112-00	N		NP	Quad, 2-input NAND w/Open Collector Output		14 DIP
7426	156-0112-02	N	.230	CR	Quad, 2-input NAND w/Open Collector Output	Screened	14 DIP
7426J	156-0584-00	N	.550	CS	Quad, 2-input NAND w/Open Collector Output		14 DIP
7426J	156-0584-01	N		NP	Quad, 2-input NAND w/Open Collector Output	Checked	14 DIP
74LS26	156-0970-03	A	.200	CR	Quad, 2-input NAND	Screened	14 DIP
7427	156-0178-02		.230	CR	Triple, 3-input NOR	Screened	14 DIP
74ALS27	156-2097-00	P	.300	CR	Triple, 3-input Positive NOR	Screened	14 DIP
74AS27	156-2324-00		.440	CR	Triple, 3-input Positive NOR	Screened	14 DIP
74LS27	156-0718-03	A	.200	CR	Triple, 3-input NOR	Screened	14 DIP
7430	156-0035-02	N	.230	CR	Single, 8-input NAND	Screened	14 DIP
7430J	156-0555-00	N	.250	CS	Single, 8-input NAND		24 DIP
7430J	156-0555-01	N		NP	Single, 8-input NAND	Checked	14 DIP
74ALS30	156-1910-00	U	.330	CR	8-input NAND	Screened	14 DIP
74AS30	156-2629-00	A	.400	CR	8-input Positive NAND		14 DIP
74L30	156-0267-00	N	.240	CR	8-input NAND		14 DIP
74LS30	156-0465-02	A	.200	CR	Single, 8-input NAND	Screened	14 DIP
74S30	156-0418-01	A	.280	CR	Single, 8-input NAND	Screened	14 DIP
74LS31	156-2090-00	U	.460	CR	Delay Element	Screened	16 DIP
7432	156-0171-02	N	.240	CR	Quad, 2-input OR	Screened	14 DIP
74ALS32	156-2093-00	P	.330	CR	Quad, 2-input Positive OR	Screened	14 DIP
74AS32	156-2339-00	A	4.000	CR	Quad, 2-input Positive OR	Screened	14 DIP
74F32	156-1724-00	U	.310	CR	Quad, 2-input OR		14 DIP
74LS32	156-0479-02	A	.200	CR	Quad, 2-input OR	Screened	14 DIP
74LS32	156-0479-04	N	.195	CR	Quad, 2-input OR	Screened	14 DIP
74S32	156-0739-02	A	.240	CR	Quad, 2-input OR	Screened	14 DIP
7451	156-0037-02	N	.230	CR	Dual, 2-wide, 2-input AND/OR Invert	Screened	14 DIP
74S51	156-1040-02	N	.230	CR	Dual, 2-wide, 2-input AND/OR Invert	Screened	14 DIP
74LS51	156-0875-02	A	.180	CR	Dual, 2-wide, 2-input AND/OR Invert	Screened	14 DIP
7454	156-0031-02	N	.300	CR	4-wide, 2-input AND/OR Invert		14 DIP
74LS54	156-0452-02	A	.250	CR	4-wide, 2 & 3-input AND/OR Invert	Screened	24 DIP
74F64	156-1751-00	U	.450	CR	4-2-3-2-input AND/OR Invert	Screened	14 DIP
74S64	156-0703-02	A	.230	CR	4-wide, 4-2-3-2-input AND/OR Invert	Screened	14 DIP
74S65	156-1285-00	A	.320	CR	4-2-3-2-input, AND/OR Invert w/Open Collector Output	Screened	24 DIP
7486	156-0062-00	N		NP	Quad, 2-input EX OR		14 DIP
7486	156-0062-01	N		NP	Quad, 2-input EX OR	Checked	14 DIP
7486	156-0062-02	N	.260	CR	Quad, 2-input EX OR	Screened	14 DIP
74ALS86	156-2095-00	U	.400	CR	Quad, 2-input EX OR		14 DIP
74F86	156-1800-00	U	.440	CR	Quad, 2-input EX OR	Screened	14 DIP

^a The nominal price (at time of printing) is listed in the cost column. For ND Codes (New Design Recommendations) and Status Codes, see tab marked CODES in the back of this catalog.

TTL (cont)

GATES (cont)

JEDEC/Vendor Number	Part Number	Codes ^a			Description	Other	Case Style
		ND	Cost	ST			
74S86	156-0707-03	A	.330	CR	Quad, 2-input EX OR	Screened	14 DIP
74LS86	156-0381-02	A	.230	CR	Quad, 2-input EX OR	Screened	14 DIP
74LS125	156-1373-01		.330	CR	Quad, Bus Buffer Gates w/3-state Output	Screened	14 DIP
74132	156-0371-02	N	.410	CR	Quad, 2 Input NAND, Schmitt Trigger	Screened	14 DIP
74LS132	156-0721-02	A	.370	CR	Quad, 2-input NAND, Schmitt Trigger	Screened	14 DIP
74LS132	156-0721-05		.580	CR	Quad, 2-input NAND, Schmitt Trigger	Screened	14 DIP
74S132	156-0413-02	A	.330	CR	Quad, 2 Input NAND, Schmitt Trigger	Screened	14 DIP
74ALS133	156-1759-00	U	.370	PP	13-input NAND	Screened	16 DIP
74LS133	156-0866-02	A	.280	CR	Single, 13-input NAND	Screened	16 DIP
74S133	156-0472-03	A	.250	CR	Single, 3-input NAND	Screened	16 DIP
74S134	156-1573-00	A	.290	CR	Triple, 12-input NAND	Screened	16 DIP
74LS136	156-0990-01	A	.310	CR	Quad, 2-input EX OR w/Open Collector Output	Screened	14 DIP
74LS260	156-0985-01	A	.220	CR	Dual, 5-input NOR	Screened	14 DIP
74S260	156-0966-01	A	.390	CR	Dual, 5-input NOR	Screened	14 DIP
74265	156-0696-02	N	.790	CR	Quad, Complement Output AND/NAND	Screened	16 DIP
74LS266	156-0652-02	N	.220	CR	Quad, 2-input EX NOR w/Open Collector Output	Screened	14 DIP
74LS266	156-0652-03	N	.320	CR	Quad, 2-input EX NOR w/Open Collector Output	Screened	14 DIP
N8881N/F	156-0917-00	N	1.100	CR	Quad, 2-input NAND		14 DIP
15837	156-1124-00		.170	CS	Hex, 1-input NAND		14 DIP
15849	156-1121-00		.170	PP	Dual, 2-input NAND		14 DIP
15858	156-1123-00		.170	CS	Quad, 2-input NAND, Power		14 DIP
15861	156-1120-00		.170	CS	Dual, 4-input NAND		14 DIP

GENERATORS

JEDEC/Vendor Number	Part Number	Codes ^a			Description	Other	Case Style
		ND	Cost	ST			
6875	156-1086-00		3.700	CR	2-phase Clock Generator/Driver		16 DIP
74180	156-0088-01	N		NP	8-bit, Odd/Even Generator/Checker	Checked	14 DIP
74180	156-0088-02	N	.400	CR	8-bit, Odd/Even Generator/Checker	Screened	14 DIP
74AS181A	156-2322-00	A	4.650	CR	ALU/Function Generator	Screened	24 DIP
74S181	156-0691-02	A	2.200	CR	ALU/Function Generator		20 DIP
74F182	156-2502-00	P		DL	Lookahead Carry Generator	Screened	16 DIP
74S182	156-0692-02	A	.790	CR	Lookahead Carry Generator	Screened	16 DIP
74S182	156-1048-02	A	1.370	CR	Lookahead Carry Generator	Screened	16 DIP
74F280	156-2039-00	P	1.000	CR	9-bit Parity Generator/Checker	Screened	14 DIP
74S280	156-1014-01	N	.980	CR	9-bit Odd/Even Parity Generator/Checker	Screened	14 DIP
74AS286	156-2527-00		1.250	CR	9-bit Parity Generator/Checker w/Bus Driver		
74LS280	156-0915-02	A	1.100	CR	9-bit Odd/Even Generator/Checker	Screened	14 DIP
74LS382	156-1865-00	A	1.520	CR	Dual, 4-bit Binary ALU/Function Generator	Screened	20 DIP
74AS881	156-1703-00	U	4.450	CR	4-bit, ALU/Function Generator	Screened	24 DIP
82S62	156-1084-00	A	2.150	CR	8-bit, Parity Generator/Checker		14 DIP
8506	156-1314-00	A	8.620	CS	Polynomial Generator, Bipolar		16 DIP
8581	156-2414-00		7.500	CR	Clock Generator & Controller		18 DIP
9904-40	156-0993-02		21.630	CR	4-phase Clock Generator/Driver		20 DIP

^a The nominal price (at time of printing) is listed in the cost column. For ND Codes (New Design Recommendations) and Status Codes, see tab marked CODES in the back of this catalog.

TTL (cont)

LATCHES

JEDEC/Vendor Number	Part Number	Codes ^a			Description	Other	Case Style
		ND	Cost	ST			
25S18	156-1062-02	N	2.400	CR	Quad, w/STD & 3-state Output	Screened	16 DIP
7475	156-0040-02	N	.300	CR	4-bit Bistable Complement Output	Screened	16 DIP
7475J	156-0559-00	N	.360	CS	4-bit Bistable Complement Output		16 DIP
7475J	156-0559-01	N		NP	4-bit Bistable Complement Output	Checked	16 DIP
74LS75	156-0735-02	A	.250	CR	4-bit Bistable Complement Output	Screened	16 DIP
74100	156-0193-02	N	.900	CS	8-bit	Screened	24 DIP
74177	156-0536-02	N	.800	CR	Preset Binary Center	Screened	14 DIP
74116	156-0521-02	N	.800	CR	4-bit		24 DIP
74197	156-0142-02	N	.320	CR	Preset Decade, Binary Center		14 DIP
74197J	156-0596-00	N	.660	CS	Preset Decade, Binary Center		14 DIP
74197J	156-0596-01	N		NP	Preset Decade, Binary Center	Checked	14 DIP
74F259	156-2503-00	P	1.350	CR	8-bit Addressable	Screened	16 DIP
74LS259	156-0874-02		.610	CR	8-bit Addressable	Screened	16 DIP
74279	156-0508-02	N	.410	CR	Quad S-R	Screened	16 DIP
74LS279	156-0804-02	A	.290	CR	Quad S-R	Screened	16 DIP
74ALS373	156-2111-00	U	1.050	CR	Octal, D-type w/3-state Output	Screened	24 DIP
74AS373	156-2065-00	U	1.770	CR	Octal, D-type Transparent w/3-state Output	Screened	20 DIP
74F373	156-1721-00	U	1.410	CR	Octal, D-type Transparent w/3-state Output		20 DIP
74LS373	156-1065-01	A	.665	CR	Octal, D-type Transparent	Screened	20 DIP
74S373	156-1250-02	A	.950	CR	Octal, D-type Transparent	Screened	20 DIP
74LS375	156-1318-00	A	.300	CR	4-bit Bistable	Screened	16 DIP
74F533	156-1871-00	A	1.470	CR	Octal Transparent w/3-state Output	Screened	20 DIP
74AS573	156-3017-00			EN	Octal, D-type Transparent w/3-state Output		20 DIP
74F573PC/DC	156-2926-00			EN	Octal, D-type w/3-state Output		20 DIP
74ALS573	156-1858-00	P	1.020	CR	Octal, D-type Transparent	Screened	20 DIP
74AS574	156-2613-00	N		CR	Octal, D-type Transparent w/3-state Output		20 DIP
74ALS580	156-2022-00	A	1.240	CR	Octal, D-type Transparent w/Inverting Output		20 DIP
74AS580	156-2639-00	A	2.240	EN	Octal, D-type Transparent w/3-state Output		20 DIP
74LS783	156-2431-00	A	1.320	PP	Dual, 4-bit D-type w/3-state Output	Screened	24 DIP
74LS794	156-2341-00		1.850	CR	8-bit Latch/Reg w/Readback	Screened	20 DIP
74ALS841	156-2342-00		1.900	CR	10-bit Bus Interface, D-type w/3-state Output		24 DIP
74ALS843	156-2950-00		2.320	CR	9-bit, Bus Interface, D-type w/3-state Output		24 DIP
74ALS844	156-2611-00		2.500	PP	9-bit Bus Interface, D-type Invert, w/3-state Output		24 DIP
74AS873	156-2234-00	U	2.580	CS	Dual, 4-bit D-type w/3-state Output	Screened	24 DIP
74AS880NT	156-2966-00		2.100	EN	Dual, 4-bit Inverting, D-type w/3-state Output		24 DIP
74ALS996NT	156-2954-00		4.440	EN	8-bit, D-type Edge Triggered, Readback		24 DIP
8TS805	156-1980-00	P	1.250	CR	Octal, Transparent	Screened	20 DIP
93L08	156-0220-00	N	2.500	CR	Dual, 4-bit		24 DIP
93L08	156-0220-01			NP	Dual, 4-bit	Checked	24 DIP
93L14	156-0327-00		1.260	CR	Quad		16 DIP
93L14	156-0327-01			NP	Quad	Checked	16 DIP
9334	156-0218-02	X	.950	CS	8-bit Addressable	Screened	16 DIP
93L34	156-0544-00		3.750	CS	8-bit Addressable		16 DIP
93L34	156-0544-02		2.620	CR	8-bit Addressable	Screened	16 DIP
29841DC	156-1855-00		2.500	CR	Bus Interface	Screened	24 DIP

^a The nominal price (at time of printing) is listed in the cost column. For ND Codes (New Design Recommendations) and Status Codes, see tab marked CODES in the back of this catalog.

TTL (cont)

LOGIC ARRAYS

JEDEC/Vendor Number	Part Number	Codes ^a			Description	Other	Case Style
		ND	Cost	ST			
PAL10L8	156-1801-00	A	2.050	CR	Octal, 10-input AND/OR Invert		20 DIP
PAL10L8-2	156-2444-00		1.800	CR	Octal, 10-input AND/OR Invert		20 DIP
PAL12L6	156-1677-00	A	3.260	CR	Hex, 12-input AND/OR Invert		20 DIP
PAL12L10	156-1802-00	A	2.500	CR	Decimal, 12-input AND/OR Invert		24 DIP
PAL14H4	156-1999-00	A	1.500	CR	Quad, 14-input AND/OR		20 DIP
PAL14L4	156-1669-00	A	1.900	CR	Quad, 14-input AND/OR Invert	Screened	20 DIP
PAL14L8	156-1892-00	A	3.590	CR	Octal, 14-input AND/OR Invert		20 DIP
PAL16L2	156-1808-00	A	1.900	CR	Dual, 16-input AND/OR Invert		20 DIP
PAL16R4A	156-2123-00	U	2.000	CR	Quad, 16-input Registered AND/OR		20 DIP
PAL16R4BCN	156-2754-00		4.800	EN	Quad, 16-input Registered AND/OR		20 DIP
PAL16R4BN	156-2664-00		2.650	CR	Quad, 16-input Registered AND/OR		20 DIP
PAL16R4L	156-2046-00		1.900	CR	Hex, 16-input Registered AND/OR	20 DIP	
PAL16RP4ACN	156-2883-00		3.020	CR	Quad, 16-input Registered AND/OR	20 DIP	
PAL16R4A-2	156-1659-00	A	1.650	CR	Quad, 16-input Registered AND/OR	20 DIP	
PAL16R4A-4	156-2138-00		1.420	CR	Quad, 16-input Registered AND/OR	20 DIP	
PAL16R4-15CN	156-2934-00			EN	Quad, 16-input Registered AND/OR	20 DIP	
PAL16R4-25	156-2942-00			EN	Quad, 16-input Registered AND/OR	20 DIP	
PAL16L6	156-2152-00	U	4.000	CR	Hex, 16-input AND/OR Invert	Screened	24 DIP
PAL16R6A	156-1637-01	A	2.000	CR	Hex, 16-input Registered AND/OR, High Speed		20 DIP
PAL16R6L	156-2031-00			DL	Hex, 16-input Registered AND/OR		20 DIP
PAL16R6L	156-2048-00	U	2.500	CR	Hex, 16-input Registered AND/OR		20 DIP
PAL16R6A-2	156-1637-00	A	1.650	CR	Hex, 16-input Registered AND/OR		20 DIP
PAL16R6A-4	156-2105-00		2.650	CR	Octal, 16-input Registered AND/OR		20 DIP
PA16R6-15	156-2393-00	A	6.500	PP	Hex, 16-input Registered AND/OR	20 DIP	
PAL16R6-25	156-2963-00		1.500	EN	Hex, 16-input Registered AND/OR	20 DIP	
PAL16H8	156-2050-00	A	4.750	CR	Octal, 16-input AND/OR	24 DIP	
PAL16L8A	156-1809-01	P	2.000	CR	Octal, 16-input AND/OR Invert, High Speed	20 DIP	
PAL16L8B	156-2124-00	U	7.000	CR	Octal, 16-input AND/OR Invert	20 DIP	
PAL16L8D	156-1809-03			EN	Octal, 16-input AND/OR Invert	20 DIP	
PAL16R8A	156-1658-01		2.000	CR	Octal, 16-input Registered AND/OR	20 DIP	
PAL16R8B	156-2993-00		2.650	PP	High Speed	20 DIP	
PAL16R8L	156-2047-00		2.500	CR	Hex, 16-input Registered AND/OR	20 DIP	
PAL16L8A-2	156-1809-00	P	2.000	CR	Octal, 16-input AND/OR	20 DIP	
PAL16R8A-2	156-1658-00	A	2.300	CR	Octal, 16-input Registered AND/OR	20 DIP	
PAL16L8A-4	156-1809-02		2.150	CR	Octal, 16-input AND/OR Invert	20 DIP	
PAL16L8-4C	156-1937-00	U	1.900	CR	Octal, 16-input Registered AND/OR Low Power Programmable	20 DIP	
PAL16R8-4	156-0442-00		3.200	CR	Octal, 16-input Registered AND/OR	20 DIP	
PAL16L8-15CN	156-2935-00			EN	Octal, 16-input AND/OR Invert	20 DIP	
PAL16R8-15	156-2394-00	A	6.500	PP	Octal, 16-input Registered AND/OR	20 DIP	
PAL16R8-15	156-2967-00			EN	Octal, 16-input Registered AND/OR	20 DIP	
PAL16L8-25	156-2941-00			EN	Octal, 16-input AND/OR Invert	20 DIP	
PAL16R8-25	156-2673-00	A	3.200	PP	Octal, 16-input Registered	20 DIP	
PAL16R8-25	156-2946-00			EN	Octal, 16-input Registered AND/OR	20 DIP	
PAL18L4CN/J	156-2850-00		4.170	PP	18-input, 4-output	24 DIP	
PAL19L8-25	156-2937-00			EN	Octal, 19-input Registered AND/OR Invert	24 DIP	
PAL20L2	156-2121-00	U	4.250	CR	Dual, 20-input AND/OR Invert	Screened	24 DIP
PAL20E4A	156-1806-00	P	2.650	CR	Quad, 20-input Registered AND/OR		24 DIP
PAL20X4	156-2017-00	U	5.450	CR	Quad, 20-input Registered AND/OR		24 DIP
PAL20X4	156-2017-01		4.400	CR	Quad, 20-input Registered AND/OR		24 DIP
PAL20R4-15	156-2948-00		5.500	EN	Quad, 20-input Registered AND/OR		24 DIP
PAL20R4-25	156-2938-00			EN	Quad, 20-input Registered AND/OR	24 DIP	
PAL20R6A	156-1938-00	A	5.500	CR	Hex, 20-input Registered AND/OR	Screened	24 DIP
PAL20R6B	156-2866-00		4.750	CR	Hex, 20-input Registered AND/OR		24 DIP
PAL20R6-15	156-2969-00		5.500	EN	Hex, 20-input Registered AND/OR		24 DIP
PAL20R6-25	156-2939-00			EN	Hex, 20-input Registered AND/OR		24 DIP

^a The nominal price (at time of printing) is listed in the cost column. For ND Codes (New Design Recommendations) and Status Codes, see tab marked CODES in the back of this catalog.

TTL (cont)
LOGIC ARRAYS (cont)

JEDEC/Vendor Number	Part Number	Codes ^a			Description	Other	Case Style
		ND	Cost	ST			
PAL20L8A	156-1803-00	P	3.750	CR	Octal, 20-input AND/OR Invert		24 DIP
PAL20L8A	156-1803-01	A	5.400	CR	Octal, 20-input AND/OR Invert		24 DIP
PAL20L8BCNS	156-2861-00		4.750	CR	20-input AND/OR Invert		24 DIP
PAL20R8A	156-1805-00	P	3.750	CR	Octal, 20-input Registered AND/OR Invert, High Speed		24 DIP
PAL20X8	156-2084-00	A	4.950	CR	Octal, 20-input Registered AND/OR	Screened	24 DIP
PAL20L8-15CNT	156-2943-00		5.500	EN	Octal, 20-input AND/OR		24 DIP
PAL20R8-15CNT	156-2947-00		5.500	EN	Octal, 20-input AND/OR		24 DIP
PAL20L8-25	156-2936-00			EN	Octal, 20-input AND/OR		24 DIP
PAL20R8-25	156-2940-00			EN	Octal, 20-input Registered AND/OR		24 DIP
PAL20L10	156-2049-00	A	3.500	CR	DECA 20-input AND/OR Invert		24 DIP
PAL20RA10	156-2647-00			DL	Programmable	Screened	24 DIP
PAL20RA10CN	156-2411-00		19.500	CR	Async, Registered		24 DIP
PAL20X10	156-1804-00	A	3.150	CR	Decimal 20-input Registered AND/OR Invert	Screened	24 DIP
PAL22V10	156-2250-00		7.950	CR	DECA 22-input AND/OR Invert		24 DIP
PAL22V10A	156-2250-01			EN	DECA 22-input AND/OR Invert		24 DIP
74PL839	156-2505-00	P		DL	14 x 32 x 6 FPLA		24 DIP
N82S100	156-1269-00	A	7.500	CR	16 x 48 x 8 FPLA w/3-state Output		28 DIP
N82S105	156-1968-00		10.500	CR	16 x 18 x 8 FPLA w/3-state Output		28 DIP
N82S105A	156-2068-00	A	16.500	PP	Bi-Polar Prog Sequencer		28 DIP
N82S107	156-1254-00	A	10.600	LR	FPLA w/3-state Output		28 DIP
N82S151	156-2058-00	U	2.000	PP	FPLA		20 DIP
N82S153	156-1916-00	A	2.550	CR	FPLA		20 DIP

MULTIVIBRATORS

JEDEC/Vendor Number	Part Number	Codes ^a			Description	Other	Case Style
		ND	Cost	ST			
26S02	156-1195-01	N	1.950	CR	Dual, Retriggerable Monostable	Screened	16 DIP
74121	156-0072-02	N	.260	CR	Single, Monostable w/Schmitt Trigger Inputs	Screened	14 DIP
74121J	156-0562-00	N	.390	CR	Single, Monostable		14 DIP
74121J	156-0562-01	N		NP	Single, Monostable	Checked	14 DIP
74122	156-0143-02	N	.370	CR	Single, Retriggerable w/Clear, Monostable	Screened	14 DIP
74122J	156-0594-00	N	.310	CS	Single, Retriggerable w/Clear, Monostable		14 DIP
74122J	156-0594-01	N		NP	Single, Retrigger w/Clear, Monostable	Checked	14 DIP
74123	156-0172-02	N	.320	CR	Dual, Monostable w/Clear, Schmitt Trigger Input	Screened	16 DIP
74123J	156-0595-00	N	.340	CS	Dual, Monostable w/Clear, Schmitt Trigger Input		16 DIP
74123J	156-0595-01	N		NP	Dual, Monostable w/Clear, Schmitt Trigger Input	Checked	16 DIP
74LS123	156-1600-00	A	.160	CR	Dual, Retriggerable, Monostable	Screened	16 DIP
74221	156-0706-02	N	.500	CR	Dual, Monostable w/Clear, Schmitt Trigger Input	Screened	16 DIP
74LS221	156-0733-02	A	.520	CR	Dual, Monostable w/Clear, Schmitt Trigger Input	Screened	16 DIP
74LS221	156-0733-03	N	.540	CR	Dual, Monostable w/Clear, Schmitt Trigger Input	Screened	16 DIP
74LS221	156-0733-04		.540	CR	Dual, Monostable w/Clear, Schmitt Trigger Input		16 DIP
74LS423	156-2023-00		.550	LS	Dual, Retriggerable, Monostable		16 DIP
9601	156-0081-02	N	.720	CR	One Shot	Screened	14 DIP
9601DC	156-0622-00	N	.420	CS	One Shot		14 DIP
9601DC	156-0622-01	N		NP	One Shot	Checked	14 DIP
9602	156-0405-03	N	.380	CR	Dual, Retriggerable, Resettable	Screened	16 DIP
9602DC	156-0623-00	N	.830	CS	Dual, Retriggerable, Resettable		16 DIP
9602DC	156-0623-01	N		NP	Dual, Retriggerable, Resettable, One Shot	Checked	16 DIP
96S02	156-1645-00	N	1.500	CR	Dual, Retriggerable, Resettable, Monostable	Screened	16 DIP
96LS02	156-1335-00	A	.745	CR	Dual, Retriggerable, Resettable	Screened	16 DIP
96L02	156-0487-02		.980	CR	Dual, Retriggerable Monostable	Screened	16 DIP

^a The nominal price (at time of printing) is listed in the cost column. For ND Codes (New Design Recommendations) and Status Codes, see tab marked CODES in the back of this catalog.

TTL (cont)

PROMS

SEE MEMORY SELECTION GUIDE, SECTION 2

RAMS

SEE MEMORY SELECTION GUIDE, SECTION 2

REGISTERS

JEDEC/Vendor Number	Part Number	Codes ^a			Description	Other	Case Style
		ND	Cost	ST			
AM2503	156-2212-00		4.950	CR	8-Bit Successive Approx. Register		16 DIP
29521	156-2506-00	P		DL	Pipeline Register, Multilevel	Screened	24 DIP
29818	156-2072-00	U	5.000	PP	Pipeline Register	Screened	24 DIP
29821	156-1702-00	U	2.500	CR	10-Bit Register w/3-state Output	Screened	24 DIP
29823	156-1963-00	P	2.500	CR	9-Bit Register Noninverting	Screened	24 DIP
29824	156-1736-00	P	2.500	CR	High Performance Bus Interface	Screened	24 DIP
29825	156-2079-00	U	3.150	CR	8-Bit Register	Screened	24 DIP
74F112	156-1974-00	A	.720	CR	Octal, Edge Triggered	Screened	20 DIP
74278	156-2070-00	A		DL	4-Bit Cascadable Priority Register	Screened	14 DIP
74F354	156-2552-00		1.500	CR	8 to 1 Line, Data Selector/Multiplexer/Register		20 DIP
74F379	156-2264-00	U	1.190	CR	Quad, Parallel Register w/Enable	Screened	16 DIP
74F398	156-2157-00	U		DL	H.S. Quad, 2-port Register	Screened	20 DIP
74F399A	156-1936-00	P	1.000	CR	Quad, 2-input, 4-bit Register	Screened	20 DIP
74F399	156-1634-00	A	1.070	CR	Quad, 2-input, 4-bit Register	Screened	16 DIP
74F407SDC	156-2925-00			EN	Data Access w/3-state Output		24 DIP
74F540N	156-2852-00		1.120	PP	Data Access w/3-state Output		24 DIP
74AS648	156-2965-00		4.380	EN	Inverting, Octal Bus Transceiver/Register w/3-state Output		24 DIP
74AS652	156-2236-00	U	5.210	CS	Octal, Bus Transceiver/Register	Checked	24 DIP
74ALS652	156-2292-00	P	3.750	CR	Octal, Bus Transceiver/Register		24 DIP
N8TS806	156-1979-00	P	1.250	CR	Positive & Edge Triggered	Screened	20 DIP
8201	156-0152-01	N		NP	Dual, 5-bit Inverted Input Bus, Register	Checked	24 DIP
8203	156-0249-01			NP	10-bit Inverted Register	Checked	24 DIP
8551	156-0398-02	N	.590	CR	4-bit D-type w/3-state Output	Screened	16 DIP

REGISTER FILES

JEDEC/Vendor Number	Part Number	Codes ^a			Description	Other	Case Style
		ND	Cost	ST			
74LS170	156-0732-00	N	.680	CS	4 x 4 Register File w/3-state Output		16 DIP
74LS670	156-0989-02	A	.660	CR	4 x 4 Register File	Screened	16 DIP
74AS870	156-2387-00	a	4.100	CR	Dual, 16 x 4 Register File	Screened	24 DIP

^a The nominal price (at time of printing) is listed in the cost column. For ND Codes (New Design Recommendations) and Status Codes, see tab marked CODES in the back of this catalog.

TTL (cont)

SHIFT REGISTERS

JEDEC/Vendor Number	Part Number	Codes ^a			Description	Other	Case Style
		ND	Cost	ST			
2502	156-1456-00	N	3.300	CS	Successive Approx Register		16 DIP
25L04	156-1792-00	A	5.000	CR	8-bit Successive Approx Register, Low Power	Screened	24 Dip
25S08	156-1049-00	N	1.300	CR	Quad, Parallel w/Register & Enable		16 DIP
7495	156-0120-02	N	.320	CS	4-bit Right Shift, Left Shift	Screened	14 DIP
7495J	156-0602-00	N	.290	CS	4-bit Right Shift, Left Shift		14 DIP
7495J	156-0602-01	N		NP	4-bit Right Shift, Left Shift	Checked	14 DIP
74LS95	156-0389-02	A	.370	CR	4-bit Right Shift, Left Shift	Screened	16 DIP
7496	156-0073-02	N	.320	OT	5-bit, Shift Register	Screened	16 DIP
74LS96	156-1275-02		.550	CR	5-bit	Screened	16 DIP
74164	156-0131-02	N	.450	CR	8-bit, Parallel Output, Serial	Screened	14 DIP
74F164	156-2120-00	P	.890	CR	Serial Input/Parallel Output	Screened	14 DIP
74LS164	156-0651-02	A	.410	CR	8-bit, Parallel Output, Serial	Screened	14 DIP
74165	156-0146-02	N	.420	CS	8-bit, Parallel Load	Screened	16 DIP
74LS165	156-0789-02	A	.600	CR	8-bit, Parallel Load	Screened	16 DIP
74166	156-0301-02	N	.470	CS	8-bit, Parallel Input/Serial Output	Screened	16 DIP
74LS166	156-1313-00	A	.510	CR	8-bit, Parallel Input/Serial Output	Screened	16 DIP
74LS173	156-0951-02	A	.390	CR	4-bit, D-type, 3-state Output	Screened	16 DIP
74194	156-0697-00	N	.280	CS	4-bit Bi-directional		16 DIP
74AS194N	156-2929-00		1.070	EN	4-bit Bi-directional Universal, Parallel Output, Right Shift, Left Shift, Serial Input		16 DIP
74F194	156-1961-00	P	.930	CR	4-bit Bi-directional, Universal	Screened	16 DIP
74S194	156-0744-04	A	.670	CR	4-bit Bi-directional	Screened	16 DIP
74S194	156-0744-03	N	1.400	CR	4-bit Bi-directional		16 DIP
74LS194	156-0768-01	A	.390	CR	4-bit Bi-directional	Screened	16 DIP
74195	156-0367-02	N	.110	CS	4-bit, Parallel Access	Screened	16 DIP
74F195	156-2518-00		1.120	CR	4-bit, Parallel Access	Screened	16 DIP
74LS195	156-0376-01	A	.330	CR	4-bit, Parallel Access	Screened	16 DIP
74S195	156-0326-02	A	.800	CR	4-bit, Parallel Access	Screened	16 DIP
74S195	156-0326-03	X	.400	CR	4-bit, Parallel Access	Screened	16 DIP
74LS295	156-0734-02	A	.600	CR	4-bit, Right Shift, Left Shift, w/3-state Output	Screened	14 DIP
74F299	156-2259-00	U	2.750	CR	8-input Universal Shift/Storage	Screened	20 DIP
74S299	156-1197-01	N	2.680	CR	8-bit Universal Shift/Storage	Screened	20 DIP
74ALS299	156-1856-00	P	1.860	CR	8-bit Universal Shift/Storage	Screened	20 DIP
74LS299	156-0975-02	A	1.750	CR	8-bit Universal Shift/Storage w/3-state Output	Screened	20 DIP
74LS299	156-0975-03	N	1.650	CR	8-bit Universal Shift/Storage w/3-state Output	Screened	20 DIP
74F350	156-2504-00	P		DL	8-bit Shift w/3-state Output	Screened	16 DIP
74LS322	156-1481-00	A	3.050	CR	8-bit w/Sign Extender	Screened	20 DIP
74F378	156-2067-00	P	1.160	CR	6-bit Parallel D-Register, w/Enable	Screened	16 DIP
74LS595	156-1917-00	U	2.830	CR	8-bit Serial Input/Parallel Output	Screened	16 DIP
74LS597	156-2141-00		2.750	CR	8-bit w/Input Latches		16 DIP
74F676	156-1933-00	P	7.750	CR	16-bit Parallel Input/Serial Output	Screened	24 DIP
82S70	156-1328-00	N	2.250	CS	4-bit Register	Screened	14 DIP
8273	156-0497-02		2.070	CR	10-bit, Serial Input/Parallel Output	Screened	16 DIP
8274	156-0498-00		1.500	CR	10-bit Parallel Input/Serial Output		16 DIP
86LS62	156-1251-00	N	2.940	CR	Dual, Rand 8-bit w/3-state Output	Screened	18 DIP
9300PC/DC	156-0083-00		.620	CR	4-bit		16 DIP
93L28	156-0310-00	N		DL	Dual, 8-bit	Screened	16 DIP
93L28	156-0310-02	N	.980	CS	Dual, 8-bit		16 DIP

^a The nominal price (at time of printing) is listed in the cost column. For ND Codes (New Design Recommendations) and Status Codes, see tab marked CODES in the back of this catalog.

TTL (cont)
MISCELLANEOUS

JEDEC/Vendor Number	Part Number	Codes ^a			Description	Other	Case Style
		ND	Cost	ST			
100124	156-1671-00	A		DL	Hex, TTL to ECL Translator		24 DIP
10H124	156-2289-00	U	1.170	CR	Quad, TTL to MECL Translator	Screened	16 DIP
100125	156-1670-00	A		DL	Hex, ECL to TTL Translator		24 DIP
10H125	156-2290-00	U	1.178	CR	Quad, MECL to TTL Translator	Screened	16 DIP
10H350	156-2350-00		3.400	CR	Quad, ECL to TTL Translator		16 DIP
2960-1	156-2231-00	U	58.900	CS	Cascadable 16-bit Error Detection & Correction Unit	Screened	48 DIP

^a The nominal price (at time of printing) is listed in the cost column. For ND Codes (New Design Recommendations) and Status Codes, see tab marked CODES in the back of this catalog.

TTL FAMILY NUMBER LISTING^a STANDARD

Vendor Number	Part Number	Description	Case Style
PAL10L8CJ	156-1801-XX	Logic Array, Octal, 10-input AND/OR Invert	20 DIP
PAL10L8-2	156-2444-XX	Logic Array, Octal, 10-input AND/OR Invert	20 DIP
PAL12H6	156-2237-XX	Gate Array, Hex, 12-input AND/OR	20 DIP
PAL12H6CJ	156-2237-XX	Gate Array, Hex, 12-input AND/OR	20 DIP
PAL12L6CS	156-1677-XX	Gate, Hex, 12-input AND/OR	20 DIP
PAL12L10CJ	156-1802-XX	Logic Array, Decimal, 12-input AND/OR Invert	20 DIP
PAL14H4CJ	156-1999-XX	Logic Array, Quad, 14-input AND/OR	20 DIP
PAL14L4CJ	156-1669-XX	Gate, Quad, 14-input AND/OR	20 DIP
PAL14L8CJ	156-1892-XX	Logic Array, Octal, 14-input AND/OR Invert	20 DIP
PAL16L2CJ	156-1808-XX	Logic Array, Dual, 16-input AND/OR Invert	20 DIP
PAL16R4A	156-1659-XX	Gate, Quad, 16-input AND/OR	20 DIP
PAL16R4A	156-2123-XX	Logic Array, Quad, 16-input Registered AND/OR	20 DIP
PAL16R4BN	156-2664-XX	Gate Array, Quad, 16-input Registered AND/OR	20 DIP
PAL16R4BCN	156-2754-XX	Logic Array, Quad, 16-input Registered AND/OR	20 DIP
PAL16R4CN	156-2934-XX	Logic Array, Quad, 16-input Registered AND/OR	20 DIP
PAL16R4LCJ	156-2046-XX	Logic Array, Hex, 16-input Registered AND/OR	20 DIP
PAL16RP4ACN	156-2883-XX	Logic Array, Quad, 16-input Registered AND/OR	20 DIP
PAL16R4-25	156-2942-XX	Logic Array, Quad, 16-input Registered AND/OR	20 DIP
PAL16L6	156-2152-XX	Logic Array, Hex, 16-input Registered AND/OR Invert	24 DIP
PAL16R6A	156-1637-XX	Gate, 16-input AND/OR	20 DIP
PAL16R6L	156-2031-XX	Logic Array, Hex, 16-input Registered AND/OR	20 DIP
PAL16R6LCJ	156-2048-XX	Logic Array, Hex, 16-input Registered AND/OR	20 DIP
PAL16R6A-4	156-2105-XX	Logic Array, Octal, 16-input Registered AND/OR	20 DIP
PAL16R6-15	156-2393-XX	Logic Array, Hex, 16-input Registered AND/OR	20 DIP
PAL16R6-25	156-2963-XX	Logic Array, Hex, 16-input Registered AND/OR	20 DIP
PAL16H8CJ	156-2050-XX	Logic Array, Octal, 16-input AND/OR	20 DIP
PAL16L8A	156-1809-XX	Logic Array, Octal, 16-input AND/OR Invert	20 DIP
PAL16R8ACJ	156-1658-XX	Gate, Octal, 16-input AND/OR	20 DIP
PAL16R8B	156-2993-00	Logic Array, High Speed	20 DIP
PAL16R8LCJ	156-2047-XX	Logic Array, Hex, 16-input Registered AND/OR	20 DIP
PAL16R8A-2	156-1658-XX	Gate, Octal, 16-input AND/OR	20 DIP
PAL16L8-4CJ	156-1937-XX	Logic Array, Low Power Programmable	20 DIP
PAL16R8-4CJ	156-0442-XX	Logic Array, Octal, 16-input Registered AND/OR	20 DIP
PAL16L8-15CN	156-2935-XX	Logic Array, 16-input AND/OR Invert	20 DIP
PAL16R8-15	156-2394-XX	Logic Array, Octal, 16-input Registered AND/OR	20 DIP
PAL16R8-15	156-2967-00	Logic Array, Octal, 16-input Registered AND/OR	20 DIP
PAL16L8-25	156-2941-XX	Logic Array, Octal, 16-input AND/OR Invert	20 DIP
PAL16R8-25	156-2673-XX	Logic Array, Octal, 16-input, Registered	20 DIP
PAL16R8-25	156-2946-XX	Logic Array, Octal, 16-input Registered AND/OR	20 DIP
PAL18L4CN/J	156-2850-XX	Logic Array, 18-input, 4-output	24 DIP
PAL19L8-25	156-2937-XX	Logic Array, Octal, 19-input Registered AND/OR Invert	24 DIP
PAL20L2CN	156-2121-XX	Logic Array, Dual, 20-input AND/OR Invert	24 DIP
PAL20R4ACJ	156-1806-XX	Logic Array, Quad, 20-input Registered AND/OR	24 DIP
PAL20X4	156-2017-XX	Logic Array, Quad, 20-input Registered AND/OR	24 DIP
PAL20R4-15	156-2948-XX	Logic Array, Quad, 20-input Registered AND/OR	24 DIP
PAL20R6ACJ	156-1938-XX	Logic Array, Hex, 20-input Registered AND/OR	24 DIP
PAL20R6-15	156-2969-XX	Logic Array, Hex, 20-input Registered AND/OR	24 DIP
PAL20R6-25	156-2939-XX	Logic Array, Hex, 20-input Registered AND/OR	24 DIP
PAL20L8ACJ	156-1803-XX	Logic Array, Octal, 20-input AND/OR	24 DIP
PAL20L8BCNS	156-2861-XX	Logic Array, 20-input AND/OR Invert	24 DIP
PAL20R8ACJ	156-1805-XX	Logic Array, Octal, 20-input Registered AND/OR	24 DIP
PAL20X8CJ	156-1804-XX	Logic Array, DECA, 20-input Registered AND/OR	24 DIP
PAL20X8CJ	156-2084-XX	Logic Array, Octal, 20-input Registered AND/OR	24 DIP
PAL20L8-15CNT	156-2943-XX	Logic Array, Octal, 20-input AND/OR	24 DIP
PAL20R8-15CNT	156-2947-XX	Logic Array, Octal, 20-input AND/OR	24 DIP
PAL20L8-25	156-2936-XX	Logic Array, Octal, 20-input AND/OR	24 DIP
PAL20R8-25	156-2940-XX	Logic Array, Octal, 20-input Registered AND/OR	24 DIP
PAL20L10CJ	156-2049-XX	Logic Array, DECA, 20-input AND/OR Invert	24 DIP
PAL20RA10CN	156-2411-XX	Logic Array, Registered	24 DIP
PAL20RA10CN	156-2647-XX	Logic Array, Programmable	24 DIP

^a For listing by function, see Sections 1, 2 and 6.

TTL FAMILY NUMBER LISTING^a (cont)

STANDARD (cont)

Vendor Number	Part Number	Description	Case Style
PAL22V10	156-2250-XX	Logic Array, DECA, 22-input AND/OR Invert	24 DIP
UHP408	156-1528-XX	Driver, Quad, 2-input NAND	14 DIP
8U1	156-2979-XX	Parallel Multiplexer, 8 x 8 Bit	20 DIP
8T06	156-0379-XX	Decoder/Driver, BCD to 7-segment	16 DIP
8T09	156-0851-XX	Driver, Quad, Bus	14 DIP
8T13	156-0273-XX	Driver, Dual, Line	16 DIP
8T15	156-0997-XX	Driver, Dual, Line	14 DIP
8T16	156-0995-XX	Driver, Dual, Line, Communication Line	14 DIP
8T37	156-0683-XX	Receiver, Hex, Bus w/Hysteresis-Schmitt Trigger	16 DIP
WTL1164	156-2512-XX	Multiplier, Floating Point, Type A LCC	68 DIP
WTL1165	156-2511-XX	ALU, Floating Point, Type A LCC	68 DIP
1488	156-0879-XX	Driver, Quad, Line	14 DIP
1489L	156-0878-XX	Receiver, Quad Line	14 DIP
2208	156-2119-XX	Adder/Comparator, 4 Quad Mux w/Op Amp	16 DIP
2502	156-1456-XX	Register, Successive Approximate	16 DIP
AM2503	156-2212-XX	Register, 8-bit	16 DIP
2585A	156-2818-XX	Driver, 8-channel Source	18 DIP
3245	156-0992-XX	Driver, Quad, TTL to MOS	16 DIP
3440P	156-1219-XX	Quad Bus Transceiver, GPIB	16 DIP
3441P	156-0600-XX	Quad Bus Transceiver, GPIB	16 DIP
3446	156-0849-XX	Transceiver, Quad Interface Bus	16 DIP
3448	156-1133-XX	Quad 3-state Transceiver, GPIB	14 DIP
3459	156-0740-XX	Driver, Quad, NAND Address Line	14 DIP
3487	156-2244-XX	Line Driver, Quad, w/3-state Output	16 DIP
DS3896	156-2216-XX	Transceiver, Future Bus Trapezoidal	20 DIP
DS3897	156-2217-XX	Transceiver, Future Buss Trapezoidal	20 DIP
4018P	156-0202-XX	Counter, Hex, Program Mod-N	16 DIP
4022P	156-0372-XX	Comparator, Dual, 4-bit	16 DIP
4024P	156-0121-XX	Multivibrator, Dual, Voltage-controlled	14 DIP
4035P	156-0198-XX	Latch, Quad w/Open Collector Output	14 DIP
4044P	156-0124-XX	Detector, Phase/Frequency	14 DIP
4048P	156-0159-XX	Decoder, Non-inverter 1-of-8 Line	16 DIP
6118	156-1649-XX	Driver, Fluorescent Display	18 DIP
7400	156-0030-XX	Gate, Quad, 2-input NAND	14 DIP
7400J	156-0549-XX	Gate, Quad, 2-input NAND	14 DIP
74HC00	156-2256-XX	Gate, Quad, 2-input Positive NAND	14 DIP
7401	156-0057-XX	Gate, Quad, 2-input NAND w/Open Collector Output	14 DIP
7401J	156-0550-XX	Gate, Quad, 2-input NAND	14 DIP
7402	156-0043-XX	Gate, Quad, 2-input NOR	14 DIP
7402J	156-0551-XX	Gate, Quad, 2-input NOR	14 DIP
7403	156-0186-XX	Gate, Quad, 2-input NOR w/Open Collector Output	14 DIP
7404	156-0058-XX	Inverter, Hex	14 DIP
7404J	156-0552-XX	Inverter, Hex	14 DIP
7405	156-0092-XX	Inverter, Hex w/Open Collector Output	14 DIP
74H05	156-0922-XX	Inverter, Hex	14 DIP
7406	156-0153-XX	Buffer, Hex Inverter w/Open Collector Output	14 DIP
7406J	156-0611-XX	Inverter, Hex	14 DIP
7407	156-1080-XX	Buffer, Hex, High Voltage w/2 Open Collector Output	14 DIP
7408	156-0129-XX	Gate, Quad, 2-input AND	14 DIP
7408J	156-0588-XX	Gate, Quad, 2-input AND	14 DIP
7409	156-0460-XX	Gate, Quad, 2-input AND	14 DIP
7410	156-0047-XX	Gate, Triple, 3-input NAND	14 DIP
7410J	156-0553-XX	Gate, Triple, 3-input NAND	14 DIP
7411	156-0163-XX	Gate, Triple, 3-input AND	14 DIP
7412	156-0144-XX	Gate, Triple, 3-input NAND w/Open Collector Output	14 DIP
7412J	156-0587-XX	Gate, Triple, 3-input NAND w/Open Collector Output	14 DIP
7413	156-0149-XX	Gate, Dual, 4-input NAND, Schmitt Trigger	14 DIP
7413J	156-0586-XX	Gate, Dual, 4-input NAND Schmitt	14 DIP
7414	156-0462-XX	Gate/Inverter, Hex, Schmitt Trigger	14 DIP
7416	156-0093-XX	Buffer, Hex Inverter	14 DIP

^aFor listing by function, see Sections 1, 2 and 6.

TTL FAMILY NUMBER LISTING^a (cont)

STANDARD (cont)

Vendor Number	Part Number	Description	Case Style
7416J	156-0585-XX	Buffer, Hex Inverter	14 DIP
7417	156-0140-XX	Buffer, Hex w/Open Collector Output	14 DIP
7417J	156-0589-XX	Buffer, Hex w/Open Collector Output	14 DIP
7420	156-0034-XX	Gate, Dual, 4-input NAND	14 DIP
7420J	156-0554-XX	Gate, Dual, 4-input NAND	14 DIP
74H20	156-1169-XX	Gate, Dual, 4-input NAND	14 DIP
7421	156-0297-XX	Gate, Dual, 4-input AND	14 DIP
74H21	156-1050-XX	Gate, Dual, 4-input AND	14 DIP
7425	156-0165-XX	Gate, Dual, 4-input NOR w/Strobe	14 DIP
7425J	156-0590-XX	Gate, Dual, 4-input NOR w/Strobe	14 DIP
7426	156-0112-XX	Gate, Quad, 2-input NAND	14 DIP
7426J	156-0584-XX	Gate, Quad, 2-input NAND	14 DIP
7427	156-0178-XX	Gate, Triple, 3-input NOR	14 DIP
7428	156-0374-XX	Buffer, Quad, 2-input NOR	14 DIP
7430	156-0035-XX	Gate, Single, 8-input NAND	14 DIP
7430J	156-0555-XX	Gate, Single, 8-input NAND	14 DIP
7432	156-0171-XX	Gate, Quad, 2-input OR	14 DIP
7433	156-0424-XX	Buffer, Quad, 2-input NOR	14 DIP
7437	156-0150-XX	Buffer, Quad, 2-input NAND	14 DIP
7437J	156-0591-XX	Buffer, Quad, 2-input NAND	14 DIP
7438	156-0145-XX	Buffer, Quad, 2-input NAND	14 DIP
7438J	156-0592-XX	Buffer, Quad, 2-input NAND	14 DIP
7440	156-0036-XX	Buffer, Dual, 4-input NAND	14 DIP
7442	156-0061-XX	Decoder, BCD-to-decimal	16 DIP
7442J	156-0556-XX	Decoder, BCD-to-decimal	16 DIP
7447	156-0128-XX	Decoder/Driver, BCD-to-7 Segment	
7451	156-0037-XX	Gate, Dual, 2-wide, 2-input AOI	14 DIP
7454	156-0031-XX	Gate, 4-Wide, 2-input AOI	14 DIP
7472	156-0038-XX	Flip-Flop, Dual, J-K Master/Slave	14 DIP
7473	156-0039-XX	Flip-Flop, Dual, J-K Master/Slave	14 DIP
7473J	156-0557-XX	Flip-Flop, Dual, J-K Master/Slave	14 DIP
7474	156-0041-XX	Flip-Flop, Dual, D-type	14 DIP
7474J	156-0558-XX	Flip-Flop, Dual, D-type	14 DIP
7475	156-0040-XX	Latch, Quad	16 DIP
7475J	156-0559-XX	Latch, Quad	16 DIP
7476	156-0042-XX	Flip-Flop, Dual, J-K Master/Slave	16 DIP
7476J	156-0560-XX	Flip-Flop, Dual, J-K Master/Slave	16 DIP
7483	156-0087-XX	Full Adder, 4-bit Binary Gate	16 DIP
7485	156-0123-XX	Magnitude Comparator, 4-bit	14 DIP
7486	156-0062-XX	Gate, Quad, 2-input EX/OR	14 DIP
7490	156-0079-XX	Counter, Decade	14 DIP
7490A	156-0395-XX	Counter, Decade	14 DIP
7492	156-0114-XX	Counter, Divide-by-12	14 DIP
7493	156-0032-XX	Counter, 4-bit Binary	14 DIP
7493J	156-0561-XX	Counter, 4-bit Binary	14 DIP
7495	156-0120-XX	Register, 4-bit Right-shift, Left-shift	14 DIP
7495J	156-0602-XX	Register, 4-bit Par-ACS Shift	14 DIP
7496	156-0073-XX	Register, 5-bit Shift	16 DIP
7497	156-0311-XX	Multiplier, 6-bit Binary Rate	16 DIP
7992A	156-2471-XX	Converter	24 DIP
8023	156-2246-XX	Converter	20 DIP
8090	156-0406-XX	Buffer, Quad, Inverter/Dual, 2-input NAND	16 DIP
8092	156-0473-XX	Gate, Dual, 5-input NAND	16 DIP
8094	156-0396-XX	Buffer, Quad, 2-input, w/3-state Output	16 DIP
8097	156-0535-XX	Buffer, Hex, w/3-state Output	16 DIP
8130	156-0537-XX	Comparator, 10-bit	24 DIP
8136	156-0539-XX	Comparator, 6-bit Unified Bus	16 DIP
8160	156-0845-XX	Comparator, 16-bit	16 DIP
8201	156-0152-XX	Buffer/Register, Dual, 5-bit Inverter Input	24 DIP
8201	156-0601-XX	Buffer/Inverter, Dual, 5-bit Inverter Input	24 DIP

^a For listing by function, see Sections 1, 2 and 6.

TTL FAMILY NUMBER LISTING^a

STANDARD (cont)

Vendor Number	Part Number	Description	Case Style
8202	156-0250-XX	Register, 10-bit	24 DIP
8224	156-0945-XX	Generator/Driver, Clock	16 DIP
8234	156-0336-XX	Multiplexer, Quad, 2-input	16 DIP
8271	156-0919-XX	Register, 4-bit Shift	16 DIP
8273B	156-0497-XX	Register, Shift, 10-bit, Serial-in, Parallel-out	16 DIP
8274B	156-0498-XX	Register, Shift, 10-bit, Parallel-in, Serial-out	16 DIP
8290	156-0097-XX	Counter, Decade	14 DIP
8340	156-2242-XX	Transmitter/Encoder, Serial Bi-phase	24 DIP
8341	156-2243-XX	Receiver/Decoder, Serial Bi-phase	24 DIP
8460-4	156-2030-XX	Data Separator	24 DIP
8506	156-1314-XX	Generator, Polynomial, Bi-polar	16 DIP
8551	156-0398-XX	Latch, Quad, w/3-state Output	16 DIP
8556	156-1054-XX	Counter, Programmed Decade/Binary	16 DIP
8581	156-2414-XX	Clock Generator/Controller	18 DIP
8640	156-1055-XX	Receiver, Quad, NOR Bus	14 DIP
8654	156-1454-XX	Driver, 8-Output Display	18 DIP
88L12	156-1347-XX	Inverter, Hex, Interface Gate	14 DIP
8815	156-1053-XX	Gate, Dual, 4-input	14 DIP
8831	156-0506-XX	Driver, Quad, Single End-dual Differential Input	16 DIP
8833	156-0531-XX	Transceiver, Quad, Unified Bus	16 DIP
8836	156-0456-XX	Receiver, Quad, 2-input NOR Bus	14 DIP
8837	156-0455-XX	Receiver, Hex, Bus	16 DIP
8838	156-0653-XX	Transceiver, Quad, Unified Bus Inverter	16 DIP
8856	156-1110-XX	Driver, LED, BCD-to-7 Segment	16 DIP
8863	156-1407-XX	Driver, MOS to LED 8-Digit Display	18 DIP
8880	156-0284-XX	Decoder/Driver, BCD-to-7 Segment (DD700)	16 DIP
9300PC	156-0083-XX	Register, 4-bit	16 DIP
9304	156-0148-XX	Full Adder, Dual	16 DIP
9310PC	156-0084-XX	Counter, Sync Decade (74160)	16 DIP
9334	156-0218-XX	Latch, 8-bit Addressable	16 DIP
9368PC	156-0493-XX	Decoder/Driver, BCD-to-7 Segment	16 DIP
9401	156-0969-XX	Generator/Checker, Redundancy	14 DIP
9601	156-0081-XX	Multivibrator, Retriggered, Monostable	14 DIP
9601DC	156-0622-XX	Multivibrator, Retriggered, Monostable	24 DIP
9602	156-0405-XX	Multivibrator, Dual, Retriggered Monostable	14 DIP
9602DC	156-0623-XX	Multivibrator, Dual, Retriggered Monostable	14 DIP
9614	156-0275-XX	Driver, Dual Differential Line	16 DIP
9615	156-0274-XX	Receiver, Dual Differential Line	16 DIP
9616	156-1544-XX	Driver, Triple Line	14 DIP
15837	156-1124-XX	Gate, Hex, 1-input NAND	14 DIP
15849	156-1121-XX	Gate, Dual, 2-input NAND	
15858	156-1123-XX	Gate, Power, Quad, 2-input NAND	
15861	156-1120-XX	Gate, Dual, 4-input NAND	
29521	156-2506-XX	Register, Pipeline, Multilevel	24 DIP
29818	156-2072-XX	Register, Pipeline	24 DIP
29825	156-2079-XX	Register, 8-bit	24 DIP
29827	156-1840-XX	Buffer, 10-bit Bus	24 DIP
29833	156-2077-XX	Transceiver, Parity Bus	24 DIP
29864	156-2040-XX	Transceiver, 9-bit	24 DIP
53658	156-2957-XX	Peripheral Driver, Quad, High Current	16 DIP
74100	156-0193-XX	Latch, 8-bit	24 DIP
74107	156-1083-XX	Flip-Flop, Dual, J-K, Master/Slave w/Clear	14 DIP
74109	156-1015-XX	Flip-Flop, Dual, J-K with Preset Clear	16 DIP
74111	156-0174-XX	Flip-Flop, Dual, J-K Master/Slave w/Data Lock	16 DIP
74111J	156-0593-XX	Flip-Flop, Dual, J-K Master/Slave w/Data Lock	16 DIP
74116	156-0521-XX	Latch, 4 Bit	24 DIP
74121	156-0072-XX	Multivibrator, Monostable (One-shot)	14 DIP
74121J	156-0562-XX	Multivibrator, Monostable (One-shot)	14 DIP
74122	156-0143-XX	Multivibrator, Retriggered (One-shot) w/Clear	14 DIP
74122J	156-0594-XX	Multivibrator, Retriggered (One-shot) w/Clear	14 DIP

^a For listing by function, see Sections 1, 2 and 6.

TTL FAMILY NUMBER LISTING^a

STANDARD (cont)

Vendor Number	Part Number	Description	Case Style
74123	156-0172-XX	Multivibrator, Dual, Retriggered (One-shot) w/Clear	16 DIP
74123J	156-0595-XX	Multivibrator, Dual, Retriggered (One-shot) w/Clear	16 DIP
74128	156-0451-XX	Buffer, Quad, 2-input NOR	14 DIP
74128J	156-0613-XX	Buffer, Quad, 2-input NOR	14 DIP
74132	156-0371-XX	Gate/Inverter, Quad, 2-input NAND, Schmitt Trigger	16 DIP
74145	156-0111-XX	Decoder/Driver, BCD-to-decimal	16 DIP
74145J	156-0598-XX	Decoder/Driver, BCD-to-decimal	16 DIP
74147	156-0347-XX	Encoder, 10-to-4 Line	16 DIP
74148	156-0219-XX	Encoder, 8-to-3 Line	16 DIP
74150	156-0299-XX	Selector, 16-bit Data	24 DIP
74150J	156-0597-XX	Selector, 16-bit Data	24 DIP
74151A	156-0075-XX	Selector, 8-bit Data with Strobe	14 DIP
74151J	156-0563-XX	Selector, 8-bit Data with Strobe	14 DIP
74153	156-0098-XX	Selector/Multiplexer, Dual 4-to-1 Data	16 DIP
74154	156-0078-XX	Decoder/Demultiplexer, 1-of-16 Line	24 DIP
74154J	156-0564-XX	Decoder/Demultiplexer, 1-of-16 Line	24 DIP
74155	156-0110-XX	Decoder/Demultiplexer, Dual, 2-to-4 Line	16 DIP
74156	156-0141-XX	Decoder/Demultiplexer, Dual, 2-to-4 Line	16 DIP
74157	156-0125-XX	Multiplexer, Quad, 2-input (FSC9322)	16 DIP
74159	156-0929-XX	Decoder/Demultiplexer, 4-to-16 Line	24 DIP
74161	156-0117-XX	Counter, 4-bit Binary Sync	16 DIP
74163	156-0248-XX	Counter, 4-bit Binary Sync	16 DIP
74164	156-0131-XX	Shift Register, 8-bit, Serial-in, Parallel-out	14 DIP
74165	156-0146-XX	Shift Register, 8-bit, Parallel-in, Serial-out	16 DIP
74166	156-0301-XX	Shift Register, 8-bit, Parallel-in, Serial-out	16 DIP
74174	156-0222-XX	Flip-flop, Hex, D-type w/Clear	16 DIP
74175	156-0221-XX	Latch, Quad, D-type w/Clear	16 DIP
74177	156-0536-XX	Counter/Latch, Preset Binary	14 DIP
74180	156-0088-XX	Generator/Checker, 8-bit Parity	14 DIP
74181	156-0351-XX	Logic Unit, Arithmetic	24 DIP
74184	156-0315-XX	Converter, BCD-to-binary Code	16 DIP
74185	156-0345-XX	Converter, Binary-to-BCD	16 DIP
74190	156-0340-XX	Counter, Sync BCD Up/Down	16 DIP
74191	156-0175-XX	Counter, Sync Up/Down, 4-Bit	16 DIP
74192	156-0127-XX	Counter, Sync Up/Down BCD	16 DIP
74193	156-0089-XX	Counter, Sync Up/Down, 4-bit	16 DIP
74193J	156-0565-XX	Counter, Sync Up/Down, 4-bit	16 DIP
74194	156-0697-XX	Shift Register, 4-bit	16 DIP
74195	156-0367-XX	Shift Register, 4-bit Parallel Access	16 DIP
74196	156-0097-XX	Counter, Presettable Decade	14 DIP
74197	156-0142-XX	Counter/Latch, Presettable Binary	14 DIP
74197J	156-0596-XX	Counter/Latch, Presettable Binary	14 DIP
74221	156-0706-XX	Multivibrator, Dual Monostable w/Schmitt Trigger	16 DIP
74251	156-0397-XX	Selector, 8-bit Data, w/3-state Output	16 DIP
74265	156-0696-XX	Gate, Quad, Complimentary Out AND/NAND	16 DIP
74273	156-1708-XX	Flip-Flop, Octal D-type	20 DIP
74276	156-1981-XX	Flip-Flop, Quad, J-K	20 DIP
74278	156-2070-XX	Register, 4-bit Cascadable Priority	14 DIP
74279	156-0508-XX	Latch, Quad, R - S	16 DIP
74298	156-0373-XX	Multiplexer, Quad, 2-input with Store	16 DIP
74365N	156-1187-XX	Driver, Hex, Bus w/3-state Output	16 DIP
74390	156-0626-XX	Counter, Dual, Decade	16 DIP
74393	156-0617-XX	Counter, Dual, 4-bit	14 DIP
74PL839	156-2505-XX	Logic Array, Field Programmable	24 DIP
75107A	156-0177-XX	Receiver, Dual Line	16 DIP
75110	156-1523-XX	Driver, Dual Line	14 DIP
75150	156-0139-XX	Driver, Dual Line	8 DIP
75152	156-0934-XX	Receiver, Dual Line	16 DIP
75154	156-0138-XX	Receiver, Line	16 DIP
75160	156-1414-XX	Transceiver, Octal, Bus Data	20 DIP

^a For listing by function, see Sections 1, 2 and 6.

TTL FAMILY NUMBER LISTING^a

STANDARD (cont)

Vendor Number	Part Number	Description	Case Style
75161	156-1415-XX	Octal Transceiver Management Bus	20 DIP
75176A	156-2037-XX	Transceiver, Differential Bus	8 DIP
75183	156-0181-XX	Driver, Dual Line	16 DIP
75325	156-0206-XX	Driver	16 DIP
75402	156-1587-XX	Driver, Dual Peripheral NAND	14 DIP
75451	156-0094-XX	Driver, Dual, 2-input NAND	8 DIP
75452	156-0302-XX	Driver, Dual, 2-input NAND	8 DIP
75453	156-0341-XX	Driver, Dual, 2-input OR	8 DIP
75454	156-0313-XX	Driver, Dual, 2-input NOR	8 DIP
75471	156-1925-XX	Driver, Dual Peripheral Positive AND	
75472	156-1926-XX	Driver, Dual Peripheral Positive NAND	8 DIP
7543	156-0440-XX	Driver, Dual Peripheral Positive OR	8 DIP
75494	156-0888-XX	Driver, Hex Digit	16 DIP

^a For listing by function, see Sections 1, 2 and 6.

TTL FAMILY NUMBER LISTING^a

SCHOTTKY

Vendor Number	Part Number	Description	Case Style
8T26	156-0996-XX	Driver/Receiver, Quad Bus	16 DIP
8T95	156-1018-XX	Buffer, Hex, Common Disable	16 DIP
8T97	156-0998-XX	Buffer, Hex, Separable Disable	16 DIP
8T98	156-0999-XX	Buffer/Inverter, Hex, w/3-state Output	16 DIP
1662	156-2297-XX	Transceiver, Bus, Quad, High Speed Tripezoidal	DIE
18S42	156-1372-XX	Field Programmable XROM, 512 x 8	20 DIP
25S08	156-1049-XX	Shift Register, Quad, Parallel w/Reg Enable	16 DIP
25S18	156-1062-XX	Latch, Quad, Dual with STD and 3-state Output	16 DIP
26S02	156-1195-XX	Multivibrator, Dual, Retrigger/Reset Monostable	16 DIP
26S10	156-1747-XX	Transceiver, Quad Bus	16 DIP
26S12	156-0483-XX	Transceiver, Quad Bus	16 DIP
2681	156-1737-XX	Dual Asynchronous Receiver/Transmitter	40 DIP
26S86	156-1438-XX	Field Programmable XROM, 1024 x 8	24 DIP
27S03	156-1633-XX	SRAM, 16 x 4	16 DIP
27S18	156-0305-XX	Field Programmable XROM, 32 x 8	16 DIP
27S19	156-1814-XX	Field Programmable XROM, 32 x 8	16 DIP
27S29	156-1462-XX	Field Programmable XROM, 512 x 8	20 DIP
27S29	156-2224-XX	Field Programmable XROM, 512 x 8	20 DIP
27S33	156-2225-XX	Field Programmable XROM, 1024 x 4	18 DIP
27S35	156-2226-XX	Field Programmable XROM, 1024 x 8	24 DIP
27S40	156-2150-XX	Field Programmable XROM, 1024 x 8	24 DIP
27S40	156-2149-00	Field Programmable XROM, 4096 x 4	20 DIP
27S43	156-2479-XX	Field Programmable XROM, 4096 x 8	24 DIP
27S49	156-2904-XX	Field Programmable XROM, 8192 x 8	24 DIP
27S85	156-2994-XX	Field Programmable XROM, 4096 x 4	24 DIP
28S86	156-1438-XX	Field Programmable XROM, 1024 x 8	24 DIP
2952	156-1839-XX	Octal Bidirect I/O Port	24 DIP
2952	156-1952-XX	Octal Bidirect I/O Port w/3-state Out	24 DIP
3242	156-0965-XX	Address Mux, Refresh Counter	28 DIP
74S00	156-0180-XX	Gate, Quad, 2-input NAND	14 DIP
74L02	156-0268-XX	Gate, Quad, 2-input NOR	14 DIP
74S02	156-0690-XX	Gate, Quad, 2-input	14 DIP
74S03	156-0303-XX	Gate, Quad, 2-input NAND	14 DIP
74S04	156-0323-XX	Inverter, Hex	14 DIP
74S05	156-0403-XX	Inverter, Hex	14 DIP
74S08J	156-0459-XX	Gate, Quad, 2-input AND	14 DIP
74S09	156-1286-XX	Gate, Quad, 2-input AND with Open Collector Output	14 DIP
74S10	156-0321-XX	Gate, Triple, 2-input NAND	14 DIP
74S11	156-0320-XX	Gate, Triple, 3-input AND	14 DIP
74S15	156-1680-XX	Gate, Triple, 3-input AND with Open Collector Output	14 DIP
74S20	156-0304-XX	Gate, Dual, 4-input NAND	14 DIP
74S22	156-0404-XX	Gate, Dual, 4-input NAND	14 DIP
74S30	156-0418-XX	Gate, 8-input NAND	14 DIP
74S32	156-0739-XX	Gate, Quad, 2-input	14 DIP
74S37	156-1216-XX	Buffer, Quad, 2-input NAND	14 DIP
74S38	156-1393-XX	Buffer, Quad, 2-input NAND	14 DIP
74S51	156-1040-XX	Gate, Dual, 2-wide, 2-input AND/OR Inverter	14 DIP
74S64	156-0703-XX	Gate, 4-2-3-2 Input AND/OR	14 DIP
74S65	156-1285-XX	Gate, AND/OR Inverter 4-2-3-2 with Open Collector Output	14 DIP
74S74	156-0331-XX	Flip-flop, Dual, Differential	14 DIP
74S85	156-1041-XX	Comparator, 4-bit Magnitude	16 DIP
74S86	156-0707-XX	Gate, Quad, 2-input EX/OR	14 DIP
8224	156-0945-XX	Clock Generator/Driver	16 DIP
86S64	156-2517-XX	Field Programmable XROM, 64 x 64	16 DIP
Z8103	156-1597-XX	Transceiver, Octal Bus	20 DIP
82S09	156-1171-XX	SRAM, 64 x 9	28 DIP
86S64	156-2517-XX	Field Programmable XROM, 64 x 64	16 DIP
82S41	156-0322-XX	Quad, 2-input	14 DIP
82S62	156-1084-XX	Generator/Checker, 8-bit Parity	14 DIP
82S70	156-1328-XX	Register, 4-bit	14 DIP

^a For listing by function, see Sections 1, 2 and 6.

TTL FAMILY NUMBER LISTING^a

SCHOTTKY (cont)

Vendor Number	Part Number	Description	Case Style
82S90	156-0482-XX	Counter, Presettable Decade	14 DIP
8TS805	156-1980-XX	Latch, Transparent, Octal	20 DIP
8TS806	156-1979-XX	Register, Positive & Edge Triggered	20 DIP
93S10	156-1394-XX	Counter, Sync 4-bit Binary	16 DIP
93S47	156-1063-XX	Comparator, 6-bit	16 DIP
9406	156-1399-XX	Program Stack, 16 x 4 Bit	24 DIP
96S02	156-1645-XX	Multivibrator, Dual, Monostable	16 DIP
27S181	156-1608-XX	Field Programmable XROM, 1024 x 8	24 DIP
27S191	156-1675-XX	Field Programmable XROM, 2048 x 8	24 DIP
27S191	156-1687-XX	Field Programmable XROM, 2048 x 8	24 DIP
27S291	156-1672-XX	Field Programmable XROM, 2048 x 8	24 DIP
29818	156-2072-XX	Register, Pipeline	24 DIP
29821	156-1702-XX	Shift Register, 10-bit w/3-state Output	24 DIP
29823	156-1963-XX	Register, Non-inverting	24 DIP
29824	156-1736-XX	Register, High Performance Bus Interface	24 DIP
29825	156-2079-XX	Register, 8-bit	24 DIP
29827	156-1840-XX	Buffer, 10-bit Bus	24 DIP
29833	156-2077-XX	Transceiver, Parity	24 DIP
29841	156-1855-XX	Latch, Bus Interface	24 DIP
29864	156-2040-XX	Transceiver, 9-bit	24 DIP
63S141	156-1628-XX	Field Programmable XROM, 256 x 4	16 DIP
63S241	156-0859-XX	Field Programmable XROM, 512 x 4	16 DIP
63S281	156-2803-XX	Field Programmable XROM, 256 x 8	20 DIP
63S281	156-2865-XX	Field Programmable XROM, 256 x 8	20 DIP
63S481	156-1392-XX	Field Programmable XROM, 512 x 8	20 DIP
63S841	156-2636-XX	Field Programmable XROM, 2048 x 4	18 DIP
74S109	156-1061-XX	Flip-flop, Dual, J-K with Preset	16 DIP
74S112	156-0118-XX	Flip-flop, Dual, J-K	16 DIP
74S113	156-1629-XX	Flip-flop, Dual, J-K with Preset	14 DIP
74S124	156-1584-XX	Oscillator Voltage Control, Dual	16 DIP
74S132	156-0413-XX	Gate, Quad, 2-input Schmitt Trigger	14 DIP
74S133	156-0472-XX	Gate, Triple, 13-input NAND	16 DIP
74S134	156-1573-XX	Gate, Triple, 12-input NAND	16 DIP
74S138	156-0694-XX	Decoder/Demultiplexer	16 DIP
74S138	156-2945-XX	Decoder/Demultiplexer, 3-to-8 Line	16 DIP
74S139	156-0693-XX	Decoder/Demultiplexer	16 DIP
74S140	156-0419-XX	Driver, 4-input NAND 500 Line	14 DIP
74S151	156-0324-XX	Selector/Multiplexer, 8-input Data	16 DIP
74S153	156-0325-XX	Selector/Multiplexer, Dual, 4-to-1 Line	16 DIP
74S157	156-1064-XX	Multiplexer, Quad, 2-to-1 Line	16 DIP
74S158	156-1351-XX	Selector/Multiplexer, Quad, 2-to-1 Line Data w/Inverter Output	16 DIP
74S161	156-1044-XX	Counter, Binary, 4-bit Sync	16 DIP
74S163	156-1198-XX	Counter, 4-bit Sync	16 DIP
74S169	156-0765-XX	Counter, Sync Up/Down Binary	16 DIP
74S174	156-0738-XX	Flip-flop, Quad/Hex with Clear	16 DIP
74S175	156-0948-XX	Flip-flop, Quad/Hex with Clear	16 DIP
74S181	156-0691-XX	ALU/Function Generator	20 DIP
74S181	156-1196-XX	ALU/Function Generator	24 DIP
74S182	156-0692-XX	Generator, Look Ahead Carry	16 DIP
74S182	156-1048-XX	Generator, Look Ahead Carry	16 DIP
74S189	156-1189-XX	SRAM, 64-bit	16 DIP
74S194	156-0744-XX	Register, 4-bit Bi-Directional Universal Shift	16 DIP
74S195	156-0326-XX	Register, 4-bit Parity I/O Shift	16 DIP
74S196	156-0883-XX	Counter, Preset Decade & Binary	14 DIP
74S197	156-1183-XX	Counter, Latch, Presettable Binary	14 DIP
74S225	156-1524-00	FIFO, 16 x 5	20 DIP
74S250	156-1058-XX	Buffer, Octal, w/3-state Output	20 DIP
74S241	156-1179-XX	Buffer, Octal, w/3-state Output	20 DIP
74S251	156-0701-XX	Data Selector, 1 of 8	16 DIP
74S257	156-0522-XX	Multiplexer, Quad, 2-input w/3-state Output	16 DIP

^a For listing by function, see Sections 1, 2 and 6.

TTL FAMILY NUMBER LISTING^a

SCHOTTKY (cont)

Vendor Number	Part Number	Description	Case Style
74S258	156-1547-XX	Selector/Multiplexer, Quad, 2-to-1 Line	16 DIP
74S260	156-0966-XX	Gate, Dual, 5-input NOR	14 DIP
74S280	156-1014-XX	Generator/Checker	14 DIP
74S283	156-1292-XX	Adder, 4-bit Binary	16 DIP
74S287	156-1452-XX	Field Programmable XROM, 256 x 4	16 DIP
74S288	156-1151-XX	Field Programmable XROM, 32 x 8	16 DIP
74S299	156-1197-XX	Register, 8-bit Universal Shift/Store	20 DIP
74S373	156-1250-XX	Latch, Octal, D-type	20 DIP
74F374	156-1704-XX	Flip-flop, Octal, D-type w/3-state Output	20 DIP
74S374	156-1046-XX	Flip-flop, Octal, D-type w/Enable	20 DIP
74S381	156-0691-XX	ALU/Function Generator	20 DIP
74S381	156-2975-XX	ALU	20 DIP
74S399	156-1634-XX	Register, 4-bit Quad	16 DIP
82S100	156-1269-XX	FPLA, 16 x 48 x 8 w/Open Collector Output	28 DIP
82S105	156-2068-XX	Logic Array, Bi-polar Sequencer, Programmable	28 DIP
82S105	156-1968-XX	Logic Sequencer, 16 x 48 x 8 Field Programmable	
82S105A	156-2068-XX	Sequencer, Bipolar Field Programmable	28 DIP
82S107	156-1254-XX	FPLA w/3-state Output	28 DIP
82S129	156-1343-XX	Field Programmable XROM, 256 x 4	16 DIP
82S129A	156-2734-XX	Field Programmable XROM, 256 x 4	16 DIP
82S147	156-2213-XX	Field Programmable XROM, 512 x 8	20 DIP
82S151	156-2058-XX	Logic Array, Field Programmable	20 DIP
82S151	156-2058-XX	Gate Array, Field Programmable	20 DIP
82S153	156-1916-XX	Logic Array, Programmable	20 DIP
82S181	156-0976-XX	Field Programmable XROM, 1024 x 8	24 DIP
82S185	156-1182-XX	Field Programmable XROM, 2048 x 4	18 DIP
82S191	156-1354-XX	Field Programmable XROM, 2048 x 8	24 DIP
83S131	156-2432-XX	Field Programmable XROM, 512 x 4	16 DIP

^a For listing by function, see Sections 1, 2 and 6.

TTL FAMILY NUMBER LISTING^a

LOW POWER SCHOTTKY

Vendor Number	Part Number	Description	Case Style
25L04	156-1792-XX	Register, 8-bit Successive Approximation	24 DIP
25LS14	156-1866-XX	Multiplier, 8-bit Serial/Parallel Two Complement	16 DIP
26LS30	156-1316-XX	Driver, Quad, 3-state, Angle End	16 DIP
26LS31	156-1681-XX	Driver, Quad, Differential	16 DIP
26LS32	156-1315-XX	Receiver, Quad, Differential	16 DIP
27LS00	156-1357-XX	SRAM, 256 x 1	16 DIP
27LS03	156-0599-XX	SRAM, 16 x 14	16 DIP
27LS19	156-2631-XX	Field Programmable XROM, 32 x 8	16 DIP
2901	156-1043-XX	4-bit Microprocessor Slice	40 DIP
AM2908	156-1618-XX	Transceiver, Quad Bus w/Interface Logic	20 DIP
2909DC	156-1029-XX	Address Controller, 4-bit	28 DIP
2966	156-1740-XX	Driver, Octal, Dynamic Memory w/3-state Output	20 DIP
74LS00	156-0382-XX	Gate, Quad, 2-input NAND	14 DIP
74LS02	156-0383-XX	Gate, Quad, 2-input NOR	14 DIP
74LS03	156-0384-XX	Gate, Quad, 2-input NAND	14 DIP
74L04	156-0292-XX	Inverter, Hex	14 DIP
74LS04	156-0385-XX	Inverter, Hex	14 DIP
74LS05	156-0724-XX	Inverter, Hex, w/Open Collector Output	14 DIP
74LS08	156-0480-XX	Gate, Quad, 2-input AND	14 DIP
74LS09	156-0728-XX	Gate, Quad, 2-input AND w/Open Collector Output	14 DIP
74LS10	156-0386-XX	Gate, Triple, 3-input NAND	14 DIP
74LS11	156-0481-XX	Gate, Triple, 3-input AND	14 DIP
74LS12	156-0722-XX	Gate, Triple, 3-input NAND w/Open Collector Output	14 DIP
74LS13	156-1276-XX	Gate, Dual, 4-input NAND, Schmitt Trigger	14 DIP
74LS14	156-0645-XX	Inverter Hex, NAND, Schmitt Trigger	14 DIP
74LS14	156-1363-XX	Interter, Hex, Schmitt Trigger	DIE
74LS15	156-1267-XX	Gate, Triple, 3-input NAND w/Open Collector Output	14 DIP
74L20	156-0160-XX	Gate, Dual, 4-input Positive NAND	14 DIP
74LS20	156-0464-XX	Gate, Dual, 4-input NAND	14 DIP
74LS21	156-0478-XX	Gate, Dual, 4-input AND	14 DIP
74LS22	156-0538-XX	Gate, Dual, 4-input NAND w/Open Collector Output	14 DIP
74LS26	156-0970-XX	Buffer, Quad, 2-input NAND	14 DIP
74LS27	156-0718-XX	Gate, Triple, 3-input NOR	14 DIP
74LS28	156-1930-XX	Quad, 2-input NOR	14 DIP
74L30	156-0267-XX	Gate, 8-input NAND	14 DIP
74LS30	156-0465-XX	Gate, 8-input NAND	14 DIP
74LS31	156-2090-XX	Gate, Delay Element	16 DIP
74LS32	156-0479-XX	Gate, Quad, 2-input OR	14 DIP
74LS33	156-0730-XX	Buffer, Quad, 2-input NOR w/Open Collector Output	14 DIP
74LS37	156-0466-XX	Buffer, Quad, 2-input NAND	14 DIP
74LS38	156-0467-XX	Buffer, Quad, 2-input NAND w/Open Collector Output	14 DIP
74LS42	156-0736-XX	Decoder, DCD-to-decimal	16 DIP
74LS47	156-1243-XX	Decoder/Driver, BCD-to-7 Segment	16 DIP
74LS51	156-0875-XX	Gate, Dual, 2-wide, 2-input AOI	14 DIP
74LS54	156-0452-XX	Gate, 40wide, 2 & 3-input AOI	14 DIP
74L72	156-0280-XX	Flip-flop, Gated J-K w/Clear & Preset	14 DIP
74LS73	156-0387-XX	Flip-flop, Dual, J-K	14 DIP
74LS74	156-0388-XX	Flip-flop, Dual, D-type	14 DIP
74LS75	156-0735-XX	Latch, 4-bit Bi-stable	16 DIP
74LS76	156-0731-XX	Flip-flop, Dual, J-K Master/Slave with Clear	16 DIP
74LS83	156-0468-XX	Adder, 4-bit Binary Full	16 DIP
74LS85	156-0953-XX	Comparator, 4-bit Magnitude	16 DIP
74LS86	156-0381-XX	Gate, Quad, 2-input EX/OR	14 DIP
74LS90	156-0656-XX	Counter, Decade	14 DIP
74LS92	156-1108-XX	Counter, Divided by 12	14 DIP
74LS93	156-0646-XX	Counter, 4-bit Binary	14 DIP
74LS95	156-0389-XX	Register, 4-bit Right-shift, Left-shift	16 DIP
74LS96	156-1275-XX	Register, 5-bit Shift	16 DIP
80L98	156-0729-XX	Buffer, 3-state Inverting Hex	16 DIP
81LS95	156-1277-XX	Buffer, Octal, w/3-state Output	20 DIP

^a For listing by function, see Sections 1, 2 and 6.

TTL FAMILY NUMBER LISTING^a

LOW POWER SCHOTTKY (cont)

Vendor Number	Part Number	Description	Case Style
81LS97	156-0916-XX	Buffer, Octal, 2-input, w/3-state Output	20 DIP
81LS98	156-1479-XX	Buffer, Octal, Inverter, w/3-state Output	20 DIP
86LS62	156-1251-XX	Register, Dual, Rand, 8-bit w/3-state Output	18 DIP
93L08	156-0220-XX	Latch, Dual, 4-bit	24 DIP
93L14	156-0327-XX	Latch, Quad	16 DIP
93L28	156-0310-XX	Shift Register, Dual, 8-bit	16 DIP
93L34	156-0544-XX	Latch, 8-bit Addressable	16 DIP
93L28	156-0310-XX	Shift Register, Dual, 8-bit	16 DIP
96L02	156-0487-XX	Multivibrator, Dual, Retriggerable Monostable	16 DIP
96LS02	156-1335-XX	Multivibrator, Dual, Retriggerable, Presetable	16 DIP
9904-40	156-0993-XX	Clock/Generator/Driver, 4-phase	20 DIP
74LS107	156-2118-XX	Flip-flop, Dual, J-K to Clear Negative Edge	14 DIP
74LS109	156-1059-XX	Flip-flop, Dual, J-K w/Preset, Clear	16 DIP
74LS112	156-1258-XX	Flip-flop, Dual, J-K Negative Edge Triggered	16 DIP
74LS113	156-0567-XX	Flip-flop, Dual, J-K Negative Edge Triggered	16 DIP
74LS122	156-1199-XX	Multivibrator, Retriggered Monostable	14 DIP
74LS123	156-1600-XX	Multivibrator, Dual, Retriggered	16 DIP
74LS124	156-0861-XX	Oscillator, Dual, Voltage Controller	16 DIP
74LS125	156-1373-XX	Buffer, Quad, Bus	14 DIP
74LS126	156-1619-XX	Buffer, Quad, Bus w/3-state Output	14 DIP
74LS132	156-0721-XX	Gate, Quad, 2-input NAND, Schmitt Trigger	14 DIP
74LS133	156-0866-XX	Gate, 13-input NAND	16 DIP
74LS136	156-0990-XX	Gate, Quad, 2-input EX/OR w/Open Collector Output	14 DIP
74LS137	156-1900-XX	Decoder, 3-to-8 Line w/Latched Input	16 DIP
74LS138	156-0469-XX	Decoder, 3-to-8 Line	16 DIP
74LS139	156-0541-XX	Decoder/Demultiplexer, Dual, 2-to-4 Line	16 DIP
74LS140	156-0419-XX	Line Driver, Dual, 4-input NAND	16 DIP
74LS145	156-1235-XX	Transceiver/Decoder/Driver, BCD-to-7 Segment	16 DIP
74SL147	156-1177-XX	Encoder, 10-to-4 Line Priority	16 DIP
74LS148	156-1252-XX	Encoder, 8-to-3 Line	16 DIP
74LS151	156-0994-XX	Selector/Multiplexer, 8-input w/Enable	16 DIP
74LS153	156-0798-XX	Selector/Multiplexer, Dual, 4-to-1 Line	16 DIP
74LS154	156-1026-XX	Decoder/Demultiplexer, 4-to-16 Line	24 DIP
74LS155	156-0390-XX	Decoder/Demultiplexer, Dual, 4-to-2 Line	16 DIP
74LS156	156-1432-XX	Decoder, Dual, 2-to-4 Line	16 DIP
74LS157	156-0530-XX	Multiplexer, Quad, 2-input	16 DIP
74LS158	156-1395-XX	Selector/Multiplexer, Quad, 2-to-1 Line	16 DIP
74LS161	156-0844-XX	Counter, 4-bit Binary Sync	16 DIP
74LS162	156-0788-XX	Counter, 4-bit Sync with Clear	16 DIP
74LS163	156-0784-XX	Counter, 4-bit Binary Sync	16 DIP
74LS164	156-0651-XX	Shift Register, 8-bit Parallel-Output Series	14 DIP
74LS165	156-0789-XX	Shift Register, 8-bit Parallel Load	26 DIP
74LS166	156-1313-XX	Register, 8-bit Parallel Input, Serial Output	16 DIP
74LS168	156-1371-XX	Counter, Sync Up/Down Decade	16 DIP
74LS169	156-0957-XX	Counter, Sync Up/Down Binary	16 DIP
74LS170	156-0732-XX	Register, 4 x 4 File w/Open Collector Output	16 DIP
74LS173	156-0951-XX	Register, 4-bit D-type, w/3-state Output	16 DIP
74LS174	156-0391-XX	Latch, Hex, w/Clear	16 DIP
74LS175	156-0392-XX	Latch, Quad, w/Clear	16 DIP
74LS181	156-1376-XX	ALU	24 DIP
74LS189	156-0599-XX	SRAM, 64-bit	16 DIP
74LS190	156-0569-XX	Counter, BCD	16 DIP
74LS191	156-0422-XX	Counter, Up/Down Sync Binary	16 DIP
74LS192	156-0526-XX	Counter, 4-bit Up/Down, Dual Clock	26 DIP
74LS193	156-0412-XX	Counter, 4-bit Up/Down Sync	16 DIP
74LS194	156-0768-XX	Register, Bi-Direct Universal Shift	16 DIP
74LS195	156-0376-XX	Shift Register, 4-bit Parallel-input/Output	16 DIP
74LS196	156-0727-XX	Counter/Latch, Preset Decade or Binary	14 DIP
74LS197	156-0629-XX	Counter, Preset Binary	14 DIP
74LS221	156-0733-XX	Multivibrator, Dual, Monostable, Schmitt Trigger	16 DIP
74LS224	156-1867-XX	FIFO, 16 x 4	16 DIP

^a For listing by function, see Sections 1, 2 and 6.

TTL FAMILY NUMBER LISTING^a

LOW POWER SCHOTTKY (cont)

Vendor Number	Part Number	Description	Case Style
74LS240	156-0914-XX	Inverter/Buffer, Octal, w/3-state Output	20 DIP
74LS241	156-0955-XX	Buffer, Octal, w/3-state Output	20 DIP
74LS242	156-1025-XX	Transceiver, Quad, Bus	14 DIP
74LS243	156-0928-XX	Transceiver, Quad, Bus	14 DIP
74LS244	156-0956-XX	Buffer, Octal, w/3-state Output	20 DIP
74LS245	156-1111-XX	Transceiver, Octal, Bus	20 DIP
74LS251	156-0470-XX	Data Selector, 8-input w/3-state Output	16 DIP
74LS253	156-0471-XX	Selector, Dual, 4-to-1 Line w/3-state Output	16 DIP
74LS257	156-0529-XX	Multiplexer, Quad, 2-input w/3-state Output	16 DIP
74LS258	156-1229-XX	Multiplexer, Quad, 2-to-1 Line, w/3-state Output	16 DIP
74LS259	156-0874-XX	Latch, 8-bit Addressable	16 DIP
74LS260	156-0985-XX	Gate, Dual, 5-input NOR	14 DIP
74LS266	156-0652-XX	Gate, Quad, 2-input EX/NOR w/Open Collector Output	14 DIP
74LS273	156-0865-XX	Flip-flop, Octal, D-type with Clear	20 DIP
74LS279	156-0804-XX	Latch, Quad, Shift Register	16 DIP
74LS280	156-0915-XX	Generator/Checker, 9-bit Odd/Even Parity	14 DIP
74LS283	156-0679-XX	Adder, 4-bit Binary	16 DIP
74LS290	156-1222-XX	Decade Counter	14 DIP
74LS295	156-0734-XX	Register, 4-bit Right-shift, Left-shift w/3-state Output	14 DIP
74LS298	156-1045-XX	Multiplexer, Quad, 2-input w/Storage	16 DIP
74LS299	156-0975-XX	Register, 8-bit Universal Shift/Storage	20 DIP
74LS321	156-1901-XX	Oscillator, Crystal Controlled	16 DIP
74LS322	156-1481-XX	Register, 8-bit with Sign Extended	20 DIP
74LS348	156-1176-XX	Encoder, 3-to-3 Line Priority w/3-state Output	16 DIP
74LS348	156-2771-XX	Encoder, Priority	
74LS352	156-1521-XX	Selector/Multiplexer, Dual 4-to-1 Line	16 DIP
74LS354	156-2552-XX	Data Selector/Multiplexer/Register, 8-to-1 Line	20 DIP
74LS356	156-2081-XX	Data Selector/Register, 1 of 8	20 DIP
74LS362	156-0993-XX	Clock/Generator/Driver, 4-Phase	20 DIP
74LS365	156-1220-XX	Driver, Hex, Bus, w/3-state Output	16 DIP
74LS366	156-0702-XX	Inverter/Buffer, Hex, w/3-state Output	16 DIP
74LS367	156-0852-XX	Driver, Hex, with 3-state Input	16 DIP
74LS368	156-0720-XX	Driver, Hex, 4-to-2 Line Enable w/3-state Output	16 DIP
74LS373	156-1065-XX	Latch, Octal, D-type	20 DIP
74LS374	156-0982-XX	Flip-flop, Octal, D-type w/Enable	20 DIP
74LS375	156-1318-XX	Latch, 4-bit Bi-stable	16 DIP
74LS377	156-0913-XX	Flip-flop, Octal, D-type w/Enable	20 DIP
74LS378	156-1221-XX	Gate, Hex, D-type w/Enable	16 DIP
74LS379	156-1326-XX	Flip-flop, Quad, D-type w/Enable	16 DIP
74LS382	156-1865-XX	ALU/Function Generator	20 DIP
74LS390	156-0910-XX	Counter, Dual, Decade	16 DIP
74LS393	156-1172-XX	Counter, Dual, 4-bit Binary	14 DIP
74LS399	156-1388-XX	Multiplexer, Quad, 2-input w/Storage	16 DIP
74LS423	156-2023-XX	Multivibrator, Dual, Monostable Retriggerable	16 DIP
74LS450	156-1761-XX	Multiplexer 16:1	24 DIP
74LS461	156-1732-XX	Counter, Octal, w/3-state Output	24 DIP
74LS465	156-2544-XX	Buffer, Octal, 2-input NAND w/Enable	20 DIP
74LS488	156-1666-XX	Bus Management Circuit	48 DIP
74LS490	156-1448-XX	Counter, Dual, 4-bit Decade	16 DIP
74LS491	156-2042-XX	Counter, 10-bit Up/Down	24 DIP
74LS540	156-2852-XX	Buffer/Line Driver, Octal	20 DIP
74LS541	156-0438-XX	Buffer/Line Driver, Octal, w/3-state Output	20 DIP
74LS590	156-2331-XX	Counter, 4-bit Binary w/Registers & 3-state Output	16 DIP
74LS592	156-2456-XX	Counter, 8-bit w/Parallel Inputs	16 DIP
74LS593	156-0437-XX	Counter, 8-bit Binary w/Input Register	20 DIP
74LS595	156-1917-XX	Shift Register/Output Latch, 8-bit	16 DIP
74LS597	156-2141-XX	Latch/Shift Register, 8-bit	16 DIP
74LS606	156-1914-XX	Latch, Multiplexed 2-input	28 DIP

^a For listing by function, see Sections 1, 2 and 6.

TTL FAMILY NUMBER LISTING^a

LOW POWER SCHOTTKY (cont)

Vendor Number	Part Number	Description	Case Style
74LS623	156-1861-XX	Transceiver, 3-state Octal Bus	20 DIP
74LS629	156-0861-XX	VCO, Dual	16 DIP
74LS640-1	156-1912-XX	Transceiver, Octal, Bus	20 DIP
74LS644-1	156-2206-XX	Transceiver, Octal, Bus	20 DIP
74LS646	156-1661-XX	Transceiver, Octal, Bus	24 DIP
74LS648	156-2020-XX	Transceiver & Register, Octal, Bus	
74LS652	156-2044-XX	Transceiver, Octal, Bus	24 DIP
74LS670	156-0989-XX	Register, 4 x 4 File	20 DIP
74LS677	156-2233-XX	Comparator, Address	24 DIP
74LS682	156-2168-XX	Magnitude Comparator, 8-bit	20 DIP
74LS684	156-2336-XX	Magnitude Comparator, 8-bit	20 DIP
74LS686	156-2543-XX	Magnitude Comparator, 8-bit	24 DIP
74LS687	156-1913-XX	Magnitude Comparator, 8-bit	24 DIP
74LS765	156-2545-XX	Dynamic RAM (DRAM) Controller	40 DIP
74LS783	156-2431-XX	Latch, Dual, 4-bit, D-type w/3-state Output	24 DIP
74LS794	156-2341-XX	Latch/Register, 8-bit w/Feedback	20 DIP
75166	156-1459-XX	Bus Management Circuit w/3-state Output	22 DIP
82LS181	156-1526-XX	Field Programmable XROM, 1024 x 8	24 DIP
93L422	156-1223-XX	SRAM, 64 x 9	22 DIP
93L422	156-1293-XX	SRAM, 64 x 9	22 DIP
93L422	156-1360-XX	SRAM, 64 x 9	22 DIP
96LS488	156-1666-XX	Bus Management Circuit	48 DIP
25LS2519	156-1868-XX	Register, Quad, w/2 Independent Controlled	20 DIP
25LS2520	156-1729-XX	Flip-flop, Octal, D-type w/Clear	22 DIP
25LS2521	156-1273-XX	Comparator, 8-bit to Equal	20 DIP
25LS2537	156-1870-XX	Decoder, 1-of-10 w/3-state Output & Polarity	20 DIP
25LS2538	156-1546-XX	Decoder, 1-of-8 with 3-state Output	20 DIP
25LS2539	156-2164-XX	Decoder, 1-of-4 w/3-state Output & Polarity	20 DIP
25LS2569	156-1375-XX	Counter, 4-bit Up/Down	20 DIP
19-14038	156-1605-XX	DMA Controller, LSTTL	20 DIP

^a For listing by function, see Sections 1, 2 and 6.

TTL FAMILY NUMBER LISTING^a

ADVANCED SCHOTTKY

Vendor Number	Part Number	Description	Case Style
54F04	156-1616-XX	Inverter, Hex (DIE only)	14 DIP
74AS00	156-2319-XX	Gate, Quad, 2-input Positive NAND	14 DIP
74AS00	156-2484-XX	Gate, 2-input Positive NAND	14 DIP
74F00	156-1707-XX	Gate, Quad, 2-input NAND	14 DIP
74F02	156-1743-XX	Gate, Quad, 2-input NOR	14 DIP
74AS02	156-2327-XX	Gate, Quad, 2-input Positive NOR	14 DIP
74AS02	156-2343-XX	Gate, Quad, 2-input Positive NOR	14 DIP
74F04	156-1722-XX	Inverter, Hex	14 DIP
74AS04	156-2323-XX	Interter, Hex	14 DIP
74F08	156-1723-XX	Gate, Quad, 2-input AND	14 DIP
74AS08	156-2321-XX	Gate, Quad, 2-input Positive AND	14 DIP
74AS10	156-2496-XX	Gate, Triple, 3-input Positive NAND	14 DIP
74F10	156-1752-XX	Gate, Triple, 3-input NAND	14 DIP
74AS11N	156-2968-XX	Gate, Triple, 3-input Positive NAND	14 DIP
74F11	156-1663-XX	Gate, Triple, 3-input	14 DIP
74F14N	156-2608-XX	Inverter, Hex, w/Schmitt Trigger	14 DIP
74AS20	156-2340-XX	Gate, Dual, 4-input Positive NAND	14 DIP
74F20	156-1957-XX	Gate, Dual, 4-input NAND	14 DIP
74AS21	156-2676-XX	Gate, Dual, 4-input Positive NAND	14 DIP
74AS27	156-2324-XX	Gate, Triple, 3-input Positive NOR	14 DIP
74AS30	156-2629-XX	Gate, 8-input Positive NAND	14 DIP
74AS32	156-2339-XX	Gate, Quad, 2-input Positive OR	14 DIP
74F32	156-1724-XX	Gate, Quad, 2-input OR	14 DIP
74F38	156-2540-XX	Buffer, Quad, 2-input	14 DIP
74F64	156-1751-XX	Gate, 4-2-3-2 Input AND/OR Invert	14 DIP
74AS74	156-2338-XX	Flip-flop, Dual, D-type Positive Edge Triggered w/Clear and Preset	14 DIP
74AS74	156-2855-XX	Flip-flop, Dual, D-type Positive Edge Triggered w/Clear and Preset	14 DIP
74F74	156-1611-XX	Flip-flop, Dual, D-type Edge Triggered	14 DIP
74F86	156-1800-XX	Gate, Quad, 2-input EX OR	14 DIP
74F109	156-1919-XX	Flip-flop, Dual, Positive Edge Triggered	16 DIP
74F112	156-1974-XX	Flip-flop, Dual, J-K Negative Edge Triggered	16 DIP
74F126	156-3100-XX	Bus Buffer, Quad, w/3-state Output	14 DIP
74F138	156-1727-XX	Decoder/Demultiplexer	16 DIP
74F139	156-1726-XX	Decoder, Dual, 1-of-4 Line	16 DIP
74F148	156-2038-XX	Encoder, 8-to-3 Line Priority	16 DIP
74AS131	156-2927-XX	Decoder/Demultiplexer, 3-to-8 Line w/Address Register	16 DIP
74AS151	156-2073-XX	Data Selector/Multiplexer	16 DIP
74AS151	156-0324-XX	Data Selector/Multiplexer	16 DIP
74F151	156-1746-XX	Multiplexer, 8-input	16 DIP
74AS153	156-2428-XX	Data Selector/Multiplexer, Dual, 4-to-1-Line	16 DIP
74F153	156-1662-XX	Multiplexer, Dual, 4-input	16 DIP
74AS157	156-2159-XX	Data Selector, Multiplexer, Quad, 2-to-1 Line	16 DIP
74F157	156-1909-XX	Multiplexer, Quad, 2-input	16 DIP
74AS158	156-2295-XX	Data Selector/Multiplexer, Quad 1-of-2 Line	16 DIP
74F158	156-1997-XX	Multiplexer, Quad, 2-input	16 DIP
74F160	156-2345-XX	Counter, High Speed Sync BCD Decode	16 DIP
74F161	156-2251-XX	Counter, Presettable Binary	16 DIP
74AS163	156-2520-XX	Counter, 4-bit Binary	16 DIP
74F163	156-1935-XX	Counter, Sync Presettable Binary	16 DIP
74F164	156-2120-XX	Shift Register, Serial-in/Parallel-Out	14 DIP
74AS168	156-2867-XX	Counter, Sync, 8-bit Up/Down Decode & Binary	16 DIP
74AS169	156-2373-XX	Counter, Sync 4-bit Up/Down Binary	16 DIP
74F169	156-2630-XX	Counter, Sync 4-stage Bi-Directional	16 DIP
74F174	156-1911-XX	Flip-flop, Hex, D-type	16 DIP
74AS174	156-2928-XX	Flip-flop, Hex, D-type w/Clear	16 DIP
74F175	156-1973-XX	Flip-flop, Quad, D-type	16 DIP
74AS181A	156-2322-XX	ALU/Function Generator	24 DIP
74F181	156-2501-XX	ALU, 4-bit	24 DIP

^a For listing by function, see Sections 1, 2 and 6.

TTL FAMILY NUMBER LISTING^a

ADVANCED SCHOTTKY (cont)

Vendor Number	Part Number	Description	Case Style
74F182	156-2502-XX	Generator, Lookahead Carry	16 DIP
74F189	156-1934-XX	RAM, 64-bit	16 DIP
74F191	156-1714-XX	Counter, Sync Up/Down Binary	16 DIP
74AS194N	156-2929-XX	Shift Register, 4-bit Bidirectional Universal	16 DIP
74F194	156-1961-XX	Shift Register, Bidirectional Universal	16 DIP
74F195	156-2518-XX	Shift Register, 4-bit, Parallel Access	16 DIP
74F219	156-2201-XX	SRAM, 16 x 14	16 DIP
74AS240	156-2482-XX	Buffer/Line Driver, Octal, w/3-state Output	20 DIP
74F240	156-1744-XX	Buffer/Line Driver, Octal	20 DIP
74F241	156-1745-XX	Buffer/Line Driver, Octal	20 DIP
74F244	156-1962-XX	Buffer/Line Driver, Octal	20 DIP
74AS245N	156-2930-XX	Bus Transceiver, Octal, w/3-state Output	20 DIP
74F245	156-1725-XX	Transceiver, Octal, Bidirectional	20 DIP
74F251	156-2257-XX	Multiplexer, 8-input w/3-state Output	16 DIP
74F253	156-2260-XX	Multiplexer, Dual, 4-input w/3-state Output	16 DIP
74AS257	156-2377-XX	Data Selector/Multiplexer, Quad, 2-to-1 Line w/3-state Output	16 DIP
74F257	156-2001-XX	Multiplexer, Quad, 2-input	16 DIP
74AS258	156-2494-XX	Data Selector/Multiplexer, Quad, 1-of-2 w/3-state Inverting Output	16 DIP
74F258	156-2222-XX	Multiplexer, Quad, 2-input w/3-state Output	16 DIP
74F259	156-2503-XX	Latch, 8-bit Addressable	16 DIP
74F273	156-2634-XX	Flip-flop, Dual, D-type	20 DIP
74F280	156-2039-XX	Generator/Checker, 9-bit Parity	14 DIP
74F283	156-1705-XX	Adder, 4-bit Binary	16 DIP
74AS286	156-2527-XX	Generator/Checker, 9-bit Parity w/Bus Driver	20 DIP
74F299	156-2259-XX	Shift Register/Storage, 8-input, Universal	20 DIP
74F350	156-2504-XX	Shift Register, 8-bit w/3-state Output	16 DIP
74AS352	156-2499-XX	Data Selector/Multiplexer, Dual, 4-to-1 Line	16 DIP
74F352	156-2154-XX	Multiplexer, Dual, 4-input	16 DIP
74AS353	156-2931-XX	Data Selector/Multiplexer, Dual, 4-to-1 Line w/3-state Output	16 DIP
74F353	156-2497-XX	Multiplexer, Dual, 4-input w/3-state Output	16 DIP
74F354	156-2552-XX	Data Selector/Multiplexer/Register, 8-to-1 Line	20 DIP
74F367	156-3099-XX	Bus Driver, Hex, w/3-state Output	14 DIP
74AS373	156-2065-XX	Latch, Octal, D-type Transparent w/3-state Output	20 DIP
74F373	156-1721-XX	Latch, Octal, D-type Transparent	20 DIP
74AS374	156-2382-XX	Flip-flop, Octal, D-type, Edge Triggered	20 DIP
74AS374	156-2519-XX	Flip-flop, Octal, D-type	20 DIP
74F374	156-1704-XX	Flip-flop, Octal, D-type	20 DIP
74F377N	156-2924-XX	Flip-flop, Octal, D-type w/Clock Enable	20 DIP
74F378	156-2067-XX	Register, 6-bit	16 DIP
74F379	156-2264-XX	Register, Quad, Parallel w/Enable	16 DIP
74F398	156-2157-XX	Register, High Speed Quad, 2-Port	20 DIP
74F399	156-1634-XX	Register, Quad, 2-input, 4-bit	16 DIP
74F407	156-2925-XX	Register, Data Access w/3-state Output	24 DIP
74F521	156-0441-XX	Comparator, 8-bit Identity	20 DIP
74F533	156-1871-XX	Latch, Octal, Transparent w/3-state Output	20 DIP
74F534	156-2002-XX	Flip-flop, Octal, D-type	20 DIP
74F538	156-2083-XX	Decoder, 1-of-8 w/3-state Output	20 DIP
74F539	156-2548-XX	Decoder, Dual, 1-of-4 w/3-state Output	20 DIP
74F540N	156-2852-XX	Register, Data Access w/3-state Output	24 DIP
74F541N	156-2864-XX	Buffer, Octal, w/3-state Output	20 DIP
74F548	156-2488-XX	Decoder/Multiplexer, Octal	20 DIP
74F569	156-2802-XX	Counter, 4-bit, Bidirectional w/3-state Output	20 DIP
74AS573	156-3017-XX	Latch, Octal, D-type, Transparent w/3-state Output	20 DIP
74F573	156-2926-XX	Latch, Octal, D-type w/3-state Output	20 DIP
74AS574	156-2613-XX	Latch, Octal, D-type Transparent w/3-state Output	20 DIP
74AS574	156-3000-XX	Flip-flop, Octal, D-type, Edge Triggered w/3-state Output	20 DIP
74AS574	156-2612-XX	Flip-flop, Octal, D-type, Edge Triggered w/3-state Output	20 DIP
74F574	156-2953-XX	Flip-flop, Octal, D-type Edge Triggered w/3-state Output	20 DIP
74AS576	156-2638-XX	Flip-flop, Octal, D-type, Edge Triggered w/3-state Output	20 DIP
74AS580	156-2639-XX	Latch, Octal, D-type Transparent w/3-State Output	20 DIP

^a For listing by function, see Sections 1, 2 and 6.

TTL FAMILY NUMBER LISTING^a

ADVANCED SCHOTTLY (cont)

Vendor Number	Part Number	Description	Case Style
74AS646	156-2229-XX	Transceiver/Register, Octal, Bus	24 DIP
74AS646	156-2406-XX	Transceiver/Register, Octal, Bus	24 DIP
74AS648	156-2965-XX	Bus Transceiver/Register, Octal, Inverting, w/3-state Output	24 DIP
74AS652	156-2236-XX	Transceiver/Register, Octal Bus	24 DIP
74F657	156-2971-XX	Transceiver, Octal, Bidirectional w/8-bit Parity Generator	24 DIP
74F676	156-1933-XX	Shift Register, 16-bit	24 DIP
74AS756	156-2429-XX	Buffer/Line Driver, Octal, w/Open Collector Output	20 DIP
74AS759	156-3102-XX	Bus Transceiver, Quad, w/Open Collector Output	14 DIP
74AS760	156-2932-XX	Buffer/Line Driver, Octal, w/Open Collector Output	20 DIP
74AS804	156-1617-XX	Driver, Hex, 2-input NOR	20 DIP
74AS804A	156-2124-XX	Driver, Hex, 2-input NAND Bi-polar	20 DIP
74AS805A	156-2166-XX	Driver, Hex, 2-input NOR	20 DIP
74AS808A	156-2156-XX	Driver, Hex, 2-input AND	20 DIP
74AS832B	156-2158-XX	Driver, Hex, 2-input OR	20 DIP
74AS850	156-2521-XX	Data Selector/Multiplexer, 1-of-16 Line w/3-state Output	28 DIP
74AS857	156-2386-XX	Multiplexer, Hex, 2-of-1 Universal	24 DIP
74AS866	156-2028-XX	Comparator, 8-bit Magnitude	28 DIP
74AS867	156-2389-XX	Counter, Sync Up/Down, 8-bit, Presettable	24 DIP
74AS867	156-2525-XX	Counter, Async, 8-bit Up/Down w/Clear	24 DIP
74AS869	156-2291-XX	Counter, Sync Up/Down, 4-bit	24 DIP
74AS870	156-2387-XX	Register File, Dual	24 DIP
74AS873	156-2234-XX	Latch, Dual, 4-bit, D-type w/3-state Output	24 DIP
74AS874	156-2232-XX	Flip-flop, Dual, 4-bit, D-type, Edge Triggered	24 DIP
74AS876	156-2318-XX	Flip-flop, Dual, 4-bit, D-type, Edge Triggered	24 DIP
74AS880	156-2966-XX	Latch, Dual, 4-bit Inverting, D-type w/3-State Output	24 DIP
74AS881	156-1703-XX	ALU/Function Generator, 4-bit	24 DIP
74AS1000	156-2215-XX	Buffer, Quad, 2-input NAND	14 DIP
74AS1004	156-2167-XX	Inverter/Buffer, Hex	14 DIP
74AS1008	156-2430-XX	Driver, Quad, 2-input Positive AND	14 DIP
74AS1032	156-2235-XX	Buffer/Driver, Quad, 2-input Positive OR	14 DIP
74AS1034	156-2500-XX	Driver, Hex, Non-inverting	14 DIP
74AS1036	156-2468-XX	Driver, Quad, 2-input Positive NOR	14 DIP
74AS1804	156-2716-XX	Driver, Hex, 2-input NAND	20 DIP
74AS1804	156-2967-XX	Driver, Hex, 2-input NAND	20 DIP

^a For listing by function, see Sections 1, 2 and 6.

TTL FAMILY NUMBER LISTING^a

ADVANCED LOW POWER SCHOTTKY

Vendor Number	Part Number	Description	Case Style
2927	156-1857-XX	Quad, 3-state Bus Transceiver w/Clock Enable	20 DIP
74ALS00A	156-2091-XX	Gate, Quad, 2-input Positive NAND	14 DIP
74ALS01	156-2332-XX	Gate, Quad, 2-input, Positive NAND w/Open Collector Output	14 DIP
74ALS02	156-2092-XX	Gate, Quad, 2-input Positive NOR	14 DIP
74ALS03	156-2390-XX	Gate, Quad, 2-input NAND w/Open Collector Output	14 DIP
74ALS03	156-2626-XX	Gate, Quad, 2-input Positive NAND w/Open Collector Output	14 DIP
74ALS04	156-2094-XX	Inverter, Hex	14 DIP
74ALS05	156-2427-XX	Inverter, Hex w/OC Output	14 DIP
74ALS08	156-2113-XX	Gate, Quad, 2-input Positive AND	14 DIP
74ALS08	156-2065-XX	Latch, Octal, D-type Transparent w/3-state Output	20 DIP
74ALS10	156-1832-XX	Gate, 3-input NAND	14 DIP
74ALS11	156-2176-XX	Gate, Triple, 3-input, Positive AND	14 DIP
74ALS12	156-2177-XX	Gate, Triple, 3-input Positive NAND w/Open Collector Output	14 DIP
74ALS20A	156-2101-XX	Gate, Dual, 4-input Positive NAND	14 DIP
74ALS21	156-2239-XX	Gate, Dual, 4-input Positive AND	14 DIP
74ALS27	156-2097-XX	Gate, Triple, 3-input Positive NOR	14 DIP
74ALS30	156-1910-XX	Gate, 8-input NAND	14 DIP
74ALS32	156-2093-XX	Gate, Quad, 2-input Positive OR	14 DIP
74ALS33	156-2200-XX	Buffer, Quad, 2-input NOR w/Open Collector Output	14 DIP
74ALS38	156-2178-XX	Buffer, Quad, 2-input NAND w/Open Collector Output	14 DIP
74ALS74	156-1756-XX	Flip-flop, Dual, D-type Positive Edge Triggered	14 DIP
74ALS86	156-2095-XX	Gate, Quad, 2-input EX/OR	14 DIP
74ALS109	156-1755-XX	Flip-flop, Dual J-K Positive Edge Triggered	16 DIP
74ALS112	156-1758-XX	Flip-flop, Dual, J-K Negative Edge Triggered	16 DIP
74ALS131	156-2538-XX	Decoder/Demultiplexer, 3-to-8 Line, w/Address Register	16 DIP
74ALS133	156-1759-XX	Gate, 13-input NAND	16 DIP
74ALS138	156-2100-XX	Decoder/Demultiplexer, 3 to 8 Line	16 DIP
74ALS139	156-2293-XX	Decoder/Multiplexer, Dual, 2-to-4 Line	16 DIP
74ALS153	156-2109-XX	Data Selector/Multiplexer, Dual, 4-to-1 Line	16 DIP
74ALS157	156-2182-XX	Data Selector/Multiplexer, Quad, 2-to-1 Line	16 DIP
74ALS158	156-2161-XX	Data Selector/Multiplexer, Quad, 1-of-2 Line	16 DIP
74ALS161	156-2098-XX	Counter, Sync, 4-bit	16 DIP
74ALS162	156-2333-XX	Counter, Sync 4-bit Decade	16 DIP
74ALS169	156-2169-XX	Counter, Sync 4-bit Up/Down Decade Binary	16 DIP
74ALS174	156-2179-XX	Flip-flop, Hex/Quad, D-type w/Clear	16 DIP
74ALS175	156-2096-XX	Flip-flop, Octal, D-type	16 DIP
74ALS191	156-2334-XX	Counter, Sync 4-bit Up/Down Binary	16 DIP
74ALS233A	156-2964-XX	FIFO, 16 x 14	20 DIP
74ALS240	156-1753-XX	Buffer/Line Driver, Octal	20 DIP
74ALS241	156-2180-XX	Buffer/Line Driver, Octal, w/3-state Output	20 DIP
74ALS243-1	156-1908-XX	Transceiver, Quad, Bus	14 DIP
74ALS244	156-2099-XX	Buffer/Line Driver/Line Receiver, Octal	20 DIP
74ALS244	156-1754-XX	Buffer/Line Driver, Octal, w/3-state Output	20 DIP
74ALS244	156-2106-XX	Buffer, Octal, w/3-state Output	20 DIP
74ALS245	156-1748-XX	Transceiver, Octal, Bus w/3-state Output	20 DIP
74ALS257	156-2210-XX	Data Selector/Multiplexer, Quad, 1-of-8 w/3-state Output	16 DIP
74ALS273	156-1998-XX	Flip-flop, Octal, D-type	20 DIP
74ALS299	156-1856-XX	Register, Shift/Storage, 8-bit Universal	20 DIP
74ALS352	156-2618-XX	Data Selector/Multiplexer, Dual, 4-to-1 Line	16 DIP
74ALS368	156-2181-XX	Driver, Hex, Bus w/3-state Output	16 DIP
74ALS373	156-2111-XX	Latch, Octal, D-type	20 DIP
74ALS374	156-2063-XX	Flip-flop, 8-bit D-type	20 DIP
74ALS521	156-2238-XX	Identity Comparator, 8-bit	20 DIP
74ALS540	156-2863-XX	Buffer/Line Driver, Quad w/3-state Output	20 DIP
74ALS540N	156-2933-XX	Buffer/Line Driver w/3-state Output	20 DIP
74ALS541	156-2391-XX	Buffer/Driver, Octal, w/3-state Output	20 DIP
74ALS561	156-2326-XX	Counter, 4-bit Binary w/3-state Output	20 DIP
74ALS564	156-1691-XX	Flip-flop, Octal, D-type	20 DIP
74ALS569	156-2495-XX	Counter, Sync 4-bit Up/Down Binary w/3-state Output	20 DIP
74ALS569	156-1757-XX	Counter, Sync 4-bit Up/Down	16 DIP

^a For listing by function, see Sections 1, 2 and 6.

TTL FAMILY NUMBER LISTING^a

ADVANCED LOW POWER SCHOTTKY (cont)

Vendor Number	Part Number	Description	Case Style
74ALS573	156-1858-XX	Latch, Transparent D-type	20 DIP
74ALS574	156-1664-XX	Flip-flop, Octal, D-type	20 DIP
74ALS580	156-2022-XX	Latch, Octal, D-type Transparent	
74ALS623	156-2153-XX	Transceiver, Octal, Bus w/3-state Output	20 DIP
74ALS640	156-2211-XX	Transceiver, Octal, Bus	20 DIP
74ALS640A	156-2221-XX	Transceiver, Octal, Bus w/3-state Output	20 DIP
74ALS646	156-2086-XX	Transceiver/Register, Octal, Bus	24 DIP
74ALS648	156-2020-XX	Transceiver/Register, Octal, Bus	
74ALS652	156-2292-XX	Transceiver/Register, Octal, Bus	24 DIP
74ALS677	156-2233-XX	Address Comparator	24 DIP
74ALS678	156-2547-XX	Address Comparator, 16-to-4-bit	24 DIP
74ALS688	156-2388-XX	Identity Comparator, 8-bit	20 DIP
74ALS804	156-2481-XX	Driver, Hex, 2-input NAND	20 DIP
74ALS832	156-2998-XX	Driver, Hex, 2-input OR	20 DIP
74ALS841	156-2342-XX	Latch, 10-bit Bus Interface, D-type w/3-state Output	24 DIP
74ALS843	156-2950-XX	Latch, 9-bit, Bus Interface, D-type w/3-state Output	24 DIP
74ALS844	156-2611-XX	Latch, 9-bit Interface, D-type w/3-state Output	24 DIP
74ALS874	156-2294-XX	Flip-flop, Dual, D-type, Edge Triggered	24 DIP
74ALS876	156-2285-XX	Flip-flop, Dual, D-type, 4-bit, Edge Triggered	24 DIP
74ALS876	156-2318-XX	Flip-flop, Dual, D-type, Edge Triggered	24 DIP
74ALS879A	156-2653-XX	Flip-flop, Dual, 4-bit, D-type	20 DIP
74ALS996	156-2954-XX	Latch, 8-bit, D-type, Edge Triggered, Readback	24 DIP
74ALS1005	156-2320-XX	Inverter/Buffer, Hex, w/Open Collector Output	14 DIP
74ALS1034N	156-2284-XX	Driver, Hex	14 DIP
74ALS1035	156-2528-XX	Buffer, Hex, Non-inverting w/Open Collector Output	14 DIP
74ALS1244	156-1754-XX	Buffer/Line Driver, Octal	20 DIP
74ALS1245	156-1748-XX	Transceiver, Octal, Bus w/3-state Output	20 DIP

^a For listing by function, see Sections 1, 2 and 6.

TECHNICAL SHEETS

Part Number	Description
062-2318-00	Circuit board standards marking adherence and solder flux cleaning
062-2985-00	Microcircuit quality level requirements
062-3448-00	Protective packaging for shipment and storage of static-sensitive microcircuits
062-3728-00	Microcircuit mechanical and environmental requirements
062-3798-00	Outline drawings for dual in-line and flatpack purchased microcircuits
062-3919-00	Digital microcircuit screening requirements for TTL, STTL, LSTTL, HTTL, LTTL
062-3919-01	Digital microcircuit and preconditioned requirements for Bipolar
062-3919-02	Test lab screening requirements for high reliability microcircuit
062-3924-00	Digital microcircuit screening requirements for MOS
062-3942-00	Microcircuit screening requirements for ECL
062-3953-00	General reliability requirements for purchased microcircuits
062-4099-00	Digital microcircuit screening requirements for MOS DRAMs
062-4113-00	Digital microcircuit screening requirements for Bipolar RAMs
062-4188-00	Digital microcircuit screening requirements for NMOS ROMs
062-4385-00	Digital microcircuit screening requirements with dynamic burn-in for MOS
062-4385-01	Digital microcircuit screening requirements with dynamic burn-in (72 hour minimum)
062-5863-00	Quality and reliability requirements for high reliability MOS and Bipolar RAMs and MROMs
062-5863-01	Lot-acceptance reliability tests for RAMs and Masked ROMs
062-5875-00	Screening requirements for EPROMs
062-5876-00	Quality and reliability requirements for EPROMs
062-6180-00	Quality and reliability requirements for 3-terminal voltage regulator microcircuits
062-6180-01	Quality and reliability requirements for screened 3-terminal voltage regulator microcircuits
062-6745-00	Reliability requirements for fusible link integrated circuits.
062-8273-00	Design requirements for CMOS gate array



SECTION 7

TABLE OF CONTENTS

	Page
INTEGRATED CIRCUITS, SPECIAL FUNCTION	
A/D CONVERTERS	7-2
D/A CONVERTERS	7-4
RMS TO DC CONVERTER	7-6
VOLTAGE TO FREQUENCY CONVERTERS	7-6
ANALOG SWITCHES/MULTIPLEXERS	7-7
COMPARATORS	7-8
PHASE LOCK LOOPS & RELATED COMPONENTS	7-9
AMPLIFIERS	7-10
SAMPLE AND HOLD	7-10
TEMPERATURE TRANSDUCERS	7-10
TIMERS	7-11
MISCELLANEOUS	7-11
TEK PART NUMBER TO VENDOR NUMBER	SECTION 9
VENDOR NUMBER TO TEK PART NUMBER	SECTION 10

In the Semiconductor Section of the Supplement Catalog 7, you will find the following information:

- Static Awareness
 - Handling of Static Sensitive Components

- Integrated Circuits - Application Notes
 - Package Number Codes
 - Integrated Circuit Quality and Reliability

CATALOG WRITER: SANDRA PHILLIPS, 629-3030

A/D CONVERTERS

6-bit

Vendor Number	Part Number	Codes ^a			Description	Other	Case Style
		ND	Cost	ST			
TCD1046J8C	156-2487-00		16.000	CR	25 Min MSPS, TTL Compatible, Parallel Flash Converter		18 DIP

8-bit

Vendor Number	Part Number	Codes ^a			Description	Other	Case Style	
		ND	Cost	ST				
TLC5411	156-2455-00		2.020	PP	12-channel Multiplexer, 34.3 μ S per Conversion 100 μ S, μ P Compatible, CMOS, SAR	Screened	20 DIP	
ADC0801	156-1533-00	A	8.550	CR			2 μ S, Serial I/O	20 DIP
ADC0831	156-2489-00		2.250	PP			4-channel Multiplexer, CMOS	8 DIP
ADC0844	156-1965-00			DL	400 nS, Short Cycle, SAR		20 DIP	
TDC1001	156-1590-00	A	22.000	CR			18 DIP	
TDC1007	156-1345-00	A	180.000	CS	40 micoS, ECL Outputs, Parallel Flash Converter		64 DIP	
AD7574	156-1928-00		5.400	CR	15 μ S, CMOS		18 DIP	
MP7684KD	156-2800-00		23.000	CR	Parallel (Flash), High Speed		24 DIP	
CX20052A1	156-2248-00		28.100	CR	22 nS, High Speed, ECL, Series Parallel		28 DIP	

10-bit

Vendor Number	Part Number	Codes ^a			Description	Other	Case Style
		ND	Cost	ST			
ADC1001	156-2347-00	A	10.750	CR	217 μ S, CMOS	Screened	20 DIP
8701	156-1595-00	A	23.250	CR	6 mS, Latches, CMOS, Monolithic, μ P Compatible		24 DIP

12-bit

Vendor Number	Part Number	Codes ^a			Description	Other	Case Style
		ND	Cost	ST			
ADC80-12	156-1307-00	A	89.000	CM	25 μ S, Short Cycle, Discrete Modul, Internal Reference μ P Compatible w/3-state Output		32 DIP
AD574AK	156-2572-00	U	41.500	PP			28 DIP
AD574AKD	156-2730-00			EN	100 μ S, 10-bit Linear 200 μ S Max, 12-bit Linear		24 DIP
ADC1211	156-1571-00	A	21.000	CR			24 DIP
	156-2412-00		26.250	CR			24 DIP

16-bit

Vendor Number	Part Number	Codes ^a			Description	Other	Case Style
		ND	Cost	ST			
ADC71KG	156-2869-00		109.000	EN	Output Current 50 μ S		32 DIP

^a The nominal price (at time of printing) is listed in the cost column. For ND Codes (New Design Recommendations) and Status Codes, see tab marked CODES in the back of this catalog.

A/D CONVERTERS (cont)

One-Chip DVM Systems

Vendor Number	Part Number	Codes ^a			Description	Other	Case Style
		ND	Cost	ST			
ICL7106	156-1483-00	A	4.400	CR	3-1/2 Digit, LCD Display Drivers, CMOS Auto Zero, 1 pA Input Current 3-1/2 Digit, LED Display Drivers, CMOS Auto Zero, 1 pA Input Current 3-1/2 Digit, BCD Outputs, CMOS, No Display Drivers		40 DIP
ICL7107	156-1435-00	A	4.400	CR			40 DIP
MC14433	156-1118-00	A	3.100	LS			24 DIP

Two-Chip DVM Systems

Vendor Number	Part Number	Codes ^a			Description	Other	Case Style
		ND	Cost	ST			
LD110	156-0476-00	A	6.750	CR	3-1/2 Digit, Digital Section, 2 kHz to 250 kHz Clock, Use with LD111A or LD120 3-1/2 Digit, Analog Section, Use with LD110 4-1/2 Digit, Analog Section, 163.84 kHz, Use with LD121A		16 DIP
LD111A	156-1268-00	A	8.440	CR			16 DIP
LD122CJ	156-2205-00		7.330	CR			16 DIP
SLD2005	156-1268-01	N	14.600	CR	3-1/2 Digit, Analog Section, Special Noise Selection, Use with LD110 4-1/2 Digit, Analog Section, Use with LD121 or LD110 4-1/2 Digit, Digital Section, 50 kHz to 250 kHz, Use with LD120 or LD111A		16 DIP
LD120	156-1306-00	A	10.050	CR			16 DIP
LD121	156-1305-00	A	11.710	CR		18 DIP	
ICL8052	156-0909-00	A	9.000	CS	3-1/2 Digit, Analog Signal Conditioner, Use with ICL8053 or 71C03. 3-1/2 Digit, Auto Zero Switch Network, Use with ICL8-052		14 DIP
ICL8053	156-0908-00	A	69.000	LS			14 DIP

^a The nominal price (at time of printing) is listed in the cost column. For ND Codes (New Design Recommendations) and Status Codes, see tab marked CODES in the back of this catalog.

D/A CONVERTERS

8-bit

Vendor Number	Part Number	Codes ^a			Description	Other	Case Style
		ND	Cost	ST			
DAC-08	156-1255-00	A	1.240	CR	Complementary Current Output 135 nS Max Multiplying, 9-bit Accurate, Monolithic Bipolar, No-Reference		16 DIP
DAC-08	156-1255-01	A	3.000	CR	Complementary Current Output 135 nS Max, Multiplying, 9-bit Accurate, Monolithic Bipolar, No-Reference	Screened	16 DIP
458KG-75	156-3010-00			EN	Triple, Video w/Color Palette, 256 x 24, 75 MHz (CMOS)		
458KG-125	156-3010-01			EN	Triple, Video w/Color Palette, 256 x 24, 125 MHz		
AD558	156-1623-00	A	5.950	CR	Voltage Output 1.5 mV Max, μ P Compatible Band Gap Reference, Latches		16 DIP
TDC1018	156-2060-00	U	24.000	CR	Video, Monolithic, 10 nS, ECL Compatible		24 DIP
MC1408	156-0509-00	A	.780	CR	Current Output 300 nS Max, Multiplying, .19% Accurate, No-Reference		16 DIP
MC1408-8	156-0509-03	A	1.300	CR	Current Output 300 nS, Multiplying, Reference	Screened	16 DIP
TML1842	156-2860-00	EN	7.450	EN	Current Output 20 nS, Video Compatible, CMOS Monolithic		20 DIP
NE5018	156-1311-00	N		NP	Voltage Output 2 μ S, Latches, Ref. Burn-in Per MIL-STD-883		22 DIP
NE5018NB	156-1311-01		4.000	CR	Voltage Output 2 μ S, Latches	Screened	22 DIP
AM6080	156-1555-00	A	3.000	CR	Complementary Current Output 160 nS, Latches Multiplying, μ P Compatible, No-Reference		20 DIP
AM6080	156-1886-00		7.500	CR	High Speed, 0.1 Nonlinearity		20 DIP
AD7226KN	156-2871-00		18.500	PP	Current Output 5 μ S, Quad, Voltage Outputs, MPU Compatible, CMPS		20 DIP
AD7523	156-1366-00	A	1.900	CR	Current Output 150 μ S, CMOS, Multiplying, No-Reference		16 DIP
AD7524	156-1367-00	A	2.300	CR	Current Output 150 μ S, CMOS, Multiplying, Latches, μ P Compatible, No-Reference		16 DIP
AD7528	156-2493-00		4.750	CR	Dual, Monolithic		20 DIP
8151	156-2949-00		56.410	EN	Current Output 45 nS, Video w/Color Palette, 256 x 8		40 DIP
SP9768	156-1854-00	U	19.970	CR	Current Output 5 nS, Monolithic	Screened	18 DIP
BT453KC-40	156-3013-00	EN		EN	Triple, Video w/Color Palette RAM, 256 x 24, 40 MHz, CMOS		40 DIP

10-bit

Vendor Number	Part Number	Codes ^a			Description	Other	Case Style
		ND	Cost	ST			
DAC10	156-1638-00	U	4.250	CR	Complementary Current Output 150 nS Max, No-Reference, Multiplying		18 DIP
DAC100	156-0137-00	N	46.800	LS	Current Output 375 nS, 2-chip, Hybrid, Reference		16 DIP
DAC331C	156-1321-00	A	61.000	CR	Current Output 1.5 μ S, CMOS Multiplying, No-Reference		16 DIP
AD561	156-0967-00	A	11.000	CR	Current Output 250 μ S, Reference		
TD1016	156-1441-00	A	98.000	CR	Current Output 25 nS, ECL, TTL/ECL Input Buffers, No-Reference		40 DIP
TD1016	156-1441-01	N	51.000	CR	Current Output 25 nS, ECL	Screened	40 DIP
20051	156-2984-00		22.000	PP	30 MHz		28 DIP
MC3410CL	156-0927-00	A	3.900	CR	Current Output 250 nS, No-Reference		16 DIP
MC3410	156-0927-02	A	4.000	CR	Current Output 250 nS, Multiplying, No-Reference	Screened	16 DIP
MC3410	156-0927-03	U	11.203	CR	Current Output 250 nS, No-Reference	Screened	16 DIP
MC3410CL	156-0927-04		10.000	CR	Current Output 20 nS, Multiplying	Screened	16 DIP
MC3410	156-0927-05			CR	Current Amp, Reference		16 DIP
AD7533	156-0719-00	A	4.580	CR	Current Output 500 nS, CMOS, Multiplying, No-Reference		16 DIP
AD7533	156-0719-01	A	5.150	CR	Current Output, 500 nS, CMOS, Multiplying, No-Reference	Screened	16 DIP

^a The nominal price (at time of printing) is listed in the cost column. For ND Codes (New Design Recommendations) and Status Codes, see tab marked CODES in the back of this catalog.

D/A CONVERTERS (cont)

12-bit

Vendor Number	Part Number	Codes ^a			Description	Other	Case Style
		ND	Cost	ST			
TBA	156-1972-00	U	67.000	CS	Current Output 5 nS, Triple, 4-bit, Video		24 DIP
DAC60-12	156-1024-00	A	147.000	CR	Current Output 150 nS, Discrete Modulal Construction		28 DIP
DAC80I	156-0958-00	A	16.500	CS	Current Output 300 nS, 1/4 LSD Differential Linearity, Reference, Hybrid		24 DIP
DAC80I	156-0958-01	A	16.500	CR	Current Output 300 nS, 1/4 LSD Differential Linearity, Reference, Hybrid		24 DIP
DAC80D-CBI-I	156-2218-00		13.980	CR	Current Output 300 nS, Monolithic		24 DIP
DAC80ZI	156-1443-00	A	16.500	OT	Current Output 300 nS, 1/4 LSD Differential Linearity, Reference, Will Work w/12 V Supplies		24 DIP
DAC80V	156-0959-00	A	37.000	CS	Voltage Output 5 μ S, Hybrid, Reference	Screened	24 DIP
DAC80V	156-0959-01	A		DL	Voltage Output 5 μ S, Reference, Hybrid		24 DIP
DAC80-CCD-1	156-1409-00	A	28.500	CR	Current Output 300 nS, Coded Decimal Input, Hybrid, Reference		24 DIP
DAC80-CCD-1	156-1409-01	A		NP	Current Output 300 μ S, Coded Decimal Input Hybrid, Reference	Screened	24 DIP
BT103	156-2701-00		32.000	CR	Current Output 12 nS, Triple, 4-bit, CMOS	Screened	28 DIP
AD565A	156-1329-00	A	14.000	CR	Current Output 200 nS, Monolithic, Reference		24 DIP
AD667J	156-2459-00		13.900	PP	Voltage Output 4 μ S, Reference		28 DIP
DAC800P	156-2819-00		16.000	CR	Complementary Current Output 5 miscoS		24 DIP
DAC811JP	156-2621-00	U	11.900	PP	Voltage Output 4 μ S, CMOS, μ P Compatible, Reference		28 DIP
DAC811CH	156-2442-00		28.500	CR	Current Output 4 μ S, 3-input, 4-bit, Single Chip Microcomputer Compatible		28 DIP
DAC1200	156-1184-00	N		DL	Current Output 1.5 μ S, Voltage Output 2.5 μ S, Reference, 3-chip Hybrid		24 DIP
HS3120	156-1811-00	A	15.750	CR	Current Output 500 nS, Buffers, Multiplying; μ P Compatible, No-Reference		28 DIP
AM6012	156-1589-00	A	6.250	CR	Current Output 250 nS, Hi Speed, Monolithic, Multiplying, Segmented, No-Reference		20 DIP
AD7541	156-1548-01	U			Current Output 1 μ S, Monolithic, CMOS		18 DIP
AD7541ABQ	156-2400-00	X	9.850	CR	100 nS, Multiplying, CMOS		18 DIP
AD7545JN	156-2870-00		85.000	PP	Current Output 2 miscoS, Multiplying w/Latches, CMOS		20 DIP
AD7549	156-2694-00			EN	Dual, Plastic		20 DIP
MP7612	156-1548-00	A	13.950	CR	Current Output 1 μ S, CMOS, No-Reference		18 DIP
AD9702	156-2329-00	A	36.640	CR	Triple, 4-bit Video, ECL/TTL 80 MHz		24 DIP
AD9702	156-2648-00		16.950	EN	Dual, Low Noise		

16-bit

Vendor Number	Part Number	Codes ^a			Description	Other	Case Style
		ND	Cost	ST			
DAC71-I	156-1534-00	A	79.000	CR	Current Output 1 μ S, 4-Digit BCD Input, Reference		24 DIP
DAC71-I	156-1534-01	U		NP	Current Output 1 μ S, 4-Digit BCD Input, Reference		24 DIP
703KP	156-3044-00			EN			24 DIP
DAC709BH	156-2441-00		73.000	CR	Current Output 8 μ S, 2-input, 8-bit, Latches		24 DIP
DAC709K	156-2574-00	U	63.000	PP	Voltage Output 8 μ S, 8-bit Microprocessor Bus Interface		24 DIP
DAC9331	156-1864-00		139.000	CR	Current Output 2 μ S, w/16-bit Linearity		24 DIP

^a The nominal price (at time of printing) is listed in the cost column. For ND Codes (New Design Recommendations) and Status Codes, see tab marked CODES in the back of this catalog.

RMS TO DC CONVERTERS

Vendor Number	Part Number	Codes ^a			Description	Other	Case Style
		ND	Cost	ST			
536A	156-1259-00	A	11.150	CR	Monolithic True RMS to DC Converter, 0.5% Max Error. Approx 200 KHz Band Width		14 DIP
536A	156-1457-00	A	6.750	CR	Monolithic True RMS to DC Converter, 0.5% Max Error. Approx 200 KHz Band Width		TO-100
536A	156-1457-01	N	12.500	CR	Monolithic True RMS to DC Converter 0.5% Max Error. Approx 200 KHz Band Width		TO-100
637J	156-3096-00			PP	RMS to DC Converter, Wide Band Width		14 DIP

VOLTAGE TO FREQUENCY CONVERTERS

Vendor Number	Part Number	Codes ^a			Description	Other	Case Style
		ND	Cost	ST			
LM331N	156-1362-00	A	2.100	CR	1 μ A Band-Gap, Reference		8 DIP

^a The nominal price (at time of printing) is listed in the cost column. For ND Codes (New Design Recommendations) and Status Codes, see tab marked CODES in the back of this catalog.

ANALOG SWITCHES/MULTIPLEXERS

Vendor Number	Part Number	Codes ^a			Description	Other	Case Style
		ND	Cost	ST			
DG181	156-1236-00	A	4.430	CR	2-channel, JFET, Switch		TO-100
DG201	156-0858-00	A	2.950	CR	4-channel, CMOS, Switch		16 DIP
DG211	156-1850-00		1.960	CR	Quad, SPST, CMOS, Switch		16 DIP
DG211CJ	156-3072-00			EN	Quad, SPST, CMOS, Switch		
LF1333	156-2853-00		3.100	CR	Quad, SPST JFET, Switch		16 DIP
4016	156-0289-00	A	.270	CS	4-channel, CMOS, Switch		14 DIP
4016	156-0289-01	A		NP	4-channel, CMOS, Switch	Checked	14 DIP
4016	156-0289-02	A	.500	CR	4-channel, CMOS, Switch	Screened	14 DIP
IH5045	156-3073-00			EN	Quad, DPST, CMOS, Switch		
4051	156-0513-00	A	.490	CR	8-channel, CMOS, Multiplexer		16 DIP
4051	156-0513-02	A	.550	CR	8-channel, CMOS, Multiplexer	Screened	16 DIP
4051B	156-0513-03		.490	CR	8-channel, CMOS, Multiplexer		16 DIP
4052	156-0514-00	A	.490	CR	Dual, 4-channel, CMOS, Multiplexer		16 DIP
4052	156-0514-01	A	.550	CR	Dual, 4-channel, CMOS, Multiplexer	Screened	16 DIP
4052	156-0514-02	A	.490	CR	Dual, 4-channel, CMOS, Multiplexer	Screened	16 DIP
4053	156-0515-00	A	.490	CR	Triple, 2-channel, CMOS, Multiplexer		16 DIP
4053	156-0515-02	A	.550	CR	Triple, 2-channel, CMOS, Multiplexer	Screened	16 DIP
4053	156-0515-03	A	.550	CR	Triple, 2-channel, CMOS, Multiplexer	Screened	16 DIP
4053	156-0515-04	A		NP	Triple, 2-channel, CMOS, Multiplexer	Checked	16 DIP
4066	156-0644-00	A	.220	CR	Quad, Bilateral, CMOS, Switch		14 DIP
4066	156-0644-01	A		NP	4-channel, CMOS, Switch	Checked	14 DIP
CD4066BF	156-0644-02	A	.280	CR	Quad, Bilateral, Switch		14 DIP
4066	156-0644-03	A	.280	CR	4-channel, CMOS, Switch	Screened	14 DIP
4309	156-2974-00		11.000	PP	CMOS, Switch		20 DIP
IH5010	156-1256-00	A	4.680	CR	4-channel (4-JFET Array), Multiplexer		14 DIP
IH5151CPE	156-2668-00		6.200	PP	Dual, CMOS, SPDT Switch		16 DIP
AD7511	156-0723-00	A	4.450	CR	4-channel, CMOS, Switch		16 DIP
AD7511	156-0723-01	A		NP	4-channel, CMOS, Switch	Screened	16 DIP
13333	156-1211-00	A	1.840	CR	4-channel, Bi FET, Switch		16 DIP
13508	156-1270-00	A	2.470	CR	8-channel, Bi FET, Multiplexer		16 DIP
HI1-507-5	156-2715-00		4.500	CR	Analog Multiplexer		28 DIP
MUX 24003	156-1788-00	A	1.250	CR	Dual, 4-channel, Bi FET, Multiplexer		16 DIP
3-0303-5	156-2910-00		9.280	CR	Analog Switch, CMOS		14 DIP
74HC4051	156-2605-00		.490	CR	8-channel, HCMOS, Multiplexer		16 DIP
74HC4052	156-2476-00		1.060	PP	Dual, 4-channel, HCMOS, Multiplexer		16 DIP
74HC4053	156-2571-00	U	1.230	PP	Triple, 2-channel, HCMOS, Multiplexer		16 DIP
74HC4316	156-2604-00		.750	PP	Quad, HCMOS, Switch		16 DIP

^a The nominal price (at time of printing) is listed in the cost column. For ND Codes (New Design Recommendations) and Status Codes, see tab marked CODES in the back of this catalog.

COMPARATORS

Vendor Number	Part Number	Codes ^a			Description	Other	Case Style
		ND	Cost	ST			
CMP-05G	156-2876-00		2.750	PP	Linear, Precision High Speed w/Latched Output		8 DIP
LM211H	156-1790-00	A	1.250	CR	High Speed		TO-99
LM311	156-1126-00	A	.240	CR	Single, with Strobe		8 DIP
311	156-1126-01	A	.580	CR	Single, with Strobe	Screened	8 DIP
311	156-1126-03		.350	CR	Single, with Strobe		8 DIP
311	156-0096-00	A	.500	CR	Single, with Strobe		TO-99
311	156-0096-01	A		NP	Single, with Strobe	Checked	TO-99
311	156-0096-02	A	.560	CR	Single, with Strobe	Screened	TO-99
319D	156-1226-00	A	.870	CR	Dual, 80 nS Typ Delay		14 DIP
319D	156-1226-01	A	1.400	CR	Dual, 80 nS Typ Delay	Screened	14 DIP
319H	156-0570-00	A	1.300	CR	Dual, 80 nS Typ Delay		TO-100
LM319D	156-2052-00	U	.900	PP	Dual, 80 nS Typ Delay		14 DIP
339N	156-0411-00	A	.190	CR	Single Supply, Slow Speed Quad		14 DIP
339N	156-0411-01	A	.300	CR	Single Supply, Slow Speed Quad	Checked	14 DIP
339N	156-0411-02	A	.460	CR	Single Supply, Slow Speed Quad	Screened	14 DIP
LM361H	156-0251-00	N	1.300	CR	Dual, w/Strobe, 20 nS Max Delay		TO-100
LM361H	156-0251-01	N	1.560	CR	Dual, w/Strobe, 20 nS Max Delay	Screened	TO-100
LM361	156-1324-00	N	1.400	CR	20 nS Max Delay	Screened	14 DIP
TLC372CP	156-2467-00		.400	CR	Dual, Differential, CMOS		8 DIP
TLC374CN	156-2466-00		.500	CR	Quad, Differential, CMOS		14 DIP
393N	156-1225-00	A	.230	CR	Dual		8 DIP
393N	156-1225-01		.310	CR	Dual	Screened	8 DIP
NE521	156-1339-00	A	1.030	CR	Dual, Differential Comp, High Speed	Screened	14 DIP
685	156-0362-00	A	6.250	CR	ECL, High Speed 6.5 nS Delay		TO-100
685	156-0362-01	A	10.000	CS	ECL, 6.5 nS Delay	Screened	TO-100
710CH	156-0013-00	A	.450	CR	40 nS Typ Delay		TO-99
TL710CP	156-0134-00	N	.230	CR	Dual, Differential		8 DIP
TL710CP3	156-0134-01	N	.210	CR	Dual, Differential, CMOS		8 DIP
711C	156-0116-00	A	.320	CR	Dual, with Strobe		14 DIP
1018CN8	156-2901-00		1.950	CR	Dual		8 DIP
1514L	156-1056-00	A	.530	CR	Dual Differential		14 DIP
MC3405	156-1284-00	A	1.150	CR	Dual		14 DIP
3431	156-1647-00	U	.680	CR	Quad, High Speed		
9685	156-1344-00	A	4.220	CR	ECL, 3 nS Delay		TO-100
SP9685	156-1988-00			EN	ECL		10 DIP
MC14574CP	156-2258-00	A	1.360	CR	Quad, CMOS		16 DIP
74F521	156-0441-00	U	1.450	CR	8-bit Identity, TTL, 11 nS Max Delay		20 DIP

^a The nominal price (at time of printing) is listed in the cost column. For ND Codes (New Design Recommendations) and Status Codes, see tab marked CODES in the back of this catalog.

PHASE LOCK LOOPS & RELATED COMPONENTS

VOLTAGE CONTROLLED OSCILLATORS

Vendor Number	Part Number	Codes ^a			Description	Other	Case Style
		ND	Cost	ST			
1648P	156-0266-00	A	4.080	CR	ECL		14 DIP
1648P	156-0266-01	A	2.574	CR	ECL	Screened	14 DIP
1658	156-0224-00	A	3.620	CR	ECL		16 DIP
1658	156-0224-01	U	.520	CR	ECL	Screened	16 DIP
74S124	156-1584-00		1.530	CR	TTL, Dual	Screened	16 DIP
74LS628	156-2970-00			EN	TTL, Single		14 DIP
74LS629	156-0861-01		1.230	CR	TTL, Dual	Screened	16 DIP
4024P	156-0121-00	A	1.720	CR	TTL, Dual		14 DIP
4024P	156-0121-02	N	1.640	CR	TTL, Dual		14 DIP
ICL8038	156-1885-00		9.950	CR	Waveform Generator		14 DIP

LOOPS

Vendor Number	Part Number	Codes ^a			Description	Other	Case Style
		ND	Cost	ST			
NE565	156-2731-00			EN	Digital		
XR2212	156-3094-00			PP	Linear		16 DIP
MC14046CP	156-0704-00	A	.420	CR	CMOS, Linear		16 DIP
MC14046CP	156-0704-01	N	1.570	CR	CMOS, Linear		16 DIP
MC145146	156-1742-00	A	4.000	CR	4-bit Bus, Compatible, Digital		20 DIP
MC145155	156-1718-00	A	4.700	CR	CMOS, Serial Input, Digital		18 DIP
73HCT740	156-3004-00			EN	CMOS, Linear, High Speed		16 DIP

PHASE DETECTORS

Vendor Number	Part Number	Codes ^a			Description	Other	Case Style
		ND	Cost	ST			
MC4044	156-0124-00	A	1.710	CR	TTL, Dual Phase-frequency Detector		14 DIP
MC4044	156-0124-02	N	1.843	CR	TTL, Dual Phase-frequency Detector	Screened	14 DIP
MC12040L	156-0518-00	A	5.620	CR	ECL, Phase-frequency Detector		14 DIP

^a The nominal price (at time of printing) is listed in the cost column. For ND Codes (New Design Recommendations) and Status Codes, see tab marked CODES in the back of this catalog.

AMPLIFIERS

Vendor Number	Part Number	Codes ^a			Description	Other	Case Style	
		ND	Cost	ST				
GPD-252A	156-2208-00	U	18.000	CR	Linear, 4-pin Header, Thin Film Cascadable, Amp Module		TO-12	
LM386N-1	156-2353-00		.380	CR				Linear, Low Voltage Audio Power Operational Amp
AD389BD	156-2868-00		108.000	CR				Digital, Track & Hold
UA759HC	156-2633-00		1.400	CR				8-pin, Linear Power Amp
GPD-1003A	156-2247-00	U	23.250	CR	Linear, 4-pin Header, Thin Film Cascadable, Amp Module		TO-99 TO-12	
3430	156-0546-00		104.000	CR				Linear, Electrometer Amp

SAMPLE AND HOLD

Vendor Number	Part Number	Codes ^a			Description	Other	Case Style
		ND	Cost	ST			
SMP-11-FY	156-1312-00	A	2.400	CR	Monolithic Sample & Hold Amp, 3.5 μ S Acquisition Time		14 DIP
LF198	156-1789-00	A	2.450	CR	Bi FET Monolithic Sample & Hold		TO-5
LF298H	156-1791-00	A	7.500	CR	High Performance Amp		TO-99
LF398	156-1370-00	A	1.500	CR	Monolithic Sample & Hold Amp, 6 μ S Acquisition Time		8 DIP
LF398N	156-0433-00	U	1.180	CR	Sample & Hold Amp, 4 μ S Acquisition Time		8 DIP
LF398AN	156-2686-00		4.250	PP	Bi FET Sample & Hold Amp, 6. μ S Acquisition Time		8 DIP
HA1-5320-5	156-2348-00		7.500	CR	Sample & Hold Amp, High Performance Differential Input, 1.2 μ S Acquisition Time		14 DIP

TEMPERATURE TRANSDUCERS

Vendor Number	Part Number	Codes ^a			Description	Other	Case Style
		ND	Cost	ST			
AD590KH	156-0443-00	U	5.100	PP	Linear, Temperature Transducer		TO-92
AD590LH	156-0443-01		10.800	CR	Linear, Temperature Transducer		
AD592B	156-2516-00		5.950	PP	Temperature Sensor, Linear, Current Output		
AD592N	156-2461-00		2.950	PP	Temperature Sensor, Linear, Current Output		
3730	156-3029-00		EN		Temperature & Air Flow Sensor		

^a The nominal price (at time of printing) is listed in the cost column. For ND Codes (New Design Recommendations) and Status Codes, see tab marked CODES in the back of this catalog.

TIMERS

Vendor Number	Part Number	Codes ^a			Description	Other	Case Style
		ND	Cost	ST			
M414	156-2644-00	U	42.440	PP	Counter/Timer, HMOS		68 LCC
555	156-0402-00	A	.320	CR	Functional Timer Block		8 DIP
555	156-0402-01	A	.410	CR	Functional Timer Block	Checked	8 DIP
555	156-0402-02	X	.420	CR	Functional Timer Block	Screened	8 DIP
555	156-0402-03	A	.460	CR	Functional Timer Block	Screened	8 DIP
7555	156-1408-00	A	.570	CR	General Purpose Timer, CMOS		8 DIP
7555	156-1408-01	A	1.740	CR	General Purpose Timer, CMOS	Screened	8 DIP
7555	156-1408-02	U	.190	CR	General Purpose Timer, CMOS		8 DIP
82C54	156-2773-00			EN	Program Interval Timer, CMOS		24 DIP
NS32C201-15	156-3009-00		12.000	CR	Timing Control Unit, CMOS		24 DIP

MISCELLANEOUS

Vendor Number	Part Number	Codes ^a			Description	Other	Case Style
		ND	Cost	ST			
CCD321A	156-1593-00	A	55.000	CR	Analog Shift Register, 455/910-Bit		16 DIP
CCD321A	156-1593-01	U	56.442	CR	Analog Shift Register, 455/910 Bit	Checked	16 DIP
802	156-2328-00	A	83.000	CR	DC to DC Converter, 12 V to 5 V, Isolated, 1 Amp		
UC3901	156-2872-00		1.480	CR	Isolated Feedback Generator, 40 V Supply		14 DIP
TL7702A	156-2677-00		1.050	PP	Analog MDU Reset Generator, 2.5 V Supply		8 DIP
TL7705ACP	156-2396-00	A	.770	CR	Analog Reset Generator, 5 V Supply		8 DIP
13202	156-0911-00		1.550	CR	Digital, JFET Open Switches, CMOS		16 DIP
SN76496P	156-2255-00	A	3.650	CR	Analog, Programmable Tone/Noise Generator, 5 V, 4 MHz		16 DIP

^a The nominal price (at time of printing) is listed in the cost column. For ND Codes (New Design Recommendations) and Status Codes, see tab marked CODES in the back of this catalog.

SECTION 8

TABLE OF CONTENTS

	Page
LINEAR	
OPERATIONAL AMPLIFIER DEFINITIONS	8-2
ANALOG VIDEO CIRCUITS	8-3
MULTIPLIERS-MODULATORS/DEMODULATORS	8-3
VOLTAGE REGULATORS	8-4
OVERVOLTAGE PROTECTOR CIRCUITS	8-4
POSITIVE	8-4
NEGATIVE	8-5
ADJUSTABLE	8-6
SWITCHING REGULATOR CONTROL	8-6
VOLTAGE REFERENCE	8-7
OPERATIONAL AMPLIFIERS	8-8
GENERAL PURPOSE	8-8
VOLTAGE FOLLOWER	8-8
HIGH SPEED	8-9
PRECISION	8-10
FET INPUT	8-11
MISCELLANEOUS	8-12
LINEAR CASE DRAWING	8-13
TEK PART NUMBER TO VENDOR NUMBER	SECTION 9
VENDOR NUMBER TO TEK PART NUMBER	SECTION 10

In the Semiconductor Section of the Supplement Catalog 7, you will find the following information:

- Static Awareness
 - Handling of Static Sensitive Components
- Integrated Circuits - Application Notes
 - Package Number Codes
 - Integrated Circuit Quality and Reliability
 - Operational Amplifiers
 - Operational Transconductance Amplifiers
 - LM321 and LM725C Op Amps

CATALOG WRITER: SANDRA PHILLIPS, 629-3030

OPERATIONAL AMPLIFIER DEFINITIONS

V_{OS}	INPUT OFFSET VOLTAGE - That voltage which must be applied between the input terminals through two equal resistances to force the output voltage to zero.
V_{OS} drift	OFFSET VOLTAGE TEMPERATURE DRIFT - The average drift rate of offset voltage for a thermal variation from room temperature to the indicated temperature extreme.
I_B	INPUT BIAS CURRENT - The average of the currents flowing into the input terminals when the output is at zero voltage.
I_{OS}	INPUT OFFSET CURRENT - The difference in the currents into the two input terminals when the output is at zero voltage.
	I_{OS} equals $I_1 - I_2$, V_o equals 0
I_S	SUPPLY CURRENT - The current required from the power supply to operate the amplifier with no load and the output at zero.
V_O	OUTPUT VOLTAGE SWING - The peak output voltage swing, referred to zero, that can be obtained with the amplifier operating within its gain specification.
R_{in}	INPUT RESISTANCE - The ratio of the change in input voltage to the change in input current on either input with the other grounded.
V_{CM}	INPUT COMMON MODE VOLTAGE RANGE - The range of common mode voltages on the input terminals for which the amplifier operates within its input offset and bias specifications.
CMRR	COMMON MODE REJECTION RATE - The ratio of a specified range of input common mode voltage to the peak-to-peak change in input offset voltage over this range.
PSRR	The ratio of supply voltage range to the change in input offset voltage over the range, with the supplies varied separately or together.
AOL	VOLTAGE GAIN - The ratio of the change in output voltage to the change in input voltage producing it.
t_r	TRANSIENT RESPONSE - The closed loop step function response of the amplifier under small signal conditions.
	UNITY GAIN BANDWIDTH - The frequency at which the voltage gain of the amplifier is unity.
	GAIN BANDWIDTH PRODUCT - The product of the gain and the bandwidth at a given gain.
PBW	POWER BANDWIDTH - The maximum frequency at which the full output voltage swing is maintained.
SR	SLEW RATE (rate limiting) - The rate at which the output will move between full scale steps, measured in terms of volts per unit time. This limit to an ideal step function response is due to the non-linear behavior in an amplifier due to its limited ability to produce large, rapid changes in output voltage (slewing)... restricting it to rates of changes of voltage different than might be predicted by observing the small-signal frequency response.
	SETTLING TIME - Time required for output waveform to remain within some percentage of final value.
	PHASE MARGIN - $(180 \text{ degrees} - \theta_1 - \theta_2)$ where θ_1 is the phase shift at the frequency where the absolute magnitude of gain is unity. θ_2 is the phase shift at a frequency much lower than the open loop bandwidth.

ANALOG VIDEO CIRCUITS

JEDEC/Vendor Number	Part Number	Codes ^a			Description	Other	Case Style
		ND	Cost	ST			
733C	156-0162-02	N	.470	OT	Differential Video Amplifier	Screened	14 DIP
733DC	156-0162-00	A	.520	CR	Differential Video Amplifier		14 DIP
733HC	156-0074-00	A	.530	CR	Differential Video Amplifier		TO-100
11705	156-1693-03		1.050	CR	T.V. Vertical Deflection System		12 QIP
1350P	156-1709-00	A	.500	CR	IF Amplifier		8 DIP
1355P	156-0902-00	A	.800	CR	Limiting FM-IF Amplifier		14 DIP
1357	156-0906-00	A	.450	CS	IF Amplifier and Quadrature Detector		14 DIP
1372P	156-2546-00	U	.760	CR	Color T.V. Video Modulator Circuit		14 DIP
1391N	156-1147-02		.800	CR	T.V. Horizontal Processor		8 DIP
1391P	156-1147-00	A	.427	CR	T.V. Horizontal Processor		8 DIP
1550G	156-0069-00	A	1.200	CS	RF-IF Amplifier		TO-100
1848	156-1401-00	A	1.200	LR	T.V. Chroma Demodulator		14 DIP
2270Q	156-1693-00	A	1.000	CR	T.V. Vertical Deflection System		12 QIP
2270W	156-1693-02		3.080	CR	T.V. Vertical Deflection System		12 SIP
3028A	156-0033-00	A	.500	CR	RF-IF Amplifier		TO-99
3914N	156-2384-00		1.350	CR	DOT/BAR Display Driver	Mini DIP	18 DIP
5033	156-1984-00		3.950	CR	Video Buffer, 250 MHz		8 DIP

MULTIPLIERS-MODULATORS/DEMODULATORS

JEDEC/Vendor Number	Part Number	Codes ^a			Description	Other	Case Style
		ND	Cost	ST			
1495L	156-0407-00	A	1.200	CR	4-Quadrant Multiplier, 4% Error		14 DIP
1495L	156-0407-01	N		NP	4-Quadrant Multiplier, 4% Error	Checked	14 DIP
1495L	156-0407-02	N	1.300	CR	4-Quadrant Multiplier, 4% Error	Screened	14 DIP
1496	156-0130-00	A	.390	CR	Balanced Modulator/Demodulator		TO-100
1496T	156-0130-01	N	.650	CR	Balanced Modulator/Demodulator	Screened	TO-100
1496P	156-0130-03	U	.380	CR	Balanced Modulator/Demodulator	Screened	TO-100
1496P	156-2460-00		.540	CR	Balanced Modulator/Demodulator		14 DIP
442CN	156-0517-00	A	1.320	LR	Mixer Doubly Balanced		14 DIP
442CN	156-0517-01	N		DL	Mixer Doubly Balanced	Screened	14 DIP
539J	156-2875-00		14.950	PP	Wideband Dual Multiplier/Divider		16 DIP
77162GH	156-0130-02	N	.600	CR	Balanced Modulator/Demodulator	Screened	TO-100

^a The nominal price (at time of printing) is listed in the cost column. For ND Codes (New Design Recommendations) and Status Codes, see tab marked CODES in the back of this catalog.

VOLTAGE REGULATORS OVERVOLTAGE PROTECTOR CIRCUITS

JEDEC/Vendor Number	Part Number	Codes ^a			Description	Other	Case Style
		ND	Cost	ST			
77113LH	156-1266-00	A	.900	CR	Adjustable Trip Point, SCR Crowbar Drive, 2.5 V Bandgap Reference, Burned-in	Screened	8 DIP

POSITIVE

JEDEC/Vendor Number	Part Number	Codes ^a			Description	Other	Case Style
		ND	Cost	ST			
309	156-0176-00	N	.680	CR	5 V ± 5%, 1 A		TO-3
323	156-0684-00	A	3.250	CR	5 V ± 5%, 3 A, 15 W		TO-3
341P-5	156-1263-00	N	.400	CR	5 V ± 5%, 500 mA, 1.5 W		TO-202
341P-15	156-1262-00	N	.480	CR	15 V ± 5%, 500 mA, 1.5 W		TO-202
7805	156-0277-00	A	.190	CR	5 V ± 5%, 1 A, 15 W		TO-220
7805	156-0277-01	A	.310	CR	5 V ± 5%, 1 A, 15 W	Screened	TO-220
7805	156-2698-00		.420	CR	5 V ± 2%		TO-220
78L05	156-0991-00	A	.170	CR	5 V ± 5%, 100 mA, 625 mW		TO-92
78L05	156-0991-01	A		NP	5 V ± 5%, 100 mA, 625 mW	Screened	TO-92
78L05	156-0991-02			CR	5 V ± 5%, 100 mA, 625 mW	Screened	TO-92
78L08	156-1244-00	A	.420	NP	8 V ± 5%, 100 mA, 850 mW		TO-39
7812	156-0285-00	A	.190	CR	12 V ± 5%, 100 mA, 15 W		TO-220
7812	156-0285-01	A	.310	CR	12 V ± 5%, 1 A, 15 W	Screened	TO-220
7812	156-0285-02	A	1.100	CR	12 V ± 5%, 1 A, 15 W	Checked	TO-220
7812	156-2558-00		.630	CR	12 V ± 1% 2.4 A, 15 W		TO-220
7812A	156-2735-00		.140	PP	12 V + 2%		TO-92
78L12	156-1160-00	A	.400	CR	12 V ± 5%, 100 mA, 850 mW		TO-39
78L12	156-1160-01	N	.520	CR	12 V ± 5%, 100 mA, 850 mW	Screened	TO-39
78L12	156-1160-02		.500	EN	12 V ± 5%, 100 mA, 850 mW		TO-39
7815	156-0312-00	A	.180	CR	15 V ± 5%, 1 A, 15 W		TO-220
7815	156-1902-00		1.420	CR	15 V ± 3%, 1 A		TO-220
78L15	156-0312-01	X	.420	CR	15 V ± 5%, 1 A, 15 W	Checked	TO-220
78L15	156-0312-02	A	1.350	CR	15 V ± 1%, 1 A, 15 W		TO-220
78L15	156-1261-00	A	.150	CR	15 V ± 5%, 100 mA, 625 mW		TO-92
78L15	156-1261-02	U	.410	CR	15 V ± 5%, 100 mA, 625 mW	Screened	TO-92
7818	156-0264-00	A	.370	CR	18 V ± 5%, 1 A, 15 W		TO-220
7824	156-0926-00	A	.210	CR	24 V ± 4%, 2.1 A, 15 W		TO-220
780-05	156-2416-00		1.000	CR	5 V, 1 A		TO-220
780-12	156-2417-00		1.000	CR	12 V, 1 A		TO-220

^a The nominal price (at time of printing) is listed in the cost column. For ND Codes (New Design Recommendations) and Status Codes, see tab marked CODES in the back of this catalog.

VOLTAGE REGULATORS (cont)

NEGATIVE

JEDEC/Vendor Number	Part Number	Codes ^a			Description	Other	Case Style
		ND	Cost	ST			
345	156-1348-00	A	4.700	CR	-5.2 V ±5%, 3 A, 15 W		TO-3
7905	156-0846-00	A	.230	CR	-5 V ±5%, .5 A, 15 W		TO-220
79L05	156-1150-00	A	.170	CR	-5 V ±5%, 100 mA, 625 mW		TO-92
79L05	156-1150-01	A		NP	-5 V ±5%, 100 mA, 625 mW	Screened	TO-92
79M05	156-2536-00		1.100	CR	-5 V .5 A, 500 mA		TO-39
7905.2	156-0655-00	A	.230	CR	-5.2 V ±5%, .5 A, 15 W		TO-220
7905.2	156-0655-01	A	.310	CR	-5.2 V ±5%, .5 A, 15 W	Screened	TO-220
7912	156-0872-00	A	.230	CR	-12 V ±5%, .5 A, 15 W		TO-220
7912	156-0872-01	A	.580	CR	-12 V ±5%, .5 A, 15 W	Screened	TO-220
7912	156-0872-02	A		NP	-12 V ±5%, .5 A, 15 W	Screened	TO-220
7912	156-2559-00		.690	CR	-12 V ±.1%, 2 A, 15 W		TO-220
79M12	156-1604-00	A	1.500	CS	-12 V ±5%, 350 mA		TO-5
79L12	156-2263-00	U	.290	PP	-12 V ±5%, 100 mA		TO-92
79L12	156-1207-00	A	.420	CR	-12 V ±5%, 100 mA, 850 mW		TO-39
79L12	156-1207-01	N	.560	CR	-12 V ±5%, 100 mA, 850 mW	Screened	TO-39
79M12	156-1264-00	N	.510	CR	-12 V ±5%, 500 mA, 1.5 W		TO-202
7915	156-0527-00	A	.230	CR	-15 V ±5%, 1.5 A, 15 W		TO-220
7915	156-0527-01	A	.420	PP	-15 V ±5%, 1.5 A, 15 W	Screened	TO-220
7915	156-0527-02	A	1.450	CR	-15 V ±1%, 15 W		TO-220
7915	156-1903-00		1.600	CR	-15 V ±3%, 1 A, 15 W		TO-220
79L15	156-1260-00	A	.220	CR	-15 V ±5%, 100 mA, 625 mW		TO-92
75012P	156-0930-00	N	1.600	CR	Selected -15.3 to -14.8 V		TO-220

^a The nominal price (at time of printing) is listed in the cost column. For ND Codes (New Design Recommendations) and Status Codes, see tab marked CODES in the back of this catalog.

VOLTAGE REGULATORS (cont)

ADJUSTABLE

JEDEC/Vendor Number	Part Number	Codes ^a			Description	Other	Case Style
		ND	Cost	ST			
317T	156-1161-00	A	.640	CR	1.2 to 37 V, 1.5 A, 15 W		TO-220
317AT	156-1161-01	A	1.210	CR	1.2 to 37 V, 1.5 A, 15 W		TO-220
317LZ	156-1529-00	A	.400	CR	3 to 40 V, 100 mA, 625 mW		TO-99
337H	156-2782-00		2.000	PP	-1.2 to -37 V, -.5 A		TO-39
337LZ	156-2223-00		.400	CR	-1.2 to -37 V 100 mA, 625 mW		TO-92
337T	156-1451-00	A	.840	CR	-1.2 to -37 V, 1.5 A, 15 W		TO-220
350T	156-1967-00		1.500	CR	3 to 35 V, 3 A		TO-220
396K	156-2443-00		8.000	CR	1.25 to 15 V, 10 A		TO-3
431C	156-1631-00	A	.260	CR	Shunt Regulator, 2.5 - 36 V		TO-92
723C	156-0053-00	A	.470	CR	2 to 37 V, 800 mW		TO-96
723C	156-0053-01	A	.450	CR	2 to 37 V, 800 mW	Screened	TO-96
723C	156-0071-00	A	.320	CR	2 to 37 V, 1000 mW		14 DIP
723C	156-0071-01	A		NP	2 to 37 V, 1000 mW	Checked	14 DIP
723C	156-0071-02	A	.460	CR	2 to 37 V, 1000 mW	Screened	14 DIP
723J	156-0071-03	U	1.400	CR	2 to 37 V, 600 mW		14 DIP
723HM	156-0699-00	N	.620	CS	2 to 37 V, 412 mW		TO-100
723HM	156-0699-01	N	.650	CR	2 to 37 V, 412 mW	Screened	TO-100
783C	156-2723-00			EN	1.25 to 125 V, 700 mA		TO-220 AB
1033	156-2160-00	U		DL	-1.2 to 35 V, 3 A		TO-3
1469R	156-0052-00	N	2.890	LR	2.5 to 32 V, .5 A, 10.8 W		TO-66
2531CT	156-2576-00			DL	3 to 23 V, 150 mA		TO-220
3501	156-0208-00	N	6.550	CR	±15 V or ±8 to 23 V, 1000 mA		14 DIP
3501	156-0208-01	N		NP	±15 V or ±8 to 23 V, 1000 mA	Screened	14 DIP
4194DC	156-0496-00	A	2.600	CR	0 to ±32 V, 100 mA, 1042 mW		14 DIP
4194DC	156-0496-01	A		NP	0 to ±32 V, 100 mA, 1042 mW	Screened	14 DIP
4194DC	156-1308-00	A	6.400	CR	9.5 to ±45 V, 100 mA, 900 mW		14 DIP
4194DC	156-1308-01	A		NP	9.5 to ±45 V, 100 mA, 900 mW	Screened	14 DIP

SWITCHING REGULATOR CONTROL

JEDEC/Vendor Number	Part Number	Codes ^a			Description	Other	Case Style
		ND	Cost	ST			
594CN	156-1627-00	A	.937	CR	Pulse Width Modulation Control Circuit	Screened	16 DIP
3524	156-0933-00	N	2.250	CR	Pulse Width Modulation w/Push-Pull Outputs		16 DIP
3524	156-0933-01	N	3.250	CR	Pulse Width Modulation w/Push-Pull Outputs, Burn-in	Screened	16 DIP
3524B	156-0933-02	A	1.600	CR	Pulse Width Modulation w/Push-Pull Outputs, Burn-in		16 DIP
3525A	156-2024-00		1.900	CR	Pulse Width Modulation Controller		16 DIP
3526	156-1585-00	A	8.680	CR	Pulse Width Modulation Control Circuit w/Push-Pull Totem-pole Outputs, Selected & Burn-In	Screened	18 DIP
3526	156-1585-01	A		DL	Pulse Width Modulation Control Circuit w/Push-Pull Totem-pole Outputs w/Heat Sink, ±1% Voltage Reference, Screened & Burn-In	Screened	18 DIP
3526	156-1585-02		8.680	CR	Pulse Width Mod Controller Circuit w/Push Pull Totem-pole Outputs, Burn-in	Screened	18 DIP
3842N	156-2524-00		1.800	CR	Pulse Width Modulation		8 DIP
5561N	156-1799-00	A	.740	CR	Switch Mode Power Supply Control Circuit	Screened	8 DIP
28885	156-1283-00	A	1.280	CR	Gated Oscillator w/Single-ended Output & Uncommitted High-Current Op Amp		16 DIP
34060	156-2395-00		.560	CR	Pulse Width Modulation Controller, Bipolar		14 DIP

^a The nominal price (at time of printing) is listed in the cost column. For ND Codes (New Design Recommendations) and Status Codes, see tab marked CODES in the back of this catalog.

VOLTAGE REFERENCE

Reference Voltage (V)	Tolerance (±%)	TC (ppm/°C)	Temperature Range (°C)	JEDEC/ Vendor Number	Part Number	Codes ^a			Case Style	Notes
						ND	Cost	ST		
1.225	2.	50	0-70	8069CCSQ	156-1490-00	A	1.980	CR	TO-52	Two-Terminal Dice Form
1.225	2.	100	0-70	589JH	156-1586-00	A	.700	CR		
1.235	1.	20	-55 + 150	LM385BZ-1.2	156-3019-00			EN	TO-92	
2.5	1.	25	0-70	1403AUDS	156-1439-00	A		OB	8 DIP	Purchased Pre-Conditioned
2.5	1.	40	0-70	1403UDS	156-1173-00	A	.840	CR	8 DIP	Purchased Pre-Conditioned
2.5	1.	25	0-70	580LH	156-0937-00	A	4.250	CR	TO-52	
5.	1.	25	0-70	1404AU5DS	156-1437-00	A	1.660	CR	8 DIP	Purchased Pre-Conditioned
5.	2.7	65	0-70	REF-02CJ	156-1543-00	A	4.500	CS	TO-99	Metal Pkg
6.25	1.	25	0-70	1404AU6DS	156-1436-00	A		OB	8 DIP	Purchased Pre-Conditioned
6.25	.2	25	0-70	1400U6	156-1812-00	A	2.600	CR	8 DIP	
6.95	5.	2	0-70	399	156-0783-00	N	2.762	CR	TO-46	Internal Heater
6.95	5.	2	0-70	399	156-0783-01	N	3.220	CR	TO-46	Internal Heater Pre-conditioned
10.	3.	8.5	0-70	REF-01	156-1503-00	A	9.250	CR	TO-99	
10.	.3	30	0-70	AD40227	156-1249-00	A	4.150	CR	TO-5	Purchased Pre-Conditioned
10.	.1	30	0-70	368H	156-2186-00		3.650	CR	TO-99	
10.	.05	5	0-70	40374	156-1322-00	A	9.950	CR	TO-39	Purchased Pre-Conditioned
10.	.05	20	0-70	LT1021CCN8-10	156-2842-00		4.850	PP	8 DIP	Purchased
10.	.025	5	-25 ± 85	AD2702LD	156-2900-00		54.000	PP	14 DIP	Dual, Purchased

^a The nominal price (at time of printing) is listed in the cost column. For ND Codes (New Design Recommendations) and Status Codes, see tab marked CODES in the back of this catalog.

OP AMP GENERAL PURPOSE

Vendor Number	Part Number	Codes ^a			VOS Max (mV)	VOS Drift Max (μV/°C)	I _B Max (nA)	I _{OS} Max (nA)	I _{OS} Drift (nA/°C)	Cmrr Min (dB)	BW Typ (MHz)	Slew Rate Typ (V/μS)	Supply Voltage Max (+V)	Internal Comp	Remarks	Case Style	
		ND	Cost	ST													
274CN	156-2854-00		.920	CR	10.		.15	.1		70.					Quad, CMOS, Low Power	14 DIP	
301A	156-0077-00	A	.390	CR	7.5	30.	250.	50.	.3	70.	1.+	.5	18.	No	Tek Selected - 100% Tested of -00	TO-99	
	156-0077-01	A	.510	CS													
301AN	156-0105-00	A	.160	CR	7.5	30.	250.	50.	.3	70.	1.+	.5	18.	No	Ceramic Package with Burn-in Screened	8 DIP	
	156-0105-02	A	.420	CR													
	156-0105-04	A	1.040	CR													
324N	156-0495-00	A	.190	CR	7.		250.	50.		65.	1.	.25	16.	Yes	Quad, Single Supply Tek Selected for I _B Ceramic Package with Burn-in	14 DIP	
	156-0495-01	A	.818	CR													
	156-0495-02	A	.500	CR													
358N	156-0853-00	A	.190	CR	7.		250.	50.		65.	1.	.25	16.	Yes	Dual, Single Supply Ceramic Package	8 DIP	
	156-0853-02	A	.360	CR													
531N	156-0122-00	N	4.360	CS	6.		1500.	200.		70.	.1	35.	22.	Yes	High Slew Rate	TO-99	
531N	156-0511-00	N	.790	CR	6.		1500.	200.		70.			22.	Yes	High Slew Rate	8 DIP	
	156-0511-01	N	.980	CR										Yes	High Slew Rate, Screened	8 DIP	
741	156-0049-00	N	.500	CR	6.		500.	200.		70.		.5	18.	No		TO-99	
741	156-0067-00	A	.220	CR	6.		200.	30.		70.	1.	.5	18.	Yes	Tek Selected - 100% Tested of -00 Tighter I _{OS} , I _B National Only Tek Selected for V _{OS} Selected for ±20. V Supply Voltage Selected for Maximum Offset Voltage Drive 15. μV/°C Tek Selected, Burn-in and Tested at Tek RCA Ceramic Package Ceramic Package with Burn-in	8 DIP	
	156-0067-01	N	.250	CR													
	156-0067-02	N	.260	CR													
	156-0067-03	N	.250	CS													
	156-0067-05	N	3.640	CR													
	156-0067-06	N	.390	CR													
	156-0067-08	N	3.000	CR													
	156-0067-10	N	.280	CR													
	156-0067-11	N	.260	CR													
	156-0067-12	A	.410	CR													
	156-0067-13	A	.557	CR													
741	156-0431-00	A	1.500	CR	5.		200.	25.		70.	1.3	1.	22.		Low Noise, High Speed, Chip Form	Chip	
741	156-0700-01	A	.540	CR	5.		500.	200.		70.		.5	15.			TO-99	
1458	156-0158-00	A	.195	CR	6.		500.	200.		70.	1.	.5	18.	Yes	Dual 741C Tek Selected - 100% Tested of -00 Tek Selected for I _B Tek Selected - 100% Tested of -04 Ceramic Package RCA Only Burn-in	8 DIP	
	156-0158-01	N	1.260	CR													
	156-0158-02	N		NP													
	156-0158-03	N		NP													
	156-0158-04	A	.400	CR													
	156-0158-05	A	.230	CR													
	156-0158-07	A	.230	CR													
1558P	156-1607-00	N	.460	CR	5.		500.	200.		70.		.5	22.	Yes	Dual 741 with High V _{SS}	8 DIP	
3900	156-1016-00	A	.340	CR	NA		200.	±10.0% of I _B	.3% of I _B	70.	2.5	.5	16.	Yes	Quad, Current Differential	24 DIP	
4560	156-2702-00		.230	CR	6.		500.	200.		70.					Dual, High Output Current	8 DIP	

VOLTAGE FOLLOWER

Vendor Number	Part Number	Codes ^a			VOS Max (mV)	VOS Drift Max (μV/°C)	I _B Max (nA)	I _{OS} Max (nA)	I _{OS} Drift (nA/°C)	Cmrr Min (dB)	BW Typ (MHz)	Slew Rate Typ (V/μS)	Supply Voltage Max (+V)	Internal Comp	Remarks	Case Style
		ND	Cost	ST												
302	156-0060-00	A	.820	CR	15.	20. Typ	30.	NA		NA	2.5	10.	18.	Yes	High Slew Rate Tek Selected - 100% Tested	TO-99
	156-0060-01	A		NP												
LH0033CG	156-0475-00	A	11.750	CS	20.	25.	.15	NA		NA	100.	1400.	20.	NA	FET Input Buffer Amp	TO-8

^a The nominal price (at time of printing) is listed in the cost column. For ND Codes (New Design Recommendations) and Status Codes, see tab marked CODES in the back of this catalog.

OP AMP HIGH SPEED

Vendor Number	Part Number	Codes ^a			VOS Max (mV)	VOS Drift Max (μV/°C)	I _g Max (nA)	I _{OS} Max (nA)	I _{OS} Drift (nA/°C)	Cmrr Min (dB)	BW Typ (MHz)	Slew Rate Typ (V/μS)	Supply Voltage Max (+V)	Internal Comp	Remarks	Case Style
		ND	Cost	ST												
227GN	156-2620-00		10.500	PP	.08		40.	.35		114.	5. ^b	1.7 ^b	22.		Dual Low Noise Low Offset, Wide Band Width	14 DIP
318	156-0742-00	A	.460	CR	10.		500.	200.		70.	15.	50.	20.	Yes	High Slew Rate	8 DIP
	156-0742-02	A	.650	CR											Burn-in	
	156-0742-03	U	.560	CR											T.I. Only, Screened	
HA2525/ AD509	156-2490-00		14.000	EN	8.	30.	200.	25.		80.	20.	100.		Yes	Monolithic	TO-99/ TO-78
2625	156-0317-00	A	3.900	CR	5.		25.	25.		74.	100.	20.	22.5	No	Wide Band Width	TO-99
	156-0317-01		5.670	CR												
	156-0317-02	A	3.550	CS											Tighter Offset Voltage Drift	
	156-0317-03	A	4.650	CR											Tek Selected - 100% Burn-in	
2655	156-0977-00	A	2.740	CS	5.		200.	60.		74.	8.	2.	20.	Yes	Dual, Screened	TO-99
3030A 3030	156-0108-00	A		OB	2.		6000.	1600.		80.	60.	7.	20.	Yes		14 DIP
	156-0136-00	A	.750	CR	5.		24000.	5000.		80.	60.	7.	12.	No	High Input Current	14 DIP
5532	156-1272-00	A	.833	CR	4.		800.	150.		70.	10.	9.	22.	Yes	Dual, Low Noise, Hi Drive, Ceramic Pkg	8 DIP
	156-1272-01		.360	PP											Plastic Pkg.	
5533	156-1446-00	A	1.680	CR	4.		1500.	300.		70.	10.	13.	22.		Dual, Low Noise, High Drive	14 DIP
	156-1446-01	A	2.390	CR											Guaranteed Noise Specifications	
	156-1446-02	A	1.850	CR											Ceramic Package with Burn-in	
5534	156-1338-00	A	.350	CR	4.		1500.	300.		70.	10.	13.	22.		Low Noise, High Drive	8 DIP
	156-1338-01	A	.950	CR											Guaranteed Noise Specifications	
	156-1338-02	A	.570	CR											Burn-in	
HA1-2539	156-2804-00		2.400	CR	15.		.02	.006		60.	8.7	550.			Wide Band	14 DIP
HA1-2541	156-2874-00		5.400	PP	2.		.025	.007		70.		200.			Wide Band, Fast Settling, Unity Gain Stable, Bi-polar.	14 DIP
HA7-5002	156-2848-00		4.900	PP	20.	10.	7000.			54.	110.	1300.	44.		Monolithic, Wide Band, High Output Current Buffer	8 DIP

^a The nominal price (at time of printing) is listed in the cost column. For ND Codes (New Design Recommendations) and Status Codes, see tab marked CODES in the back of this catalog.

^b Minimum values.

OP AMP PRECISION

Vendor Number	Part Number	Codes ^a			V _{OS} Max (mV)	V _{OS} Drift Max (μV/°C)	I _B Max (nA)	I _{OS} Max (nA)	I _{OS} Drift (nA/°C)	Cmrr Min (dB)	BW Typ (MHz)	Slew Rate Typ (V/μS)	Supply Voltage Max (+V)	Internal Comp	Remarks	Case Style
		ND	Cost	ST												
OP-05	156-1863-00	A	7.680	CR	.5		4.	3.8								
	156-1863-01	A	6.950	CR												
OP-07	156-1582-00	A	1.760	CR	.15		7.	6.		100.	.6	.17	22.			8 DIP
OP-10	156-1532-00	A		OB	1.3		7.	6.		100.	.6	.17	22.			14 DIP
11CLH	156-1644-00	A	.980	CR	5.	3.	.2	.025		96.			40.			TO-89
11CH	156-1978-00		2.500	CR	.6	5.	10.	1.	.3	110.			40.			TO-99
	156-1978-01		2.778	CR												
OP-11050Y	156-1537-00	A	3.600	CS	.5	10.	300.	20.	.1	100.	2.	1.	22.			14 DIP
OP-14	156-1843-00	A	3.750	CR	.75		50.	5.0		85.	1.3	.5	22.			Dual
OP-20	156-1588-00	A	1.650	CR	.6	1.5	25.	2.5		96.			18.			Chip
	156-1588-01	U		DL												
OP-27	156-1851-00	A	2.250	CR	.1	1.5	80.	75.		100.	5.	1.7	22.			8 DIP
OP-27	156-2708-00			EN												
OP-37EZ	156-2887-00		6.550	CR	.025		40.	35.		114.	40.	11.	22.			8 DIP
OP77EZ	156-2886-00		5.400	CR	25.μV		2.	1.5		1. μV/V	.4	.1	22.			8 DIP
308	156-0223-00	A	.550	CR	7.5	30.	7.	1.	.01	80.	1.+	.3	18.	No		TO-99
	156-0223-01	A	.640	CR												
308N	156-0512-00	A	.485	CR	7.5	30.	7.	1.	.01	80.	1.+	.3	18.	No		8 DIP
	156-0512-01	A	.300	CR												
	156-0512-02	A	.480	CR												
	156-0512-03	A	.380	CR												
308AN	156-0854-00	A	.390	CR	.5	5.	7.	1.	.01	96.	1.+	.3	18.	No		8 DIP
	156-0854-01	A	.460	CR												
321H	156-0420-00	A	3.780	CR	1.5	1.	18.	2.	.003	114.	2.		20.	No		TO-99
321AH	156-0918-00	A	5.250	CR	.4	.2	15.	.5	.003	126.	2.		20.	No		TO-5
521K	156-1564-00	A		OB	5.		40.	10.				10.	15.			14 DIP
725	156-0685-00	N	1.150	CS	2.5	.6 ^b	125.	35.	.01	115. ^b	1.		22.	No		8 DIP
	156-0685-03	N	1.800	CR												
1001CN8	156-2577-00	A	2.600	PP	.06	1.	4.	3.8		110.	.4	.1	22.	Yes		8 DIP
LT1007	156-2775-00			EN												
1013CN8	156-3095-00			EN												
1456	156-0200-00	A	.550	CR	10.		30.	10.		70.	1.	2.5	18.	Yes		8 DIP
	156-0200-01	U	.550	CR												8 DIP
	156-0200-02	A	.580	CR												
5135-5	156-2619-00	U	3.610	PP	.075	1.3	4.	4.	.04	106.	.6	.5	20.			8 DIP

^a The nominal price (at time of printing) is listed in the cost column. For ND Codes (New Design Recommendations) and Status Codes, see tab marked CODES in the back of this catalog.

^b Nominal values.

OP AMP (cont)

FET INPUT

Vendor Number	Part Number	Codes ^a			VOS Max (mV)	VOS Drift Max (μV/°C)	I _B Max (nA)	I _{OS} Max (nA)	I _{OS} Drift (nA/°C)	Cmrr Min (dB)	BW Typ (MHz)	Slew Rate Typ (V/μS)	Supply Voltage Max (+V)	Internal Comp	Remarks	Case Style
		ND	Cost	ST												
LH0042CH	156-0335-00	N	3.100	CR	20.	10.	.05	.01	b	70.	1.	1.	15.		Screened	TO-99
	156-0335-01		4.100	CR												
TL062CP	156-1291-00	A	.510	CR	15.	10.	.4	.2	b	70.	.5 Min	2. Min	18.	Yes	J-FET Input, Low Power, Screened	8 DIP
353N	156-1191-00	A	.340	CR	10.		.2	.1	b	70.	3.	13.	18.	Yes	Dual Bi-FET	8 DIP
	156-1191-01	A	.440	CR											Tek Selected - 100% Tested of -00	
	156-1191-02	A	.410	CR												
347N	156-1200-00	A	.590	CR	10.	10.	.2	.1	b	70.	3.	13.	18.	Yes	Quad Bi-FET	14 DIP
	156-1200-01	A	.660	CR											Burn-in	
	156-1200-02	A		EN												
351N	156-1149-00	A	.200	CR	10.	10.	.2	.1	b	70.	4.	13.	18.	Yes	Low Cost, JFET Input	8 DIP
	156-1149-01	A	.200	CR											Tek Selected - 100% Tested of -00	
160842	156-0770-00	N	.680	CR	10.	5.	.2	.05	b	80.	5.	12.	18.	Yes	JFET Input	TO-99
	156-0770-02	N	.860	CR											Burn-in	
356N	156-1156-00	A	.400	CR	10.	5.	.2	.05	b	80.	5.	7.5	18.	Yes	JFET Input, Monolithic	8 DIP
	156-1156-01	A	.500	CR											Burn-in	
412A	156-1688-00	U	3.300	PP	1.	10.	.2	.1		70.	4.	15.	18.	Yes	Dual, Low Offset	
412CN	156-1699-00	A	.660	CR	3.	20.	.2	.1		70.	4.	15.	18.	Yes	Low Offset Dual Bi-FET	8 DIP
34083AP	156-2985-00		.870	PP	1.		.2	.1		75.	12.	40.	44.	No	BIFET, Dual, Decompensated	8 DIP
547LH	156-2266-00		9.950		.25	1.	.025			80.	1.	3.	18.		Bi-FET Ultra Low Drift	TO-99
5160-5	156-2214-00		7.060	CR	3.	20.	.05	.01		74.	100.	120.	20.		J-FET Input High Slew Rate	TO-99
	156-2214-01			EN												
5162-5	156-2485-00	U	3.300	CR	15.	35.	.065	.01		70.		50.	20.	No	J-FET Input, Wide Band	TO-99
34084AP	156-2817-00		1.350	PP	8.	10.	4.	2.		75.		25.	44.	Yes	J-FEG, Input	14 DIP
34085AP	156-2614-00	A	1.300	PP	6.		.2	.1		75.	12.	40.	22.		Quad Bi-FET Decompensated	16 DIP
271AC	156-2469-00		.480	CR	5.		.15	.1		70.			18.	Yes	MOS-FET Input, CMOS Output	8 DIP
27L2ACP	156-2346-00			DL	5.		.15	.1		70.			18.	Yes	Dual MOS-FET Input, CMOS Output	8 DIP
27L4ACN	156-2171-00		.950	CR	5.		.15	.1		70.			18.	Yes	Quad MOS-FET Input, CMOS Output	14 DIP
542J	156-1492-00	A	2.200	CR	2.	20.	.05	.005		76.	1.	3.	18.	Yes	Monolithic FET Input	TO-99
	156-1492-01	A	2.650	CR											Burn-in	
542LH	156-1741-00	U	7.600	CR	.5	5.	.025	.002		80.	1.	3.	18.		Monolithic FET-Input Bi-FET, Coated	TO-99
	156-1741-01	U	7.878	CR												
545KH	156-1838-00	A	8.000	CR	1.	15.	.01			70.			18.		Extremely Low I _B	TO-99
	156-1838-01	A	8.278	CR											Coated with Dow 1107	
3130	156-0686-00	A	.740	PP	15.	10.	.05	.03		70.	15.	30.	8.	No	MOS-FET Input, CMOS Output	TO-5
	156-0686-01	N		PP											Tek Selected - 100% Test of -00	
	156-0686-02	A	1.070	CR											Burn-in	
3140E	156-1134-00	A	.440	CR	15.	8.	.05	.03		70.	4.5	9.	18.	Yes	MOS-FET Input, Burn-in	8 DIP
3140AE	156-1134-01	U	.580	CR	5.		.04	.02							Plastic Package, Not Burn-in	
	156-1134-02		1.269	CR											Screened	
3140S	156-0921-00	A	.700	CR	15.	8.	.05	.03		70.	4.5	9.	18.	Yes	MOS-FET Input	TO-5
	156-0921-01	A	.870	CR											Burn-in	Burn-in
	156-0921-02	A	.870	CR												
3160	156-1114-00	A	.420	CR	15.	8.	.05	.03		70.	4.	10.	8.	Yes	MOS-FET Input, CMOS Output	8 DIP
	156-1114-01	A	.600	CR											Burn-in	
3240E	156-1422-01		1.480	PP	15.			.03		70.	4.5	9.	36.		Dual, MOS-FET Input	8 DIP
HA2-5180-5	156-2862-00		5.140	PP	3.	5.	1000 fa	200 fa		90.	110 KHz				J-FET Input, Monolithic	TO-99 8 Pin
411 ANC	156-2885-00		1.750	PP	.5	10.	.002	.001		80.	3.	10.			J-FET-Input, High Speed	8 DIP
34082AP	156-2873-00		1.080	CR	1.		.2	.1		75.	6.	20.	44.		Bi-FET Input, Dual	8 DIP
AD523	156-0516-00		28.200	CR	50.	30.	.001			80.		3.	15.		J-FET Input, Monolithic	TO-99

^a The nominal price (at time of printing) is listed in the cost column. For ND Codes (New Design Recommendations) and Status Codes, see tab marked CODES in the back of this catalog.

^b Bias current doubles every 10 degrees C.

OP AMP (cont)

MISCELLANEOUS

Vendor Number	Part Number	Codes ^a			VOS Max (mV)	VOS Drift Max (μV/°C)	I _B Max (nA)	I _{OS} Max (nA)	I _{OS} Drift (nA/°C)	Cmrr Min (dB)	BW Typ (MHz)	Slew Rate Typ (V/μS)	Supply Voltage Max (+V)	Internal Comp	Remarks	Case Style
		ND	Cost	ST												
AMP01	156-2261-00		16.900	CR	.05	100.	3.	1.		85.		3.5 Min	18.		Monolithic Instrumentation Coated with Dow 1107	18 DIP
	156-2261-01		17.178													
10CN	156-1719-00	A	1.500	CR	4.	5.	30.	2.	.005 ^b	90.			45.	Yes	Op Amp and Voltage Reference	8 DIP
171J	156-0532-00	A	126.000	CR	1.	50.	.05			100.	3.	10.	140.	Yes	High Voltage: 140 V	Brick
457	156-1653-00	A		DL	26.								26.	No	Dual Power Amplifier Hybrid	Brick
727	156-0260-00	A	27.500	CR	10.	3.	75.	25.	.002	70.	1. +		18.	No	Differential Preamplifier, Temperature Compensated	TO-100
1436CG	156-0400-00	A	.520	CR	12.		90.	25.		50.	1.	2.	30.	Yes	High Voltage: 30 V	TO-99
1436U	156-2514-00		.480	CR	10.		40.	10.		70.		10.	30.		High Voltage	8 DIP
2030AH	156-1760-00	A	1.600	CR	20.		2000.	200.		40.	2.	6.	22.	No	Monolithic Power Amplifier	TO-220
	156-1760-02		3.680	PP											5-pin Vertical Mount	
3051	156-0095-00	A	.650	PP	5.		500.	70.					20.		Dual Differential	14 DIP
3080	156-0356-00	A	.640	CR	5.	50.	5000.	600.		80.	2.	50.	18.	Yes	Variable Transconductance	TO-99
	156-0356-01	A	.670	CR											Burn-in	
3080A	156-0936-00	A	1.060	CR	2.		5000.	600.		80.	2.	50.	18.	Yes	Transconductance	TO-5
23080-5	156-1551-00	X	1.940	LR	2.	18.	5000.	600		80.	2.	50.	18.	Yes	Variable Transconductance	8 DIP
3080E	156-0912-00	A		OB	5.		5000.	600.		80.	2.	50.	18.	Yes	Transconductance	8 DIP
	156-0912-01		.600	CR												
	156-0912-02		.600	CR											Burn-in	
HA3471	156-2780-00		1.060	PP	5.	5.	300.	50.		80.	2.5	1.6			Quad	14 DIP
3627AM	156-2781-00		9.850	PP	.25	30.	14000.			90.		.6			Differential Monolithic Committed-gain, High Accuracy	TO-99
LH0022CH	156-0484-00		6.750	CR	6.	15.	.025	.005		70.		1.	22.			TO-99

^a The nominal price (at time of printing) is listed in the cost column. For ND Codes (New Design Recommendations) and Status Codes, see tab marked CODES in the back of this catalog.

^b Bias current doubles every 10 degrees C.

LINEAR CASE DRAWINGS

<p style="text-align: center;">VOLTAGE REGULATOR TO-3</p>	<p style="text-align: center;">VOLTAGE REGULATOR TO-39</p>	<p style="text-align: center;">VOLTAGE REGULATOR TO-92</p>																																					
<p style="text-align: center;">VOLTAGE REGULATOR TO-46</p>	<p style="text-align: center;">VOLTAGE REGULATOR TO-52</p>																																						
<p style="text-align: center;">TO-99</p>	<table border="1" style="width: 100%; border-collapse: collapse;"> <thead> <tr> <th style="text-align: center;">Pin Number</th> <th style="text-align: center;">311</th> <th style="text-align: center;">710C</th> <th style="text-align: center;">3028A</th> </tr> </thead> <tbody> <tr> <td style="text-align: center;">1</td> <td>Ground</td> <td>Ground</td> <td>Input High</td> </tr> <tr> <td style="text-align: center;">2</td> <td>Input</td> <td>Input</td> <td>Current Source Base</td> </tr> <tr> <td style="text-align: center;">3</td> <td>Input</td> <td>Input</td> <td>Substrate & Case</td> </tr> <tr> <td style="text-align: center;">4</td> <td>V-</td> <td>V-</td> <td>Current Source Emitter</td> </tr> <tr> <td style="text-align: center;">5</td> <td>Balance</td> <td>No Conn.</td> <td>Input Low</td> </tr> <tr> <td style="text-align: center;">6</td> <td>Balanced Strobe</td> <td>No Conn.</td> <td>Output High</td> </tr> <tr> <td style="text-align: center;">7</td> <td>Output</td> <td>Output</td> <td>AGC</td> </tr> <tr> <td style="text-align: center;">8</td> <td>V+</td> <td>V+</td> <td>Output Low</td> </tr> </tbody> </table>			Pin Number	311	710C	3028A	1	Ground	Ground	Input High	2	Input	Input	Current Source Base	3	Input	Input	Substrate & Case	4	V-	V-	Current Source Emitter	5	Balance	No Conn.	Input Low	6	Balanced Strobe	No Conn.	Output High	7	Output	Output	AGC	8	V+	V+	Output Low
Pin Number	311	710C	3028A																																				
1	Ground	Ground	Input High																																				
2	Input	Input	Current Source Base																																				
3	Input	Input	Substrate & Case																																				
4	V-	V-	Current Source Emitter																																				
5	Balance	No Conn.	Input Low																																				
6	Balanced Strobe	No Conn.	Output High																																				
7	Output	Output	AGC																																				
8	V+	V+	Output Low																																				

LINEAR CASE DRAWINGS (cont)

TO-100

Pin No.	LM171	319	529	723C	733	1496	68534
1	Input High	Output 1	Input 1	Current Sense	Input	+ Signal In	V+
2	Bias	Ground	Input 2	Inverting Input	Input	Gain Adjust	Non-Inv. Input
3	Ref. Voltage	+ Input 1	V-	Non-Inverting Input	Gain Sel	Gain Adjust	Invert. Input
4	Curr. Source Bias	- Input 1	Strobe 2	V Ref	Gain Sel	-Signal In	Latch Enable
5	Ground	V-	Output 2	Ground	V-	Bias	V-
6	Curr. Source Base	Output 2	Ground	V Out	Output 2	+ Output	NC
7	Input Low	Ground 2	Output 1	V _c	Output 1	+ Carr. Output	Q
8	Output High	+ Input 2	Strobe 1	V _{cc}	V+	- Carr. Input	Q
9	BiasTap	- Input 2	V _{cc}	Freq./Compensation	Gain Sel	-Output	Ground 2
10	Output Low	V+	V+	Current Limit	Gain Sel	V-	Ground 1

TO-101

TO-220

POSITIVE 7800 SERIES
1 Input
2 Ground
3 Output

NEGATIVE 7900 SERIES
1 Ground
2 Input
3 Output

	LEADS		
	1	2	3
SCR	MT ₁	MT ₂	G
Power	B	C	E
FET	G	D	S

TO-202

	LEADS			
	1	2	3	4
Power (A)	E	B	C	
Power (B)	B	C	E	
SCR	C	A	G	A

SECTION 9

TABLE OF CONTENTS

	Page
TEK PART NUMBER TO VENDOR NUMBER	9-2
VENDOR NUMBER TO TEK PART NUMBER	10-1

CATALOG WRITER: SANDRA PHILLIPS, 629-3029

TEK PART NUMBER TO VENDOR NUMBER

Part Number	Codes ^a		Vendor	Vendor No.	Type	Page
	ND	ST				
062-2318-00		CR			Technical Sheet	6-42
062-2985-00		CS			Technical Sheet	6-42
062-3448-00		EN			Technical Sheet	6-42
062-3728-00		CS			Technical Sheet	6-42
062-3798-00	U	EN			Technical Sheet	6-42
062-3919-00	U	EN			Technical Sheet	6-42
062-3919-01		EN			Technical Sheet	6-42
062-3919-02		EN			Technical Sheet	6-42
062-3924-00			EN		Technical Sheet	6-42
062-3942-00	U	EN			Technical Sheet	6-42
062-3953-00	U	EN			Technical Sheet	6-42
062-4099-00	U	EN			Technical Sheet	6-42
062-4113-00	U	EN			Technical Sheet	6-42
062-4170-00	N	EN	Synertek	SYC2332	Memory Selection Guide	2-5
062-4171-00	N	EN	AMI	6831BC/E	Memory Selection Guide	2-5
062-4171-01	N	EN	AMI	6831BP	Memory Selection Guide	2-5
062-4172-00	N	EN	Signetics	2632FN	Memory Selection Guide	2-5
062-4173-00	X	EN	Motorola	MCM68A308L	Memory Selection Guide	
			Elec Arrays	P8308A		
062-4174-00	X	EN	Motorola	MCM68A316E/L	Memory Selection Guide	
062-4175-00	N	EN	Advanced Micro Devices	AM9208DC	Memory Selection Guide	2-5
062-4176-00	X	EN	Signetics	82S291FN	Memory Selection Guide	
062-4177-00	N	EN	Motorola	MCM6832L	Memory Selection Guide	2-5
062-4178-00	X	EN	Signetics	2607FN	Memory Selection Guide	
062-4179-00	X	EN	Signetics	N2616N	Memory Selection Guide	
062-4180-00	X	EN	Motorola	MCM66700	Memory Selection Guide	
062-4181-00	X	EN	General Instruments	RO-3-2513	Memory Selection Guide	
062-4182-00	A	EN	Texas Instruments	TMS4732J	Memory Selection Guide	2-5
			Motorola	MCM68A332		
062-4182-01	A	EN	Texas Instruments	TMS4732N	Memory Selection Guide	2-5
062-4188-00	U	EN			Technical Sheet	6-42
062-4325-00	N	EN	Mostek	MK36000P/J-4	Memory Selection Guide	2-5
062-4325-01	N	EN	Mostek	MK36000N-4	Memory Selection Guide	2-5
062-4385-00	U	EN			Technical Sheet	6-42
062-4385-01	U	EN			Technical Sheet	6-42
062-4497-00	X	EN	Elec Arrays	EA43356	Memory Selection Guide	
			Elec Arrays	EA43357		
			Elec Arrays	EA4000		
062-4498-00		EN			Technical Sheet	
062-4499-00	X	EN	American Micro Systems	S4264	Memory Selection Guide	
062-4501-00	X	EN	National Semiconductor	52415	Memory Selection Guide	
			National Semiconductor	MM52145		
062-4502-00	X	EN	American Micro	S4216	Memory Selection Guide	
062-4503-00	N	EN	Mostek	MK36000P/J-5	Memory Selection Guide	2-5
062-4503-01	N	EN	Mostek	MK36000N-5	Memory Selection Guide	2-5
062-4504-00	N	EN	Motorola	MCM68A332	Memory Selection Guide	2-5
062-4558-00	X	EN	Synertek	SYC2316A	Memory Selection Guide	
062-4576-00	X	EN	Intel	C8316A	Memory Selection Guide	
062-4584-00	U	EN			Technical Sheet	
062-4585-00	N	EN	National Semiconductor	MM5214	Memory Selection Guide	2-6
062-4586-00	N	EN	General Instruments	8316A	Memory Selection Guide	2-5
062-4587-00	X	EN	National Semiconductor	DM8598NA	Memory Selection Guide	
062-4588-00	U	EN	National Semiconductor	DM74188CHJ/N	Memory Selection Guide	
			Texas Instruments	SN7488AJ		
062-4589-00	N	EN	Signetics	N8205N	Memory Selection Guide	2-5
062-4590-00	X	EN	National Semiconductor	MM5243	Memory Selection Guide	
062-4591-00	N	EN	Motorola	MCM6590L	Memory Selection Guide	2-5
062-4592-00	N	EN	National Semiconductor	MM5213	Memory Selection Guide	2-6
062-4593-00	X	EN	Signetics	N2530	Memory Selection Guide	
062-4654-00	N	EN	National Semiconductor	MM52132	Memory Selection Guide	2-5

^a For ND Codes (New Design Recommendations) and Status Codes, see tab marked CODES in the back of this catalog.

TEK PART NUMBER TO VENDOR NUMBER (cont)

Part Number	Codes ^a		Vendor	Vendor No.	Type	Page
	ND	ST				
062-4670-00	N	EN	Synertek	SYC2333	Memory Selection Guide	2-5
062-4670-01	N	EN	Synertek	SYC2333	Memory Selection Guide	2-5
062-5456-00	X	EN	NEC America	UPD23640	Memory Selection Guide	
062-5457-00	N	EN	Synertek	SYC2364	Memory Selection Guide	2-5
062-5549-00	N	EN	Elec Arrays	EA8332A-DC	Memory Selection Guide	2-5
062-5549-01	N	EN	Elec Arrays	EA8332A-PC	Memory Selection Guide	2-5
062-5863-00	U	EN			Technical Sheet	6-42
062-5863-01	U	EN			Technical Sheet	6-42
062-5875-00	U	EN			Technical Sheet	6-42
062-5876-00	U	EN			Technical Sheet	6-42
062-5879-00	N	EN	Motorola	68B3641	Memory Selection Guide	2-5
062-5879-01	A	EN	Motorola	MCM68364-25	Memory Selection Guide	2-5
062-6180-00	U	EN			Technical Sheet	6-42
062-6180-01	U	EN			Technical Sheet	6-42
062-6745-00	U	EN			Technical Sheet	6-42
062-7071-00	A	EN	Motorola	MCM68364-30	Memory Selection Guide	2-5
062-7071-01	A	EN	Motorola	MCM68364-30	Memory Selection Guide	2-5
062-7418-00		DL		LL7000	Technical Sheet	
062-7662-00	A	CR	Mostek	MK30000N-25	Memory Selection Guide	2-6
062-8159-00		EN		TC17G000	Technical Sheet	
062-8273-00		EN			Technical Sheet	6-42
119-0848-00	A	CS	Dysan	DYSAN101/1	Flexible Disks	2-17
119-0967-00	A	CR	Dysan	3740/1800944	Flexible Disks	2-17
119-1011-00	A	CR	Dysan	10111D800904	Flexible Disks	2-17
119-1182-00	A	CR	Dysan	3740/2D800901	Flexible Disks	2-17
119-1376-00	A	CR	Dysan	3740/1D800903	Flexible Disks	2-17
119-1717-00		CR	Qume	QT242	Flexible Disks	2-17
156-0001-00	X	CS		SL6083/960DC		
156-0002-00	X	LS	Motorola	MC358AG		
156-0003-00	X	LS	Motorola	MC357G		
156-0004-00	X	LS		MC354G		
156-0005-00	X	NP		CUL958		
156-0006-00	X	LS	Motorola	MC360G		
156-0007-00	X	LS		MC352G		
156-0008-00	U	DL		MC355G		
156-0009-00	U	DL				
156-0010-00	X	CS	Fairchild	HL18292		
156-0011-00	N	LR	Fairchild	HL18341		
156-0012-00	N	LR	Fairchild	HL18293		
156-0013-00	A	CR	Fairchild National Semiconductor	SL21770 LM710CH	Special Function	7-8
156-0014-00	N	LS	Teledyne	831-BE	Linear	
156-0015-00	N	CS	Fairchild Raytheon	UA709HC RC709T	Linear	
156-0016-00	X	LS		9997DC		
156-0017-00	N	CS	RCA	CA3015	Operational Amp	
156-0018-00	X	LR		MC817P		
156-0019-00	X	LR		MC822P		
156-0020-00	X	LR		MC824P		
156-0021-00	X	LR		MC889P		
156-0021-01	X	LS		MC889P		
156-0022-00	X	LR	Motorola	MC1012P		
156-0023-00	X	LR		MC1001P		
156-0024-00	X	LR		MC1004P		
156-0025-00	X	LR		MC1010P		
156-0025-01	X	DL		MC1010		
156-0026-00	U	DL			Hybrid	
156-0027-00	U	DL		NATLM201	Operational Amp	
156-0028-00	X	LS		MC26P		
156-0029-00	N	NP		9016DC	TTL	

^a For ND Codes (New Design Recommendations) and Status Codes, see tab marked CODES in the back of this catalog.

TEK PART NUMBER TO VENDOR NUMBER (cont)

Part Number	Codes ^a		Vendor	Vendor No.	Type	Page
	ND	ST				
156-0030-00	N	NP	Fairchild National Semiconductor Signetics Texas Instruments	7400PC/DC DM8000N/J N7400N/F SN7400N/J 7400	TTL	
156-0030-01	N	NP		7400	TTL	
156-0030-02	N	NP		7400	TTL	
156-0030-03	N	CR	Fairchild National Semiconductor Signetics Texas Instruments	7400PCQR/DCQR DM8000NA + /JA + N7400NB/FB SN7400NP3/JP4	TTL	6-14
156-0031-00	N	NP	Fairchild National Semiconductor Signetics Texas Instruments	7454PC DM7454N N7454A SN7454N 7454	TTL	
156-0031-01	N	NP		7454	TTL	
156-0031-02	X	CR	National Semiconductor Texas Instruments	DM7454NA + /JA + SN7454NP3/JP4	TTL	6-16
156-0032-00	N	NP	Fairchild National Semiconductor Signetics Texas Instruments	7493PC DM7493N N7493A SN7493N	TTL	
156-0032-01	N	NP		7493	TTL	
156-0032-02	N	NP	National Semiconductor Signetics	DM7493NA + /JA + N7493NB/FB	TTL	
156-0032-03	N	CR	Fairchild National Semiconductor Signetics Texas Instruments	7493DCQR/PCQR DM7493NA + /JA + N7493NB/FB SN7493NP3/JP4	TTL	6-5
156-0033-00	A	CR	RCA	CA3028A	Linear	8-3
156-0033-01	U	DL	RCA	CA3028A	Linear	
156-0034-00	N	NP	Fairchild National Semiconductor Signetics Texas Instruments	7420PC DM7420N N7420A SN7420N	TTL	
156-0034-01	N	NP		7420	TTL	
156-0034-02	N	CR	Fairchild National Semiconductor Signetics Texas Instruments	7420PCQR/DCQR DM8020NA + /JA + N7420NB/FB SN7420NP3/JP4	TTL	6-15
156-0035-00	N	NP	Fairchild National Semiconductor Signetics Texas Instruments	7430PC DM7430N N7430A SN7430N 7430	TTL	
156-0035-01	N	NP		7430	TTL	
156-0035-02	N	CR	Fairchild National Semiconductor Signetics Texas Instruments	7430PCQR/DCQR DM8030NA + /JA + N7430NB/FB SN7430NP3/JP4	TTL	6-16
156-0036-00	N	NP	Fairchild National Semiconductor Signetics Texas Instruments	7440PC DM7440N N7440A SN7440N	TTL	
156-0036-01	N	NP		7440	TTL	
156-0036-02	N	CR	Fairchild National Semiconductor Signetics Texas Instruments	7440PCQR/DCQR DM7440NA + /JA + N7440NB/FB SN7440NP3/JP4	TTL	6-3
156-0037-00	N	NP	Fairchild National Semiconductor Signetics Texas Instruments	7451PC DM7451N N7451A SN7451N 7451	TTL	
156-0037-01	N	NP		7451	TTL	

^a For ND Codes (New Design Recommendations) and Status Codes, see tab marked CODES in the back of this catalog.

TEK PART NUMBER TO VENDOR NUMBER (cont)

Part Number	Codes ^a		Vendor	Vendor No.	Type	Page
	ND	ST				
156-0037-02	N	CR	Fairchild National Semiconductor Signetics Texas Instruments	7451PCQR/DCQR DM7451NA + /JA + N7451NB/FB SN7451NP3/JP4	TTL	6-16
156-0038-00	N	NP	Fairchild National Semiconductor Texas Instruments	7472PC/DC DM7472N/J SN7472N/J	TTL	
156-0038-01	N	NP		7472	TTL	
156-0038-02	N	CR	Fairchild Signetics Texas Instruments	7472PCQR/DCQR N7472NB/FB SN7472NP3/JP4	TTL	6-13
156-0039-00	N	NP	Fairchild Signetics Texas Instruments	7473PC N7473A SN7473N	TTL	
156-0039-01	N	NP		7473	TTL	
156-0039-02	N	CR	Fairchild Signetics Texas Instruments	7473PCQR/DCQR N7473NB/FB SN7473NP3/JP4	TTL	6-13
156-0040-00	N	NP	Fairchild National Semiconductor Signetics Texas Instruments	7475PC DM7475N N7475N SN7475N	TTL	
156-0040-01	N	NP		7475	TTL	
156-0040-02	N	CR	Fairchild National Semiconductor Signetics Texas Instruments	7475PCQR/DCQR DM7475NA + /JA + N7475NB/FB SN7475NP3/JP4	TTL	6-18
156-0041-00	N	NP	Fairchild ITT Semiconductor National Semiconductor NEC America Signetics Texas Instruments	7474PC/DC ITT7474 DM7474N/J UPB7474C N7474AN/F SN7474N/J	TTL	
156-0041-01	N	NP		7474	TTL	
156-0041-02	N	CS		7474	TTL	
156-0041-03	X	NP		7474	TTL	
156-0041-04	X	DL	Geo Reliability National Semiconductor Nippon Elec Signetics Texas Instruments	156-0041-04 156-0041-04 156-0041-04 156-0041-04 156-0041-04	TTL	
156-0041-05	N	CR	Fairchild National Semiconductor Signetics Texas Instruments	7474PCQR/DCQR DM7474NA + /JA + N7474NB/FB SN7474NP3/JP4	TTL	6-13
156-0042-00	N	NP	Fairchild Signetics Texas Instruments	7476PC N7476B SN7476N	TTL	
156-0042-01	N	NP		7476	TTL	
156-0042-02	N	CR	Signetics Texas Instruments	N7476NB/FB SN7476NP3/JP4	TTL	6-13
156-0043-00	N	NP	Fairchild National Semiconductor Signetics Texas Instruments	7402PC DM7402N N7402A SN7402N	TTL	
156-0043-01	N	NP		7402	TTL	
156-0043-02	N	CS		7402	TTL	
156-0043-03	N	CR	Fairchild National Semiconductor Signetics Texas Instruments	7402PCQR/DCQR DM7402NA + /JA + N7402NB/FB SN7402NP3/JP4	TTL	6-14

^a For ND Codes (New Design Recommendations) and Status Codes, see tab marked CODES in the back of this catalog.

TEK PART NUMBER TO VENDOR NUMBER (cont)

Part Number	Codes ^a		Vendor	Vendor No.	Type	Page
	ND	ST				
156-0044-00	N	LS	Fairchild National Semiconductor Signetics Texas Instruments	MC890P	TTL	
156-0044-01	N	LS		MC890P		
156-0045-00	N	LS		MC892P		
156-0046-00	X	DL		MC8871		
156-0047-00	N	NP		7410PC DM7410N N7410A SN7410N		
156-0047-01	N	NP	Fairchild National Semiconductor Signetics Texas Instruments Trio-Tech	7410	TTL	6-15
156-0047-02	N	CR		F7410PCQR/DCQR DM7410NA + /JA + N7410NB/FB SN7410NP3/JP4	TTL	
156-0049-00	N	CR	Fairchild RCA	SL08871 CA741CT	Operational Amp	8-7
156-0049-01	N	NP	Fairchild Motorola National Semiconductor	A741C	Operational Amp	
156-0049-02	N	OT		UA741HCQR MC1741CGDS LM741CH/A +	Operational Amp	
156-0050-00	X	DL	Motorola Motorola	MC825P	MOS	8-6
156-0051-00	X	OB		TMS7C3003LA		
156-0051-01	X	NP		TMS37C3003LA		
156-0052-00	N	LR		MC1469R		
156-0052-01	N	NP		MC1469R		
156-0053-00	A	CR	Fairchild National Semiconductor Silicon General	SL21721 LM723CH SG9637-723	Linear	8-6
156-0053-01	A	CR	National Semiconductor Silicon General	LM723CH/A + SG723CT	Linear	8-6
156-0054-00	X	LR	Fairchild National Semiconductor Texas Instruments	MC1006P	MOS MOS ECL TTL	6-14
156-0055-00	X	OB		TMS7B3001LA		
156-0055-01	X	DL		TMS7B3001LA		
156-0056-00	X	NP		MC1023		
156-0057-00	N	NP		7401PC/DC DM8001N/J SN7401N/J		
156-0057-01	N	DL	Fairchild National Semiconductor Texas Instruments	SN7401N	TTL	6-14
156-0057-02	N	CR		7401PCQR/DCQR DM7401NA + /JA + SN7401NP3/JP4	TTL	
156-0058-00	N	NP	Fairchild Signetics Texas Instruments	7404PC N7404A SN7404N	TTL	
156-0058-01	N	NP	Fairchild Signetics Texas Instruments	7404	TTL	6-3
156-0058-02	N	CR		7404PCQR/DCQR N7404NB/FB SN7404NP3/JP3	TTL	
156-0059-00	N	LS		MC891P		
156-0060-00	A	CR	National Semiconductor	LM302H	Operational Amp	8-8
156-0060-01	A	NP	National Semiconductor	LM302H	Operational Amp	8-8
156-0061-00	N	NP	Fairchild National Semiconductor Signetics Texas Instruments	7442PC/DC DM7442N/J N7442N/F SN7442N/J	TTL	6-9
156-0061-01	N	NP	Fairchild National Semiconductor Signetics Texas Instruments	7442	TTL	6-9
156-0061-02	N	CR		7442PCQR/DCQR DM8842NA + /JA + N7442N/F SN7442N/J	TTL	6-9

^a For ND Codes (New Design Recommendations) and Status Codes, see tab marked CODES in the back of this catalog.

TEK PART NUMBER TO VENDOR NUMBER (cont)

Part Number	Codes ^a		Vendor	Vendor No.	Type	Page
	ND	ST				
156-0062-00	N	NP	Fairchild National Semiconductor Signetics Texas Instruments	7486PC/DC DM7486N/J N7486N/F SN7486N/J 7486	TTL	6-16
156-0062-01	N	NP			TTL	6-16
156-0062-02	N	CR	Fairchild National Semiconductor Signetics Texas Instruments	7486PCQR/DCQR DM7486NA+ /JA + N7486NB/FB SN7486NP3/JP4 MC1660S	TTL	6-16
156-0063-00	X	DL			ECL	
156-0064-00	N	DL		MC867P MC1437P		
156-0066-00	X	DL		UA741TC	Operational Amp	8-8
156-0067-00	A	CR	Fairchild Motorola NEC America RCA Texas Instruments	MC1741CP1 UPC741C 85145 MICROA741CP		
156-0067-01	N	CR	Motorola Signetics Texas Instruments	MC1741CP1DS UA741CN-B UA741CP3	Operational Amp	8-8
156-0067-02	N	CR	Nippon Elec RCA Signetics	UPC741C 85147 859N	Operational Amp	8-8
156-0067-03	N	CR	National Semiconductor	LM741CN/CJ	Operational Amp	8-8
156-0067-04	U	NP		741C	Operational Amp	
156-0067-05	N	CR	Precision	741C	Operational Amp	8-8
156-0067-06	N	CR	Motorola RCA Texas Instruments	MC1741CU 86485 UA741CJG	Operational Amp	8-8
156-0067-07	U	NP		741C	Operational Amp	
156-0067-08	N	CR	Analog Dev Precision	AD741KN OP02-083P	Operational Amp	8-8
156-0067-09	U	DL	Fairchild	SL25693	Operational Amp	
156-0067-10	N	CR	Motorola Signetics Texas Instruments	MC1741CP1DS UA741CN-B UA741CP3	Operational Amp	8-8
156-0067-11	N	CR	RCA	CA741CE	Operational Amp	8-8
156-0067-12	A	CR	Fairchild Motorola NEC America Precision Silicon General Texas Instruments	UA741RC ME1741CU UPC151D OP02-129E SG741CY UA741CJG	Operational Amp	8-8
156-0067-13	A	CR	Motorola NEC America Texas Instruments Trio-Technology	MC1741CUDS UPC151D UA741CJG4	Operational Amp	8-8
156-0069-00	A	CS	Motorola	MC1550G	Linear	8-3
156-0070-00	X	DL		RC4131	Linear	
156-0071-00	A	CR	Fairchild Motorola National Semiconductor Silicon General	UA723DC MC1723CL LM723CJ SG723CJ	Linear	8-6
156-0071-01	A	NP		723C	Linear	8-6
156-0071-02	A	CR	Fairchild Motorola Silicon General Trio-Technology	UA723PCQR MC1723CLDS SG723CJ/10305	Linear	8-6

^a For ND Codes (New Design Recommendations) and Status Codes, see tab marked CODES in the back of this catalog.

TEK PART NUMBER TO VENDOR NUMBER (cont)

Part Number	Codes ^a		Vendor	Vendor No.	Type	Page
	ND	ST				
156-0071-03	U	CR	National Semiconductor	LM723J	Linear	8-5
156-0072-00	N	NP	Silicon General Fairchild National Semiconductor Signetics Texas Instruments	SG723J/10873 74121PC/DC DM74121N/J N74121N/F SN74121N/J	TTL	
156-0072-01	N	NP		74121	TTL	6-20
156-0072-02	N	CR	Fairchild National Semiconductor Signetics Texas Instruments	74121PCQR/DCQR DM8852NA + /JA + N74121NB/FB SN74121NP3/JP4	TTL	
156-0073-00	N	NP	Fairchild National Semiconductor Signetics Texas Instruments	7496PC DM7496N N7496A SN7496N	TTL	
156-0073-01	X	NP		7496	TTL	
156-0073-02	N	OT	Fairchild National Semiconductor Signetics Texas Instruments	7496PCQR/DCQR DM7496NA + /JA + N7496NB/FB SN7496NP3/JP4	TTL	6-22
156-0074-00	A	CR	Fairchild	UA733C	Linear	8-3
156-0074-01	N	DL		733C	Linear	
156-0075-00	N	NP	Fairchild National Semiconductor	74151APC/DC DM74151AN/J	TTL	
156-0075-01	N	NP		74151	TTL	6-7
156-0075-02	N	CR	Fairchild National Semiconductor	74151APCQR/DCQR DM74151NA + /JA +	TTL	
156-0076-00	X	DL		SC8331P	ECL	8-8
156-0077-00	A	CR	Fairchild National Semiconductor	SL23750/UA301AHC LM301AH	Operational Amp	
156-0077-01	A	CS	Fairchild National Semiconductor	UA301AHCQR LA301AN/A +	Operational Amp	8-8
156-0078-00	N	NP	Fairchild National Semiconductor Signetics Texas Instruments	74154PC DM74154N N74154N SN74154N	TTL	
156-0078-01	N	NP		74154	TTL	6-5 & 9
156-0078-02	N	CR	Fairchild National Semiconductor Signetics Texas Instruments	74154PCQR/DCQR DM74154NA + /JA + N74154NP/FB SN74154NP3/JP4	TTL	
156-0079-00	N	NP	Fairchild National Semiconductor Signetics Texas Instruments	7490APC DM7490AN N7490A SN7490AN	TTL	
156-0079-01	N	NP		7490	TTL	6-5
156-0079-02	N	CR	Fairchild National Semiconductor Signetics Texas Instruments	7490PCQR/DCQR DM7490NA + /JA + N7490FII-B SN7490ANP3/JP4	TTL	
156-0080-00	X	OB	Fairchild National Semiconductor Texas Instruments	74141PC DM74141N SN74141N	TTL	
156-0080-01	N	OB		7441	TTL	
156-0081-00	N	NP	Fairchild National Semiconductor Signetics	9601PC/DC DM8850N N8T22N/F	TTL	
156-0081-01	N	NP		9601	TTL	6-20
156-0081-02	N	CR	Fairchild Motorola Signetics	9601PCQR/DCQR MC9601NDS/JDS 8T22NB/FB	TTL	
156-0082-00	U	OB	Fairchild	UA722	Linear	
156-0082-01	U	OB		9300PC	Linear	

^a For ND Codes (New Design Recommendations) and Status Codes, see tab marked CODES in the back of this catalog.

TEK PART NUMBER TO VENDOR NUMBER (cont)

Part Number	Codes ^a		Vendor	Vendor No.	Type	Page
	ND	ST				
156-0083-00	N	CR	Advanced Micro Devices	U6M930059X/ U7B930059X	TTL	6-22
			Fairchild	9300PC/DC		
156-0083-01	X			9300PC	TTL	6-6
156-0084-00	N	NP	Fairchild	U7B931059X	TTL	
156-0084-01	N	NP		9310PC	TTL	
156-0084-02	N	LS	Fairchild	9310PCQR/DCQR	TTL	
156-0085-00	X	CS	Fairchild	U7B932859X	TTL	6-6
156-0085-01	X	OB		9328	TTL	
156-0086-00	X	OB	Fairchild Signetics Texas Instruments	7480PC N7480A SN7480N	TTL	
156-0086-01	X	OB		7488	TTL	
156-0087-00	N	NP	Fairchild National Semiconductor Signetics Texas Instruments	SL81212 DM8283N/J N7483N/F SN7483AN/J	TTL	6-2
156-0087-01	N	NP		7483	TTL	
156-0087-02	N	CR	Fairchild National Semiconductor Signetics ^b Texas Instruments	7483PCQR/DCQR DM7483NA + /JA + N7483NB/FB SN7483NP3/JP4	TTL	
156-0088-00	N	NP	Fairchild National Semiconductor Signetics Texas Instruments	74180PC DM74180N N74180A SN74180N	TTL	6-17
156-0088-01	N	NP		74180	TTL	
156-0088-02	N	CR	Fairchild National Semiconductor Signetics Texas Instruments	74180PCQR/DCQR DM74180NA + /JA + N74193NB/FB SN74180NP3/JP4	TTL	6-17
156-0089-00	N	NP	Fairchild Signetics Texas Instruments	74193PC/DC N74193N/F SN74193N/J	TTL	6-6
156-0089-01	N	NP		74193	TTL	
156-0089-02	N	CR	Fairchild Signetics Texas Instruments	74193PCQR/DCQR N74193NB/FB SN74193NP3/JP4	TTL	
156-0090-00	X	DL			TTL	6-3
156-0091-00	X	DL	Signetics	N8292A	TTL	
156-0091-01	N	DL		8292	TTL	
156-0092-00	N	NP	Fairchild National Semiconductor Signetics Texas Instruments	7405PC/DC DM7405N N7405A SN7405N	TTL	
156-0092-01	N	NP		7405	TTL	6-3
156-0092-02	N	CR	Fairchild National Semiconductor Signetics Texas Instruments	7405PCQR/DCQR DM7405NA + /JA + N7405NB/FB SN7405NP3/JP4	TTL	
156-0093-00	N	NP	Fairchild National Semiconductor Signetics Texas Instruments	7416PC DM7416N N7416A SN7416N	TTL	6-3
156-0093-01	N	NP		7416	TTL	
156-0093-02	N	CR	Fairchild National Semiconductor Signetics Texas Instruments	7416PCQR/DCQR DM8016NA + /JA + N7416NB/FB SN7416NP3/JP4	TTL	
156-0094-00	N	NP		75451	TTL	

^a For ND Codes (New Design Recommendations) and Status Codes, see tab marked CODES in the back of this catalog.

^b Emergency Vendor only.

TEK PART NUMBER TO VENDOR NUMBER (cont)

Part Number	Codes ^a		Vendor	Vendor No.	Type	Page
	ND	ST				
156-0094-01	N	NP	National Semiconductor	75451	TTL	6-12
156-0094-02	U	CR		Texas Instruments	DS75451NA+/JA+ SN75451BP3/BJ4	
156-0095-00	A	CR	RCA	CA3051	Operational Amp	8-12
156-0096-00	A	CR	Motorola	LM311H	Special Function	7-5
			National Semiconductor	LM311H		
			Silicon General	SG311T		
			Texas Instruments	LM311L		
156-0096-01	A	NP	Motorola	LM311	Special Function	7-8
156-0096-02	A	CR		National Semiconductor	LM311HDS	Special Function
			Silicon General	LM311H/A+ SG311T		
156-0097-00	N	NP	Texas Instruments	SN74196N/J	TTL	6-6
156-0097-01	N	CR	Texas Instruments	SN74196NP3/JP4	TTL	
156-0098-00	N	NP	Fairchild	74153PC	TTL	6-7
			National Semiconductor	DM74153N		
			Signetics	N74153B		
			Texas Instruments	SN74153N		
156-0098-01	N	NP		74153	TTL	
156-0098-02	N	CR	Fairchild	74153PCQR/DCQR	TTL	
			National Semiconductor	DM74153NA+/JA+ N74153NB/FB		
			Signetics	SN74153NP3/JP4		
			Texas Instruments	CA3051	Linear	
156-0099-00	X					
156-0100-00	N	CR	Signetics	N74H102N/F	TTL	6-13
			Texas Instruments	SN74H102N/J	TTL	
156-0100-02	N	CS		74H102	TTL	6-5
156-0101-00	N	CR	National Semiconductor	DM74L93N/J	TTL	
			Texas Instruments	SN74L93N/J		
156-0101-01	X	OB		74L93	TTL	Memory Selection Guide
156-0102-00	X	DL	Texas Instruments	TMS4100	Memory Selection Guide	
156-0103-00	X			TMS4100	Memory Selection Guide	8-8
156-0104-00	X			TMS4100	Memory Selection Guide	
156-0105-00	A	CR	Motorola	LM301AN	Operational Amp	
			National Semiconductor	LM301AN		
			NEC America	UPC301AC		
			RCA	CA301AG		
			Texas Instruments	LM301AP		
156-0105-01	A	CS		LM301AN	Operational Amp	8-8
156-0105-02	A	CR	Motorola	LM301AJDS	Operational Amp	
			Texas Instruments	LM301AJG4		
156-0105-03	U	SC		UPC451C	Operational Amp	8-8
156-0105-04	A	CR	Texas Instruments	LM301AJG4	Operational Amp	
156-0107-00	A	OB		17084L	Operational Amp	8-9
156-0108-00	A	OB	RCA	CA3030AE	Operational Amp	
156-0110-00	N	NP	Fairchild	74155PC/DC	TTL	
			National Semiconductor	DM74155N/J		
			Signetics	N74155N/F		
			Texas Instruments	SN74155N/J		
156-0110-01	N	NP		74155	TTL	6-9
156-0110-02	N	CR	Fairchild	74155DCQR/PCQR	TTL	
			National Semiconductor	DM74155NA+/JA+ N74155NB/FB		
			Signetics	SN74155NP3/JP4		
			Texas Instruments			
156-0111-00	X	NP	Fairchild	74145PC	TTL	7-5
			National Semiconductor	DM74145N		
			Signetics	N74145B		
			Texas Instruments	SN74145N		
156-0111-01	N	NP		74145	TTL	

^a For ND Codes (New Design Recommendations) and Status Codes, see tab marked CODES in the back of this catalog.

TEK PART NUMBER TO VENDOR NUMBER (cont)

Part Number	Codes ^a		Vendor	Vendor No.	Type	Page
	ND	ST				
156-0111-02	A	CR	Fairchild National Semiconductor Signetics Texas Instruments	74145PCQR/DCQR DM74145NA + /JA + N741435NB/FB SN74145NP3/JP4	TTL	6-9
156-0112-00	N	NP	Fairchild National Semiconductor Signetics Texas Instruments	7426PC DM7426N N7426A SN7426N	TTL	6-16
156-0112-01	N	NP		7426	TTL	
156-0112-02	N	CR	Fairchild National Semiconductor Signetics Texas Instruments	7426PCQR/DCQR DM7426NA + /JA + N7426NB/FB SN7426NP3/JP4	TTL	6-16
156-0113-00	N	NP	National Semiconductor Texas Instruments	DM74L00N SN74L00N	TTL	6-14
156-0113-01	N	NP		74L00	TTL	
156-0113-02	N	NP		74L00	TTL	
156-0113-03	N	CR	National Semiconductor Texas Instruments	DM74L00NA + SN74L00NP3	TTL	6-14
156-0114-00	N	NP	Fairchild National Semiconductor Signetics Texas Instruments	SN7492PC/DC DM7492AN/J N7492N/J SN7492AN/J	TTL	
156-0114-01	N	NP		7492	TTL	
156-0114-02	N	CR	Fairchild National Semiconductor Signetics Texas Instruments	7492PCQR/DCQR DM7492NA + /JA + N7492NB/FB SN7492ANP3/JP4	TTL	6-5
156-0115-00	X	DL			Operational Amp	
156-0116-00	A	CR	National Semiconductor Texas Instruments	LM711CN UA711CN/CJ	Special Function	7-8
156-0117-00	N	NP	Fairchild Signetics Texas Instruments	74161PC/DC N74161N/F SN74161N/J	TTL	
156-0117-01	N	NP		74161	TTL	
156-0117-02	N	CR	Fairchild Signetics Texas Instruments	74161PCQR/DCQR N74161NB/FB SN74161NP3/JP4	TTL	6-5
156-0118-00	N	NP	National Semiconductor Texas Instruments	DM74S112N/J SN88792N/J	TTL	
156-0118-01	N	NP		74S112	TTL	
156-0118-02	X	CR	Texas Instruments	SN74S112N	TTL	6-13
156-0118-03	A	CR	National Semiconductor Signetics Texas Instruments	DM74S112JA + N74S112BIIB SN74S112JP3	TTL	6-13
156-0119-00	X	DL		MC411P	TTL	
156-0120-00	N	NP	Fairchild National Semiconductor Signetics Texas Instruments	7495PC/DC DM7495N/J N7495AN/F SN7495AN/J	TTL	
156-0120-01	N	NP		7495	TTL	
156-0120-02	N	CS	Fairchild Texas Instruments	7495PCQR/DCQR SN7495NP3/JP4	TTL	6-22
156-0121-00	A	CR	Motorola	MC4024P	Special Function	7-9
156-0121-01	X	DL		MC4024	TTL	
156-0121-02	N	CS	Motorola	MC4024PDS/LDS	Special Function	7-9
156-0122-00	N	CS	Signetics	NE531H/CC3807H	Operational Amp	8-8
156-0122-01	N	CR		NE531V	Operational Amp	
156-0123-00	N	NP	Fairchild National Semiconductor Signetics Texas Instruments	7485PC DM7485N N7485B SN7485N	TTL	

^a For ND Codes (New Design Recommendations) and Status Codes, see tab marked CODES in the back of this catalog.

TEK PART NUMBER TO VENDOR NUMBER (cont)

Part Number	Codes ^a		Vendor	Vendor No.	Type	Page
	ND	ST				
156-0123-01	N	NP		7485	TTL	
156-0123-02	N	CR	Fairchild National Semiconductor Signetics Texas Instruments	7485PCQR/DCQR DM7485NA + /JA + N7485NB/FB SN7485NP3/JP4	TTL	6-2
156-0124-00	A	CR	Motorola	MC4044	Special Function	7-9
156-0124-01	X	DL		MC4044	Special Function	
156-0124-02	N	CR	Motorola	MC4044PDS/LDS	Special Function	7-9
156-0125-00	N	NP	Fairchild National Semiconductor Signetics Texas Instruments	74157PC DM74157N N74157B SN74157N	TTL	
156-0125-01	N	NP		74157	TTL	
156-0125-02	N	CR	Fairchild National Semiconductor Signetics Texas Instruments	74157PCQR/DCQR DM74157NA + /JA + N74157NB/FB SN74157NP3/JP4	TTL	6-7
156-0127-00	N	NP	Fairchild Signetics Texas Instruments	74192PC/DC N74192N/F SN74192N/J 74192	TTL	
156-0127-01	N	NP		74192	TTL	
156-0127-02	N	LS	Fairchild Signetics Texas Instruments	74192PCQR/DCQR N74192NB/FB SN74192NP3/JP4	TTL	6-6
156-0128-00	N	NP	Fairchild National Semiconductor Texas Instruments	7447APC/DC DM7447AN/J SN7447AN/J	TTL	
156-0128-01	N	CR	National Semiconductor Texas Instruments	DM7447ANA + /JA + SN7447AN3/J4	TTL	6-9 & 10
156-0129-00	N	NP	Fairchild National Semiconductor Signetics Texas Instruments	7408PC/DC DM7408N/J N7408N/F SN7408N/J	TTL	
156-0129-01	N	NP		7408	TTL	
156-0129-02	N	CR	Fairchild National Semiconductor Signetics Texas Instruments	7408PCQR/DCQR DM8008NA + /JA + N7408NB/FB SN7408NP3/JP4	TTL	6-15
156-0130-00	A	CR	Motorola	MC1496G	Linear	8-3
156-0130-01	N	CR	Motorola Silicon General	MC1596G SG9399/1496T	Linear	8-3
156-0130-02	N	CR	Motorola	SC77162GH	Linear	8-3
156-0130-03	U	CR	Motorola National Semiconductor	MC1496N LM1496N	Linear	8-3
156-0131-00	N	NP	Fairchild National Semiconductor Signetics Texas Instruments	74164PC DM74164N N74164A SN74164N 74164	TTL	
156-0131-01	N	NP		74164	TTL	
156-0131-02	N	CR	Fairchild National Semiconductor Signetics Texas Instruments	74164PCQR/DCQR DM74164NA + /JA + N74164NA + /JA + SN74164NP3/JP4	TTL	6-22
156-0132-00	X	LR	Harris	HA2-911-5	Operational Amp	
156-0133-00	X	DL		1601	Memory Selection Guide	
156-0134-00	N	CR	Signetics Texas Instruments	MICROA710CN TL710CP	Special Function	7-8
156-0134-01	N	CR	Texas Instruments	TL710CP3	Special Function	7-8
156-0135-00	X	LS	Advanced Micro Devices ^b	1101A	Memory Selection Guide	
156-0136-00	A	CR	RCA	CA3030	Operational Amp	8-9

^a For ND Codes (New Design Recommendations) and Status Codes, see tab marked CODES in the back of this catalog.

^b Emergency Vendor only.

TEK PART NUMBER TO VENDOR NUMBER (cont)

Part Number	Codes ^a		Vendor	Vendor No.	Type	Page
	ND	ST				
156-0136-01	U	DL	RCA	CA3030X	Operational Amp	7-4
156-0137-00	N	CS	Precision	DAC100ACQ4	Special Function	
156-0138-00	A	NP	Texas Instruments	SN75154N/J	TTL	6-11
156-0138-01	X	NP		75154	TTL	
156-0138-02	A	CR	Texas Instruments	SN75154N3/J4	TTL	
156-0139-00	A	NP	Texas Instruments	SN75150P	TTL	
156-0139-01	X	NP		75150	TTL	6-11
156-0139-02	A	CR	Texas Instruments	SN75150NP3/JP4	TTL	
156-0140-00	N	NP	Fairchild	7417PC	TTL	
			National Semiconductor	DM7417N		
			Signetics	N7417A		
			Texas Instruments	SN7417N		
156-0140-01	N	NP		7417	TTL	6-3
156-0140-02	N	CR	Fairchild	7417PCQR/DCQR	TTL	
			National Semiconductor	DM8017NA + /JA +		
			Signetics	N7417NB/FB		
			Texas Instruments	SN7417NP3/JP4		
156-0141-00	N	NP	Fairchild	74156PC/DC	TTL	6-9
			National Semiconductor	DM74156N/J		
			Signetics	N74156N/F		
			Texas Instruments	SN74156N/J		
156-0141-01	N	NP		74156	TTL	
156-0141-02	CR	N	Fairchild	74156PCQR/DCQR	TTL	
			National Semiconductor	DM74156NA + /JA +		
			Signetics	N74156NB/FB		
			Texas Instruments	SN74156NP3/JP4		
156-0142-00	N	NP	Fairchild	74197PC	TTL	6-18
			National Semiconductor	DM74197N		
			Texas Instruments	SN74197N		
156-0142-01	N	NP		74197	TTL	6-18
156-0142-02	N	CS	Fairchild	74197PCQR/DCQR	TTL	
			National Semiconductor	DM74197NA + /JA +		
			Texas Instruments	SN74197NP3/JP4		
156-0143-00	N	NP	Fairchild	74122PC/DC	TTL	6-20
			Texas Instruments	SN74122N/J		
156-0143-01	N	NP		74122	TTL	6-20
156-0143-02	N	CR	Fairchild	74122PCQR/DCQR	TTL	
			Texas Instruments	SN74122NP3/JP4		
156-0144-00	N	NP	Fairchild	7412PC/DC	TTL	6-15
			Signetics	N7412N/J		
			Texas Instruments	SN7412N/J		
156-0144-01	N	NP		7412	TTL	6-15
156-0144-02	N	CR	Fairchild	7412PCQR/DCQR	TTL	
			National Semiconductor	DM7412NA + /JA +		
			Signetics	N7412NB/FB		
			Texas Instruments	SN7412NP3/JP4		
156-0145-00	N	NP	Fairchild	7438PC/DC	TTL	6-3
			National Semiconductor	DM7438N/J		
			Signetics	N7438N/F		
			Texas Instruments	SN7438N/J		
156-0145-01	N	NP		7438	TTL	6-3
156-0145-02	N	CR	Fairchild ^b	7438PCQR/DCQR	TTL	
			National Semiconductor ^b	DM7438NA + /JA +		
			Signetics	N7438N/F		
			Texas Instruments ^b	SN7438NP3/JP4		
156-0146-00	N	NP		74165	TTL	6-22
156-0146-01	N	NP		74165	TTL	
156-0146-02	N	CS	Fairchild	74165PCQR/DCQR	TTL	
			National Semiconductor	DM74165NA + /JA +		
			Signetics	N74165NB/FB		
			Texas Instruments	SN74165NP3/JP4		

^a For ND Codes (New Design Recommendations) and Status Codes, see tab marked CODES in the back of this catalog.

^b Emergency Vendor only.

TEK PART NUMBER TO VENDOR NUMBER (cont)

Part Number	Codes ^a		Vendor	Vendor No.	Type	Page
	ND	ST				
156-0147-00	X	CS	General Instruments	RO32513	MOS	
156-0147-01	X	NP		2513	MOS	
156-0148-00	N	NP	Fairchild	U6B930459X	TTL	
156-0148-01	N	NP		9304	TTL	
156-0148-02	U	LS	Fairchild	9304PCQR/DCQR	TTL	6-2
156-0149-00	N	NP	Fairchild National Semiconductor Signetics Texas Instruments	7413PC DM7413N N7413A SN7413N	TTL	6-15
156-0149-01	N	NP		7413	TTL	
156-0149-02	N	CR	Fairchild National Semiconductor Signetics Texas Instruments	7413PCQR/DCQR DM7413NA + /JA + N7413NB/FB SN7413NP3/JP4	TTL	6-15
156-0150-00	N	NP		7437	TTL	
156-0150-01	N	NP		7437	TTL	
156-0150-02	N	CR	Fairchild Signetics Texas Instruments	7437PCQR/DCQR N7437NB/FB SN7437NP3/JP4	TTL	6-3
156-0151-00	U	DL		UA7715C	Operational Amp	
156-0152-00	X	LR		MC8201	TTL	
156-0152-01	N	CS		MC8201	TTL	6-4 & 21
156-0153-00	N	NP		7406	TTL	
156-0153-01	N	NP		7406	TTL	
156-0153-02	N	CR	Fairchild National Semiconductor Signetics Texas Instruments	7406PCQR/DCQR DM8006NA + /JA + N7406NB/FB SN7406NP3/JP4	TTL	6-3
156-0154-00	X	LS	Signetics	2511K	MOS	
156-0155-00	X	CS	Fairchild National Semiconductor Texas Instruments	74H74PC/DC DM74H74N/J SN74H74N/J	TTL	
156-0155-01	X	OB		SN74H74N	TTL	
156-0156-00	X	OB	National Semiconductor Texas Instruments	DM74H40N/J SN74H40N/J	TTL	
156-0156-01	X	OB		SN74H40N	TTL	
156-0157-00	U	OB	Motorola	MCF8010	Linear	
156-0158-00	A	CR	Fairchild Motorola NEC America RCA Signetics	UA1458TC/SL28624 MC1458P1/U UPC1458C CA1458G MC1458N	Operational Amp	8-8
156-0158-01	N	CR	Motorola Signetics Texas Instruments	MC1458P1DS MC1458NB MC1458P3	Operational Amp	8-8
156-0158-02	N	NP		MC1458	Operational Amp	8-8
156-0158-03	N	NP		MC1458	Operational Amp	8-8
156-0158-04	A	CR	Motorola National Semiconductor NEC America Texas Instruments RCA	MC1458U LM1458J UPC251D MC1458JG CA1458G	Operational Amp	8-8
156-0158-05	A	CR		UPC251C	Operational Amp	8-8
156-0158-06	U	SC				
156-0158-07	A	CR	Motorola National Semiconductor Texas Instruments	MC1458P1DS/UDS LM1458N/A + MC1458JG4	Operational Amp	8-8
156-0159-00	N	OB		MC4048P	TTL	
156-0159-01	X	DL		MC4048P	TTL	
156-0160-00	N	CR	Motorola Fairchild National Semiconductor Signetics Texas Instruments	MC74L20N/J 74L20PC/DC DM74L20N/J N74L20N/J SN74L20N/J	TTL	6-16

^a For ND Codes (New Design Recommendations) and Status Codes, see tab marked CODES in the back of this catalog.

TEK PART NUMBER TO VENDOR NUMBER (cont)

Part Number	Codes ^a		Vendor	Vendor No.	Type	Page
	ND	ST				
156-0161-00	N	OB	National Semiconductor	DM74L78N/J	TTL	
156-0162-00	A	CR	Texas Instruments	SN74L78N/J	Linear	8-3
156-0162-01	N	NP	Fairchild	UA733DC	Linear	
156-0162-02	N	OT	National Semiconductor	733C	Linear	8-3
				LM733CN/A +		
156-0163-00	N	NP	Fairchild	7411PC	TTL	
			National Semiconductor	DM7411N		
			Signetics	N7411A		
156-0163-01	N	DL		7411	TTL	
156-0163-02	U	CR	Fairchild ^b	7411PCQR/DCQR	TTL	6-15
			National Semiconductor	DM7411NA + /JA +		
			Signetics	N7411NB/FB		
156-0164-00	U	OB		DAC-01C		
156-0165-00	N	NP		7425	TTL	
156-0165-01	N	NP		7425	TTL	
156-0165-02	A	CR	Fairchild	7425PCQR/DCQR	TTL	6-16
			National Semiconductor	DM8025NA + /JA +		
			Signetics	N7425NB/FB		
			Texas Instruments	SN7425NP3/JP4		
156-0166-00	X	OB		8228	TTL	
156-0167-00	X	OB		2510K	MOS	
156-0167-01	X	OB		2510K	MOS	
156-0168-00	X	LR	SMC Microsystems	KR2376-STP	MOS	
156-0169-00	N	CS		SN15836		
156-0170-00	N	CR		SN15846N	TTL	
156-0170-01	N	DL		SN15846N	TTL	
156-0171-00	N	NP	Fairchild	7432PC	TTL	
			National Semiconductor	DM7432N		
			Signetics	N7432A		
			Texas Instruments	SN7432N		
156-0171-01	N	NP		7432	TTL	
156-0171-02	N	CR	Fairchild	7432PCQR/DCQR	TTL	6-16
			National Semiconductor	DM7432NA + /JA +		
			Signetics	N7432NB/FB		
			Texas Instruments	SN7432NP3/JP4		
156-0172-00	N	NP	Advanced Micro Devices	SN74123N/J	TTL	
			Fairchild	74123PC/DC		
			Signetics	CY323/N74123N/F		
156-0172-01	N	NP		74123	TTL	
156-0172-02	N	CR	Advanced Micro Devices	SN74123PCB2/DCB2	TTL	6-20
			Fairchild	74123PCQR/DCQR		
			National Semiconductor ^b	DM74123NA + /JA +		
			Signetics	CY323NB/FB		
			Texas Instruments	SN74123NP3/JP4		
156-0173-00	U	DL			Hybrid	
156-0174-00	N	NP	Texas Instruments	SN74111N/J	TTL	
156-0174-01	N	NP		74111	TTL	
156-0174-02	N	CS	Texas Instruments	SN74111NP3/JP4	TTL	6-13
156-0175-00	N	NP	Fairchild ^b	74191PC/DC	TTL	
			National Semiconductor ^b	DM74191NA + /JA +		
			Texas Instruments	SN74191N/J		
156-0175-01	N	NP		74191	TTL	
156-0175-02	N	CR	Fairchild	74191PCQR/DCQR	TTL	6-6
			National Semiconductor	DM74191NA + /JA +		
			Texas Instruments	SN74191NP3/JP4		
156-0176-00	N	CR	Fairchild	UA309KC	Linear	8-4
			National Semiconductor	LM309KC		
156-0177-00	N	NP		75107A	TTL	
156-0177-01	X	NP		75107A	TTL	
156-0177-02	N	CR	Fairchild	75107PCQR/DCQR	TTL	6-11
			Motorola	MC75107NDS/JDS		
			Texas Instruments	SN75107ANP3/JP4		

^a For ND Codes (New Design Recommendations) and Status Codes, see tab marked CODES in the back of this catalog.

^b Emergency Vendor only.

TEK PART NUMBER TO VENDOR NUMBER (cont)

Part Number	Codes ^a		Vendor	Vendor No.	Type	Page	
	ND	ST					
156-0178-00	N	NP	Fairchild National Semiconductor Signetics Texas Instruments	7427	TTL	6-16	
156-0178-01	N	NP		7427	TTL		
156-0178-02	N	CR		7427PCQR/DCQR DM8027NA + /JA + N7427NB/FB SN7427NP3/JP4	TTL		
156-0179-00	U	LS	American Micro Systems Mostek	S4006 MK4006P-6 MK4006P	Memory Selection Guide Memory Selection Guide		
156-0179-01	U	DL	Fairchild National Semiconductor Signetics Texas Instruments	74S00PC/DC	TTL		
156-0180-00	N	NP		DM74S00N/J N74S00N/F SN74S00N/J			
156-0180-01	N	NP		74S00	TTL		
156-0180-02	N	NP	74S00	TTL			
156-0180-03	X	CS	Texas Instruments	SN74S00N	TTL	6-14	
156-0180-04	A	CR	Fairchild National Semiconductor Signetics Texas Instruments	74S00PCQR/DCQR DM74S00NA + /JA + N74S00NB/FB SN74S00NP3/JP4	TTL		
156-0181-00	N	CS	National Semiconductor Texas Instruments	DS8830N/J SN75183N/J	TTL		
156-0182-00	A	CR	Motorola Plessey	MC10105P/L SP10105B	ECL	4-6	
156-0182-01	A	NP	Motorola Motorola	10105	ECL	4-6	
156-0182-02	A	CR		MC10105PD/LD	ECL	4-6	
156-0182-03	U	CR		MC10105P/L	ECL	4-6	
156-0183-00	X	OB		NA747C	Operational Amp		
156-0184-00	X	OB		74104N	TTL		
156-0185-00	X	OB		15862N			
156-0186-00	N	NP	Fairchild ITT Semiconductor National Semiconductor Signetics Texas Instruments	7403PC ITT7403N DM7403N N7403A SN7403N	TTL		
156-0186-01	N	NP	Fairchild National Semiconductor Signetics Texas Instruments	7403	TTL	6-15	
156-0186-02	N	CR		7403PCQR/DCQR DM8003NA + /JA + N7403NB/FB SN7403NP3/JP4	TTL		
156-0187-00	X	OB	National Semiconductor Texas Instruments National Semiconductor Texas Instruments	15830N			
156-0188-00	N	CS		DM74H106N SN74H106N	TTL		
156-0189-00	N	CS		DM74H04N SN74H04N	TTL		
156-0190-00	X	OB	Texas Instruments Texas Instruments	7450	TTL	2-8	
156-0191-00	X	OB		54100	TTL		
156-0192-00	N	NP		SN7489N	Memory Selection Guide		
156-0192-01	N	NP		7489			
156-0192-02	N	CR		SN7489N3	Memory Selection Guide		
156-0193-00	N	NP		74100	TTL		
156-0193-01	X	NP	74100	TTL	6-18		
156-0193-02	N	CS	Signetics Texas Instruments	N74100NB/FB SN74100NP3/JP4			
156-0194-00	X	OT	Texas Instruments	7491A	TTL		
156-0195-00	X	OB		15835N			
156-0196-00	X	OB	Signetics Motorola Signetics	9020	TTL	2-8	
156-0198-00	N	CS		4035P	TTL		
156-0199-00	N	CR		N82S25N/F	Memory Selection Guide		
156-0199-01	N	NP		82S25	Memory Selection Guide		
156-0200-00	A	CR		Motorola Signetics	MC1456P1 MC1456N		Operational Amp

^a For ND Codes (New Design Recommendations) and Status Codes, see tab marked CODES in the back of this catalog.

TEK PART NUMBER TO VENDOR NUMBER (cont)

Part Number	Codes ^a		Vendor	Vendor No.	Type	Page
	ND	ST				
156-0200-01	U	CR		MC1456	Operational Amp	8-10
156-0200-02	A	CR	Motorola	MC1456U	Operational Amp	8-10
156-0201-00	N	PP	National Semiconductor Texas Instruments	DM74L90N/J SN74L90N/J	TTL	6-5
156-0202-00	N	NP	Motorola	MC4018P/L	TTL	
156-0202-01	N	NP		4018P	TTL	
156-0202-02	N	CR	Motorola	MC4018ND/JD	TTL	6-5
156-0203-00	X	DL		7418	TTL	
156-0203-01	X	NP		7418	TTL	
156-0204-00	A	CS	Motorola Plessey	MC1669L SP1669B	ECL	
156-0204-01	N	CS		1669L	ECL	
156-0204-02	X	DL		1669L	ECL	
156-0205-00	A	CR	Fairchild NEC America Motorola Signetics	F10102PC/DC MICROPB10102C/D MC10102P/L N10102N/F	ECL	4-6
156-0205-01	A	NP		10102	ECL	4-6
156-0205-02	A	CR	Fairchild Motorola Signetics	F10102PC/DCQR MC10102PD/LD	ECL	4-6
156-0205-03	U	CR	Motorola	10102FB MC10102L/P	ECL	4-3
156-0206-00	N	NP	Motorola Silicon General Texas Instruments	MC75325N/J SG75325N/J SN75325N/J	TTL	
156-0206-01	X	NP		75325	TTL	
156-0206-02	A	CR	Fairchild Motorola Silicon General Texas Instruments	75325DCQR/PC MC75325LDS SG75325N/J SN75325NP/JP	TTL	6-12
156-0207-00	U	LS		MC1440G	Linear	
156-0208-00	N	CR	Silicon General	SG8195/3501AJ	Linear	8-6
156-0208-01	N	NP		SG501P	Linear	8-6
156-0209-00	X	OB		EA3021	Memory Selection Guide	
156-0210-00	U	OB		EA3304	MOS	
156-0211-00	U	OB		EA3305-7	MOS	
156-0212-00	U	OB		EA3310-7	MOS	
156-0213-00	U	OB		EA3311-7	MOS	
156-0214-00	X	OB		EA3503-7	Memory Selection Guide	
156-0215-00	X	OB		EA120	MOS	
156-0216-00	X	OB		EA1208-2	MOS	
156-0217-00	X	OB		EA1210-7	MOS	
156-0218-00	N	NP	Fairchild	9334PC/DC	TTL	
156-0218-01	N	NP		9334	TTL	
156-0218-02	X	CS	Fairchild	9334PCQR/DCQR	TTL	6-18
156-0219-00	N	NP	Advanced Micro Devices Fairchild Signetics Texas Instruments	9318PC/DC 74148PC N74148B SN74148N	TTL	
156-0219-01	N	NP		9318	TTL	
156-0219-02	N	CR	Advanced Micro Devices Fairchild Signetics	9318PCB2/DCB2 9318DCQR N74148NB	TTL	6-12
156-0220-00	N	CR	Texas Instruments Advanced Micro Devices Fairchild	SN74148N3/J4 93L08PC/DC F93L08PC/DC	TTL	6-18
156-0220-01	N	NP		93L08	TTL	6-18
156-0221-00	N	NP		74175P	TTL	
156-0221-01	N	NP		74175	TTL	
156-0221-02	N	CR	Fairchild National Semiconductor Signetics Texas Instruments	74175PCQR/DCQR DM74175NA + /JA + N74175NB/FB SN74175NP3/JP4	TTL	6-13

^a For ND Codes (New Design Recommendations) and Status Codes, see tab marked CODES in the back of this catalog.

TEK PART NUMBER TO VENDOR NUMBER (cont)

Part Number	Codes ^a		Vendor	Vendor No.	Type	Page
	ND	ST				
156-0222-00	N	NP	Fairchild National Semiconductor Signetics Texas Instruments	74174PC DM74174N N74174B SN74174N 74174	TTL	
156-0222-01	N	NP			TTL	
156-0222-02	N	CR	Fairchild National Semiconductor Signetics Texas Instruments	74174PCQR/DCQR DM8557NA + /JA + N74174NB/FB SN74174NP3/JP4 74174	TTL	6-13
156-0222-03	N	DL			TTL	
156-0223-00	A	CR	Advanced Micro Devices Intersil Motorola National Semiconductor	LM308H ITS6637 LM308H LM308H	Operational Amp Operational Amp	8-10 8-10
156-0223-01	A	CR	Motorola National Semiconductor	LM308H/DS LM308H/A +	Operational Amp	8-8
156-0224-00	A	CR	Motorola	MC1658P/L	Special Function	7-9
156-0224-01	N	CR	Fairchild Motorola	11C58DCQR SC62528L658	Special Function	7-9
156-0225-00	X	NP	Plessey	SP1662DP/DG	ECL	
156-0226-00	A	CR	Motorola Plessey	MC1662P/L SP1662DP/DG MC1662L	ECL ECL	4-6 4-6
156-0226-01	A	NP			ECL	4-6
156-0226-02	A	CR	Motorola	MC1662LD	ECL	4-6
156-0226-03	U	SC		MC1661L	ECL	
156-0227-00	A	OB	Motorola Plessey	MC1664P/L SP1664BDP/DG	ECL	4-6
156-0227-01	A	CR	Motorola	MC1664LD	ECL	4-6
156-0228-00	A	CR	Plessey	SP16F70DG	ECL	4-5
156-0229-00	A	CR	Motorola NEC America Signetics	MC10109L/P MICROPB10109C/D 10109N/F	ECL	4-6
156-0229-01	A	CR	Motorola	MC10109PD/LD	ECL	4-6
156-0229-02	U	SC		MC10109L		
156-0230-00	A	CR	Fairchild Motorola NEC America Signetics	F10131PC/DC MC10131L/P MICROPB10131C/D 10131N/F	ECL	4-5
156-0230-01	A	NP		10131	ECL	4-5
156-0230-02	A	CR	Motorola	MC10131LD	ECL	4-5
156-0231-00	U	LS		C08685	MOS	
156-0232-00	U	LS		C08686	MOS	
156-0233-00	U	LS		C08687	MOS	
156-0234-00	U	LS		C08688	MOS	
156-0235-00	U	LS		C08684	MOS	
156-0236-00	X	LS		C01841	Memory Selection Guide	
156-0237-00	X	LS		C01839	Memory Selection Guide	
156-0238-00	X	LS		C01840	MOS	
156-0239-00	U	LS		C01836	MOS	
156-0240-00	X	LS		C01837	MOS	
156-0241-00	U	LS		C01843	MOS	
156-0242-00	X	LS		C01838	MOS	
156-0243-00	X	LS		C01842	MOS	
156-0244-00	X	OB		1301-0044	Memory Selection Guide	
156-0245-00	N	LR	National Semiconductor	DM85L60N/J	TTL	
156-0245-01	N	NP		74L192	TTL	
156-0246-00	X	OB		1765	MOS	
156-0247-00	X	OB		U7B932251X	TTL	
156-0248-00	N	NP	Fairchild ITT Semiconductor National Semiconductor Signetics Texas Instruments	74163PC ITT74163N DM74163AN N74163B SN74163N	TTL TTL	

^a For ND Codes (New Design Recommendations) and Status Codes, see tab marked CODES in the back of this catalog.

TEK PART NUMBER TO VENDOR NUMBER (cont)

Part Number	Codes ^a		Vendor	Vendor No.	Type	Page
	ND	ST				
156-0248-01 156-0248-02	N N	NP CR	Fairchild National Semiconductor Signetics Texas Instruments	74163 74163PCQR/DCQR DM74163ANA + /JA + N74163NB/FB SN74163NP3/JP4	TTL TTL	6-5
156-0249-00 156-0249-01 156-0250-00 156-0250-01 156-0251-00	X N N N N	LR NP LR LR CR	Signetics National Semiconductor Signetics	8203N 8203 N8202N 8202 LM361H NE529K	TTL TTL TTL TTL Special Function	6-21 7-8
156-0251-01 156-0252-00 156-0252-01 156-0252-02 156-0253-00 156-0254-00 156-0255-00 156-0255-01	N A A A X X X N	CR CR NP CR LR LR LS DL	National Semiconductor Signetics Fairchild Motorola Signetics Motorola	LM361H/A + NE529K SUPRUIB F10106PC/DC MC10106P/L 10106B/F 10106 MC10106PD/LD MC1040P SP391A SP380A SP380A	Special Function ECL ECL ECL TTL TTL TTL TTL	7-8 4-6 4-6 4-6
156-0256-00 156-0257-00 156-0257-01 156-0258-00	X X X X	LR DL DL LR	Signetics Texas Instruments	SP381A N7444N/F SN7444AN/J 7444 1034	TTL TTL TTL TTL	
156-0260-00 156-0261-00 156-0262-00 156-0263-00 156-0264-00	A X U X A	CR OB OB NP CR	Fairchild Fairchild Signetics	UA727HC 74160N N8205N 2513NX/CM3840 UA7818UC MICROA78HV18CU	Operational Amp TTL TTL MOS Linear	8-12 8-4
156-0265-00 156-0266-00 156-0266-01 156-0267-00 156-0267-01 156-0268-00	X A A N N N	LS CR CR CR CS CR	Motorola ^b Plessey Motorola Plessey Fairchild Motorola National Semiconductor Texas Instruments	1016 MC1648P/L SP1648BDP/BDG MC1648PD/LD 156-0266-01 74L30PC/DC MC74L30N/J DM74L30N/J N74L30N/J SN74L30N/J 74L30 7474 SN74L02N/J DM74L02N/J SN74L02N/J	ECL Special Function Special Function TTL TTL TTL	7-9 7-9 6-16
156-0268-01 156-0269-00 156-0269-01 156-0270-00 156-0271-00	N N N U X	CR CS NP DL DL	National Semiconductor Texas Instruments Texas Instruments	DM74L02N/J SN74L02N/J SN74H183N/J 74H183N SP300A SP317A	TTL TTL TTL	6-15
156-0272-00 156-0272-01 156-0273-00 256-0274-00 156-0274-01	X N N N N	LS NP CR CR CS	Signetics Advanced Micro Devices Fairchild Fairchild Signetics	SP384A SP384A N8T13B/F 9615DC 9615DC 9615DCQR 9615DCQR	TTL TTL TTL TTL TTL	6-12 6-12 6-12

^a For ND Codes (New Design Recommendations) and Status Codes, see tab marked CODES in the back of this catalog.

^b Emergency Vendor only.

TEK PART NUMBER TO VENDOR NUMBER (cont)

Part Number	Codes ^a		Vendor	Vendor No.	Type	Page
	ND	ST				
156-0295-01	A	NP	Motorola	10107	ECL	4-6
156-0295-02	A	CR		MC10107PD/LD	ECL	4-6
156-0296-00	X	NP		EA4001	Memory Selection Guide	
156-0296-01	X	NP		EA4001	Memory Selection Guide	
156-0297-00	N	NP		7421	TTL	
156-0297-01	N	NP	Fairchild Signetics Signetics	7421	TTL	6-16
156-0297-02	N	CR		7421PCQR/DCQR	TTL	
156-0298-00	N	CS		N7421NB/FB	TTL	
156-0298-01	X	NP		N8T20N/F	TTL	
156-0299-00	N	NP		N8T20B	TTL	
156-0299-01	N	NP	Fairchild ITT Semiconductor National Semiconductor Signetics Texas Instruments	74150PC	TTL	
156-0299-02	A	CR		ITT74150N	TTL	
156-0300-00	X	DL		DM74150N	TTL	
156-0301-00	N	NP		N74150N	TTL	
156-0301-01	N	NP		SN74150N	TTL	
156-0301-02	N	CS	74150	TTL	6-7	
156-0302-00	A	NP	Fairchild National Semiconductor Signetics Texas Instruments	74150PCQR/DCQR	TTL	
156-0302-01	X	NP		DM74150NA + /JA +	TTL	
156-0302-02	U	CR		N74150NB/FB	TTL	
156-0303-00	N	NP		SN74150NP3/JP4	TTL	
156-0303-01	A	CR		2513N/XCM3441	TTL	
156-0304-00	N	NP	Fairchild National Semiconductor Signetics Texas Instruments	74166	TTL	6-22
156-0304-01	N	NP		74166	TTL	
156-0304-02	A	CR		74166PC/DC	TTL	
156-0305-00	A	CR		DM74166NA + /JA +	TTL	
156-0305-04	U	CR		N74166NB/FB	TTL	
156-0306-00	N	LR	SN74166NP3/JP4	TTL	6-12	
156-0307-00	A	CR	Fairchild National Semiconductor Signetics Texas Instruments	75452BTC	TTL	
156-0307-01	A	CR		DS75452N/J	TTL	
156-0308-00	A	CR		SN75452BP	TTL	
156-0308-01	A	NP		75452	TTL	
156-0308-02	A	CR		75452BPCQR/DCQR	TTL	
156-0309-00	N	NP	Fairchild National Semiconductor Signetics Texas Instruments	DS75452NA + /JA +	TTL	6-15
156-0310-00	N	NP		SN75452N3/JP4	TTL	
156-0311-00	N	NP		74S03PC	TTL	
156-0312-00	N	NP		DM74S03N	TTL	
156-0313-00	N	NP		N74S03A	TTL	
156-0314-00	N	NP	SN74S03N	TTL	6-15	
156-0315-00	N	NP	Fairchild National Semiconductor Signetics Texas Instruments	74S03PCQR/DCQR	TTL	
156-0316-00	N	NP		DM74S03NA + /JA +	TTL	
156-0317-00	N	NP		N74S03NB/FB	TTL	
156-0318-00	N	NP		SN74S03NP3/JP4	TTL	
156-0319-00	N	NP		74S20	TTL	
156-0320-00	N	NP	Fairchild National Semiconductor Signetics Texas Instruments	74S20	TTL	6-16
156-0321-00	N	NP		74S20DCQR/PCQR	TTL	
156-0322-00	N	NP		DM74S20NA + /JA +	TTL	
156-0323-00	N	NP		N74S20NB/FB	TTL	
156-0324-00	N	NP		SN74S20NP3/JP4	TTL	
156-0325-00	A	CR	Advanced Micro Devices	AM27S18DC	Memory Selection Guide	2-12
156-0326-00	U	CR		27LS08	Memory Selection Guide	
156-0327-00	N	LR		Fairchild	MOS	5-2
156-0328-00	A	CR		Motorola	ECL	4-8
156-0329-00	A	CR		Plessey	ECL	4-8
156-0330-00	A	CR	Motorola Signetics	MC1692L	ECL	4-8
156-0331-00	A	CR		SP1692DG	ECL	4-8
156-0332-00	A	CR		MC1692LD	ECL	4-8
156-0333-00	A	CR		1692DG	ECL	4-8
156-0334-00	A	CR		Motorola	ECL	4-8
156-0335-00	A	NP	Motorola Plessey Signetics	MC10115P/L	ECL	4-8
156-0336-00	A	NP		10115	ECL	4-8
156-0337-00	A	CR		10115	ECL	4-8
156-0338-00	A	CR	Motorola	ECL	4-8	
156-0339-00	A	CR	Plessey	ECL	4-8	
156-0340-00	A	CR	Signetics	ECL	4-8	

^a For ND Codes (New Design Recommendations) and Status Codes, see tab marked CODES in the back of this catalog.

TEK PART NUMBER TO VENDOR NUMBER (cont)

Part Number	Codes ^a		Vendor	Vendor No.	Type	Page
	ND	ST				
156-0308-03	A	CR	Motorola Signetics Trio-Technology	SC22689P115 10115FB	ECL	4-8
156-0308-04	A	CR	Motorola Signetics	MC10115PD/LD 10115N	ECL	4-8
156-0308-05	U	SC	Advanced Micro Devices	MC10115L	ECL	6-22
156-0309-00	N	DL		Fairchild	93L00PC F93L00PC	
156-0310-00	N	OT	Advanced Micro Devices Fairchild	93L28PC F93L28PC	TTL	6-22
156-0310-01	N	CS	Advanced Micro Devices	U7B93L2859X	TTL	6-22
156-0310-02	N	CS		Fairchild	AM93L28PCB/DCB 93L28PCQR/DCQR	
156-0311-00	N	NP	Fairchild Texas Instruments	7497PC/DC SN7497N/J	TTL	6-5
156-0311-01	N	NP	Fairchild Texas Instruments	7497	TTL	6-5
156-0311-02	N	CR		SN7497JP4	TTL	
156-0312-00	A	CR	Motorola National Semiconductor Signetics Silicon General	MC7815CT LM340T-15 78HV15CU SG7815CP	Linear	8-4
156-0312-01	X	CR	Motorola	MC7815CTD	Linear	8-4
156-0312-02	A	CR	Unitrode	UC7815ACT	Linear	8-4
156-0313-00	A	NP	National Semiconductor Texas Instruments	LM75454N/J SN75454P/JG	TTL	6-12
156-0313-01	X	NP		75454	TTL	
156-0313-02	A	CR	National Semiconductor Texas Instruments	DM75454NA + /JA + SN75454PP3/JP4	TTL	6-12
156-0314-00	N	LR	Fairchild	93L21PC/DC	TTL	
156-0315-00	N	NP		74184	TTL	
156-0315-01	N	NP		74184	TTL	
156-0315-02	U	CR	National Semiconductor Texas Instruments	DM74185NA + /JA + SN74184NP3/JP4	TTL	6-5
156-0316-00	A	CR	Motorola	MC10125L	ECL	4-2
156-0316-01	A	NP		10125	ECL	4-2
156-0316-02	A	DL	Motorola Signetics	MC10125L 10125FJ	ECL	4-2
156-0316-03	A	CR	Motorola Signetics Trio-Technology	SC22689P125 10125FB	ECL	4-2
156-0316-04	A	CR	Motorola	MC10125P/L	ECL	4-2
156-0317-00	A	CR	Analog Devices Burr-Brown Harris	AD40060 3508J HA2-2625-5	Operational Amp	8-9
156-0317-01	A	CR	Analog Devices	AD40060	Operational Amp	8-9
156-0317-02	A	CS	Harris	HA2-2625-7	Operational Amp	8-9
156-0317-03	A	CR	Analog Devices Harris	HA2-2625-B0796 AD40060 + BI HA2-2625-7	Operational Amp	8-9
156-0318-00	N	CS	Fairchild Motorola Texas Instruments	74H87DC MC74H87DC SN74H87N/J	TTL	
156-0318-01	X	NP		74H87	TTL	
156-0320-00	N	NP		74S11	TTL	
156-0320-01	N	NP		74S11	TTL	
156-0320-02	X	CS	Texas Instruments	SN9134ON/J	TTL	
156-0320-03	A	CR	Fairchild Signetics Texas Instruments	74S11PCQR/DCQR N74S11NB/FB SN74S11NP3/JP4	TTL	6-15

^a For ND Codes (New Design Recommendations) and Status Codes, see tab marked CODES in the back of this catalog.

TEK PART NUMBER TO VENDOR NUMBER (cont)

Part Number	Codes ^a		Vendor	Vendor No.	Type	Page
	ND	ST				
156-0321-00	N	NP	Fairchild National Semiconductor Signetics Texas Instruments	74S10PC DM74S10N N74S10A SN74S10N 74S10	TTL	
156-0321-01	N	NP			TTL	6-15
156-0321-02	A	CR	Fairchild National Semiconductor Signetics Texas Instruments	74S10PCQR/DCQR DM74S10NA + /JA + N74S10NB/FB SN74S10NP3/JP4	TTL	6-15
156-0322-00	X	DL		82S41	TTL	
156-0323-00	N	NP		74S04	TTL	
156-0323-01	N	NP		74S04	TTL	
156-0323-02	A	CR	Fairchild National Semiconductor Signetics Texas Instruments	74S04PCQR/DCQR DM74S04NA + /JA + N74S04NB/FB SN74S04NP3/JP4	TTL	6-3
156-0323-03	X	DL		74S04	TTL	
156-0324-00	N	NP	Advanced Micro Devices Fairchild National Semiconductor Signetics Texas Instruments	SN74S151N 74S151PC DM74S151N N74S151B SN74S151N	TTL	
156-0324-01	N	NP		74S151	TTL	
156-0324-02	X	CR	Advanced Micro Devices Texas Instruments	SN74AS151NB/JB SN74AS151N/J	TTL	6-7
156-0324-03	A	CR	Advanced Micro Devices Fairchild National Semiconductor Signetics Texas Instruments	SN74S151NB/JB 74S151PCQR/DCQR DM74S151NA + /JA + N74S151NB/FB SN74S151NP3/JP4	TTL	6-7
156-0325-00	N	NP	Advanced Micro Devices Fairchild National Semiconductor Signetics Texas Instruments	SN74S153N/J 74S153PC/DC DM74S153N/J N74S153N/J SN74S153N/J	TTL	
156-0325-01	N	NP		SN74S153N	TTL	
156-0325-02	A	CR	Advanced Micro Devices Fairchild Signetics Texas Instruments	SN74S153JB 74S153DCQR N74S153FB SN74S153JP3	TTL	6-7
156-0326-00	N	NP	Advanced Micro Devices Fairchild National Semiconductor Signetics Texas Instruments	SN74S195N/J 74S195PC/DC DM74S195N/J N74S195N/F SN74S195N/J	TTL	
156-0326-01	N	NP		74S195	TTL	
156-0326-02	A	CR	Advanced Micro Devices National Semiconductor Signetics Texas Instruments	SN74S195NB/JB DM74S195NA + N74S195NB/FB SN74S195NP3/JP4	TTL	6-22
156-0326-03	X	CR	Advanced Micro Devices National Semiconductor Texas Instruments	SN74S195JB DM74S195NA + /JA + SN74S195JP4	TTL	6-22
156-0327-00	N	CR	Advanced Micro Devices Fairchild	94L14DC 93L14DC	TTL	6-18
156-0327-01	N	CR		93L14	TTL	6-18
156-0328-00	A	CR	Motorola National Semiconductor	MMH0026CPID/UD DS0026CNA + /JA + DS0026CN	MOS	5-2
156-0328-01	X	DL		2802PC	MOS	
156-0329-00	A	PP			MOS	5-2

^a For ND Codes (New Design Recommendations) and Status Codes, see tab marked CODES in the back of this catalog.

^b Emergency Vendor only.

TEK PART NUMBER TO VENDOR NUMBER (cont)

Part Number	Codes ^a		Vendor	Vendor No.	Type	Page
	ND	ST				
156-0330-00	N	NP	Motorola RCA	MC14050BCL CD4050BF	CMOS	
156-0330-01	X	NP		4050	CMOS	
156-0330-02	A	CR	Motorola RCA	MC14050BCLD CD4050BFX	CMOS	3-2
156-0331-00	N	NP	Fairchild National Semiconductor Texas Instruments	74S74PC/DC DM74S74N/J SN74S74N/J	TTL	
156-0331-01	N	NP		74S74	TTL	
156-0331-02	X	CR	Fairchild Texas Instruments	9S74DC/74S74DC SN54S74J	TTL	6-13
156-0331-03	A	CR	Fairchild National Semiconductor Signetics Texas Instruments		TTL	6-13
156-0332-00	X	LR		SN74S74NP3 1011	ECL	
156-0333-00	X	LS		MC1650L	Special Function	
156-0333-01	X	DL	Motorola Plessey	MC1650L SP1650DG	Special Function	
156-0334-00	X	DL		1666L	ECL	
156-0335-00	N	CR	National Semiconductor	LH0042CH	Operational Amp	8-11
156-0335-01	N	CR	National Semiconductor	LH0042CH	Operational Amp	8-11
156-0336-00	N	NP	Signetics	N8234N/F	TTL	
156-0336-01	N	CR	Signetics	N8234NB/FB	TTL	6-8
156-0337-00	X	DL		MM6055	TTL	
156-0338-00	X	CS		DS0025CN	MOS	
156-0339-00	N	NP	National Semiconductor	DM8599N	Memory Selection Guide	2-8
156-0339-01	N	NP		8599	Memory Selection Guide	
156-0339-02	N	CR	Cypress National Semiconductor	CY27S03PC 8599	Memory Selection Guide	2-8
156-0340-00	N	NP	Fairchild ITT Semiconductor National Semiconductor Signetics Texas Instruments	SN74190PC/DC ITT74190N DM74190N/J N74190N/J SN74190N/J	TTL	
156-0340-01	N	NP		74190	TTL	
156-0340-02	N	CS	Texas Instruments	SN74190NP3/JP4	TTL	6-5
156-0341-00	N	NP	Fairchild National Semiconductor Texas Instruments	75453BTC LM75453N/J SN75453BP/BJG	TTL	
156-0341-01	X	NP		75454	TTL	
156-0341-02	A	CR	National Semiconductor Texas Instruments	LM75453NA + /JA + SN75453PP3/JGP4	TTL	6-12
156-0342-00	A	LS		DI-297N	Special Function	
156-0343-00	A	CR	Motorola Plessey	MC1668L SP1668DG	ECL	4-8
156-0344-00	X	LR		MC1043P	ECL	
156-0345-00	N	NP	National Semiconductor Texas Instruments	DM74185AN SN74185AN	TTL	
156-0345-01	N	NP		74185	TTL	
156-0345-02	N	CR	National Semiconductor Texas Instruments	DM74185NA + /JA + SN74185NP3/JP4	TTL	6-5
156-0346-00	X	LS	Intel	1602A	Memory Selection Guide	
156-0347-00	N	NP	Texas Instruments	SN74147N/J	TTL	
156-0347-01	N	NP		74147	TTL	
156-0347-02	N	CR	National Semiconductor Texas Instruments	DM74147NA + /JA + SN74147NP3/JP4	TTL	6-12
156-0348-00	A	OB	Motorola Plessey	MC1663L SP1663DG	ECL	4-6
156-0349-00	N	CR	Motorola National Semiconductor RCA	MC14001UBCL CD4001CJ CD4001UBF	CMOS	3-5

^a For ND Codes (New Design Recommendations) and Status Codes, see tab marked CODES in the back of this catalog.

TEK PART NUMBER TO VENDOR NUMBER (cont)

Part Number	Codes ^a		Vendor	Vendor No.	Type	Page
	ND	ST				
156-0349-01	N	CR	Fairchild Signetics	34001BDC HEF4001BPN	CMOS	3-5
156-0349-02	X	NP	Motorola RCA	4001A	CMOS	3-5
156-0349-03	N	CR		MC14001UBCLD CD4001UBFX	CMOS	
156-0349-04	N	LS	Mitel Semiconductor Motorola National Semiconductor RCA	4001B	CMOS	
156-0349-05	N	NP		SIL4001BF MC14001BCL CD4001BCJ CD4001BF	CMOS	
156-0349-06	A	CR	Motorola National Semiconductor RCA	MC14001BCLD CD4001BCJ/A + CD4001BFX	CMOS	3-5
156-0350-00	N	CR	Mitel Semiconductor Motorola RCA	SIL4001UBF MC14011UBCL CD4011UBF	CMOS	3-5
156-0350-01	N	LR	Fairchild	4011BDC	CMOS	3-5
156-0350-02	N	CR	Motorola RCA	MC14011UBCLD CD4011UBFX	CMOS	3-5
156-0350-03	N	CS	Fairchild Microtest Systems Trio-Technology	4011BDCQR	CMOS	
156-0350-04	N	NP	Mitel Semiconductor Motorola National Semiconductor RCA	SIL4011BF MC14011BCL CD4011BCJ CD4011BF	CMOS	
156-0350-05	A	CR	Motorola National Semiconductor RCA	MC14011BCLD MM5611BCJA + CD4011BFX	CMOS	3-5
156-0350-06	X	CR	Motorola RCA	MC14011BCLD CD4011BFX	CMOS	
156-0351-00	X	EN	Fairchild National Semiconductor Texas Instruments	9341PC/DC CM74181N/J SN74181N/J	TTL	1-3
156-0351-01	N	CS	Fairchild National Semiconductor Texas Instruments	74181PCQR/DCQR DM74181NA +/JA + SN74181NP3/JP4	TTL	6-2
156-0352-00	N	CR	RCA	CD4007AE/F	CMOS	3-8
156-0353-00	A	CR	Motorola Plessey	MC1672L SP1672B	ECL	4-6
156-0353-01	N	DL	Motorola Plessey	MC1672LD1 156-0353-01	ECL	
156-0354-00	U	LS	RCA	5213N	MOS	
156-0356-00	A	CR		CA3080	Operational Amp	8-12
156-0356-01	A	CR		CA3080TX	Operational Amp	8-12
156-0357-00	U	DL	Signetics	N8205	TTL	
156-0352-02		CS		N8205	Memory Selection Guide	
156-0358-00	U	NP	Signetics	N8205N	TTL	
156-0358-02		CS		N82S115F/CD9402F	Memory Selection Guide	
156-0359-00	U	NP		N8205N	TTL	
156-0359-02		CS	Signetics	N82S115F/CB9401F	Memory Selection Guide	
156-0360-00	U	DL	Signetics	N8205N	TTL	
156-0360-02		CS		N82S115F/CD9400F		
156-0361-00	N	LR		General Instruments	AY-5-1013A	Multifunction
156-0361-01	X	NP		AY-5-1013	Multifunction	
156-0361-02	N	NP	General Instruments	AY-5-1013	Multifunction	
156-0361-03	X	DL	American Micro Systems Gen Instruments	S1602P/E AY-3-1015DP/DC	Multifunction	1-9
156-0362-00	A	CR	Advanced Micro Devices	AM685HL	Special Function	7-8
156-0362-01	A	CR	Advanced Micro Devices	AM685HLB	Special Function	7-8

^a For ND Codes (New Design Recommendations) and Status Codes, see tab marked CODES in the back of this catalog.

TEK PART NUMBER TO VENDOR NUMBER (cont)

Part Number	Codes ^a		Vendor	Vendor No.	Type	Page	
	ND	ST					
156-0363-00	X	NP	Fairchild	3258DDC	Memory Selection Guide	6-10	
156-0363-01		CS		SL30738			
156-0364-00	U	LS		2530N			
156-0365-00	X	CR		7445PC			
			Fairchild	ITT7445N	TTL		
			ITT Semiconductor	DM7445N			
			National Semiconductor	N7445B			
			Signetics	SN7445N			
			Texas Instruments				
156-0366-00	N	NP	Harris	HD1-4013B-9	CMOS		
			Motorola	MC14013BCL			
			RCA	CD4013BF			
156-0366-01	X	NP	Motorola	4013	CMOS	3-4	
156-0366-02	A	CR		MC14013BCLD	CMOS		
			RCA	CD4013BFX			
156-0366-03	X	DL	Motorola	MC14013BCLD	CMOS		
			RCA	CD4013BFX			
156-0367-00	N	NP	Fairchild	74195PC/DC	TTL		
			National Semiconductor	DM74195N/J			
			Signetics	N74195N/F			
			Texas Instruments	SN74195N/J			
156-0367-01	N	NP	Fairchild	74195	TTL	6-22	
156-0367-02	N	CS		74195PCQR/DCQR	TTL		
				National Semiconductor	DM74195N/J		
				Signetics	N74195NB/FB		
			Texas Instruments	SN74195NP3/JP4			
156-0368-00	A	CR	Motorola	MC10124L	ECL	4-2	
156-0368-01	A	CR	Motorola	MC10124LD	ECL	4-2	
156-0368-02		CR	Motorola	MC10124LD	ECL	4-2	
156-0368-03	A	CR	Motorola	MC10124PD/LD	ECL	4-2	
			Signetics ^b	10124NB/FB			
156-0368-04	U	SC	Motorola	MC10216P/L	ECL	4-8	
156-0369-00	A	CR		10216A			
156-0369-01	A	CR	Motorola	MC10216L	ECL	4-8	
156-0369-02	A	CR	Motorola	SC22689P216	ECL	4-8	
156-0369-03	A	CR	Fairchild	F10216DCQR	ECL	4-8	
			Motorola	MC10216PD/LD			
			Signetics	10216NB/FB			
156-0370-00	N	LR	Fairchild	BB3401B	Operational Amp		
156-0371-00	N	NP		74132PC/DC			
				National Semiconductor			DM74132N/J
				Signetics			N74132N/J
			Texas Instruments	SN74132N/J			
156-0371-01	N	NP	Fairchild	74132	TTL	6-17	
156-0371-02	N	CR		74132PCQR/DCQR	TTL		
				National Semiconductor	DM74132NA/JA +		
				Signetics	N74132NB/FB		
			Texas Instruments	SN74132NP3/JP4			
156-0372-00	N	CR	Motorola	MC4022P/L	TTL	6-2	
156-0373-00	N	NP	Fairchild	74298PC/DC	TTL		
			Signetics	N74298N/J			
			Texas Instruments	SN74298N/J			
156-0373-01	N	NP		74298	TTL		
156-0373-02	N	CR	Fairchild	74298PCQR/DCQR	TTL	6-7	
			Signetics	N74298NB/FB			
			Texas Instruments	SN74298NP3/JP4			
156-0374-00	N	NP	Signetics	N7428A	TTL		
			Texas Instruments	SN7428N			

^a For ND Codes (New Design Recommendations) and Status Codes, see tab marked CODES in the back of this catalog.

^b Emergency Vendor only.

TEK PART NUMBER TO VENDOR NUMBER (cont)

Part Number	Codes ^a		Vendor	Vendor No.	Type	Page
	ND	ST				
156-0374-01	N	NP		7428	TTL	
156-0374-02	N	CR	Signetics Texas Instruments	N7428ANB/FB SN7428NP3/JP4	TTL	6-3
156-0375-00	X	DL		9307PC	TTL	
156-0376-00	N	NP	American Micro Devices Fairchild National Semiconductor Signetics Texas Instruments	SN74LS195AN/AJ 74LS195APC/ADC DM74LS195AN/AJ N74LS195AN/AF SN74LS195AN/AJ	TTL	
156-0376-01	A	CR	Advanced Micro Devices Fairchild Motorola Signetics Texas Instruments	SN74LS195ANB2/JB2 74LS195APCQR/DCQR SN74LS195ANDS/JDS N74LS195ANB/FB SN74LS195ANP3/JP4	TTL	6-22
156-0377-00	A	CS	Fairchild Motorola Plessey	F11C06DC MC12090L SP16905	ECL	4-5
156-0378-00	X	DL		2530N	MOS	
156-0378-01	U	NP		2530N	MOS	
156-0378-02	U	NP		2530N	MOS	
156-0379-00	N	NP	Signetics	N8T06N/F	TTL	
156-0379-01	X	DL		8T06N	TTL	
156-0379-02	A	LR	Signetics	N8T06NB/FB	TTL	6-9 & 12
156-0380-00	X	LS		1702A	Memory Selection Guide	
156-0381-00	N	NP	Fairchild Motorola National Semiconductor Signetics Texas Instruments	74LS86PC/DC SN74LS86N/J DM74LS86N/J N74LS86N/F SN74LS86N/J	TTL	
156-0381-01	N	NP		74LS86	TTL	
156-0381-02	A	CR	Fairchild Motorola National Semiconductor Signetics Texas Instruments	74LS86PCQR/DCQR SN74LS86NDS/JDS DM74LS86NA + /JA + N74LS86NB/FB SN74LS86NP3/JP4	TTL	6-17
156-0382-00	N	NP	Fairchild Motorola National Semiconductor Signetics Texas Instruments	74LS00PC/DC SN74LS00N/J DM74LS00N/J N74LS00N/F SN74LS00N/J	TTL	
156-0382-01	N	NP		74LS00	TTL	
156-0382-02	A	CR	Fairchild Motorola National Semiconductor Signetics Texas Instruments	74LS00PCQR/DCQR SN74LS00NDS/JDS DM74LS00NA + /JA + N74LS00NB/FB SN74LS00NP3/JP4	TTL	6-14
156-0382-03		CS	Texas Instruments	SN74LS00NP3	TTL	
156-0383-00	N	NP	Fairchild Motorola National Semiconductor Signetics Texas Instruments	74LS02PC/DC SN74LS02N/J DM74LS02N/J N74LS02N/F SN74LS02N/J	TTL	
156-0383-01	N	NP		74LS02	TTL	
156-0383-02	A	CR	Fairchild Motorola Signetics Texas Instruments	74LS02PCQR/DCQR SN74LS02NDS/JDS N74LS02NB/FB SN74LS02NP3/JP4	TTL	6-15
156-0384-00	X	NP	Fairchild Motorola National Semiconductor Texas Instruments	74LS03PC/DC SN74LS03N/J DM74LS03N/J SN74LS03N/J	TTL	
156-0384-01	N	NP		74LS03	TTL	

^a For ND Codes (New Design Recommendations) and Status Codes, see tab marked CODES in the back of this catalog.

TEK PART NUMBER TO VENDOR NUMBER (cont)

Part Number	Codes ^a		Vendor	Vendor No.	Type	Page
	ND	ST				
156-0384-02	A	CR	Fairchild Motorola National Semiconductor	74LS03PCQR/DCQR SN74LS03NDS/JDS	TTL	6-15
156-0385-00	N	NP	Texas Instruments Fairchild Motorola National Semiconductor	DM74LS03NA + /JA + SN74LS03NP3/JP4 74LS04PC/DC SN74LS04N/J DM74LS04N/J N74LS04N/F SN74LS04N/J	TTL	
156-0385-01	N	NP		74LS04	TTL	6-3
156-0385-02	A	CR	Fairchild Motorola National Semiconductor Signetics Texas Instruments	74LS04PCQR/DCQR SN74LS04NDS/JDS DM74LS04NA + /JA + N74LS04NB/FB SN74LS04NP3/JP4	TTL	
156-0386-00	N	NP	Fairchild National Semiconductor Signetics Texas Instruments	74LS10PC/DC DM74LS10N/JA + N74LS10N/F SN74LS10N/J 74LS10	TTL	
156-0386-01	N	NP			TTL	
156-0386-02	A	CR	Fairchild Motorola National Semiconductor Signetics Texas Instruments	74LS10PCQR/DCQR SN74LS10NDS/JDS DM74LS10N/JA + N74LS10NB/FB SN74LS10NP3/JP4	TTL	6-15
156-0387-00	N	NP	National Semiconductor Signetics Texas Instruments	DM74LS73N/J N74LS73N/F SN74LS73N/J 74LS73	TTL	
156-0387-01	N	NP			TTL	6-13
156-0387-02	A	CR	Motorola National Semiconductor Signetics Texas Instruments	SN74LS73NDS/JDS DM74LS73NA + /JA + N74LS73NB/FB SN74LS73NP3/JP4	TTL	
156-0388-00	N	NP	Fairchild Motorola National Semiconductor Texas Instruments	74LS74PC/DC SN74LS74N/J DM74LS74N/J SN74LS74N/J 74LS74	TTL	
156-0388-01	N	NP			TTL	
156-0388-02	N	NP		74LS74	TTL	6-13
156-0388-03	A	CR	Fairchild Motorola Texas Instruments	74LS74APCQR/DCQR SN74LS74ANDS/JDS SN74LS74ANP3/JP4	TTL	
156-0388-04	N	DL	Fairchild Signetics Texas Instruments	74LS74D N74LS74F SN74LS74J	TTL	
156-0389-00	X	NP	Signetics Texas Instruments	N74LS95N/F SN74LS95BN/J 74LS95	TTL	
156-0389-01	X	NP			TTL	6-22
156-0389-02	A	CR	Motorola National Semiconductor Signetics Texas Instruments	SN74LS95NDS/JDS DM74LS95NA + /JA + N74LS95NB/FB SN74LS95NP3/JP4	TTL	
156-0390-00	N	NP	Fairchild National Semiconductor Signetics Texas Instruments	74LS155PC/DC DM74LS155N/J N74LS155N/F SN74LS155N/J 74LS155	TTL	
156-0390-01	N	NP			TTL	
156-0390-02	A	CR	Fairchild Motorola National Semiconductor Signetics Texas Instruments	74LS155PCQR/DCQR SN74LS155NDS/JDS DM74LS155NA + /JA + N74LS155NB/FB SN74LS155NP3/JP4	TTL	6-9

^a For ND Codes (New Design Recommendations) and Status Codes, see tab marked CODES in the back of this catalog.

TEK PART NUMBER TO VENDOR NUMBER (cont)

Part Number	Codes ^a		Vendor	Vendor No.	Type	Page
	ND	ST				
156-0391-00	N	NP	Advanced Micro Devices Fairchild Motorola National Semiconductor Signetics Texas Instruments	SN74LS174N/J 74LS174PC/DC 74LS174N/J DM74LS174N/J N74LS174N/F SN74LS174N/J	TTL	
156-0391-01	N	NP		74LS174	TTL	6-13
156-0391-02	A	CR	Advanced Micro Devices Fairchild Motorola National Semiconductor Signetics Texas Instruments	SN74LS174NB/JB 74LS174PCQR/DCQR SN74LS174NDS/JDS DM74LS174NA + /JA + N74LS174NB/FB SN74LS174NP3/JP4	TTL	
156-0392-00	N	NP	Advanced Micro Devices Fairchild National Semiconductor Signetics Texas Instruments	SN74LS175N/J 74LS175PC/DC DM74LS175N/J N74LS175N/F SN74LS175N/J	TTL	
156-0392-01	N	LR	Advanced Micro Devices Raytheon	AM25LS175PCB/DCB 25LS175J/PC	TTL	
156-0392-02	N	NP		74LS175	TTL	6-13
156-0392-03	A	CR	Advanced Micro Devices Fairchild Motorola National Semiconductor Signetics Texas Instruments	SN74LS175NB/JB 74LS175PCQR/DCQR SN74LS175NDS/JDS DM74LS175NA + /JA + N74LS175NB/FB SN74LS175NP3/JP4	TTL	
156-0393-00	X	LS	MOS Technology	MTC2517-3	MOS	6-5
156-0394-00	X	LS		MCS1020	Memory Selection Guide	
156-0395-00	N	NP	Texas Instruments	SN7490AN/J	TTL	
156-0395-01	N	CR	Texas Instruments	SN7490ANP3/JP4	TTL	
156-0396-00	N	NP	National Semiconductor Signetics	DM8094N/J N74126N/F	TTL	
156-0396-01	N	NP		8094	TTL	
156-0396-02	N	CR	National Semiconductor	DM8094NA + /JA +	TTL	6-4
156-0397-00	N	NP	National Semiconductor Texas Instruments	DM8121N/J SN74251N/J 74251	TTL	
156-0397-01	N	NP			TTL	
156-0397-02	N	CS	National Semiconductor Texas Instruments	DM74251NA + /JA + SN74251NP3/JP4	TTL	6-7
156-0398-00	N	NP	National Semiconductor	DM8551N/J	TTL	
156-0398-01	N	NP		8551	TTL	
156-0398-02	N	CR	National Semiconductor	DM8551NA + /JA +	TTL	6-21
156-0400-00	A	CR	Motorola	MC1436CG	Operational Amp	8-12
156-0401-00	X	LS	Genenerel Instruments	RO-3-2513	MOS	
156-0401-01	U	CS		2513NX	MOS	
156-0402-00	A	CR	Fairchild National Semiconductor NEC America Silicon General	MICROA555TC LM555CN C1555 SG555CY/CM	Special Function	7-11
156-0402-01	A	CR	National Semiconductor	NE555	Special Function	7-11
156-0402-02	X	CR	Electronic Test Center Microtest Systems National Semiconductor Trio-Technology	LM555CN/A +	Special Function	7-11

^a For ND Codes (New Design Recommendations) and Status Codes, see tab marked CODES in the back of this catalog.

INTEGRATED CIRCUIT PART NUMBER INDEX

TEK PART NUMBER TO VENDOR NUMBER (cont)

Part Number	Codes ^a		Vendor	Vendor No.	Type	Page
	ND	ST				
156-0402-03	A	CR	National Semiconductor	LM555CJ	Special Function	7-11
156-0402-04	U	OT		HA17555PS		
156-0402-05	U	SC	Hitachi	HA17555PS		
156-0403-00	N	NP	Fairchild National Semiconductor Signetics Texas Instruments	74S05PC/DC DM74S05N/J N74S05N/F SN74S05N/J	TTL	
156-0403-01	N	NP		74S05	TTL	6-6
156-0403-02	A	CR	Fairchild National Semiconductor Signetics Texas Instruments	74S05PCQR/DCQR DM74S05NA + /JA + N74S05NB/FB SN74S05NP3/JP4	TTL	
156-0404-00	N	NP	Fairchild National Semiconductor Signetics Texas Instruments	74S22PC/DC DM74S22N/J N74S22N/F SN74S22N/J	TTL	6-16
156-0404-01	A	CR	Texas Instruments	SN74S22N/P3	TTL	
156-0405-00	N	NP	Fairchild National Semiconductor Signetics	9602PC/DC DM8602N/J N9602N/F	TTL	6-20
156-0405-01	N	NP		9602	TTL	
156-0405-02	N	NP		9602	TTL	
156-0405-03	N	CR	Fairchild Motorola National Semiconductor ^b Signetics	9602PCQR/DCQR MC9602PDS/LDS DM9602NA + /JA + N9602NB/FB	TTL	6-20
156-0406-00	N	NP	National Semiconductor	DM8090N/J	TTL	
156-0406-01	U	LR		8090		8-3
156-0406-06	U	MP		8090		
156-0407-00	A	CR	Motorola	MC1495L	Linear	
156-0407-01	N	NP		1495L	Linear	
156-0407-02	N	CR	Motorola	MC1495LDS	Linear	
156-0408-00	X	DL		5002P	MOS	5-2
156-0409-00	A	CR	Micrel Mostek	MIC5007P MK5007N/P	MOS	
156-0410-00	A	CR	Micrel Mostek	MIC5009N/P MK5009P/N	MOS	5-2
156-0410-01	X	DL		MK5009	MOS	7-8
156-0411-00	A	CR	Fairchild Motorola National Semiconductor NEC America RCA Signetics	UA399PC LM399N LM339N UPC339C CA339G LM339H	Special Function	
156-0411-01	A	CR	Fairchild Motorola National Semiconductor	UA339PCQR LM399NDS LM399N/A +	Special Function	
156-0411-02	A	CR	Fairchild Motorola National Semiconductor Signetics Silicon General	UA399DCQR LM339JDS LM339J/A + LM399F-B SG10203/339J	Special Function	
156-0412-00	N	NP	Fairchild National Semiconductor Signetics Texas Instruments	74LS193PC/DC DM74LS193N/J N74LS193N/F SN74LS193N/J	TTL	
156-0412-01	N	NP		74LS193	TTL	

^a For ND Codes (New Design Recommendations) and Status Codes, see tab marked CODES in the back of this catalog.

^b For Emergency Use Only.

TEK PART NUMBER TO VENDOR NUMBER (cont)

Part Number	Codes ^a		Vendor	Vendor No.	Type	Page
	ND	ST				
156-0412-02	A	CR	Fairchild Motorola National Semiconductor Signetics Texas Instruments	74LS193PCQR/DCQR SN74LS193NDS/JDS DM74LS193NA + /JA + N74LS193NB/FB SN74LS193NP3/JP4	TTL	6-6
156-0413-00	N	NP	Texas Instruments	AN74S132N/J	TTL	6-17
156-0413-01	N	NP		SN74S132N	TTL	
156-0413-02	A	CR	Fairchild Signetics Texas Instruments	74S132DCQR/PCQR N74S132NB/FB SN74S132NP3/JP4	TTL	
156-0414-00	X	DL	Harris	H1-1800-5	CMOS	Special Function
156-0415-00	N	NP	CPS, Inc. Function Mods Hybrid Systems Zeltex	411-12-BIN-I 411-12-BIN-I DAC-411 Z50249		
156-0415-01	N	NP		411-12-BIN-I	Linear	
156-0415-02	U	SC				
156-0416-00	X	DL	Signetics	N8243N	TTL	
156-0418-00	N	NP	Fairchild National Semiconductor Signetics Texas Instruments	74S30PC/DC DM74S30N/J N74S30N/F SN74S30N/J	TTL	
156-0418-01	A	CR	Fairchild National Semiconductor Texas Instruments	74S30PCQR/DCQR DM74S30NA + /JA + SN74S30N3/J4	TTL	6-16
156-0419-00	N	NP	Fairchild National Semiconductor Signetics Texas Instruments	74S140PC/DC DM74S140N/J N74S140N/F SN74S140N/J	TTL	
156-0419-01	N	NP		SN74S140N	TTL	6-10
156-0419-02	A	CR	Fairchild National Semiconductor Signetics Texas Instruments	74S140PCQR/DCQR DM74S140NA + /JA + N74S140NB/FB SN74S140NP3/JP4	TTL	
156-0420-00	A	CR	National Semiconductor	LM321H	Operational Amp	8-10
156-0421-00	X	DL	Fairchild	3341DC	MOS	
156-0422-00	N	NP	Fairchild National Semiconductor Signetics Texas Instruments	74LS191PC/DC DM74LS191N/J N74LS191N/F SN74LS191N/J	TTL	
156-0422-01	N	NP		74LS191	TTL	6-6
156-0422-02	A	CR	Advanced Micro Devices Fairchild Motorola Signetics Texas Instruments	SN74LS191NB 74LS191PCQR/DCQR SN74LS191NDS/JDS N74LS191NB/FB SN74LS191NP3/JP4	TTL	
156-0423-00	X	CS	General Instruments Signetics	R0-3-2513 2513N/CM8180 2513N		
156-0423-01	X	CS		ITT7433N	TTL	
156-0424-00	N	NP	ITT Signetics Texas Instruments	N7433A SN7433N		
156-0424-01	N	NP		7433	TTL	6-3
156-0424-02	N	CR	Signetics Texas Instruments	N7433NB/FB SN7433NP3/JP4	TTL	
156-0425-00	U	CS	National Semiconductor Texas Instruments	DM74S288ASX/N TBP185030	TTL	

^a For ND Codes (New Design Recommendations) and Status Codes, see tab marked CODES in the back of this catalog.

TEK PART NUMBER TO VENDOR NUMBER (cont)

Part Number	Codes ^a		Vendor	Vendor No.	Type	Page
	ND	ST				
156-0426-00	N	CR	American Micro Systems Fairchild Motorola	S6800E F6800S MC6800S	Multifunction	1-3
156-0426-01	N	OT		6800	Multifunction	1-3
156-0426-02	X	DL	American Micro Systems	S6800	Multifunction	
156-0426-03	N	CS	Motorola	SC67013LK	Multifunction	
156-0426-04	X	CS	American Micro Systems Motorola	S68B00 MC68B00L	Multifunction	1-3
156-0426-05	N	CR	Motorola	MC6800LD	Multifunction	1-3
156-0427-00	X	CS	American Micro Systems Fairchild Motorola Synertek	S6820P/E 6820PC/DC MC6820L/P SY6520P/D	Multifunction	
156-0427-01	X	CS		6820	Multifunction	
156-0427-02	X	DL		6820	Multifunction	
156-0427-03	A	CR	American Micro Systems Fairchild Motorola	6821PIA F6821DC MC6821L	Multifunction	1-8
156-0427-04	A	CR	Motorola	MC6821LD/PD	Multifunction	1-8
156-0428-00	X	SC		MDS-1240	Special Function	
156-0429-00	X	SC		LF3574		
156-0431-00	A	CR	Precision	OP-02GRBCG	Operational Amp	8-8
156-0432-00	A	CR	INMOS	IMS2600S-12	Memory Selection Guide	2-2
156-0433-00	U	CR	National Semiconductor	LF398N	Special Function	7-10
156-0434-00	U	CR	Intel	8089	Multifunction	1-3
156-0435-00	U	CR	Intel	8289	Multifunction	1-8
156-0436-00	A	PP	National Semiconductor	MM74C244N	CMOS	3-2 & 3
156-0437-00	U	CR	Texas Instruments	SN74LS593P3/N4	TTL	6-6
156-0438-00	A	CR	Motorola Texas Instruments	SN74LS541N/J SN74LS541N/J	TTL	6-11
156-0439-00	X	DL		HD100164F	ECL	
156-0440-00	X	CR	Texas Instruments	SN75473P	TTL	6-12
156-0441-00	U	CR	Fairchild Motorola Signetics	74F521PC/DC MC74F521ND/JD N74F521N	TTL	7-8
156-0441-01		SC		74F521	Linear	
156-0442-00	U	CR	Monolithic	PAL16R8-4CP	TTL	6-19
156-0443-00	U	PP	Analog Devices	AD590KH	Special Function	7-10
156-0443-01		CR	Analog Devices	AD590LH	Special Function	7-10
156-0444-00	U	NP	National Semiconductor	LM363AD/A+	Linear	
156-0444-01	U	NP		LM363AD	Linear	
156-0445-00	U	SC		UPC7912H1A		
156-0446-00	U	SC		UPC7812H1A		
156-0447-00	U	C		DTC114Y		
156-0448-00	U	SC		Z8030A		
156-0449-00	U	DL		TC40H366P		
156-0450-00	U	SC		HM4864P-2		
156-0451-00	N	NP	Signetics Texas Instruments	N74128N/F SN74128N/J	TTL	
156-0451-01	N	NP		74128	TTL	
156-0451-02	N	CR	Signetics Texas Instruments	N74128NB/FB SN74128NP3/JP4	TTL	6-3
156-0451-03	X	DL		74128	TTL	
156-0452-00	N	NP	Texas Instruments	SN74LS54N/J	TTL	
156-0452-01	N	NP		74LS54	TTL	
156-0452-02	A	CR	Fairchild Motorola National Semiconductor Texas Instruments	74LS54PCQR/DCQR SN74LS54ND/JD DM74LS54NA+ /JA+ SN74LS54NP3/JP4	TTL	6-16

^a For ND Codes (New Design Recommendations) and Status Codes, see tab marked CODES in the back of this catalog.

TEK PART NUMBER TO VENDOR NUMBER (cont)

Part Number	Codes ^a		Vendor	Vendor No.	Type	Page
	ND	ST				
156-0453-00	X	DL		MM5055N	MOS	
156-0453-01	X	CS	Advanced Micro Devices	AM2855	MOS	
156-0453-02	X	NP			MOS	
156-0453-03	X	CS	Advanced Micro Devices	AM2855PCB/DCB	MOS	5-2
156-0454-00	N	CS	Intel	C8008	Multifunction	
156-0454-01	N	NP		IC8008	Multifunction	
156-0455-00	N	NP	National Semiconductor	DS8837N/J	TTL	
156-0455-01	N	NP		8837	TTL	
156-0455-02	N	CR	National Semiconductor	DM8837N/A +	TTL	6-12
156-0456-00	N	NP	National Semiconductor	DS8836N	TTL	
			Signetics	N8T380A		
156-0456-01	N	NP		8836	TTL	
156-0456-02	N	CR	National Semiconductor	DS8836NA + /JA +	TTL	6-12
156-0457-00	X	LS		MC1035P	ECL	
156-0458-00	A	CR	Motorola	MC10104L	ECL	4-6
156-0458-01	A	CR	Motorola	MC10104PD/LD	ECL	4-6
156-0459-00	N	NP	Fairchild	74S08PC/DC	TTL	
			Signetics	N74S08N/F		
			Texas Instruments	SN74S08N/J		
156-0459-01	N	NP		74S08	TTL	
156-0459-02	A	CR	Fairchild	74S08PCQR/DCQR	TTL	6-15
			Signetics	N74S08NB/FB		
			Texas Instruments	SN74S08NP3/JP4		
156-0460-00	N	NP	Fairchild	7409PC/DC	TTL	
			National Semiconductor	DM7409N/J		
			Texas Instruments	SN7409N/J		
156-0460-01	N	CR	Fairchild	7409PCQR/DCQR	TTL	6-15
			National Semiconductor	DM7409NA + /JA +		
			Texas Instruments	SN7409NP3/JP4		
156-0461-00	A	OB		MC1594L	Linear	
156-0462-00	N	NP		7414	TTL	
156-0462-01	N	NP		7414	TTL	
156-0462-02	N	CR	Fairchild	7414PCQR/DCQR	TTL	6-3
			National Semiconductor	DM7414NA +		
			Signetics	N7414NB/FB		
			Texas Instruments	SN7414N/J		
156-0463-00	X	LS	National Semiconductor	MM5203Q	Memory Selection Guide	
156-0464-00	N	NP	Fairchild	74LS20PC/DC	TTL	
			Motorola	74LS20N/J		
			National Semiconductor	DM74LS20N/J		
			Signetics	N74LS20N/F		
			Texas Instruments	SN74LS20N/J		
156-0464-01	N	NP		74LS20	TTL	
156-0464-02	A	CR	Fairchild	74LS20PCQR/DCQR	TTL	6-16
			Motorola	SN74LS20NDS/JDS		
			National Semiconductor	DM74LS20NA + /JA +		
			Signetics	N74LS20NB/FB		
			Texas Instruments	SN74LS20NP3/JP4		
156-0465-00	N	NP	Fairchild	74LS30PC/DC	TTL	
			National Semiconductor	DM74LS30N/J		
			Signetics	N74LS30N/F		
			Texas Instruments	SN74LS30N/J		
156-0465-01	N	NP		74LS30	TTL	
156-0465-02	A	CR	Fairchild	74LS30PCQR/DCQR	TTL	6-16
			Motorola	SN74LS30NDS/JDS		
			National Semiconductor	DM74LS30NA + /JA +		
			Signetics	N74LS30NB/FB		
			Texas Instruments	SN74LS30NP3/JP4		

^a For ND Codes (New Design Recommendations) and Status Codes, see tab marked CODES in the back of this catalog.

TEK PART NUMBER TO VENDOR NUMBER (cont)

Part Number	Codes ^a		Vendor	Vendor No.	Type	Page
	ND	ST				
156-0466-00	X	NP	Fairchild National Semiconductor Signetics Texas Instruments	74LS37PC/DC DM74LS37N/J N74LS37N/F SN74LS37N/J 74LS37	TTL	
156-0466-01	X	NP			TTL	
156-0466-02	A	CR	Fairchild National Semiconductor Signetics Texas Instruments	74LS37PCQR/DCQR DM74LS37NA + /JA + N74LS37NB/FB SN74LS37NP3/JP4 74LS38	TTL	6-3
156-0467-00	N	NP			TTL	
156-0467-01	N	NP		74LS38	TTL	
156-0467-02	A	CR	Fairchild Motorola Signetics Texas Instruments	74LS38PCQR/DCQR SN74LS38NDS/JDS N74LS38NB/FB SN74LS38NP3/JP4	TTL	6-3
156-0468-00	U	DL		SN74LS38	TTL	
156-0468-01	U	DL		74LS38	TTL	
156-0469-00	N	NP		74LS138	TTL	
156-0469-01	N	NP		74LS138	TTL	
156-0469-02	A	CR	Advanced Micro Devices Fairchild Motorola Signetics Texas Instruments	SN74LS138NB2/JB2 74LS138PCQR/DCQR SN74LS138NDS/JDS N74LS138NB/FB SN74LS138NP3/JP4	TTL	6-9
156-0470-00	N	NP	Advanced Micro Devices Fairchild Motorola National Semiconductor Texas Instruments	SN74LS251NB2/JB2 74LS251PC/DC 74LS251N/J DM74LS251N/J SN74LS251N/J	TTL	
156-0470-01	N	NP		74LS251	TTL	
156-0470-02	A	CR	Advanced Micro Devices Fairchild Motorola Texas Instruments	SN74LS251NB2/JB2 74LS251PCQR/DCQR SN74LS251NDS/JDS SN74LS251NP3/JP4	TTL	6-7
156-0471-00	N	NP		74LS253	TTL	
156-0471-01	N	NP		74LS253	TTL	
156-0471-02	A	CR	Advanced Micro Devices Fairchild Motorola National Semiconductor Signetics Texas Instruments	SN74LS253NB2/JB2 74LS253PCQR/DCQR SN74LS253NDS/JDS DM74LS253NA + /JA + N74LS253NB/FB SN74LS253NP3/JP4	TTL	6-7
156-0472-00	N	NP		74S133	TTL	
156-0472-01	N	NP		74S133	TTL	
156-0472-03	A	CR	Fairchild National Semiconductor Signetics Texas Instruments	74S133DCQR/PCQR DM74S133NA + /JA + N74S133NB/FB SN74S133NP3/JP4	TTL	6-17
156-0473-00	N	NP	National Semiconductor	DM8092N/J	TTL	
156-0473-01	N	NP		8092	TTL	
156-0473-02	N	LR		8092	TTL	
156-0474-00	U	CS	Amperex	ATF267	Operational Amp	
156-0475-00	A	CS	National Semiconductor	LH0033CG	Operational Amp	8-8
156-0476-00	A	CR	Intersil Siliconix	LD1 10CJ LD110CJ	Special Function	7-3
156-0477-00	X	OB	Siliconix	LD111CJ	Linear	
156-0478-00	N	NP		74LS21	TTL	
156-0478-01	N	NP		74LS21	TTL	

^a For ND Codes (New Design Recommendations) and Status Codes, see tab marked CODES in the back of this catalog.

TEK PART NUMBER TO VENDOR NUMBER (cont)

Part Number	Codes ^a		Vendor	Vendor No.	Type	Page
	ND	ST				
156-0478-02	A	CR	Fairchild Motorola National Semiconductor Signetics Texas Instruments	74LS21PCQR/DCQR SN74LS21NDS/JDS DM74LS21NA + /JA + N74LS21NB/FB SN74LS21NP3/JP4	TTL	6-16
156-0479-00	N	NP	Fairchild National Semiconductor Signetics Texas Instruments	74LS32PC/DC DM74LS32N/J N74LS32N/F SN74LS32N/J	TTL	
156-0479-01	N	NP		74LS32	TTL	
156-0479-02	A	CR	Fairchild Motorola National Semiconductor Signetics Texas Instruments	74LS32PCQR/DCQR SN74LS32NDS/JDS DM74LS32NA + /JA + N74LS32NB/FB SN74LS32NP3/JP4	TTL	6-16
156-0479-03	N	NP	Motorola Texas Instruments	SN74LS32NDS SN74LS32NP3	TTL	
156-0479-04	N	CR	Fairchild ^b Motorola Texas Instruments	74LS32DCQR SN74LS32NDS/JDS SN74ALS32NP3/JP4	TTL	6-16
156-0480-00	N	NP	Fairchild Motorola National Semiconductor Signetics Texas Instruments	74LS08PC/DC SN74LS08N/J DM74LS08N/J N74LS08N/F SN74LS08N/J	TTL	
156-0480-01	N	NP		74LS08	TTL	
156-0480-02	A	CR	Fairchild Motorola National Semiconductor Signetics Texas Instruments	74LS08PCQR/DCQR SN74LS08NDS/JDS DM74LS08NA + /JA + N74LS08NB/FB SN74LS08NP3/JP4	TTL	6-15
156-0481-00	N	NP	Fairchild Motorola National Semiconductor Signetics Texas Instruments	74LS11PC/DC SN74LS11N/J DM74LS11N/J N74LS11N/F SN74LS11N/J	TTL	
156-0481-01		NP		74LS11	TTL	
156-0481-02	A	CR	Fairchild Motorola National Semiconductor Signetics Texas Instruments	74LS11PCQR/DCQR SN74LS11NDS/JDS DM74LS11NA + /JA + N74LS11NB/FB SN74LS11NP3/JP4	TTL	6-15
156-0482-00	N	NP	National Semiconductor	DM74S196N/J	TTL	
156-0482-01	A	LR	National Semiconductor	DM74S196NA + /JA +	TTL	6-6
156-0483-00	X	NP	Advanced Micro Devices	AM26S12APC	TTL	
156-0483-01	N	CR	Advanced Micro Devices	AM26S12PCB/DCB	TTL	6-10
156-0484-00	N	CR	National Semiconductor	LH0022CH	Operational Amp	8-10
156-0485-00	X	LS		2533V	MOS	
156-0485-01	X	NP		2533V	MOS	
156-0486-00	U	DL		MM6300N	TTL	
156-0487-00	N	NP	Advanced Micro Devices Fairchild	AM96L02PC 96L02PC	TTL	
156-0487-01	N	NP		96L02	TTL	
156-0487-02	N	CR	Advanced Micro Devices Fairchild National Semiconductor	SN96L02NB2 96L02PCQR/DCQR DM96L02NA + /JA +	TTL	6-20
156-0488-00	N	LS	Fairchild	93L22PC	TTL	

^a For ND Codes (New Design Recommendations) and Status Codes, see tab marked CODES in the back of this catalog.

^b Emergency Vendor only.

TEK PART NUMBER TO VENDOR NUMBER (cont)

Part Number	Codes ^a		Vendor	Vendor No.	Type	Page
	ND	ST				
156-0488-01	N	LR		93L22	TTL	
156-0489-00	U	DL		SN74L193N		
156-0490-00	N	NP	National Semiconductor	DM74L42AN/J	TTL	
156-0490-01	N	NP		74L42	TTL	
156-0490-02	N	LS	National Semiconductor	DM86L42NA + /JA +		
156-0491-00	X	LS		MC2257L		
156-0491-01	X	DL		MC2257L		
156-0492-00	X	LS		MC2259L	MOS	
156-0492-01	X	DL		MC2259L	MOS	
156-0493-00	N	NP	Fairchild	9368DC	TTL	
156-0493-01	N	NP		9368PC	TTL	
156-0493-02	U	CR	Fairchild	9368PCQR/DCQR	TTL	6-9 & 12
156-0494-00	N	NP	Motorola RCA	MC14049UBCL CD4049UBF	CMOS	
156-0494-01	X	NP		4049	CMOS	
156-0494-02	A	CR	Motorola RCA	MC14049UBCLD CD4049UBFX	CMOS	3-2
156-0495-00	A	CR	Motorola National Semiconductor NEC America RCA Silicon General Texas Instruments	LM324N LM324N UPC324C CA324G SG324N LM324N	Operational Amp	8-8
156-0495-01	A	CR	Motorola National Semiconductor	LM224N/J LM224J	Operational Amp	8-8
156-0495-02	A	CR	Signetics Texas Instruments Motorola National Semiconductor Silicon General Texas Instruments	LM224F/N LM224J/N SC73198L LM7324J/A + SG9872/3245 LM324J4	Operational Amp	8-8
156-0495-03	U	DL		LM324	Operational Amp	
156-0496-00	A	CR	Raytheon Silicon General	RC4194DC SG4194CJ	Linear	8-6
156-0496-01	A	CR	Raytheon	RC4194DC	Linear	8-6
156-0497-00	N	NP		8273B	TTL	
156-0497-01	N	NP		82738	TTL	
156-0497-02	N	CR	Signetics	N8273NB/FB	TTL	6-22
156-0498-00	N	CR	Signetics	N8274N/F	TTL	6-22
156-0498-01	X	DL		8274B	TTL	
156-0499-00	X	LS		TMS4024NC	CMOS	
156-0499-01	X	NP		TMS4024NC	CMOS	
156-0500-00	U	TC		QC1313A	Linear	
156-0501-00	U	TX		MC7805CP		
156-0502-00	N	NP	Motorola RCA	MC14008BCL CD4008BF	CMOS	
156-0502-01	X	NP		4008	CMOS	
156-0502-02	A	CR	Motorola RCA RCA	MC14008BCLD CD4008BFX CD4009UBF	CMOS	3-2
156-0503-00	N	NP		4009	CMOS	
156-0503-01	X	NP		4009	CMOS	
156-0503-02	N	CR	National Semiconductor RCA	CD4009CJ/A + CD4009UBFX	CMOS	3-2
156-0504-00	N	NP	National Semiconductor RCA	MM5610AJ CD4010BF	CMOS	
156-0504-01	N	DL		4010	CMOS	

^a For ND Codes (New Design Recommendations) and Status Codes, see tab marked CODES in the back of this catalog.

TEK PART NUMBER TO VENDOR NUMBER (cont)

Part Number	Codes ^a		Vendor	Vendor No.	Type	Page
	ND	ST				
156-0504-02	U	CR	National Semiconductor	CD4010JA+	CMOS	3-2
156-0505-00	N	CR	RCA	CD4010BFX	CMOS	3-5
156-0505-01	X	NP	Motorola	MC14519BCL	CMOS	3-5
156-0505-02	A	CR	Motorola Trio-Tech Microtest	14519C MC14519BCLD	CMOS	
156-0506-00	N	CR	National Semiconductor	DS8831N/J	TTL	6-12
156-0507-00	A	DL		75491	TTL	
156-0508-00	N	NP		74279	TTL	6-18
156-0508-01	N	NP		74279	TTL	
156-0508-02	N	CR	Fairchild	74279PCQR/DCQR	TTL	
			Signetics Texas Instruments	N74279NB/FB SN74279NP3/JP4		
156-0509-00	A	CR	Advanced Micro Devices	AM1408L8	Special Function	7-4
			Motorola Precision Signetics	MC1408L8 SSS1408A-021 MC14088N		
156-0509-01	U	DL		MC1408L-8	Special Function	
156-0509-02	U	DL		MC1408L	Special Function	7-4
156-0509-03	A	CR	Advanced Micro Devices	AM1408L8-B	Special Function	
156-0510-00	X	CR	Motorola	MC1408L8DS MC10137L	ECL	4-3
156-0511-00	N	CR	Raytheon	RC4531NB	Operational Amp	8-8
			Signetics	NE531N		
156-0511-01	N	CR	Raytheon	RL4531NB	Operational Amp	8-8
			Signetics	NE531NB		
156-0511-02	N	CS	Signetics	NE531N-IIB	Operational Amp	8-10
156-0512-00	A	CR	Advanced Micro Devices	LM308N	Operational Amp	
			Motorola	LM308N		
			National Semiconductor	LM308N		
156-0512-01	A	CR	Motorola	LM308NDS	Operational Amp	8-10
			National Semiconductor	LM308N/A+		
156-0512-02	A	CR	Motorola	LM308J-8DS	Operational Amp	8-10
			National Semiconductor	LM308J-8/A+		
			Raytheon	LM308DEB		
156-0512-03	A	CR	Silicon General	SG9427/308Y	Operational Amp	8-10
			Motorola	LM308J-8		
			National Semiconductor	LM307J-8		
			Raytheon	LM308DE		
156-0513-00	A	CR	Fairchild	4051BDC	Special Function	7-7
			Harris Semiconductor	HD1-4051B		
			Motorola	MC14051BCL		
			National Semiconductor	LD34051BCL		
156-0513-01	X	NP		4051	Special Function	7-7
156-0513-02	A	CR	Motorola	MC14051BCLD	Special Function	
			National Semiconductor	CD4051CJ/A+		
			RCA	CD4051BFX		
156-0513-03		CR	Motorola	MC14051BCL	Special Function	7-7
156-0514-00	A	CR	Fairchild	34052BD	Special Function	7-7
			Motorola	MC14052BCL		
			RCA	CD4052BF		
156-0514-01	A	CR	Motorola	MC14052BLD	Special Function	7-7
			RCA	CD4052BFX		
156-0514-02	A	CR	Fairchild	4052BDC	Special Function	7-7
			Motorola	MC14052BCP		
156-0514-03	N	SC		4052	CMOS	7-7
156-0515-00	A	CR	Harris	HD1-4053B	Special Function	
			Motorola	MC14053BCL		
			RCA	CD4053BF98		
156-0515-01	U	NP		14053B	Special Function	

^a For ND Codes (New Design Recommendations) and Status Codes, see tab marked CODES in the back of this catalog.

INTEGRATED CIRCUIT PART NUMBER INDEX

TEK PART NUMBER TO VENDOR NUMBER (cont)

Part Number	Codes ^a		Vendor	Vendor No.	Type	Page
	ND	ST				
156-0515-02	A	CR	Motorola RCA	MC14053BCLD CD4053BFX	Special Function	7-7
156-0515-03	A	CR	Motorola RCA	MC14052BCL CD4053BF	Special Function	7-7
156-0515-04	A	NP		4053B	Special Function	7-7
156-0516-00	N	CR	Analog Devices	AD523J	Operational Amp	8-11
156-0517-00	A	LR	Texas Instruments	TL442CN	Linear	8-3
156-0517-01	N	DL		TL442CN	Linear	8-3
156-0518-00	A	CR	Motorola	MC12040L/P	Special Function	7-9
156-0519-00	N	NP	Motorola RCA	MC14018BCL CD4018BF	CMOS	
156-0519-01	A	CR	Motorola RCA	MC14018BCLDS CD4018BFX	CMOS	3-3
156-0520-00	A	CR	Motorola	MC10133P/L	ECL	4-8
156-0520-01	A	CR	Motorola	MC10133PD/LD	ECL	4-8
156-0520-02	U					
156-0521-00	N	NP	Advanced Micro Devices Fairchild Texas Instruments	AM9308PC 9308PC SN74116N	TTL	
156-0521-01	N	NP		9308	TTL	
156-0521-02	N	CR	Advanced Micro Devices Fairchild Texas Instruments	AM9308PCB2 74116PC/DCQR SN74116NP3/JP4	TTL	6-18
156-0522-00	N	NP		74S257	TTL	
156-0522-01	N	NP		74S257	TTL	
156-0522-02	A	CR	Advanced Micro Devices Fairchild National Semiconductor Signetics Texas Instruments	SN74S257NB/JB 74S257DCQR/PCQR DM74S257NB/JB N74S257NB/FB SN74S257NP3/JP4	TTL	6-7
156-0523-00	N	NP	Fairchild Motorola	34024BDC MC14024BCL	CMOS	
156-0523-01	A	CR	Fairchild Motorola RCA	4024BDC MC14024BCLD CD4024BFX	CMOS	3-3
156-0524-00	N	NP	Motorola RCA	MC14023BCL CD4023BF	CMOS	
156-0524-01	X	NP		4023	CMOS	
156-0524-02	A	CR	Motorola RCA	MC14023BCLDS CD4023BFX	CMOS	3-5
156-0525-00	N	NP	Fairchild Motorola	4027DC MC14027B	CMOS	
156-0525-01	X	NP		4027	CMOS	
156-0525-02	N	CS	Fairchild	4027DC	CMOS	
156-0525-03	A	CR	Motorola Trio-Tech Microtest	MC14027BCLD	CMOS	3-4
156-0526-00	N	NP	Advanced Micro Devices Fairchild National Semiconductor Signetics Texas Instruments	SN74LS192N 74LS192PC DM74LS192N N74LS192B SN74LS192N	TTL	
156-0526-01	N	NP		74LS192	TTL	
156-0526-02	A	CR	Advanced Micro Devices Fairchild National Semiconductor Signetics Texas Instruments	SN74LS192PDB/DCB 74LS192PCQR/DCQR DM74LS192NA + /JA + N74LS192NB/FB SN74LS192NP3/JP4	TTL	6-6

^a For ND Codes (New Design Recommendations) and Status Codes, see tab marked CODES in the back of this catalog.

TEK PART NUMBER TO VENDOR NUMBER (cont)

Part Number	Codes ^a		Vendor	Vendor No.	Type	Page
	ND	ST				
156-0527-00	A	CR	Motorola Silicon General Texas Instruments	MC7915CT SG7915CP UA7915CKC	Linear	8-5
156-0527-01	A	PP	Motorola	MC7915CTD	Linear	8-5
156-0527-02	A	CR	Unitrode	UC7915ACT	Linear	8-5
156-0528-00	X	DL		5204	Memory Selection Guide	
156-0529-00	N	NP	Fairchild Motorola Signetics Texas Instruments	74LS257PC/DC SN74LS257N/J N74LS257N/F SN74LS275N/J 74LS257	TTL	
156-0529-01	N	NP			TTL	
156-0529-02	A	CR	Advanced Micro Devices Fairchild Motorola Texas Instruments	SN74LS257NB2/JB2 74LS257PCQR/DCQR SN74LS257NDS/JDS SN74LS257NP3/JP4	TTL	6-7
156-0530-00	N	NP	Advanced Micro Devices Fairchild National Semiconductor Texas Instruments	SN74LS157N 74LS157PC DM74LS157N SN74LS157N	TTL	
156-0530-01	N	NP		74LS157	TTL	
156-0530-02	A	CR	Advanced Micro Devices Fairchild Motorola Signetics Texas Instruments	SN74LS157NB2/JB2 74LS157PCQR/DCQR SN74LS157NDS/JDS SN74LS157NP3/JP4	TTL	6-7
156-0531-000	N	NP	National Semiconductor	DS8833N	TTL	
156-0531-01	N	NP		8833	TTL	
156-0531-02	N	CR	National Semiconductor	DM8833NA + /JA +	TTL	6-12
156-0532-00	A	CR	Analog Devices	171J	Operational Amp	8-12
156-0533-00	U	DL		8223	TTL	
156-0535-00	N	NP	National Semiconductor	DM8097N/J	TTL	
156-0535-01	N	NP		8097	TTL	
156-0535-02	N	CR	National Semiconductor	DM8097NA + /JA +	TTL	6-4
156-0536-00	N	NP	Texas Instruments	SN74177N	TTL	
156-0536-01	N	NP		SN74177	TTL	
156-0536-02	N	CR	Fairchild Texas Instruments	74177PCQR/DCQR SN74177NP3/JP4	TTL	6-5 & 18
156-0537-00	N	NP	National Semiconductor	DM8130N	TTL	
156-0537-01	N	CR	National Semiconductor	DM8130NA + /JA +	TTL	6-2
156-0538-00	N	NP		74LS22	TTL	
156-0538-01	N	NP		74LS22	TTL	
156-0538-02	N	CR	Fairchild National Semiconductor Signetics Texas Instruments	74LS22PCQR/DCQR DM74LS22NA + /JA + N74LS22NB/FB SN74LS22NP3/JP4	TTL	6-16
156-0539-00	N	CR	National Semiconductor	DM8136N	TTL	6-2
156-0539-01	N	CR	National Semiconductor	DM8136NA +	TTL	6-2
156-0539-02	X	NP		8136	TTL	
156-0540-00	U	LS	Powerex	SC261DX24	MOS	
156-0541-00	N	NP		74LS139	TTL	
156-0541-01	N	NP		74LS139	TTL	
156-0541-02	A	CR	Fairchild Motorola Signetics Texas Instruments	74LS139PCQR/DCQR SN74LS139NDS/JDS N74LS139NB/FB SN74LS139NP3/JP4	TTL	6-9
156-0542-00	A	CR	Signetics	N10189N/F	ECL	4-2
156-0542-01	A	CR	Motorola Signetics	MC10189PD/LD 10189N	ECL	4-2
156-0543-00	A	CR	Signetics	10188N/F	ECL	4-2
156-0543-01	A	CR	Motorola Signetics	MC10188PD/LD 10188NB/FB	ECL	4-2

^a For ND Codes (New Design Recommendations) and Status Codes, see tab marked CODES in the back of this catalog.

TEK PART NUMBER TO VENDOR NUMBER (cont)

Part Number	Codes ^a		Vendor	Vendor No.	Type	Page
	ND	ST				
156-0544-00	N	CS	Advanced Micro Devices	93L34PCB2/DCB2	TTL	6-18
156-0544-01	X	DL	Fairchild	93L34PC/DC	TTL	6-16
156-0544-02	N		Advanced Micro Devices	93L34	TTL	6-18
			Fairchild	93L34PCB2/DCB2		
				93L34PCQR/DCQR		
156-0545-00	N	NP	Fairchild	4040BDC	CMOS	
156-0545-01	A	CR	Motorola	MC14040BCL	CMOS	3-3
			Fairchild	4040BDCQR		
			Motorola	MC14040BCLD		
			RCA	CD4040BFX		
156-0546-00	N	CR	Burr-Brown	3430J	Linear	7-10
156-0547-00	N	CR	Harris	HD1-74C157	CMOS	3-4
			National Semiconductor	MM74C157J		
156-0547-01	N	NP		745C157	CMOS	
156-0547-02	X	CR	Harris		CMOS	3-4
			Microtest			
			National Semiconductor	MM74C157NA+		
			Trio-Technology			
156-0547-03	A	CR	National Semiconductor	MM74C157JA+	CMOS	3-4
156-0548-00	N	NP	Motorola	MC14585BCL	CMOS	
156-0548-01	U	NP		14585	CMOS	
156-0548-02	A	CR	Motorola	MC14585BCLD	CMOS	3-2
156-0549-00	N	CS		7400J	TTL	6-14
156-0549-01	N	NP		7400J	TTL	6-14
156-0550-00	N	CS		7401J	TTL	6-14
156-0550-01	N	NP		7401J	TTL	6-14
156-0551-00	N	CS	Fairchild	7402DC/PC	TTL	6-14
			National Semiconductor	DM7402J/N		
			Signetics	N7402F/N		
			Texas Instruments	SN7402J/N		
156-0551-01	N	NP		7402J	TTL	6-14
156-0552-00	N	CS		7404J	TTL	6-3
156-0552-01	N	NP		7404J	TTL	6-3
156-0553-00	N	CS		7410J	TTL	6-15
156-0553-01	N	NP		7410J	TTL	6-15
156-0554-00	N	CS	Fairchild	7420DC/PC	TTL	6-15
			National Semiconductor	DM7420J/N		
			Signetics	N7420F/N		
			Texas Instruments	SN7420J/N		
156-0554-01	N	NP		7420J	TTL	6-15
156-0555-00	N	CS	Fairchild	7430DC/PC	TTL	6-16
			National Semiconductor	DM7430J/N		
			Signetics	N7430F/N		
			Texas Instruments	SN7430J/N		
156-0555-01	N	NP		7430J	TTL	6-16
156-0556-00	N	CS		7442J	TTL	6-9
156-0556-01	N	NP		7442J	TTL	6-9
156-0557-00	N	CS		7473J	TTL	6-13
156-0557-01	N	CS		7473J	TTL	6-13
156-0558-00	N	CS		7474J	TTL	6-13
156-0558-01	N	NP		7474J	TTL	6-13
156-0559-00	N	CS		7475J	TTL	6-18
156-0559-01	N	NP		7475J	TTL	6-18
156-0560-00	N	CS		7476J	TTL	6-13
156-0560-01	N	NP		7476J	TTL	6-13
156-0561-00	N	CS		7493AJ	TTL	6-5
156-0561-01	N	NP		7493J	TTL	6-5
156-0562-00	N	CR	Texas Instruments	74121J	TTL	6-20
156-0562-01	N	NP		74121	TTL	6-20
156-0563-00	N	CS		74151J	TTL	6-7

^a For ND Codes (New Design Recommendations) and Status Codes, see tab marked CODES in the back of this catalog.

TEK PART NUMBER TO VENDOR NUMBER (cont)

Part Number	Codes ^a		Vendor	Vendor No.	Type	Page
	ND	ST				
156-0563-01	N	NP		74151J	TTL	6-7
156-0564-00	N	CS		74154J	TTL	6-9
156-0564-01	N	NP		74154J	TTL	6-9
156-0565-00	N	CS		74193J	TTL	6-6
156-0565-01	N	NP		74193J	TTL	6-6
156-0566-00	N	DL	Harris National Semiconductor	HD1-74C42 MM74C42J	CMOS	
156-0566-01	X	DL		74C42	CMOS	
156-0566-02	A	CR	Harris Microtest National Semiconductor Trio-Technology	MM74C42JA +	CMOS	3-4
156-0567-00	N	NP	Fairchild Motorola ^b National Semiconductor Signetics Texas Instruments	74LS113PC/DC SN74LS113N/J DM74LS113N/J N74LS113N/F SN74LS113N/J	TTL	
156-0567-01	N	NP		74LS113N	TTL	
156-0567-02	A	CR	Fairchild Motorola National Semiconductor Signetics Texas Instruments	74LS113PCQR/DCQR SN74LS113NDS/JDS DM74LS113NA + /JA + N74LS1132NB/FB SN74LS113NP3/JP4	TTL	6-13
156-0568-00	A	NP	Fairchild Motorola	4014DC MC14014BCL	CMOS	
156-0568-01	A	LS	Fairchild Motorola	4014DCWR MC14014BCLD	CMOS	3-7
156-0569-00	N	CR	Advanced Micro Devices Fairchild National Semiconductor Signetics Texas Instruments	SN74LS190N/J 74LS190PC/DC DM74LS190N/J DM74LS190N/F SN74LS190N/J	TTL	6-5
156-0569-01	A	DL	Motorola Texas Instruments	SN74LS190NDS SN74LS190NP3	TTL	
156-0570-00	A	CR	Linear Technology National Semiconductor	LM319H LM319H	Special Function	7-8
156-0570-01	N	NP		LM319H	Special Function	
156-0571-00	U	DL		MC1407L	Linear	
156-0572-00	N	NP	Harris National Semiconductor	HD1-74C164 MM74C164J	CMOS	
156-0572-01	X	NP		74C164	CMOS	
156-0572-02	A	CR	National Semiconductor	MM74C164NA +	CMOS	3-7
156-0573-00	U	LS	Motorola	6605AL	MOS	
156-0574-00	N	NP	Harris National Semiconductor	HD1-74C173 MM74C173J	CMOS	
156-0574-01	X	NP		74C173	CMOS	
156-0574-02	A	CR	Fairchild National Semiconductor	4076BDCQR MM74C173JA + /NA +	CMOS	3-4
156-0575-00	N	NP	Fairchild Motorola	4025DC MC14025BCL	CMOS	
156-0575-01	X	NP		5625A	CMOS	
156-0575-02	N	DL	Fairchild	34025DC	CMOS	
156-0575-03	A	CR	Motorola RCA	MC14025BCLD CD4025BFX	CMOS	3-5
156-0575-04	N	CS	Fairchild	4025BDCQR	CMOS	
156-0575-05	N	CS	Motorola RCA	MC14025UBCL CD4025UBF	CMOS	
156-0576-00	N	NP	Fairchild Motorola RCA	SL110043 MC14021BCL CD4021BF	CMOS	

^a For ND Codes (New Design Recommendations) and Status Codes, see tab marked CODES in the back of this catalog.

^b Emergency Vendor only.

TEK PART NUMBER TO VENDOR NUMBER (cont)

Part Number	Codes ^a		Vendor	Vendor No.	Type	Page
	ND	ST				
156-0576-01	X	NP	Fairchild Motorola	14021A	CMOS	3-7
156-0576-02	N	CR		RCA	4021BDCQR MC14021BCLD CD4021BFX	
156-0577-00	N	OB	Harris National Semiconductor	HD1-74C08 MM74C08J	CMOS	3-5
156-0577-01	X		National Semiconductor	74C08	CMOS	3-5
156-0577-02	A	CR		DM74C08NA + /JA +	CMOS	
156-0578-00	N	NP		Fairchild	4528D	
156-0578-01	X	NP	Motorola	MC14528BCL 14528	CMOS	
156-0578-02	A	CR	Fairchild	4528DCQR	CMOS	3-6
156-0579-00	N	NP	Motorola	MC14520BCL	CMOS	
156-0579-01	X	NP	RCA	CD4520BR 14520	CMOS	
156-0579-02	A	CR	Motorola	MC14520BCLD	CMOS	3-3
156-0579-03		SC	RCA	CD4502BFX C4520BP	CMOS	
156-0580-00	N	NP	Fairchild	34035DC	CMOS	
			Motorola	MC14035BCL		
156-0580-01	X	NP	Fairchild	CD4035A	CMOS	3-7
156-0580-02	A	CS		Motorola	4035BDCQR MC14035BCLD CD4035BFX	
156-0581-00	A	DL	RCA	CD4040AE	CMOS	
156-0582-00	N	NP	Fairchild	4516BDC	CMOS	
			Motorola	MC14516BCL		
156-0582-01	X	NP	Motorola	MC14516CP	CMOS	
156-0582-02	U	DL		RCA	MC14516BCLD CD4516BFX	CMOS
156-0582-03	A	CR	Fairchild	4516BDCQR	CMOS	3-3
			Motorola	MC14516BCLD		
156-0583-00	N	NP	RCA	CD4516BFX		
			Hitachi	HD14559BP	CMOS	
			Motorola	MC14559BCL		
156-0583-01	X	DL	Motorola	14559	CMOS	3-8
156-0583-02	A	CR		MC14559BCPDS/BCLDS	CMOS	
156-0583-03	X	NP	Motorola	MC14559BCLD	CMOS	
156-0584-00	N	CS		7426J	TTL	6-16
156-0584-01	N	NP		7426J	TTL	6-16
156-0585-00	N	CS	Texas Instruments	SN7416J	TTL	6-3
156-0585-01	N	NP		7416J	TTL	6-3
156-0586-00	N	CS		7413J	TTL	6-15
156-0586-01	N	NP		7413J	TTL	6-15
156-0587-00	N	CS		7412J	TTL	6-15
156-0587-01	N	NP		7412J	TTL	6-15
156-0588-00	N	CS		7408J	TTL	6-15
156-0588-01	N	NP		7408J	TTL	6-15
156-0589-00	N	CS	Texas Instruments	SN7417J	TTL	6-3
156-0589-01	N	NP		7417J	TTL	6-3
156-0590-00	N	CS		7425J	TTL	6-16
156-0590-01	N	NP		7425J	TTL	6-16
156-0591-00	N	CS	Fairchild	9N37DC	TTL	6-3
			National Semiconductor	DM7437J		
			Signetics	N7437FH		
			Texas Instruments	SN7437J		

^a For ND Codes (New Design Recommendations) and Status Codes, see tab marked CODES in the back of this catalog.

TEK PART NUMBER TO VENDOR NUMBER (cont)

Part Number	Codes ^a		Vendor	Vendor No.	Type	Page
	ND	ST				
156-0591-01	N	NP		7437J	TTL	6-3
156-0592-00	N	CS		7438J	TTL	6-3
156-0592-01	N	NP		7438J	TTL	6-3
156-0593-00	N	CS		74111J	TTL	6-13
156-0593-01	N	NP		74111J	TTL	6-13
156-0594-00	N	CS		74122J	TTL	6-20
156-0594-01	N	NP		74122J	TTL	6-20
156-0595-00	N	CS	Advanced Micro Devices Fairchild Signetics Texas Instruments	SN74123J 74123DC N74123F SN74123J	TTL	6-20
156-0595-01	N	NP		74122J	TTL	6-20
156-0596-00	N	CS		74197J	TTL	6-6 & 18
156-0596-01	N	NP		74197J	TTL	6-6 & 18
156-0597-00	N	CS		74150J	TTL	6-7
156-0591-01	N	NP		7437J	TTL	6-3
156-0592-00	N	CS		7438J	TTL	6-3
156-0592-01	N	NP		7438J	TTL	6-3
156-0593-00	N	CS		74111J	TTL	6-13
156-0593-01	N	NP		74111J	TTL	6-13
156-0594-00	N	CS		74122J	TTL	6-20
156-0594-01	N	NP		74122J	TTL	6-20
156-0595-00	N	CS	Advanced Micro Devices Fairchild Signetics Texas Instruments	SN74123J 74123DC N74123F SN74123J	TTL	6-20
156-0595-01	N	NP		74122J	TTL	6-20
156-0596-00	N	CS		74197J	TTL	6-6 & 18
156-0596-01	N	NP		74197J	TTL	6-6 & 18
156-0597-00	N	CS		74150J	TTL	6-7
156-0597-01	N	NP		74150J	TTL	6-7
156-0598-00	N	CS		74145J	TTL	6-9 & 10
156-0598-01	N	NP		74145J	TTL	6-9 & 10
156-0599-00	N	CR	Advanced Micro Devices National Semiconductor	AM29703PC DM74LS189	Memory Selection Guide	2-8
156-0599-01	N	CR	Advanced Micro Devices National Semiconductor	AM27LS03DCB DM74LS189JA +	Memory Selection Guide	2-8
156-0600-00	A	CR	Motorola	MC3441P	Multifunction	1-11 & 6-10
156-0600-01	X	NP		3441P	Multifunction	1-11
156-0600-02	A	DL	Motorola	MC3441NDS/JDS	Multifunction	1-11
156-0600-03	X	DL	Comp Concepts Eaton-Pacific	156-0600-03 156-0600-03	Multifunction	1-11 & 6-10
156-0601-00	N	CS	Raytheon Signetics	RC8201R N8201F	TTL	
156-0601-01	N	NP		8201	TTL	
156-0602-00	N	CS		7495J	TTL	6-22
156-0602-01	N	NP		7495J	TTL	6-22
156-0603-00	X	CS	Fairchild	SN54123DM	TTL	
156-0603-01	X	NP		54123J	TTL	
156-0604-00	X	CS		74153J	TTL	
156-0604-01	X	NP		74153	TTL	
156-0605-00	X	CS		74161J	TTL	
156-0605-01	X	NP		74161J	TTL	
156-0606-00	X	CS		74177J	TTL	
156-0606-01	X	NP		74177J	TTL	
156-0607-00	X	CS		74180J	TTL	
156-0607-01	X	NP		74180J	TTL	

^a For ND Codes (New Design Recommendations) and Status Codes, see tab marked CODES in the back of this catalog.

TEK PART NUMBER TO VENDOR NUMBER (cont)

Part Number	Codes ^a		Vendor	Vendor No.	Type	Page
	ND	ST				
156-0608-00	X	DL		M112		
156-0609-00	X	DL		7427J	TTL	
156-0609-01	X	DL		7427J	TTL	
156-0610-00	X	CS		74164J	TTL	
156-0610-01	X	NP		74164J	TTL	
156-0611-00	X	NP	Texas Instruments	SN7406J	TTL	
156-0611-01	X	NP		7406J	TTL	
156-0611-02	N	CR	Texas Instruments	SN7406NP3	TTL	6-3
156-0612-00	X	CS	Fairchild	7411DC	TTL	
			Signetics	N7411F		
156-0612-01	X	NP		7411J	TTL	
156-0613-00	X	CS		74128J	TTL	
156-0613-01	X	NP		74128J	TTL	6-3
156-0614-00	N	CS		SN74H87J	TTL	
156-0614-01	N	NP		74H87J	TTL	
156-0615-00	X	CS		74175J	TTL	
156-0615-01	X	NP		MJUMKJ	TTL	
156-0616-00	X	CM	Texas Instruments	SN7440J	TTL	
156-0616-01	X	DL		7440J	TTL	
156-0617-00	N	NP	Texas Instruments	SN74393N/J	TTL	
156-0617-01	N	NP		74393	TTL	
156-0617-02	N	CR	Texas Instruments	SN74393N3/J4	TTL	6-6
156-0618-00	U	LS		MM5214	MOS	
156-0619-00	U	LS		MM5214	MOS	
156-0620-00	U	LS		MM5214	MOS	
156-0621-00	U	LS		MM5214	MOS	
156-0622-00	N	CS	National Semiconductor	DM8601J	TTL	6-20
156-0622-01	N	NP		9601DC	TTL	6-20
156-0623-00	N	CS	Fairchild	9602DC	TTL	6-20
			National Semiconductor	DM8602J		
			Signetics	N9602F		
156-0623-01	N	NP		9602DC	TTL	6-20
156-0624-00	A	CR	Motorola	MC12061P/L	ECL	4-9
156-0624-01	X	CR	Motorola	MC12061PD	ECL	4-9
156-0625-00	N	NP	Harris	HD1-74C165	CMOS	
			National Semiconductor	MM74C165J		
156-0625-01	A	CR	National Semiconductor	74C165N/JA +	CMOS	3-7
156-0626-00	N	NP	Texas Instruments	SN74390N/J	TTL	
156-0626-01	N	NP		74C165	TTL	
156-0626-02	U	CR	Texas Instruments	SN74390NP3/JP4	TTL	6-6
156-0627-00	N	OB	National Semiconductor	MM74C193J	CMOS	3-3
156-0627-01	X	NP		74C193	CMOS	
156-0627-02	N	CR	Fairchild	40193BDC	CMOS	3-3
			National Semiconductor	MM74C193JA +		
156-0628-00	N	DL		F34011	CMOS	
156-0629-00	N	NP		74LS197	TTL	
156-0629-01	A	CR	Fairchild	74LS197PCQR/DCQR	TTL	6-6
			Motorola	SN74LS197NDS/JDS		
			National Semiconductor	DM74LS197NA + /JA +		
			Signetics	N74LS197NB/FB		
			Texas Instruments	SN74LS197N3/J4		
156-0629-02	U	CS	Motorola	SN74LS197NDS/JDS	TTL	6-6
			Texas Instruments	SN74LS197NP3/JP4		
156-0630-00	A	CR	Motorola	MC10195L	ECL	4-2
156-0630-01	A	CR	Motorola	MC10195PD/LD	ECL	4-2
156-0631-00	A	CR	Motorola	MC10101L/P	ECL	4-6
156-0631-01	A	CS	Motorola	MC10101L	ECL	4-6
			Plessey	SP10101E		
156-0631-02	A	CR	Motorola	MC10101PD/LD	ECL	4-6
156-0631-03	A	CR	Motorola	MC10101LD	ECL	4-6
156-0632-00	A	CR	Motorola	MC10173	ECL	4-8

^a For ND Codes (New Design Recommendations) and Status Codes, see tab marked CODES in the back of this catalog.

TEK PART NUMBER TO VENDOR NUMBER (cont)

Part Number	Codes ^a		Vendor	Vendor No.	Type	Page
	ND	ST				
156-0632-01	A	DL		MC10173	ECL	4-8
156-0632-02	A	CR	Motorola	MC10173PD/LD	ECL	4-8
156-0632-03	U	SC	Motorola	MC10173L	ECL	
156-0633-00	A	CR	Motorola	MC10176L	ECL	4-5
156-0633-01	A	CR	Motorola	MC10176LD	ECL	4-5
156-0633-02	A	CR	Motorola	MC10176PD/LD	ECL	4-5
156-0634-00	A	CS	Motorola	MC3460	MOS	5-2
156-0634-01	X	DL		MC3460	MOS	
156-0635-00	U	NP	Intersil Motorola	IM7505A-2CJF MCM6605AL-2	MOS	
156-0635-01	U	LS		6605AL-2	MOS	
156-0635-02	U	DL		6605AL-2	MOS	
156-0636-00	A	CR	Fairchild Motorola Signetics	F10111PC/DC MC10111LP 10111F/B 10111	ECL	4-6
156-0636-01	X	DL		SL81661	ECL	
156-0636-02	X	DL	Fairchild Motorola	MC10111P1/L1	ECL	
156-0636-03	U	SC			ECL	
156-0637-00	A	CR	Motorola	MC10174P/L	ECL	4-3
156-0637-01	A	CR	Motorola	MC10174PD/LD	ECL	4-3
156-0638-00	X	CS	Motorola	MC10141L	ECL	4-9
156-0638-01	A	CR	Fairchild Motorola	10141PCQR/DCQR MC10141PD/LD	ECL	4-9
156-0638-02	A	DL	Fairchild Motorola	10141DCQR MC10141L1	ECL	
156-0639-00	X	CS	Motorola	MC10110P	ECL	4-6
156-0639-01	A	DL	Motorola	MC10110PD/LD	ECL	4-6
156-0640-00	A	CR	Motorola Nippon Electric	MC10164L MICROPB10164C	ECL	4-3
156-0640-01	A	DL		MC10164	ECL	4-3
156-0640-02	A	CC	Motorola	MC10164PD/LD	ECL	4-3
156-0641-00	A	CR	Motorola NEC America	MC10136L MICROPB10136D	ECL	4-3
156-0641-01	A	CR	Motorola	MC10136PD/LD	ECL	4-3
156-0642-00	A	CR	Motorola	MC10138L	ECL	4-3
156-0642-01	A	CR	Motorola	MC10138PD/LD	ECL	4-3
156-0643-00	N	CS	Intel	D8008-1	Multifunction	
156-0644-00	A	CR	Motorola	MC14066BCL	Special Function	7-7
156-0644-01	A	NP		CD4066AE	Special Function	7-7
156-0644-02	A	CR	RCA	CD4066BF	Special Function	7-7
156-0644-03	A	CR	Motorola RCA	MC14066BCLD CD4066BFX	Special Function	7-7
156-0644-04	U	SC		MC14066B	Special Function	
156-0645-00	N	NP	Fairchild Motorola National Semiconductor Signetics Texas Instruments	74LS14PC/DC SN74LS14N/J DM74LS14N/J N74LS14N/F SN74LS14N/J	TTL	
156-0645-01	N	NP		74LS14	TTL	
156-0645-02	A	CR	Fairchild Motorola National Semiconductor Signetics Texas Instruments	74LS14PCQR/DCQR SN74LS14NDS/JDS DM74LS14NA + /JA + N74LS14NB/FB SN74LS14NP3/JP4	TTL	6-3

^a For ND Codes (New Design Recommendations) and Status Codes, see tab marked CODES in the back of this catalog.

TEK PART NUMBER TO VENDOR NUMBER (cont)

Part Number	Codes ^a		Vendor	Vendor No.	Type	Page
	ND	ST				
156-0645-03		CR	Fairchild Texas Instruments	74LS14PCQR/DCQR SN74LS14NP3/JP4	TTL	6-3
156-0646-00	N	NP		74LS93	TTL	
156-0646-01	N	NP		74LS93	TTL	
156-0646-02	A	CR	Fairchild Motorola National Semiconductor Signetics Texas Instruments	74LS93PCQR/DCQR SN74LS93NDS/JDS DM74LS93NA + /JA + N74LS93NB/FB SN74LS93NP3/JP4	TTL	6-5
156-0647-00	U	CS	Harris	HD1-0165-5	MOS	
156-0648-00	A	DL		74C151	CMOS	
156-0649-00	N	CR	Harris National Semiconductor	HD1-80C97 MM80C97J	CMOS	3-2
156-0649-01	X	NP		80C97	CMOS	
156-0649-02	N	CR	Fairchild National Semiconductor	40097DCQR MM80C97NA +	CMOS	3-2
156-0650-00	A	DL	Harris National Semiconductor	HD1-74C154 MM74C154J	CMOS	
156-0651-00	N	NP	Fairchild National Semiconductor Signetics Texas Instruments	74LS164PC/DC DM74LS164N/J N74LS164AN/F SN74LS164N/J	TTL	
156-0651-01	N	NP		74LS164	TTL	
156-0651-02	A	CR	Fairchild Motorola Signetics Texas Instruments	74LS164PCQR/DCQR SN74LS164NDS/JDS N74LS164NB/FB SN74LS164N3/J4	TTL	6-22
156-0652-00	N	NP	Fairchild National Semiconductor Signetics Texas Instruments	74LS266PC DM74LS266N N74LS266N SN74LS266N	TTL	
156-0652-01	N	NP		74LS266	TTL	
156-0652-02	A	CR	Fairchild Motorola National Semiconductor Signetics Texas Instruments	74LS266PCQR/DCQR SN74LS266NDS/JDS DM74LS266NA + /JA + N74LS266NB/FB SN74LS266NP3/JP4	TTL	6-17
156-0652-03	N	CR	Motorola Signetics	SN74LS266N CC3449N	TTL	6-17
156-0653-00	N	NP	Advanced Micro Devices National Semiconductor	AM8838N/J DS8838N/J	TTL	
156-0653-01	N	NP		DS8838N	TTL	
156-0653-02	N	CR	Advanced Micro Devices National Semiconductor	AM8838NB/JB DS8838NA + /JA +	TTL	6-12
156-0654-00	X	DL		9324		
156-0654-01	X	DL		9324		
156-0655-00	A	CR	Motorola Silicon General Texas Instruments	MC7905.2CT SG7905.2CP UA7952CKC	Linear	8-5
156-0655-01	A	CR	Motorola Texas Instruments	MC7905.2CTD UA7952CKC3	Linear	8-5
156-0655-02	A	DL		7905.2C	Linear	
156-0656-00	N	NP	Fairchild National Semiconductor Texas Instruments	74LS90PC/DC DM74LS90N/J SN74LS90N/J	TTL	

^a For ND Codes (New Design Recommendations) and Status Codes, see tab marked CODES in the back of this catalog.

TEK PART NUMBER TO VENDOR NUMBER (cont)

Part Number	Codes ^a		Vendor	Vendor No.	Type	Page
	ND	ST				
156-0656-01	N	NP		74LS90	TTL	
156-0656-02	A	CR	Fairchild Motorola Texas Instruments	74LS90PCQR/DCQR SN74LS90NDS/JDS SN74LS90NP3/JP4	TTL	6-5
156-0657-00	N	CR	Fairchild Motorola National Semiconductor ^b NEC Electric	F10410DC MCM10144L/SCM62462L DM10144C-J MICROPD10144D	Memory Selection Guide	2-7
156-0657-01	N	OB		MCM10144	Memory Selection Guide	2-7
156-0657-02	N	CR	Motorola	MCM10144L/ SCM30111LK	Memory Selection Guide	2-7
156-0658-00	A	CS	National Semiconductor ^b Advanced Micro Devices Fairchild Gould Hitachi Motorola	DM10414C-J S6850P/C F6850PC/DC S6850P/C HD46850P/C MC6850P/L	Multifunction	1-9
156-0658-01	A	CR	American Micro Systems Fairchild Motorola	S6850C/D 6850DCQR MC6850S/P	Multifunction	1-9
156-0679-00	N	NP		74LS283	TTL	
156-0679-01	A	CR	Fairchild Motorola National Semiconductor Signetics Texas Instruments	74LS283PCQR/DCQR SN74LS283NDS/JDS DM74LS283NA + /JA + N74LS283NB/FB SN74LS283NP3/JP3	TTL	6-2
156-0680-00	N	DL	National Semiconductor	MM74C107J	CMOS	
156-0680-01	X	NP		74C107	CMOS	
156-0680-02	A	CR	National Semiconductor	MM74C107JA +	CMOS	3-4
156-0681-00	N	NP	Fairchild Motorola	4006DC MC14006BCL	CMOS	
156-0681-01	X	NP		CD4006	CMOS	
156-0681-02	A	CS	Fairchild Motorola	4006BDCQR MC14006BCLDS	CMOS	3-7
156-0682-00	N	CS	National Semiconductor	MM74C174J	CMOS	3-4
156-0682-01	X	NP		74C174	CMOS	
156-0682-02	N	CR	National Semiconductor	MM74C147NA + /JA +	CMOS	3-4
156-0683-00	N	CR	Signetics	N8T37N/F	TTL	6-12
156-0683-01	N	NP		8T37B	TTL	
156-0684-00	A	CR	National Semiconductor	LM323K	Linear	8-4
156-0685-00	N	CS	National Semiconductor	LM725CN	Operational Amp	8-10
156-0685-01	U	DL		LM725C	Operational Amp	
156-0685-02	U	DL		LM725C	Operational Amp	
156-0685-03	N	CR	National Semiconductor	LM725CN/A +	Operational Amp	8-10
156-0686-00	A	CR	RCA	CA3130S	Operational Amp	8-11
156-0686-01	N	PP		CA3130	Operational Amp	8-11
156-0686-02	A	CR	RCA	CA3130SX	Operational Amp	8-11
156-0686-03	A	SC	RCA	CA3130E	Operational Amp	
156-0687-00	A	CR	Motorola	MC10113	ECL	4-6
156-0687-01	A	CR	Motorola	MC10113PD/LD	ECL	4-6
156-0688-00	A	CR	Motorola	MC10135L	ECL	4-5
156-0688-01	A	CR	Fairchild Motorola Signetics	10135DCQR MC10135PD/LD 10135FB	ECL	4-5
156-0689-00	X	NP		2704	Memory Selection Guide	
156-0690-00	N	NP		74S02	TTL	
156-0690-01	N	NP		74S02	TTL	
156-0690-02	X	CS	Texas Instruments	SN74S02J/N	TTL	
156-0690-03	A	CR	Fairchild National Semiconductor Signetics Texas Instruments	74S02PCQR/DCQR DM74S02NA + /JA + N74S02NB/FB SN74S02NP3/JP4	TTL	6-15

^a For ND Codes (New Design Recommendations) and Status Codes, see tab marked CODES in the back of this catalog.

^b Emergency vendor only.

TEK PART NUMBER TO VENDOR NUMBER (cont)

Part Number	Codes ^a		Vendor	Vendor No.	Type	Page
	ND	ST				
156-0691-00	N	CS	Monolithic Memories Texas Instruments	SN74S381N/J SN74S381N/J	TTL	6-2
156-0691-01	N	NP	Monolithic Memories Texas Instruments	74S381	TTL	6-2 & 17
156-0691-02	A	CR		SN74S381J SN74S381J	TTL	
156-0691-03	X	DL	Fairchild ^b Monolithic Memories Signetics Texas Instruments	74S381J	TTL	
156-0692-00	N	NP		74S182PC/DC 74S182N/D N74S182N/F SN74S182N/J	TTL	
156-0692-01	N	NP	Monolithic Signetics Texas Instruments	74S182	TTL	6-17
156-0692-02	A	CR		74S182NSHRP/DSHRP N74S182NB/FB SN74S182NP3/JP4 N74S139	TTL	
156-0693-00	N	NP	Advanced Micro Devices Fairchild National Semiconductor Signetics Texas Instruments	74S139	TTL	6-9
156-0693-01	N	NP		SN74S139NB/JB 74S139PCQR/DCQR DM74S139NA + /JA + N74S139NB/FB SN74S139NP3/JP4	TTL	
156-0693-02	A	CR				
156-0694-00	N	NP	Advanced Micro Devices Fairchild National Semiconductor Signetics Texas Instruments	74S138	TTL	6-9
156-0694-01	N	NP		74S138	TTL	
156-0694-02	A	CR		SN74S138JB 74S138DCQR/PCQR DM74S138JA + /NA + N74S138FB/NB SN74S138N3/J4	TTL	
156-0695-00	X	LS	Texas Instruments	2606-B1	Memory Selection Guide	6-17
156-0695-01	N	NP		2606B-1	Memory Selection Guide	
156-0696-00	N	NP		SN74265N/J	TTL	
156-0696-01	N	NP		74265	TTL	
156-0696-02	N	CR		SN74265JP4	TTL	
156-0697-00	N	CS	Advanced Micro Devices	74194	TTL	6-22
156-0697-01	X	DL		74194	TTL	
156-0698-00	N	CS		AM9101BPC	Memory Selection Guide	2-10
156-0698-01	X	LS		AM9101	Memory Selection Guide	2-10
156-0699-00	N	CS	Fairchild Fairchild National Semiconductor Silicon General National Semiconductor	723HM	Linear	8-6
156-0699-01	N	CR		UA723HMQB LM723CHA + SG723T/883B LM741H	Linear	8-6
156-0700-00	N	CS	National Semiconductor		Operational Amp	
156-0700-01	A	CR	RCA	CA741S	Operational Amp	8-8
156-0701-00	A	OT	Advanced Micro Devices National Semiconductor Signetics Texas Instruments	AM74S251N DM74S251N N74S251B SN74S251N	TTL	
156-0702-00	N	NP	National Semiconductor Texas Instruments	DM74LS366N/J SN74LS366N/J	TTL	
156-0702-01	A	CR	Motorola National Semiconductor Texas Instruments	SN74LS366ND/JD DM74LS366NA + /JA + SN74LS366NP3/JP4 74S64	TTL	6-4
156-0703-00	N	NP			TTL	
156-0703-01	N	NP	Fairchild Signetics Texas Instruments	74S64	TTL	6-16
156-0703-02	A	CR		74S64PCQR/DCQR N74S64NB/FB SN74S64N3/J4	TTL	
156-0704-00	A	CR	Motorola	MC14046CP	Special Function	7-9

^a For ND Codes (New Design Recommendations) and Status Codes, see tab marked CODES in the back of this catalog.

^b Emergency Vendor only.

TEK PART NUMBER TO VENDOR NUMBER (cont)

Part Number	Codes ^a		Vendor	Vendor No.	Type	Page
	ND	ST				
156-0704-01	N	CR	Motorola	MC14046CP	Special Function	7-9
156-0705-00	A	CR	Motorola Plessey	SC62438L SP1651B	ECL	4-2
156-0706-00	N	NP	Texas Instruments	SN74221N/J	TTL	
156-0706-01	N	NP		74221	TTL	
156-0706-02	N	CR	Texas Instruments	SN74221NP3/JP4	TTL	6-20
156-0707-00	N	NP	Fairchild National Semiconductor Signetics Texas Instruments	74S86PC/DC DM74S86N/J N74S86N/F SN74S86N/J	TTL	
156-0707-01	N	NP		74S86	TTL	
156-0707-02	X	DL		74S86	TTL	
156-0707-03	A	CR	Fairchild National Semiconductor Signetics Texas Instruments	74S86DCQR/PCQR DM74S86NA + /JA + N74S86NB/FB SN74S86NP3/JP4	TTL	6-17
156-0708-00	N	LR	Advanced Micro Devices	AM2708DC	Memory Selection Guide	
156-0711-00	X	CM		EA4001	MOS	
156-0716-00	A	CR	American Micro Systems Motorola	S6810-A MCM6810S	Memory Selection Guide	2-10
156-0716-01	A	CR	Motorola	MCM6810LDS	Memory Selection Guide	2-10
156-0717-00	N	DL		MP2321-01	Linear	
156-0718-00	N	NP		74LS27	TTL	
156-0718-01	N	NP		74LS27	TTL	
156-0718-02	X	DL		74LS27	TTL	
156-0718-03	A	CR	Fairchild Motorola Signetics Texas Instruments	74LS27PCQR/DCQR SN74LS27NDS/JDS N74LS27NB/FB SN74LS27NP3/JP4	TTL	6-16
156-0719-00	A	CR	Analog Devices Micro Power Systems	AD7533LN MP7520LN	Special Function	7-4
156-0719-01	A	CR	Analog Devices	AD11/386	Special Function	7-4
156-0720-00	N	NP	National Semiconductor Fairchild National Semiconductor Texas Instruments	DAC1020LCD/A + 74LS368PC DM74LS368N SN74LS368N	TTL	
156-0720-01	N	NP		74LS368	TTL	
156-0720-02	A	CR	Fairchild Motorola Texas Instruments	74LS368PCQR/DCQR SN74LS368NDS/JDS SN74LS368NP3/JP4	TTL	6-11
156-0721-00	N	NP		74LS132	TTL	
156-0721-01	N	NP		74LS132	TTL	
156-0721-02	A	CR	Fairchild Motorola National Semiconductor Signetics Texas Instruments	74LS132PCQR/DCQR SN74LS132NDS/JDS DM74LS132NA + /JA + N74LS132NB/FB SN74LS132NP3/JP4	TTL	6-17
156-0721-03	X	DL		74LS132	TTL	
156-0721-04	X	DL		74LS132	TTL	
156-0721-05		CR	Fairchild Texas Instruments	74LS132PCQR/DCQR SN74LS132NP3/TP4	TTL	6-17
156-0722-00	N	NP	Fairchild National Semiconductor Signetics Texas Instruments	74LS12PC DM74LS12N N74LS12A SN74LS12N	TTL	
156-0722-01	N	NP		74LS12	TTL	
156-0722-02	A	CR	Motorola National Semiconductor Texas Instruments	SN74LS12NDS/JDS DM74LS12NA + /JA + SN74LS12NP3/JP4	TTL	6-15
156-0723-00	A	CR	Analog Devices	AD7511DIKN/KD	Special Function	7-7

^a For ND Codes (New Design Recommendations) and Status Codes, see tab marked CODES in the back of this catalog.

TEK PART NUMBER TO VENDOR NUMBER (cont)

Part Number	Codes ^a		Vendor	Vendor No.	Type	Page
	ND	ST				
156-0723-01 156-0724-00	A N	NP NP	Fairchild Motorola National Semiconductor Signetics Texas Instruments	AD7511 74LS05PC/DC 74LS05N/J DM74LS05N/J N74LS05N/F SN74LS05N/J	Special Function TTL	7-7
156-0724-01 156-0724-02	N A	NP CR	Fairchild Motorola National Semiconductor Signetics Texas Instruments	74LS05 74LS05PCQR/DCQR SN74LS05NDS/JDS DM74LS05NA + /JA + N74LS05NB/FB SN74LS05NP3/JP4	TTL TTL	6-3
156-0727-00 156-0727-01	A	NP CR	Advanced Micro Devices Fairchild Motorola Texas Instruments	74LS196 SN74LS196NB2/JB2 74LS196PCQR/DCQR SN74LS196NDS/JDS SN74LS196N3/J4	TTL TTL	6-6
156-0728-00	N	NP	Fairchild National Semiconductor Texas Instruments	SL82296 DM74LS09N/J SN74LS09N/J	TTL	
156-0728-01 156-0728-02	N A	NP CR	Fairchild Motorola Texas Instruments	74LS09 74LS09PCQR/DCQR SN74LS09NDS/JDS SN74LS09NP3/JP4	TTL TTL	6-15
156-0729-00 156-0729-01 156-0730-00	N N N	LS CR NP	National Semiconductor National Semiconductor Fairchild Motorola Signetics Texas Instruments	DM80L98N/J DM80L98NA + /JA + 74LS33PC/DC SN74LS33N/J N74LS33N/F SN74LS33N/J	TTL TTL TTL	6-4
156-0730-01 156-0730-02	N A	NP CR	Fairchild Motorola Signetics Texas Instruments	74LS33 74LS33PCQR/DCQR SN74LS33NDS/JDS N74LS33NB/FB SN74LS33NP3/JP4	TTL TTL	6-3
156-0731-00	N	NP	Motorola National Semiconductor Signetics Texas Instruments	SN74LS76AN/J DM74LS76N/J N74LS76N/F SN74LS76AN/J 74LS76	TTL	
156-0731-01 156-0731-02	X A	NP CR	Motorola National Semiconductor Signetics Texas Instruments	SN74LS76NP3/JP4 DM74LS76NA + /JA + N74LS76NB/FB SN74LS76NP3/JP4	TTL TTL	6-13
156-0732-00	N	CS	Fairchild National Semiconductor Signetics Texas Instruments	74LS170PC DM74LS170N N74LS170B SN74LS170N	TTL	6-21
156-0732-01 156-0733-00	N N	DL NP	Motorola National Semiconductor Texas Instruments	74LS170 SN74LS221N/J DM74LS221N/J SN74LS221N/J 74LS221	TTL TTL	
156-0733-01 156-0733-02	N A	NP CR	Motorola Texas Instruments	SN74LS221NDS/JDS SN74LS221N3/J4	TTL TTL	6-20
156-0733-03 156-0733-04 156-0734-00	N N N	CR CR NP	Texas Instruments Motorola Fairchild National Semiconductor Signetics Texas Instruments	SN74LS221N/J SN74LS221NDS 74LS295PC/DC DM74LS295N/J N74LS295N/F SN74LS295N/J	TTL TTL TTL	6-20 6-20

^a For ND Codes (New Design Recommendations) and Status Codes, see tab marked CODES in the back of this catalog.

TEK PART NUMBER TO VENDOR NUMBER (cont)

Part Number	Codes ^a		Vendor	Vendor No.	Type	Page
	ND	ST				
156-0734-01 156-0734-02	N A	NP CR	Fairchild Signetics Texas Instruments	74LS295A 74LS295PCQR/DCQR N74LS295BNB/FB SN74LS295BNP3/JP4 74LS75	TTL TTL	6-22
156-0735-00	N	NP		74LS75	TTL	
156-0735-01 156-0735-02	N A	NP CR	Motorola National Semiconductor Signetics Texas Instruments	SN74LS75NDS/JDS DM74LS75NA + /JA + N74LS75NB/FB SN74LS75NP3/JP4	TTL TTL	6-18
156-0736-00	N	NP	Fairchild National Semiconductor Signetics Texas Instruments	74LS42PC DM74LS42N N74LS42N SN74LS42N 74LS42	TTL	
156-0736-01	N	NP		74LS42	TTL	
156-0736-02	A	CR	Fairchild Motorola National Semiconductor Signetics Texas Instruments	74LS42PCQR/DCQR SN74LS42NDS/JDS DM74LS42NA + /JA + N74LS42NB/FB SN74LS42NP3/JP4	TTL	6-9
156-0737-00 156-0738-00	X A	DL NP	Advanced Micro Devices Fairchild Texas Instruments	DM8574 SN74S174N 9S174/74S174PC SN74S174N 74S174	Memory Selection Guide TTL	
156-0738-01	N	NP		74S174	TTL	
156-0738-02 156-0738-03	N N	DL CR	Advanced Micro Devices Signetics Texas Instruments Texas Instruments	SN74S174J N74S174F SN83202J SN74S174JP4	TTL TTL	6-13
156-0738-04	A	CR	Texas Instruments	SN74S174JP4	TTL	6-13
156-0739-00 156-0739-01 156-0739-02	N A	NP NP CR	Fairchild Signetics Texas Instruments	74S32 74S32 74S32DCQR/PCQR N74S32NB/FB SN74S32NP3/JP4	TTL TTL TTL	6-16
156-0740-00 156-0740-01 156-0740-02 156-0741-00 156-0741-01	X N N N N	NP NP CS LR LS	Motorola Fairchild Fairchild	MC3459CL/CP MC3459 MC3459 93L16PC/DC 93L16	TTL TTL TTL TTL TTL	6-10
156-0742-00	A	CR	National Semiconductor Texas Instruments	LM318N LM318P LM318	Operational Amp Operational Amp Operational Amp	8-9
156-0742-01 156-0742-02	A A	NP CR	National Semiconductor Texas Instruments	LM318N/A + LM318JG	Operational Amp Operational Amp	8-9
156-0742-03 156-0743-00 156-0743-01 156-0744-00	U A A N	CR CR CR NP	Texas Instruments Motorola Motorola Fairchild Texas Instruments	LM318P3/JG4 MC10186L MC10186PD/LD 74S194PC/DC SN74S194N/J	Operational Amp ECL ECL TTL	8-9 4-5 4-5
156-0744-01 156-0744-02 156-0744-03	N X N	DL DL CR	Advanced Micro Devices Fairchild Texas Instruments Texas Instruments	74S194 74S194 AM74S194J 74S194DC SN74S194J SN74S194NP3/JP4	TTL TTL TTL	6-22
156-0744-04 156-0745-00	A N	CR NP	Texas Instruments Motorola RCA	SN74S194NP3/JP4 MC14069UBCL CD4069UBF	TTL CMOS	6-22

^a For ND Codes (New Design Recommendations) and Status Codes, see tab marked CODES in the back of this catalog.

TEK PART NUMBER TO VENDOR NUMBER (cont)

Part Number	Codes ^a		Vendor	Vendor No.	Type	Page
	ND	ST				
156-0745-01	A	CR	Motorola RCA	MC14069UBCLD CD4069UBFX TC4069BP	CMOS	3-2
156-0745-02	U	SC				
156-0746-00	A	CR	Motorola	MC10158P/L	ECL	4-3
156-0746-01	A	CR	Motorola	MC10158PD/LD	ECL	4-3
156-0746-02	U	SC				
156-0749-00	N	OB	Motorola	MC10158L MC14435FL	Linear	
156-0750-00	N	OB	Harris	HD1-74C221	CMOS	
156-0750-01	X	OB		74C221	CMOS	
156-0750-02	A	CR	National Semiconductor	MM74C221JA +	CMOS	3-6
156-0750-03		CR	National Semiconductor	74C221N	CMOS	3-6
156-0751-00	N	OB		MC1405L	Linear	
156-0752-00	N	NP	Motorola	MC14518BCL	CMOS	
			National Semiconductor	CD14518BCJ		
156-0752-01	A	CR	Motorola National Semiconductor	MC14518BCLD MM14518BCJA +	CMOS	3-3
156-0753-00	N	CS	RCA	CD4086BF	CMOS	3-5
156-0753-01	A	OB	Fairchild RCA	4086BDCQR CD4086BFX	CMOS	
156-0754-00	N	NP	Motorola RCA	MC14002BCL CD4002BF	CMOS	
156-0754-01	N	DL		4002	CMOS	
156-0754-02	A	CR	Motorola RCA	MC14002BCLD CD4002BFX	CMOS	3-5
156-0755-00	A	CR	Motorola Signetics	SCC62473 10216 Chip	ECL	4-8
156-0755-01	A	DL		10216	ECL	
156-0756-00	N	NP	Motorola RCA	MC14028BCL CD4028BF	CMOS	
156-0756-01	A	CR	Motorola RCA	MC14028BCLD CD4028BFX	CMOS	3-4
156-0757-00	A	CR	Fairchild Motorola	F10211DC MC10211P/L	ECL	4-7
156-0757-01	A	CS	Fairchild Motorola	10211PCQR/DCQR MC10211PD/LD	ECL	4-7
156-0758-00	A	CS	Fairchild Motorola Signetics Texas Instruments	F10172DC MC10172L 10172F SN10172J	ECL	4-3
156-0758-01	A	CR	Fairchild Motorola	10172PCQR/DCQR MC10172PD/LD	ECL	4-3
156-0759-00	A	CR	Fairchild Motorola Signetics Texas Instruments	F10103PC/DC MC10103L/P 10103N SN10103N/J	ECL	4-6
156-0759-01	X	NP		10103	ECL	
156-0759-02	A	CR	Fairchild Motorola	10103PCQR/DCQR MC10103PD/LD	ECL	4-6
156-0760-00	X	NP	Fairchild Motorola Signetics	F10175DC MC10175L 10175F	ECL	
156-0760-01	A	CR	Fairchild Motorola	10175PCQR/DCQR MC10175PD/LD	ECL	4-8
156-0761-00	A	CR	Advanced Micro Devices Fairchild Fujitsu Motorola	AM10415ADC 10415A MBM10415AHC MCM10415/ SCM30121L	Memory Selection Guide	2-7

^a For ND Codes (New Design Recommendations) and Status Codes, see tab marked CODES in the back of this catalog.

TEK PART NUMBER TO VENDOR NUMBER (cont)

Part Number	Codes ^a		Vendor	Vendor No.	Type	Page
	ND	ST				
156-0761-01	A	CR		10415A	Memory Selection Guide	2-7
156-0762-00	X	CR	Motorola	MC10153P/L	ECL	4-8
156-0763-00	A	NP	Motorola	MC14490VL	CMOS	
156-0763-01	N	NP		14490	CMOS	
156-0763-02	A	CR	Motorola	MC14490BCLD/VLD	CMOS	3-8
156-0764-00	U	LS	Motorola	MCM68308	MOS	
156-0765-00	N	NP	Texas Instruments	SN74S169J/N	TTL	
156-0765-01	N	NP		74S169	TTL	
156-0765-02	N	CS	Texas Instruments	SN92570J	TTL	6-5
156-0765-03	N	NP		74S169	TTL	6-5
156-0765-04	A	CR	Texas Instruments	SN74S169N3	TTL	6-5
156-0765-05	X	DL	Texas Instruments	SN74169JP4	TTL	
156-0765-06	U	CR	Signetics	74S169ANB	TTL	6-5
			Texas Instruments	74S169J4		
156-0766-00	A	OB	Harris National Semiconductor	HD1-74C32 MM74C32J/N	CMOS	3-5
156-0766-01	N	OB		74C32	CMOS	
156-0766-02	N	CR	National Semiconductor	MM54C32J	CMOS	3-5
156-0767-00	N	CR	Hitachi Motorola	HD14572UBC MC14572UBCP/L	CMOS	3-5
156-0767-01	X	DL		14572	CMOS	
156-0767-02	A	CR	Motorola	MC14572UBCLD	CMOS	3-5
156-0768-00	N	NP		74LS194A	TTL	
156-0768-01	A	CR	Advanced Micro Devices Fairchild Texas Instruments	SN74LS194APCB/DCB 74LS194APCQR/DCQR SN74LS194ANP3/JP4	TTL	6-22
156-0769-00	X	CR	Signetics	N82S115N	Memory Selection Guide	
156-0769-01	U	NP		82S115	Memory Selection Guide	
156-0769-04		CR		82S115	Memory Selection Guide	
156-0770-00	N	CR	Motorola National Semiconductor Precision Texas Instruments	LF356H SL160842 LF356H LF356L	Operational Amp	8-11
156-0770-01	U	NP		LF356	Operational Amp	
156-0770-02	N	CR	National Semiconductor	LF356H/A+	Operational Amp	8-11
156-0771-00	A	OB	Fairchild Motorola Signetics Texas Instruments	F10160DC MC10160L 10160F SN10160J	ECL	4-7
156-0771-01	A	DL	Fairchild	10160DCQR/PCQR	ECL	4-7
156-0772-00	U	NP	Motorola	MC10160P1/L1		
156-0773-00	U	NP	Motorola	SCM3865P/L	MOS	
156-0774-00	U	NP	Motorola	SCM3866P/L SCM3867P/L	MOS MOS	
156-0775-00	U	NP	Motorola	SCM3868P/L	MOS	
156-0776-00	N	LS	Motorola	SCM3869P/L	MOS	
156-0779-00	U	DL	NEC America	P8308A-730	MOS	
156-0783-00	N	CR	Linear Technology National Semiconductor	LM399H LM399	Linear	8-7
156-0783-01	N	CR	Comp Concepts Linear Technology National Semiconductor	156-0783-01 LM399H-R LM399H/A+	Linear	8-7
156-0784-00	N	NP	Signetics ^b Texas Instruments	N74LS163N/F SN74LS163AN/J	TTL	
156-0784-01	N	NP		74LS163	TTL	
156-0784-02	A	CR	National Semiconductor Texas Instruments	DM74LS163ANA + SN74LS163ANP3	TTL	6-5
156-0785-00	A	LR	Intersil ^b National Semiconductor Texas Instruments	IM5610CJE/CPE DM85783 SN74S288J	Memory Selection Guide	2-12

^a For ND Codes (New Design Recommendations) and Status Codes, see tab marked CODES in the back of this catalog.

^b Emergency Vendor only.

TEK PART NUMBER TO VENDOR NUMBER (cont)

Part Number	Codes ^a		Vendor	Vendor No.	Type	Page
	ND	ST				
156-0786-00	N	NP	Motorola National Semiconductor RCA	MC14070BCL MM4070BCJ CD4070BY	CMOS	
156-0786-01	X	NP		4070	CMOS	
156-0786-02	A	CR	Motorola National Semiconductor RCA	MC14070BCLD MM74C86J/A + CD4070BFX	CMOS	3-5
156-0787-00	X	DL		80L97	TTL	
156-0787-01	X	DL		80L97	TTL	
156-0788-00	N	NP	Advanced Micro Devices Motorola Signetics Texas Instruments	SN74LS162AN/J SN74LS162AN/J N74LS162AN/F SN74S162N/J		
156-0788-01	A	CR	Advanced Micro Devices Motorola National Semiconductor Signetics Texas Instruments	SN74LS162NB2/JB2 SN74LS162NDS/JDS DM74LS162NA + /JA + N74LS162NB/FB SN74LS162NP3/JP4	TTL	6-5
156-0789-00	N	NP	Motorola Texas Instruments	SN74LS165N SN74LS165N	TTL	
156-0789-01	N	NP		74LS165	TTL	
156-0789-02	A	CR	Motorola Texas Instruments	SN74LS165NDS/JDS SN74LS165NP3	TTL	6-22
156-0790-00	N	CR	Motorola	MC689P	MOS	5-2
156-0793-00	N	NP	Motorola RCA	MC14012BCL CD4012BF	CMOS	
156-0793-01	X	NP		4012	CMOS	
156-0793-02	A	CR	Motorola RCA	MC14012BCLD CD4012BFX	CMOS	3-5
156-0795-00	N	NP	Fairchild Motorola	4511BDC MC14511BCL	CMOS	
156-0795-01	A	CR	Fairchild Motorola RCA	4511BDCQR MC14511BCLD CD4511BFX	CMOS	3-3, 4, 6
156-0795-02	U	SC		MC14511P		
156-0796-00	N	CR	Intel RCA	P4289 CD4094BF	CMOS	3-7
156-0796-01	A	CR	Motorola RCA	MC14094BCLD CD4094BFX	CMOS	3-7
156-0796-02	U	CR	Motorola RCA	MC14094BP CD4094BH	CMOS	3-7
156-0797-00	X	LS	Intel	P4002-2	Memory Selection Guide	
156-0798-00	N	NP	Fairchild Signetics Texas Instruments	74LS153PC/DC N74LS153N/F SN74LS153N/J	TTL	
156-0798-01	N	NP		74LS153	TTL	
156-0798-02	A	CR	Advanced Micro Devices Fairchild Motorola Signetics Texas Instruments	SN74LS153NB/JB 74LS153PC/DCQR SN74LS153NDS/JDS N74LS153NB/FB SN74LS153NP3/JP4	TTL	6-7
156-0799-00	N	NP	Motorola National Semiconductor	MC14017BCL MM4017BCJ	CMOS	
156-0799-01	N	CR	Motorola National Semiconductor	MC14017BCLD MM5617BJ/A +	CMOS	3-3
156-0800-00	N	NP	Motorola RCA	MC14042BCL CD4042BF	CMOS	

^a For ND Codes (New Design Recommendations) and Status Codes, see tab marked CODES in the back of this catalog.

^b Emergency Vendor only.

TEK PART NUMBER TO VENDOR NUMBER (cont)

Part Number	Codes ^a		Vendor	Vendor No.	Type	Page
	ND	ST				
156-0800-01	A	CR	Motorola RCA	MC14042BCLDOS CD4042BFX	CMOS	3-6
156-0801-00	N	NP	Motorola RCA	MC14015BCLOS CD4015BF		
156-0801-01	A	CS	Motorola RCA	MC14015BCLDOS CD4015BFX	CMOS	3-7
156-0802-00	A	OB	National Semiconductor RCA	CD4016CJOS CD4016A		
156-0803-00	N	LS	Intel National Semiconductor	D4004 INS4004	Multifunction	
156-0804-00	U	NP	Fairchild Motorola Texas Instruments	74LS279PC/DC 74LS279N/J SN74LS279N/J	TTL	
156-0804-01	N	NP		74LS279	TTL	
156-0804-02	A	CR	Fairchild Motorola National Semiconductor Texas Instruments	74LS279PCQR/DCQR SN74LS279NDS/JDS DM74LS279NA + /JA + SN74LS279NP3/JP4	TTL	6-18
156-0804-03	X	DL		74LS279	TTL	
156-0805-00	X	DL	Texas Instruments	SNC5401J	TTL	
156-0806-00	X	DL	Texas Instruments	SNC5402J	TTL	
156-0807-00	X	DL	Texas Instruments	SNC5404J	TTL	
156-0808-00	X	DL	Texas Instruments	SNC5406J	TTL	
156-0808-01	X	DL		5406	TTL	
156-0809-00	X	DL	Texas Instruments	SNC5408J	TTL	
156-0810-00	X	DL	Texas Instruments	SNC5410J	TTL	
156-0811-00	X	DL	Signetics	DM5411J/883B	TTL	
156-0812-00	X	DL	Texas Instruments	SNC5412J	TTL	
156-0813-00	X	DL	Texas Instruments	SNC5413J	TTL	
156-0814-00	X	DL	Texas Instruments	SNC5416J	TTL	
156-0815-00	X	DL	Texas Instruments	SNC5417J	TTL	
156-0816-00	X	DL	Texas Instruments	SNC5420J	TTL	
156-0817-00	X	DL	Texas Instruments	SNC5425J	TTL	
156-0818-00	X	DL	Texas Instruments	SNC5426J	TTL	
156-0819-00	X	DL	Texas Instruments	SNC5430J	TTL	
156-0820-00	X	DL	Texas Instruments	SNC5437J	TTL	
156-0821-00	X	DL	Texas Instruments	SNC5438J	TTL	
156-0822-00	X	DL	Texas Instruments	SNC5442AJ	TTL	
156-0823-00	X	DL	Texas Instruments	SNC5473J	TTL	
156-0824-00	X	DL	Texas Instruments	SNC5474J	TTL	
156-0825-00	X	DL	Texas Instruments	SNC5475J	TTL	
156-0826-00	X	DL	Texas Instruments	SNC5476J	TTL	
156-0827-00	X	DL	Texas Instruments	SNC5493J	TTL	
156-0828-00	X	DL	Texas Instruments	SNC54111J	TTL	
156-0829-00	X	DL	Texas Instruments	SNC54121J	TTL	
156-0830-00	X	DL	Texas Instruments	SNC54122J	TTL	
156-0831-00	X	DL	Texas Instruments	SNC54132J	TTL	
156-0832-00	X	DL	Texas Instruments	SNC54145J	TTL	
156-0833-00	X	DL	Texas Instruments	SNC54150J	TTL	
156-0834-00	X	DL	Texas Instruments	SNC54151J	TTL	
156-0835-00	X	DL	Texas Instruments	SNC54154J	TTL	
156-0836-00	X	DL	Texas Instruments	SNC54164	TTL	
156-0837-00	X	DL	Texas Instruments	SNC54175J	TTL	
156-0838-00	X	DL	Texas Instruments	SNC54177J	TTL	
156-0839-00	X	DL	Texas Instruments	SNC54180J	TTL	
156-0840-00	X	DL	Texas Instruments	SNC54193J	TTL	
156-0841-00	X	DL	Texas Instruments	SNC54197J	TTL	
156-0842-00	X	DL	Texas Instruments	SNC54H87J	TTL	

^a For ND Codes (New Design Recommendations) and Status Codes, see tab marked CODES in the back of this catalog.

TEK PART NUMBER TO VENDOR NUMBER (cont)

Part Number	Codes ^a		Vendor	Vendor No.	Type	Page
	ND	ST				
156-0843-00	X	DL	Texas Instruments	SNC5400J	TTL	
156-0844-00	N	NP	Advanced Micro Devices	SN74LS161N	TTL	
			Texas Instruments	SN74LS161AN		
156-0844-01	N	NP		74LS161	TTL	
156-0844-02	A	CR	Advanced Micro Devices	SN74LS161AND/JD	TTL	6-5
			Hitachi	HD74LS161P/C		
			Motorola	SN74LS161AND/JD		
			Texas Instruments	SN74LS161ANP3/JP4		
156-0845-00	X	CR	National Semiconductor	DM8160N	TTL	6-2
156-0845-01	X	NP		DM8160	TTL	
156-0845-02	N	CR	National Semiconductor	DM8160N/A +		6-2
156-0846-00	A	CR	Motorola	MC7905CT	Linear	8-5
			National Semiconductor	LM7905CT		
			Silicon General	SG7905CP		
			Texas Instruments	UA7905KC		
156-0847-00	A	CR	Fairchild	10145ADC	Memory Selection Guide	2-7
			Motorola	MC10145L		
156-0847-01	A	CR	Fairchild	10145ADCQR	Memory Selection Guide	2-7
			Motorola	MC10145LDS/ SCM22690L145		
156-0848-00	A	CS	Motorola	MC10212P/L	ECL	4-7
			Signetics	10212B		
156-0848-01	A	DL	Fairchild ^b	F10212DCQR	ECL	4-7
			Motorola	MC10212PD/LD		
			Signetics	10212N		
156-0849-00	A	CR	Motorola	MC3446P	TTL	6-10
156-0850-00	N	NP	Fairchild	4702BDCOS	CMOS	
			Harris	HD1-4702-9		
			Intersil	IM4702-6A 34702OS	CMOS	
156-0850-01	X	NP				
156-0850-02	A	CR	Fairchild	4702BDCQR	CMOS	3-6
			Harris	HD1-4702-9OS		
156-0851-00	N	NP	Signetics	N8T09A	TTL	
156-0851-01	X	NP		N8T09A	TTL	
156-0851-02	N	CR	Signetics	N8T09ANB/FB	TTL	6-12
156-0852-00	X	NP	Hitachi	HD74LS367AP	TTL	
			Motorola	SN74LS367AN/J		
			Signetics ^b	N74LS367N/F		
			Texas Instruments	SN74LS367N/J 74LS367	TTL	
156-0852-01	N	NP				
156-0852-02	A	CR	Hitachi	HD74LS367AP	TTL	6-11
			Motorola	SN74LS367ANDS		
			Texas Instruments	SN74LS367NP3		
156-0853-00	A	CR	Motorola	LM358N	Operational Amp	8-8
			National Semiconductor	LM358N		
			Signetics	NE532		
156-0853-01	U	DL		LM358N	Operational Amp	
156-0853-02	A	CR	Motorola	LM358J	Operational Amp	8-8
			National Semiconductor	LM358J		
			Signetics	LM358F		
156-0854-00	A	CR	Advanced Micro Devices	LM308AN	Operational Amp	8-10
			National Semiconductor	LM308AN		
			Precision	OP-08PF/PM308-026P		
			Silicon General	SG308AY		
156-0854-01	A	CR	Advanced Micro Devices	LM308AN	Operational Amp	8-10
			National Semiconductor	LM308AJ8A +		
			Precision	PM308-027Z		
			Silicon General	SG308AY		
156-0858-00	A	CR	Siliconix	DG201ACJ	Special Function	7-7

^a For ND Codes (New Design Recommendations) and Status Codes, see tab marked CODES in the back of this catalog.

^b Emergency Vendor only.

TEK PART NUMBER TO VENDOR NUMBER (cont)

Part Number	Codes ^a		Vendor	Vendor No.	Type	Page
	ND	ST				
156-0859-00	N	NP	Monolithic Memories	MMI6306-1J	Memory Selection Guide	2-12
156-0859-01		CR	Monolithic Memories	63S241N	Memory Selection Guide	2-12
156-0860-00	A	CR	Motorola	MC10116L	ECL	4-8
			Signetics	10116F		
156-0860-01	A	NP		10116	ECL	
156-0860-02	A	CR	Motorola	MC10116PD/LD	ECL	4-8
			Signetics	10116N		
156-0861-00	N	NP	Texas Instruments	SN74LS629N/J	Special Function	
156-0861-01	A	CR	Texas Instruments	SN74LS629NP3/JP4	Special Function	7-9
156-0862-00	X	LS	Mostek	MK4096K-11	Memory Selection Guide	
			Motorola	MCM6604L		
156-0862-01	N	OB		MCM6604		
156-0862-02	N	DL	Motorola	MCM6604L02		
156-0863-00	A	CR	Motorola	MC10181L	ECL	4-2
156-0863-01	A	CR	Motorola	MC10181PD/LD	ECL	4-2
			Signetics	10181FB		
156-0864-00	A	DL	Motorola	MC14521BCLOS	CMOS	
156-0864-01	N	CR	Motorola	MC14521BCLDOS	CMOS	3-3
			National Semiconductor	MM4521BCJA +		
156-0865-00	N	NP	Fairchild	74LS273PC/DC	TTL	
			Signetics	N74LS273N/F		
			Texas Instruments	SN74LS273N/J		
156-0865-01	N	NP		74LS273	TTL	
156-0865-02	A	CR	Fairchild	74LS273PCQR/DCQR	TTL	6-13
			Motorola	SN74LS273NDS/JDS		
			Signetics	N74LS273NB/FB		
			Texas Instruments	SN74LS273NP3/JP3		
156-0866-00	N	NP	Fairchild	74LS133PC/DC	TTL	
			Motorola	SN74LS133N/J		
156-0866-01	N	NP		74LS133	TTL	
156-0866-02	A	CR	Fairchild	74LS133PCQR/DCQR	TTL	6-17
			Motorola	SN74LS133NDS/JDS		
156-0867-00	X	DL	Intel	D/C4009	Multifunction	
			National Semiconductor	INS4009P/J		
156-0868-00	X	DL	Intel	D/C4008	CMOS	
			National Semiconductor	INS4008P/J		
156-0869-00	A	NP	National Semiconductor	MM74C151J	CMOS	
156-0869-01	U	CR	National Semiconductor	MM74C151JA +	CMOS	3-4
156-0870-00	A	CS	Fairchild	F10010DC	ECL	4-3
156-0870-01	A	CR	Fairchild	SL81658	ECL	4-3
156-0871-00	X	OB	Signetics	2516N/CM2150N	Memory Selection Guide	2-6
156-0872-00	A	CR	Motorola	MC7912CT	Linear	8-5
			National Semiconductor	LM7912CT		
156-0872-01	A	CR	Fairchild	UA7912UCQR	Linear	8-5
			Motorola	MC7912CTD		
156-0872-02	A	NP	Motorola	MC7912CTD	Linear	8-5
156-0873-00	X	CS	Advanced Micro Devices	AM9130APC/ADC	Memory Selection Guide	
156-0873-01	X	DL		9130A		
156-0873-02	X	NP		9130A		
156-0874-00	N	NP	Fairchild	74LS259	TTL	
			Motorola	SN74LS259N		
			Texas Instruments	74LS259N		
156-0874-01	N	NP		74LS259	TTL	
156-0874-02	A	CR	Fairchild	74LS259PCQR/DCQR	TTL	6-18
			Motorola	SN74LS259NDS/JDS		
			Texas Instruments	SN74LS259NP3/JP4		
156-0875-00	N	NP	Fairchild	74LS51PC/DC	TTL	
			Motorola	SN74LS51N/J		
			National Semiconductor	DM74LS51N/J		
			Signetics	N74LS51N/F		
			Texas Instruments	SN74LS51N/J		

^a For ND Codes (New Design Recommendations) and Status Codes, see tab marked CODES In the back of this catalog.

TEK PART NUMBER TO VENDOR NUMBER (cont)

Part Number	Codes ^a		Vendor	Vendor No.	Type	Page
	ND	ST				
156-0875-01	N	NP	Fairchild Motorola National Semiconductor Signetics Texas Instruments	74LS51	TTL	6-16
156-0875-02	A	CR		74LS51DCQR/PCQR SN74LS51NDS/JDS DM74LS51NA + /JA + N74LS51NB/FB SN74LS51NP3/JP4	TTL	
156-0876-00	N	CR	Harris National Semiconductor	HD1-74C14 MM74C14N/J	CMOS	3-2
156-0876-01	N	CR	National Semiconductor	MM74C14JA +	CMOS	3-2
156-0876-02	A	OB	Motorola RCA ^b	MC14584BCLD CD40106BFX	CMOS	
156-0877-00	A	CR	Intel	D8251A	Multifunction	1-9
156-0877-01	A	CR	Intel	Q/P/D8251A	Multifunction	1-9
156-0877-02	X	CS	Advanced Micro Devices NEC America	D/P8251 UPD8251C/D 8251D	Multifunction	
156-0877-03	U	SC				
156-0877-04	N	CR	Advanced Micro Devices Intel	AM8251A P/D8251A	Multifunction	1-9
156-0878-00	A	NP	Motorola National Semiconductor	MC1489L DS1489J	TTL	
156-0878-01	A	CR	Fairchild Motorola National Semiconductor	UA2489ADCQR MC1489LDS DS1489JA +	TTL	6-10
156-0878-02	U	SC		MC1489L		
156-0879-00	A	NP	Motorola	MC1488	TTL	
156-0879-01	A	CR	Fairchild Motorola National Semiconductor	UA1488DCQR MC1488LD DS1488JA +	TTL	6-10
156-0879-02	U	SC		MC1488L		
156-0880-00	A	CR	Fairchild Motorola	10231DC MC10231L	ECL	4-5
156-0880-01	X	DL		10231	ECL	
156-0880-02	A	CR	Fairchild Motorola	10231PCQR/DCQR MC10231PD/LD	ECL	4-5
156-0880-03	U	CR	Motorola	MC10231P/L	ECL	4-5
156-0880-04	U					
156-0881-00	N	LR	Fairchild ^b	95400DC	Memory Selection Guide	2-7
156-0882-00	X	CS	General Instruments	RO-3-2513CGR-003	MOS	
156-0883-00	N	NP	National Semiconductor	DM74S196J	TTL	
156-0883-01	N	NP		74S196	TTL	
156-0883-02	N	CR	National Semiconductor	DM74S196JA +	TTL	6-6
156-0884-00	X	DL	Digital Com	KEV11	Linear	
156-0886-00	A	NP	Harris National Semiconductor	HD1-74C48 MM74C48J	CMOS	3-4
156-0886-01	X	NP		74C48	CMOS	
156-0886-02	U	CR	National Semiconductor	MM74C48NA +	CMOS	3-4
156-0887-00	X	LR	Harris	HMI-6562-9	Memory Selection Guide	
156-0887-01	X	DL	CNA Components	HM6562		
156-0888-00	N	NP	National Semiconductor	DS75494N	TTL	
156-0888-01	X	NP		75494	TTL	
156-0888-02	N	CR	National Semiconductor	DS75494N/A +	TTL	6-12
156-0893-00	N	NP	Fairchild National Semiconductor ^b	2102FPC/DC 2102AN 2102F	Memory Selection Guide	
156-0893-01	N	DL			Memory Selection Guide	
156-0893-02	U	SC		2102F		
156-0894-00	N	DL	Harris National Semiconductor	HD1-74C89 MM74C89J	CMOS	
156-0895-00	N	NP	Motorola National Semiconductor	MC14020BCL MM4020BCJ	CMOS	

^a For ND Codes (New Design Recommendations) and Status Codes, see tab marked CODES in the back of this catalog.

^b Emergency Vendor only.

TEK PART NUMBER TO VENDOR NUMBER (cont)

Part Number	Codes ^a		Vendor	Vendor No.	Type	Page
	ND	ST				
156-0895-01	A	CR	Motorola RCA	MC14020BCLD CD4020BFX	CMOS	3-3
156-0896-00	A	NP	Motorola	MC14553BCL	CMOS	
156-0896-01	A	CS	Motorola	MC14553BCLD	CMOS	
156-0897-00	N	OB	Motorola	MC14508BCL	CMOS	
156-0898-00	N	NP	Fairchild Motorola RCA	4556BDC MC14556BCL CD4556BF	CMOS	
156-0898-01	A	CR	Fairchild Motorola RCA	4556BDCQR MC14556BCLD CD4556BFX	CMOS	3-4
156-0899-01	N	NP		8316	MOS	
156-0900-01	U	LR		8316	MOS	
156-0902-00	A	CR	Motorola	MC1355P	Linear	8-3
156-0903-00	X	LS	Intel	D3624-4	Memory Selection Guide	
156-0904-00	A	LR	Harris Signetics	HA0-0911-6 XNE5534CK	Operational Amp	
156-0905-00	N	LR	Fairchild	93427DC	Memory Selection Guide	2-12
156-0906-00	A	CS	Motorola	MC1357	Linear	8-3
156-0908-00	A	LS	Intersil	ITS80006	Special Function	7-3
156-0909-00	A	CS	Intersil	ITS80007	Special Function	7-3
156-0910-00	N	NP	Fairchild Motorola Texas Instruments	SL68104 SN74LS390N/J SN74LS390N/J	TTL	
156-0910-01	N	NP		74LS390	TTL	
156-0910-02	A	CR	Fairchild ^b Motorola Texas Instruments	74LS390PCQR/DCQR SN74LS390NDS/JDS SN74LS390NP3/JP4	TTL	6-6
156-0911-00	U	CR	National Semiconductor	LF13202N	Special Function	7-11
156-0912-00	A	OB	RCA	CA3080E	Operational Amp	8-12
156-0912-01	A	CR	Harris National Semiconductor	HA3-23080-5 LM3080N/A +	Operational Amp	8-12
156-0912-02		CR	RCA	CA3080EX CA3080EX	Operational Amp	8-12
156-0913-00	N	NP	Fairchild Motorola Signetics Texas Instruments	74LS377PC/DC SN74LS377N/J N74LS377N/F SN74LS377N/J 74LS377	TTL	
156-0913-01	N	NP		74LS377	TTL	
156-0913-02	A	CR	Motorola Signetics Texas Instruments	SN74LS377NDS/LDS N74LS377NB/FB SN74LS377NP3/JP4	TTL	6-14
156-0914-00	N	NP	Fairchild Monolithic Memories Motorola Signetics Texas Instruments	74LS240PC/DC 74LS240N/J SN74LS240N/J N74LS240N/F SN74LS240N/J	TTL	
156-0914-01	N	NP		74LS240	TTL	
156-0914-02	A	CR	Fairchild Monolithic Memories Motorola Signetics Texas Instruments	74LS240PCQR/DCQR 74LS240N/J SN74LS240NDS/JDS N74LS240NB/FB SN74LS240NP3/JP4	TTL	6-4
156-0914-03	N	CR	Advanced Micro Devices Signetics	74LS240N/J CD2046N/F-03	TTL	6-4
156-0915-00	N	NP	Texas Instruments	SN74LS280N	TTL	
156-0915-01	N	NP		74LS380	TTL	
156-0915-02	A	CR	Texas Instruments	SN74LS280N3/J4	TTL	6-17

^a For ND Codes (New Design Recommendations) and Status Codes, see tab marked CODES in the back of this catalog.

^b Emergency Vendor only.

TEK PART NUMBER TO VENDOR NUMBER (cont)

Part Number	Codes ^a		Vendor	Vendor No.	Type	Page
	ND	ST				
156-0916-00	N	NP	Advanced Micro Devices National Semiconductor	DM81LS97N DM81LS97N	TTL	
156-0916-01	N	NP		81LS97	TTL	
156-0916-02	A	CR	Advanced Micro Devices National Semiconductor	AM81LS97NB/JB DM81LS97ANA + /JA +	TTL	6-4
156-0917-00	N	CR	Signetics	N8881N/F	TTL	6-17
156-0918-00	A	CR	National Semiconductor	LM321AH/A +	Operational Amp	8-10
156-0919-00	N	DL	Raytheon	RC8271DD	TTL	
156-0920-00	A	CS	Fairchild Motorola	10161DC MC10161L	ECL	4-3
156-0920-01	A	CR	Fairchild Motorola	F10161DCQR/PC MC10161PD/LD	ECL	4-3
156-0921-00	A	CR	RCA	CA3140S	Operational Amp	8-11
156-0921-01	A	CR	RCA Trio-Technology	156-0921-01 156-0921-01	Operational Amp	8-11
156-0921-02	A	CR	RCA	CA3140TX	Operational Amp	8-11
156-0922-00	N	CR	Fairchild National Semiconductor Signetics Texas Instruments	74H05PC/DC DM74H05N/J N74H05N/F SN74H05N/J	TTL	6-3
156-0922-01	N	NP		74H05	TTL	6-3
156-0922-02	N	CS	Texas Instruments	SN74H05NP3/JP4	TTL	6-3
156-0923-00	A	LS	Motorola	MC1697P	ECL	4-9
156-0924-00	X	DL	Texas Instruments	TMS4051JL	Memory Selection Guide	
156-0925-00	N	OB	RCA	CD4085BF	CMOS	
156-0925-01	X	LS	Fairchild	4085BDC	CMOS	
156-0925-02	A	OB	RCA	CD4085BFX	CMOS	
156-0926-00	A	CR	Fairchild Motorola National Semiconductor Signetics	UA7824UC MC7824CT LM340T-24 MICROA78HV24CU	Linear	8-4
156-0927-00	A	CR	Motorola Signetics	MC3410CL MC3410CF/F	Special Function	7-4
156-0927-01	N	DL		MC3410	Special Function	
156-0927-02	A	CR	Motorola Signetics	MC3410CLD MC3410CF/F	Special Function	7-4
156-0927-03	U	CR		MC3410	Special Function	7-4
156-0927-04		CR	Motorola	MC3410CLDS	Special Function	7-4
156-0927-05		CR	Motorola	MC3410CL	Special Function	7-4
156-0928-00	N	NP	Advanced Micro Devices Motorola Texas Instruments	AM74LS243N/J SN74LS243N/J SN74LS243N/J	TTL	
156-0928-01	N	NP		74LS243	TTL	
156-0928-02	A	CR	Advanced Micro Devices Motorola Texas Instruments	SN74LS243NB/JB SN74LS243NDS/JDS SN74LS243NP3/JP4	TTL	6-4 & 10
156-0929-00	N	CR	Texas Instruments	SN74159P3/J4	TTL	6-7 & 9
156-0930-00	N	CR	Motorola	SC75012P	Linear	8-5
156-0931-00	N	CR	Harris Motorola	HD1-74C175 MC14175BCL	CMOS	3-4
156-0931-01	N	CR	National Semiconductor National Semiconductor	MM74C175J MM74C175JA +	CMOS	3-4
156-0933-00	A	CR	Silicon General	SG9257	Linear	8-6
156-0933-01	A	CR	Silicon General	SG9976	Linear	8-6
156-0933-02	A	EN	Silicon General	SG3524BN/11203	Linear	8-6
156-0934-00	A	CR	Texas Instruments	SN75152	TTL	6-11
156-0934-01	X	NP		75152	TTL	

^a For ND Codes (New Design Recommendations) and Status Codes, see tab marked CODES in the back of this catalog.

^b Emergency Vendor only.

TEK PART NUMBER TO VENDOR NUMBER (cont)

Part Number	Codes ^a		Vendor	Vendor No.	Type	Page
	ND	ST				
156-0935-00	N	CR	American Micro Systems	S9900	Multifunction	1-4
156-0935-01	N	LR	Texas Instruments American Micro Systems ^b	TMS9900J S9900D/E	Multifunction	1-4
156-0935-02	N	NP	Texas Instruments	MP9534JL 9900	Multifunction	1-4
156-0935-03	N	CR	Texas Instruments	TMS9900-40J	Multifunction	1-4
156-0936-00	A	CR	RCA	CA3080AS/5	Operational Amp	8-12
156-0937-00	A	CR	Analog Devices	AD580LH	Linear	8-7
156-0938-00	N	DL	Harris National Semiconductor	HD1-74C10 MM74C10J	CMOS	3-5
156-0938-01	A	CR	National Semiconductor	MM74C10NA + /JA +	CMOS	3-5
156-0939-00	N	DL	Fairchild	93L28PC/DC	TTL	
156-0940-00	X	LS	Intersil	52S046	TTL	
156-0941-00	N	DL	Harris National Semiconductor	HD1-74C00 MM74C00J	CMOS	3-5
156-0941-01	A	CR	National Semiconductor	MM74C00JA + /NA +	CMOS	3-5
156-0942-00	U	SC		74LS540		
156-0943-00	N	LS	EMM Semiconductor	4804A	Memory Selection Guide	2-10
156-0943-01	N	OB	EMM Semiconductor	4804A	Memory Selection Guide	2-10
156-0944-00	X	DL	Motorola	MC8505P	MOS	
156-0945-00	N	CS	Advanced Micro Devices ^b Intel	D8224 D8224	Multifunction	1-5 & 6-12
156-0945-01	N	CS	NEC America Advanced Micro Devices Intel NEC America	UPB8224D AM8224DCB QD8224 MICROPB8224D	Multifunction	1-5
156-0946-00	A	LR	National Semiconductor	MM5321N	MOS	5-2
156-0946-01	X	DL		5321CN	MOS	
156-0947-00	N	CS	Advanced Micro Devices Intel National Semiconductor NEC America	AM8228D D8228 DP8228J MICROPB8228D	Multifunction	1-8
156-0947-01	X	DL		8228	Multifunction	
156-0947-02	X	LS	Intel	QD8228/S4241	Multifunction	1-8
156-0948-00	N	NP	Fairchild Texas Instruments	74S175DC SN74S175J	TTL	
156-0948-01	N	NP		74S175	TTL	
156-0948-02	A	CR	Fairchild Signetics Texas Instruments	74S175DCQR N74S175FB SN74S175J4	TTL	6-13
156-0949-00	X	LS	Monolithic Memories	67110D	TTL	
156-0950-00	A	LS	Motorola	MCM66750	Memory Selection Guide	2-6
156-0950-01	X	DL		6575		
156-0950-02	X	LS	Motorola	MCM66750PDS/LDS		
156-0951-00	N	NP	National Semiconductor Signetics ^b Texas Instruments	DM74LS173N/J 74LS173N/F SN74LS173N/J	TTL	
156-0951-01	N	NP		74LS173	TTL	
156-0951-02	A	CR	Motorola National Semiconductor Texas Instruments	SN74LS173NDS/JDS DM74LS173NA + /JA + SN74LS173N3/J4	TTL	6-22
156-0952-00	X	OB	Motorola	MCM6581L	Memory Selection Guide	
156-0952-01	X	DL		MCM6581		
156-0953-00	N	NP	Fairchild Motorola Signetics Texas Instruments	74LS85PC/DC SN74LS85N/J N74LS83N/F SN74LS85N/J	TTL	

^a For ND Codes (New Design Recommendations) and Status Codes, see tab marked CODES in the back of this catalog.

^b Emergency Vendor only.

TEK PART NUMBER TO VENDOR NUMBER (cont)

Part Number	Codes ^a		Vendor	Vendor No.	Type	Page
	ND	ST				
156-0953-01 156-0953-02	N A	NP CR	Fairchild Motorola National Semiconductor Signetics Texas Instruments	74LS85 74LS85PCQR/DCQR SN74LS85NDS/JDS DM74LS85NA + /JA + N74LS85NB/FB SN74LS85NP3/JP4	TTL TTL	6-2
156-0953-03	N	DL	Motorola National Semiconductor Texas Instruments	SN74LS85J DM74LS85J SN74LS85J	TTL	
156-0954-00	N	OT	Intel National Semiconductor	8080AC 8080AD	Multifunction	1-3
156-0954-01 156-0955-00	X N	DL NP	Fairchild Monolithic Memories Signetics Texas Instruments	8080A 74LS241PC/DC 74LS241N/J N74LS241N/F SN74LS241N/J	Multifunction TTL	
156-0955-01 156-0955-02	N A	NP CR	Advanced Micro Devices Fairchild Monolithic Memories Motorola Signetics Texas Instruments	74LS241 SN74LS241NB/JB 74LS241PCQR/DCQR SN74LS241N/J SN74LS241NDS/JDS N74LS241NB/JB SN74LS241NP3/JP4	TTL TTL	6-4
156-0956-00	N	NP	Advanced Micro Devices Monolithic Memories Motorola Signetics Texas Instruments	SN74LS244N/J SN74LS244N/J SN74LS244N/J N74LS244N/F SN74LS244N/J	TTL	
156-0956-01 156-0956-02	N A	NP CR	Advanced Micro Devices Monolithic Memories Motorola Signetics Texas Instruments	74LS244 SN74LS244NB/JB SN74LS244N/J SN74LS244NDS/JDS N74LS244NB/FB SN74LS244NP3/JP4	TTL TTL	6-4
156-0956-03 156-0956-04	X N	DL CR	Advanced Micro Devices Signetics	74LS244 N74LS244NB/JB-04 N74LS244NB/FB-04	TTL TTL	6-4
156-0957-00 156-0957-01	N A	NP CR	National Semiconductor Advanced Micro Devices Motorola National Semiconductor	DM74LS169N/J SN74LS169NB2/JB2 SN74LS169NDS/JDS DM74LS169ANA + /JA +	TTL TTL	6-5
156-0958-00	A	CS	Analog Devices Burr-Brown	AD50018 2D131	Special Function	7-5
156-0958-01 156-0959-00 156-0959-01	A A A	CR CS DL	Burr-Brown Burr-Brown	2D131 DAC80-CB1-V DAC-80-CB1-V	Special Function Special Function Special Function	7-5 7-5 7-5
156-0960-00 156-0960-09 156-0961-00	X X N	LS DL CR	Motorola RCA	74S471J TBP18S22 MC14093BCL CD4093RF 4093	Memory Selection Guide Memory Selection Guide CMOS	3-5
156-0961-01	X	DL			CMOS	
156-0961-02	A	CR	Motorola RCA	MC14093BLDS CD4093BFX	CMOS	3-5
156-0961-03 156-0961-04 156-0962-00	X SC N	DL SC CS	Advanced Micro Devices Intel	4093B TC4093 01005-000 8212	CMOS CMOS Multifunction	1-8
156-0963-00 156-0964-00 156-0965-00	N X U	DL DL CS	Intel Fairchild Intel Motorola Intel	8214 FSC35392 D3242/S6624 MC3242AL 3242	Multifunction MOS Multifunction	1-7 1-7
156-0965-01	U	DL			Multifunction	

^a For ND Codes (New Design Recommendations) and Status Codes, see tab marked CODES in the back of this catalog.

TEK PART NUMBER TO VENDOR NUMBER (cont)

Part Number	Codes ^a		Vendor	Vendor No.	Type	Page
	ND	ST				
156-0965-02	U	CR	Intel	D3242/S6625	Multifunction	1-7
156-0966-00	N	NP	Motorola	MC3242ALD	TTL	6-17
156-0966-01	A	CR	Texas Instruments	SN74S260N	TTL	
			Signetics	N74S260ALB		
			Texas Instruments	SN74S260NP3		
156-0967-00	A	CR	Analog Devices	AD561JD	Special Function	7-4
156-0968-00	A	DL	Stantel	STC4116-3D	Memory Selection Guide	2-11
156-0968-01	A	NP		MK4116P-3	Memory Selection Guide	
156-0968-02	U	CR	Motorola	MCM4116BP20	Memory Selection Guide	
			NEC America	UFD416C-2		
156-0968-03	X	CR	ITT Semiconductor	4116N-3	Memory Selection Guide	
			Motorola	MCM4116BP20		
			NEC America	UPD4116C		
156-0969-00	N	CS	Fairchild	F9401DC	Memory Selection Guide	
156-0969-01	X	DL		9401		
156-0969-02	N	CS	Fairchild	F9401DCQR		
156-0970-00	N	NP	Fairchild	74LS26PC/DC	TTL	
			Motorola	74LS26N/J		
			Signetics	74LS26N/F		
			Texas Instruments	SN74LS26N/J		
156-0970-03	A	CR	Fairchild	74LS26PCQR/DCQR	TTL	6-16
			Signetics	N74LS26NB/FB		
			Texas Instruments	SN74LS26NP3/JP4		
156-0971-00	X	DL	Intel	P/D3604L-6	Memory Selection Guide	
156-0972-00	N	LS	Mostek	MK4027-4	Memory Selection Guide	
156-0972-01	N	DL	Mostek	MK4027-4		
156-0972-02		DL	Intel	2104A-4		
156-0972-03	U	NP	Eaton-Pacific	156-0972-03		
			Geo Reliab	156-0972-03		
			Intel	156-0972-03		
			Microtest	156-0972-03		
			Mostek	156-0972-03		
156-0972-04	X	DL		2104		
156-0972-05	U	NP		2104A-4		
156-0973-00	N	CS	Signetics	N82S2708F	Memory Selection Guide	
156-0974-00	U	DL		UA741MJG	Operational Amp	
156-0975-00	N	NP	Advanced Micro Devices	SN74LS299N/J	TTL	
			Fairchild	74LS299PC/DC		
			Texas Instruments	SN74LS299N/J		
156-0975-01	N	DL		74LS299	TTL	6-22
156-0975-02	A	CR	Advanced Micro Devices	DM74LS299NB/J-B	TTL	
			Texas Instruments	SN74LS299NP3/JP4		
156-0975-03	N	CR	Advanced Micro Devices	SN74LS299NB/JB	TTL	6-22
			Hitachi	74LS299P/C		
156-0976-00	A	CR	Signetics	N82S181F	Memory Selection Guide	2-13
156-0977-00	A	CS	Harris	HA2-2655-5	Operational Amp	8-9
156-0978-00	U	NP	Motorola	SCM37226P/L	MOS	
156-0979-00	U	NP	Motorola	SCM37227P/L	MOS	
156-0980-00	U	NP	Motorola	SCM37228P/L	MOS	
156-0981-00	U	NP	Motorola	SCM37229P/L	MOS	
156-0982-00	N	NP	Fairchild	74LS374PD/DC	TTL	
			Monolithic Memories	SN74LS374N/J		
			Signetics	N74LS374N/F		
			Texas Instruments	SN74LS374N/J		

^a For ND Codes (New Design Recommendations) and Status Codes, see tab marked CODES in the back of this catalog.

TEK PART NUMBER TO VENDOR NUMBER (cont)

Part Number	Codes ^a		Vendor	Vendor No.	Type	Page
	ND	ST				
156-0982-01	N	NP		74LS374	TTL	
156-0982-02	N	CR	Motorola	SN74LS374N	TTL	6-14
			Signetics	N74LS374N		
			Texas Instruments	SN74LS374N		
156-0982-03	A	CR	Advanced Micro Devices	SN74LS374NB2/JB2	TTL	6-14
			Fairchild	74LS374PCQR/DCQR		
			Monolithic Memories	SN74LS374N		
			National Semiconductor	DM74LS374NA + /JA +	TTL	
			Signetics	N74LS374NB/FB		
			Texas Instruments	SN74LS374N3/J4		
156-0982-04		EN		74LS374	TTL	6-14
156-0983-00	A	CR	Mostek	MK3880P-4/J-4	Multifunction	1-3
			Zilog	Z-80ACS		
156-0983-01	A	CR	Mostek	MK3880P-4/J-4	Multifunction	1-3
156-0983-02	A	CR	Mostek	3880N-4	Multifunction	1-3
			Zilog	Z80A-CPU-PS		
156-0983-03	A	CR	Mostek ^b	MK3880P-6	Multifunction	1-3
			Zilog	Z80BCPU/CS/DS		
156-0983-04		SC		UPD780-1	Multifunction	
156-0984-00	X	CS	Advanced Micro Devices	27LS00DC	Memory Selection Guide	
156-0984-01	X	DL		N82S116F		
156-0985-00	N	NP	Fairchild	74LS260PC/DC	TTL	
			Motorola	SN74LS260N/J		
			Signetics	N74LS260AN/F		
156-0985-01	A	CR	Fairchild	74LS260PCQR/DCQR	TTL	6-17
			Motorola	SN74LS260NDS/JDS		
			Signetics	N74LS260FB/NB		
156-0985-02	X	DL		74LS260	TTL	
156-0986-00	X	NP	Signetics	2650A-1-1	Multifunction	
156-0986-01	X	NP	Signetics	2650A-1-1	Multifunction	
156-0986-02	X	CR	Signetics	SCN2650AC	Multifunction	1-3
156-0987-00	N	CR	Advanced Micro Devices	AM9140BDC	Memory Selection Guide	2-11
156-0987-01	N	DL		AM9140BDC	Memory Selection Guide	2-11
156-0987-02	N	DL	Advanced Micro Devices	9140	Memory Selection Guide	2-11
156-0988-00	A	CS	National Semiconductor	LM340T-15	Linear	
			Signetics	MICROA78HV15CU		
			Silicon General	SG7815ACP		
156-0989-00	X	NP	Fairchild	74LS670PC/DC	TTL	
			National Semiconductor	DM74LS670N/J		
			Texas Instruments	SN74LS670N/J		
156-0989-01	N	NP		74LS670	TTL	
156-0989-02	A	CR	Fairchild	74LS670PCQR/DCQR	TTL	6-21
			Motorola	SN74LS670NDS/JDS		
			National Semiconductor	DM74LS670NA + /JA +		
			Texas Instruments	SN74LS670NP3/JP4		
156-0990-00	N	NP	Fairchild	74LS136PC	TTL	
			Texas Instruments	SN74LS136N		
156-0990-01	A	CR	Fairchild	74LS136PCQR/DCQR	TTL	6-17
			Texas Instruments	SN74LS136NP3/JP4		
156-0990-02	X	SC		SN74LS136N	TTL	
156-0991-00	A	CR	Fairchild	UA78L05AWC	Linear	8-4
			Motorola	MC78L05ACP		
			Signetics	78L05ACS		
156-0991-01	A	NP	Fairchild	UA78L05AWCQR	Linear	8-4
			Motorola	MC78L05ACPD		
156-0991-02		CR	Fairchild	UA78L05AWC	Linear	8-4
			Motorola	MC78L05ACP		
156-0992-00	N	LR		INT3245	TTL	6-10 & 11
156-0993-00	N	DL	Texas Instruments	SN74LS362N	Multifunction	1-5 & 6-11
156-0993-01	A	LR	Texas Instruments	TIM9904JL4	Multifunction	1-5 & 6-11

^a For ND Codes (New Design Recommendations) and Status Codes, see tab marked CODES in the back of this catalog.

^b Emergency Vendor only.

TEK PART NUMBER TO VENDOR NUMBER (cont)

Part Number	Codes ^a		Vendor	Vendor No.	Type	Page
	ND	ST				
156-0993-02	N	X	Texas Instruments	TIM9904-40J	Multifunction	1-5, & 6-12 & 17 6-5
156-0994-00	N	NP	Fairchild Hitachi Motorola Texas Instruments	74LS151PC/DC HD74LS151P/C 74LS151N/J SN74LS151N/J	TTL	
156-0994-01	N	NP	Advanced Micro Devices Fairchild Hitachi Motorola Texas Instruments	74LS151	TTL	6-7
156-0994-02	A	CR		DM74LS151NB2/JB2 74LS151PCQR/DCQR HD74LS151P/C SN74LS151NDS/JDS SN74LS151NP3/JP4	TTL	
156-0995-00	N	CS	Signetics	N8T16N/F	TTL	6-12
156-0996-00	N	CS	Advanced Micro Devices Motorola Signetics	N8T26AF MC6880/8T26L 8T26AF	TTL	6-12
156-0996-01	A	CR	Advanced Micro Devices Motorola Signetics	N8T26AFB MC6880ALD/8T26ALD N8T26AFB	TTL	6-12
156-0997-00	N	CS	Signetics	N8T15A	TTL	6-12
156-0998-00	N	NP	Motorola Signetics	MC6887/MC8T97L 8T97F	TTL	
156-0998-01	A	CR	Motorola Signetics	8T97LDS N8T97FB	TTL	6-4
156-0999-00	N	NP	Signetics Motorola	N8T98F MC6888/MC8T98L	TTL	6-4
156-0999-01	A	CR	Motorola Signetics ^b	8T98LDS N8T98FB	TTL	
156-1000-00	X	LS	National Semiconductor NEC America	MM5280D 0411D-2	Memory Selection Guide	
156-1013-00	A	CS	Advanced Micro Devices Motorola	S6852E SC67702L	Multifunction	1-9
156-1014-00	N	NP	Texas Instruments	SN74S280N/J	TTL	6-17
156-1014-01	N	CR	Signetics Texas Instruments	N74B280NB/FB SN74S280NP3/JP4	TTL	
156-1015-00	N	CS	Signetics Texas Instruments	N74109B SN74109N	TTL	6-13
156-1016-00	A	CR	National Semiconductor	LM3900N	Operational Amp	8-8
156-1017-00	N	CR	Advanced Micro Devices Fujitsu Intel	AM2716 MBM2716 D2716	Memory Selection Guide	2-14
156-1018-00	A	DL	Motorola Signetics	MC6885/MC8T95L 8T95F	TTL	6-4
156-1018-01	N	DL	Motorola	MC8T95LDS	TTL	
156-1019-00	A	NP	Fairchild Motorola	10210DC MC10210P/L	ECL	
156-1019-01	X	DL	Fairchild Motorola	10210	ECL	4-7
156-1019-02	A	CR		10210PCQR/DCQR MCM10210PD/LD MC10210LD/PD MC10134P/L	ECL	
156-1019-03	U	DL	Motorola	MC10134P/L	ECL	4-3
156-1020-00	A	CR	Motorola	MC10197P/L MC10197PD/LD MC10197L MC10165L/P 10165F	ECL	4-7
156-1021-00	A	CR	Motorola	MC10197P/L	ECL	4-7
156-1021-01	A	CR	Motorola	MC10197PD/LD	ECL	4-7
156-1021-02	A	SC	Motorola	MC10197L	ECL	4-4
156-1022-00	A	DL	Motorola Signetics	MC10165L/P 10165F	ECL	4-4

^a For ND Codes (New Design Recommendations) and Status Codes, see tab marked CODES in the back of this catalog.

^b Emergency Vendor only.

TEK PART NUMBER TO VENDOR NUMBER (cont)

Part Number	Codes ^a		Vendor	Vendor No.	Type	Page
	ND	ST				
156-1022-01	A	CR	Motorola	MC10165PD/LD	ECL	4-4
156-1023-00	A	NP	Signetics	10165FB	ECL	
156-1023-01	A	CR	Fairchild	10166DC	ECL	4-2
156-1024-00	A	CR	Motorola	MC10166L	ECL	
156-1024-01	A	DL	Fairchild	10166DCQR	ECL	
156-1025-00	N	NP	Motorola	MC10166PD/LD	ECL	
156-1025-01	N	NP	Burr-Brown	DAC60-12	Special Function	7-5
156-1025-02	A	CR	Datel-Intersil	DAC660	Special Function	
156-1026-00	N	NP	Advanced Micro Devices	DAC60-12	TTL	6-4 & 10
156-1026-01	N	NP	Motorola	SN74LS242N/J	TTL	
156-1026-02	A	CR	Texas Instruments	SN74LS242N/J	TTL	
156-1026-03	N	DL	Advanced Micro Devices	74LS242	TTL	6-4 & 10
156-1027-00	N	LS	Motorola	SN74LS242NB/JB	TTL	6-4 & 10
156-1027-01	N	CR	Motorola	SN74LS242NDS/JDS	TTL	
156-1027-02	N	NP	Texas Instruments	SN74LS242NP3/JP4	TTL	
156-1028-00	A	CR	National Semiconductor	DM74LS154N	TTL	
156-1028-01	A	DL	Signetics	74LS154N	TTL	
156-1028-02	U	NP	National Semiconductor	74LS154	TTL	6-9
156-1029-00	N	CR	Texas Instruments	DM74LS154NA + SN74LS154N/P3	TTL	
156-1029-01	A	DL	Mostek	74LS154	TTL	
156-1030-00	A	CR	Mostek	MK4027P-3	Memory Selection Guide	
156-1030-01	X	DL	Mostek	MK4027-3	Memory Selection Guide	
156-1030-02	A	NP	Mostek	MK4027J-3	Memory Selection Guide	2-10
156-1030-03	U	CS	Advanced Micro Devices	SM9114BDC	Memory Selection Guide	2-10
156-1031-00	A	CR	Intel ^b	2114/2114AL-4	Memory Selection Guide	
156-1031-01	X	DL	Advanced Micro Devices	2114AL-4	Memory Selection Guide	
156-1031-02	A	DL	Advanced Micro Devices	2114	Multifunction	1-3
156-1031-03	A	NP	Motorola	AM2909ADC	Multifunction	
156-1031-04	U	CS	Motorola	MC2909LC	Multifunction	1-3
156-1031-05	U	CR	National Semiconductor	IDM2909AJC	Multifunction	
156-1031-06	U	CR	Advanced Micro Devices	AM2909ADC	Multifunction	1-3
156-1032-00	A	CR	National Semiconductor	IDM2909AJC	Multifunction	
156-1033-00	A	CR	Fairchild	F100141FC	ECL	4-9
156-1033-01	X	DL	Fairchild	100141	ECL	
156-1033-02	A	NP	Fairchild	100141	ECL	
156-1033-03	U	CS	Fairchild ^b	100141	ECL	
156-1033-04	X	DL	Hitachi	F100131FC	ECL	4-5
156-1033-05	X	DL	Hitachi	HD100131F	ECL	
156-1033-06	X	DL	Signetics	100131Y	ECL	
156-1033-07	A	DL	Fairchild	F100131FCQR	ECL	
156-1033-08	A	NP	Fairchild	100131	ECL	
156-1033-09	U	CS	Fairchild	F100131	ECL	
156-1033-10	U	CR	Signetics	100131Y	ECL	4-5
156-1033-11	U	CR	Fairchild	F100131DC	ECL	4-5
156-1033-12	A	CR	Fairchild	F100102FC	ECL	4-7
156-1033-13	A	CR	Fairchild	F100102FC	ECL	
156-1033-14	X	DL	Hitachi	HD100102F	ECL	
156-1033-15	A	NP	Fairchild	F100102FCQR	ECL	
156-1033-16	U	CS	Fairchild	100102	ECL	
156-1033-17	U	CR	Hitachi	100102	ECL	4-7
156-1033-18	U	CR	Hitachi	HD100102F	ECL	
156-1033-19	A	CR	Fairchild	F100114FC	ECL	4-8
156-1033-20	X	DL	Fairchild	100114	ECL	
156-1033-21	X	DL	Fairchild	F100114FCQR	ECL	
156-1033-22	A	NP	Fairchild	100114	ECL	
156-1034-00	A	CR	Fairchild	F100101FC	ECL	4-7
156-1034-01	A	DL	Fairchild	F100101FCQR	ECL	4-7
156-1034-02	A	NP	Fairchild	100101	ECL	
156-1034-03	U	CS	Fairchild	100101	ECL	

^a For ND Codes (New Design Recommendations) and Status Codes, see tab marked CODES in the back of this catalog.

^b Emergency Vendor only.

TEK PART NUMBER TO VENDOR NUMBER (cont)

Part Number	Codes ^a		Vendor	Vendor No.	Type	Page
	ND	ST				
156-1035-00	N	DL	Fairchild	10405DC	Memory Selection Guide	
156-1035-01	N	CR	Motorola Fairchild	MCM10147L 10405DC	Memory Selection Guide	2-7
156-1036-00	A	CR	Motorola Intel NEC America	SCM22690L147/MC10147LDS D8253-5 UPD8253D-5	Multifunction	1-9
156-1036-01	A	CR	Intel	QD8253	Multifunction	1-9
156-1037-00	A	CR	Motorola Signetics	MCM10139 10139F	Memory Selection Guide	2-12
156-1038-00	A	CR	Fairchild	F10016DC	ECL	4-3
156-1038-01	A	CR	Fairchild	10016DCQR	ECL	4-3
156-1039-00	N	CR	Advanced Micro Devices	AM2857	MOS	5-2
156-1039-01	N	NP		AM2857	MOS	5-2
156-1039-02	N	NP		AM2857	MOS	
156-1040-00	N	NP	Fairchild Texas Instruments	74S51PC/DC SN74S51N/J	TTL	
156-1040-01	N	NP		74S51	TTL	
156-1040-02	N	CR	Fairchild Signetics Texas Instruments	74S51PC/DC N74S51NB/FB SN74S51NP3/JP4	TTL	6-16
156-1041-00	N	NP	Signetics Texas Instruments	74S85F SN74S85J	TTL	
156-1041-01	N	NP		74S85	TTL	
156-1041-02	A	CR	Signetics ^b Texas Instruments	N74S85FB SN74S85NP3	TTL	6-2
156-1042-00	N	CR	Advanced Micro Devices	AM9130BDC	Memory Selection Guide	2-10
156-1042-01	N	DL		9130B	Memory Selection Guide	
156-1043-00	A	CS	Advanced Micro Devices Motorola	AM2901BDC MC2901ALC	Multifunction	1-3
156-1043-01	N	DL	National Semiconductor Advanced Micro Devices National Semiconductor	IDM2901A-1JC/DC AM2901BDC IDM2901A-2DC	Multifunction	
156-1043-02	N	CR	Advanced Micro Devices Motorola	AM2901DCB MC2901ALD	Multifunction	1-3
156-1043-03	A	CR	Advanced Micro Devices National Semiconductor	AM2901CCDB IDM2901A-2NCA + /JCNA +	Multifunction	1-3
156-1044-00	N	CR	Advanced Micro Devices Fairchild ^b	SN74S161J F93S16DC	TTL	6-5
156-1044-01	A	CR	Advanced Micro Devices Fairchild ^b	AM74S161JB F93S16DCQR	TTL	6-5
156-1045-00	N	NP	Fairchild	74LS298PC/DC	TTL	
156-1045-01	A	CR	Texas Instruments Fairchild Motorola Texas Instruments	SN74LS298N/J 74LS298PCQR/DCQR SN74LS298NDS/JDS SN74LS298NP3/JP4	TTL	6-7
156-1046-00	N	NP	Advanced Micro Devices National Semiconductor Texas Instruments	SN74S374J DM74S374J SN74S374J	TTL	
156-1046-01	X	NP		74S374	TTL	
156-1046-02	A	CR	Monolithic Memories ^b National Semiconductor ^b Texas Instruments	SN74S374N SN745374NA + /JA + SN74S374JP4	TTL	6-14
156-1047-00	N	LS	Harris	HD16600-5	TTL	
156-1047-01	X	DL		6605	TTL	
156-1048-00	N	NP	Monolithic Memories Signetics Texas Instruments	SN74S182J N74S182F SN74S182J	TTL	
156-1048-01	N	NP		74S182	TTL	

^a For ND Codes (New Design Recommendations) and Status Codes, see tab marked CODES in the back of this catalog.

^b Emergency Vendor only.

TEK PART NUMBER TO VENDOR NUMBER (cont)

Part Number	Codes ^a		Vendor	Vendor No.	Type	Page
	ND	ST				
156-1048-02	A	CR	Monolithic Memories Texas Instruments	SN74S182J SN74S182JP4	TTL	6-17
156-1049-00	N	CR	Advanced Micro Devices	AM25S08DC	TTL	6-22
156-1049-01	N	DL		25S08	TTL	
156-1050-00	N	CS	Digital Equipment Fairchild ^b National Semiconductor ^b Texas Instruments ^b	1909058 74H21DC DM74H21J SN74H21J	TTL	
156-1051-00	N	CS		2101-2	Memory Selection Guide	
156-1052-00	N	CS	Digital Equipment Intel	2112323 2101-4	Memory Selection Guide	
156-1053-00	N	CS	Signetics Digital Equipment Signetics	2101-1 1909713 N8815N/F	TTL	
156-1054-00	N	CS	National Semiconductor	DM8556N	TTL	6-6
156-1054-01	N	CR	National Semiconductor	DM8556NA + /JA +	TTL	6-6
156-1055-00	X	CS		8640	TTL	6-12
156-1056-00	A	CR	Motorola National Semiconductor	MC1514L LM1514-J	Special Function	7-8
156-1058-00	A	CR	Advanced Micro Devices Monolithic Memories	SN74S240JB 74S240J	TTL	6-4
156-1058-01	A	CR	Texas Instruments Advanced Micro Devices Monolithic Memories Texas Instruments	SN74S240 SN74S240JB SN74S240JSHRP SN74S240JP4	TTL	6-4
156-1059-00	N	NP	Fairchild Motorola Signetics ^b Texas Instruments	74LS109PC/DC SN74LS109N/J 74LS109N/F SN74LS109AN/J	TTL	
156-1059-01	A	CR	Fairchild Hitachi Motorola National Semiconductor Texas Instruments	74LS109PCQR/DCQR HD74LS109P SN74LS109ANDS/JDS DM74LS109NA + /JA + SN74LS109ANP3/JP4	TTL	6-13
156-1060-00	U	DL		6508	MOS	
156-1061-00	N	NP	Fairchild	74S109PC/DC	TTL	
156-1061-01	N	NP		74S109	TTL	
156-1061-02	A	CR	Fairchild	74S109PCQR/DCQR	TTL	6-13
156-1062-00	N	NP	Advanced Micro Devices	AM25S18DC	TTL	
156-1062-01	N	DL		25S18	TTL	
156-1062-02	N	CR	Advanced Micro Devices	AM25S18DCB	TTL	6-18
156-1063-00	N	DL	Fairchild	93S47DC	TTL	
156-1063-01	A	CR	Fairchild	93S47DCQR	TTL	6-2
156-1063-02	X	DL		93S47	TTL	
156-1064-00	N	NP	Advanced Micro Devices Signetics Texas Instruments	SN74S157N/J 74S157B/F SN74S157N/J	TTL	
156-1064-01	N	NP		74S157	TTL	
156-1064-02	A	CR	Advanced Micro Devices Signetics Texas Instruments	SN74S157JB N74S157FB SN74S157JP4	TTL	6-7
156-1065-00	N	NP	Advanced Micro Devices Fairchild Raytheon Signetics Texas Instruments	SN74LS373N/J 74LS373PC/DC 74LS373N/J N74LS373N/F SN74LS373N/J	TTL	
156-1065-01	A	CR	Advanced Micro Devices Fairchild Motorola Texas Instruments	AM74LS373PCB/DCB 74LS373PCQR/DCQR SN74LS373ND/JD SN74LS373NP3/JP4	TTL	6-18
156-1066-00	X	CS	Motorola	MC8507	Multifunction	

^a For ND Codes (New Design Recommendations) and Status Codes, see tab marked CODES in the back of this catalog.

^b Emergency Vendor only.

TEK PART NUMBER TO VENDOR NUMBER (cont)

Part Number	Codes ^a		Vendor	Vendor No.	Type	Page
	ND	ST				
156-1080-00	N	NP	Fairchild National Semiconductor Texas Instruments	7407PC/DC DM8007N/J SN7407N/J	TTL	
156-1080-01	N	CR	Fairchild National Semiconductor Texas Instruments	7407PC/DC DM7407N/J SN7407N/J	TTL	6-3
156-1081-00	N	LS		944	TTL	
156-1082-00	N	OB		936	TTL	
156-1083-00	N	CR	National Semiconductor Signetics Texas Instruments	DM74107NA+ /JA+ N74107NB/FB SN74107NP3/JP4	TTL	6-13
156-1084-00	A	CR	Advanced Micro Devices Signetics	82S62N/J N82S62N/F	TTL	6-17
156-1085-00	A	CR	Fairchild	F100164FC	ECL	4-3
156-1085-01	U	CS		100164		
156-1085-02	U	CR	Fairchild Hitachi Signetics	F100164DC HD100164 100164F	ECL	4-3
156-1085-03	U	CR	Hitachi Signetics	HD100164F 100164	ECL	4-3
156-1086-00	X	CR	Motorola	MC6875P/L	Multifunction	1-5 & 6-5 6-10 & 17
156-1087-00	U	LR	National Semiconductor	MM5213N/J	MOS	
156-1088-00	A	CR	Advanced Micro Devices Intel	C8085A D8085A	Multifunction	1-3
156-1088-01	N	CR	Advanced Micro Devices Intel	D/P8085AB D/P8085A-S4447	Multifunction	1-3
156-1088-02	U	CR	Advanced Micro Devices Intel	D8085A-2 D8085A-2	Multifunction	1-3
156-1088-03	U	CR	Intel	D8085AH-1	Multifunction	1-3
156-1101-00	A	LS	Texas Instruments	TMS2716JL	Memory Selection Guide	2-14
156-1108-00	N	NP	Fairchild Texas Instruments	74LS92P SN74LS92N/J	TTL	
156-1108-01	N	DL		74LS92	TTL	
156-1108-02	A	CR	Fairchild Texas Instruments	74LS92DCQR/PC SN74LS92NP3/JP4	TTL	6-5
156-1110-00	N	DL	National Semiconductor	DS8856	TTL	
156-1111-00	N	NP	Motorola Monolithic Memories Texas Instruments	SN74LS245N/J SN74LS245 N/J SN74LS245N/J 74LS245	TTL	
156-1111-01	N	NP			TTL	
156-1111-02	A	CR	Monolithic Memories Motorola Texas Instruments	SN74LS245J SN74LS245JDS SN74LS245JP4	TTL	6-11
156-1112-00	N	CS	Mostek	MK4027P-2	Memory Selection Guide	
156-1113-00	N	CS	Intel	D4289	Multifunction	1-7
156-1114-00	A	CR	RCA	CA3160E	Operational Amp	8-11
156-1114-01	A	CR	RCA	CA3160E/5	Operational Amp	8-11
156-1115-00	N	CR	RCA	TA6993	CMOS	3-6
156-1118-00	A	CM	Motorola	MC14433PD	Special Function	7-3
156-1119-00	N	DL		158097	TTL	
156-1120-00	N	CS		15861	TTL	6-17
156-1121-00	N	PP		15849	TTL	6-17
156-1122-00	N	CS	Texas Instruments	15863N	TTL	
156-1123-00	N	CS	Texas Instruments	15858N	TTL	6-17
156-1124-00	N	CS	Texas Instruments	15837N	TTL	6-17

^a For ND Codes (New Design Recommendations) and Status Codes, see tab marked CODES in the back of this catalog.

TEK PART NUMBER TO VENDOR NUMBER (cont)

Part Number	Codes ^a		Vendor	Vendor No.	Type	Page
	ND	ST				
156-1125-00	X	NP	ITT Semic	8633N	TTL	
156-1126-00	A	CR	NEC America	UPC311C	Special Function	7-8
			Silicon General	SG311M		
			Texas Instruments	LM311P		
156-1126-01	A	CR	Silicon General	SG10030/311Y	Special Function	7-8
			Texas Instruments	LM311JG4		
156-1126-02	U	NP				
156-1126-03		CR	Texas Instruments	LM311P	Special Function	7-8
156-1127-00	A	CR	Advanced Micro Devices	AM91L14BDC	Memory Selection Guide	2-7
			Intel	D2114AL-4/S7049		
			Intersil	7114S127		
156-1127-01	N	DL	Intel	INT2114L	Memory Selection Guide	2-7
156-1127-02	N	NP	Intel	156-1127-02	Memory Selection Guide	
156-1133-00	A	CR	Motorola	MC3448AP/AL	Multifunction	1-11 & 6-10
156-1133-01	X	NP		MC3448	Multifunction	1-9 & 6-5
156-1133-02	X	NP		MC3448	Multifunction	1-9 & 6-10
156-1134-00	A	CR	RCA	CA3140EX-98	Operational Amp	8-11
156-1134-01	U	CR	RCA	CA3140AE	Operational Amp	8-11
156-1134-02		CR		CA3140	Operational Amp	8-11
156-1146-00	A	LS	Intersil	IM5604CJE	Memory Selection Guide	2-8
156-1147-00	A	CR	Motorola	MC1391P	Linear	8-3
			RCA	CA1391E		
156-1147-01	N	DL	Motorola	MC1391P	Linear	
			RCA	MC1391P		
156-1147-02		CR	National Semiconductor	LM1391N	Linear	8-3
156-1149-00	A	CR	Motorola	MC34001P/LF351N	Operational Amp	8-11
			National Semiconductor	LF351N		
156-1149-01	A	CR	Motorola	MC34001PDS/LF351NDS	Operational Amp	8-11
			National Semiconductor	LF351N/A+		
156-1150-00	A	CR	Motorola	MC79L05ACP	Linear	8-5
			National Semiconductor ^b	LM79L05ACZ		
156-1150-01	A	NP		MC79L05ACP	Linear	8-5
156-1151-00	A	CR	National Semiconductor	DM74S288AJ	Memory Selection Guide	2-12
156-1152-00	N	CR	Motorola	MC14538BCL	CMOS	3-6
156-1152-01	A	CR	Motorola	MC14538BCLDS	CMOS	3-6
156-1153-00	N	OB	National Semiconductor	MM5740AAC/D	MOS	
156-1154-00	U	SC		MC14433P	Linear	

^a For ND Codes (New Design Recommendations) and Status Codes, see tab marked CODES in the back of this catalog.

^b Emergency Vendor only.

TEK PART NUMBER TO VENDOR NUMBER (cont)

Part Number	Codes ^a		Vendor	Vendor No.	Type	Page
	ND	ST				
156-1155-00	U	SC		UPC151C	Operational Amp	
156-1156-00	A	CR	Motorola	LF356N	Operational Amp	8-11
			National Semiconductor	LF356N		
156-1156-01	A	CR	Motorola	LF356NDS	Operational Amp	8-11
			National Semiconductor	LF356N/A +		
156-1157-00	U	DL	NEC America	EA43357	MOS	
156-1158-00	X	DL	NEC America	EA43356	MOS	
156-1159-00	X	SC		L4029B	CMOS	
156-1160-00	A	CR	Fairchild	MICROA78L12AHC	Linear	8-4
			Motorola	MC78L12ACG		
156-1160-01	N	CR	Motorola	MC78L12ACGD	Linear	8-4
156-1160-02	U	EN		TA78L012AP	Linear	8-4
156-1161-00	A	CR	Fairchild	UA317UC	Linear	8-6
			Linear Technology	LM317J		
			National Semiconductor	LM317T		
			Unitrode	UC317T		
156-1161-01	A	CR	Linear Technology	LT317AT	Linear	8-6
156-1164-00	X	CS	Signetics	8X300-IZA	Multifunction	
156-1164-01	X	CS			Multifunction	
156-1165-00	U	SC		STU-001	Linear	
156-1165-01	U	SC		STU-001	Linear	
156-1166-00	U	DL		MC1403P	Linear	
156-1168-00	X	DL	Motorola	MCM6571A	Memory Selection Guide	
156-1169-00	N	OB		74H20	TTL	
156-1170-00	X	CR	National Semiconductor	DM86S64CAB/N	Memory Selection Guide	
156-1171-00	N	CS	Signetics	N82S09-1	Memory Selection Guide	2-8
156-1172-00	N	NP	Fairchild	74LS393P	TTL	
			Motorola	DM74LS393N		
			Texas Instruments	SN74LS393N		
156-1172-01	A	CR	Fairchild	74LS393PCQR/DCQR	TTL	6-6
			Motorola	SN74LS393NDS/JDS		
			Texas Instruments	SN74LS393NP3/JP4		
156-1172-02	N	MP	Motorola	SN74LS393NDS	TTL	
			National Semiconductor	DM74LS393NA +		
156-1172-03	A	CR	Texas Instruments	SN74LS393N3/J4	TTL	6-6
156-1173-00	A	CR	Motorola	MC1403UDS	Linear	8-7
			Silicon General	SG3503Y		
156-1176-00	N	NP	Texas Instruments	SN74LS348N/J	TTL	
156-1176-01	A	CR	Texas Instruments	SN74LS348NP3	TTL	6-12
156-1177-00	N	NP	Texas Instruments	SN74LS147N	TTL	
156-1177-01	A	CR	Texas Instruments	SN74LS147NP3	TTL	6-12
156-1178-00	N	DL	Intel	2115AL	MOS	
156-1178-01	U	SC		2115AL-2	MOS	
156-1179-00	N	NP	Advanced Micro Devices	SN74S241N/J	TTL	
			Monolithic Memories	SN74S241N20		
			Texas Instruments	SN74S241N/J		
156-1179-01	A	CR	Advanced Micro Devices	SN74S241JB	TTL	6-4
			Monolithic Memories	74S241JSCR		
			Texas Instruments	SN74S241JP4		
156-1182-00	A	CR	Signetics	N82S185F	Memory Selection Guide	2-13
156-1183-00	A	CR	Texas Instruments	SN74S197NP3	TTL	6-6
156-1184-00	N	DL	National Semiconductor	DA1200HCB	Special Function	7-5
156-1184-01	U	NP	National Semiconductor	DAC1200HCD	Special Function	
156-1184-02	U	NP	National Semiconductor	DAC1200	Special Function	
156-1185-00	N	DL	Intel	2104A-1	MOS	
156-1186-00	N	LS	Advanced Micro Devices	93L09	TTL	
156-1187-00	N	CS	National Semiconductor	DM74365	TTL	6-11
			Texas Instruments	SN74365N		
156-1188-00	N	LS	Advanced Micro Devices ^b	AM9111DDC	Memory Selection Guide	2-10
			Intel	D2111A-2		
			Synertek ^b		SY2111A-2	

^a For ND Codes (New Design Recommendations) and Status Codes, see tab marked CODES in the back of this catalog.

^b Emergency Vendor only.

TEK PART NUMBER TO VENDOR NUMBER (cont)

Part Number	Codes ^a		Vendor	Vendor No.	Type	Page
	ND	ST				
156-1189-00	N	CR	Advanced Micro Devices Texas Instruments	AM74S189JB/AM27503J SN74S189J	Memory Selection Guide	2-8
156-1189-01	N	CR	Advanced Micro Devices Texas Instruments	AM74S189JB/AM27503DM SN74S189J4	Memory Selection Guide	2-8
156-1191-00	A	CR	Motorola National Semiconductor NEC America Texas Instruments	LF353N LF353N UPC4072C TL072CP	Operational Amp	8-11
156-1191-01	A	CR	Motorola National Semiconductor NEC America Texas Instruments	LF353NDS/TL072CPDS LF353N/A+ UPC4072C TL072CP/ACP3	Operational Amp	8-11
156-1191-02	U	CR	Texas Instruments	TL072CP	Operational Amp	8-11
156-1192-00	U	TC		Linear		
156-1194-00	X	DL	Advanced Micro Devices Texas Instruments	SN74S138N/J SN74S138N/J	TTL	
156-1195-00	N	NP	Advanced Micro Devices	AM26S02PC/DC	TTL	
156-1195-01	N	CR	Advanced Micro Devices	AM26S02PCB/DCB	TTL	6-20
156-1196-00	N	DL	Advanced Micro Devices Texas Instruments	SN74S181N/J SN74S181N/J	TTL	
156-1197-00	N	NP	Texas Instruments	SN74S299J	TTL	
156-1197-01	N	CR	Texas Instruments	SN74S299NP3	TTL	6-22
156-1198-00	N	NP	Texas Instruments	SN74S163J	TTL	
156-1198-01	A	CR	NEC America Texas Instruments	UPC4074C SN74S163JP4	TTL	6-5
156-1199-00	N	DL		74S122	TTL	
156-1200-00	A	CR	Motorola National Semiconductor NEC America Texas Instruments	LF347N LF347N UPC4074C TL074CN	Operational Amp	8-11
156-1200-01	A	CR	Motorola NEC America National Semiconductor Texas Instruments	LF347NDS/TL074CNDS UPC4074C LF347N/A+ TL074CN/PEP3	Operational Amp	8-11
156-1200-02	N	EN	National Semiconductor	LF347N	Operational Amp	8-11
156-1201-00	N	LS	National Semiconductor Texas Instruments	DM74L154N SN74L154N	TTL	
156-1202-00	A	CR	Intel NEC America ^b	QD/QP8257 UPD8257C-5	Multifunction	1-6
156-1200-02		EN	National Semiconductor	LF347N	Operational Amp	8-11
156-1203-00	X	DL	Advanced Micro Devices Intel National Semiconductor NEC America	AM8238 D/P8238 DP8238J/N UPB8238C/D	Multifunction	
156-1204-00	X	DL	Intel	P8259	Multifunction	
156-1204-01	A	CR	Intel	QD8259A	Multifunction	1-7
156-1205-00	A	CR	American Micro Systems Fairchild Motorola	S68B21P/E/C F68B21P MC68B21P/L	Multifunction	1-8
156-1205-01	X	DL	Motorola	MC68B21S/L	Multifunction	1-8
156-1206-00	A	CR	American Micro Systems Motorola	S68B50P/E/C MC68B50P/L	Multifunction	1-9
156-1207-00	A	CR	Motorola	MC79L12ACG	Linear	8-5
156-1207-01	N	CR	Motorola	MC79L12ACGD	Linear	8-5
156-1208-00	U	CR	Motorola	MCM66714C	MOS	1-10

^a For ND Codes (New Design Recommendations) and Status Codes, see tab marked CODES in the back of this catalog.

^b Emergency Vendor only.

TEK PART NUMBER TO VENDOR NUMBER

Part Number	Codes ^a		Vendor	Vendor No.	Type	Page
	ND	ST				
156-1209-00	A	CS	Advanced Micro Devices Motorola	AM2911ADC MC2911LC	TTL	
156-1209-01	A	CR	National Semiconductor Advanced Micro Devices Motorola National	IDM2911AJC AM2911ADCB MC2911LDS IDM2911AJC	Multifunction	1-8
156-1210-00	X	DL	Fairchild Signetics	93425ADC 82S111F	TTL	
156-1211-00	A	CR	National Semiconductor	LF13333N	Special Function	7-7
156-1211-01	U	DL		LF13333	Special Function	
156-1212-00	X	DL	National Semiconductor Signetics ^b	INS8060N MP8060IWA	Multifunction	
156-1212-01	X	CS	National Semiconductor	8060NA +	Multifunction	
156-1213-00	A	CR	Monolithic Memories	6353-1J/5363-1J	Memory Selection Guide	2-12
156-1213-01	U	DL		MM16353-1	Memory Selection Guide	2-12
156-1213-02		PP		638441	Memory Selection Guide	
156-1214-00	A	DL	Motorola	MC10118	ECL	
156-1214-01	A	CR	Motorola	MC10118PD/LD	ECL	4-6
156-1215-00	N	CR	National Semiconductor	MM74C923N	CMOS	3-8
156-1215-01	N	CR	National Semiconductor	MM74C923JA +	CMOS	3-8
156-1216-00	N	DL	Signetics ^b Texas Instruments	74S37F SN74S37J	TTL	
156-1216-01	A	CR	Texas Instruments	SN74S37JP4	TTL	6-3
156-1218-00	N	CR	Fairchild Mostek	3850PC/DC MK3850N3/P-3	Multifunction	1-3
156-1219-00	A	CS	Motorola	MC3440AP	Multifunction	1-11 & 6-10
156-1219-01	X	NP		3440	Multifunction	
156-1219-02	U	DL		MC3440P		
156-1219-03	U	MP	Eaton-Pacific Comp Concepts	156-1219-03 156-1219-03	Multifunction	1-11 & 6-10
156-1220-00	N	NP	National Semiconductor Texas Instruments	DM74LS365N/J SN74LS365AN/J	TTL	
156-1220-01	A	CR	Motorola National Semiconductor	SN74LS365NDS/JDS DM74LS365NA + /JA +	TTL	6-11
156-1221-00	A	CR	Signetics Texas Instruments Motorola Signetics Texas Instruments	SN74LS365NB/FB SN74LS365NP3/JP4 SN74LS378NDS/JDS N74LS378NB/FB SN74LS378NP3/JP4	TTL	6-14
156-1222-00	X	SC		SN74LS290		
156-1223-00	A	CS	Advanced Micro Devices Cypress Fairchild	AM93422PC/DC CY93422APC 93422	Memory Selection Guide	2-8
156-1224-00	U	SC	Motorola	MC7086C		
156-1225-00	A	CR	Motorola National Semiconductor Signetics	LM393N LM393N LM393N	Special Function	7-8
156-1225-01	A	CR	Texas Instruments Motorola National Semiconductor Signetics Texas Instruments	LM393N LM393NDS LM393N/A + LM393N-B LM393P3	Special Function	7-8
156-1225-02	U	DL		LM393	Special Function	
156-1226-00	A	CR	Advanced Micro Devices Linear Technology National Semiconductor Signetics	AM319D LM319J LM319J LM319F	Special Function	7-8

^a For ND Codes (New Design Recommendations) and Status Codes, see tab marked CODES in the back of this catalog.

^b Emergency Vendor only.

TEK PART NUMBER TO VENDOR NUMBER (cont)

Part Number	Codes ^a		Vendor	Vendor No.	Type	Page
	ND	ST				
156-1226-01	A	CR	Advanced Micro Devices	LM319D/883B	Special Function	7-8
156-1227-00	A	CR	National Semiconductor Fairchild Fujitsu Hitachi NEC America	LM319J/A + F10470DC MBM10470-20Z HM10470DG MBM10470D15	Memory Selection Guide	2-7
156-1227-01	U	CR	Fairchild Fujitsu	F10470DCQR MBM10470-20	Memory Selection Guide	2-7
156-1228-00	A	CR	Advanced Micro Devices Hitachi Intel Motorola NEC America Toshiba	AM2147-70DC HM6147H-45 CD2147H MCM2147C70 D2147D-2 TMM2147	Memory Selection Guide	2-11
156-1228-01	U	NP		2147		
156-1229-00	N	NP	Signetics Texas Instruments	N74LS258AN/F SN74LS258N/J	TTL	
156-1229-01	A	CR	Fairchild Motorola National Semiconductor Signetics Texas Instruments	74LS258PCQR/DCQR SN74LS258AND/JD DM74LS258NA + /JA + N74LS258ANB/FB SN74LS258NP3/JP4	TTL	6-7
156-1230-00	N	DL	Signetics	N8T32-001P	Multifunction	
156-1231-00	N	DL	Signetics	N8T32-002P	Multifunction	
156-1232-00	N	DL	Signetics	N8T32-003P	Multifunction	
156-1233-00	N	DL	Signetics	N8T32-004P	Multifunction	
156-1234-00	N	DL	Signetics	N8T32-005P	Multifunction	
156-1235-00	A	CR	Motorola Texas Instruments	SN74LS145ND/LD SN74LS145N3/J4	TTL	6-10
156-1236-00	A	CR	Intersil Siliconix	DG181BA SDG18138	Special Function	7-7
156-1241-00	N	CR	Fairchild Mostek	F3853DC MK3853P	Multifunction	1-10
156-1242-00	N	CS	Fairchild Mostek	F3871EPC MK3871P/90071	Multifunction	1-8
156-1243-00	N	NP	National Semiconductor Texas Instruments	DM74LS47N SN74LS47N	TTL	
156-1243-01	A	CR	National Semiconductor Texas Instruments	DM74LS47NA + /JA + SN74LS47NP3/JP4	TTL	6-10
156-1244-00	A	CR	Motorola National Semiconductor	MC78L08ACG LM78L08ACH	Linear	8-4
156-1246-00	X	DL	Motorola	80909L	Multifunction	
156-1246-01	X	CR	Motorola	80909LD	Multifunction	1-11
156-1247-00	A	CR	Motorola Signetics	MC10130P 10130B	ECL	4-8
156-1247-01	A	DL	Fairchild Motorola Signetics	F10130PCQR/DCQR MC10130PD/LD 10130FB/NB	ECL	4-8
156-1248-00	A	CR	Plessey	SP8629DPB	ECL	4-9
156-1249-00	A	CR	Analog Devices	AD40227/AD581JH/+	Linear	8-7
156-1250-00	N	NP	Monolithic Memories Texas Instruments	74S373N SN74S373N	TTL	
156-1250-01	N	NP	Advanced Micro Devices Texas Instruments	AM74S373J SN74S373J	TTL	
156-1250-02	A	CR	Advanced Micro Devices Monolithic Memories National Semiconductor Texas Instruments	SN74S373NB/JB SN74S373N/D DM74S373NA + /JA + SN74S373NP3/JP4	TTL	6-18
156-1251-00	N	CR	National Semiconductor	DM86LS62NA +	TTL	6-22
156-1252-00	A	CR	Motorola Texas Instruments	74LS148 SN74LS148NP3	TTL	6-12
156-1252-01	X	CR	Motorola Texas Instruments	SN74LS148N/J SN74LS148N/J	TTL	6-12

^a For ND Codes (New Design Recommendations) and Status Codes, see tab marked CODES in the back of this catalog.

TEK PART NUMBER TO VENDOR NUMBER (cont)

Part Number	Codes ^a		Vendor	Vendor No.	Type	Page
	ND	ST				
156-1253-00	A	DL	Signetics Advanced Micro Devices Motorola Precision Signetics	68B00	Multifunction	6-20 7-4
156-1254-00	A	LR		N82S107I	TTL	
156-1255-00	A	CR		DAC-08HQ DAC-08HQ DAC08157Q NE5009-F	Special Function	
156-1255-01	A	CR	Advanced Micro Devices Motorola Precision	DAC-08HQB DAC-08HQDS DAC-08156Q	Special Function	7-4
156-1255-02	U	SC	Precision	DAC08-157Q	Special Function	
156-1255-03		OT				
156-1256-00	A	CR	Intersil National Semiconductor	IH5010CJD/CDD AM9710CN	Special Function	7-7
156-1257-00	N	CR	Intel	D8291A	Multifunction	1-11
156-1257-01	X	SC	Fairchild ^b Motorola National Semiconductor Signetics ^b Texas Instruments	8291A	Multifunction	
156-1258-00	N	NP		74LS112PC/DC SN74LS112N/J DM74LS112N/J N74LS112N/F SN74LS112N/J	TTL	
156-1258-01	A	CR		Motorola National Semiconductor Texas Instruments	SN74LS112NDS/JDS DM74LS112NA + /JA + SN74LS112NP3/JP4	
156-1259-00	A	CR	Analog Devices	AD41055	Special Function	7-6
156-1260-00	A	CR	Motorola National Semiconductor	MC79L15ACP LM79L15ACZ	Linear	8-5
156-1261-00	A	CR	Fairchild Motorola	UA78L15AWC MC78L15ACP	Linear	8-4
156-1261-01	U	DL	Motorola National Semiconductor Texas Instruments	78L15ACP	Linear	8-4 8-4
156-1261-02	U	CR		MC78L15ACPD	Linear	
156-1262-00	N	CR		LM341P-15.0TB MICROA78M15CKF	Linear	
156-1263-00	N	CR	National Semiconductor Texas Instruments	LM341P-5.0TB MICROA78M05CKF	Linear	8-4
156-1264-00	N	CR	National Semiconductor Texas Instruments	LM79M12CPTB MICROA79M12CKF	Linear	8-5
156-1265-00	U	SC	Motorola Silicon General	UPC458C	Linear	8-4
156-1266-00	A	CR		77113LH SG3423AY		
156-1266-01	X	OB	Motorola	71196LH	Linear	6-15
156-1267-00	A	CR	Motorola National Semiconductor Texas Instruments	SN74LS15NDS/JDS DM74LS15NA + /JA + SN74LS15NP3/JP4	TTL	
156-1267-01	N	CS	Fairchild Motorola Texas Instruments	SL82589 SN74LS15NDS/JDS SN74ALS15NP3/JP4	TTL	6-15
156-1268-00	A	CR	Siliconix	SLD1105	Special Function	7-3
156-1268-01	N	CR		SLD2005	Special Function	7-3
156-1269-00	A	CR	Signetics	N82S100I	TTL	6-20
156-1270-00	A	CR	National Semiconductor Precision	LF13508D MUX08063Q	Special Function	7-7
156-1271-00	U	DL	Motorola	MC1410G	Linear	8-9
156-1272-00	A	CR	Exar Signetics	XR5532CN NE5532FE-IIB	Operational Amp	
156-1272-01		PP	Exar Signetics	XR5532P NE5532N	Operational Amp	8-9
156-1273-00	N	NP	Advanced Micro Devices	AM25LS2521PC	TTL	6-2 3-8
156-1273-01	A	CR	Advanced Micro Devices	25LS2521PCB2/DCB2	TTL	
156-1274-00	A	CR	Intersil	ICM7213IPD	CMOS	

^a For ND Codes (New Design Recommendations) and Status Codes, see tab marked CODES in the back of this catalog.

^b Emergency Vendor only.

TEK PART NUMBER TO VENDOR NUMBER (cont)

Part Number	Codes ^a		Vendor	Vendor No.	Type	Page
	ND	ST				
156-1275-00	N	DL	Signetics Texas Instruments	N74LS96N SN74LS96N	TTL	
156-1275-01	N	DL		74LS96	TTL	
156-1275-02	A	CR	Signetics Texas Instruments	N74LS96FB/NB SN74LS96NP3/JP4	TTL	6-22
156-1276-00	U	DL	Motorola National Semiconductor Texas Instruments	SN74LS13N/J DM74LS13N/J SN74LS13N/J	TTL	
156-1276-01	U	DL		74LS13	TTL	
156-1277-00	A	CR	Advanced Micro Devices National Semiconductor	AM81LS95NB/JB DM81LS95NA+/JA+	TTL	6-4
156-1278-00	A	CS	Intel	CD2115A	Memory Selection Guide	2-10
156-1279-00	A	CS	RCA	CPD1857D	CMOS	3-8
156-1280-00	A	CS	RCA	CDP1802AD	Multifunction	1-3
156-1281-00	A	CS	Advanced Micro Devices Intel	AM91L14EPC P2114AL-4/S7129	Memory Selection Guide	2-10
156-1282-00	A	SC	Motorola RCA	MC14532BCL CD4532BF	CMOS	3-8
156-1282-01	U	SC		TC4532BP	CMOS	
156-1282-02	N	CR	Motorola RCA	MC14532BCL CD4532BF	CMOS	3-8
156-1283-00	A	CR	Fairchild	SL28885	Linear	8-6
156-1284-00	A	CR	Motorola	MC3405P/MC3505L	Special Function	7-8
156-1285-00	A	CR	Fairchild Signetics Texas Instruments	74S65DCQR N74365FNB SN74S65NP3/JP4	TTL	6-16
156-1286-00	A	CR	Signetics Texas Instruments	N74S09NB/FB SN74S09N3/J4	TTL	6-15
156-1287-00	A	DL	Fairchild Motorola Signetics	10100PC MC10100P N10100B	ECL	4-6
156-1288-00	N	SC		S4264	MOS	
156-1289-00	N	SC		S4264	MOS	
156-1290-00	N	SC		S4264	MOS	
156-1291-00	A	CR	Texas Instruments	TL062CP/PEP3	Operational Amp	8-11
156-1292-00	N	NP	Texas Instruments	SN74S283J	TTL	
156-1292-01	N	CR	Texas Instruments	SN74S283JP4	TTL	6-2
156-1293-00	A	CR	Advanced Micro Devices Fairchild	AM93L422DC 93L422PC	Memory Selection Guide	2-8
156-1293-01	A	CR	Advanced Micro Devices Cypress Fairchild ^b	AM93L422BPC/DC CY93L422APCB 93L422DCQR	Memory Selection Guide	2-8
156-1295-00	N	CR	Texas Instruments	TMS9902JL	Multifunction	1-9
156-1296-00	N	CR	Texas Instruments	TMS9901JL	Multifunction	1-8
156-1297-00	A	LR	Fujitsu	MB7072E	Memory Selection Guide	2-7
156-1297-01	A	DL		MB7072N	Memory Selection Guide	2-7
156-1298-00	N	NP		SY21H01-2	Memory Selection Guide	2-10
156-1298-01	U	DL		SY21H01-2	Memory Selection Guide	2-10
156-1299-00	X	DL			STTL	
156-1300-00	N	CS		8205	TTL	
156-1301-00	X	DL	Fujitsu ^b	MB8414E	Memory Selection Guide	
156-1301-01	X	LR		HM8414	Memory Selection Guide	
156-1302-00	X	NP	Plessey	SP8610M	ECL	
156-1302-01	A	CS	Plessey	SP8611BDC/DG	ECL	4-9
156-1304-00	A	CR	Motorola Texas Instruments	MC75140LDS SN75140JG4	TTL	6-11
156-1305-00	A	CR	Siliconix	SLD2105	Special Function	7-3

^a For ND Codes (New Design Recommendations) and Status Codes, see tab marked CODES in the back of this catalog.

^b Emergency Vendor only.

TEK PART NUMBER TO VENDOR NUMBER (cont)

Part Number	Codes ^a		Vendor	Vendor No.	Type	Page
	ND	ST				
156-1306-00	A	CR	Siliconix	SLD2004	Special Function	7-3
156-1306-01	U	DL		LD120CJ		
156-1307-00	A	CM	Burr-Brown	ADC80AG-12	Special Function	7-2
156-1308-00	A	CR	Raytheon	RM4194DC	Linear	8-6
156-1308-01	A	NP		RM4194DC	Linear	8-6
156-1309-00	A	CR	Fairchild Motorola	10192DCQR MC10192LD	ECL	4-8
156-1310-00	A	DL	Signetics Harris Intersil	10192FB HD3-6402 IM6402IPL	Multifunction	1-9
156-1310-01	X	CR	Intersil	64S021	Multifunction	1-9
156-1310-02	A	PP	Intersil	64S02IPL	Multifunction	1-9
156-1311-00	N	NP	Signetics	NE5018N-11B	Special Function	7-4
156-1311-01		CR	Signetics	NE5018NE	Special Function	7-4
156-1312-00	A	CR	Precision	SMP11-FY	Special Function	7-10
156-1313-00	A	CR	Motorola Texas Instruments	SN74LS166NDS/JDS SN74LS166N3/J4	TTL	6-22
156-1314-00	A	CS	Motorola	MC8506P/L	TTL	6-17
156-1315-00	A	CR	Advanced Micro Devices National Semiconductor Texas Instruments ^b	AM26LS32PC/DC DS26LS32N + /J + AM26LS32N3/J4	TTL	6-10
156-1316-00	A	CR	Advanced Micro Devices National Semiconductor	AM26LS30PC/DC DS3691N/J	TTL	6-10
156-1318-00	A	CR	Motorola Signetics Texas Instruments	SN74LS375NDS/JDS N74LS375NB/FB SN74LS375NP3/JP3	TTL	6-18
156-1319-00	A	CS	RCA	CD40115D	CMOS	3-8
156-1320-00	A	CR	Motorola RCA	MC14078BCLDS CD4078BFX	CMOS	3-5
156-1321-00	A	CR	Hybrid Systems	DAC331C-10-1	Special Function	7-4
156-1322-00	A	CR	Analog Devices Linear Technology	AD40374 LT10318CH-R	Linear	8-7
156-1323-00	A	CR	Advanced Micro Devices	AM91L24CDC	Memory Selection Guide	2-10
156-1323-01	A	CR	Advanced Micro Devices	IN91L24	Memory Selection Guide	2-10
156-1324-00	N	CR	National Semiconductor Signetics	LM361N/A + NE529N	Special Function	7-8
156-1325-00	A	CS	Texas Instruments	TBP18SA030	Memory Selection Guide	2-12
156-1326-00	A	CR	Advanced Micro Devices Texas Instruments	SN74LS379NB2/JB2 SN74LS379N3/J4	TTL	6-14
156-1327-00	A	CR	Mitel Semiconductor National Semiconductor	MD74SC374AE MM74C374NA + /JA +	CMOS	3-4
156-1327-01	X	DL	National Semiconductor	MM74C374JA +	CMOS	
156-1328-00	N	CS	Signetics	82S70NB/FB	TTL	6-22
156-1329-00	A	CR	Analog Devices	AD565AJD	Special Function	7-5
156-1330-00	U	SC		S4216B	TTL	
156-1331-00	X	SC		HD74S86S	TTL	
156-1332-00	X	SC		HD74S64S	TTL	
156-1333-00	X	SC		7D74S04S	TTL	
156-1334-00	N	SC		HD10125S	TTL	
156-1335-00	A	CR	Fairchild	96LS02PCQR/DCQR	TTL	6-20
156-1336-00	N	NP	National Semiconductor	INS8250DA + /NA +	Multifunction	1-9
156-1336-01	A	CR	National Semiconductor	INS8250BD/N	Multifunction	1-9
156-1337-00	A	CS	National Semiconductor	MM5369AA/N	CMOS	3-8
156-1338-00	A	CR	Signetics Texas Instruments	NE5534N NE5534P	Operational Amp	8-9
156-1338-01	A	CR	Signetics	NE5534AN	Operational Amp	8-9
156-1338-02	A	CR	Exar Signetics Texas Instruments	XR5534CN NE5534N-B NE5534P3	Operational Amp	8-9

^a For ND Codes (New Design Recommendations) and Status Codes, see tab marked CODES in the back of this catalog.

^b Emergency Vendor only.

TEK PART NUMBER TO VENDOR NUMBER (cont)

Part Number	Codes ^a		Vendor	Vendor No.	Type	Page
	ND	ST				
156-1339-00	A	CR	Signetics	NE521N/SUPRII-B	Special Function	7-8
156-1340-00	N	NP	Motorola RCA	MC14071BCL CD4071BF	CMOS	
156-1340-01	A	CR	Motorola RCA	MC14071BCLD CD4071BFX	CMOS	3-5
156-1341-00	N	NP	Fairchild National Semiconductor	F40098BDC MM80C98J	CMOS	3-2
156-1341-01	A	CR	Fairchild National Semiconductor	F40098BDCQR MM80C98JA +	CMOS	3-2
156-1342-00	A	CR	American Micro Systems Fairchild Motorola	S6802D/C F6802S MC6802S/L	Multifunction	1-3
156-1342-01	A	CR	American Micro Systems Fairchild Motorola	S68A08P F68A08P/D SC67127P	Multifunction	1-3
156-1343-00	A	CR	Signetics	82S129FN/IN	Memory Selection Guide	2-12
156-1344-00	A	CR	Analog Devices Plessey	AD968BH SP9685CM	Special Function	7-8
156-1345-00	A	OT	TRW Inc	TDS5180/1007JICS	Special Function	7-2
156-1346-00	X	CR	Fairchild	3341ADC	Memory Selection Guide	2-3
156-1347-00	N	CS	National Semiconductor	DS88L12N/J	TTL	6-4
156-1348-00	A	CR	National Semiconductor	LM345-5.2K	Linear	8-5
156-1350-00	U	DL		2125AL-2	TTL	
156-1351-00	N	CS	Advanced Micro Devices Fairchild Signetics	SN74S158PC/DC 74S158PC/DC N74S158N/F	TTL	6-7
156-1351-01	A	CR	Texas Instruments National Semiconductor Signetics Texas Instruments	SN74S158N/J DM74S158NA + /JA + N74S158NB/FB SN74S158NP3/JP4	TTL	6-7
156-1351-02	X	DL				
156-1352-00	N	CR	National Semiconductor RCA	CD4019BCJA + CD4019BFX	CMOS	3-5
156-1353-00	A	PP	NEC America	UPD41D-3/C-3	Memory Selection Guide	
156-1353-01	X	DL		4116-2		
156-1353-02	A	DL		4116-2		
156-1354-00	A	CR	Signetics	N82S191F/I	Memory Selection Guide	2-13
156-1355-00	A	CS	Advanced Micro Devices Motorola National Semiconductor	AM2910DC MC2910L IDM2910AJ		
156-1355-01	A	CR	Advanced Micro Devices National Semiconductor	AM2910DCB IDM2910AJ/A +		
156-1356-00	N	CR	Intel NEC America ^b	D/P8243-S5037 UPB8243C/D	Multifunction	1-8
156-1356-01	A	NP	Intel	D/P8243	Multifunction	1-8
156-1357-00	A	CR	Advanced Micro Devices	AM27LS00DCB/PCB	Memory Selection Guide	2-8
156-1359-00	X	LS	Fujitsu ^b Harris	MB8414E HM1/3-6514-5-5	Memory Selection Guide	
156-1359-01	X	DL		6514-5	Memory Selection Guide	
156-1359-02	X	LS		8414C	Memory Selection Guide	2-9
156-1360-00	A	CS	Advanced Micro Devices Fairchild Motorola	AM93422PC/DC 93422DC/PC MCM93422DC/PC	Memory Selection Guide	2-8
156-1360-01	A	CR	Advanced Micro Devices Cypress Fairchild Motorola	AM93422PCQR/DCQR CY93422PCB 93422PCQR/DCQR MCM93422DC/PC	Memory Selection Guide	2-8

^a For ND Codes (New Design Recommendations) and Status Codes, see tab marked CODES in the back of this catalog.

^b Emergency Vendor only.

TEK PART NUMBER TO VENDOR NUMBER (cont)

Part Number	Codes ^a		Vendor	Vendor No.	Type	Page
	ND	ST				
156-1361-00	U	DL	National Semiconductor	36000P-5	Special Function	7-6
156-1362-00	A	CR		LM331N		
156-1363-00	N	CR	Raytheon	RC4151NB	TTL	6-3
			Fairchild	74LS14		
			Motorola	MC74LS14		
			Signetics	N74LS14X		
			Texas Instruments	SN74LS14YMP		
156-1364-00	A	CR	Intel	D8748	Multifunction	1-2
156-1364-01	A	CR	Intel	D8748H	Multifunction	1-2
156-1365-00	A	CR	Intel	D8741A	Multifunction	1-2
156-1366-00	A	CR	Analog Devices	AD11/296	Special Function	7-4
			Micro Power	MP7523JN		
156-1366-01	U	SC		AD7523	CMOS	
156-1367-00	A	CR	Analog Devices	AD11/297	Special Function	7-4
			Micro Power	MP7524JN		
156-1367-01	U	SC		AN7524		
156-1368-00	A	OB	Motorola	MC14555BCL	CMOS	3-4
			RCA	CD4555BF		
156-1369-00	A	OB	Motorola	MC14022BCLD	CMOS	
			RCA	CD4022BFX		
156-1370-00	A	CR	Linear Technology	LF398H	Special Function	7-10
			National Semiconductor	LF398H		
156-1371-00	A	SC	Fairchild	74LS168PC	TTL	6-5
			Motorola	SN74LS168NDS		
			National Semiconductor	DM74LS168NA+/JA+		
156-1372-00	X	LS	Texas Instruments	TBP18S42	Memory Selection Guide	2-12
156-1372-01	U	OB	Texas Instruments	TBP18S42		
156-1373-00	X	DL	Fairchild ^b	74LS125APC/DC	TTL	
			National Semiconductor	DM74LS125N/J		
			Texas Instruments	SN74LS125AN/J		
156-1373-01	A	CR	National Semiconductor	DM74LS125NA+/JA+	TTL	6-17
			Texas Instruments	SN74LS125N3/J4		
156-1374-00	A	DL	Fairchild	10180DCQR	ECL	
			Motorola	MC10180L1		
156-1375-00	N	DL	Advanced Micro Devices ^b	AM25LS2569PC/DC	TTL	
156-1375-01	A	CS	Advanced Micro Devices	AM25LS2569PCB/DCB	TTL	
156-1376-00	A	OT	Fairchild	74LS181PCQR/DCQR	TTL	6-2
			Motorola	SN74LS181N/J		
			Signetics	N74LS181NB/FB		
			Texas Instruments	SN74LS181N		
156-1377-00	U	DL		2716	NMOS	
156-1378-00	U	DL		2716	NMOS	
156-1379-00	U	DL		2716	NMOS	
156-1380-00	U	DL		2716	NMOS	
156-1382-00	A	CR	Mostek	MK4801AP/J-4	Memory Selection Guide	2-11
156-1382-01	A	DL	Mostek	MK4118A-4P/J	Memory Selection Guide	
156-1382-02	X	DL	Mostek	MK4118AN-4	Memory Selection Guide	2-11
156-1383-00	A	CS	Mostek	MK4118A-2	Memory Selection Guide	2-11
156-1385-00	A	CR	Advanced Micro Devices	AM2942DCB	Multifunction	1-9
156-1386-00	U	DL	SMC Micro	T5027	Multifunction	1-5
			Solid State	SND5027		
			Texas Instruments	TMS9927		
156-1386-01	U	CS	SMC Micro	T5027C	Multifunction	1-5
			Solid State	SND5027D/C		
156-1387-00	A	CS	Intel	D8039	Multifunction	1-2
156-1388-00	A	CR	Advanced Micro Devices	SN74LS399NB/JB	TTL	6-8
			Motorola	SN74LS399N/J		
			Texas Instruments	SN74LS399N/J		

^a For ND Codes (New Design Recommendations) and Status Codes, see tab marked CODES in the back of this catalog.

^b Emergency Vendor only.

TEK PART NUMBER TO VENDOR NUMBER (cont)

Part Number	Codes ^a		Vendor	Vendor No.	Type	Page
	ND	ST				
156-1389-00	X	PP	Advanced Micro Devices	AM2950DC/ADC	Multifunction	1-8
156-1390-00	U	CS	Texas Instruments	TBP18SA030	TTL	
156-1391-00	N	DL	National Semiconductor	LF352D	Operational Amp	
156-1392-00	A	NP	Monolithic Memories	6349-1J	Memory Selection Guide	2-12
156-1392-01	A	PP	Monolithic Memories	638441	Memory Selection Guide	2-12
156-1393-00	X	CR	Signetics ^b	N74S38FB	TTL	6-3
			Texas Instruments	SN74S38NP3/JP4		
156-1393-01	A	CR	Signetics	74S38NB	TTL	6-3
			Texas Instruments	SN74S38NP3/JP4		
156-1394-00	N	CS	Advanced Micro Devices	AM93S10PC/DC	TTL	
			Fairchild	93S10PC/DC		
156-1395-00	N	NP	Fairchild	74LS158PC/DC	TTL	
			National Semiconductor	DM74LS158N/J		
156-1395-01	A	CR	Fairchild	74LS158PCQR/DCQR	TTL	6-7
			Motorola	SN74LS158ND/JD		
			National Semiconductor	DM74LS158NA + /JA +		
			Texas Instruments	SN74LS158NP3/JP4		
156-1396-00	A	DL	Nippon Electric	UPC616A	Special Function	
156-1397-00	A	CR	National Semiconductor	MM74C30JA +	CMOS	3-5
156-1398-00	A	CR	National Semiconductor	MM74C373JA +	CMOS	3-6
156-1399-00	X	OB	Fairchild	9406PC/DC	TTL	
156-1400-00	U	DL		9124E	NMOS	
156-1401-00	A	LR	National Semiconductor	LM1848N	Linear	8-3
156-1402-00	N	CS	Rockwell International	R6500/1EAC	Multifunction	1-10
			Synertek ^b	SY6500/1EA		
156-1403-00	A	CR	Advanced Micro Devices	AM2732DC	Memory Selection Guide	2-14
			Fujitsu	MBM2732		
			Hitachi	HN462732		
			Intel	D2732/S6615		
156-1403-01	U	DL		2732		
156-1404-00	N	LR	Texas Instruments	SBP9900AJC	Multifunction	1-4
156-1405-00	U	DL		78HV12	Linear	
156-1406-00	U	DL		78HV18	Linear	
156-1407-00	A	CR	National Semiconductor	DS8863N/J	TTL	6-12
156-1408-00	A	CR	Intersil	ICM7555/IPA	Special Function	7-11
			Texas Instruments	TLC555CP/CJG		
156-1408-01	A	CR	Intersil	ICM7555/883-BIPA	Special Function	7-11
			Texas Instruments	TLC55CP3/CN3		
156-1408-02	U	CR	Texas Instruments	TLC555CP	Special Function	7-11
156-1409-00	A	CR	Burr-Brown	DAC80-CCD-I	Special Function	7-5
156-1409-01	A	NP		DAC80-CCD-I	Special Function	7-5
156-1411-00	X	NP	LSI Computer	LS7031	MOS	5-2
156-1412-00	A	CR	Intel	D8272A	Multifunction	1-5
			NEC America	UPD765AC/D		
156-1413-00	U	DL			NMOS	
156-1414-00	N	CR	Texas Instruments	SN75160N/J	Multifunction	1-11
156-1414-01	A	CR	Texas Instruments	SN75160NP3/JP4	Multifunction	1-11
156-1414-02	U	CR	National Semiconductor	DS75160AN/JA +	Multifunction	1-11
			Texas Instruments	SN75160ANP3/JP4		
156-1415-00	A	CR	Texas Instruments	SN75161AN/J	Multifunction	1-11
156-1415-01	A	CR	National Semiconductor	DS75161ANA + /JA +	Multifunction	1-11
			Texas Instruments	SN75161ANA + /JA +		
156-1416-00	A	CR	Advanced Micro Devices	D8086B	Multifunction	1-4
			Intel	D8086-S4393		
			Microsemiconductor	SAB8086-C		
			NEC America	D8086D		
156-1416-01	A	CR	Advanced Micro Devices	D8086-2AN	Multifunction	1-4
			Intel	D8086-2		
156-1417-00	A	CR	Intel	D2716-1/S6623	Memory Selection Guide	2-14
156-1418-00	U	SC		UPB147D		
156-1419-00	X	SC		TC5037P		

^a For ND Codes (New Design Recommendations) and Status Codes, see tab marked CODES in the back of this catalog.

^b Emergency Vendor only.

TEK PART NUMBER TO VENDOR NUMBER (cont)

Part Number	Codes ^a		Vendor	Vendor No.	Type	Page
	ND	ST				
156-1420-00	U	SC	Synertek	SYP2332/51079		
156-1421-00	X	SC		TC4022BP		
156-1422-00	U	SC		CA3240E	Operational Amp	
156-1422-01		PP	RCA	CA3240E	Operational Amp	8-11
156-1423-00	U	SC		AN6551	Operational Amp	
156-1424-00	A	NP	Zilog	Z80A-SIO/1CS	Multifunction	
156-1424-01	A	CR	Mostek	MK3885P-4/N-4	Multifunction	1-9
			Zilog	Z80A-SIO/1PS-1/1CS-1		
156-1424-02	U	SC				
156-1425-00	U	CR	Rockwell International Synertek	R6502P/C SYP/SYC6502	Multifunction	1-3
156-1425-01	U	CR	Rockwell International Synertek	R6502AP/AC SYP/SYC6502A	Multifunction	1-3
156-1426-00	A	CR	Motorola	MC68B40L/P	Multifunction	1-9
156-1427-00	A	CR	Intel	D8288	Multifunction	1-8
156-1427-01	A	CR	Intel	QD/D8288-S4244	Multifunction	1-8
156-1428-00	N	DL	Intel	D8284A	Multifunction	
156-1428-01	A	NP	Intel	D8284A	Multifunction	
156-1428-02	A	CR	Intel	QD/D8284A	Multifunction	1-5
156-1429-00	A	LS	NEC America	UPD444C	Memory Selection Guide	2-9
156-1429-01	X	DL		UPD444	Memory Selection Guide	2-9
156-1430-00	A	CR	National Semiconductor	MM74C911N/J	CMOS	3-8
156-1431-00	A	CR	National Semiconductor	MM74C912N/J	CMOS	3-3
156-1432-00	N	NP	Fairchild	74LS156PC/DC	TTL	
			Motorola	SN74LS156N/J		
			Signetics	N74LS156N/F		
			Texas Instruments	SN74LS156N/J		
156-1432-01	N	NP		74LS156	TTL	
156-1432-02	A	CR	Fairchild	74LS156PQQR/DCQR	TTL	6-9
			Motorola	SN74LS156NDS/JDS		
			Signetics	N74LS156NB/FB		
			Texas Instruments	SN74LS156NP3/JP4		
156-1433-00	A	LR	National Semiconductor	MM5837N	MOS	5-2
156-1434-00	A	CR	Intel	P/D8035HL	Multifunction	1-2
156-1435-00	A	CR	Intersil	ICL7107CPL	Special Function	7-3
156-1436-00	A	OB	Motorola	MC1404AU6DS	Linear	8-7
156-1437-00	A	CR	Motorola	MC1404AU5DS	Linear	8-7
			Precision	REF02-040Z		
156-1438-00	A	CR	Texas Instruments	TBP28S86N	Memory Selection Guide	2-13
156-1439-00	A	OB	Motorola	MC1403AUDS	Linear	8-7
156-1441-00	A	CR	TRW	10-16J5C10	Special Function	7-4
156-1441-01	N	CR		TDC1016J-10	Special Function	7-4
156-1442-00	U	DL	Intel	D8202	Memory Selection Guide	2-2
156-1443-00	A	OT	Analog Devices Burr-Brown Harris	ADDAC80-Z-CBI-I 2D158 HA1-5680-I	Special Function	7-5
156-1444-00	N	NP	Texas Instruments	TMS9914NL/JL	Multifunction	
156-1444-01	A	CR	Texas Instruments	9914A-N	Multifunction	1-11
156-1444-02	X	DL	Texas Instruments	TMS9914AJL/DL	Multifunction	1-11
156-1445-00	A	CR	Motorola	MC68000L8CC1/GN7	Multifunction	1-4
156-1445-01	A	CS	Motorola	MC68000L6	Multifunction	1-4
156-1445-02	U	CR	Motorola	MC68000L10	Multifunction	1-4
156-1445-03	A	CR	Hitachi	HD68000-12	Multifunction	1-4
			Motorola	MC68000L12		
			Thomson-CSF	EF68000-12C		
156-1445-04	U	CR	Motorola	MC68000G8	Multifunction	1-4
156-1446-00	A	CR	Signetics	NE5533N	Operational Amp	8-9
156-1446-01	A	CR	Signetics	NE5533AN	Operational Amp	8-9
156-1446-02	A	CR	Exar	XR-5533N	Operational Amp	8-9
			Signetics	NE5533F		

^a For ND Codes (New Design Recommendations) and Status Codes, see tab marked CODES in the back of this catalog.

TEK PART NUMBER TO VENDOR NUMBER (cont)

Part Number	Codes ^a		Vendor	Vendor No.	Type	Page
	ND	ST				
156-1447-00	X	SC	Fairchild Texas Instruments	74S113	TTL	6-6
156-1448-00	N	NP		74LS490PC/DC SN74LS490N3/J4		
156-1448-01	A	CR	Fairchild Motorola Texas Instruments	74LS490PC01/DCQR SN74LS490NDS/JDS SN74LS490NP3/JP4	TTL	6-6
156-1449-00	A	NP	Plessey	SP8627DG/DP	ECL	4-9
156-1451-00	A	CR	National Semiconductor	LM337T	Linear	8-6
156-1452-00	A	CR	National Semiconductor	DM74S287J	Memory Selection Guide	2-12
156-1453-00	N	DL	Monolithic Memories	6301-1J	Memory Selection Guide	6-12
156-1454-00	N	CR	National Semiconductor	DS8654N/J	TTL	
156-1454-01	U	CR	National Semiconductor	DS8654NA + /JA +	TTL	6-12
156-1455-00	A	CR	Intel	D/P8275	Multifunction	1-5
156-1456-00	N	CS	National Semiconductor Advanced Micro Devices Intersil National Semiconductor	DS8275N/J AM2502PC/DC AM2502CPE/CJE DM2502CN/J	TTL	6-22
156-1457-00	A	CR	Analog Devices	AD41127	Special Function	7-6
156-1457-01	N	CR	Analog Devices	AD536AJH	Special Function	7-6
156-1457-02	N	DL		AD536AJH	Special Function	
156-1458-00	A	CR	Motorola	MC6844P/L	Multifunction	1-6
156-1458-01	A	DL	Motorola	MC6844PDS/LDS	Multifunction	1-6
156-1459-00	A	CR	Texas Instruments	SN75162AN/J	Multifunction	1-11
156-1460-00	A	CR	Signetics	N2661BC1128	Multifunction	1-9
156-1461-00	A	CR	Advanced Micro Devices Intel	AM91L14EDC D2114AL-4/S7127	Memory Selection Guide	2-10
156-1461-01	X	DL	Advanced Micro Devices Intel	AM91L14EDC C2114AL	Memory Selection Guide	2-10
156-1461-02	U	DL		C2114AL-4		
156-1462-00	A	CR	Advanced Micro Devices	AM27S29DC	Memory Selection Guide	2-12
156-1463-00	U	SC		HD10117	ECL	
156-1464-00	U	SC		8755A	MOS	
156-1465-00	X	SC		HD74LS122	TTL	
156-1466-00	X	DL		HD74LS123	TTL	
156-1467-00	U	SC		8155	MOS	
156-1468-00	U	SC		NE522	Linear	
156-1469-00	U	SC		DAC20CQ	Linear	
156-1470-00	U	SC		TL082	Linear	
156-1471-00	U	SC		IT400	Linear	
156-1472-00	U	SC		CA3280	Linear	
156-1473-00	X	NP		ICM7218A	CMOS	
156-1473-01	U	SC		ICM7218A	CMOS	
156-1474-00	U	SC		AM687	TTL	
156-1475-00	X	SC		8255A-5	MOS	
156-1476-00	N	SC		MC10114	ECL	
156-1477-00	U	SC		TL494	Linear	
156-1478-00	A	NP	Motorola RCA	MC14081BCL CD4081BF	CMOS	
156-1478-01	X	CR	Motorola RCA	MC14081BCLDS CD4081BFX	CMOS	3-5
156-1479-00	N	NP	Advanced Micro Devices National Semiconductor	AM81LS98PC/DC DM81LS98N/J	TTL	
156-1479-01	A	CR	Advanced Micro Devices National Semiconductor	AM81LS98PCB/DCB DM81LS98NA + /JA +	TTL	6-4
156-1480-00	A	CR	Motorola National Semiconductor RCA	MC14075BCLDS MM4075BCJA + CD4075BFX	CMOS	3-5
156-1481-00	A	CR	Advanced Micro Devices Fairchild Texas Instruments	AM25LS22PCB/DCB 74LS322PC/DC SN74LS322NP3/JP4	TTL	6-22

^a For ND Codes (New Design Recommendations) and Status Codes, see tab marked CODES in the back of this catalog.

TEK PART NUMBER TO VENDOR NUMBER (cont)

Part Number	Codes ^a		Vendor	Vendor No.	Type	Page
	ND	ST				
156-1482-00	U	CR	MOS Technology Rockwell Synertek	6504 R6504P/C SYP/SYC6504/S10754	Multifunction	1-3
156-1483-00	A	CR	Intersil	ICL7106CPL	Special Function	7-3
156-1484-00	X	LR	EMM	35392C	Memory Selection Guide	
156-1485-00	U	OB	Micro Electronics	6U27A17	Operational Amp	
156-1486-00	A	CR	Motorola RCA	MC14512BCLD CD4512BFX	CMOS	3-8
156-1487-00	A	CR	Motorola	MC14504BCLD	CMOS	3-7
156-1488-00	U	OB	Micro Electronics	6U27A18	Operational Amp	
156-1489-00	U	OB	Micro Electronics	6U27A19	Operational Amp	
156-1490-00	A	CR	Intersil Maxim Integrated Products	ICL8069CCSQ ICL8069CCSQ2	Linear	8-7
156-1492-00	A	CR	Analog Devices	AD542JH	Operational Amp	8-11
156-1492-01	A	CR	Analog Devices	AD40764	Operational Amp	8-11
156-1493-00	U	NP		DAC20EQ	Linear	
156-1494-00	A	CR	American Micro Systems Motorola	S68B09D/E MC68B09S/L	Multifunction	1-3
156-1494-01	A	CR	American Micro Devices Motorola	68B09D/E MC68B09S/L	Multifunction	1-3
156-1495-00	A	CR	Fairchild Motorola Signetics	F10162DC MC10162L 10162F	ECL	4-3
156-1495-01	U	SC				
156-1496-00	A	CR	Fairchild Signetics	F100155FC 100155Y	ECL	4-3
156-1496-01	U	CS		100155		
156-1497-00	A	CR	Fairchild Signetics	F100150FC 100150D	ECL	4-8
156-1498-00	A	DL	Fairchild Signetics	F100117FC 100117D	ECL	4-7
156-1499-00	A	CR	Fairchild Signetics	F100112FC 100112Y	ECL	4-7
156-1499-01	U	CR	Fairchild Signetics	F100112DC 100112F	ECL	4-7
156-1500-00	A	CR	Fairchild Signetics	F100107FC 100107Y	ECL	4-7
156-1500-01	U	CS		100107	ECL	
156-1501-00	A	CR	Fairchild Signetics	F100151FC 100151Y	ECL	4-5
156-1501-01	U	CS		100151		
156-1502-00	A	CR	Fairchild Signetics	F100171FC 100171Y	ECL	4-3
156-1503-00	A	CR	Hybrid Systems Micro Power Precision	REF01 MPREF01E REF01EJ	Linear	8-7
156-1504-00	A	DL	Fairchild Signetics	F100170FC 100170Y	ECL	4-3
156-1505-00	A	CR	Fairchild Signetics	F100166DC 100166F	ECL	4-2
156-1506-00	A	CR	Fairchild Signetics	F100160DC 100160F	ECL	4-7
156-1507-00	A	CR	Fairchild	F100180FC	ECL	4-2
156-1508-00	A	CR	Fairchild	F100180DC	ECL	4-2
156-1509-00	A	CR	Fairchild Signetics	F100171DC 100171F	ECL	4-3
156-1510-00	A	CR	Fairchild Signetics	F100155DC 100155F	ECL	4-3

^a For ND Codes (New Design Recommendations) and Status Codes, see tab marked CODES in the back of this catalog.

TEK PART NUMBER TO VENDOR NUMBER (cont)

Part Number	Codes ^a		Vendor	Vendor No.	Type	Page
	ND	ST				
156-1511-00	A	CR	Fairchild Signetics	F100141DC 100141F	ECL	4-9
156-1512-00	A	CR	Fairchild Signetics	F100151DC 100151F	ECL	4-5
156-1513-00	A	CR	Fairchild Signetics	F100145FC 100145Y	ECL	4-9
156-1514-00	A	CR	Fairchild Signetics	F100145DC HXA100145D	ECL	4-9
156-1515-00	A	CR	Fairchild Signetics	F100122FC 100122Y	ECL	4-2
156-1515-01	U	CS		100122	ECL	
156-1516-00	A	CR	Fairchild Signetics	F100122DC 100122F	ECL	4-2
156-1517-00	A	CR	Fairchild Signetics	F100136DC 100136F	ECL	4-3 & 9
156-1518-00	A	CR	Fairchild Signetics	F100107DC 100107F	ECL	4-7
156-1519-00	A	CR	Fairchild Signetics	F100102DC 100102F	ECL	4-7
156-1520-00	A	CR	Fairchild Signetics	F100101DC 100101F	ECL	4-7
156-1521-00	A	CR	Fairchild Texas Instruments	74LS352PCQR/DCQR SN74LS352NP3/JP4	TTL	6-7
156-1523-00	A	CS	Fairchild Motorola National Semiconductor Signetics Texas Instruments	75110APC/DC MC75110P/L DS75110N/J 100136F SN75110AN/J	TTL	6-11
156-1524-00	N	DL		74S225J	TTL	
156-1525-00	A	CR	Advanced Micro Devices Zilog	AMZ8001ADC Z8001ADS	Multifunction	1-4
156-1526-00	A	CR	Signetics	N82LS181	Memory Selection Guide	2-13
156-1528-00	A	CR	Sprague Elec	UHP-408	TTL	6-10
156-1529-00	A	CR	Motorola	LM317LZ	Linear	8-6
156-1530-00	A	CR	Rockwell	R6531P-098	Multifunction	1-10
156-1531-00	A	CR	Intel	QC/QD8755A	Memory Selection Guide	2-14
156-1532-00	A	OB	Micro Power Precision	5510-CY5004 OP-10-057Y	Operational Amp	8-10
156-1533-00	A	CR	National Semiconductor	ADC0801LDC/A +	Special Function	7-2
156-1534-00	A	CR	Burr-Brown	DAC72/CCD-I	Special Function	7-5
156-1534-01	U	CR		DAC71-CCD-I	Special Function	7-5
156-1535-00	N	CR	Advanced Micro Devices Intel	AM8279-5N/J 8279-5	Multifunction	1-5
156-1537-00	A	OT	Precision	OP-11050Y	Operational Amp	8-10
156-1538-00	A	CR	Fairchild Motorola Signetics	F10171DC MC10171L 10171F	ECL	4-3
156-1539-00	A	CR	Rockwell Synertek West Design	R6522AP SYP6522 W65C22P-2	Multifunction	1-8
156-1541-00	X	NP		AY-5-2376		
156-1542-00	X	DL		74276	TTL	
156-1543-00	A	CS	Precision	REF-02CJ	Linear	8-7
156-1544-00	N	CR	Fairchild	9616EDC	TTL	6-12
156-1546-00	A	CR	Advanced Micro Devices	AM25LS2538P/DCB	TTL	6-9
156-1547-00	A	CR	Fairchild Signetics Texas Instruments	74S258DCQR/PCQR 74S258NB SN74S258NP3	TTL	6-7
156-1548-00	A	CR	Micro Power Teledyne	7621KN 8641CJ	Special Function	7-5

^a For ND Codes (New Design Recommendations) and Status Codes, see tab marked CODES in the back of this catalog.

TEK PART NUMBER TO VENDOR NUMBER (cont)

Part Number	Codes ^a		Vendor	Vendor No.	Type	Page
	ND	ST				
156-1548-01	U	CR	Analog Devices	AD7541AJN	Special Function	7-5
156-1549-00	A	CR	Motorola	MC6840PDS/LDS	Multifunction	1-9
156-1550-01	A	CR	Advanced Micro Devices	AM9513PCTB/DCTB	Multifunction	1-8
156-1550-01		CR	Advanced Micro Devices	AM9513ADC	Multifunction	1-8
156-1551-00	N	LR	Harris Semic	HA3-23080-5/HA7-23080-5	Operational Amp	8-12
			National Semiconductor	95051		
			RCA	90593		
156-1552-00	X	CR	Hitachi	HM4816A-4DG16B	Memory Selection Guide	
			Intel	D2118-4/S7530		
			Motorola	MCM4517P-12		
156-1554-00	A	CR	Fairchild	F100170DC	ECL	4-3
			Signetics	100170F		
156-1555-00	A	CR	Advanced Micro Devices	AM6080PC	Special Function	7-4
156-1556-00	A	CR	Motorola	MC14543BCLDS	CMOS	3-3, 4, & 6
			National Semiconductor	MM14543BCJ/A+		
156-1557-00	A	CR	Fairchild	F100163FC	ECL	4-3
			Signetics	100163Y		
156-1558-00	A	CR	Advanced Micro Devices	AMZ8002ADC	Multifunction	1-4
			Zilog	Z8002A		
156-1559-00	N	CR	Motorola	MCM68764C/L	Memory Selection Guide	2-14
156-1560-00	A	CR	Monolithic Memories	6309-1/J20	Memory Selection Guide	2-12
156-1561-00	A	PP	Fairchild	F100118FC	ECL	4-7
			Signetics	100118D		
156-1563-00	A	CR	Fairchild	F100136FC	ECL	4-3 & 9
			Signetics	100136Y		
156-1563-01	U	CS		100136		
156-1564-00	A	OB	Analog Devices	AD521KD	Operational Amp	8-10
156-1565-00	A	CR	Advanced Micro Devices	AM2940DC	Multifunction	1-6
156-1566-00	N	CR	General Instruments	ER1400	Memory Selection Guide	2-16
			Mitsubishi	M5G1400P		
			Nitron	7400		
156-1568-00	A	CR	RCA	CD40103BFX	CMOS	3-3
156-1570-00	A	CR	Advanced Micro Devices	AM8255APCB/DCB	Multifunction	1-8
			Intel	QP8255A		
156-1570-01	U	CR	Advanced Micro Devices	AM8255A-5P/DCB	Multifunction	1-8
			Intel	QP/QC8255A-5		
156-1571-00	A	CR	National Semiconductor	ADC1211HCD	Special Function	7-2
156-1572-00	A	DL	Fairchild	74S1340CQR	Multifunction	
			Signetics	2653I/N		
156-1573-00	A	CR	National Semiconductor	DM74S134NA+/JA+	TTL	6-17
			Signetics	N74S134NB/FB		
			Texas Instruments	SN74S134NP3/JP4		
156-1574-00	A	CR	Advanced Micro Devices	AM21L48-55DC	Memory Selection Guide	2-10
			Cypress	CY7C48-55		
			Intel	D2148HL-3/S7511		
156-1575-00	A	CR	Mostek	MK4801A	Memory Selection Guide	2-11
156-1576-00	U	SC		8203		
156-1577-00	U	SC		AMZ8127		
156-1578-00	A	LR	Fujitsu ^b	MB7071H	Memory Selection Guide	
156-1579-00	N	CR	Motorola	MC68701L	Multifunction	1-2
156-1579-01	U	DL		6803-1	Multifunction	
156-1579-02	A	CR	Motorola	MC68701L-1	Multifunction	1-2
156-1580-00	A	DL	Intel ^p	D2148HL	Memory Selection Guide	2-10
156-1581-00	A	CR	Fairchild	F100150DC	ECL	4-8
			Signetics	100150F		

^a For ND Codes (New Design Recommendations) and Status Codes, see tab marked CODES in the back of this catalog.

^b Emergency Vendor only.

TEK PART NUMBER TO VENDOR NUMBER (cont)

Part Number	Codes ^a		Vendor	Vendor No.	Type	Page	
	ND	ST					
156-1582-00	A	CR	Linear Technology Precision	OP-07CJ8-R OP07203Z 46252	Operational Amp	8-10	
156-1583-00	U	SC	Texas Instruments Silicon General Unitrode	SN74S124NP3/JP4	Special Function	7-9	
156-1584-00	N	CR		SG10083/3526J	Linear	8-6	
156-1585-00	A	CR		UC3526J	Linear	8-6	
156-1585-01	A	DL	Unitrode Analog Devices Intersil	UC3526N/J	Linear	8-6	
156-1585-02	CR	CR		AD589JH Chip	Linear	8-7	
156-1586-00	A	CR		ICL8069DC Chip TCL8069DC	Linear	8-7	
156-1586-01	U	DL			Linear		
156-1587-00	N	CS	Texas Instruments Precision Precision Advanced Micro Devices ^b Precision	SN75402NP3/JP4	TTL		
156-1588-00	A	CR		OP-20GBC	Operational Amp	8-10	
156-1588-01	U	DL		OP-20GBC	Operational Amp	8-10	
156-1589-00	A	CR		AM6012APC DAC312FR	Special Function	7-5	
156-1590-00	A	CR	TRW	TDS5427/1001J8C	Special Function	7-2	
156-1590-01	A	CS		TCD1001J			
156-1591-00	A	CR		Motorola Fairchild	MCM68B10SD F10123DC	Memory Selection Guide ECL	2-10 4-4
156-1592-00	A	OT		Motorola Signetics	MC10123L 10123F		
156-1593-00	A	CR	Fairchild	SL92104	Special Function	7-11	
156-1593-01	U	CR		SL92104	Special Function	7-11	
156-1594-00	A	CR		Hitachi Motorola Oki Semiconductor	HM6116P-3/DP-24 MCM6116P15 M5128-15RS	Memory Selection Guide	2-11
156-1595-00	A	CR	Datel-Intersil Teledyne Hitachi Advanced Micro Devices National Semiconductor	ADC-EK10B 8701CN	Special Function	7-2	
156-1596-00	A	DL		HN462532-DC-24C	Memory Selection Guide	2-14	
156-1597-00	A	CR		DP8303NB/JB DP8303NA+/JA+	TTL	6-12	
156-1598-00	A	CR	Advanced Micro Devices Fujitsu Intel Texas Instruments Intel	AM2732A-3DC MBM2732A-30C D2732A-3/S6699	Memory Selection Guide	2-14	
156-1598-01	N	CR		TMS2732AJL-3 P2732A-3	Memory Selection Guide	2-9	
156-1599-00	N	CR		Intel	D8202A	Memory Selection Guide	2-2
156-1600-00	A	CR	Hitachi Motorola National Semiconductor Texas Instruments	HD74LS123 SN74LS123N/J DM74LS123NA+/JA+ SN74LS123N3/J4	TTL	6-20	
156-1601-00	A	CR	National Semiconductor Intel Advanced Micro Devices Intel	MM58167AN/D D2816-3	Multifunction Memory Selection Guide	1-8	
156-1602-00	N	NP		AM2764-3DC	Memory Selection Guide	2-14	
156-1603-00	N	CR		D2764-3/S6866			
156-1604-00	A	CS	Fairchild National Semiconductor	UA79M12AHC LM79M12CH	Linear	8-5	
156-1605-00	N	NP	Digital Equipment	DC01019.14038	Multifunction		
156-1605-01	N	CR	Digital Equipment	DC010-KA	Multifunction	1-6	
156-1606-00	A	CR	Advanced Micro Devices Intel	AM9517A-5DC C/D8237A-5	Multifunction	1-6	
156-1607-00	N	CR	Fairchild Motorola RCA Texas Instruments	UR1558RM MC1558U CA1558G MC1558JG	Operational Amp	8-8	
156-1608-00	A	CR	Advanced Micro Devices Intel Advanced Micro Devices Intel Motorola	AM27S181D	Memory Selection Guide	2-13	
156-1609-00	A	CR		D8088PC	Multifunction	1-3	
156-1609-01	A	CR		D8088-2PC D8088-2	Multifunction	1-3	
156-1610-00	N	CR		MCM68766C35	Memory Selection Guide	2-14	

^a For ND Codes (New Design Recommendations) and Status Codes, see tab marked CODES in the back of this catalog.

^b Emergency Vendor only.

TEK PART NUMBER TO VENDOR NUMBER (cont)

Part Number	Codes ^a		Vendor	Vendor No.	Type	Page
	ND	ST				
156-1611-00	A	CR	Fairchild ^b Motorola Signetics	74F74PC/DC MC74F74ND/JD N74F74N/F	TTL	6-13
156-1612-00	A	CR	Mostek Zilog	MK3881N-4/P-4MKX Z80A-PIO	Multifunction	1-8
156-1613-00	N	CR	Advanced Micro Devices Hitachi Intel	AM21L47-55DC HM6147G-3 D2147HL-3	Memory Selection Guide	2-11
156-1614-00	N	CR	Intel	D2114AL-3	Memory Selection Guide	2-10
156-1615-00	A	CR	Cypress INMOS ^b Motorola NEC America Proto Spec	CY7C167-55PC IMS1400-55 MCM2167HP-35 UPD4311C45 MCM2167H-35	Memory Selection Guide	2-11
156-1615-01	A	CR	Cypress Hitachi INMOS Proto Spec	CY7C167-35PC HM6267P-35 IMS1400-P35 MCM2167H-35	Memory Selection Guide	2-11
156-1616-00	N	CR	Fairchild Motorola	HL78937 74F04	TTL	6-3
156-1617-00	A	CR	Texas Instruments	SN74AS804N/J	TTL	6-11
156-1618-00	A	CR	Advanced Micro Devices	AM2908DCB/PCB	TTL	6-10
156-1619-00	A	CR	Fairchild Motorola National Semiconductor Signetics	74LS126PCQR/DCQR SN74LS126NDS/JDS DM74LS126NA+/JA+ N74LS126NB/FB	TTL	6-3
156-1620-00	A	CR	Mostek Zilog	MK3882N-4P-4MKX Z80ACTC	Multifunction	1-9
156-1621-00	A	CR	Intersil	ICM7218AIJI	CMOS	3-3
156-1622-00	A	CR	Intersil	ICM7218BIPI	CMOS	3-3
156-1623-00	A	CR	Analog Devices	AD41201	Special Function	7-4
156-1624-00	N	CR	Digital Equipment	KEF11-A	Memory Selection Guide	1-6
156-1625-00	A	CR	Intel	D2732A	Memory Selection Guide	2-14
156-1625-01	A	CR	Intel	D2732A	Memory Selection Guide	2-14
156-1625-02	U	CR	Advanced Micro Devices Intel	AM2732A-2 D2732A	Memory Selection Guide	2-14
156-1626-00	A	CR	Hitachi Mitsubishi Motorola NEC America Oki Semiconductor	HM4864-3DCL 4164ANP-20 MCM6665BL-20 UPD4164C-2 MSM3764RS-20	Memory Selection Guide	2-2
156-1627-00	A	CR	Fairchild Fujitsu Motorola Texas Instruments Unitrode	UA494PC MB3759 TL494CN TL594CN UC494AN	Linear	8-6
156-1628-00	A	CR	Monolithic Memories	63S141J/D	Memory Selection Guide	2-12
156-1629-00	A	CR	National Semiconductor Signetics Texas Instruments	DM74S113NA+/JA+ N74S113NB/FB SN74S113NP3/JP4	TTL	6-13
156-1630-00	A	CS	Intel	D2764-4	Memory Selection Guide	2-14
156-1631-00	A	CR	Fairchild Texas Instruments	UA431WC TL431C-LP	Linear	8-6
156-1632-00	A	CR	Hitachi Motorola Oki Semiconductor Toshiba	HM6116LP-4 MCM61L16P20 M5128-15RS TC5516AP	Memory Selection Guide	2-11

^a For ND Codes (New Design Recommendations) and Status Codes, see tab marked CODES in the back of this catalog.

^b Emergency Vendor only.

TEK PART NUMBER TO VENDOR NUMBER (cont)

Part Number	Codes ^a		Vendor	Vendor No.	Type	Page
	ND	ST				
156-1633-00	A	CR	Advanced Micro Devices	AM27S03ADCB	Memory Selection Guide	2-8
156-1634-00	A	CR	Advanced Micro Devices	AM25S09DCB	TTL	6-21
156-1635-00	N	CR	Fairchild Fujitsu Hitachi National Semiconductor	74F399PCQR/DCQR MBM10422A-7Z/C HM10422 DM10422A	Memory Selection Guide	2-7
156-1636-00	A	CR	Texas Instruments	SBP9989CJ-1	Multifunction	1-4
156-1637-00	U	CR	Monolithic Memories National	PAL16R6A-2CN/CJ PAL16R6N/J	TTL	6-19
156-1637-01	A	CR	Monolithic Memories	PAL16R6ACN/CJ	TTL	6-19
156-1638-00	U	CR	Precision	DAC10GX	Special Function	7-4
156-1639-00	U	CR	Motorola	MC10H131L/P	ECL	4-5
156-1639-01	U	CR	Motorola	MC10H131LD/PD	ECL	4-5
156-1640-00	U	CR	Motorola	MC10H116L/P	ECL	4-8
156-1640-01	U	CR	Motorola	MC10H116LD/PD	ECL	4-8
156-1641-00	U	CR	Motorola	MC10H102L/P	ECL	4-6
156-1641-01	U	CR	Motorola	MC10H102LD/PD	ECL	4-6
156-1642-00	U	CR	Motorola	MC10H105L/P	ECL	4-6
156-1642-01	U	CR	Motorola	MC10H105LD/PD	ECL	4-6
156-1643-00	A	CR	Intel	C/D8087-3	Multifunction	1-6
156-1643-01	A	EN	Intel	8087-2	Multifunction	1-6
157-1644-00	A	CR	Motorola National Semiconductor	LM11CLH LM11CLH	Operational Amp	8-10
156-1645-00	N	CR	Fairchild	96S02PCQR/DCQR	TTL	6-20
156-1646-00	A	CR	Mitel	MD74HCT374AC	CMOS	3-4
156-1647-00	U	CR	Motorola National Semiconductor	MC3431P DS3651N	Special Function	7-8
156-1648-00		DL	Fairchild Motorola	F10121PC/DC MC10121L/P	ECL	
156-1649-00	U	CR	Exar Sprague	XR6118 UDN-6118A	TTL	6-10
156-1650-00	U	CR	Fairchild Motorola	11C01FC SC63501F	ECL	4-6
156-1650-01		CS		11C01	ECL	
156-1650-02		DL		11C01	ECL	
156-1651-00	N	CR	Advanced Micro Devices	AM2732-1DC	Memory Selection Guide	2-14
156-1652-00	A	CR	Advanced Micro Devices Intel Fujitsu	AM2764DC D2764 MBM2764-25	Memory Selection Guide	2-14
156-1653-00	A	DL	Sanyo	STK457	Operational Amp	8-12
156-1654-00	A	CR	XICOR	X2201A-30	Memory Selection Guide	2-3
156-1655-00	U	CR	Intersil	ICM7226BIPL	CMOS	3-3
156-1656-00	U	CS	Intel NEC America	C/D8274 7201D/C	Multifunction	1-9
156-1657-00	X	CS	Motorola	MC10194PD/LD	ECL	4-9
156-1658-00	A	CR	Monolithic Memories National Semiconductor	PAL16R8A-2CN/CJ PAL16R8A-2N/J	TTL	6-19
156-1658-01		CR	Monolithic Memories National Semiconductor	PAL16R8ACN/CJ PAL16R8ANC/JC	TTL	6-19
156-1659-00	A	CR	Monolithic Memories National Semiconductor	PAL16R4A-2CJ/CN PAL16R4A-5N/J	TTL	6-19
156-1660-00	A	CR	Motorola	MC68121L	Multifunction	1-10
156-1661-00	U	CR	Texas Instruments	SN74LS646NTP3	TTL	6-11
156-1662-00	U	CR	Fairchild Motorola Signetics	74F153PCQR/DCQR MC74F153ND/JD 74F153NB/FB	TTL	6-7
156-1663-00	U	CR	Fairchild Motorola Signetics	74F11PCQR/DCQR MC74F11ND/JD 74F11NB/FB	TTL	6-15
156-1664-00	U	CR	Texas Instruments	SN74ALS574NP3/JP4	TTL	6-14
156-1665-00		DL		MSA-2834		

^a For ND Codes (New Design Recommendations) and Status Codes, see tab marked CODES in the back of this catalog.

TEK PART NUMBER TO VENDOR NUMBER (cont)

Part Number	Codes ^a		Vendor	Vendor No.	Type	Page
	ND	ST				
156-1666-00	N	DL	Fairchild	96LS488DC	Multifunction	1-11
156-1667-00	N	CR	Motorola	MC10H164LD/PD	ECL	4-3
156-1668-00	X	DL	Motorola	MC10H101LD/PD	ECL	4-6
156-1669-00	A	CR	Monolithic Memories National Semiconductor	PAL14L4CN/CJ PAL14L4NJ	TTL	6-19
156-1670-00	A	DL	Fairchild Hitachi	F100125DC HD100125C	ECL	4-9 & 6-23
156-1671-00	A	DL	Fairchild Hitachi ^b	F100124DC HD100124	ECL	4-9 & 6-23
156-1672-00	A	CR	Advanced Micro Devices	AMD27S291DC	Memory Selection Guide	2-12
156-1673-00	A	CR	Motorola	MCM10149L25	Memory Selection Guide	2-12
156-1674-00	A	CR	Motorola	MC10H104LD/PD	ECL	4-6
156-1675-00	A	CR	Advanced Micro Devices	AMD27S191ADC	Memory Selection Guide	2-13
156-1676-00	A	CR	Motorola	MC10H107LD/PD	ECL	4-6
156-1677-00	A	CR	Monolithic Memories National Semiconductor	PAL12L6CJ/CN PAL12L6NC/NJ	TTL	6-19
156-1678-00	A	CR	Fairchild Hitachi	F100165DC HD100165C	ECL	4-4
156-1679-00	N	CR	Fujitsu Hitachi ^b	MBM10474-15Z HM10474-1	Memory Selection Guide	2-7
156-1679-01	A	PP	NEC America National Semiconductor	UPD10474D-10 DM10474-AJ	Memory Selection Guide	2-7
156-1680-00	U	CR	Fairchild National Semiconductor Texas Instruments	74S15PCQR/DCQR DM74S15NA+ /JA+ SN74S15NP3/JP3	TTL	6-15
156-1681-00	U	CR	Advanced Micro Devices National Texas Instruments	AM26LS31DCB DS26LS31JA+ AM26LS31JP4	TTL	6-10
156-1682-00	U	CR	Motorola	MC10H109LD/PD	ECL	4-6
156-1683-00	A	CR	Hitachi Motorola	HD6803P-1 MC6803-G1/L1	Multifunction	1-2
156-1684-00	A	CR	Intel	CI/D18031	Multifunction	1-2
156-1684-01		CR	Intel	P8031AH	Multifunction	1-2
156-1685-00	N	CR	Hitachi	HM2112-1	Memory Selection Guide	2-7
156-1686-00	N	CR	Motorola	MCM68766-C35/MCM68764-C35	Memory Selection Guide	2-14
156-1687-00	A	CR	Advanced Micro Devices	AMD27S191DC	Memory Selection Guide	2-13
156-1688-00	U	PP	National Semiconductor Texas Instruments	LF412ACN TL287CP	Operational Amp	8-11
156-1690-00	A	CR	Advanced Micro Devices Intel Texas Instruments	2147-45DC D2147H-2/S7578 TM32147H-4	Memory Selection Guide	2-11
156-1691-00	U	CR	Texas Instruments	SN74ALS564NP4/JP4	TTL	6-14
156-1692-00	A	CR	Texas Instruments	TIM9904ANL	Multifunction	1-5
156-1693-00	A	CR	SGS Semiconductor Sprague	TDA1170 ULN2270Q	Linear	8-3
156-1693-01	A	DL	SGS Semiconductor	TDA1170SH	Linear	
156-1693-02		CR	Sprague	ULN2270W	Linear	8-3
156-1693-03		CR	SGS Semiconductor	TDA11705	Linear	8-3
156-1694-00	A	CR	Hitachi Inmos	HM6168HP-55 IMS140S-65	Memory Selection Guide	2-11
156-1694-01	A	CR	Motorola Cypress Hitachi Inmos Motorola	MCM6168P-55 CY7C168-45PC HM6168HP-45 IMS1420-45 MCM6168P-45PC	Memory Selection Guide	2-9
156-1694-02		CR	Cypress	CY7C168-25PC	Memory Selection Guide	
156-1695-00	A	CR	Advanced Micro Devices Cypress Intel	AM2149-45DC CY2149-45PC/DC DP2149H-2/S7570	Memory Selection Guide	2-9
156-1695-01	A	CR	Cypress	CY7C149-35PC	Memory Selection Guide	2-9

^a For ND Codes (New Design Recommendations) and Status Codes, see tab marked CODES in the back of this catalog.

^b Emergency Vendor only.

TEK PART NUMBER TO VENDOR NUMBER (cont)

Part Number	Codes ^a		Vendor	Vendor No.	Type	Page
	ND	ST				
156-1696-00	N	CR	Fujitsu	MBM27128-30	Memory Selection Guide	2-15
156-1697-00	N	CR	Intel	D27128-3	Memory Selection Guide	2-2
156-1698-00	U	CR	Motorola	D8203-3	ECL	4-8
156-1699-00	A	CR	National Semiconductor Texas Instruments	MC10H116 LF412CN TL288CP	Operational Amp	8-11
156-1700-00	N	CR	Fairchild Motorola	F10402PC/DC MC10H145P/L	Memory Selection Guide	2-7
156-1700-01	U	CR	Motorola	MC10H145P/L	Memory Selection Guide	2-7
156-1702-00	U	CR	Advanced Micro Devices	AM29821DCB	TTL	6-21
156-1703-00	U	CR	Texas Instruments	74AS881NP3/JP4	TTL	6-2 & 17
156-1704-00	A	CR	Fairchild Signetics	74F374PCQR/DCQR 74F374NB/FB	TTL	6-14
156-1704-01	A	CR	Signetics	74F374NB/FB	TTL	6-14
156-1705-00	U	CR	Fairchild	74F283PCQR/DCQR	TTL	6-2
156-1706-00	N	CR	Toshiba	TC5516APL	Memory Selection Guide	2-9
156-1707-00	U	CR	Fairchild Motorola	74F00PCQR/DCQR MC7400ND/JD	TTL	6-14
156-1708-00	N	CR	Texas Instruments	SN74273NP3/JP4	TTL	6-13
156-1709-00	A	CR	Motorola	MC1350P	Linear	8-3
156-1710-00	A	CR	Motorola	MC10H117PD/LD	ECL	4-6
156-1711-00	A	PP	Motorola	MC10H210PD/LD	ECL	4-7
156-1712-00	A	CR	Motorola	MC10H176PD/LD	ECL	4-5
156-1713-00	A	CR	Motorola	MC10198P/L	ECL	4-9
156-1714-00	P	CR	Fairchild	74F191PCQR/DCQR	TTL	6-6
156-1715-00		SC		UPB3Z198R		
156-1716-00		SC		UPB3Z199R		
156-1717-00	A	CR	LSI	RDD104	CMOS	3-3
156-1718-00	A	CR	Motorola	MC145155P	Special Function	7-9
156-1719-00	A	CR	Linear Technology National Semiconductor	LM10CN LM10CN	Operational Amp	8-12
156-1720-00	A	CR	Motorola	MC68B09ES/L	Multifunction	1-3
156-1721-00	U	CR	Fairchild Motorola	74F373PCQR/DCQR MC74F245ND/JD	TTL	6-18
156-1722-00	P	CR	Signetics Fairchild Motorola Signetics	74F373NB/FB 74F04PCQR/DCQR MC74F04ND/JD N74F04NB/FB	TTL	6-3
156-1723-00	U	CR	Fairchild Motorola Signetics	74F08PCQR/DCQR MC74F08ND/JD 74F08NB/FB	TTL	6-15
156-1724-00	U	CR	Fairchild Motorola Signetics	74F32PCQR/DCQR 74F32ND/JD 74F32NB/FB	TTL	6-16
156-1725-00	U	CR	Fairchild Motorola Signetics	74F245PCQR/DCQR MC74F245ND/JD 74F245NB/FB	TTL	6-4 & 10
156-1726-00	U	CR	Fairchild Motorola Signetics	74F139PCQR/DCQR MC74F139ND/JD 74F139NB/FB	TTL	6-9
156-1727-00	U	CR	Fairchild Motorola Signetics	74F138PCQR/DCQR MC74F138ND/JD 74F138NB/FB	TTL	6-7 & 9
156-1728-00		DL		10014	ECL	
156-1729-00	U	CR	Advanced Micro Devices	AM25LS2520PCB/DCB	TTL	6-14
156-1730-00	N	CR	Advanced Micro Devices	AM8155JB	Memory Selection Guide	2-10
156-1731-00		CR	Intel	QC/QD8155H		
156-1731-00		CR	Digital	DC00519-13040	TTL	6-10
156-1732-00	U	CR	Monolithic Memories	SN74LS461NSHRP/ JSHRP	TTL	6-6

^a For ND Codes (New Design Recommendations) and Status Codes, see tab marked CODES in the back of this catalog.

TEK PART NUMBER TO VENDOR NUMBER (cont)

Part Number	Codes ^a		Vendor	Vendor No.	Type	Page
	ND	ST				
156-1733-00	A	CR	Motorola	MC10H101PD/LD	ECL	4-6
156-1734-00	N	CR	Intel	D2186-30	Memory Selection Guide	2-4
156-1735-00	A	CR	Intel	D2817-4	Memory Selection Guide	2-16
156-1736-00	A		Advanced Micro Devices	AM29824DC	Multifunction	1-11 & 6-21
156-1737-00	A	CR	Signetics	SCN2681AC1N40/I40	Multifunction	1-9
156-1738-00	A	CR	Advanced Micro Devices	AM2953ADC	Multifunction	1-8
156-1739-00	X	DL	Plessey	8647	ECL	4-4
156-1740-00	U	CR	Advanced Micro Devices	AM2966DCB	Multifunction	1-6
156-1741-00	U	CR	Analog Devices	AD542LH	Operational Amp	8-11
156-1741-01	U	CR		AD542LH	Operational Amp	8-11
156-1742-00	A	CR	Motorola	MC145146L	Special Function	7-9
156-1743-00	U	CR	Fairchild	74F02PCQR/DCQR	TTL	6-15
			Motorola	MC74F02ND/JD		
			Signetics	74F02NB/FB		
156-1744-00	U	CR	Fairchild	74F240PCQR/DCQR	TTL	6-4 & 10
			Motorola	MC74F240		
			Signetics	74F240NB/FB		
156-1745-00	U	CR	Fairchild ^b	74F241PCQR/DCQR	TTL	6-4 & 10
			Motorola	MC74F241ND/JD		
			Signetics	74F241NB/FB		
156-1746-00	U	CR	Fairchild	74F151PCQR/DCQR	TTL	6-7
			Motorola	MC74F151ND/JD		
			Signetics	74F1S1NB/FB		
156-1747-00	N	CS	Advanced Micro Devices	AM26S10PCB/DCB	TTL	6-10
156-1748-00	U	CR	Texas Instruments	74ALS1245N3/J4	TTL	6-4 & 10
156-1748-01	U	CR	Texas Instruments	74ALS245-1N3/J4	TTL	6-4 & 10
156-1748-02	P	CR	Motorola	MC74ALS245N/J	TTL	6-4 & 5
			Texas Instruments	SN74ALS245AN		
156-1749-00	A	CR	Advanced Micro Devices	AM2964BDCB	Memory Selection Guide	2-2
156-1750-00	A	DL	Motorola	MC74HC160NDS	CMOS	3-3
			National Semiconductor	MM74HC160NA +		
156-1751-00	U	CR	Fairchild	74F64PCQR/DCQR	TTL	6-16
			Motorola	74F64NDS/JDS		
			Signetics	74F64NB/JB		
156-1752-00	U	CR	Fairchild	74F10PCQR/DCQR	TTL	6-15
			Motorola	74F10NDS/JDS		
			Signetics	74F10NB/FB		
156-1753-00	U	CR	Motorola	74ALS240NDS/JDS	TTL	6-4 & 10
			National Semiconductor	DM74ALS240N		
			Texas Instruments	74ALS240NP3/JP4		
156-1753-01	U	CR	Texas Instruments	74ALS240-1N3/J4	TTL	6-4 & 10
156-1754-00	U	CR	Texas Instruments	74ALS1244N3/J4	TTL	6-4 & 11
156-1754-01	P	CR	Texas Instruments	SN74ALS244AN	TTL	6-10
156-1754-02	P	CR	National Semiconductor	DM74ALS244-1NA	TTL	6-4 & 10
			Texas Instruments	SN74ALS244A-1N3		
156-1755-00	U	CR	Motorola	SN74ALS109	TTL	6-13
			Texas Instruments	SN74ALS109N/J		
156-1756-00	U	CR	National Semiconductor	DM74ALS74N/J	TTL	6-13
			Texas Instruments	SN74ALS74N/J		
156-1757-00	P	CR	Motorola	SN74ALS569ND/JD	TTL	6-6
			Texas Instruments	SN74ALS569NP3/JP4		
156-1758-00	U	CR	Texas Instruments	SN74ALS112ANP3/JP4	TTL	6-13
156-1759-00	U	CR	National Semiconductor	DM74ALS133NA + JJA +	TTL	6-17
			Texas Instruments	SN74ALS133NP3/JP4		
156-1760-00	A	CR	SGS Semiconductor	TDA2030H	Operational Amp	8-12
156-1760-02	PP		SGS Semiconductor	TDA2030AV	Operational Amp	8-12

^a For ND Codes (New Design Recommendations) and Status Codes, see tab marked CODES in the back of this catalog.

^b Emergency Vendor only.

TEK PART NUMBER TO VENDOR NUMBER (cont)

Part Number	Codes ^a		Vendor	Vendor No.	Type	Page
	ND	ST				
156-1761-00	A	CR	Monolithic Memories	74LS450NSHRP/JSHRP	TTL	6-8
156-1762-00	A	CR	Motorola	MC74HC161ND	CMOS	3-3
			National Semiconductor	MM74HC161NA +		
			Toshiba	TC74HC161P		
156-1763-00	A	CR	SMC Semiconductor	T9007CDBI	Multifunction	1-5
			Stantel	STC9007D-B		
156-1764-00	U	SC		TC40H20P	TTL	
156-1765-00	U	SC		TC40H244P	CMOS	
156-1766-00	U	SC		TC40H000P	CMOS	
156-1767-00	U	SC		TC40H245P	CMOS	
156-1768-00	U	SC		TC40H174P	CMOS	
156-1769-00	U	SC		SP9687DC	Linear	
156-1770-00		SC		TC40H273P	CMOS	
156-1771-00		SC		M5218L	Operational Amp	
156-1772-00		SC		LF355H	Operational Amp	
156-1773-00		NP		HM10422	ECL	
156-1774-00		SC		HD4007A	CMOS	
156-1775-00		NP		MBM10422C-G	ECL	
156-1776-00		SC		MB62110	CMOS	
156-1777-00		SC		MBM2764-25Z-G	NMOS	
156-1778-00		SC		UPC393C	Linear	
156-1779-00		SC		UPC1031H2	Linear	
156-1780-00		SC		UPD2332	NMOS	
156-1781-00		SC		UPD446D-2	TTL	
156-1782-00		SC		UPD23128	NMOS	
156-1783-00		SC		UPC393C	Linear	
156-1784-00		SC		UPC319C	Linear	
156-1785-00	A	CR	Rockwell	R6545EAP	Multifunction	1-5
			Synertek	SYP6845EA		
156-1785-01		EN	Rockwell	R6545EAP	Multifunction	1-5
156-1786-00	A	CR	Hitachi	HM4334P-3	Memory Selection Guide	2-9
156-1787-00	A	CR	Motorola	MC14082BCLD	CMOS	3-5
			RCA	CD4082BFX		
156-1788-00	A	CR	National Semiconductor	LF13509N	Special Function	7-7
			Precision	MUX24-030P		
156-1789-00	A	PP	National Semiconductor	LF398AH	Special Function	7-10
156-1790-00	A	CR	Motorola	LM211H	Special Function	7-8
			National Semiconductor	LM211H		
			Silicon General	SG211T		
156-1791-00	A	CR	Linear Technology	LF198H/LF298H	Special Function	7-10
			National Semiconductor	LF298H		
156-1792-00	A	CR	Advanced Micro Devices	AM25L04PC/DC	TTL	6-22
156-1793-00	N	DL	Advanced Micro Devices	AMZ8038DC	Multifunction	1-10
			Zilog	Z8038DS/CS		
156-1794-00	A	CR	Motorola	MC10H121PD/LD	ECL	4-9
156-1795-00	A	CR	Motorola	MC10H174	ECL	4-3
156-1796-00	A	CR	Motorola	MD10159PD/LD	ECL	4-3
156-1797-00	A	DL		100112F	ECL	
156-1798-00	X	CR	Hitachi	HM4816AP-7	Memory Selection Guide	
			Motorola	MCM4517P15		
156-1799-00	A	CR	Signetics	SE5561N	Linear	8-6
			Sprague	ULN8161M		
156-1800-00	U	CR	Fairchild	74F86PCQR/DCQR	TTL	6-16
			Motorola	MC74F86ND/JD		
			Signetics	N74F86NB/JB		
156-1801-00	A	CR	Monolithic Memories	PAL10L8CJ/N	TTL	6-19
156-1802-00	A	CR	Monolithic Memories	PAL12L10CJ/CN	TTL	6-19

^a For ND Codes (New Design Recommendations) and Status Codes, see tab marked CODES in the back of this catalog.

TEK PART NUMBER TO VENDOR NUMBER (cont)

Part Number	Codes ^a		Vendor	Vendor No.	Type	Page
	ND	ST				
156-1803-00	P	CR	Monolithic Memories National Semiconductor	PAL20L8ACN/CJ PAL20L8ANC/JC	TTL	6-19
156-1803-01	A	CR	Monolithic Memories National Semiconductor	PAL20L8ACJ PAL20L8AJC	TTL	6-19
156-1804-00	A	CR	Monolithic Memories	PAL20X10CN/CJ	TTL	6-20
156-1804-01		DL		PAL20X10N		
156-1805-00	P	CR	Monolithic Memories National Semiconductor	PAL20R8ACN/CJ PAL20R8ANC/JC	TTL	6-19
156-1805-01		DL		PAL20R8AN		
156-1806-00	P	CR	Monolithic Memories National Semiconductor	PAL20R4ACN/CJ PAL20R4ANC/JC	TTL	6-19
156-1807-00	U	DL		HAL16L2CJ/N	TTL	
156-1808-00	A	CR	Monolithic Memories	PAL16L2CJ/N	TTL	6-19
156-1809-00	P	CR	Monolithic Memories National Semiconductor	PAL16L8A-2CJ/CN PAL16L8A-2JN/JC	TTL	6-19
156-1809-01	P	CR	Monolithic Memories National Semiconductor	PAL16L8ACN/CJ PAL16L8ANC/JC	TTL	6-19
156-1809-02		CR	Monolithic Memories	PAL16L8A-4CN/CJ	TTL	6-19
156-1809-03		EN	Monolithic Memories	PAL16L8DCN	TTL	6-19
156-1811-00	A	CR	Hybrid Systems	HS3120C-2	Special Function	7-5
156-1812-00	A	CR	Motorola	MC1400G6	Linear	8-7
156-1813-00	X	PP	Elec Design	EDH4528-20	Memory Selection Guide	
156-1814-00	A	CR	Advanced Micro Devices	AM27S19DC	Memory Selection Guide	2-12
156-1814-01		DL		AM27S19		
156-1814-02		DL		AM27S19		
156-1815-00		SC		AD7528	Special Function	
156-1816-00		SC		UPC4359C		
156-1817-00		SC		TC5565PL-1	CMOS	
156-1818-00		SC		TC40H393P	CMOS	
156-1819-00		SC		TC40H368P	CMOS	
156-1820-00		SC		TC40H367P	CMOS	
156-1821-00		SC		TC40H365P	CMOS	
156-1822-00		SC		TC40H259P	CMOS	
156-1823-00		SC		TC40H175P	CMOS	
156-1824-00		SC		TC40H157P	CMOS	
156-1825-00		SC		TC40H153P	CMOS	
156-1826-00		SC		TC40H139P	CMOS	
156-1827-00		SC		TC40H138P	CMOS	
156-1828-00		SC		TC40H074P	CMOS	
156-1829-00		SC		TC40H032P	CMOS	
156-1830-00		SC		TC40H011P	CMOS	
156-1831-00		SC		TC40H002P	CMOS	
156-1832-00	A	CR	National Semiconductor Texas Instruments	DM74ALS10NA + SN74ALS10N3/J4	TTL	6-15
156-1832-01	A	CR	National Semiconductor Texas Instruments	74ALS10NA + SN74ALS10AN	TTL	6-15
156-1833-00		SC		STC7	Linear	
156-1834-00		SC		STU004	Linear	
156-1835-00		SC		STU003	Linear	
156-1836-00		SC		STU002	Linear	
156-1837-00		SC		M54533	Linear	
156-1838-00	A	CR	Analog Devices Burr-Brown	AD545KH OPA103BM	Operational Amp	8-11
156-1838-01	A	CR		AD545KH	Operational Amp	8-11
156-1839-00	A	CR	Advanced Micro Devices	AM2952A-DCB	Multifunction	1-8
156-1840-00	A	CR	Advanced Micro Devices	AM29827DCB	TTL	6-3
156-1840-01		EN	Advanced Micro Devices	29827A	TTL	6-3
156-1841-00	A	CR	Advanced Micro Devices Intel	R80186 R80186	Multifunction	1-4

^a For ND Codes (New Design Recommendations) and Status Codes, see tab marked CODES in the back of this catalog.

TEK PART NUMBER TO VENDOR NUMBER (cont)

Part Number	Codes ^a		Vendor	Vendor No.	Type	Page
	ND	ST				
156-1841-01	A	CR	Intel	C80186	Multifunction	1-4
156-1841-02		EN	Advanced Micro Devices	A80186	Multifunction	1-4
156-1842-00		CR	Intel	A80186		
156-1843-00	A	CR	Hitachi	HM6264P-15	Memory Selection Guide	2-9
			Precision	OP-14EP	Operational Amp	8-10
156-1844-00				MDLDM-TTL-125	TTL	
156-1845-00	A	CR	Fujitsu	MBM100422FPT/-24C-F02	Memory Selection Guide	2-7
			Hitachi	HM100422F FG24		
156-1846-00		SC		MB3752	Linear	
156-1847-00		SC		MB4204	Operational Amp	
156-1848-00		SC		MB3759	Linear	
156-1849-00		CR	Motorola	MC10H103PDS/LDS	ECL	4-6
156-1850-00		CR	Siliconix	SDG21107	Special Function	7-7
156-1851-00	A	CR	Linear Technology	OP27GJ8/R	Operational Amp	8-10
			Precision	OP-27BIGZ		
156-1852-00	A	CR	Motorola	MC74HCU04P	CMOS	3-2
			National Semiconductor	MM74HCU04N		
156-1853-00	A	CR	Intel	QP/QD8254-2	Multifunction	1-9
156-1854-00	U	CR	Analog Devices	CLX840333-000	Special Function	7-4
			Plessey	156-1854		
156-1855-00		CR	Advanced Micro Devices	AM29841DC	TTL	6-18
156-1856-00	P	CR	Texas Instruments	SN74ALS299N3/J4	TTL	6-22
156-1857-00	A	CR	Advanced Micro Devices	AM2927DCB	Multifunction	1-10
156-1858-00	P	CR	National Semiconductor	DM74ALS573NA+/JA+	TTL	6-18
			Texas Instruments	SN74ALS573BNJ		
156-1859-00	A	CR	Mitsubishi	M5M4416P-15	Memory Selection Guide	2-2
			NEC America	UPD41416C-15		
156-1859-01		CR	Texas Instruments	TMS4416-15	Memory Selection Guide	
156-1861-00	A	CR	Mitsubishi	M5M44-16P-15	Memory Selection Guide	
			Motorola	SN74LS623ND/JD	TTL	6-11
			Texas Instruments	SN74LS623NP3/JP4		
156-1862-00		CR	Motorola	MC12015PD/LD	ECL	4-9
156-1863-00		PP	Precision	OP-05EZ	Operational Amp	8-10
156-1863-01		CR	Micro Power	MPOP05EZ	Operational Amp	8-10
			Precision	OP-05BIEZ		
156-1864-00		CR	Hybrid Systems	DAC9331-16-6	Special Function	7-5
156-1865-00	A	CR	Advanced Micro Devices	AM25LS2517N3/JB	TTL	6-2 & 17
			Texas Instruments	SN74LS382N/J		
156-1866-00	A	CR	Advanced Micro Devices	AM25LS14DCB	TTL	6-2
156-1867-00	A	CR	Texas Instruments	SN74LS224N	Memory Selection Guide	2-3
156-1868-00	A	CR	Advanced Micro Devices	AM25LS2519PCB/DCB	TTL	6-14
156-1869-00	A	CR	Advanced Micro Devices	AM2965DCB	Multifunction	1-6
156-1870-00	A	CR	Advanced Micro Devices	AM25LS2537NB/JB	TTL	6-9
156-1871-00	A	CR	Fairchild ^b	74F533	TTL	6-18
			Motorola	74F533		
			Signetics	74F533		
156-1872-00		DL		4275B		
156-1873-00		NP				
156-1874-00	N	CR	Motorola	MC10H141L/P	ECL	4-9
156-1875-00	U	CR	Advanced Micro Devices	P82284	Multifunction	1-5
			Intel	82284		
156-1875-01	A	CR	Intel	D82284	Multifunction	1-5
156-1876-00	A	CR	Hitachi	HM4864AP15	Memory Selection Guide	2-2
			Mitsubishi	5K4164ANP15		
			NEC America	4264C-15		
156-1877-00	A	CR	Advanced Micro Devices	R80286-8/C2H	Multifunction	1-4
			Intel	C80286		

^a For ND Codes (New Design Recommendations) and Status Codes, see tab marked CODES in the back of this catalog.

^b Emergency Vendor only.

TEK PART NUMBER TO VENDOR NUMBER (cont)

Part Number	Codes ^a		Vendor	Vendor No.	Type	Page
	ND	ST				
156-1877-01	A	CR	Intel	CA80286	Multifunction	1-4
156-1878-00	A	CS	Motorola	MC14562BPD/LD	CMOS	3-7
156-1879-00	A	CS	Motorola	MC14557BPD/LD	CMOS	3-7
156-1880-00		CR	Intel	C8206	Multifunction	1-7
156-1881-00	A	CR	Intel	8207-16	Memory Selection Guide	2-2
156-1881-02		CR	Intel	A8207-16	Memory Selection Guide	2-2
156-1882-00	U	CR	Advanced Micro Devices	D82C288-6	Multifunction	1-8
			Intel	D82288		
156-1882-01	A	CR	Intel	D82288	Multifunction	1-8
156-1883-00	U	CR	Intel	D80287	Multifunction	1-6
156-1883-01	A	CR	Intel	C80287	Multifunction	1-6
156-1884-00	A	CR	Intel	D82289	Multifunction	1-8
156-1885-00		CR	Intersil	ICL8038BCJD	Special Function	7-9
156-1886-00		CR	Advanced Micro Devices	AM6080APC	Special Function	7-4
156-1887-00		DL	Intel	D8254-2	MOS	
156-1888-00	A	CR	SMC Micro	FDC 9216BPI/BI	Multifunction	1-5
156-1889-00	N	CR	Motorola	MC10H136L/P	ECL	4-3
156-1890-00		DL		10H141LD	ECL	
156-1891-00	N	CR	Motorola	MC10H158PD/LD	ECL	4-3
156-1892-00	A	CR	Monolithic Memories	PAL14L8CJ/CN	TTL	6-19
156-1893-00		SC		HM6116P-2	Memory Selection Guide	
156-1894-00		SC		HM6147P	CMOS	
156-1895-00		SC		86500	CMOS	
156-1896-00		CR		HB9029	Hybrid	
156-1897-00		SC		TLP51-1		
156-1898-00		SC		ICL8212		
156-1899-00		CS		ITS80141	Special Function	
156-1900-00		SC		74LS137	TTL	
156-1901-00		SC		74LS321	TTL	
156-1902-00		CR	Unitrode	UC7815ACT	Linear	8-4
156-1903-00		CR	Unitrode	HC7915ACT	Linear	8-5
156-1904-00		DL	Motorola	MC10H141L	ECL	
156-1905-00		CR	Motorola	MC10H159L/P	ECL	4-3
156-1906-00		DL		74ALS244	TTL	
156-1907-00		DL		PAL16L8A	TTL	
156-1908-00	A	CR	National Semiconductor	DM74ALS243N	TTL	6-10
			Texas Instruments	SN74ALS243-1NP3/JP4		
156-1909-00	A	CR	Fairchild	74F157PCQR/DCQR	TTL	6-7
			Motorola	74F157NB/FB		
			Signetics	74F157NB/FB		
156-1910-00	U	CR	Motorola	SN74ALS30N/J	TTL	6-16
			National Semiconductor	DM74ALS30N/J		
			Texas Instruments	SN74ALS30AN3/J4		
156-1911-00	A	CR	Fairchild	74F174PCQR/DCQR	TTL	6-13
			Motorola	MC74F174NDS/JDS		
156-1912-00	A	CR	Texas Instruments	SN74LS6401NP3/JP4	TTL	6-11
156-1913-00		CR	Motorola	SN74LS687ND/JD	TTL	6-2
			Texas Instruments	SN74LS687N/J		
156-1914-00		DL	Texas Instruments	74LS606N/J	TTL	6-8
156-1915-00	A	CR	Motorola	MC68008L8	Multifunction	1-3
156-1915-01	A	CR	Motorola	MC68008L10	Multifunction	1-3
156-1916-00	A	CR	Signetics	N82S153N/S PLS153N/F	TTL	6-20
156-1917-00	U	CR	Texas Instruments	SN74LS595N3/J4	TTL	6-22
156-1918-00	U	CR	Motorola	MC10H162LD/PD	ECL	4-3
156-1919-00	A	CR	Fairchild	74F109PCQR/DCQR	TTL	6-13
			Motorola	MC74F109ND/JD		
			Signetics	N74F109NB/FB		

^a For ND Codes (New Design Recommendations) and Status Codes, see tab marked CODES in the back of this catalog.

TEK PART NUMBER TO VENDOR NUMBER (cont)

Part Number	Codes ^a		Vendor	Vendor No.	Type	Page
	ND	ST				
156-1920-00	A	CR	Signetics	74HCT244N-B	CMOS	3-2 & 3
156-1921-00	A	CR	Supertex Mitel Semiconductor National Semiconductor Supertex	74HCT244P-S114 MD74HCT245RE MM74HCT245N 74HCT245P	CMOS	3-7
156-1922-00		DL		SN74ALS573	TTL	
156-1923-00	A	CR	National Semiconductor	NSC800-4	Multifunction	1-3
156-1924-00		DL		TDA2030A	Linear	
156-1925-00		EN		SN75471	TTL	6-12
156-1926-00	X	CR	Texas Instruments	SN75472P3/N4	TTL	6-12
156-1927-00		DL		MC1496L	Linear	
156-1928-00		CR	Analog Devices Micro Power	AD7574JN MP7574JN	Special Function	7-2
156-1929-00		SC		74LS541		
156-1930-00		DL		74LS28		
156-1931-00		SC		TC40H010P		
156-1932-00		SC		74ALS573		
156-1933-00	P	CR	Fairchild	74F676PCQR/DCQR	TTL	6-22
156-1934-00	A	CR	Fairchild	74F189	Memory Selection Guide	2-8
156-1935-00	U	CR	Fairchild Motorola Texas Instruments	74F163PC/DC MC74F163ND/JD SN74AS163N3/J4	TTL	6-5
156-1936-00	P	CR	Fairchild	74F399PC	TTL	6-21
156-1937-00	U	CR	Signetics	74F399NB/FB		
156-1938-00	A	CR	Monolithic Memories	PAL16L8-4CN	TTL	6-19
156-1939-00		DL	Monolithic Memories	PAL20R6ACN/CJ 2764	TTL HMOS	6-19
156-1940-00	X	DL	Motorola	MC68B01G	Multifunction	1-2
156-1941-00		DL	Intel	D2187-3	Memory Selection Guide	2-11
156-1942-00		DL		HAL10L8	TTL	
156-1943-00		SC		HD7407		
156-1944-00	A	CR	SMC Micro	T9006HS	Multifunction	1-10
156-1945-00		DL		MC10H118	MECL	
156-1946-00		SC		IB-25K		
156-1947-00		SC		IB25F		
156-1948-00		SC		IB-25B		
156-1949-00		SC		TC40H158P		
156-1950-00		DL		MC68000L12		
156-1951-00	A	CR	Motorola	MC68010L8	Multifunction	1-4
156-1951-01	A	CR	Motorola	MC68010L12	Multifunction	1-4
156-1952-00		EN	Advanced Micro Devices	2952	Multifunction	1-8
156-1953-00	U	CR	Electronic Designs Fujitsu	EDH4464 MB85101-15	Memory Selection Guide	2-2
156-1954-00	U	CR	Elmo Semiconductor Motorola	MCC74HCU04	TTL	6-3
156-1956-00	A	CR	National Semiconductor GTE Mitel Semiconductor Supertex	MM74HCU04 G74SC138P/C MD74HCT138AC/AE 74HCT138P/B	CMOS	3-4
156-1957-00	A	CR	Fairchild Motorola	74F20PCQR/DCQR 74F20NDS/JDS	TTL	6-16
156-1958-00	A	CR	Signetics Motorola National Semiconductor Toshiba	74F20NB/FB MC74HC157N MM74HC157N TC74HC157P	CMOS	3-4
156-1959-00	A	CR	XICOR	X2210D/P	Memory Selection Guide	2-3
156-1960-00	A	CR	Advanced Micro Devices Intel	AM27256-3DC D27256-3	Memory Selection Guide	2-15
156-1960-01	A	CR	Advanced Micro Devices Intel	AM27256-3DC D27256-3	Memory Selection Guide	2-15

^a For ND Codes (New Design Recommendations) and Status Codes, see tab marked CODES in the back of this catalog.

TEK PART NUMBER TO VENDOR NUMBER (cont)

Part Number	Codes ^a		Vendor	Vendor No.	Type	Page
	ND	ST				
156-1961-00	P	CR	Fairchild	74F194PCQR	TTL	6-22
156-1962-00	P	CR	Sigmetics Fairchild Motorola Sigmetics	N74F194NB 74F244P MC74F244N N74F244N	TTL	6-4 & 10
156-1963-00	P	CR	Advanced Micro Devices	AM29823DCB	TTL	6-21
156-1964-00		DL		PBL3717	Special Function	
156-1965-00		DL	National Semiconductor	ADC0844	Special Function	7-2
156-1966-00		DL	National Semiconductor	DS3632N-8	CMOS	3-3
156-1967-00		CR	Motorola	MC78T12CT	Linear	8-6
			National Semiconductor	LM350T		
156-1968-00		CR	Sigmetics	N82S105N	TTL	6-20
156-1969-00	U	CR	Motorola	MC6803U4G	Multifunction	1-3
156-1970-00		NP		TL7705CP	Linear	
156-1971-00	U	CR	Amperex Sigmetics	NE527D NE527D	Special Function	7-5
156-1972-00	U	CS	Intech	7089H	Special Function	7-5
156-1973-00		CR	Fairchild Motorola Sigmetics ^b	74F175PCQR/DCQR MC74F175ND/JD N74F175NB	TTL	6-13
156-1974-00	A	CR	Fairchild	74F112PCQR/CQR	TTL	6-13 & 21
156-1975-00	A	CR	Fujitsu ^b Hitachi	MBM10480-25 HM10480	Memory Selection Guide	2-7
156-1976-00		DL		MC10H103	ECL	
156-1978-00		CR	Motorola National Semiconductor	LM11CH LM11CH	Operational Amp	8-10
156-1978-01		CR		LM11CH	Operational Amp	8-10
156-1979-00	P	CR	Sigmetics	N8TS806NB	TTL	6-21
156-1980-00	P	CR	Sigmetics	N8TS805NB	TTL	6-14 & 18
156-1981-00		CR	Texas Instruments	SN74276N3/J4	TTL	6-14
156-1982-00	X	DL	Cermetek Microelectronics	212AMODEM	Hybrid	
156-1983-00	A	CR	Texas Instruments Western Digital	TMS2797NL WD2797PL-02	Multifunction	1-5
156-1984-00		CR	Harris	HA5033	Linear	8-3
156-1985-00	A	CR	Rockwell	R65C02P2	Multifunction	1-3
156-1986-00	A	CS	Rockwell	R6522AP	Multifunction	1-8
156-1987-00	A	CR	GTE Rockwell	65SC51-2 R6551AP	Multifunction	1-9
156-1988-00		EN	Analog Devices Plessey		Special Function	7-8
156-1989-00		CR	Motorola	SP9685 MC34002D	Operational Amp	3-8
156-1990-00		PP		MC10H158	ECL	4-3
156-1991-00		CR	Motorola	MC10H175L/P	ECL	4-8
156-1992-00		CR	Motorola	MC10H188L/P	ECL	4-2
156-1993-00	A	CR	Motorola Toshiba	MCM2016H-70 TMM2018D-55PC	Memory Selection Guide	2-11
156-1994-00	A	CR	National Semiconductor	MM74C240	CMOS	3-2
156-1995-00	A	CR	Advanced Micro Devices Intel	AM93425SADC D2125H-2	Memory Selection Guide	2-8
156-1996-00		DL		74F112	TTL	
156-1997-00	A	CR	Fairchild Motorola Sigmetics	74F158PCQR/DCQR MC74F158ND/JD N74F158NB/FG	TTL	6-7
156-1998-00	A	CR	National Semiconductor	DM74ALS273N	TTL	6-13
156-1999-00	A	CR	Texas Instruments Monolithic Memories National Semiconductor	SN74ALS273N/J PAL14H4CN/CJ DMPAL14H4NC/JC	TTL	6-19
156-2000-00	A	CR	Cypress Toshiba	CY7C128-45PC TMM2018D-45	Memory Selection Guide	2-11

^a For ND Codes (New Design Recommendations) and Status Codes, see tab marked CODES in the back of this catalog.

^b Emergency Vendor only.

TEK PART NUMBER TO VENDOR NUMBER (cont)

Part Number	Codes ^a		Vendor	Vendor No.	Type	Page
	ND	ST				
156-2001-00		CR	Fairchild Motorola	74F257PCQR/DCQR MC74F257	TTL	6-7
156-2002-00		CR	Signetics Fairchild Motorola Signetics	N74F257NA + /JA + 74F534PCQR/DCQR DM74F534NDS/JDS N74F534NA + /JA +	TTL	6-14
156-2003-00	A	CR	Intel	C80188-3DC/S40157	Multifunction	1-3
156-2003-01	A	CR	Intel	C80188PC	Multifunction	1-3
156-2003-02		EN	Intel	A80188	Multifunction	1-3
156-2004-00		SC		MB8416A-15P-SK	Memory Selection Guide	
156-2005-00		DL		40H365	CMOS	
156-2006-00		CR	Fairchild	F100114DC	ECL	4-8
156-2007-00		SC				
156-2008-00		SC		MC14584B	CMOS	
156-2009-00		PP		MC74HC74	CMOS	3-4
156-2009-01		CR	Motorola	MC74HC74N	CMOS	3-4
156-2010-00		SC		MC74HC373	CMOS	
156-2011-00		SC		D80C39C	CMOS	
156-2012-00		CR	Hitachi Motorola	HM6116P-2 MCM6116AP-12	Memory Selection Guide	2-11
156-2013-00		CR	National Semiconductor	DS75162AN	TTL	6-12
156-2014-00	N	CR	Advanced Micro Devices Fujitsu Intel	AM27128-25DC MBM27128-25 27128	Memory Selection Guide	
156-2015-00	U	CR	Seeq Technology Toshiba	DQ5143-250 TC5517APL	Memory Selection Guide	2-9
156-2016-00	A	CR	Toshiba	TMM2016P-1	Memory Selection Guide	2-11
156-2017-00	U	CR	Monolithic Memories National Semiconductor	PAL20X4CJ DMPAL20X4JC	TTL	6-19
156-2017-01	A	CR	Monolithic Memories National Semiconductor	PAL204CJ PAL20X4JC	TTL	6-19
156-2018-00		DL	Motorola	MCM2167H-35	Memory Selection Guide	
156-2019-00		CR	Motorola	MC10H100P/L	ECL	4-6
156-2020-00	A	CR	Texas Instruments	74ALS648NT3	TTL	6-11
156-2021-00	N	CR	NEC America	UD7810G	Multifunction	1-2
156-2022-00	A	CR	National Semiconductor Texas Instruments	DM74ALS580N SN74ALS580N/P	TTL	6-18
156-2023-00		LS		SN74LS423N	TTL	6-20
156-2024-00		CR	Silicon General	SG3525AN	Linear	8-6
156-2025-00	X	DL	Unitrode Toshiba	UC3525AN TC5564PL-10	Memory Selection Guide	2-9
156-2026-00		CR	Motorola National Semiconductor	MC74HC02N/J MC74HC02N/J	CMOS	3-5
156-2027-00		CR	National Semiconductor	MM74HC04N/J	CMOS	3-2
156-2028-00	P	CR	Texas Instruments	74AS866N3	TTL	6-2
156-2029-00	U	CR	XICOR	2443	Memory Selection Guide	2-3
156-2030-00	U	DL	National Semiconductor	DP8460-2	MOS	
156-2030-01	A	CR	National Semiconductor	DP8460-4N	TTL	6-8
156-2031-00		DL	Advanced Micro Devices	AMPAL16R6L	TTL	6-19
156-2032-00	A	OT	National Semiconductor	NS32201-10A +	Multifunction	1-5
156-2033-00	A	OT	National Semiconductor	NS32016-10A +	Multifunction	1-4
156-2033-01	A	CS	National Semiconductor	NS32016-8NA +	Multifunction	1-4
156-2034-00	U	CR	National Semiconductor	NS32202-10A +	Multifunction	1-7
156-2034-01		CR	National Semiconductor	NS32202-10	Multifunction	1-7
156-2035-00	A	OT	National Semiconductor	NS32082-8NA +	Multifunction	1-7
156-2035-01	A	NP	National Semiconductor	NS32082-8NA +	Multifunction	1-7
156-2036-00	A	CR	National Semiconductor	NS32081-10A +	Multifunction	1-6
156-2037-00	A	CR	Texas Instruments	75176AP/JG	TTL	6-12

^a For ND Codes (New Design Recommendations) and Status Codes, see tab marked CODES in the back of this catalog.

TEK PART NUMBER TO VENDOR NUMBER (cont)

Part Number	Codes ^a		Vendor	Vendor No.	Type	Page
	ND	ST				
156-2038-00	A	CR	Fairchild	74F148PCQR	TTL	6-12
156-2039-00	P	CR	Fairchild	74F280PCQR	TTL	6-17
			Signetics	74S280P		
156-2040-00	U	CR	Advanced Micro Devices	AM29864DCB	TTL	6-10
156-2041-00	A	OT	West Digital	WD1770	Multifunction	1-5
156-2042-00	A	CR	Monolithic Memories	SN74LS491NS/JS	TTL	6-6
156-2043-00	A	CR	Intel	82586	Multifunction	1-7
156-2044-00	A	PP	Texas Instruments	SN74LS652N3/J4	TTL	6-11
156-2045-00	U	CR	Intel	8744	Multifunction	1-2
156-2046-00		CR	Advanced Micro Devices	AMPAL16R4LPC/DC	TTL	6-19
156-2047-00		CR	Advanced Micro Devices	AMPAL16R8LPC/DC	TTL	6-19
156-2048-00	U	CR	Advanced Micro Devices	AMPAL16R6LPC/DC	TTL	6-19
156-2049-00	A	CR	Monolithic Memories	PAL20L10CN/CJ	TTL	6-19
			National Semiconductor	DM20L10CN/CJ		
156-2050-00	A	CR	Advanced Micro Devices	AMPAL16H8PD/DC	TTL	6-19
156-2052-00	U	PP	Signetics	LM319D	Special Function	7-8
156-2054-00		SC		TLP521-1BL		
156-2055-00		SC		HA17904PS	Linear	
156-2056-00		SC		TLP545J		
156-2057-00	A	CR	Motorola	MC10H209P/L	ECL	4-7
156-2058-00	U	PP	Signetics	N82S151N/F	TTL	6-20
156-2059-00	U	PP	Motorola	MC10114PD/LD	ECL	4-8
156-2060-00	U	CR	TRW	TDC1018	Special Function	7-4
156-2061-00	U	CR	Intel	P51C64-12	Memory Selection Guide	2-2
156-2062-00		DL		AM27529A	TTL	
156-2063-00	P	CR	Texas Instruments	SN74ALS374N	TTL	6-14
156-2064-00	U	OB	Hitachi	HM4864AP-12	Memory Selection Guide	2-2
			Mitsubishi	M5K4164ANP-12		
156-2065-00	U	CR	Texas Instruments	SN74AS373N	TTL	6-18
156-2066-00	A	CR	Hitachi	HM6264P-12	Memory Selection Guide	2-9
156-2067-00	U	CR	Fairchild	74F378PCQR/DCQR	TTL	6-22
			Motorola	MC74F378ND/JD		
			Signetics	N74F378NB/FB		
156-2068-00	A	PP	Signetics	N82S105AN/F	TTL	6-20
156-2069-00	U	CR	Analog Devices	AD90021	CMOS	3-4
156-2070-00	U	DL	Advanced Micro Devices	AM2910A	TTL	6-21
			Texas Instruments	SN74278N3		
156-2071-00	U	DL	Advanced Micro Devices	AM29116DCB	Multifunction	1-4
156-2072-00	U	PP	Advanced Micro Devices	AM29818	TTL	6-21
156-2073-00	U	CR	Texas Instruments	SN74AS151N	TTL	6-7
156-2074-00	U	CS	Intel	82501	Multifunction	1-7
156-2075-00	A	CR	Intel	8344	Multifunction	1-2
156-2076-00	U	CR	Advanced Micro Devices	Z8530APC	Multifunction	1-9
			Zilog	Z8530A-00		
156-2076-01	U	CR	Advanced Micro Devices	Z8530PC	Multifunction	1-9
			Zilog	Z8530PS		
156-2077-00	U	OB	Advanced Micro Devices	AM29833DCB	TTL	6-10
156-2078-00	U	CR	Monolithic Memories	SN74S409-2N48	Memory Selection Guide	2-2
			National Semiconductor	DP8409-2		
156-2078-01		DL		8409-2	Memory Selection Guide	
156-2079-00	U	CR	Advanced Micro Devices	AM29825DCB	TTL	6-21
156-2080-00	U	CR	Advanced Micro Devices	AM9516A-4PCB/DCB	Multifunction	1-6
156-2080-01		CR	Advanced Micro Devices	AM9516A-8	Multifunction	1-6
156-2081-00	U	CR	Texas Instruments	SN74LS356N	TTL	6-8
156-2082-00	N	CR	NCR	NCR5385E	Multifunction	1-10
156-2083-00	P	CR	Fairchild	74F538PCQR	TTL	6-9
156-2084-00	A	CR	Monolithic Memories	PAL20X8CN/J	TTL	6-19
			National Semiconductor	PAL20X8NC/JC		
156-2084-01		DL		PAL20X8A	TTL	
156-2085-00	U	DL	National Semiconductor	NMC9306EA+	Multifunction	1-6
156-2086-00	P	CS	Texas Instruments	SN74ALS646N3	TTL	6-11

^a For ND Codes (New Design Recommendations) and Status Codes, see tab marked CODES in the back of this catalog.

TEK PART NUMBER TO VENDOR NUMBER (cont)

Part Number	Codes ^a		Vendor	Vendor No.	Type	Page
	ND	ST				
156-2087-00		DL		TC5514AD-3	Memory Selection Guide	
156-2088-00		SC		74HC157	CMOS	3-4
156-2089-00		DL		DP843112	MOS	
156-2090-00	U	CS	Texas Instruments	SN74LS31N3	TTL	6-16
156-2091-00	P	CR	Texas Instruments	SN74ALS00AN	TTL	6-14
156-2091-01	A	CR	National Semiconductor	DM74ALS00	TTL	6-14
			Texas Instruments	SN74ALS00AY		
156-2092-00	P	CR	Texas Instruments	SN74ALS02N	TTL	6-15
156-2093-00	P	CR	Texas Instruments	SN74ALS32N	TTL	6-16
156-2094-00	U	CR	Texas Instruments	SN74ALS04N3/J4	TTL	6-3
156-2095-00	U	CR	Texas Instruments	SN74ALS86N3/J4	TTL	6-16
156-2096-00	P	CR	Texas Instruments	SN74ALS175N	TTL	6-13
156-2097-00	P	CR	Texas Instruments	SN74ALS27N	TTL	6-16
156-2098-00	U	CR	Texas Instruments	SN74ALS161BN	TTL	6-5
156-2099-00		DL		SN74ALS244	TTL	
156-2099-01	A	CR	Texas Instruments	SN74ALS244Y	TTL	6-4 & 10
156-2100-00	A	CR	Motorola	MC74ALS138N/J	TTL	6-9
			Texas Instruments	SN74ALS138N		
156-2101-00	A	CR	Motorola	SN74ALS20ND/JD	TTL	6-16
			Texas Instruments	SN74ALS20AN		
156-2102-00		DL		27128-25	Memory Selection Guide	
156-2103-00	U	CR	Signetics	N68681	Multifunction	1-9
156-2104-00	N	CR	Harris	HM16514-9	Memory Selection Guide	2-9
156-2105-00		CR	Monolithic Memories	PAL16R6A-4CN	TTL	6-19
156-2106-00	A	EN	Fijitsu	MB8264A-10	Memory Selection Guide	2-2
			Mostek	MK45H64-10		
156-2107-00		EN		74ALS244	TTL	6-4
156-2108-00	A	CR	Hitachi	HD68450U-8	Multifunction	1-6
			Motorola	MC68440-8		
156-2108-01		EN	Hitachi	HD68450Y8	Multifunction	1-6
			Motorola	MC68450RC-8		
156-2109-00	P	CR	Texas Instruments	SN74ALS153N	TTL	6-7
156-2110-00		DL		SN74ALS164	TTL	
156-2111-00	U	CR	Texas Instruments	SN74ALS373N	TTL	6-18
156-2112-00		DL		SN74ALS30	TTL	
156-2113-00	P	CR	Texas Instruments	SN74ALS08N	TTL	6-15
156-2113-01	A	CR	National Semiconductor	DM74ALS08	TTL	6-15
			Texas Instruments	SN74ALS08		
156-2114-00	U	CR	Motorola	MC10H115P/L	ECL	4-8
156-2115-00		CR	Motorola	MC10H171P/L	ECL	4-3
156-2116-00		CR	Motorola	MC10H173P/L	ECL	4-8
156-2117-00	U	CR	National Semiconductor	MM74C154NA +	CMOS	3-4
156-2118-00	U	CR	National Semiconductor	DM74LS107ANA +	TTL	6-13
156-2119-00	U	CR	Exar	XR-220CP	TTL	6-2
156-2120-00	P	CR	Fairchild	74F164PCQR/DCQR	TTL	6-22
156-2121-00	A	CR	Monolithic Memories	PAL20L2CN/CJ	TTL	6-19
156-2122-00		DL		74SC373	TTL	
156-2123-00	U	CR	Monolithic Memories	PAL16R4ACN/CJ	TTL	6-19
			National Semiconductor	PAL16R4NC/JC		
156-2124-00	U	CR	National Semiconductor	DMPAL16L8BNC/JC	TTL	6-11 & 19
156-2134-00	A	CR	Mitel Semiconductor	74HCT373AC/AE	CMOS	3-6
			RCA	CD74HCT373E		
			Supertex	74HCT373P-S117		
156-2135-00	N	EN	NEC America	UPD78C05AG	Multifunction	1-2
156-2136-00	N	EN	NEC America	UPD7720D	Multifunction	1-2
156-2137-00	N	EN	NEC America	UPD7721R	Multifunction	1-10
156-2138-00		CR	Monolithic Memories	PAL16R4A-4CN/CJ	TTL	6-8 & 19
			National Semiconductor	DMPAL1BR4A-4NC/JC		

^a For ND Codes (New Design Recommendations) and Status Codes, see tab marked CODES in the back of this catalog.

TEK PART NUMBER TO VENDOR NUMBER (cont)

Part Number	Codes ^a		Vendor	Vendor No.	Type	Page
	ND	ST				
156-2139-00	A	CR	Hitachi NEC America Toshiba	HM50256P-15 UPD41256C-15 TMM41256P-15	Memory Selection Guide	2-2
156-2139-01		PP	Texas Instruments Hitachi NEC America Texas Instruments	TM4256-15NL HM50256PP-15 UPD4156C-15 TMS4256-15NL	Memory Selection Guide	2-2
156-2140-00	A	CR	Intel	2817A-4	Memory Selection Guide	2-16
156-2141-00		CR	Texas Instruments	SN74LS597NP3/JP4	TTL	6-22
156-2142-00		CR	Motorola	MC10H016P/L	ECL	4-3
156-2143-00	A	PP	Intel	P2732A	Memory Selection Guide	2-14
156-2145-00	U	CR	Mitsubishi NEC America	M5M4416P-12 UPD41416	Memory Selection Guide	2-2
156-2146-00	U	CR	Hitachi	HM6116ASP-15	Memory Selection Guide	2-9
156-2148-00	U	CR	Western Digital	WD2010B-05	Multifunction	1-5
156-2149-00	U	PP	Advanced Micro Devices	AM27S40ADC	Memory Selection Guide	2-13
156-2150-00	U	EN	Monolithic Memories	6381-1JS	Memory Selection Guide	2-13
156-2151-00	U	CR	Hitachi NEC America Texas Instruments	HM50256P-12 UPD41256C-12 TMS4256-12NL	Memory Selection Guide	2-2
156-2152-00	U	PP	Monolithic Memories National Semiconductor	PAL16L6CJ DMPAL16L6NC/JC	TTL	6-19
156-2153-00	U	PP	Texas Instruments	SN74ALS623AN3/J4	TTL	6-11
156-2154-00	U	PP	Fairchild Motorola Signetics	74F352DCQR MC74F352 N74F352NB/FB	TTL	6-7
156-2155-00	U	CR	Fujitsu	MBM10422A-7Z	Memory Selection Guide	2-7
156-2156-00	P	CR	Texas Instruments	SN74AS808A/N3	TTL	6-11
156-2157-00	U	DL	Fairchild	74F398PCQR	TTL	6-21
156-2158-00	A	CR	Texas Instruments	SN74AS832BN/J	TTL	6-11
156-2159-00	U	CR	National Semiconductor Texas Instruments	74AS157NA + SN74AS157N3	TTL	6-7
156-2160-00	U	CR	Linear Technology	LT1033CK	Linear	8-6
156-2161-00	A	CR	Motorola	SN74ALS158N	TTL	6-7
156-2162-00		CR	Advanced Micro Devices	AM9150-45DC	Memory Selection Guide	2-10
156-2163-00	A	CR	Intel	D2816A-3	Memory Selection Guide	2-16
156-2164-00	U	CR	Advanced Micro Devices Texas Instruments	AM25LS2539PC SN74ALS158N	TTL	6-9
156-2165-00	U	PP	Texas Instruments	TMS4161-15NL	Memory Selection Guide	2-2
156-2166-00	P	CR	Texas Instruments	SN74AS805BN	TTL	6-11
156-2167-00	U	CR	Texas Instruments	SN74AS1004AN	TTL	6-4
156-2168-00	A	CR	Texas Instruments	SN74LS682N	TTL	6-2
156-2169-00	U	CR	Texas Instruments	SN74ALS169BN	TTL	6-5
156-2171-00		CR	Texas Instruments	TLC27L4ACN	Operational Amp	8-11
156-2172-00	A	CR	Hitachi Motorola National Semiconductor	10422DK SCM30149L DM10422AJ	Memory Selection Guide	2-7
156-2174-00	U	CR	Motorola	MC68010R12D	Multifunction	1-4
156-2174-01	A	CR	Motorola	MC68010L10	Multifunction	1-4
156-2175-00	U	DL	Motorola	MC10H130P/L	ECL	4-8
156-2176-00	U	CR	Texas Instruments	SN74ALS1AN/AN3	TTL	6-15
156-2177-00	U	CR	Motorola Texas Instruments	SN74ALS12ND/JD SN74ALS12AN	TTL	6-15
156-2178-00	U	CR	Texas Instruments	SN74ALS38AN	TTL	6-3
156-2179-00	U	CR	Texas Instruments	SN74ALS174N3/J4	TTL	6-13
156-2180-00	U	CR	Texas Instruments	SN74ALS241N/J	TTL	6-4
156-2181-00	U	DL	Texas Instruments	SN74ALS368N3/J4	TTL	6-11
156-2182-00	U	CR	Motorola Texas Instruments	MC74ALS157N/J SN74ALS157N/J	TTL	6-7

^a For ND Codes (New Design Recommendations) and Status Codes, see tab marked CODES in the back of this catalog.

TEK PART NUMBER TO VENDOR NUMBER (cont)

Part Number	Codes ^a		Vendor	Vendor No.	Type	Page
	ND	ST				
156-2183-00 156-2184-00	A	DL CR	Intel National Semiconductor Signetics	D27256-3 MM74HCT240N 74HCT240N	CMOS	3-2
156-2186-00		CR	Texas Instruments Linear Technology National Semiconductor	SN74HCT240N LT1021-CCH-10 LM368H-10	Linear	8-7
156-2188-00	A	CR	INMOS	IMS2620P-15	Memory Selection Guide	2-2
156-2189-00	A	CR	Fairchild	F9450 15DC	Multifunction	1-4
156-2189-01	A	DL	Fairchild	F9450-20DC	Multifunction	1-4
156-2189-02		DL	Fairchild	F9450-12DC/SL-33116	Multifunction	1-4
156-2190-00	A	CR	Fairchild	F9451DC	Multifunction	1-7
156-2191-00	A	DL	Fairchild	F9452-15DMQB		
156-2192-00	A	CR	Intel	2817A-3	Memory Selection Guide	2-16
156-2193-00		CR	Motorola	MC10H211P/L	ECL	4-7
156-2194-00	A	CR	Advanced Micro Devices Intel	AM27128A-2DC D27128A-2	Memory Selection Guide	2-15
156-2195-00	A	CR	Advanced Micro Devices	AM27128A-3DC	Memory Selection Guide	2-15
156-2196-00	A	PP	Intel	D27128A-3 AM2764ADC	Memory Selection Guide	2-14
156-2197-00	A	DL	Intel	D2764A AM2764A-4DC D2764A-4	Memory Selection Guide	2-14
156-2198-00	A	CR	Advanced Micro Devices Intel	AM2764A-3DC D2764A-3	Memory Selection Guide	2-14
156-2200-00	U	PP	National Semiconductor Texas Instruments	DM74ALS33NA + SN74ALS33AN	TTL	6-3
156-2201-00	U	CR	Fairchild	74F219DCQR	Memory Selection Guide	2-8
156-2202-00	N	CR	NEC America	UPD7807G	Multifunction	1-2
156-2203-00		DL			TTL	
156-2204-00		DL			TTL	
156-2205-00		CR	Siliconix	LD221CJ	Special Function	7-3
156-2206-00		CR	Texas Instruments	74LS644-1N3	TTL	6-11
156-2207-00		CR	Advanced Micro Devices	9519APCB	Multifunction	1-7
156-2208-00	U	CR	Avantek	GPD-252A	Special Function	7-10
156-2209-00	A	CS	INMOS	IMS2600P-12	Memory Selection Guide	2-2
156-2210-00	U	CR	Texas Instruments	SN74ALS257N	TTL	6-7
156-2211-00	U	CR	Texas Instruments	SN74ALS640AN	TTL	6-11
156-2211-01		EN		74ALS640-1	TTL	6-11
156-2212-00		CR	Advanced Micro Devices	AM2503	TTL	6-21
156-2213-00	A	CR	Signetics	N82S147A	Memory Selection Guide	2-12
156-2214-00		CR	Harris	HA-5160-5	Operational Amp	8-11
156-2214-01		EN	Harris	HA5160/5162	Operational Amp	8-11
156-2215-00	A	CS	Texas Instruments	SN74AS1000N3	TTL	6-4
156-2216-00	A	CS	National Semiconductor	DS3896NA +	TTL	6-10
156-2217-00	A	CS	National Semiconductor	DS3897NA +	TTL	6-10
156-2218-00		CR	Analog Devices	DAC80D-CBI-I	Special Function	7-5
156-2220-00		CR		MC12013	ECL	
156-2221-00		CR	Motorola Texas Instruments	SN74ALS640NP/DP SN74ALS640 ANP3/JP4	TTL	6-11
156-2222-00		CR	Fairchild Signetics	74F258PCQR/DCQR N74F258NA + JA +	TTL	6-7
156-2223-00		CR	National Semiconductor	LM337L2		8-6
156-2224-00	A	CR	Advanced Micro Devices	AM27S29APC/DC	Memory Selection Guide	2-12
156-2225-00	A	CR	Advanced Micro Devices	AM27S33APC/DC	Memory Selection Guide	2-12
156-2226-00	A	CR	Advanced Micro Devices	AM27S35PC/DC	Memory Selection Guide	2-13
156-2229-00	U	CS	Texas Instruments	SN74AS646NT3	TTL	6-11

^a For ND Codes (New Design Recommendations) and Status Codes, see tab marked CODES in the back of this catalog.

TEK PART NUMBER TO VENDOR NUMBER (cont)

Part Number	Codes ^a		Vendor	Vendor No.	Type	Page
	ND	ST				
156-2230-00		EN		LM33TL	Memory Selection Guide	2-2
156-2231-00	U	CS	Advanced Micro Devices	AM2960-1DCB	TTL	6-23
156-2232-00	U	CS	Texas Instruments	SN74AS874NT3	TTL	6-14
156-2233-00	U	CR	Texas Instruments	SN74ALS677NT	TTL	6-2
156-2234-00	U	CS	Texas Instruments	SN74AS873NT3	TTL	6-18
156-2235-00	U	CR	Texas Instruments	SN74AS1032AN3	TTL	6-4 & 11
156-2236-00	U	CS	Texas Instruments	SN74AS652NT3	TTL	6-21
156-2237-00	U	CS	Monolithic Memories	PAL12H6CJ/CN	TTL	6-11 & 14
			National Semiconductor	PAL12H6JN/JC		
156-2238-00	U	CR	National Semiconductor	DM74ALS521NA +	TTL	6-2
			Texas Instruments	SN74ALS521N3		
156-2239-00	U	CR	National Semiconductor	DM74ALS21NA +	TTL	6-16
			Texas Instruments	SN74ALS21N3		
156-2241-00	A	CR	Signetics	N8X305N	Multifunction	1-2
156-2242-00	A	CR	National Semiconductor	DP8340NA +	TTL	6-12
156-2243-00	A	CR	National Semiconductor	DP8341NA +	TTL	6-9 & 12
156-2244-00	A	CR	Motorola	MC3487PD	TTL	6-10
			National Semiconductor	DS3487N		
156-2245-00		CR	National Semiconductor	MM74HCT241P	CMOS	3-2
			Supertex	74HCT241P-S118		
156-2246-00	A	CR	Seeq Technology	DQ8023	TTL	6-5
156-2247-00	U	CR	Avantek	GPD-1003A	Special Function	7-10
156-2248-00		CR	Sony Consumer	CX20052A	Special Function	7-2
156-2250-00		CR	Advanced Micro Devices	AMPAL22V10 PC/DC	TTL	6-20
156-2250-01		EN	Advanced Micro Devices	PAL22V10A	TTL	6-20
156-2251-00	A	CR	Fairchild	74F161	TTL	6-5
			Motorola	MC74F161AN		
			Signetics	74F161A		
156-2252-00		CR	National Semiconductor	INA8250AN/D	Multifunction	1-9
156-2254-00	U	CR	Motorola	MC146818PD	Multifunction	1-8
156-2255-00	A	CR	Texas Instruments	SN76496P	Special Function	7-11
156-2256-00	U	CR	RCA	CD74HC00EX/FX	CMOS	3-5
			Texas Instruments	SN74HC00N3/J4		
156-2257-00	U	CR	Fairchild	74F251PCQR	TTL	6-7
			Motorola	MC74F251ND/JD		
156-2258-00	A	CR	Motorola	MC14574	Special Function	7-8
156-2259-00	U	CR	Fairchild	74F299PCQR	TTL	6-22
156-2260-00	U	CR	Fairchild	74F253PCQR	TTL	6-7
			Motorola	74F253N		
			Signetics	74F253NB		
156-2261-00		CR	Precision	AMP-01EX	Operational Amp	8-12
156-2261-01		CR		AMP-01EX	Operational Amp	8-12
156-2262-00		SC			Special Function	
156-2263-00	U	PP	Hamilton-Avnet	LM79L12ACZ	Linear	8-5
			Motorola	MC79L12ACP		
			National Semiconductor	LM79L12ACZ		
156-2264-00	U	CR	Fairchild	74F379PCQR	TTL	6-21
156-2265-00	U	CR	GTE	G65SC22P-2	Multifunction	1-8
156-2266-00		PP	Analog Devices	AD547LH	Operational Amp	8-11
			Burr-Brown	OPA111BM		
156-2274-00	A	CR	Hitachi	HM6264LP-12	Memory Selection Guide	2-9
156-2279-00		EN		84000-4	Multifunction	1-4
156-2280-00		CR		Z40H	Multifunction	1-3
156-2282-00	X	DL	Crown Elec	HM6264LP-12	Memory Selection Guide	2-9
156-2284-00		CR		74ALS1034N	TTL	6-11
156-2285-00	A	CR	Texas Instruments	SN74ALS876N + 3	TTL	6-14
156-2287-00		CR	Data Delay	G-33-10	Multifunction	1-10
156-2289-00	U	PP	Motorola	MC10H124P	TTL	4-9 & 6-23
156-2290-00	U	CR	Motorola	MC10H125P	TTL	4-9 & 6-23
156-2291-00	A	CR	Texas Instruments	SN74AS869NT	TTL	6-6
156-2292-00	P	CR	Texas Instruments	SN74ALS652NT3/JT4	TTL	6-11 & 21

^a For ND Codes (New Design Recommendations) and Status Codes, see tab marked CODES in the back of this catalog.

TEK PART NUMBER TO VENDOR NUMBER (cont)

Part Number	Codes ^a		Vendor	Vendor No.	Type	Page
	ND	ST				
156-2293-00	A	CR	Motorola	SN74ALS139ND/JD	TTL	6-7 & 9
			Texas Instruments	SN74ALS139N		
156-2294-00	A	CR	National Semiconductor	DM74ALS874ANTA	TTL	6-14
			Texas Instruments	SN74ALS874ANT		
156-2295-00	U	CR	National Semiconductor	74AS158NA +	TTL	6-7
			Texas Instruments	SN74AS158N		
156-2296-00	A	CR	Intel	8208	Memory Selection Guide	2-2
156-2297-00	A	CR	National Semiconductor	DS1662D1E/DS3662	TTL	6-10
156-2307-00		PP		10474-8	Memory Selection Guide	
156-2313-00		PP	Motorola	MC10H16P/L	ECL	4-3
156-2317-00	A	CR	Intel	8742	Multifunction	1-2
156-2318-00	A	CR	National Semiconductor	DM74AS876NA +	TTL	6-14
			Texas Instruments	SN74AS876NT		
156-2319-00	A	CR	National Semiconductor	DM74AS00NA +	TTL	6-14
			Texas Instruments	SN74AS00N		
156-2320-00	A	CR	Texas Instruments	SN74ALS1005N/J	TTL	6-4
156-2321-00	A	CR	National Semiconductor	DM74AS08NA +	TTL	6-15
			Texas Instruments	SN74AS08N		
156-2322-00	A	CR	National Semiconductor	DM74AS181AN +	TTL	6-2 & 17
			Texas Instruments	SN74AS181ANT		
156-2323-00	A	PP	National Semiconductor	DM74AS04NA +	TTL	6-3
			Texas Instruments	SN74AS04N		
156-2324-00		CR	National Semiconductor	DM74AS27NA + /JA +	TTL	6-16
			Texas Instruments	SN74AS27ND/J4		
156-2326-00		CR	Motorola	SN74ALS561ND/JD	TTL	6-6
			Texas Instruments	SN74ALS561N3/J4		
156-2327-00		EN	Texas Instruments	SN74AS02N3/J4	TTL	6-15
156-2328-00	A	CR	Power General	802	Special Function	7-11
156-2329-00	A	CR	Analog Devices	AD9702BD	Special Function	7-5
156-2330-00	A	CR	Texas Instruments	TMS4161-20NL	Memory Selection Guide	2-2
156-2331-00		CR	Texas Instruments	SN74LS590N3/J4	TTL	6-6
156-2332-00		CR	Motorola	SN74ALS01ND/JD	TTL	6-14
			National Semiconductor	DM74ALS01ND/JD		
			Texas Instruments	SN74ALS01N3/J4		
156-2333-00		CR	Motorola	SN74ALS162ND/JD	TTL	6-5
			National Semiconductor	DM74ALS162ND/JD		
			Texas Instruments	SN74ALS162AN3/J4		
156-2334-00		CR	Motorola	SN74ALS191ND/JD	TTL	6-6
			National Semiconductor	DM74ALS191ND/JD	TTL	
			Texas Instruments	SN74ALS191	TTL	
156-2336-00		CR	Motorola	SN74LS684ND/JD	TTL	6-2
			Texas Instruments	SN74LS684N3/J4		
156-2337-00		PP	Motorola	74HCT139ND/JD	CMOS	3-4
			National Semiconductor	74HCT139JA + /NA +		
			RCA	CD74HCT139EX		
			Signetics	74HCT139NB		
156-2338-00	A	CR	National Semiconductor	DM74AS74NA +	TTL	6-13
			Texas Instruments	SN74AS74N/J		
156-2339-00	A	CR	National Semiconductor	DM74AS32NA +	TTL	6-16
			Texas Instruments	SN74AS32N		
156-2340-00	A	PP	National Semiconductor	DM74AS20NA +	TTL	6-16
			Texas Instruments	SN74AS20N3/J4		
156-2341-00	A	CR	Monolithic Memories	SN74LS794N	TTL	6-18
156-2342-00	P	CR	Texas Instruments	SN74ALS841NT	TTL	6-18
156-2343-00	A	PP	National Semiconductor	DM74AS02NA +	TTL	6-15
			Texas Instruments	SN74AS02N3/J4		
156-2344-00		CR	Harris	IP82C84A/ +	CMOS	3-3 & 6

^a For ND Codes (New Design Recommendations) and Status Codes, see tab marked CODES in the back of this catalog.

TEK PART NUMBER TO VENDOR NUMBER (cont)

Part Number	Codes ^a		Vendor	Vendor No.	Type	Page
	ND	ST				
156-2345-00	A	CR	Fairchild ^b Motorola	74F160PCQR/DCQR MC74F160ND/NJ	TTL	6-5
156-2346-00		DL	Texas Instruments	TLC27L2ACP	Operational Amp	8-11
156-2347-00	A	CR	National Semiconductor	ADC1001	Special Function	7-2
156-2348-00		CR	Burr-Brown Harris	SHC5320KH HA1-5320-5	Special Function	7-10
156-2349-00		CR	Motorola	MC74HC595NDS/JDS	CMOS	3-7
156-2350-00	A	CR	Motorola	MC10H350P/L	ECL	4-9 & 6-23
156-2353-00		CR	National Semiconductor	LM386N-1	Special Function	7-10
156-2355-00		CR	RCA	CD74HCT4020EX	CMOS	3-3
156-2356-00		CR	Texas Instruments	SN74HCT573N3/J3	CMOS	3-6
156-2357-00		CR	Texas Instruments	SN74HCT574N3/J4	CMOS	3-6
156-2358-00		CR	Motorola National Semiconductor	MC74HC4017NDS/JDS MM74HC4017NA/JA +	CMOS	3-3
156-2360-00	A	CR	Motorola	MC68000R10	Multifunction	1-4
156-2361-00	A	PP	Motorola	MC68440R10	Multifunction	1-6
156-2362-00		DL		N32016-8		
156-2363-00		DL		NS32082-8		
156-2369-00		CR	Motorola	MC74HCT54/N	CMOS	3-2
			Texas Instruments	SN74HCT541N3/J3		
156-2370-00		PP	RCA Signetics	QHT257EX98 74HCT257NB/FB	CMOS	3-4
156-2371-00	A	EN	Mostek	MK4501-15	Memory Selection Guide	2-3
156-2372-00	A	PP	NEC America	UPD41254DC	Memory Selection Guide	2-2
156-2373-00	A	PP	Texas Instruments	SN74AS169N/J	TTL	6-5
156-2374-00	A	EN	Intel Western Digital	82062 WD1010-5	Multifunction	1-5
156-2376-00	A	CR	Elec Designs Fujitsu	EDH4464-12 MB85101A-12	Memory Selection Guide	2-2
156-2377-00	A	CR	Texas Instruments	SN74AS257N3/J4	TTL	6-7
156-2378-00	A	OT	Hitachi Inmos Motorola	HM6168HP-70 IMS14230P-70L MCM6168P-70	Memory Selection Guide	2-11
156-2380-00		CR	VLSI Technology	VF4101	HMOS	5-2
156-2381-00		CR	National Semiconductor	DM74AS374N/J	CMOS	3-8
156-2382-00		CR	VLSI Technology	VF4083		
156-2384-00		CR	Texas Instruments	SN74AS374N3/J4	TTL	6-14
		CR	National Semiconductor	LM3914N	Linear	8-3
156-2385-00		PP	NEC America	UDP6530	CMOS	3-8
156-2386-00	A	CR	Texas Instruments	SN74AS857NT3/JT4	TTL	6-8
156-2387-00	A	CR	Texas Instruments	SN74AS870NT3/JT4	TTL	6-21
156-2388-00	A	PP	Texas Instruments	SN74ALS688N/J	TTL	6-8
156-2389-00	A	PP	Texas Instruments	SN74AS867NT3/JT4	TTL	6-6
156-2389-01	P	CS	Texas Instruments	74AS867NT/JT	TTL	6-6
156-2390-00	X	DL	Motorola National Semiconductor	SN74ALS03ND/JD DM74ALS03NA +/JA +	TTL	6-15
			Texas Instruments	SN74ALS03N3154		
156-2391-00		CR	Texas Instruments	SN74ALS541N3/J4	TTL	6-4 & 11
156-2392-00		CR	Motorola	MC74HC14ND/JD	CMOS	3-2
156-2393-00	A	PP	Texas Instruments	TIBPAL16R6-15	TTL	6-19
156-2394-00	A	PP	Texas Instruments	TIBPAL16R8-15	TTL	6-19
156-2395-00		CR	Motorola Texas Instruments	MC34060P TL34060N	Linear	8-6
156-2396-00	A	CR	Texas Instruments	TL7705ACP	Special Function	7-11
156-2397-00	A	PP	Fairchild	93Z511	Memory Selection Guide	2-13
156-2398-00	A	PP	Mostek	MK48Z02-25	Memory Selection Guide	2-3
156-2399-00	A	EN	Hitachi	HM6116ASP-12	Memory Selection Guide	2-9
156-2400-00	X	CR		AD7541ABQ	Special Function	7-5

^a For ND Codes (New Design Recommendations) and Status Codes, see tab marked CODES in the back of this catalog.

^b Emergency Vendor only.

TEK PART NUMBER TO VENDOR NUMBER (cont)

Part Number	Codes ^a		Vendor	Vendor No.	Type	Page
	ND	ST				
156-2401-00		CR	Avantek	MSA-0135-11	Linear	
156-2402-00		CR	Avantek	MSA-0235-21	Linear	
156-2403-00		CR	Avantek	MSA-0335-21	Linear	
156-2404-00		CR	Avantek	MSA-0470	Linear	
156-2405-00		CR		Z8681-1ZPS	Multifunction	
156-2406-00		EN		74AS646	TTL	6-11
156-2407-00	A	CR	Intel	27256-250	Memory Selection Guide	2-15
156-2408-00	N	CR	Intel	2764A-2	Memory Selection Guide	2-14
156-2409-00		CR			TTL	
156-2410-00		CR		27513-3		
156-2411-00		CR		PAL20RA10CN	TTL	6-19
156-2412-00		CR			Special Function	7-2
156-2413-00		CR	Hamilton-Avnet	MC68B02P	Multifunction	1-3
156-2414-00		CR		Z8581-10P	TTL	6-17
156-2415-00		EN		74HC245	CMOS	3-7
156-2416-00		CR	Motorola	TL780-05CKC	Linear	8-4
156-2417-00		CR	Motorola	TL780-12CKC	Linear	8-4
156-2418-00		NP		2716	Memory Selection Guide	
156-2419-00		EN		74HC10	CMOS	3-5
156-2420-00		EN		74HC367	CMOS	3-3
156-2421-00		EN		74HC175	CMOS	3-4
156-2422-00		CS		26LS32	TTL	6-5
156-2423-00		EN		84C40-6	Multifunction	1-9
156-2424-00		EN		84C30-6	CMOS	3-3
156-2425-00		CR		TC55257PL-12	Memory Selection Guide	2-8
156-2427-00	P	PP	Texas Instruments	SN74ALS05AN/J	TTL	6-3
156-2428-00	A	CR	Texas Instruments	SN74AS153N3/J4	TTL	6-7
156-2429-00	A	PP	Texas Instruments	SN74AS756N/J	TTL	6-4 & 11
156-2430-00	A	PP	Texas Instruments	SN74AS1008N/J	TTL	6-11
156-2431-00	A	PP	Texas Instruments	SN74LS873BNT/JT	TTL	6-18
156-2432-00	A	EN	Signetics	82S131	Memory Selection Guide	2-12
156-2433-00	U	PP	Intel	82188	Multifunction	1-8
156-2434-00		DL		74AS244	TTL	
156-2435-00	A	DL	National Semiconductor	NS32032-10		1-4
156-2436-00		CR	RCA	CD74HCT32EX	CMOS	3-5
156-2437-00		CR	RCA	CD74HCT08EX	CMOS	3-5
156-2438-00		CR	Harris	CD82C52/B	CMOS	1-9
156-2441-00		CR	Burr-Brown	DAC709BH	Special Function	7-5
156-2442-00		CR	Burr-Brown	DAC811BH	Special Function	7-5
156-2443-00		CR	National Semiconductor	LM396K	Linear	8-6
156-2444-00		CR	Monolithic Memories	PAL10L8-2CN	TTL	6-19
156-2445-00		CR	Intersil	ICL8212CPA	Multifunction	1-10
156-2446-00	U	PP	NEC America	UPD4464C-20	Memory Selection Guide	2-9
156-2447-00	A	CR	Advanced Micro Devices	AM27256-25DC	Memory Selection Guide	2-15
			Intel	27256-25		
156-2448-00	A	CR	Advanced Micro Devices	AM7990DCB	Multifunction	1-7
156-2449-01		PP	Motorola	MC74HC73ND/JD	CMOS	3-4
			RCA	CD74HC73EX/FX		
			Toshiba	TC74HC73P		
156-2450-00		PP	Intel	P/D8256AH	Multifunction	1-9
156-2451-00	A	CR	Hitachi	HM6168HP-70	Memory Selection Guide	2-11
			Motorola	MCM6168P-10		
156-2452-00		PP	VLSI Technology	VF4172	Multifunction	1-5
156-2453-00	U	EN	Cadic, Inc	123C	CMOS	3-8
156-2453-01		CR	VLSI Technology	ADG007	CMOS	3-8
156-2454-00	U	CR	Univ Semic	3H-2185-AA	CMOS	3-8
156-2455-00		PP	Texas Instruments	TLC5411N3/J4	Special Function	7-2
156-2456-00		PP	Texas Instruments	SN74LS592J4/N3	TTL	6-6
156-2458-00		CR	Teledyne	TSC426CPA	CMOS	3-3
156-2459-00		PP	Analog Devices	AD667JN/+	Special Function	7-5

^a For ND Codes (New Design Recommendations) and Status Codes, see tab marked CODES in the back of this catalog.

TEK PART NUMBER TO VENDOR NUMBER (cont)

Part Number	Codes ^a		Vendor	Vendor No.	Type	Page
	ND	ST				
156-2460-00		CR	Motorola	MC1496P	Linear	8-3
156-2461-00		PP	Analog Devices	AD592AN	Special Function	7-10
156-2462-00		PP	Siliconix	D469CJ/CK	CMOS	3-3
156-2463-00		EN	Motorola	MC74HC32ND/TD	CMOS	3-5
156-2466-00		CR	Texas Instruments	TLC374CP	Special Function	7-8
156-2467-00		CR	Texas Instruments	TLC372CP	Special Function	7-8
156-2468-00	P	PP	Texas Instruments	74AS1036	TTL	6-11
156-2469-00		CR	Texas Instruments	TLC271AC	Operational Amp	8-11
156-2470-00		CR	Motorola	MC10168P/L	ECL	4-8
156-2471-00	A	CR	Advanced Micro Devices	AM7992ADCB	TTL	6-5
156-2472-00		PP	NEC America	UPD65060R033	Multifunction	1-7
156-2473-00	A	CR	NEC America	UPD4464C-20	Memory Selection Guide	2-9
			Toshiba	TC5564PL-20		
156-2475-00	U	PP	Teledyne	TSCH261JA	CMOS	3-3
156-2476-00		PP	Motorola	MC74HC4052	Special Function	7-7
			National Semiconductor	MM74HC4052N/J		
			RCA	CD74HC4052E		
			Signetics	74HC4052		
156-2477-00		PP	Intel	D82258	Multifunction	1-6
156-2478-00		CR	Hamilton-Avnet	ICM7170IPG/IJG	Multifunction	1-3
			Intersil	ICM7170CPG/IPC		
156-2479-00		CR	Advanced Micro Devices	AM27S43ADC/PC	Memory Selection Guide	2-13
156-2480-00	U	CR	Motorola	10H166LD	ECL	4-2
156-2481-00	P	CR	National Semiconductor	SN74ALS804N/J	TTL	6-11
			Texas Instruments	SN74ALS804N/J		
156-2482-00	P	CR	Texas Instruments	SN74AS240N/J	TTL	6-4 & 10
156-2483-00	A	CR	NEC America	UPD4464C-15	Memory Selection Guide	2-9
			Toshiba	TC5564PL-15		
156-2484-00	A	CR	National Semiconductor	DM74AS00N/J	TTL	6-14
			Texas Instruments	SN74AS00N/J		
156-2485-00	U	CR	Harris	HA2-5162-5	Operational Amp	8-11
156-2486-00	A	CR	Cypress	CY7C122	Memory Selection Guide	2-8
156-2487-00		CR	TRW	DDC1046J8C	Special Function	7-2
156-2488-00		CR	Fairchild	74F548PCQR/DCQR	TTL	6-8 & 9
156-2489-00		PP	National Semiconductor	ADC0831CCN	Special Function	7-2
156-2490-00		EN	Analog Devices	AD509KH	Operational Amp	8-9
			Burr-Brown	BB3507		
			Harris	HA2-2525-5		
156-2491-00		CR	XICOR	X2001P/Q	Memory Selection Guide	2-3
156-2492-00		NP		74HCT161	CMOS	3-3
156-2493-00		CR	Analog Devices	AD7528	Special Function	7-4
			Precision	PM7528		
156-2494-00	P	CR	Texas Instruments	SN74AS258N	TTL	6-7
156-2495-00	P	DL	Texas Instruments	SN74ALS569AN3/J4	TTL	6-6
156-2496-00	P	PP	Texas Instruments	74AS10N	TTL	6-15
156-2497-00	P	DL	Fairchild	74F353PCQR/DCQR	TTL	6-7
156-2499-00	P	DL	Texas Instruments	SN74AS352N/J	TTL	6-7
156-2500-00	P	CR	Texas Instruments	SN74AS1034N	TTL	6-11
156-2501-00	P	DL	Fairchild	74F181S	TTL	6-2
				PCQR/SDCQ		
156-2502-00	P	DL	Fairchild	74F182PCQR/DCQR	TTL	6-17
156-2503-00	P	CR	Fairchild	N74F259NB	TTL	6-18
			Signetics	N74F259NB		
156-2504-00	P	DL	Fairchild	74F350PCQR/DCQR	TTL	6-22
156-2505-00	P	DL	Texas Instruments	T174FPLA839CNT	TTL	6-20
156-2506-00	P	DL	Advanced Micro Devices	AM29521DCB	TTL	6-21
156-2507-00	A	CR	Cypress	CY7C122-25PC	Memory Selection Guide	2-8
156-2508-00	A	CR	Cypress	CY7C128-45	Memory Selection Guide	2-9
156-2509-00	A	CR	Cypress	CY7C291-35PC	Memory Selection Guide	2-9
156-2510-00	A	CR	Cypress	CY7C148-45PC	Memory Selection Guide	2-9

^a For ND Codes (New Design Recommendations) and Status Codes, see tab marked CODES in the back of this catalog.

TEK PART NUMBER TO VENDOR NUMBER (cont)

Part Number	Codes ^a		Vendor	Vendor No.	Type	Page
	ND	ST				
156-2511-00	U	DL	Weitek Corp	WTL1165	TTL	6-2
156-2512-00	U	DL	Weitek Corp	WTL1164	TTL	6-2
156-2513-00	A	DL	Texas Instruments	TMS2150-45	Memory Selection Guide	2-9
156-2514-00		CR	Motorola	MC1436U	Operational Amp	8-12
156-2515-00	A	CR	Motorola	MC68020RC16	Multifunction	1-4
156-2516-00		PP	Analog Devices	AD592BN	Special Function	7-10
156-2517-00	A	CR	National Semiconductor	DM86S64BWF/N	Memory Selection Guide	2-12
156-2518-00		CR	Signetics	N74F195NB/FB	TTL	6-22
156-2519-00		NP		74AS374	TTL	6-14
156-2520-00		CR	Texas Instruments	SN74AS163N3/J4	TTL	6-5
156-2521-00		EN	Texas Instruments	SN74AS850N/J	TTL	6-8
156-2522-00	A	CR	Cypress	CY7C235-40PC/DC	Memory Selection Guide	2-16
156-2523-00	A	PP	Cypress	CY7C245-45PC/DC	Memory Selection Guide	2-16
156-2524-00		CR	Unitrode	UC3842N	Linear	8-6
156-2525-00		NP		74AS867	TTL	6-6
156-2526-00	U	CR	Advanced Micro Devices Intel	AM27512-25DC D27512-25DC	Memory Selection Guide	2-15
156-2527-00		CR	Texas Instruments	SN74AS286N/J	TTL	6-17
156-2528-00	A	CR	Texas Instruments	SN74ALS1035N/J	TTL	6-4
156-2529-00		SC		9685	Special Function	
156-2530-00		SC		74F161P	TTL	
156-2536-00		CR	National Semiconductor	LM79M05CH	Linear	8-5
156-2537-00		DL		MM74HC4052	Special Function	
156-2538-00		CR	National Semiconductor Texas Instruments	DM74ALS131N/J SN74ALS131N/J	TTL	6-9
156-2539-00		EN	Signetics	N74F273N/F	TTL	6-13
156-2540-00		EN	Fairchild	74F38PC	TTL	6-3
156-2541-00		PP	Signetics Fairchild	N74F38N/F F100163DC	ECL	4-3
156-2542-00	A	CR	Signetics Intel	100163F P2764A-3	Memory Selection Guide	2-14
156-2543-00		EN	Motorola Texas Instruments	SN74LS686ND/JD SN74LS686N3/J4	TTL	6-2
156-2544-00	U	EN		74LS465	TTL	6-4
156-2545-00	U	EN	Signetics	74LS765N/F	Memory Selection Guide	2-2
156-2546-00	U	CR	Motorola	MC1372P	Linear	8-3
156-2547-00	A	CR	Texas Instruments	SN74ALS678N/J	TTL	6-2
156-2548-00	A	CR	Fairchild	74F539PC	TTL	6-9
156-2552-00		CR	Texas Instruments	SN74LS354N/J	TTL	6-8 & 21
156-2558-00		CR	Unitrode	UC7812ACT	Linear	8-4
156-2559-00		CR	Unitrode	UC7912ACT	Linear	8-5
156-2563-00		EN		MK3901M-15N	Memory Selection Guide	
156-2564-00		CM		H2093	HCMOS	
156-2565-00		CR	VLSI Technology	AD6002	CMOS	3-8
156-2566-00		CR	Cadic, Inc.	CKT141D	CMOS	3-8
156-2566-01		EN	Cadic, Inc. VLSI Technology	CKT141D VF4360-PC-CC-0002	CMOS	3-8
156-2569-00	U	CR	Motorola	MC6847YP	Multifunction	1-5
156-2570-00	U	PP	XICOR	X2444P	Memory Selection Guide	2-3
156-2571-00	U	PP	Motorola RCA	MG74HC4053N/J CD74HCH4053E	Special Function	7-7
156-2572-00	U	PP		AD574AK	Special Function	7-2
156-2573-00	A	PP	VLSI Technology	VL4500A-20PC	Memory Selection Guide	2-2
156-2574-00	U	PP	Burr-Brown	DAC709KH	Special Function	7-5
156-2575-00	A	CR	Intel	P27128A-3	Memory Selection Guide	2-15
156-2576-00		DL	National Semiconductor	LM2931CT	Linear	8-6
156-2577-00	A	PP	Linear Technology	LT100ICN8	Operational Amp	8-10
156-2578-00		CR		SP8660C	ECL	4-9
156-2580-00		EN		74HC126	CMOS	3-2
156-2581-00		EN		74HC153	TTL	6-7
156-2582-00		EN	Toshiba	TC74HC4075P	CMOS	3-5
156-2584-00		EN		74HC273	CMOS	3-4

^a For ND Codes (New Design Recommendations) and Status Codes, see tab marked CODES in the back of this catalog.

TEK PART NUMBER TO VENDOR NUMBER (cont)

Part Number	Codes ^a		Vendor	Vendor No.	Type	Page
	ND	ST				
156-2585-00		EN		DS1221		
156-2586-00		CR				
156-2587-00		EN		Z-80	Multifunction	
156-2588-00		EN		74HC221A	CMOS	3-6
156-2590-00		CR		74HC193	CMOS	3-3
156-2591-00		EN			CMOS	
156-2592-00		EN		CMOS		
156-2593-00		EN	Motorola	MC68010R8	Multifunction	1-4
156-2594-00		DL	Motorola	MC10808	ECL	4-9
156-2595-00		PP	Fairchild	11C91DC	ECL	4-4 & 9
156-2596-00		PP		2681	Multifunction	1-9
156-2597-00		PP	Motorola	MC10H135P/L	ECL	4-5
156-2598-00		PP	Motorola	MC10H113P/L	ECL	4-6
156-2599-00		PP	Motorola	MC10H123P/L	ECL	4-4
156-2600-00		PP	Motorola	MC10H165PL	ECL	4-4
156-2601-00	P	DL	Motorola	74HC4040CP/CL	CMOS	3-3
156-2602-00	A	PP	NEC America	UPD41264C-15	Memory Selection Guide	2-2
156-2603-00	U	CR	RCA	CD74HCT259E	CMOS	3-6
156-2604-00		PP	RCA	CD74HC4316E	Special Function	7-7
156-2605-00		CR	Motorola	MC74HC4051N/J	Special Function	7-7
			National Semiconductor	MM74HC4053N/J		
			RCA	CD74HC4051E		
			Signetics	74HC4051		
156-2606-00	U	EN	Plessey	SP8792	ECL	4-4 & 4-9
156-2607-00	U	EN	Motorola	MC12016P	ECL	4-9
156-2608-00	A	CR	Signetics	74F14N	TTL	6-3
156-2609-00		PP	SMC Micro	FDC9266	Multifunction	1-5
156-2610-00		PP	Motorola	MC68010-R10	Multifunction	1-4
156-2611-00		PP	Advanced Micro Devices	AM29844APC	TTL	6-18
			Texas Instruments	SN74ALS844NT		
156-2612-00		PP	Texas Instruments	SN74AS574	TTL	6-6 & 14
156-2613-00	N	CR	Texas Instruments	SN74AS573N	TTL	6-6 & 18
156-2614-00	A	PP	Motorola	MC34085AF	Operational Amp	8-11
156-2616-00		CR	Motorola	MC68881RC16	Multifunction	1-6
156-2618-00		CR	Texas Instruments	SN74ALS352N	TTL	6-7
156-2619-00	U	PP	Harris	HA7-5135-5	Operational Amp	8-10
156-2620-00		PP	Linear Technology	OP227EN	Operational Amp	8-9
			Precision	OP227-016Y		
156-2621-00	U	PP	Burr-Brown	DAC811JP	Special Function	7-5
			Harris	HI3-5811J-5		
156-2622-00		PP		M379B	Multifunction	1-5
156-2623-00		PP		M381A	Multifunction	1-8
156-2624-00		PP		M380	Multifunction	1-5
156-2625-00		PP		M382A	MOS	
156-2626-00		CR	Texas Instruments	74ALS03	TTL	6-15
156-2628-00		CR	Zilog	Z8430B	Multifunction	1-3
156-2629-00	A	CR	Texas Instruments	SN74AS30N	TTL	6-16
156-2630-00		CR	Fairchild	74F169PCQR	TTL	6-5
156-2631-00	A	DL	Advanced Micro Devices	AM27LS19	Memory Selection Guide	2-12
156-2632-00	N	CR	Advanced Micro Devices	AN27128A-1DC	Memory Selection Guide	2-15
			Intel	27128A-1		
156-2633-00		CR	Fairchild	UF759HC	Special Function	7-10
156-2634-00		CR	Signetics	N74F273N	TTL	6-6 & 13
156-2635-00		PP	Monolithic Memories	63RS1L81	Memory Selection Guide	2-13
156-2636-00		PP	Monolithic Memories	63S891	Memory Selection Guide	2-13
156-2637-00		PP	Motorola	MC10904	ECL	4-9
156-2638-00		EN	Texas Instruments	SN74AS576N	TTL	6-14
156-2639-00	A	EN	Texas Instruments	SN74AS580N	TTL	6-18

^a For ND Codes (New Design Recommendations) and Status Codes, see tab marked CODES in the back of this catalog.

TEK PART NUMBER TO VENDOR NUMBER (cont)

Part Number	Codes ^a		Vendor	Vendor No.	Type	Page
	ND	ST				
156-2640-00	A	CR	Hitachi NEC America Toshiba	HM62256P-10 UPD43256C-10 TC55257-10	Memory Selection Guide	2-4
156-2641-00	A	CR	Hitachi NEC America Toshiba	HM62256P-12 UPD43256C-15 TC55257-10	Memory Selection Guide	2-4
156-2642-00	U	PP	Oki Semiconductor	MSM6242R5	Multifunction	1-8
156-2643-00		DL		74HC32	CMOS	3-5
156-2644-00	U	PP	VLSI Technology	M414	Special Function	7-11
156-2645-00	U	PP		M386B	Multifunction	1-5
156-2646-00	U	PP		VF4160	CMOS	3-8
156-2647-00		DL	Monolithic Memories	PAL20RA10CN/CJ	TTL	6-20
156-2648-00		EN			Special Function	7-5
156-2649-00	N	DL	Teledyne Motorola	MC68881	CMOS Special Function	3-3
156-2650-00		CR		TSC427CPA		
156-2651-00		CM		MC10318L		
156-2653-00	A	EN	Texas Instruments	SN74ALS879AN	TTL	6-14
156-2654-00		CR	Motorola	SC32205LB04	ECL	4-4 & 4-9
156-2655-00		CR		ADG003	CMOS	3-8
156-2656-00		EN	Motorola	MC68HC11/SC98000	Multifunction	1-2
156-2657-00		EN	Motorola	MCP68HC24	Multifunction	1-8
156-2658-00		DL	Monolithic Memories VLSI Technology Lattice Semiconductor NEC America	4013	CMOS	6-19
156-2664-00		CR		PAL16R4BN	TTL	
156-2665-00	A	CR		VT64SK4-04 SR64K4S-45P UPD4362C-45	Memory Selection Guide	
156-2666-00	A	NP	Texas Instruments	TM4256F18-15	Memory Selection Guide	8-7
156-2667-00		CR	Exar Motorola NEC America Signetics	XR3403CP MC3403P UPC3403C M3403N	Operational Amp	
156-2668-00		PP	Intersil Sprague Sprague	IH5151CPE	Special Function	7-7
156-2669-00		PP		UCN5810A	CMOS	3-3
156-2670-00		PP		UCN5841A	CMOS	3-3
156-2671-00		PP		DS1220Y	Memory Selection Guide	2-3
156-2672-00		EN		MC145406	CMOS	3-3
156-2673-00	A	EN	Texas Instruments	PAL16R8-25J/N	TTL	6-19
156-2674-00		DL	Motorola	MCC34002	ECL	4-7
156-2676-00		PP	National Semiconductor Texas Instruments	DM74AS21N SN74AS21	TTL	6-16
156-2677-00		PP	SGS Texas Instruments Wyle Electric	TL7702AC TL7702ACP TL770ACP	Special Function	7-11
156-2678-00		EN	Altera	EP1210-2	Operational Amp Special Function	
156-2679-00		EN		UA741ETC		
156-2680-00		DL	National Semiconductor	LF311H		
156-2681-00		DL	Motorola Sprague Texas Instruments	MC1472 UDN5712M SN75477P		
156-2682-00		DL	Burr-Brown	DAC707KH	Special Function	3-5 7-10
156-2683-00		EN	RCA	CA3075	Linear	
156-2684-00		EN	RCA	CA3100	Operational Amp	
156-2685-00	A	EN	Motorola	MC74HC03N	CMOS	
156-2686-00		PP	Linear Technology National Semiconductor	LF398ANB LF398AN	Special Function	
156-2687-00		EN	Hitachi	HM65256AP	Memory Selection Guide	2-4
156-2688-00		PP	Avantek	MSA-0338-12	Linear	
156-2689-00		DL	Motorola	MC10H181	TTL	
156-2690-00		PP	Advanced Micro Devices TRW	AM29516ADC MPY016K-1J1C	TTL	6-9

^a For ND Codes (New Design Recommendations) and Status Codes, see tab marked CODES in the back of this catalog.

TEK PART NUMBER TO VENDOR NUMBER (cont)

Part Number	Codes ^a		Vendor	Vendor No.	Type	Page
	ND	ST				
156-2691-00		PP	NEC America	MM765	Linear	
156-2692-00		EN	Analog Devices	AD7118KN		4-9
156-2693-00		EN		CA3199	ECL	
156-2694-00		EN		AD7549	Special Function	7-5
156-2695-00		EN		LT1007	Operational Amp	
156-2695-01		EN		LT1007ACJ8	Operational Amp	
156-2696-00		DL		LT1007	Operational Amp	
156-2697-00		EN	Motorola	MC68705U35	Multifunction	1-2
156-2698-00		PP	Motorola	MC7805ACT	Linear	8-4
			Silicon General	SG7805ACP		
156-2699-00		DL	Silicon General	SGC7905ACP	Linear	
156-2700-00		CR	Advanced Micro Devices	D8751H	Multifunction	1-3
			Intel	C8751H-12		
156-2701-00		CR	Brooktree	BT103	Special Function	7-5
156-2702-00		CR	Exar	XR4560CP	Operational Amp	8-8
			NEC America	UPC4560C		
			Raytheon	RC4560		
156-2704-00		DL	Motorola	10179	ECL	
156-2705-00		PP	Fujitsu	MBM10484-15	Memory Selection Guide	2-7
156-2706-00		PP	Dallas Semiconductor	DS1221	CMOS	3-2
156-2707-00		EN		M74HC125	CMOS	
156-2708-00		EN		OP-27	Operational Amp	8-10
156-2709-00		EN	Cypress	CY7C291-35PC	Memory Selection Guide	2-13
156-2710-00		CR	Sprague	UCN-5895A-2	CMOS	3-3
156-2711-00		EN		27LS19	TTL	
156-2712-00		DL	Linear Technology	OP-27EN8	Operational Amp	
			Precision	OP-27-170Z		
156-2713-00		CR	Fairchild	F1600	Memory Selection Guide	2-10
			NEC America	UPD4361		
			Toshiba	TC5561-P55		
156-2714-00		PP		AD524CD		
156-2715-00		PP		HI1-507-5	Special Function	7-7
156-2716-00		CR	Texas Instruments	SN74AS1804N	TTL	6-11
156-2717-00		PP	Motorola	MC74HC154N	CMOS	3-4
156-2719-00		CR	Advanced Micro Devices	AM9761HDC	Multifunction	1-3
156-2722-00		EN	Motorola	MC10H189P/L	ECL	4-2
156-2723-00		EN		TL783CKC	Linear	8-6
156-2724-00		EN	Maxim Integrated	MAX232EPE	Multifunction	1-9
156-2727-00		EN		OP227	Operational Amp	
156-2728-00		PP	Precision	PKD-01FY		
156-2729-00		PP	Motorola	MC68B45P	Multifunction	1-5
156-2730-00		EN		AD574AKD	Special Function	7-2
156-2731-00		EN		NE565	Special Function	7-9
156-2732-00		EN		LM1875T		
156-2733-00		PP	Motorola	MC68HC11A8P	Multifunction	1-2
156-2734-00		PP	Signetics	N82S129AN/F	Memory Selection Guide	2-12
156-2735-00		PP	Motorola	MC78L12ACP	Linear	8-4
			National Semiconductor	LM78L12ACZ		
156-2736-00		EN		ICL7660	Special Function	7-4
156-2737-00		EN		MA145406		
156-2738-00		EN		1537A		
156-2739-00		CR	Motorola	MC10H161	ECL	4-9
156-2754-00		EN	Monolithic Memories	PAL16R4BCN	TTL	6-20
			Texas Instruments	TIBPAL16R4		
156-2763-00		EN		74HC138	CMOS	3-4
156-2767-00		EN		82C54	Multifunction	1-9
156-2770-00		EN		4085	ECL	4-2
156-2771-00		EN		74LS348	TTL	6-12
156-2773-00		EN		82C54	Special Function	7-11

^a For ND Codes (New Design Recommendations) and Status Codes, see tab marked CODES in the back of this catalog.

TEK PART NUMBER TO VENDOR NUMBER (cont)

Part Number	Codes ^a		Vendor	Vendor No.	Type	Page
	ND	ST				
156-2774-00		PP	Harris	CP80C88	Multifunction	1-3
156-2775-00		EN		LT1007	Operational Amp	8-10
156-2776-00		PP	Linear Technology	LT1010CT		
156-2777-00		PP		MC14072	CMOS	3-5
156-2778-00		CR	Motorola	MC14073BCL	CMOS	3-5
156-2779-00		PP		MC14194B	CMOS	3-7
156-2780-00		PP	Harris	HA3-4741-5	Operational Amp	8-12
156-2782-00		PP	Motorola	LM337H	Linear	8-6
			National Semiconductor	LM337H		
156-2783-00		EN	RCA	CD74HCT377EX	HCMOS	3-4
			Toshiba	TP74HCT377P		
156-2784-00	A	EN	Intel	P2764A-3	Memory Selection Guide	2-13
156-2785-00	A	EN	Integrated Device Technology	IDT74FCT240D	CMOS	3-2 & 3
156-2786-00	A	EN	Integrated Device Technology	IDT74FCT244D	CMOS	3-2 & 3
156-2787-00	A	EN	Integrated Device Technology	IDT74FCT245D	CMOS	3-2 & 7
156-2788-00		PP	Cypress	CY7C168-45PC	Memory Selection Guide	2-9
156-2800-00		CR	Motorola	MC10319L	Special Function	7-2
156-2802-00		PP	Fairchild	74F569PC	TTL	6-6
			Signetics	N74F569N		
156-2803-00		CR	Monolithic Memories	63S281	Memory Selection Guide	2-12
156-2804-00		CR	Harris	HA1-2539-5	Operational Amp	8-9
156-2815-00		CR	Signetics	NE572N	Linear	
156-2817-00		CR	Motorola	MC34084AP	Operational Amp	8-11
156-2818-00		CR	Sprague	UDN2585A	TTL	6-10
156-2819-00		CR	Burr-Brown	DAC-800P	Special Function	7-5
156-2841-00		EN		TC74HC139P	MOS	5-2
156-2842-00		PP	Linear Technology	LT1021CCNB-10	Linear	8-7
156-2843-00		CR	Burr-Brown	PGA102BG		
156-2848-00		PP	Harris	HA7-5002-5	Operational Amp	8-9
156-2850-00		PP	Monolithic Memories	PAL18L4CN/J	TTL	6-19
156-2851-00		CR	Motorola	MC74HC107	HCMOS	3-4
			National Semiconductor	MM74HC107N		
			Texas Instruments	SN74HC107		
156-2852-00		PP		74LS540N	TTL	6-4, 11 & 21
156-2853-00		CR	National Semiconductor	LF1333IN	Special Function	7-7
156-2854-00		CR	Texas Instruments	TLC274CN	Operational Amp	8-8
156-2855-00		EN	Texas Instruments	SN74AS74N	TTL	6-13
156-2858-00		PP	Intel	27C64	Memory Selection Guide	2-14
			National Semiconductor	27C64		
156-2859-00		PP	Signetics	74HC377N	CMOS	3-4
			Texas Instruments	SN74HC377N		
156-2860-00		EL	Telmos	TML1852-DI-P2	Special Function	7-4
156-2861-00		CR	Monolithic Memories	PAL20L8BCNS	TTL	6-19
156-2862-00		EN	Harris	HA7-5180-5	Operational Amp	8-11
156-2863-00		EN	Texas Instruments	SN74ALS540J/N	TTL	6-4, 5 & 11
156-2864-00		EN	Fairchild	74F541PC	TTL	6-4
			Signetics	N74F541N		
156-2865-00		PP	Monolithic Memories	63S281	Memory Selection Guide	2-12
156-2866-00		CR	Monolithic Memories	PAL20R6BCNS	TTL	6-19
156-2867-00		PP	Texas Instruments	SN74AS168N	TTL	6-5
156-2868-00		CR	Analog Devices	AD389BD	Special Function	7-10
156-2869-00		PP	Analog Devices	AD-ADC71KM	Special Function	7-2
			Burr-Brown	ADC71KG		
156-2870-00		PP	Analog Devices	AD7545JN	Special Function	7-5
			Micro Power Systems	MP7545J		
			Precision	PM7545-004P		
156-2871-00		PP	Analog Devices	AD7226KN	Special Function	7-4
			Precision	PM7226GP		

^a For ND Codes (New Design Recommendations) and Status Codes, see tab marked CODES in the back of this catalog.

TEK PART NUMBER TO VENDOR NUMBER (cont)

Part Number	Codes ^a		Vendor	Vendor No.	Type	Page
	ND	ST				
156-2872-00		CR	Unitrode	UC3901N	Special Function	7-11
156-2873-00		CR	Motorola	MC340812AP	Operational Amp	8-11
156-2874-00		PP	Harris	HA1-2541-4	Operational Amp	8-9
156-2875-00		PP	Analog Devices	AD539JD	Linear	8-3
156-2876-00		PP	Precision	CMP-05GZ/P	Special Function	7-8
156-2877-00		CR	Intel	D27513	Memory Selection Guide	2-15
156-2878-00		CR	Monolithic Memories	63RS1681A	Memory Selection Guide	2-13
156-2880-00		CR	Motorola	MC34083P		
156-2881-00		CR	Seeq Technology	2816A-250	Memory Selection Guide	2-16
156-2882-00		CR	NEC Electronics	UPD41464C-15	Memory Selection Guide	2-2
156-2883-00		CR	Monolithic Memories	PAL16RP4ACN	TTL	6-19
156-2884-00		EN		1013A	Linear	
156-2885-00		PP	National Semiconductor	LF411ACN	Operational Amp	8-11
156-2886-00		CR	Precision	OP-77EZ	Operational Amp	8-10
156-2887-00		CR	Precision	OP-37EZ	Operational Amp	8-10
156-2896-00		PP	Digital Equipment	78732		
156-2897-00		PP	Digital Equipment	78702		
156-2898-00		PP	Digital Equipment	78701		
156-2899-00		PP		32625-5	Operational Amp	
156-2900-00		PP	Analog Devices	AD2702LD	Linear	8-7
156-2901-00		CR	Linear Technology	LT1018CN8	Special Function	7-8
156-2904-00		CR	Advanced Micro Devices	AM27S49A-45PC/DC	Memory Selection Guide	2-13
156-2905-00		CR	Advanced Micro Devices		Multifunction	1-11
			Oki Semiconductor			
			Toshiba	TMP82C55AP-5		
156-2906-00		CR	National Semiconductor	MM74HC393N	CMOS	3-3
			Signetics	74HC393N		
156-2910-00		PP	Harris	HJ3-0303-5	Special Function	7-7
156-2911-00		EN	Cypress	CY7C168-25PC	Memory Selection Guide	2-9
156-2912-00		EN	Cypress	CY7190-25PC	Memory Selection Guide	2-8
156-2913-00		EN	Texas Instruments	TBP38S030-15N	Memory Selection Guide	2-12
156-2914-00		EN	Analog Devices	ADSP-3210KG	Multifunction	1-6
156-2915-00		EN	Analog Devices	ADSP-3220	Multifunction	1-6
156-2916-00		EN	Waferscale Integration	WS59032DG	Multifunction	1-4
156-2917-00		EN	Advanced Micro Devices	AM29112DC	Multifunction	1-3
156-2919-00		CR	Atmel Corporation	AT27C512	Memory Selection Guide	2-14
156-2920-00		EN	Advanced Micro Devices	AM29853PC/DC	Multifunction	1-10
156-2921-00		EN	Advanced Micro Devices	AM29854PC/DC	Multifunction	1-10
156-2922-00		EN	Advanced Micro Devices	AM29C833PC/DC	Multifunction	1-10
156-2923-00		EN	Advanced Micro Devices	AM29C827PC/DC	CMOS	3-2
156-2924-00		EN	Signetics	N74F377N	TTL	6-14
156-2925-00		EN	Fairchild	74F407SDC	TTL	6-21
156-2926-00		EN	Fairchild	74F573PC/DC	TTL	6-8
156-2927-00		EN	Texas Instruments	SN74AS131N	TTL	6-9
156-2928-00		EN	Texas Instruments	SN74AS174N	TTL	6-13
156-2929-00		EN	Texas Instruments	SN74AS194N	TTL	6-18 & 22
156-2930-00		EN	Texas Instruments	SN74AS245N	TTL	6-10
156-2931-00		EN	Texas Instruments	SN74AS353N	TTL	6-7
156-2932-00		EN	Texas Instruments	SN74AS760N	TTL	6-4 & 11
156-2933-00		EN	Texas Instruments	SN74ALS540N	TTL	6-4 & 11
156-2934-00		EN	Texas Instruments	PAL16R4-15CN	TTL	6-20
156-2935-00		EN	Texas Instruments	PAL16L8-15CN	TTL	6-19
156-2936-00		EN	Texas Instruments	PAL20L8-25	TTL	6-20
156-2937-00		EN	Texas Instruments	PALR19L8-25NT	TTL	6-19
156-2938-00		EN	Texas Instruments	PAL20R4-25	TTL	6-20

^a For ND Codes (New Design Recommendations) and Status Codes, see tab marked CODES in the back of this catalog.

TEK PART NUMBER TO VENDOR NUMBER (cont)

Part Number	Codes ^a		Vendor	Vendor No.	Type	Page
	ND	ST				
156-2939-00		EN	Texas Instruments	PAL20R6-25	TTL	6-20
156-2940-00		EN	Texas Instruments	PAL20R8-25	TTL	6-20
156-2941-00		EN	Texas Instruments	PAL16L8-25CN	TTL	6-19
156-2942-00		EN	Texas Instruments	PAL16R4-25CN	TTL	6-19
156-2943-00		EN	Texas Instruments	PAL20L8-15	TTL	6-20
156-2944-00		PP		7512	CMOS	3-8
156-2945-00		PP		74S138	TTL	6-9
156-2946-00		EN	Texas Instruments	TIBPAL16R8-25CN	TTL	6-19
156-2947-00		EN	Texas Instruments	PAL20R8-15	TTL	6-20
156-2948-00		EN	Texas Instruments	PAL20R4-15	TTL	6-20
156-2949-00		EN	Advanced Micro Devices	AM8151DC	Special Function	7-4
156-2950-00		PP	Texas Instruments	SN74ALS843NT	TTL	6-18
156-2951-00		EN	Cypress	CYC7281-45PC	Memory Selection Guide	2-13
156-2952-00		EN		4571A		
156-2953-00		EN	Fairchild	74F574PC	TTL	6-14
156-2954-00		EN	Texas Instruments	SN74ALS996NT	TTL	6-18
156-2955-00		EN	Mitsubishi	M5M4C264L-15	Memory Selection Guide	2-10
156-2955-01		EN	Mitsubishi	M5M4C264L-12	Memory Selection Guide	2-10
156-2957-00		PP	National Semiconductor	D53658N/J	TTL	6-12
156-2958-00		PP	Signetics	74HC193N	HCMOS	3-3
			Texas Instruments	SN74HC193N		
156-2959-00		PP		7808C	Linear	
156-2960-00		PP		7812C	Linear	
156-2961-00		PP		741	Operational Amp	
156-2962-00		EN	Oki Semiconductor	85C154VS	Multifunction	1-2
156-2963-00		EN	Texas Instruments	PAL16R6-25	TTL	6-19
156-2964-00		EN	Texas Instruments	SN74ALS233AN	Memory Selection Guide	2-3
156-2965-00		EN	Texas Instruments	SN74AS648NT	TTL	6-11 & 21
156-2966-00		EN	Texas Instruments	SN74AS880NT	TTL	6-18
156-2967-00		EN		74AS1804	TTL	6-11 & 19
156-2968-00		EN	Texas Instruments	SN74AS11N	TTL	6-15
156-2969-00		EN	Texas Instruments	PAL20R6-15	TTL	6-20
156-2970-00		EN		74LS628	Special Function	7-9
156-2971-00		PP	Signetics	N74F657N	TTL	6-11
156-2972-00		PP	Toshiba	TC511000P-12	Memory Selection Guide	2-2
156-2973-00		CR	Texas Instruments	TM4256FL8-12L	Memory Selection Guide	2-2
156-2974-00		CR		4309	Special Function	7-7
156-2975-00		EN	Signetics	N74F381N	TTL	6-2
156-2976-00		EN			Hybrid	
156-2977-00		EN			Hybrid	
156-2978-00		MP	NEC America	UPD41264-12	Memory Selection Guide	2-2
156-2979-00		PP	Logic Devices	LMU8U-1DC/PC	TTL	6-2
156-2980-00		EN		2000	HCMOS	3-3 & 4
156-2981-00		EN		74HC393	CMOS	3-3
156-2982-00		EN		27C64	Memory Selection Guide	2-14
156-2983-00		PP	Lattice Semiconductor	GAL16V8	CMOS	
156-2984-00		PP	Sony Corp	CX20051A	Special Function	7-4
156-2985-00		EN	Motorola	MC34083AP	Operational Amp	8-11
156-2989-00		EN		82C08	Memory Selection Guide	2-2
156-2991-00		EN	Dallas Semiconductor	DS1225Y	Memory Selection Guide	2-9
156-2992-00		PP	Cypress	CY7C128-35PC	Memory Selection Guide	2-9
156-2993-00		EN		PAL16R8B	TTL	6-19
156-2994-00		EN	Advanced Micro Devices	AM27S85PC	Memory Selection Guide	2-13
156-2995-00		EN		41C264-12	Memory Selection Guide	2-2
156-2996-00		EN		95C60	Multifunction	1-7
156-2997-00		EN	Fujitsu	MB81464-10PZ	Memory Selection Guide	2-2
156-2998-00		CR	Texas Instruments	SN74ALS832AN	TTL	6-11
156-2999-00		EN	Texas Instruments	TMS34010	Multifunction	1-4
156-3000-00		EN		74AS574	TTL	6-14
156-3001-00		EN	Advanced Micro Devices	AM2976PC	Multifunction	1-6
156-3002-00		EN	Toshiba	BAC84110	Multifunction	1-8

^a For ND Codes (New Design Recommendations) and Status Codes, see tab marked CODES in the back of this catalog.

TEK PART NUMBER TO VENDOR NUMBER (cont)

Part Number	Codes ^a		Vendor	Vendor No.	Type	Page
	ND	ST				
156-3003-00		EN	Toshiba	MIC84120	Multifunction	1-7
156-3004-00		EN		74HCT40	Special Function	7-9
156-3006-00		PP	National Semiconductor	NS32081/P160695	Multifunction	1-6
156-3007-00		PP	National Semiconductor	NS32016/SP160730	Multifunction	1-4
156-3008-00		PP	National Semiconductor	NS32082/SP160729	Multifunction	1-7
156-3009-00		PP	National Semiconductor	NS32C201-15	Special Function	7-11
156-3010-00		EN	Brooktree	BT458KG-75	Special Function	7-4
156-3010-01		EN	Brooktree	BT458KG-125	Special Function	7-4
156-3011-00		EN	Toshiba	TC51256F-12	Memory Selection Guide	2-2
156-3012-00		EN		20V8-25	CMOS	
156-3013-00		EN	Brooktree	BT453KC-40	Special Function	7-4
156-3015-00		EN	Zilog	Z8001BPS	Multifunction	1-4
156-3016-00		EN	Zilog	Z8002BPS	Multifunction	1-4
156-3017-00		EN		74AS573	TTL	6-18
156-3018-00		EN	Signetics	SSC2691AC1N24	Multifunction	1-9
156-3019-00		EN	National Semiconductor	LM385BZ1.2	Linear	8-7
156-3022-00		EN	Integrated Device Technology	IDT7202S120D	Memory Selection Guide	2-3
156-3023-00		PP	Motorola	MC68442RC8	Multifunction	1-6
156-3024-00		EN	Texas Instruments	UA78M05M	Special Function	
156-3028-00		EN		2526		
156-3029-00		EN		3730	Special Function	7-10
156-3030-00		PP	NCR	NCR5386	Multifunction	1-10
156-3031-00		EN	Motorola	MC68705P35	Multifunction	1-2
156-3044-00		EN		703KP	Special Function	7-5
156-3045-00		EN		7C245-35	Memory Selection Guide	
156-3048-00		EN	Cypress	CY7C128-25-PC	Memory Selection Guide	2-9
156-3049-00		EN		81C78A-45	Memory Selection Guide	2-9
156-3050-00		EN		1232	Linear	
156-3051-00		EN		65SC02	Multifunction	1-3
156-3052-00		EN		27C256	Memory Selection Guide	2-14
156-3053-00		EN		74AC00	CMOS	3-5
156-3054-00		EN		74HCT03	CMOS	3-5
156-3055-00		EN		74HCT03	CMOS	3-5
156-3056-00		EN		74HC11	CMOS	3-5
156-3057-00		EN		74HCT11	CMOS	3-5
156-3058-00		EN		74HC20	CMOS	3-5
156-3059-00		EN		74HC30	CMOS	3-5
156-3060-00		EN		74NC74	CMOS	3-4
156-3061-00		EN		74HC86	CMOS	3-5
156-3062-00		EN		74HC132	CMOS	3-5
156-3063-00		EN		74HC139	CMOS	3-4
156-3064-00		EN		74HC164	CMOS	3-7
156-3065-00		EN		74HC165	CMOS	3-7
156-3066-00		EN		74HC151	CMOS	3-4
156-3067-00		EN		74HC173	CMOS	3-8
156-3068-00		EN		74HC573	CMOS	3-6
156-3069-00		EN		74HC574	CMOS	3-4
156-3070-00		EN		74HC4002	CMOS	3-5
156-3072-00		EN		DG211CJ	Special Function	7-7
156-3073-00		EN		IH5045	Special Function	7-7
156-3075-00		EN		16K4	Memory Selection Guide	
156-3076-00		EN		74HC85	CMOS	
156-3077-00		EN		74HCT573	CMOS	3-6
156-3078-00		EN		74HC147	CMOS	3-8
156-3080-00		EN		2716-300	Memory Selection Guide	2-16
156-3081-00		EN		2732-250	Memory Selection Guide	
156-3087-00		PP			Special Function	7-5
156-3088-00		EN		2015-10	Memory Selection Guide	
156-3089-00		EN		32332-15	Multifunction	1-4
156-3090-00		EN		32382-15	Multifunction	1-7

^a For ND Codes (New Design Recommendations) and Status Codes, see tab marked CODES in the back of this catalog.

TEK PART NUMBER TO VENDOR NUMBER (cont)

Part Number	Codes ^a		Vendor	Vendor No.	Type	Page
	ND	ST				
156-3093-00		PP	APTEK Micro	2864B-25	Memory Selection Guide	
156-3094-00		PP		XR2212	Special Function	7-9
156-3095-00		PP		1013CN8	Operational Amp	8-10
156-3096-00		PP		6375	Special Function	7-6
156-3099-00		EN		74F367	TTL	6-11
156-3100-00		EN		74F126	TTL	6-3
156-3101-00		EN		MS-010-0095	CMOS	3-4
156-3102-00		EN		74AS759	TTL	6-11
156-3104-00		EN		74HC266	CMOS	3-5
156-3105-00		EN		74ALS15	TTL	
156-3106-00		EN		74HC4020	CMOS	3-3
156-3107-00		EN		74HC374	CMOS	3-4
156-3108-00		EN		74HC597	CMOS	3-7
156-3109-00		EN		68A45	Multifunction	1-5
156-3110-00		EN		74HC244	CMOS	
156-3501-00		CM	H3501	CMOS	3-2	

^a For ND Codes (New Design Recommendations) and Status Codes, see tab marked CODES in the back of this catalog.



VENDOR NUMBER TO TEK PART NUMBER

Vendor Number	Part Number	Vendor Number	Part Number	Vendor Number	Part Number
MJUMKJ	156-0615-01	OP-37EZ	156-2887-00	16K4	156-3075-00
AMP-01EX	156-2261-00	LH0042CH	156-0335-00	PAL16R4A-SN/J	156-1659-00
DAC-01C	156-0164-00	LH0042CH	156-0335-01	PAL16R4NC/JC	156-2123-00
DC010KA	156-1605-00	TL062CP/PEP	156-1291-00	PAL16R4BN	156-2664-00
MAN1	156-0126-00	DAC71-CCD-I	156-1534-01	PAL16R4A	156-2123-00
PKD-01FY	156-2728-00	DAC72-CCD-I	156-1534-00	PAL16R4BCN	156-2754-00
REF01E	156-1503-00	TL072ACP	156-1191-00	AMPAL16R4LPC/DC	156-2046-00
REF01EJ	156-1503-00	TL072ACP	156-1191-02	TIBPAL16R4	156-2754-00
STU001	156-1165-00	TL072CP	156-1191-00	PAL16R4ACN	156-2883-00
STU001	156-1165-01	TL072CP	156-1191-00	PAL16L6CJ	156-2152-00
LH002CN/A +	156-1984-00	TL074CD	156-2051-00	DMPAL16L8BNC/JC	156-2124-00
OP-02E	156-0067-05	TL074CN	156-1200-00	DMPAL16L6NC/JC	156-2152-00
REF-02CJ	156-1543-00	TL074CN/PEP	156-1200-01	PAL16R6ACN/J	156-1637-00
STU002	156-1836-00	OP-77EZ	156-2886-00	PAL16R6ACN/J	156-1637-01
STU003	156-1835-00	OP-07CJ8-R	156-1582-00	PAL16R6N/J	156-1637-00
CGR003	156-0882-00	DAC080	156-1307-00	HAL16L8A-CJ/CN	156-1809-01
STU004	156-1834-00	DAC-80-CBI-V	156-0959-00	HAL16R8ANC/JC	156-1809-01
CMP-05GZ/P	156-2876-00	DAC-80-CBI-V	156-0959-01	PAL16H8PC/DC	156-2050-00
MPOP05EZ	156-1863-01	DAC80-CCD-I	156-1409-01	PAL16R8A-2N/J	156-1658-00
OP-05BIEZ	156-1863-01	DAC80-CCD-I	156-1409-01	PAL16L8A	156-1907-00
OP-05EZ	156-1863-00	Z-80ACS	156-0983-00	PAL16L8DCN	156-1809-03
STC7	156-1833-00	Z80ACTC	156-1620-00	PAL16R8B	156-2993-00
DAC08HQ	156-1255-00	Z80A-SIO/PS/CS	156-1424-01	AMPAL16R8LPC/DC	156-2047-00
DAC-08HQDS	156-1255-01	Z80A-PIO	156-1612-00	AMPAL16R8LPC/DC	156-2048-00
DAC-08HQB	156-1255-01	Z80CPU/CS/DS	156-0983-03	PAL16R8CJ/CN	156-1658-01
MUX08FX	156-1270-00	Z80H	156-2280-00	PAL16R8NC/JC	156-1658-01
OP-08FP	156-0854-00	LMU8U-1DC/PC	156-2979-00	171J	156-0532-00
ADC-EK10B	156-1595-00	TL082	156-1470-00	DG181BA	156-1236-00
DC010-KA	156-1605-01	PGA102BG	156-2843-00	PAL18L4CN/J	156-2850-00
DAC10GX	156-1638-00	BT103	156-2701-00	IAPX188	156-2004-00
AD11	156-1367-00	OPA103-BM	156-1838-00	LF198AH	156-1789-00
LM10CN	156-1719-00	RDD104	156-1717-00	PAL20X4JC	156-2017-00
KEF11-A	156-1624-00	HAL10L8	156-1942-00	PAL20X4JC	156-2017-01
KEV11	156-0884-00	PAL10L8CJ/N	156-1801-00	PAL20X4CJ	156-2017-00
LM11CH	156-1978-00	LD110CJ	156-0476-00	PAL20X4CJ	156-2017-01
LM11CH	156-1978-01	LD111CJ	156-0477-00	DG201ACJ	156-0858-00
LM11CLH	156-1644-00	OPA111BM	156-2266-00	NATLM201	156-0027-00
SMP11FY	156-1312-00	AM112	156-0608-00	PAL20L2CN/CJ	156-2121-00
TL011	156-1955-00	DCT114Y	156-0447-00	PAL20R4ACN/CJ	156-1806-00
OP-14EP	156-1843-00	EA120	156-0215-00	PAL20R4ANC/JC	156-1806-00
MPY016R	156-2690-00	LD120CJ	156-1306-01	PAL20X4JC	156-2017-00
DAC20CQ	156-1469-00	123C	156-2453-00	PAL20R6ACN/CJ	156-1938-00
DAC20EQ	156-1493-00	MDZDM-TTL-125	156-1884-00	PAL20R6BCNS	156-2866-00
OP-20GBC	156-1588-01	PAL12H6CJ/CN	156-2237-00	PAL20L8ACJ/AJC	156-1803-01
OP-20GBC	156-1588-00	PAL12H6JN/JC	156-2237-00	PAL20L8CN/CJ	156-1803-00
LM0022CH	156-0484-00	PAL12L6CJ/CN	156-1677-00	PAL20L8BCNS	156-2861-00
DS0025CN	156-0338-00	132PGA	156-2472-00	PAL20L8NC/JC	156-1803-00
IB-25B	156-1948-00	CKT141D	156-2566-00	PAL20R8ACN/CJ	156-1805-00
IB25F	156-1947-00	CKT141D	156-2566-01	PAL20R8AN	156-1805-00
IB-25K	156-1946-00	PAL14H4CN/CJ	156-1999-00	PAL20R8ANC/JC	156-1805-00
DS0026CN	156-0328-01	DMPAL14H4NC/JC	156-1999-00	PAL20X8A	156-2084-01
DS0026CNA + /JA +	156-0328-00	PAL14L4N/J	156-1669-00	PAL20X8CN/J	156-2084-00
MMH0026C	156-0328-00	PAL14L4CN/CJ	156-1669-00	PAL20X8NC/JC	156-2084-00
MC26P	156-0028-00	UPB147D	156-1418-00	LM211H	156-1790-00
OP-27	156-2708-00	PAL14L8CJ/CN	156-1892-00	SC261D	156-0540-00
OP-27E	156-2712-00	UPC151C	156-1155-00	SG211T	156-1790-00
AD-ADC71KM	156-2869-00	UPC151D	156-0067-12	212AMODEM	156-1982-00
ADC71KG	156-2869-00	UPC151D	156-0067-13	H22A5	156-1440-00
LH0033CG	156-0475-00	HAL16L2CJ/N	156-1807-00	OP227	156-2727-00
LM33TL	156-2230-00	PAL16L2CJ/N	156-1808-00	MAX232EPE	156-2724-00

This index is arranged in numerical order, disregarding letters which appear in some vendor numbers.

VENDOR NUMBER TO TEK PART NUMBER (cont)

Vendor Number	Part Number	Vendor Number	Part Number	Vendor Number	Part Number
OP227EN	156-2620-00	LM318JG	156-0742-02	LM358N	156-0853-00
UPC251C	156-0158-06	LM318N/A +	156-0742-02	MC358AG	156-0002-00
UPC251D	156-0158-04	AM319D	156-1226-00	MC360G	156-0006-00
ATF267	156-0474-00	AM319D	156-1226-01	LM361H	156-0251-00
TLC271AC	156-2469-00	AM319D	156-2052-00	LM361N/A +	156-1324-00
TLC27L2ACP	156-2346-00	LM319F	156-1226-00	LM363AD	156-0444-01
TLC27L4ACN	156-2171-00	LM319J	156-1226-00	LM363AD/A +	156-0444-00
TLC274CN	156-2854-00	LM319H	156-0570-00	LM371H/A +	156-0251-01
TL287CP	156-1688-00	LM319HG	156-0570-01	M380	156-2624-00
TL288CP	156-1699-00	LM319J/A +	156-1226-01	SP380A	156-0255-01
AD297	156-1367-00	UPC319C	156-1784-00	SP380A	156-0255-00
DI-297N	156-0342-00	LM321AH/A +	156-0918-00	M381A	156-2623-00
LF298H	156-1791-00	LM321H	156-0420-00	M382A	156-2625-00
SP300A	156-0270-00	CY323	156-0172-00	SP381A	156-0256-00
CA301AG	156-0105-00	CY323NB/FB	156-0172-02	SP384A	156-0272-01
LA301AN/A +	156-0077-01	LM323K	156-0684-00	SP384A	156-0272-00
LM301AH	156-0077-00	CA324G	156-0495-00	AD389BD	156-2868-00
LM301AN	156-0105-00	324J	156-0495-02	SP391A	156-0254-00
LM301AN	156-0105-01	LM324	156-0495-03	LM393	156-1225-02
LM301AP	156-0105-00	LM324N	156-0495-00	LM393N	156-1225-00
LM301AJDS	156-0105-02	LM324J/A +	156-0495-02	LM393N/A +	156-1225-01
UPC301AC	156-0105-00	LS324N	156-0495-01	LM393N-B	156-1225-01
UA301AHC	156-0077-00	SG324N	156-0495-00	UPC393C	156-1778-00
LM302H	156-0060-01	UPC324C	156-0495-00	LM396K	156-2443-00
LM302H	156-0060-00	LM331N	156-1362-00	L398AH	156-1789-00
LM308	156-0223-01	LM337H	156-2782-00	LF398AN	156-2686-00
LM308AN	156-0854-00	LM337LZ	156-2223-00	LF398H	156-1370-00
LM308AJ	156-0854-01	LM337T	156-1451-00	LF398N	156-0433-00
LM308H	156-0223-00	339N	156-0411-01	LM399	156-0783-00
LM308H +	156-0223-00	CA339G	156-0411-00	LM399H	156-0783-00
LM308N	156-0512-00	LM339J/A +	156-0411-02	LM399H/A +	156-0783-01
LM308DEB	156-0512-02	LM339JDS	156-0411-02	LM399H-R	156-0783-01
LM308DEB	156-0512-03	LM339N	156-0411-00	IT400	156-1471-00
LM308N	156-0512-01	UA339DCQR	156-0411-02	407BDCQR	156-0574-02
LM308J	156-0512-02	UPC339C	156-0411-00	UHP-408	156-1528-00
SG308Y	156-0512-02	UPC339C	156-1783-00	DAC411	156-0415-00
SG308Y	156-0512-03	LF347N	156-1200-00	LF411ACN	156-2885-00
SG308AY	156-0854-00	LF347N	156-1200-02	MC411P	156-0119-00
LM309KC	156-0176-00	LF347N/A +	156-1200-01	LF412ACN	156-1688-00
UA309KC	156-0176-00	LM350T	156-1967-00	LF412CN	156-1699-00
LM311	156-0096-01	LF351N	156-1149-00	TSC426CPA	156-2458-00
LM311	156-1126-03	LF351N/A +	156-1149-01	TSC426JJA	156-2475-00
LM311H	156-0096-00	LF351NDS	156-1149-01	TL431C-LP	156-1631-00
LM311H/A +	156-0096-02	LF352D	156-1391-00	UA431WC	156-1631-00
LM311JG4	156-1126-01	MC352G	156-0007-00	TL442CN	156-0517-00
LM311L	156-0096-00	LF353N	156-1191-00	TL442CN	156-0517-01
LM311P	156-1126-00	LF353N/A +	156-1191-01	UPD444	156-1429-01
SG311	156-0096-02	MC354G	156-0004-00	UPD444C	156-1429-00
SG311M	156-1126-00	LF355H	156-1772-00	UPC451C	156-0105-03
SG311T	156-0096-00	MC355G	156-0008-00	STK457	156-1653-00
SG311Y	156-1126-01	LF356	156-0770-01	UPC458C	156-1265-00
UPC311C	156-1126-00	LF356H	156-0770-00	D469CJ/CK	156-2462-00
DAC312FR	156-1589-00	LF356H/A +	156-0770-02	MSA-470	156-2404-00
SP317A	156-0271-00	LF356L	156-0770-00	TL474N	156-1627-00
LM317LZ	156-1529-00	LF356N	156-1156-00	UA474PC	156-1627-00
LM317T	156-1161-00	LF356N/A +	156-1156-01	TL494	156-1477-00
LM318	156-0742-01	MC357G	156-0003-00	UC494AN	156-1627-00
LM318	156-0742-03	LM358F	156-0853-02	SG501P	156-0208-01
LM318N	156-0742-00	LM358J	156-0853-02	AD509KH	156-2490-00
LM318P	156-0742-00	LM358N	156-0853-01	TLP51-1	156-1897-00

This index is arranged in numerical order, disregarding letters which appear in some vendor numbers.

VENDOR NUMBER TO TEK PART NUMBER (cont)

Vendor Number	Part Number	Vendor Number	Part Number	Vendor Number	Part Number
AD521KD	156-1564-00	TL710CP	156-0134-00	TAA790	156-0286-00
NE521N/SUPRII-B	156-1339-00	UA715C	156-0151-00	Z80A-SIO/ICS	156-1424-00
NE522	156-1468-00	UA722	156-0082-00	ADDAC80-2CBI-I	156-1443-00
AD523J	156-0516-00	723C	156-0071-01	DAC-800P	156-2819-00
UC526N	156-1585-02	723HM	156-0699-00	ADC801LDC/A+	156-1533-00
NE527D	156-1971-00	LM723CH	156-0053-00	HDG-0805	156-2060-00
NE529K	156-0251-00	LM723CH/A+	156-0053-01	N8T06N	156-0379-00
NE529K	156-0251-01	LM723CJ	156-0071-00	N8T06NB/FB	156-0379-02
NE529N	156-1324-00	LM723J	156-0071-03	N8T09ANB/FB	156-0851-02
NE531NB	156-0511-01	LM723H	156-0699-01	N8T09	156-0851-01
NE531H	156-0122-00	SG723CJ	156-0071-00	N8T09A	156-0851-00
NE531N	156-0511-00	SG723CJ	156-0071-02	N8T13BF	156-0273-00
NE531N-IIB	156-0511-02	SG723CT	156-0053-01	N8T15A	156-0997-00
NE531V	156-0122-01	SG723T	156-0699-01	N8T16N/F	156-0995-00
NE532	156-0853-00	TL072ACP/ACP3	156-1191-01	MC817P	156-0018-00
AD536AJH	156-1457-01	TL072ACP3	156-1191-01	N8T20B	156-0298-01
AD536AJH	156-1457-02	UA723PCQR	156-0071-02	N8T20N/F	156-0298-00
AD539JD	156-2875-00	UA723HMQB	156-0699-01	8T22NB/FB	156-0081-02
AD542JH	156-1492-00	UA723DC	156-0071-00	MC822P	156-0019-00
AD542LH	156-1741-00	SG723J	156-0071-03	N8T22N/F	156-0081-00
AD542LH	156-1741-01	LM725C	156-0685-01	MC824P	156-0020-00
AD545KH	156-1838-00	LM725C	156-0685-02	MC825P	156-0050-00
AD545KH	156-1838-01	LM725CNA+	156-0685-03	8T26AF	156-0996-00
TLP545J	156-2056-00	LM725CN	156-0685-00	8T26ALD	156-0996-01
AD547LH	156-2266-00	UA727HC	156-0260-00	8T26F	156-0996-00
LM555CJ	156-0402-03	733C	156-0074-01	N8T26AF	156-0996-00
LM555CN	156-0402-00	733C	156-0162-01	N8T26AF	156-0996-01
LM555CN/A+	156-0402-02	LM733CN/A+	156-0162-02	N8T26AFB	156-0996-01
NE555	156-0402-01	UA733DC	156-0162-00	831-BE	156-0014-00
TLC555CP	156-1408-02	UA733C	156-0074-00	N8T37B	156-0683-01
SG555CY/CM	156-0402-00	741	156-2961-00	N8T37N/F	156-0683-00
UA555TC	156-0402-00	741C	156-0067-04	ADC0844	156-1965-00
AD561J	156-0967-00	741C	156-0067-05	CR859N	156-0067-02
AD565AJD	156-1329-00	741C	156-0067-07	MC867P	156-0064-00
NE565	156-2731-00	A741C	156-0049-01	883B	156-0700-00
NE572N	156-2815-00	AD741KN	156-0067-08	883B	156-0811-00
AD574AKD	156-2730-00	CA741CE	156-0067-11	883B	156-1226-01
AD580LH	156-0937-00	CA741CT	156-0049-00	883BIPA	156-1408-00
AD581JH/+	156-1249-00	CA741S	156-0700-01	MC889P	156-0021-00
AD589JH	156-1586-00	LM741CN/CJ	156-0067-03	MC889P	156-0021-01
AD590KH	156-0443-00	LM741CH/A+	156-0049-02	MC890P	156-0044-00
AD590L	156-0443-01	LM741H	156-0700-00	MC890P	156-0044-01
TL594CN	156-1627-00	MICROA741CP	156-0067-00	MC891P	156-0059-00
604	156-3046-00	UA741CJG	156-0067-06	MC892P	156-0045-00
UPC616A	156-1396-00	UA741CN-B	156-0067-01	8T95F	156-1018-00
637J	156-3096-00	UA741CN-B	156-0067-10	MC8T95L	156-1018-00
H650	156-2702-00	UA741CJG	156-0067-12	MC8T95LDS	156-1018-01
DAC660	156-1024-00	UA741CP	156-0067-00	8T97F	156-0998-00
AM685HL	156-0362-00	UR741ETC	156-2679-00	MC8T97L	156-0998-00
AM685HL-B	156-0362-01	UA741MJG	156-0974-00	N8T97FB	156-0998-01
AM687	156-1474-00	UA741RC	156-0067-12	8T97LDS	156-0998-01
MC689P	156-0790-00	UA741HCQR	156-0049-02	MC8T98L	156-0999-00
DD700	156-0284-00	UA741TC	156-0067-00	N8T98FB	156-0999-01
703KP	156-3044-00	UPC741C	156-0067-00	8T98LDS	156-0999-01
DAC707KH	156-2682-00	UPC741C	156-0067-02	NMC930	156-2085-00
709C	156-0287-00	NA747C	156-0183-00	936	156-1082-00
RC709T	156-0015-00	UA759HC	156-2633-00	9N37DC	156-0591-00
UA709HC	156-0015-00	MM765	156-2691-00	944	156-1081-00
LM710CH	156-0013-00	UPD765AC/D	156-1412-00	CUL958	156-0005-00
MICROA710CN	156-0134-00	TL783CKC	156-2723-00	960DC	156-0001-00

This index is arranged in numerical order, disregarding letters which appear in some vendor numbers.

VENDOR NUMBER TO TEK PART NUMBER (cont)

Vendor Number	Part Number	Vendor Number	Part Number	Vendor Number	Part Number
9S74DC	156-0331-02	LM1391N	156-1147-02	MC1596G	156-0130-01
1001JBC	156-1590-00	MC1391P	156-1147-01	F1600	156-2713-00
MC1001P	156-0023-00	MC1391P	156-1147-00	1601	156-0133-00
TCD1001J	156-1590-01	ER1400	156-1566-00	1602A	156-0346-00
DAC-100ACQ4	156-0137-00	MC1403AUDS	156-1439-00	S1602P/E	156-0361-03
MC1004P	156-0024-00	MC1403P	156-1166-00	PAL16R4A-2CJ/CN	156-1659-00
MC1006P	156-0054-00	MC1403UDS	156-1173-00	DMPAL16R4-A-4NC/JC	156-2138-00
1007JICS	156-1345-00	MC1405L	156-0751-00	PAL16R4A-4CN/CJ	156-2138-00
LT1007	156-2695-00	MC1407L	156-0571-00	SP1648BDP/BDG	156-0266-00
LT1007	156-2696-00	MC1408L	156-0509-02	MC1648P/L	156-0266-00
LT1007	156-2775-00	MC1410G	156-1271-00	MC1648PD/LD	156-0266-01
LT1010CT	156-2776-00	MC1436CG	156-0400-00	MC1650L	156-0333-00
MC1010	156-0025-01	MC1436U	156-2514-00	MC1650L	156-0333-01
MC1010P	156-0025-00	MC1437P	156-0066-00	SP1650DG	156-0333-01
MC1011P	156-0332-00	MC1440G	156-0207-00	SP1651B	156-0705-00
MC1012P	156-0022-00	MC1456	156-0200-01	MC1658P/L	156-0224-00
1013A	156-2884-00	MC1456N	156-0200-00	MC1660L	156-0282-00
MC1016P	156-0265-00	MC1456 P1	156-0200-00	MC1660L	156-0282-01
DAC1020LCD/A+	156-0719-01	MC1456U	156-0200-02	MC1660LD	156-0282-02
MCS1020	156-0394-00	CA1458G	156-0158-05	MC1660S	156-0063-00
MC1023	156-0056-00	LM1458J	156-0158-04	SP1660B	156-0282-00
LT1033CK	156-2160-00	LM1458N/A+	156-0158-07	SP1660BDG	156-0282-01
C1034	156-0258-00	MC1458	156-0158-02	SP1660BDG	156-0282-02
MC1035P	156-0457-00	MC1458	156-0158-03	SP1661DP/DG	156-0225-00
MC1040P	156-0253-00	MC1458D	156-2053-00	DS1662DIE	156-2297-00
MC1043P	156-0344-00	MC1458N	156-0158-00	MC1662L	156-0226-01
PAL10L8-2CN	156-2444-00	MC1458N/B	156-0158-01	MC1662L	156-0226-03
1101A	156-0135-00	MC1458P1DS	156-0158-01	MC1662LD	156-0226-02
11C01	156-1650-01	UA1458TC/RC	156-0158-00	MC1662P/L	156-0226-00
11C01	156-1650-02	UPC1458C	156-0158-00	SP1662DP/DG	156-0226-00
11C01FC	156-1650-00	MC1469R	156-0052-01	MC1663L	156-0348-00
SLD1105	156-1268-00	MC1469R	156-0052-00	SP1663DG	156-0348-00
F11C06DC	156-0377-00	MC1472	156-2681-00	MC1664LD	156-0227-01
DS1121	156-2706-00	MC1488	156-0879-00	MC1664P/L	156-0227-00
1123	156-0288-00	MC1488L	156-0879-02	PAL16R6A-4CN	156-2105-00
11C58	156-0224-01	MC1488LD	156-0879-01	SP1664BDP/DG	156-0227-00
WTL1164	156-2512-00	DS1489J	156-0878-00	MC1666L	156-0334-00
WTL1165	156-2511-00	DS1489JA+	156-0878-01	MC1668L	156-0343-00
TDA1170	156-1693-00	MC1489L	156-0878-00	SP1668DG	156-0343-00
TDA1170S	156-1693-03	MC1489L	156-0878-02	1669L	156-0204-01
TDA1170SH	156-1693-01	MC1489LDS	156-0878-01	1669L	156-0204-02
ULN1170W	156-1693-02	1495L	156-0407-01	MC1669L	156-0204-00
DA1200HCB	156-1184-00	MC1495L	156-0407-00	SP1670DG	156-0228-00
DAC1200	156-1184-02	MC1495LDS	156-0407-02	MC1672L	156-0353-00
DAC1200HCD	156-1184-01	1496T	156-0130-01	MC1672LD	156-0353-01
PAL12L10	156-1802-00	LM1496P	156-0130-03	SP1672B	156-0353-00
AD1211HCD	156-1571-00	MC1496G	156-0130-01	PAL16R8A-2CN/CJ	156-1658-00
DS1220Y	156-2671-00	MC1496G	156-0130-00	PAL16R8A-2N/J	156-1658-00
DS1221	156-2585-00	MC1496L	156-1927-00	PAL16L8A-2JN/JC	156-1809-00
DS1221	156-2706-00	MC1496P	156-0130-03	PAL16L8-4CN	156-1937-00
1232	156-3050-00	MC1496P	156-2460-00	PAL16L8-4CN/CJ	156-1809-02
MDS1240	156-0428-00	MC1514L	156-1056-00	1692DG	156-0307-01
QC1313A	156-0500-00	1537A	156-2738-00	MC1692L	156-0307-00
MC1317L	156-0510-00	MC1550G	156-0069-00	MC1692LD	156-0307-01
LF1333IN	156-2853-00	C1555	156-0402-00	SP1692DG	156-0307-00
MC1350P	156-1709-00	CA1558G	156-1607-00	MC1697P	156-0923-00
MC1355P	156-0902-00	MC1558JG	156-1607-00	1702A	156-0380-00
MC1357	156-0906-00	MC1558U	156-1607-00	MC1711CL	156-0116-00
MC1372P	156-2546-00	UA1558RM	156-1607-00	MC1723CL	156-0071-00
CA1391E	156-1147-00	MC1594L	156-0461-00	MC1723CLDS	156-0071-02

This index is arranged in numerical order, disregarding letters which appear in some vendor numbers.

VENDOR NUMBER TO TEK PART NUMBER (cont)

Vendor Number	Part Number	Vendor Number	Part Number	Vendor Number	Part Number
MC1741CGDS	156-0049-02	TMM2147	156-1228-00	2533V	156-0485-00
1765	156-0246-00	D2148HL	156-1580-00	2533V	156-0485-01
WD1770	156-2041-00	CM2150N	156-0871-00	UND2585A	156-2818-00
CDP1802AD	156-1280-00	2D158	156-1443-00	AM26S02PC/DC	156-1195-00
TBP18S22	156-0960-00	2186	156-1734-00	AM26S02PC/DC	156-1195-00
C01836	156-0239-00	XR-2208	156-2119-00	AM26S02PCB/DCB	156-1195-01
C01837	156-0240-00	X2210	156-1959-00	2607FN	062-4178-00
C01838	156-0242-00	AMPAL22P10PC/DC	156-2250-00	AM26S10PCB/DCB	156-1747-00
C01839	156-0237-00	PAL22V10A	156-2250-01	AM26S12APC	156-0483-00
C01840	156-0238-00	XR2212	156-3094-00	AM26S12PCB/DCB	156-0483-01
C01841	156-0236-00	MC2257L	156-0491-01	N2616N	062-4179-00
TBP18S42	156-1372-01	MC2257L	156-0491-00	AM26LS31DCB	156-1681-00
TBP18S42	156-1372-00	MC2259L	156-0492-00	DL26LS31JA +	156-1681-00
C01842	156-0243-00	MC2259L	156-0492-01	2632FN	062-4172-00
C01843	156-0241-00	ULN2270Q	156-1693-00	26LS32	156-2422-00
LM1848N	156-1401-00	ULN2270W	156-1693-02	AM26LS32PC/DCB	156-1315-00
CDP1857D	156-1279-00	SYC2316A	062-4558-00	DS26L32NA + /JA +	156-1315-00
LM1875T	156-2732-00	SYC2332	062-4170-00	2650A	156-0986-00
2000	156-2980-00	SYP2332	156-1420-00	2650	156-0986-01
X2001P/Q	156-2491-00	UPD2332	156-1780-00	SCN2650	156-0986-02
SLD2004	156-1306-00	SYC2333	062-4670-00	2653I/N	156-1572-00
SLD2005	156-1268-01	SYP2333	062-4670-01	S2657	156-0877-01
PAL20L10NC	156-2049-00	SYC2364	062-5457-00	SCN2661BI	156-1460-00
PAL20L10CN/CS	156-2049-00	KR2376-STP	156-0168-00	27LS00DC	156-0984-00
PAL20L10CJ/N	156-2049-00	MCS2400	156-1238-00	AM27LS00DCB/PCB	156-1357-00
PAL20X10CN/CJ	156-1804-00	2413	156-0279-00	AD2702LD	156-2900-00
PAL20X10N	156-1804-01	2413	156-0279-01	AM27LS03	156-0599-00
TDA2030H	156-1760-00	X2444P	156-2029-00	AM27LS03DCB	156-0599-01
TDA2030A	156-1924-00	X2444P	156-2570-00	AM27S03DM	156-1189-01
REF02-040Z	156-1437-00	AM2502CPE/CJE	156-1456-00	AM27S03J	156-1189-00
OP02-083P	156-0067-08	AM2502PC/DC	156-1456-00	AM27S03ADCB	156-1633-00
ULN2083	156-0259-00	DM2502CN/J	156-1456-00	CY27S02PC	156-0339-02
H2093	156-2564-00	AM2503	156-2212-00	2704	156-0689-00
2101	156-0698-01	AM25L04PC/DC	156-1792-00	AM2708DC	156-0708-00
2101	156-1052-00	25S08	156-1049-01	27LS08	156-0305-04
2102	156-0291-00	AM25S08DC	156-1049-00	2716	156-2418-00
2102AN	156-0291-01	AM25S09DCB	156-1634-00	D2716	156-1017-00
2102AN	156-0291-00	2510K	156-0167-00	2716	156-1377-00
2102AN	156-0893-00	2510K	156-0167-01	2716	156-1378-00
2102F	156-0893-01	2511K	156-0154-00	2716	156-1379-00
2102F	156-0893-02	2513	156-0147-01	2716	156-1380-00
2102FPC/DC	156-0893-00	2513	156-0401-01	AM2716	156-1017-00
2102LFPC/DC	156-0291-00	2513N	156-0300-00	D2716	156-1017-00
2102N	156-0291-00	2513N	156-0423-01	MBM2716	156-1017-00
2104	156-0972-04	2513N	156-0423-01	TMS2716JL	156-1101-00
SLD2105	156-1305-00	2513NX	156-0263-00	AM27S18DC	156-0305-00
2114	156-1028-00	2513NX	156-0401-01	AM27LS19	156-2631-00
2114	156-1028-02	AM25LS14DBC	156-1866-00	AM27S19	156-1814-01
C2114AL	156-1461-01	2516N	156-0871-00	AM27S19	156-1814-02
INT2114L	156-1127-01	25S18	156-1062-01	AM27S19DC	156-1814-00
2115AL	156-1178-00	AM25S18DC	156-1062-00	AM27S29DC	156-1462-00
2115AL	156-1178-01	AN25S18DCB	156-1062-02	AM27S29APC/DC	156-2224-00
CD2115A	156-1278-00	AM25LS22PCB/DCB	156-1481-00	2732	156-1403-00
H2121	156-2651-00	2526	156-3028-00	AM2732DC	156-1403-00
OP02-129E	156-0067-12	SC2528	156-0227-01	AM2732/DC	156-1651-00
2D131	156-0958-00	2530N	156-0364-00	D2732	156-1403-00
2D131	156-0958-01	2530N	156-0378-00	D2732A	156-1625-00
AC2140	156-0986-02	2530N	156-0378-01	D2732A	156-1625-01
2147	156-1228-01	2530N	156-0378-02	D2732A	156-1625-02
CD2147H	156-1228-00	N2530	062-4533-00	D2732A	156-2143-00

This index is arranged in numerical order, disregarding letters which appear in some vendor numbers.

VENDOR NUMBER TO TEK PART NUMBER (cont)

Vendor Number	Part Number	Vendor Number	Part Number	Vendor Number	Part Number
MBM2732	156-1403-00	LM301AJG4	156-0105-02	LM340T-5	156-0277-00
AM27S33APC/DC	156-2225-00	LM301AJG4	156-0105-04	MC3405P	156-1284-00
AM27S35PC/DC	156-2226-00	CA3015	156-0017-00	MC3410	156-0927-01
AM27S41ADC	156-2149-00	EA3021	156-0209-00	MC3410	156-0927-03
AM27S43ADC/PC	156-2479-00	CA3028A	156-0033-00	MC3410CF/F	156-0927-00
2764	156-1939-00	CA3028A	156-0033-01	MC3410CF/F	156-0927-02
AM2764ACD	156-2196-00	CA3030	156-0136-00	MC3410CL	156-0927-00
OP27GJ81R	156-1851-00	CA3030AE	156-0108-00	MC3410CL	156-0927-05
AM2764DC	156-1652-00	CA3030X	156-0136-01	MC3410CLD	156-0927-02
27C64	156-2958-00	BB3041B	156-0370-00	MC3410CLDS	156-0927-04
27C64	156-2982-00	CA3051	156-0095-00	LM341P-5.0TB	156-1263-00
D2764	156-1652-00	CA3051	156-0099-00	SG3423AY	156-1266-00
D2764A	156-2196-00	CA3075	156-2683-00	3430	156-0546-00
27S85	156-2858-00	CA3080	156-0356-00	MC3431P	156-1647-00
2796	156-3001-00	CA3080E	156-0912-00	3440	156-1219-01
TMS2797NL	156-1983-00	CA3080EX	156-0912-01	3440P	156-1219-03
AM2802PC	156-0329-00	CA3080EX	156-0912-02	MC3440AP	156-1219-00
MSA2834	156-1665-00	CA3080TX	156-0356-01	MC3440P	156-1219-02
AM2855	156-0453-01	LM3080N/A +	156-0912-01	3441P	156-0600-01
AM2855PCB/DCB	156-0453-03	3083	156-0259-03	MC3441NDS/JDS	156-0600-02
AM2857	156-1039-00	LM308J-8	156-0512-03	MC3441P	156-0600-00
AM2857	156-1039-01	LM308J-8	156-0512-03	XCM3441	156-0300-00
AM2857	156-1039-02	LM308J-8DS	156-0512-02	MC3446P	156-0849-00
S2876	156-1202-00	CA3100	156-2684-00	MC3448	156-1133-01
TBP28S86N	156-1438-00	CA3130S	156-0686-00	MC3448	156-1133-02
AM2901BDC	156-1043-00	CA3130	156-0686-01	MC3448AP/AL	156-1133-00
AM2901BDC	156-1043-01	CA3130E	156-0686-03	CC3449N	156-0652-03
AM2901CDCB	156-1043-03	CA3130SX	156-0686-02	MC3459	156-0740-02
AM2901DCB	156-1043-02	CA3140	156-1134-02	MC3459CL/CP	156-0740-00
MC2901ALC	156-1043-00	CA3140AE	156-1134-01	MC3459	156-0740-01
MC2901ALD	156-1043-02	CA3140EX	156-1134-00	MC3460	156-0634-00
AM2908DCB/PCB	156-1618-00	CA3140S	156-0921-00	MC3460	156-0634-01
AM2909ACD	156-1029-01	CA3140TX	156-0921-02	3487	156-2244-00
AM2909ADC	156-1029-00	LM314P-5.0TB	156-1263-00	3501AJ	156-0208-00
IDM2909AJC	156-1029-00	LM3146N	156-0197-00	H3501	156-3501-00
IDM2909AJC	156-1029-01	CA3160E	156-1114-00	SG3503 Family	156-1173-00
MC2909LC	156-1029-00	UPB3Z198R	156-1715-00	BB3507	156-2490-00
AM2910A	156-2070-00	CA3199	156-2693-00	3508J	156-0317-00
AM2910DC	156-1355-00	UPB3Z199R	156-1716-00	SG3524BN	156-0933-02
AM2910DCB	156-1355-01	ADSP-3210KG	156-2914-00	SG3525AN	156-2024-00
IDM2910AJ	156-1355-00	ADSP-3220	156-2915-00	UC3525AN	156-2024-00
IDM2910AJ/A +	156-1355-01	CA3240E	156-1422-00	3526J	156-1585-00
MC2910L	156-1355-00	CA3240E	156-1422-01	SG3526J	156-1585-01
AM2911ADC	156-1209-00	3242	156-0965-01	UC3526J	156-1585-00
AM2911ADCB	156-1209-01	D3242	156-0965-00	UC3526N/J	156-1585-02
IDM2911ADC	156-1209-00	D3242	156-0965-02	LF3574	156-0429-00
IDM2911AJC	156-1209-01	MC3242AL	156-0965-00	3627AM	156-2781-00
MC2911LC	156-1209-00	MC3242ALD	156-0965-02	DS3651J/N	156-1647-00
MC2911LDS	156-1209-01	LM324NJ4	156-0495-02	DS3662	156-2297-00
AM2927DCB	156-1857-00	D3245	156-0992-00	DS3691NA + /JA +	156-1316-00
LM2931CT	156-2576-00	3258DDC	156-0363-00	PAL3717	156-1964-00
AM2940DC	156-1565-00	CA3280	156-1472-00	3730	156-3029-00
AM2942DCB	156-1385-00	EA3304	156-0210-00	MB3752	156-1846-00
AM2950DC	156-1389-00	3341ADC	156-1346-00	MB3759	156-1848-00
AM2952DCB	156-1839-00	3341DC	156-0421-00	MB3759	156-1627-00
AMD2952	156-1952-00	BB3401B	156-0370-00	CC3807H	156-0122-00
AM2953DCB	156-1738-00	UPC3403C	156-2667-00	3814DC	156-0306-00
AM2964BDCB	156-1749-00	XR3403CP	156-2667-00	CM3840	156-0263-00
AM2965DCB	156-1869-00	MC3403P	156-2667-00	UC3842N	156-2524-00
AM2966DCB	156-1740-00	MC3403N	156-2667-00	3850PC/DC	156-1218-00

This index is arranged in numerical order, disregarding letters which appear in some vendor numbers.

VENDOR NUMBER TO TEK PART NUMBER (cont)

Vendor Number	Part Number	Vendor Number	Part Number	Vendor Number	Part Number
F3853DC	156-1241-00	CD4010JA+	156-0504-02	4025DC	156-0575-00
MC3853P	156-1241-00	4011BDC	156-0350-01	CD4025BFX	156-0575-03
SCM3865P/L	156-0772-00	4011BDCQR	156-0350-03	CD4025UBF	156-0575-05
SCM3866P/L	156-0773-00	CD4011BCJ	156-0350-04	4027	156-0525-01
SCM3867P/L	156-0774-00	CD4011BF	156-0350-04	4027DC	156-0525-00
SCM3868P/L	156-0775-00	C4011UBF	156-0350-00	4027DC	156-0525-02
SCM3869P/L	156-0776-00	CD4011UBFX	156-0350-02	CD4028BF	156-0756-00
F3871EPC	156-1242-00	CD4011BFX	156-0350-06	CD4028BFX	156-0756-01
MK3871P	156-1242-00	CD4011BFX	156-0350-05	SC4029B	156-1159-00
DS3896NA +	156-2216-00	SIL4011UBF	156-0350-00	4035A	156-0580-00
DS3897NA +	156-2217-00	SIL4011UBF	156-0350-04	4035BDCQR	156-0580-02
LM3900N	156-1016-00	4012	156-0793-01	CD4035A	156-0580-01
UC3901N	156-2872-00	CD4012BFX	156-0793-02	CD4035BFX	156-0580-02
LM3914N	156-2384-00	CD4012BF	156-0793-00	4035P	156-0198-00
EA4000	062-4497-00	4013	156-0366-01	4040BCD	156-0545-00
EA4000	156-0293-00	CD4013BF	156-0366-00	4040BDCQR	156-0545-01
EA4000	156-0293-01	CD4013BFX	156-0366-02	CD4040AE	156-0581-00
EA4000	156-0293-03	CD4013BFX	156-0366-03	CD4040BFX	156-0545-01
EA4000	156-0294-01	HEF4013BTD	156-0294-00	CD4042BF	156-0800-00
4001A	156-0349-02	4014DC	156-0568-00	CD4042BFX	156-0800-01
4001B	156-0349-04	4014DWQR	156-0568-01	MC4044	156-0124-00
CD4001BCJ	156-0349-05	CD4015BF	156-0801-00	MC4044	156-0124-01
CA4001BCJ/A +	156-0349-06	CD4015BFX	156-0801-01	MC4044PDS/LDS	156-0124-02
CD4001BF	156-0349-05	HEF4015BTD	156-2127-00	MC4048P	156-0159-00
CD4001BFX	156-0349-06	4016	156-0289-00	MC4048P	156-0159-01
CD4001CJ	156-0349-00	CD4016	156-0289-01	4049	156-0494-01
CD4001UBF	156-0349-00	CD4016A	156-0802-00	CD4049UBF	156-0494-00
CD4001UBFX	156-0349-03	CD4016AF	156-0289-00	CD4049UBFX	156-0494-02
EA4001	156-0711-00	CD4016BFX	156-0289-02	4050	156-0330-01
EA4001	156-0296-00	CD4016CJ	156-0289-00	CD4050BF	156-0330-00
EA4001	156-0296-01	CD4016CJ	156-0802-00	CD4050BFX	156-0330-02
HEF4001BPN	156-0349-01	MM4016CJ/A +	156-0289-02	4051	119-0848-00
HEF4001BTD	156-2125-00	MM4017BCJ	156-0799-00	4051	156-0513-01
SIL4001BF	156-0349-05	4018P	156-0202-01	4051BDC	156-0513-00
CD4002BF	156-0754-00	CD4018BF	156-0519-00	CD4051BFX	156-0513-02
CD4002BFX	156-0754-02	CD4018BFX	156-0519-01	CD4051CJA +	156-0513-02
L4002	156-0754-01	MC4018ND/JD	156-0202-02	TMS4051JL	156-0924-00
D4004	156-0803-00	MC4018P/L	156-0202-00	4052BDC	156-0514-02
INS4004	156-0803-00	CD4019BCJA +	156-1352-00	4052BF	156-0514-00
4006DC	156-0681-00	CD4019BFX	156-1352-00	D4052	156-0514-03
4006BDCQR	156-0681-02	CD4020BFX	156-0895-01	CD4052BFX	156-0514-01
CD4006	156-0681-01	TL40H20R	156-1764-00	4053B	156-0515-04
MK4006P	156-0179-01	4021BDCQR	156-0576-02	CD4053BF	156-0515-00
S4006	156-0179-00	CD4021BF	156-0576-00	CD4053BF	156-0515-03
CD4007AE/F	156-0352-00	CD4021BFX	156-0576-02	CD4053BFX	156-0515-02
HD4007A	156-1774-00	HEF4021BTD	156-2128-00	CD4066AE	156-0644-01
4008	156-0502-01	CD4022BFX	156-1369-00	CD4066BF	156-0644-02
CD4008BF	156-0502-00	MC4022PL	156-0372-00	CD4066BFX	156-0644-03
CD4008BFX	156-0502-02	TC4022BP	156-1421-00	TC4069BP	156-0745-02
D/C4008	156-0868-00	4023	156-0524-01	CD4069UBF	156-0745-00
INS4008P/J	156-0868-01	CD4023BF	156-0524-00	CD4069UBFX	156-0745-01
4009	156-0503-01	CD4023BFX	156-0524-02	4070	156-0786-01
CD4009CJ/A +	156-0503-02	4024BDC	156-0523-01	CD4070BFX	156-0786-02
CD4009UBF	156-0503-00	CD4024BFX	156-0523-01	CD4070BY	156-0786-00
CD4009UBFX	156-0503-02	MC4024	156-0121-01	MM4070J/A +	156-0786-02
D/C4009	156-0867-00	MC4024P	156-0121-00	CD4071BF	156-1340-00
INS4009P/J	156-0867-00	MC4024PDS/LDS	156-0121-02	CD4071BFX	156-1340-01
4010	156-0504-01	TMS4024NC	156-0499-00	UPC4072C	156-1191-00
CD4010BF	156-0504-00	TMS4024NC	156-0499-01	UPC4072C	156-1191-01
CD4010BFX	156-0504-02	4025BDCQR	156-0575-04	UPC4074C	156-1200-00

This index is arranged in numerical order, disregarding letters which appear in some vendor numbers.

VENDOR NUMBER TO TEK PART NUMBER (cont)

Vendor Number	Part Number	Vendor Number	Part Number	Vendor Number	Part Number
UPC4074C	156-1200-01	4511BDCQR	156-0795-01	TLP521-1BL	156-2054-00
CD4075BFX	156-1480-00	CD4511BFX	156-0795-01	MM5213	062-4592-00
MM4075BCJA +	156-1480-00	CD4512BFX	156-1486-00	MM5213N/J	156-1087-00
4076BDCQR	156-0574-02	4516BDC	156-0582-00	MM5213NZF/N	156-0354-00
CD4078BFX	156-1320-00	4516BDCQR	156-0582-03	MM5214	062-4585-00
CD4081BF	156-1478-00	CD4516BFX	156-0582-02	MM5214N	156-0618-00
CD4081BFX	156-1478-01	CD4520BF	156-0579-00	MM5214N	156-0619-00
HEF4081BTD	156-2129-00	MM4521BCJA +	156-0864-00	MM5214N	156-0620-00
CD4082BFX	156-1787-00	CD4520BP	156-0579-03	MM5214N	156-0621-00
HEF4082BTD	156-2130-00	4528D	156-0578-00	M5218L	156-1771-00
MCI4082BCLD	156-1787-00	4528DCQR	156-0578-02	MM5243	062-4590-00
VF4083	156-2381-00	RC4531NB	156-0511-00	MM5280D	156-1000-00
4085	156-2770-00	RL4531NB	156-0511-01	SHC5320KH	156-2348-00
4085BDC	156-0925-01	CD4532BF	156-1282-00	5321N	156-0946-01
CD4085BF	156-0925-00	CD4532BF	156-1282-02	MM5321N	156-0946-00
CS4085BFX	156-0925-02	TC4532BP	156-1282-01	IN5336A	156-3024-00
4086BDCQR	156-0753-01	CD4555BF	156-1368-00	MM5369AA/N	156-1337-00
CD4086BF	156-0753-00	4556BDC	156-0898-00	NCR5385E	156-2082-00
CD4086BFX	156-0753-01	4556DCQR	156-0898-01	5386	156-3030-00
4093	156-0961-01	CD4556BFX	156-0898-01	SNC5400J	156-0843-00
4093B	156-0961-03	NE4558D	156-2053-00	SNC5401J	156-0805-00
CD4093RF	156-0961-00	RC4560	156-2702-00	SNC5402J	156-0806-00
CD4093BFX	156-0961-02	4571A	156-2952-00	SNC5404J	156-0807-00
HEF4093BTD	156-2131-00	4650	156-2702-00	5406	156-0808-01
CD4094BF	156-0796-00	UPC4560C	156-2702-00	SNC5406J	156-0808-00
CD4094BFX	156-0796-01	XR4560CP	156-2702-00	SNC5408J	156-0809-00
CD4094BH	156-0796-02	4702BDC	156-0850-00	SNC5410J	156-0810-00
TMS4100	156-0102-00	4702BCDQR	156-0850-02	DM5411J	156-0811-00
TMS4100	156-0103-00	TMS4732	062-4182-00	SNC5412J	156-0812-00
TMS4100	156-0104-00	TMS4732J/D	062-4182-00	SNC5413J	156-0813-00
VF4101	156-2380-00	TMS4732N	062-4182-01	SNC5416J	156-0814-00
D411D-2	156-1000-00	MK4801A	156-1575-00	SNC5417J	156-0815-00
UPD4116C	156-0968-03	4804A	156-0943-00	SNC5420J	156-0816-00
RC4131	156-0070-00	EMM4804A/L	156-0943-01	SNC5425J	156-0817-00
UPD41D-3/C3	156-1353-00	4907	110-1011-00	SNC5426J	156-0818-00
416-2	156-0968-00	AD5001B	156-0958-00	TDS5427	156-1590-00
VF4172	156-2452-00	MK5002P	156-0408-00	MM54C2J	156-0766-02
RC4194DC	156-0496-00	CY5004	156-1532-00	SNC5430J	156-0819-00
RC4194DC	156-0496-01	MIC5007P	156-0409-00	SNC5437J	156-0820-00
RM4194DC	156-1308-00	MK5007N/P	156-0409-00	SNC5438J	156-0821-00
RM4194DC	156-1308-01	MK5009P/N	156-0410-00	SNC5442AJ	156-0822-00
SG4194CJ	156-0496-00	MK5009	156-0410-01	SNC5473J	156-0823-00
MB4204	156-1847-00	IH5010CJD/CDD	156-1256-00	SNC5474J	156-0824-00
S4216	062-4502-00	NE5018NB	156-1311-01	SNC5475J	156-0825-00
S4241	156-0947-02	NE5018N	156-1311-00	SN54S74J	156-0331-02
S4244	156-1427-01	CRT5027	156-1386-00	SNC5476J	156-0826-00
S4264	062-4499-00	CRT5027C	156-1386-01	SNC54H87J	156-0842-00
S4264	156-1288-00	SND5027	156-1386-00	SNC5493J	156-0827-00
S4264	156-1289-00	SND5027D/C	156-1386-01	MP5510	156-1532-00
S4264	156-1290-00	IH5151CPE	156-2668-00	TC5516APL	156-1706-00
4275B	156-1872-00	HA5033	156-1984-00	TC5516AP	156-1632-00
D4289	156-1113-00	S5037	156-1356-00	TC5517APL	156-2015-00
P4289	156-0796-00	TC5037P	156-1419-00	NE5532FE-IIB	156-1272-00
4309	156-2974-00	MM5055N	156-0453-00	NE5532N	156-1272-01
UPC4359C	156-1816-00	HA-5160	156-2214-01	XR5532CN	156-1272-00
S4393	156-1416-00	HA5162	156-2214-01	XR5532P	156-1272-01
S4447	156-1088-01	TDS5180	156-1345-00	NE5533N	156-1446-00
UPD446D-2	156-1781-00	MM5203Q	156-0463-00	NE5533F	156-1446-02
EDH4464	156-1953-00	5204	156-0528-00	NE5533AN	156-1446-01
4511BDC	156-0795-00	5205	156-3047-00	XR-5533N	156-1446-02

This index is arranged in numerical order, disregarding letters which appear in some vendor numbers.

VENDOR NUMBER TO TEK PART NUMBER (cont)

Vendor Number	Part Number	Vendor Number	Part Number	Vendor Number	Part Number
NE5534AN	156-1338-01	MCM6581L	156-0952-00	MC68B45P	156-2729-00
NE5534N	156-1338-00	MCM6581	156-0952-01	MC6847YP	156-2569-00
NE5534N-B	156-1338-02	MCM6590L	062-4591-00	6850DCQR	156-0658-01
NE5534P	156-1338-00	MCM6604	156-0862-01	F6850PC/DC	156-0658-00
XNE5534CK	156-0904-00	6605	156-1047-01	MC6850P/L	156-0658-00
XR5534CN	156-1338-02	6605AL	156-0573-00	MC6850SP	156-0658-01
NE5561N	156-1799-00	S6623	156-1417-00	S6850C/D	156-0658-01
IM5604CJE	156-1146-00	S6624	156-0965-00	S6850P/C	156-0658-00
IM5610CJE/CPE	156-0785-00	S6625	156-0965-02	MC68B50P/L	156-1206-00
MM5610AJ	156-0504-00	ITS6637	156-0223-00	S68B50P/E/C	156-1206-00
CM5611	156-0364-00	S6699	156-1598-00	S6852E	156-1013-00
MM5611BCJA+	156-0350-05	6800	156-0426-01	S6866	156-1603-00
MM5617BJA+	156-0799-01	6800	156-0426-02	MC6875P/L	156-1086-00
5625A	156-0575-01	68B00	156-1253-00	MC6880	156-0996-00
N5710V	156-0134-01	F6800S	156-0426-00	MC6880ALD	156-0996-01
UDN5712M	156-2681-00	MC68B00L	156-0426-04	C6885	156-1018-00
MM5740AAC/D	156-1153-00	MC6800S	156-0426-00	MC6887	156-0998-00
UNC5810A	156-2669-00	MC6800LD	156-0426-05	MC6888	156-0999-00
MM5837N	156-1433-00	S68B00	156-0426-04	TA6993	156-1115-00
UCN5841A	156-2670-00	S6800E	156-0426-00	LL7000	062-7418-00
AD6002	156-2565-00	MC68B01G	156-1940-00	LS7031	156-1411-00
AM6012PC	156-1589-00	F6802S	156-1342-00	S7049	156-1127-00
DAC60-12	156-1024-00	S6802D/D	156-1342-00	MB7071H	156-1578-00
DAC60-12	156-1024-01	MC68B02P	156-2413-00	MB7072E	156-1297-00
MM6055	156-0337-00	MC6802S/L	156-1342-00	MB7072N	156-1297-01
AM6080APC	156-1886-00	MC6803U4G	156-1969-00	MC7086C	156-1224-00
AM6080PC	156-1555-00	S68A08P	156-1342-01	7089H	156-1972-00
SL6083	156-0001-00	68B09D/E	156-1494-01	IC7106CPL	156-1483-00
XR6118	156-1649-00	MC68B09ES/L	156-1720-00	CL7107CPL	156-1435-00
UDN6118A	156-1649-00	MC68B09S/L	156-1494-00	ADA7118KN	156-2892-00
HM6147	156-1228-00	MC68B09S/L	156-1494-01	CY7C122	156-2486-00
HM6147P	156-1894-00	S68B09D/E	156-1494-00	S7127	156-1461-00
MSM6242RS	156-2642-00	MCM6810LDS	156-0716-01	S7129	156-1281-00
MM6300N	156-0486-00	MCM6810S	156-0716-00	ICM7170CPG/IJG	156-2478-00
64S02IPL	156-1310-01	MCM68B10SD	156-1591-00	ICM7170IPG/IJG	156-2478-00
64S02IPL	156-1310-02	S6810-A	156-0716-00	7201D/C	156-1656-00
IM-6402IPL	156-1310-00	MC68HC11	156-2656-00	OP07203Z	156-1582-00
R6502AP/AC	156-1425-01	6820	156-0427-01	ICM7213IPD	156-1274-00
R6502P/C	156-1425-00	6820	156-0427-02	CM7218AJI	156-1621-00
R65C02	156-1985-00	6820PC/DC	156-0427-00	ICM7218A	156-1473-00
SYP/SYC6502	156-1425-00	MC6820L/P	156-0427-00	ICM7218A	156-1473-01
SYP/SYC6502A	156-1425-01	S6820P/E	156-0427-00	ICM7218BIP	156-1622-00
65SC02	156-3051-00	SY6820P/D	156-0427-00	AD7226KN	156-2871-00
6504	156-1482-00	6821PIA	156-0427-03	ICM7226BIPL	156-1655-00
R6504P/C	156-1482-00	F6821DC	156-0427-03	PM7226G	156-2871-00
SYP/SYC6504	156-1482-00	F68B21P	156-1205-00	UPD7261	156-2042-00
6508	156-1060-00	MC6821L	156-0427-03	7400	156-0030-01
HM6514	156-1301-01	MC6821LD/PD	156-0427-04	7400	156-0030-02
SY6520P/D	156-0427-00	MC68B21P/L	156-1205-00	7400J	156-0549-00
R6522AP	156-1539-00	MC68B21SBL	156-1205-01	7400J	156-0549-01
R6522AP	156-1986-00	S6821P/E/C	156-1205-00	7400PC/DC	156-0030-00
SYP6522	156-1539-00	MC68HC24P	156-2657-00	7400PCQR/DCQR	156-0030-03
65SC22	165-2265-00	6831BC/E	062-4171-00	7400RCQR/DCQR	156-0180-04
6531	062-4584-00	6831BP	062-4171-01	MC7400ND/JD	156-1707-00
R6545EAP	156-1785-01	MCM6832L	062-4177-00	N7400NB/FB	156-0030-03
AN6551	156-1423-00	MC6840PDS/LDS	156-1549-00	N7400N/F	156-0030-00
R6551AP	156-1987-00	MC68B40L/P	156-1426-00	SN7400N/J	156-0030-00
HM6562	156-0887-01	MC6844P/L	156-1458-00	SN7400NP3/JP4	156-0030-03
MCM6571A	156-1168-00	MC6844PDS/LDS	156-1458-01	74AC00	156-3053-00
6575	156-0950-01	68A45	156-3109-00	SN74ALS00AY	156-2091-01

This index is arranged in numerical order, disregarding letters which appear in some vendor numbers.

VENDOR NUMBER TO TEK PART NUMBER (cont)

Vendor Number	Part Number	Vendor Number	Part Number	Vendor Number	Part Number
DM74ALS00	156-2091-01	N7402A	156-0043-00	DM74S03N	156-0303-00
SN74ALS00AN3/J4	156-2091-00	N7402F/N	156-0551-00	DM74S03NA + /JA +	156-0303-01
DM74AS00N/J	156-2484-00	N7402NB/FB	156-0043-03	N74S03A	156-0303-00
DM74AS00NA +	156-2319-00	SN7402J/N	156-0551-00	N74S03NB/FB	156-0303-01
SN74AS00N/J	156-2484-00	SN7402N	156-0043-00	SN74S03N	156-0303-00
SN74AS00N3/J4	156-2319-00	SN7402NP3/JP4	156-0043-03	SN74S03NP3/JP4	156-0303-01
MM74C00J	156-0941-00	SN74ALS02N3/J4	156-2092-00	7404	156-0058-01
MM74C00JA + /NA +	156-0941-01	SN74AS02N3/J4	156-2327-00	7404J	156-0552-00
74F00PCQR/DCQR	156-1707-00	SN74AS02N3/J4	156-2343-00	7404J	156-0552-01
CD74HC00EX/FX	156-2256-00	DM74AS02NA/J4	156-2343-00	7404PC	156-0058-00
SN74HC00N3/J4	156-2256-00	74F02NB/FB	156-1743-00	7404PCQR/DCQR	156-0058-02
74L00	156-0113-01	74F02PCQR/DCQR	156-1743-00	N7404A	156-0058-00
74L00	156-0113-02	MC74F02ND/JD	156-1743-00	N7404NB/FB	156-0058-02
DM74L00N	156-0113-00	MC74HC02N/J	156-2026-00	SN7404N	156-0058-00
DM74L00NA +	156-0113-03	SN74L02N/J	156-0268-01	SN7404NP3/JP3	156-0058-02
SN74L00N	156-0113-00	DM74L02N/J	156-0268-01	N7404NB/FB	156-0058-02
SN74L00NA +	156-0113-03	DM74L02N/J	156-0268-00	SN74ALS04N3/J4	156-2094-00
74LS00	156-0382-01	SN74L02N/J	156-0268-00	DM74AS04NA +	156-2323-00
74LS00PC/DC	156-0382-00	74LS02	156-0383-01	SN74AS04N3/J4	156-2323-00
74LS00PCQR/DCQR	156-0382-02	74LS02PC/DC	156-0383-00	74F04	156-1616-00
DM74LS00N/J	156-0382-00	74LS02PCQR/DCQR	156-0383-02	74F04PCQR/DCQR	156-1722-00
DM74LS00NA + /JA +	156-0382-00	DM74LS02N/J	156-0383-00	MC74F04ND/JD	156-1722-00
N74LS00N/F	156-0382-00	N74LS02N/F	156-0383-00	N74F04NB/FB	156-1722-00
N74LS00NB/FB	156-0382-02	N74LS02NB/FB	156-0383-02	DM74H04N	156-0189-00
SN74LS00N/J	156-0382-00	SN74LS02NDS/JDS	156-0383-02	SN74H04N	156-0189-00
SN74LS00NDS/JDS	156-0382-02	SN74LS02NP3/JP4	156-0383-02	MC74HC04N/J	156-2027-00
SN74LS00NP3/JP4	156-0382-02	SN74LS02N/J	156-0383-00	MC74HCU04P	156-1852-00
SN74LS00NP3/JP4	156-0382-03	74S02	156-0690-00	MCC74HCU04	156-1954-00
74S00	156-0180-01	74S02	156-0690-01	MM74HCU04	156-1954-00
74S00	156-0180-02	72S02PCQR/DCQR	156-0690-03	MM74HCU04N	156-1852-00
74S00PC/DC	156-0030-00	DM74S02NA + /JA +	156-0690-03	74L04	156-0292-01
74S00PC/DC	156-0180-00	N74S02NB/FB	156-0690-03	DM74L04N/J	156-0292-00
74S00PCQR/DCQR	156-0180-00	SN74S02J/N	156-0690-02	74LS04	156-0385-01
DM74S00N/J	156-0180-00	SN74S02NP3/JP3	156-0690-03	74LS04PC/DC	156-0385-00
DM74S00NA + /JA +	156-0180-04	7403	156-0186-01	74LS04PCQR/DCQR	156-0385-02
N74S00N/F	156-0180-00	7403PC	156-0186-00	DM74LS04NA + /JA +	156-0385-02
N74S00NB/FB	156-0180-04	7403PCQR/DCQR	156-0186-02	DM74LS04N/J	156-0385-00
SN74S00N	156-0180-03	DM7403N	156-0186-00	N74LS04N/F	156-0385-00
SN74S00N/J	156-0180-00	ITT7403N	156-0186-00	N74LS04NB/FB	156-0385-02
SN74S00NP3/JP4	156-0180-04	N7403A	156-0186-00	SN74LS04N/J	156-0385-00
7401J	156-0550-00	N7403NB/FB	156-0186-02	SN74LS04NDS/JDS	156-0385-02
7401J	156-0550-01	SN7403N	156-0186-00	SN74LS04NP3/JP4	156-0385-02
7401PC/DC	156-0057-00	SN7403NP3/JP4	156-0186-02	74S04	156-0323-00
7401PCQR/DCQR	156-0057-02	74ALS03	156-2626-00	74S04	156-0323-01
DM7401N/J	156-0057-00	DM74ALS03NA + /JA +	156-2390-00	74S04	156-0323-03
DM7401NA + /JA +	156-0057-02	SN74ALS03ND/JD	156-2390-00	DM74S04NA + /JA +	156-0323-02
SN7401N/J	156-0057-00	SN74ALS03N3/J4	156-2390-00	N74S04NB/FB	156-0323-02
SN7401N	156-0057-01	74HC03	156-2685-00	SN74S04NP3/JP4	156-0323-02
SN7401NP3/JP4	156-0057-02	74HCT03	156-3054-00	7405	156-0092-01
DM74ALS01ND/JD	156-2332-00	74HCT03	156-3055-00	7405PC/DC	156-0092-00
SN74ALS01N3/J4	156-2332-00	74LS03	156-0384-01	7405PCQR/DCQR	156-0092-02
7402	156-0043-01	74LS03PC/DC	156-0384-00	DM7405N	156-0092-00
7402	156-0043-02	74LS03PCQR/DCQR	156-0384-02	DM7405NA + /JA +	156-0092-02
7402J	156-0551-01	DM74LS03N/J	156-0384-00	N7405A	156-0092-00
7402PC	156-0043-00	DM74LS03NA + /JA +	156-0384-02	N7405NB/FB	156-0092-02
7402PC/DC	156-0551-00	SN74LS03NDS/JDS	156-0384-02	SN7405N	156-0092-00
7402PCQR/DCQR	156-0043-03	SN74LS03N/J	156-0384-00	SN7405NP3/JP4	156-0092-02
DM7402J/N	156-0551-00	SN74LS03NP3/JP4	156-0384-02	SN74ALS05N3/J4	156-2427-00
DM7402N	156-0043-00	74S03PC	156-0303-00	74H05	156-0922-01
DM7402NA + /JA +	156-0043-03	74S03PCQR/DCQR	156-0303-01	74H05PC/DC	156-0922-00

This index is arranged in numerical order, disregarding letters which appear in some vendor numbers.

VENDOR NUMBER TO TEK PART NUMBER (cont)

Vendor Number	Part Number	Vendor Number	Part Number	Vendor Number	Part Number
DM74H05N/J	156-0922-00	74LS08PCQR/DCQR	156-0480-02	SN74LS10NP3/JP4	156-0386-02
N74H05N/F	156-0922-00	DM74LS08N/J	156-0480-00	74S10	156-0321-01
SN74H05N/J	156-0922-00	DM74LS08NA + /JA +	156-0480-02	74S10PC	156-0321-00
SN74H05NP3/JP4	156-0922-02	N74LS08NB/FB	156-0480-02	74S10PCQR/DCQR	156-0321-02
74LS05	156-0724-01	N74LS08N/F	156-0480-00	DM74S10N	156-0321-00
74LS05N/J	156-0724-00	74LS08	156-0480-01	DM74S10NA + /JA +	156-0321-02
74LS05PC/DC	156-0724-00	SN74LS08N/J	156-0480-00	N74S10A	156-0321-00
74LS05PCQR/DCQR	156-0724-02	SN74LS08ND/JDS	156-0480-02	N74S10NB/FB	156-0321-02
DM74LS05N/J	156-0724-00	SN74LS08NP3/JP4	156-0480-02	SN74S10N	156-0321-00
DM74LS05NA + /JA +	156-0724-02	74S08	156-0459-01	SN74S10NP3/JP4	156-0321-02
N74LS05N/F	156-0724-00	74S08PC/DC	156-0459-00	7411	156-0163-01
N74LS05NB/FB	156-0724-02	74S08PCQR/DCQR	156-0459-02	7411DC	156-0612-00
SN74LS05N/J	156-0724-00	N74S08N/F	156-0459-00	7411J	156-0612-01
SN74LS05N3/J4	156-0724-02	N74S08NB/FB	156-0459-02	7411PC	156-0163-00
SN74LS05NDS/JDS	156-0724-02	SN74S08N/J	156-0459-00	7411PCQR/DCQR	156-0163-02
74S05	156-0403-01	SN74S08NP3/JP4	156-0459-02	DM7411N	156-0163-00
74S05PC/DC	156-0403-00	7409PC/DC	156-0460-00	DM7411NA + /JA +	156-0163-02
74S05PCQR/DCQR	156-0403-02	7409PCQR/DCQR	156-0460-01	N7411A	156-0163-00
DM74S05N/J	156-0403-00	DM7409N/J	156-0460-00	N7411F	156-0612-00
DM74S05NA + /JA +	156-0403-02	DM7409NA + /JA +	156-0460-01	N7411NB/FB	156-0163-02
N74S05N/F	156-0403-00	SN7409N/J	156-0460-00	SN7411J	156-0612-00
N74S05NB/FB	156-0403-02	SN7409NP3/JP4	156-0460-00	SN74ALS11JD/ND	156-2176-00
SN74S05N/J	156-0403-00	SN74S09N3/J4	156-1286-00	SN74ALS11N3/J4	156-2176-00
SN74S05NP3/JP4	156-0403-02	74LS09	156-0728-01	SN74AS11N	156-2968-00
7406	156-0153-01	74LS09PCQR/DCQR	156-0728-02	74F11NB/FB	156-1663-00
7406J	156-0611-01	N74S09NB/FB	156-1286-00	74F11PCQR/DCQR	156-1663-00
7406PCQR/DCQR	156-0153-00	DM74LS09N/J	156-0728-00	MC74F11ND/JD	156-1663-00
N7406NB/FB	156-0153-00	SN74LS09N/J	156-0728-00	74HC11	156-3056-00
SN7406N	156-0153-00	SN74LS09NDS/JDS	156-0728-02	74HCT11	156-3057-00
SN7406J	156-0611-00	SN74LS09NP3/JP4	156-0728-02	74LS11	156-0481-01
SN7406NP3	156-0611-02	7410	156-0047-01	74LS11PC/DC	156-0481-00
7407PC/DC	156-1080-00	7410J	156-0553-00	74LS11PCQR/DCQR	156-0481-02
7407PCQR/DCPR	156-1080-01	7410J	156-0553-01	DM74LS11N/J	156-0481-00
DM7407NA + /JA +	156-1080-01	7410PC	156-0047-00	DM74LS11NA + /JA +	156-0481-02
HD7407	156-1943-00	DM7410N	156-0047-00	N74LS11N/F	156-0481-00
SN7407N/J	156-1080-00	DM7410NA + /JA +	156-0047-02	N74LS11NB/FB	156-0481-02
SN7407NP3/JP4	156-1080-01	F7410PCQR/DCQR	156-0047-02	SN74LS11N/J	156-0481-00
7408	156-0129-01	N7410A	156-0047-00	SN74LS11NDS/JDS	156-0481-02
7408J	156-0588-01	N7410NB/FB	156-0047-02	SN74LS11NP3/JP4	156-0481-02
7408J	156-0588-00	SN7410N	156-0047-00	74S11	156-0320-00
7408PC/DC	156-0129-00	SN7410NP3/JP4	156-0047-02	74S11	156-0320-01
7408PCQR/DCQR	156-0129-02	74ALS10NA +	156-1832-01	74S11PCQR/DCQR	156-0320-03
DM7408N/J	156-0129-00	DM74ALS10NA +	156-1832-00	N74S11NB/NF	156-0320-03
N7408N/F	156-0129-00	SN74ALS10N3/J4	156-1832-00	SN74S11NP3/JP4	156-0320-03
N7408NB/FB	156-0129-02	74AS10N	156-2496-00	7412	156-0144-01
SN7408N/J	156-0129-00	MM74C10J	156-0938-00	7412J	156-0587-00
SN7408N/J	156-0129-02	MM74C10NA + /JA +	156-0938-01	7412J	156-0587-01
SN74ALS08N3/J4	156-2113-00	74F10NB/FB	156-1752-00	7412PC/DC	156-0144-00
DM74ALS08	156-2113-01	74F10NDS/JDS	156-1752-00	7412PCQR/DCQR	156-0144-02
SN74ALS08	156-2113-01	74F10PCQR/DCQR	156-1752-00	DM7412NA + /JA +	156-0144-02
DM74AS08NA +	156-2321-00	74HC10	156-2419-00	N7412N/J	156-0144-00
SN74AS08N3/J4	156-2321-00	74LS10	156-0386-01	N7412NB/FB	156-0144-02
74C08	156-0577-01	74LS10PC/DC	156-0386-00	SN7412N/J	156-0144-00
DM74C08NA + /JA +	156-0577-02	74LS10PCQR/DCQR	156-0386-02	SN7412NP3/JP4	156-0144-02
MM74C08J	156-0577-00	DM74LS10N/JA +	156-0386-00	SN74ALS12N/J	156-2177-00
74F08NB/FB	156-1723-00	DM74LS10N/JA +	156-0386-02	SN74ALS12ND/JD	156-2177-00
74F08PCQR/DCQR	156-1723-00	N74LS10N/F	156-0386-00	MM74L2ACG	156-1207-00
MC74F08ND/JD	156-1723-00	N74LS10NB/FB	156-0386-02	MM74L2ACGD	156-1207-01
CD74HCT08EX	156-2437-00	SN74LS10N/J	156-0386-00	74LS12	156-0722-01
74LS08PC/DC	156-0480-00	SN74LS10NDS/JDS	156-0386-02	74LS12PC	156-0722-00

This index is arranged in numerical order, disregarding letters which appear in some vendor numbers.

VENDOR NUMBER TO TEK PART NUMBER (cont)

Vendor Number	Part Number	Vendor Number	Part Number	Vendor Number	Part Number
DM74LS12N	156-0722-00	7416J	156-0585-01	N74S20NB/FB	156-0304-02
DM74LS12NA + /JA +	156-0722-02	7416PC	156-0093-00	SN74S20NP3/JP4	156-0304-02
N74LS12A	156-0722-00	7416PCQR/DCQR	156-0093-02	7421	156-0297-00
SN74LS12N	156-0722-00	DM7416N	156-0093-00	7421	156-0297-01
SN74LS12NDS/JDS	156-0722-02	N7416	156-0093-00	7421PCQR/DCQR	156-0297-02
SN74LS12NP3/JP4	156-0722-02	N7416NB/FB	156-0093-02	N7421NB/FB	156-0297-02
7413	156-0149-01	SN7416J	156-0585-00	DM74ALS21NA +	156-2239-00
7413A	156-0149-00	SN7416N	156-0093-00	SN74ALS21N3	156-2239-00
7413J	156-0586-00	SN7416NP3/JP4	156-0093-02	74H21DC	156-1050-00
7413J	156-0586-01	7417	156-0140-01	DM74H21J	156-1050-00
7413PC	156-0149-00	7417J	156-0589-01	SN74H21J	156-1050-00
7413PCQR/DCQR	156-0149-02	7417PC	156-0140-00	74LS21	156-0478-00
DM7413N	156-0149-00	7417PCQR/DCQR	156-0140-02	74LS21PCQR/DCQR	156-0478-02
DM7413NA + /JA +	156-0149-02	DM7417N	156-0140-00	DM74LS21NA + /JA +	156-0478-02
N7413NB/FB	156-0149-02	N7417A	156-0140-00	N74LS21NB/FB	156-0478-02
SN7413N	156-0149-00	N7417NB/FB	156-0140-02	SN74LS21NDS/JDS	156-0478-02
SN7413NP3/JP4	156-0149-02	SN7417J	156-0589-00	SN74LS21P3/JP4	156-0478-02
UA741CP3	156-0067-01	SN7417N	156-0140-00	74LS22	156-0538-00
UA741CP3	156-0067-10	SN7417NP3/JP4	156-0140-02	74LS22	156-0538-01
74LS13	156-1276-01	7418	156-0203-00	74LS22PCQR/DCQR	156-0538-02
DM74LS13N/J	156-1276-00	7418	156-0203-01	DM74LS22NA + /JA +	156-0538-02
SN74LS13N/J	156-1276-00	7420	156-0534-01	N74LS22NB/FB	156-0538-02
7414	156-0462-00	7420J	156-0554-00	SN74LS22NP3/JP4	156-0538-02
7414	156-0462-01	7420PC	156-0034-00	74S22PC/DC	156-0404-00
7414PC	156-0462-00	7420PC/DC	156-0554-00	DM74S22N/J	156-0404-00
7414PC/DC	156-0462-02	7420PCQR/DCQR	156-0034-02	N74S22N/F	156-0404-00
7414PCQR/DCQR	156-0462-00	DM7420J/N	156-0554-01	SN74S22N/J	156-0404-00
DM7414NA +	156-0462-02	DM7420N	156-0034-00	SN74S22N/P3	156-0404-01
N7414NB/FB	156-0462-02	N7420A	156-0034-00	7425	156-0165-00
SN7414NP3/JP4	156-0462-02	N7420F/N	156-0554-00	7425	156-0165-01
MM74C14N/J	156-0876-00	N7420NB/FB	156-0034-02	7425J	156-0590-00
MM74C14JA +	156-0876-01	SN7420J/N	156-0554-00	7425J	156-0590-01
UA741CJG4	156-0067-13	SN7420N	156-0034-00	7425PCQR/DCQR	156-0165-02
74F14N	156-2608-00	SN7420NP3/JP4	156-0034-02	N7425NB/FB	156-0165-02
MC74HC14ND/JD	156-2392-00	SN74ALS20AN3/J4	156-2101-00	SN7425NP3/JP4	156-0165-02
74LS14	156-0645-01	SN74ALS20ND/JD	156-2101-00	7426	156-0112-01
74LS14	156-1363-00	DM74AS20NA +	156-2340-00	7426PC	156-0112-00
74LS14PC/DC	156-0645-00	SN74AS20N3/J4	156-2340-00	7426PCQR/DCQR	156-0112-02
74LS14PCQR/DCQR	156-0645-02	74F20NB/FB	156-1957-00	DM7426N	156-0112-00
SN74LS14NP3/JP4	156-0645-03	74F20NDS/JDS	156-1957-00	DM7426NA + /JA +	156-0112-02
DM74LS14N/J	156-0645-00	74F20PCQR/DCQR	156-1957-00	N7426A	156-0112-00
DM74LS14NA + /JA +	156-0645-02	74H20	156-1169-00	N7426NB/B	156-0112-02
MC74LS14	156-1363-00	74HC20	156-3058-00	SN7426N	156-0112-00
N74LS14N/F	156-0645-00	DM74L20N/J	156-0160-00	SN7426NP3/JP4	156-0112-02
N74LS14NB/FB	156-0645-02	SN74L20N/J	156-0160-00	SN7426J	156-0584-00
N74LS14X	156-1363-00	74LS20	156-0464-01	74LS26N/J	156-0970-00
SN74LS14N/J	156-0645-00	74LS20N/J	156-0464-00	74LS26PC/DC	156-0970-00
SN74LS14NP3/JP4	156-0645-03	74LS20PC/DC	156-0464-00	74LS26PCQR/DCQR	156-0970-03
SN74LS14NDS/JDS	156-0645-02	74LS20PCQR/DCQR	156-0464-02	N74LS26N/F	156-0970-00
SN74LS14YMP	156-1363-00	DM74LS20N/J	156-0464-00	N74LS26NB/FB	156-0970-03
74ALS15	156-3105-00	DM74LS20NA + /JA +	156-0464-02	SN74LS26N/J	156-0970-00
DM74LS15NA + /JA +	156-1267-00	N74LS20N/F	156-0464-00	SN74LS26NP3/JP4	156-0970-03
SN74LS15NDS/JDS	156-1267-00	N74LS20NB/FB	156-0464-02	7427	156-0178-00
SN74LS15NDS/JDS	156-1267-01	SN74LS20N/J	156-0464-00	7427	156-0178-01
SN74LS15NP3/JP4	156-1267-00	SN74LS20NDS/JDS	156-0464-02	7427J	156-0609-00
SN74LS15NP3/JP4	156-1267-01	SN74LS20NP3/JP4	156-0464-02	7427J	156-0609-01
74S15PCQR/DCQR	156-1680-00	74S20	156-0304-00	7427PCQR/DCQR	156-0178-02
DM74S15NA + /JA +	156-1680-00	74S20	156-0304-01	N7427NB/FB	156-0178-02
SN74S15NP3/JP4	156-1680-00	74S20PCQR/DCQR	156-0304-02	SN7427NP3/JP4	156-0178-02
7416	156-0093-01	DM74S20NA + /JA +	156-0304-02	DM74AS27NA + /JA +	156-2324-00

This index is arranged in numerical order, disregarding letters which appear in some vendor numbers.

VENDOR NUMBER TO TEK PART NUMBER (cont)

Vendor Number	Part Number	Vendor Number	Part Number	Vendor Number	Part Number
SN74AS27N3/J4	156-2324-00	7432PCQR/DCQR	156-0171-02	DM7437J	156-0591-00
74HCT27	156-3027-00	DM7432N	156-0171-00	N7437NB/FB	156-0150-02
74LS27	156-0718-01	DM7432NA + /JA +	156-0171-02	N7437FH	156-0591-00
74LS27	156-0718-02	N7432A	156-0171-00	SN7437NP3/JP4	156-0150-02
74LS27PCQR/DCQR	156-0718-03	N7432NB/FB	156-0171-02	SN7437J	156-0591-00
N74LS27NB/FB	156-0718-03	SN7432N	156-0171-00	74LS37	156-0466-01
SN74LS27N3/J4	156-2097-00	SN7432NP3/JP4	156-0171-02	74LS37PC/DC	156-0466-00
SN74LS27NDS/JDS	156-0718-03	SN74ALS32N3/J4	156-2093-00	74LS37PCQR/DCQR	156-0466-02
SN74LS27NP3/JP4	156-0718-03	DM74AS32NA +	156-2339-00	DM74LS37N/J	156-0466-00
7428	156-0374-01	SN74AS32N3/J4	156-2339-00	DM74LS37NA + /JA +	156-0466-00
N7428A	156-0374-00	74C32	156-0766-01	N74LS37N/F	156-0466-00
N7428NB/FB	156-0372-02	74C32	156-0766-02	N74LS37NB/FB	156-0466-02
SN7428N	156-0374-00	AM74C32JA +	156-0766-02	SN74LS37N/J	156-0466-00
SN7428NP3/JP4	156-0374-02	MM74C32J/N	156-0766-00	SN74LS37NP3/JP4	156-0466-02
74LS28	156-1930-00	74F32NB/FB	156-1724-00	74S37F	156-1216-00
7430	156-0035-01	74F32ND/JD	156-1724-00	SN74S37J	156-1216-00
7430PC	156-0035-00	74F32PCQR/DCQR	156-1724-00	SN74S37JP4	156-1216-01
7430PC/DC	156-0555-00	74HC32	156-2643-00	7438	156-0145-01
7430PCQR/DCQR	156-0035-02	MC74HC32ND/TD	156-2463-00	7438J	156-0592-00
DM7430N	156-0035-00	CD74HCT32EX	156-2436-00	7438J	156-0592-01
DM7430J/N	156-0555-00	74LS32	156-0479-01	7438PC/DC	156-0145-00
N7430F/N	156-0555-00	74LS32PC/DC	156-0479-00	7438PCQR/DCQR	156-0145-02
N7430A	156-0035-00	74LS32DCQR	156-0479-04	DM7438N/J	156-0145-00
N7430NB/FB	156-0035-02	74LS32PCQR/DCQR	156-0479-02	DM7438NA + /JA +	156-0145-02
SN7430J/N	156-0555-01	DM74LS32N/J	156-0479-00	N7438N/F	156-0145-00
SN7430N	156-0035-00	DM74LS32NA + /JA +	156-0479-02	N7438NB/FB	156-0145-02
SN7430NP3/JP4	156-0035-02	N74LS32N/F	156-0479-00	SN7438N/J	156-0145-00
DM74ALS30NA + /JA +	156-1910-00	N74LS32NB/FB	156-0479-02	SN7438NP3/JP4	156-0145-02
SN74ALS30AN3/J4	156-1910-00	SN74LS32N/J	156-0479-00	SN74ALS38ND/JD	156-2178-00
SN74ALS30	156-2112-00	SN74LS32NDS	156-0479-03	SN74ALS38AN3/J4	156-2178-00
SN74ALS30N/J	156-1910-00	SN74LS32NDS/JDS	156-0479-02	N74F38N/F	156-2540-00
SN74AS30N	156-2629-00	SN74LS32NDS/JDS	156-0479-04	74LS38	156-0467-01
MM74C30JA +	156-1397-00	SN74LS32NP3	156-0479-03	74LS38PCQR/DCQR	156-0467-02
74HC30	156-3059-00	SN74LS32NP3/JP4	156-0479-02	N74LS38NB/FB	156-0467-02
74L30	156-0267-01	SN74LS32NP3/JP4	156-0479-04	SN74LS38NDS/JDS	156-0467-02
74L30PC/DC	156-0267-00	74S32	156-0739-00	SN74LS38NP3/JP4	156-0467-02
DM74L30N/J	156-0267-00	74S32	156-0739-01	74S38FB	156-1393-01
MC74L30N/J	156-0267-00	74S432PCQR/DCQR	156-0739-02	N74S38FB	156-1393-00
N74L30N/J	156-0267-00	N74S32NB/FB	156-0739-02	SN74S38NP3/JP4	156-1393-00
SN74L30N/J	156-0267-00	SN74S32NP3/JP4	156-0739-02	SN74S38NP3/JP4	156-1393-01
74LS30	156-0465-01	7433	156-0424-01	7440	156-0036-01
74LS30PC/DC	156-0465-00	ITT7433N	156-0424-00	7440J	156-0616-01
74LS30PCQR/DCQR	156-0405-02	N7433A	156-0424-00	7440PC	156-0036-00
DM74LS30N/J	156-0465-00	N7433NB/FB	156-0424-02	7440PCQR/DCQR	156-0036-02
DM74LS30NA + /JA +	156-0465-02	SN7433N	156-0424-00	DM7440N	156-0036-00
N74LS30N/F	156-0465-00	SN7433NP3/JP4	156-0424-02	DM7440NA + /JA +	156-0036-02
N74LS30NB/FB	156-0465-02	DM74ALS33NA +	156-2200-00	N7440A	156-0036-00
SN74LS30N/J	156-0465-00	SN74ALS33AN	156-2200-00	N7440NB/FB	156-0036-02
SN74LS30NDS/JDS	156-0465-02	74LS33	156-0730-01	SN7440J	156-0616-00
SN74LS30NP3/JP4	156-0465-02	74LS33PC/DC	156-0730-00	SN7440N	156-0036-00
74S30PC/DC	156-0418-00	74LS33PCQR/DCQR	156-0730-02	SN7440NP3/JP4	156-0036-02
74S30PCQR/DCQR	156-0418-00	N74LS33NB/FB	156-0730-02	DM74H40N/J	156-0156-00
DM74S30N/J	156-0418-00	N74LS33N/F	156-0730-00	SN74H40N	156-0156-01
DM74S30NA + /JA +	156-0418-01	SN74LS33N/J	156-0730-00	SN74H40N/J	156-0156-00
N74S30N/F	156-0418-00	SN74LS33NDS/JDS	156-0730-02	74HCT40	156-3004-00
SN74S30N/J	156-0418-00	SN74LS33NP3/JP4	156-0730-02	7441	156-0080-01
SN74S30NP3/JP4	156-0418-01	7437	156-0150-00	7442	156-0061-01
SN74LS31N3	156-2090-00	7437	156-0150-01	7442J	156-0556-00
7432	156-0171-01	7437J	156-0591-01	7442J	156-0556-01
7432PC	156-0171-00	7437PCQR/DCQR	156-0150-02	7442PC/DC	156-0061-00

This index is arranged in numerical order, disregarding letters which appear in some vendor numbers.

VENDOR NUMBER TO TEK PART NUMBER (cont)

Vendor Number	Part Number	Vendor Number	Part Number	Vendor Number	Part Number
7442PCQR/DCQR	156-0061-02	SN74S51N	156-1040-00	7474	156-0041-01
DM7442N/J	156-0061-00	SN74S51NP3/JP4	156-1040-02	7474	156-0041-02
N7442N/F	156-0061-00	7454	156-0031-01	7474	156-0041-03
N7442N/F	156-0061-02	7454PC	156-0031-00	7474	156-0268-00
SN7442N/J	156-0061-00	7454PCQR/DCQR	156-0031-02	7474J	156-0558-00
SN7442N/J	156-0061-02	DM7454N	156-0031-00	7474J	156-0558-01
74C42	156-0566-01	DM7454NA + /JA +	156-0031-02	7474PC/DC	156-0041-00
MM74C42J	156-0566-00	N7454A	156-0031-00	7474PCQR/DCQR	156-0041-05
74L42	156-0490-01	N7454NB/FB	156-0031-02	DM7474N/J	156-0041-00
DM74L42AN/J	156-0490-00	SN7454N	156-0031-00	DM7474NA + /JA +	156-0041-05
DM74L42NA + /JA +	156-0490-02	SN7454NP3/JP4	156-0031-02	ITT7474	156-0041-00
74LS42	156-0736-01	74LS54	156-0452-01	N7474AN/F	156-0041-00
74LS42PC	156-0736-00	74LS54PCQR/DCQR	156-0452-02	N7474NB/FB	156-0041-05
74LS42PCQR/DCQR	156-0736-02	DM74LS54NA + /JA +	156-0452-02	SN7474N/J	156-0041-00
DM74LS42N	156-0736-00	SN74LS54N/J	156-0452-00	SN7474NP3/JP4	156-0041-05
DM74LS42NA + /JA +	156-0736-02	SN74LS54NP3/JP4	156-0452-02	UPB7474C	156-0041-00
N74LS42N	156-0736-00	74F64NDS/JDS	156-1751-00	74AC74	156-3060-00
N74LS42NB/FB	156-0736-02	74F64PCQR/DCQR	156-1751-00	DM74ALS74NA + /JA +	156-1756-00
SN74LS42N	156-0736-00	74F64NB/JB	156-1751-00	SN74ALS74ND3/JP4	156-1756-00
SN74LS42NDS/JDS	156-0736-02	74S64	156-0703-00	DM74AS74NA +	156-2338-00
SN74LS42NP3/JP4	156-0736-02	74S64	156-0703-01	SN74AS74NS/J4	156-2338-00
7444	156-0257-01	74S64PCQR/DCQR	156-0703-02	SN74AS74N	156-2855-00
N7444N/F	156-0257-00	N74S64NB/FB	156-0703-02	74F74PC/DC	156-1611-00
SN7444AN/J	156-0257-00	SN74S64N3/J4	156-0703-02	N74F74N/F	156-1611-00
7445N	156-0365-00	HD74S64S	156-1332-00	74H74PC/DC	156-0155-00
7447APC/DC	156-0128-00	74S65BDCQR	156-1285-00	DM74H74N/J	156-0155-00
DM7447AN/J	156-0128-00	N74S65FB	156-1285-00	MC74HC74	156-2009-00
DM7447ANA + /JA +	156-0128-01	SN74S65NP3/JP4	156-1285-00	MC74HC74N	156-2009-01
SN7447AN/J	156-0128-00	7472	156-0038-01	SN74H74N	156-0155-01
SN7447AN3/J4	156-0128-01	7472PC/DC	156-0038-00	SN74H74N/J	156-0155-00
DM74LS47N	156-1243-00	7472PCQR/DCQR	156-0038-02	74LS74	156-0388-01
DM74LS47NA + /JA +	156-1243-01	DM7472N/J	156-0038-00	74LS74	156-0388-02
N74LS47NP3/JP4	156-1243-01	N7472NB/FB	156-0038-02	74LS74D	156-0388-04
SN74LS47N	156-1243-00	SN7472N/J	156-0038-00	74LS74PC/DC	156-0388-00
74C48	156-0886-01	SN7472NP3/JP4	156-0038-02	74LS74APCQR/DCQR	156-0388-03
MM74C48J	156-0886-00	74L72PC/DC	156-0280-00	DM74LS74N/J	156-0388-00
MM74C48JA +	156-0886-02	DM74L72N/J	156-0280-00	N74LS74F	156-0388-04
7450	156-0190-00	MM74L72N/J	156-0280-00	SN74LS74J	156-0388-04
7451	156-0037-01	N74L72N/J	156-0280-00	SN74LS74N/J	156-0388-00
7451PC	156-0037-00	SN74L72N/J	156-0280-00	SN74LS74ANDS/JDS	156-0388-03
7451PCQR/DCQR	156-0037-02	7473	156-0039-01	SN74LS74NP3/JP4	156-0388-03
DM7451N	156-0037-00	7473J	156-0557-00	74S74	156-0331-01
DM7451NA + /JA +	156-0037-02	7473J	156-0557-01	74S74DC	156-0331-02
N7451A	156-0037-00	7473PC	156-0039-00	74S74PC/DC	156-0331-00
N7451NB/FB	156-0037-02	7473PCQR/DCQR	156-0039-02	DM74S74N/J	156-0331-00
SN7451N	156-0037-00	N7473A	156-0039-00	SN74S74N/J	156-0331-00
SN7451NP3/JP4	156-0037-02	N7473NB/FB	156-0039-02	SN74S74NP3	156-0331-03
74LS51	156-0875-01	SN7473N	156-0039-00	7475	156-0040-01
74LS51PC/DC	156-0875-00	SN7473NP3/JP4	156-0039-02	7475J	156-0559-00
74LS51PCQR/DCQR	156-0875-02	CD74HC73EX/FX	156-2449-01	7475J	156-0559-01
DM74LS51N/J	156-0875-00	MC74HC73ND/JD	156-2449-01	7475PC	156-0040-00
DM74LS51NA + /JA +	156-0875-02	TC74HC73P2449-01		7475PCQR/DCQR	156-0040-02
N74LS51N/F	156-0875-00	74LS73	156-0387-01	DM7475N	156-0040-00
N74LS51NB/FB	156-0875-02	DM74LS73N/J	156-0387-00	DM7475NA + /JA +	156-0040-02
SN74LS51N/J	156-0875-00	DM74LS73NA + /JA +	156-0387-02	N7475N	156-0040-00
SN74LS51NDS/JDS	156-0875-02	N74LS73N/F	156-0387-00	N7475NB/FB	156-0040-02
SN74LS51NP3/JP4	156-0875-02	N74LS73NB/FB	156-0387-02	SN7475N	156-0040-00
74S51	156-1040-01	SN74LS73N/J	156-0387-00	SN7475NP3/JP4	156-0040-02
74S51PC/DC	156-1040-00	SN74LS73NDS/JDS	156-0387-02	74LS75	156-0735-01
N74S51NB/FB	156-1040-02	SN74LS73NP3/JP4	156-0387-02	74LS75A	156-0735-00

This index is arranged in numerical order, disregarding letters which appear in some vendor numbers.

VENDOR NUMBER TO TEK PART NUMBER (cont)

Vendor Number	Part Number	Vendor Number	Part Number	Vendor Number	Part Number
DM74LS74NA + /JA +	156-0735-02	7486	156-0062-01	74LS90	156-0656-01
N74LS75NB/FB	156-0735-00	7486PC/DC	156-0062-00	74LS90CP/DC	156-0656-00
SN74LS75NDS/JDS	156-0735-02	7486PCQR/DCQR	156-0062-02	74LS90PCQR/DCQR	156-0656-02
SN74LS75NP3/JP4	156-0735-02	DM7486N/J	156-0062-00	DM74LS90N/J	156-0656-00
7476	156-0042-01	DM7486NA + /JA +	156-0062-02	SN74LS90N/J	156-0656-00
7476J	156-0560-00	N7486N/F	156-0062-00	SN74LS90NDS/JDS	156-0656-02
7476J	156-0560-01	N7486NB/FB	156-0062-02	SN74LS90NP3/JP4	156-0656-02
7476PC	156-0042-00	SN7486NP3/JP4	156-0062-02	7491A	156-0194-00
N7476B	156-0042-00	SN7486N/J	156-0062-00	7492	156-0114-01
N7476NB/FB	156-0042-02	SN74ALS86N3/J4	156-2095-00	7492PCQR/DCQR	156-0114-02
SN7476N	156-0042-00	MM74C86/JA +	156-0786-02	DM7492AN/J	156-0114-00
SN7476NP3/JP4	156-0042-02	N74F86NB/JB	156-1800-00	DM7492NA + /JA +	156-0114-02
74LS76	156-0731-01	74F86PCQR/DCQR	156-1800-00	N7492N/J	156-0114-00
DM74LS76N/J	156-0731-00	MC74F86ND/JD	156-1800-00	N7492NB/FB	156-0114-02
DM74LS76NA + /JA +	156-0731-02	74HC86	156-3061-00	SN7492AN/J	156-0114-00
N74LS76N/F	156-0731-00	74LS86	156-0381-01	SN7492NP3/JP4	156-0114-02
N74LS76NB/FB	156-0731-02	74LS86PC/DC	156-0381-00	SN7492PC/DC	156-0114-00
SN74LS76AN/J	156-0731-00	74LS86PCQR/DCQR	156-0381-02	74LS92	156-1108-01
SN74LS76NP3/JP4	156-0731-02	DM74LS86N/J	156-0381-00	74LS92DCQR/PC	156-1108-02
DM74L78N/J	156-0161-00	DM74LS86NA + /JA +	156-0381-02	SN74LS92N/J	156-1108-00
SN74L78N/J	156-0161-00	N74LS86N/F	156-0381-00	SN74LS92P3/JP4	156-1108-02
7480PC	156-0086-00	N74LS86NB/FB	156-0381-02	7493	156-0032-01
N7480A	156-0086-00	SN74LS86N/J	156-0381-00	7493AJ	156-0561-00
SN7480N	156-0086-00	SN74LS86NDS/JDS	156-0381-02	7493J	156-0561-01
7483	156-0087-01	SN74LS86NP3/JP4	156-0381-02	7493PC	156-0032-00
7483PCQR/DCQR	156-0087-02	74S86	156-0707-01	7493PCQR/DCQR	156-0032-03
DM7483N/J	156-0087-00	74S86	156-0707-02	DM7493N	156-0032-00
DM7483NA + /JA +	156-0087-02	74S86PC/DC	156-0707-00	DM7493NA + /JA +	156-0032-02
N7483N/F	156-0087-00	74S86PCQR/DCQR	156-0707-03	DM7493NA + /JA +	156-0032-03
N7483NB/FB	156-0087-02	DM74S86N/J	156-0707-00	N7493A	156-0032-00
SN7483AN/J	156-0087-00	DM74S86NA + /JA +	156-0707-03	N7493NB/FB	156-0032-02
SN7483NP3/JP4	156-0087-02	HD74S86S	156-1331-00	N7493NB/FB	156-0032-03
74LS83	156-0468-01	N74S86N/F	156-0707-00	SN7493N	156-0032-00
SN74LS83N	156-0468-00	N74S86NB/FB	156-0707-03	SN7493NP3/JP4	156-0032-03
7485	156-0123-01	SN74S86N/J	156-0707-00	74L93	156-0101-01
7485PC	156-0123-00	SN74S86NP3/JP4	156-0707-03	DM74L93N/J	156-0101-00
7485PCQR/DCQR	156-0123-02	74H87	156-0318-01	SN74L93N/J	156-0101-00
DM7485N	156-0123-00	74H87DC	156-0318-00	74LS93	156-0646-00
DM7485NA + /JA +	156-0123-02	74H87H	156-0614-01	74LS93	156-0646-01
N7485B	156-0123-00	MC74H87DC	156-0318-00	74LS93PCQR/DCQR	156-0646-02
N7485NB/FB	156-0123-02	SN74H87J	156-0614-00	DM74LS93NA + /JA +	156-0646-02
SN7485N	156-0123-00	SN74H87N/J	156-0318-00	N74LS93NB/FB	156-0646-02
SN7485NP3/JP4	156-0123-02	7488	156-0086-01	SN74LS93NDS/JDS	156-0646-02
74HC85	156-3076-00	SN7488AJ	062-4588-00	SN74LS93NP3/JP4	156-0646-02
74LS85	156-0953-01	7489	156-0192-01	7495	156-0120-01
74LS85PC/DC	156-0953-00	SN7489N	156-0192-00	7495J	156-0602-00
74LS85PCQR/DCQR	156-0953-02	SN7489N3	156-0192-02	7495J	156-0602-01
DM74LS85J	156-0953-03	MM74C89J	156-0894-00	7495PC/DC	156-0120-00
DM74LS85NA + /JA +	156-0953-02	7490	156-0079-01	7495PCQR/DCQR	156-0120-02
N74LS85NF	156-0953-00	7490APC	156-0079-00	DM7495N/J	156-0120-00
N74LS85NB/FB	156-0953-02	7490PCQR/DCQR	156-0079-02	N7495AN/F	156-0120-00
SN74LS85N/J	156-0953-00	DM7490AN	156-0079-00	SN7495AN/J	156-0120-00
SN74LS85J	156-0953-03	DM7490NA + /JA +	156-0079-00	SN7495NP3/JP4	156-0120-02
SN74LS85NDS/JDS	156-0953-02	N7490FII-B	156-0079-02	74LS95	156-0389-01
SN74LS85NP3/JP4	156-0953-02	SN7490AN	156-0079-00	DM74LS95NA + /JA +	156-0389-02
74S85	156-1041-01	SN7490ANP3/JP4	156-0079-02	N74LS95N/F	156-0389-00
74S85F	156-1041-00	SN7490AN/J	156-0395-00	N74LS95NB/FB	156-0389-02
N74S85FB	156-1041-02	SN7490ANP3/JP4	156-0395-01	SN74LS95NDS.HDS	156-0389-02
SN74S85J	156-1041-00	DM74L90N/J	156-0201-00	SN74LS95NP3/JP4	156-0389-02
SN74S85JP4	156-1041-02	SN74L90N/J	156-0201-00	SN74LS95BN/J	156-0389-00

This index is arranged in numerical order, disregarding letters which appear in some vendor numbers.

VENDOR NUMBER TO TEK PART NUMBER (cont)

Vendor Number	Part Number	Vendor Number	Part Number	Vendor Number	Part Number
7496	156-0073-01	UA78L05AWC	156-0991-00	MC7912CTD	156-0872-02
7496PC	156-0073-00	UA78L05AWC	156-0991-02	UA7912UCQR	156-0872-01
7496PCQR/DCQR	156-0073-02	UA78L05AWCQR	156-0991-01	UC7912ACT	156-2559-00
DM7496N	156-0073-00	UA78M05CKF	156-1263-00	UPC7912HIA	156-0445-00
DM7496NA +/JA +	156-0073-02	UPD7807G	156-2202-00	LM79L12AZ	156-2263-00
N7496A	156-0073-00	7808C	156-2959-00	MC79L12ACG	156-1207-00
N7496NB/FB	156-0073-02	LM78L08ACH	156-1244-00	MC79L12ACGD	156-1207-01
SN7496N	156-0073-00	MC78L08ACG	156-1244-00	MC79L12ACP	156-2263-00
SN7496NP3/JP4	156-0073-02	UD7810G	156-2021-00	LM79M12CH	156-1604-00
74LS96	156-1275-01	7812C	156-2960-00	LM79M12CPTB	156-1264-00
N74LS96N	156-1275-00	UA7812ACT	156-2558-00	UA79M12AHC	156-1604-00
N74LS96FB/NB	156-1275-02	LM78L12ACZ	156-2735-00	UA79M12CKF	156-1264-00
SN74LS96N	156-1275-00	MC78L12ACP	156-2735-00	HC7915ACT	156-1903-00
SN74LS96NP3/JP4	156-1275-02	UA78L12AHC	156-1160-00	MC7915CT	156-0527-00
7497	156-0311-01	MC78T12CT	156-1967-00	MC7915CTD	156-0527-01
7497DCQR	156-0311-02	78HV12	156-1405-00	SG7915CP	156-0527-00
7497PC/DC	156-0311-00	MC7812CTD	156-0285-01	UA7915CKC	156-0527-00
SN7497/JP4	156-0311-02	7812CU	156-0285-01	LM79L15ACZ	156-1260-00
AD7511	156-0723-01	MC7812CT	156-0285-00	MC79L15ACP	156-1260-00
S7511	156-1574-00	SG7812ACP	156-0285-02	UC7915ACT	156-0527-02
7512	156-2944-00	UA7812UCQR	156-0285-01	UA7952CKC	156-0655-00
MP7520LN	156-0719-01	UC78L12ACT	156-2558-00	AM7990DCB	156-2448-00
AD7523	156-1366-01	UPC7812HIA	156-0446-00	AM7992ADCB	156-2471-00
MP7523JN	156-1366-00	MC78L12ACG	156-1160-00	DM8000N/J	156-0030-00
AN7524	156-1367-01	MC78L12ACGD	156-1160-01	DM8000NA +/JA +	156-0030-03
MP7524JN	156-1367-00	UA78L12AHC	156-1160-00	AMZ8001ADC	156-1525-00
AD7528	156-1815-00	MC78T12CT	156-1967-00	DM8001N/J	156-0057-00
S7530	156-1552-00	MC7815CTD	156-0312-01	Z8001ADS	156-1525-00
PM7528	156-2493-00	MC7815CT	156-0312-00	Z8001BPS	156-3015-00
AD7533LN	156-0719-00	SG7815ACP	156-0988-00	AMZ8002ADC	156-1558-00
AD7545JN	156-2870-00	SG7815CP	156-0312-00	Z8002A	156-1558-00
MP7545J	156-2870-00	UA7815ACT	156-0312-02	Z8002BPS	156-3016-00
AD7549	156-2694-00	UA7815ACT	156-1902-00	DM8003NA +/JA +	156-0186-02
ICM7555	156-1408-01	78HV15CU	156-0312-00	NSC800-4	156-1923-00
ICM7555/IPA	156-1408-00	78HV15CU	156-0988-00	DM8006	156-0153-02
S7570	156-1695-00	78L15ACP	156-1261-01	DM8007N/J	156-1080-00
AD7574JN	156-1928-00	MC78L15ACP	156-1261-00	8ADG007	156-2453-01
MP7574JN	156-1928-00	MC78L15ACPD	156-1261-02	C8008	156-0454-00
S7578	156-1690-00	UA78L15AWC	156-1261-00	DM8008NA +/JA +	156-0129-02
MP7621KN	156-1548-00	UA78M15CKF	156-1262-00	IC8008	156-0454-01
ICL7660	156-2736-00	UA7818ACT	156-1903-00	MCF8010	156-0157-00
TL7702AC	156-2677-00	UA7818UC	156-0264-00	ADC80AG-12	156-1307-00
TL7702ACP	156-2677-00	78HV18	156-1406-00	DM8016NA +/JA +	156-0093-02
TL7705CP	156-1970-00	UA78HV18CU	156-0264-00	DM8017NA +/JA +	156-0140-02
UA7715C	156-0151-00	MC7824CT	156-0926-00	DM8020NA +/JA +	156-0034-02
UPD7720-D	156-2136-00	UA7824UC	156-0926-00	8023	156-2246-00
UPD7721R	156-2137-00	UA78HV24CU	156-0926-00	DM8025NA +/JA +	156-0165-02
UPD780-1	156-0983-04	LM7905ACZ	156-1150-00	DM8027NA +/JA +	156-0178-02
MC7805ACT	156-2698-00	LM7905CT	156-0846-00	DM8030NA +/JA +	156-0035-02
MC7805CP	156-0501-00	MC7905ACT	156-2699-00	Z8030A	156-0448-00
MC7805CT	156-0277-00	MC7905CT	156-0846-00	CI/DI8031	156-1684-00
MC7805CTD	156-0277-01	SG7905CP	156-0846-00	P8031AH	156-1684-01
SG7805ACP	156-2698-00	SGC7905ACP	156-2699-00	P/D8035HL	156-1434-00
UA7805UCQR	156-0277-01	UA7905KC	156-0846-00	AMZ8038DC	156-1793-00
UA7805UC	156-0277-00	MC79L05ACP	156-1150-00	ICL8038BCJD	156-1885-00
UPD78C05AG	156-2135-00	MC79L05ACP	156-1150-01	Z8038DS/CS	156-1793-00
74L05ACS	156-0991-00	LM79M05CH	156-2536-00	D8039	156-1387-00
MC78L05ACP	156-0991-00	LM7912CT	156-0872-00	D80C39C	156-2011-00
MC78L05ACP	156-0991-02	MC7912CT	156-0872-00	8060NA +	156-1212-01
MC78L05ACPD	156-0991-01	MC7912CTD	156-0872-01	INS8060N	156-1212-00

This index is arranged in numerical order, disregarding letters which appear in some vendor numbers.

VENDOR NUMBER TO TEK PART NUMBER (cont)

Vendor Number	Part Number	Vendor Number	Part Number	Vendor Number	Part Number
MP8060IWA	156-1212-00	SG8195	156-0208-00	82S41	156-0322-00
ICL8069CCSQ	156-1490-00	81LS97	156-0916-01	D/P8243	156-1356-00
ICL8069DC	156-1586-00	AM81LS97NB/JB	156-0916-02	N8243N	156-0416-00
TCL8069DC	156-1586-01	DM81LS97N	156-0916-00	D/P8243	156-1356-01
8080A	156-0954-01	DM81LS97NA +/JA +	156-0916-02	UPB8243C/D	156-1356-00
8080AC	156-0954-00	AM81LS98PCB/DCB	156-1479-01	INA8250AN/D	156-2252-00
8080AD	156-0954-00	DM81LS98N/J	156-1479-00	INS8250DA/NA +	156-1336-00
C8085A	156-1088-00	DM81LS98JA +/JA +	156-1479-01	INS8250BD/N	156-1336-01
D8085A	156-1088-00	DM81LS98N/J	156-1479-00	8251D	156-0877-03
D/P8085A	156-1088-01	8201	156-0601-01	AM8251A	156-0877-04
D/P8085AB	156-1088-01	MC8201	156-0152-00	D8251A	156-0877-00
D8086B	156-1416-00	MC8201	156-0152-01	D/P8251	156-0877-02
D8086D	156-1416-00	N8201F	156-0601-00	P/D8251A	156-0877-04
SAB8086-C	156-1416-00	RC8201R	156-0601-00	Q/P/D8251A	156-0877-01
D8087	156-1643-00	8202	156-0250-01	UPD8251C/D	156-0877-02
Z8087	156-1793-00	D8202	156-1442-00	CD82C52/B	156-2438-00
D8088	156-1609-00	D8202A	156-1599-00	QD8253	156-1036-01
CP80C88	156-2774-00	N8202N	156-0250-00	82C54	156-2767-00
8089	156-0434-00	8203	156-0249-01	82C54	156-2773-00
DM8090N/J	156-0406-00	8203	156-1576-00	AM8255APCB/DCB	156-1570-00
M8090	156-0406-01	N8203N	156-0249-00	QP8255A	156-1570-00
M8090	156-0406-02	8205	156-1300-00	P/D8256AH	156-2450-00
8092	156-0473-01	N8205	156-0357-02	QD/QP8257	156-1202-00
8092	156-0473-02	N8205F	156-0262-00	P8259	156-1204-00
DM8092N	156-0473-00	N8205N	062-4589-00	QD8259A	156-1204-01
8094	156-0396-01	N8205N	156-0357-00	82S62N/J	156-1084-00
DM8094N/J	156-0396-00	N8205N	156-0358-00	N82S62N/F	156-1084-00
DM8094N/A +	156-0396-02	N8205N	156-0359-00	82S70NB/FB	156-1328-00
8097	156-0535-01	N8205N	156-0360-00	RC8271DD	156-0919-00
MM80C97J	156-0649-00	C8206	156-1880-00	D8272A	156-1412-00
MM80C97JA +	156-0649-02	8207	156-1881-00	8273B	156-0497-00
80L97	156-0787-00	8208	156-2296-00	8273B	156-0497-01
80L97	156-0787-01	82C08	156-2989-00	N8273NB/FB	156-0497-02
DM80L97N/J	156-0535-00	N82S09-I	156-1171-00	8274B	156-0498-01
DM80L97NA +/JA +	156-0535-02	8212	156-0962-00	C/D8274	156-1656-00
MM80C98J	156-1341-00	ICL8212	156-1898-00	N8274F	156-0498-00
MM80C98JA +	156-1341-01	ICL8212CPA	156-2445-00	D/P8275	156-1455-00
DM80L98N	156-0729-00	8214	156-0963-00	DS8275N/J	156-1455-00
DM80L98NA +/JA +	156-0729-01	8223	156-0533-00	DM8283N/J	156-0087-00
DM8121N/J	156-0397-00	AM8224DCB	156-0945-01	D8284A	156-1428-01
AMZ8127	156-1577-00	D8224	156-0945-00	D8284A	156-1428-00
DM8130NA +/JA +	156-0537-01	DP8224J	156-0945-00	QD/D8284A	156-1428-02
DM8130N	156-0537-00	QD8224	156-0945-01	IP82C84A/ +	156-2344-00
8136	156-0539-02	UPB8224D	156-0945-00	QD/D8288	156-1427-01
DM8136N	156-0539-00	UPB8224D	156-0945-01	P/D8288	156-1427-00
DM8136NA +	156-0539-01	82S25	156-0199-01	8289	156-0435-00
AM8151DC	156-2949-00	N82S25N/F	156-0199-00	N82S90N	156-0482-00
8155	156-1467-00	8228	156-0166-00	8291A	156-1257-01
AM8155JB	156-1730-00	8228	156-0947-01	D8291A	156-1257-00
QC/QD8155H	156-1730-00	AM8228D	156-0947-00	8292	156-0091-01
DAC-08156Q	156-1255-01	D8228	156-0947-00	N8292A	156-0091-00
DAC08157Q	156-1255-00	DP8228J	156-0947-00	8X300IZA	156-1164-00
DAC08-157Q	156-1255-03	QD8228	156-0947-02	DP8303NB/JB	156-1597-00
DM8160	156-0845-01	UPB8228D	156-0947-00	DP8303NA +/JA +	156-1597-00
DM8160N	156-0845-00	N8234N/F	156-0336-00	N8X305N	156-2241-00
DM8160N/A +	156-0845-02	N8234NB/FB	156-0336-01	P8308A	062-4173-00
ULN8161M	156-1799-00	AM8238	156-1203-00	8316	156-0899-01
CM8180	156-0423-00	D/P8238	156-1203-00	8316	156-0900-01
AM81LS95NB/JB	156-1277-00	DP8238J/N	156-1203-00	8316A	062-4586-00
DM81LS95NA +/JA +	156-1277-00	UPB8238C/D	156-1203-00	C8316A	062-4576-00

This index is arranged in numerical order, disregarding letters which appear in some vendor numbers.

VENDOR NUMBER TO TEK PART NUMBER (cont)

Vendor Number	Part Number	Vendor Number	Part Number	Vendor Number	Part Number
SC8331P	156-0076-00	8748H	156-1364-01	AM9140BDC	156-0987-00
EA8332A-DC	062-5549-00	D8751H	156-2700-00	AM9140BDC	156-0987-01
EA8332A-PC	062-5549-01	8755A	156-1464-00	9S174	156-0738-00
8340	156-2242-00	QC/QD8755A	156-1531-00	AM9208DC	062-4175-00
8341	156-2243-00	N8TS805NB	156-1980-00	FDC9216BPI/BI	156-1888-00
8344	156-2075-00	N8TS806NB	156-1979-00	SG9257	156-0933-00
N8T380A	156-0456-00	D8808	156-1609-00	FDC9266	156-2609-00
8414C	156-1359-02	DS88L12N/J	156-1347-00	9300PC	156-0083-00
MB8414E	156-1301-00	N8815N	156-1053-00	9300PC/DC	156-0083-00
MB8414E	156-1359-00	DS8830N/J	156-0181-00	9300PC	156-0082-01
Z8430B	156-2628-00	D8831N/J	156-0506-00	93L00PC	156-0309-00
MC8505P	156-0955-00	8833	156-0531-01	F93L00PC	156-0309-00
MC8506P/L	156-1314-00	DM8833NA + /JA +	156-0531-02	9304	156-0148-01
MC8507	156-1066-00	DM8833N	156-0531-00	9304PCQR/DCQR	156-0148-02
Z8530A	156-2076-00	8836	156-0456-01	NMC9306EA +	156-2085-00
Z8530APC	156-2076-00	DS8836N	156-0456-00	9307PC	156-0375-00
Z8530PS	156-2076-01	DS8836NA + /JA +	156-0456-02	9308	156-0521-01
Z8530PC	156-2076-01	8837	156-0455-01	9308PC	156-0521-00
8551	156-0398-01	DM8837N/A +	156-0455-02	AM9308PC	156-0521-00
DM8551N/J	156-0398-00	DS8837N/J	156-0455-00	93L08	156-0220-01
DM8551NA + /JA +	156-0398-02	AM8838N/J	156-0653-00	93L08PC/DC	156-0220-00
DM8556N	156-1054-00	AM8838NB/JB	156-0653-02	93L09PC	156-1186-00
DM8556NA + /JA +	156-1054-01	DM8838N/J	156-0653-00	9310PC	156-0084-01
DM85L60N/J	156-0245-00	DS8838N	156-0653-01	9310PCQR/DCQR	156-0084-02
DM8574	156-0737-00	DS8838NA + /JA +	156-0653-02	AM93S10PC/DC	156-1394-00
DM8578J	156-0785-00	DM8842NA + /JA +	156-0061-02	93S10PC/DC	156-1394-00
8581	156-2414-00	DM8850N	156-0081-00	93L14	156-0327-01
DM8598N	062-4587-00	DM8852NA + /JA +	156-0072-02	93L14DC	156-0327-00
8599	156-0339-01	DS8856	156-1110-00	93L16	156-0741-01
8599	156-0339-02	DS8863N/J	156-1407-00	93L16PC/DC	156-0741-00
DM8599N	156-0339-00	MC8871	156-0046-00	F93S16DC	156-1044-00
DM8601J	156-0622-00	SL08871	156-0049-00	F93S16DCQR	156-1044-01
DM8602N/J	156-0405-00	8880	156-0284-01	9318	156-0219-01
DM8602J	156-0623-00	8880	156-0284-02	9318DCQR	156-0219-02
SP8610M	156-1302-00	DS8880N	156-0284-00	9318PC/DC	156-0219-00
SP8611BDG/DG	156-1302-01	DS8880NA + /JA +	156-0284-03	9318PCB/DCB	156-0219-02
SP8627DG/DP	156-1449-00	N3881N/F	156-0917-00	93L21PC/DC	156-0314-00
SP8629DPB	156-1248-00	CRT9006HS	156-1944-00	93L22	156-0488-01
SP8630BDP/DG	156-0278-00	CRT9007PBI	156-1763-00	93L22PC	156-0488-00
8633N	156-1125-00	STC9007D-B	156-1763-00	9324	156-0654-00
8640	156-1055-00	9016DC	156-0029-00	9324	156-0654-01
8641CJ	156-1548-00	9020	156-0196-00	9328	156-0085-01
DM86L42NA + /JA +	156-0490-02	HB9029	156-1896-00	F93L28PC	156-0310-00
8647	156-1739-00	AM9101	156-0698-01	93L28PC/DC	156-0939-00
DS8654N/J	156-1454-00	AM9101BPC	156-0698-00	93L28PCQR/DCQR	156-0310-02
DS8654NA + /JA +	156-1454-01	AM9111DDC	156-1188-00	9334	156-0218-01
SP8660C	156-2578-00	SM9114BDC	156-1028-00	9334PC/DC	156-0218-00
DM86LS62JA +	156-1251-00	AM91L14BDC	156-1127-00	9334PCQR/DCQR	156-0218-02
DM86S64BWF/N	156-2517-00	AM91L14EDC	156-1461-00	93L34	156-0554-01
DM86S64CAB/N	156-1170-00	AM91L14EDC	156-1461-01	93L34PC/DC	156-0544-00
C08684	156-0235-00	HAO-0911-6	156-0904-00	93L34PCQR/DCQR	156-0544-02
C08685	156-0231-00	9124E	156-1400-00	9341PC/DC	156-0351-00
C08686	156-0232-00	AM91L24CDC	156-1323-00	93S47	156-1063-02
C08687	156-0233-00	IN91L24	156-1323-01	93S47DC	156-1063-00
C08688	156-0234-00	9130A	156-0873-01	93S47DCQR	156-1063-01
8701CN	156-1595-00	9130A	156-0873-02	9368DC	156-0493-00
D8741A	156-1365-00	9130B	156-1042-01	9368PC	156-0493-01
8742	156-2317-00	AM9130APC/ADC	156-0873-00	9368PCQR/DCQR	156-0493-02
8744	156-2045-00	AM9130BDC	156-1042-00	SG9399	156-0130-01
D8748	156-1364-00	AMD9140	156-0987-02	9401	156-0969-01

This index is arranged in numerical order, disregarding letters which appear in some vendor numbers.

VENDOR NUMBER TO TEK PART NUMBER (cont)

Vendor Number	Part Number	Vendor Number	Part Number	Vendor Number	Part Number
CB9401F	156-0359-02	TMS9904ANJ	156-1692-00	F10106PC/DC	156-0252-00
F9401DC	156-0969-00	9914A-N	156-1444-01	MC10106P/L	156-0252-00
F9401DCQR	156-0969-02	TMS9914NL/JL	156-1444-00	MC10106PD/LD	156-0252-02
CD9402F	156-0358-02	TMS9914AJL/DL	156-1444-02	10107	156-0295-01
9406PC/DC	156-1399-00	TMS9927	156-1386-00	MC10107	156-0295-00
94L14DC	156-0327-00	SG9976	156-0933-01	MC10107PD/LD	156-0295-02
SG9427	156-0512-02	9997DC	156-0016-00	MC10107LD/PD	156-1676-00
F9451DC	156-2190-00	F10010DC	156-0870-00	NPB10107D	156-0295-00
AM9513ADC	156-1550-01	10014	156-1728-00	10108	156-2594-00
AM9513PCTB/DCTB	156-1550-00	10016DCQR	156-1038-01	10109N/F	156-0229-00
AM9516NB/JB	156-2080-00	F10016DC	156-1038-00	MC10109L	156-0229-02
9519APCB	156-2207-00	MC10H016P/L	156-2142-00	MC10109L/P	156-0229-00
MP9534JL	156-0935-01	LT1001CN8	156-2577-00	MC10109PD/LD	156-0229-01
95C60	156-2996-00	OP-10-057Y	156-1532-00	UPB10109C/D	156-0229-00
9601	156-0081-01	LT1007ACJ8	156-2695-01	MC10H109LD/PD	156-1682-00
9601DC	156-0622-01	SG10083	156-1585-00	MCM10110L	156-0657-00
9601PC/DC	156-0081-00	10100PC	156-1287-00	MC10110P	156-0639-00
9601PCQR/DCQR	156-0081-02	MC10100P	156-1287-00	MX10110PD/LD	156-0639-01
MC9601NDS/JDS	156-0081-02	MC101H00P/L	156-2019-00	10111	156-0636-01
9602	156-0405-01	N10100B	156-1287-00	FD10111PC/DC	156-0636-00
9602	156-0405-02	MC10101L	156-0631-00	MC10111LP	156-0636-00
9602DC	156-0623-00	MC10101L/F	156-0631-00	MC10111P/L	156-0636-02
9602DC	156-0623-01	MC10101PD/LD	156-0631-02	MC10113	156-0687-00
9602PC/DC	156-0405-00	MC10101PD/LD	156-0631-03	MC10113PD/LD	156-0687-01
9602PCQR/DCQR	156-0405-03	SP10101E	156-0631-01	MC10114	156-1476-00
DM9602N/J	156-0405-00	MC10H101LD/PD	156-1668-00	MC10114PD/LD	156-2059-00
DM9602NA + /JA +	156-0405-03	MC10H101PD/LD	156-1733-00	10115	156-0308-01
MC9602PDS/LDS	156-0405-03	10102	156-0205-01	10115F	156-0308-02
N9602F	156-0623-00	10102FB	156-0205-02	10115FB	156-0308-03
N9602NB/FB	156-0405-03	F10102PC/DC	156-0205-00	10115N	156-0308-00
N9602N/F	156-0405-00	F10102PCQR/DCQR	156-0205-02	10115N	156-0308-04
96L02	156-0487-01	MC10102L/P	156-0205-03	MC10115	156-0308-02
96L02PC	156-0487-02	MC10102PD/LD	156-0205-02	MC10115L	156-0308-05
96L02PCQR/DCQR	156-0487-02	N10102N/F	156-0205-00	MC10115P/L	156-0308-00
96LS02PCQR/DCQR	156-1335-00	MC10102P/L	156-0205-00	MC10115PD/LD	156-0308-04
AM96L02PC	156-0487-00	MC10H102L/P	156-1641-00	SP10115E	156-0308-02
DM96L02NA + /JA +	156-0487-02	MC10H102LD/PD	156-1641-01	10H115	156-2114-00
96S02PCQR/DCQR	156-1645-00	UPB10101C/B	156-1205-00	10116	156-0860-01
9614DC	156-0275-01	10103	156-0759-01	10116F	156-0860-00
9614PCQR/DCQR	156-0275-01	10103B/F	156-0759-00	10116N	156-0860-02
9615DC	156-0274-00	10103PCQR/DCQR	156-0759-02	MC10116L	156-0860-00
9615DCQR	156-0274-01	F10103PC/DC	156-0759-00	MC10H116	156-1698-00
9616EDC	156-1544-00	MC10103L/P	156-0759-00	MC10116PD/LD	156-0860-02
9685	156-2529-00	MC10103PD/LD	156-0759-02	MC10H116L/P	156-1640-00
SP9685	156-1988-00	MC10H103	156-1976-00	MC10H116LD/PD	156-1640-01
SP9685CM	156-1344-00	MC10H103PDS/LDS	156-1849-00	HD10117	156-1463-00
SP9687DC	156-1769-00	SN10103N/J	156-0759-00	MC10H117PD/LD	156-1710-00
AD9702	156-2329-00	MC10104L	156-0458-00	MC10118	156-1214-00
AM9710	156-2956-00	MC10104L	156-0458-01	MC10118PD/LD	156-1214-01
AM9761HDC	156-2719-00	MC10H104LD/PD	156-1674-00	MC10H118	156-1945-00
SP9768B	156-1854-00	10105	156-0182-01	F10121PD/DC	156-1648-00
SP9768SE	156-1854-00	10105	156-3021-00	MC10121L/P	156-1648-00
SG9872	156-0495-02	MC10105P/L	156-0182-00	MC10H121PD/LD	156-1794-00
9900	156-0935-02	MC10105P/L	156-0182-03	10123F	156-1592-00
S9900	156-0935-00	MC10105PD/LD	156-0182-02	F10123DC	156-1592-00
S9900D/E	156-0935-01	MC10H105L/P	156-1642-00	MC10123L	156-1592-00
SBP9900A	156-1404-00	MC10H105LD/PD	156-1642-01	MC10124LD	156-0368-01
TMS9900J	156-0935-00	WD1010-5	156-2374-00	MC10124LD	156-0368-02
TMS9901JL	156-1296-00	10106	156-0252-01	MC10124PD/LD	156-0368-03
TMS9902JL	156-1295-00	10106B/F	156-0252-00	MC10124L	156-0368-00

This index is arranged in numerical order, disregarding letters which appear in some vendor numbers.

VENDOR NUMBER TO TEK PART NUMBER (cont)

Vendor Number	Part Number	Vendor Number	Part Number	Vendor Number	Part Number
MC10H124PD	156-2289-00	MC10147LDS	156-1035-01	10175PCQR/DCQR	156-0760-01
MC10H125PD	156-2290-00	MCM10149L	156-1673-00	F10175DC	156-0760-00
10125	156-0316-01	10153	156-0762-00	MC10175L	156-0760-00
10125FB	156-0316-03	MC10158P/L	156-0746-00	MC10175PD/LD	156-0760-01
10125FJ	156-0316-02	MC10158PD/LD	156-0746-01	MC10H175	156-1991-00
HD10125S	156-1334-00	MC10H158	156-1990-00	MC10176L	156-0633-00
MC10125P/L	156-0316-00	MC10H158PD/LD	156-1891-00	MC10176LD	156-0633-01
MC10125PD/LD	156-0316-04	MC10159PD/LD	156-1796-00	MC10176PD/LD	156-0633-02
MC10125L	156-0316-02	MC10H159L/P	156-1905-00	MC10H176PD/LD	156-1712-00
10130B	156-1247-00	10160F	156-0771-00	10179	156-2704-00
10130FB/NB	156-1247-01	F10160DC	156-0771-00	10180DCQR	156-1374-00
F10130PCQR/DCQR	156-1247-01	F10160PCQR/DCQR	156-0771-01	MC10180L	156-1374-00
MC10130P	156-1247-00	MC10160L	156-0771-00	10181FB	156-0863-01
MC10130PD/LD	156-1247-01	MC10160P/L	156-0771-01	MC10181L	156-0863-00
MC10H130PD/LD	156-2175-00	SN10160J	156-0771-01	MC10181L	156-0863-01
10131N/F	156-0230-00	10161DC	156-0920-00	MC10H181	156-2669-00
10131	156-0230-01	F10161DCQR/PC	156-0920-01	MC10186L	156-0743-00
F10131PC/DC	156-0230-00	MC10161L	156-0920-00	MC10186PD/LD	156-0743-01
MC10131L/P	156-0230-00	MC10161PD/LD	156-0920-01	10188N/F	156-0543-00
UPB10131C/D	156-0230-00	MC10H161	156-2739-00	10188NB/FB	156-0543-01
MC10131LD	156-0230-02	MC10H161P/L	156-2373-00	GXB10188P/D	156-0543-00
MC10H131LP	156-1639-00	10162F	156-1495-00	LT1018CN8	156-2901-00
MC10H131LD/PD	156-1639-01	F10162DC	156-1495-00	MC10188PD/LD	156-0543-01
MC10133P/L	156-0520-00	MC10162L	156-1495-00	MC10H188	156-1992-00
MC10133PD/LD	156-0520-01	MC10H162LD/PD	156-1918-00	10189N	156-0542-01
MC10134P/L	156-1020-00	MC10164	156-0640-01	10189N/F	156-0542-00
10135DCQR	156-0688-01	MC10164L	156-0640-00	GXB10189P/D	156-0542-00
10135FB	156-0688-01	MC10164PD/LD	156-0640-02	MC10189PD/LD	156-0542-01
MC10135L	156-0688-00	PB10164C	156-0640-00	MC10H189P/L	156-2722-00
MC10135PD/LD	156-0688-01	MC10H164LD/PD	156-1667-00	10192DCQR	156-1309-00
MC10136L	156-0641-00	10165FB	156-1022-01	10192FB	156-1309-00
MC10136PD/LD	156-0641-01	MC10165L/P	156-1022-00	MC10192LD	156-1309-00
PB10136D	156-0641-00	MC10165LD/PD	156-1022-01	MC10194PD/LD	156-1657-00
MC10H136LD/PD	156-1889-00	N10165F	156-1022-00	MC10195L	156-0630-00
MC10137L	156-0510-00	10166DC	156-1023-00	MC10195PD/LD	156-0630-01
MC10138L	156-0642-00	10166DCQR	156-1023-01	MC10197L	156-1021-02
MC10138PD/LD	156-0642-01	MC10166L	156-1023-00	MC10197P/L	156-1021-00
10139F	156-1037-00	MC10166PD/LD	156-1023-01	MC10197PD/LD	156-1021-01
MCM10139	156-1037-00	10H166LD	156-2480-00	MC10198P/L	156-1713-00
10141DCQR	156-0638-02	MC10168P/L	156-2470-00	SG10203	156-0411-02
10141PCQR/DCQR	156-0638-01	10171F	156-1538-00	10H209	156-2057-00
MC10141L	156-0638-00	F10171DC	156-1538-00	10210	156-1019-01
MC10141L1	156-0638-02	MC10171L	156-1538-00	10210DC	156-1019-00
MC10141PD/LD	156-0638-01	10H171	156-2115-00	10210PCQR/DCQR	156-1019-02
10H141LD	156-1890-00	10172F	156-0758-00	MC10210P/L	156-1019-00
MC10H141L	156-1904-00	10172PCQR/DCQR	156-0758-01	MC10210PD/LD	156-1019-03
MC10H141LD/PD	156-1874-00	F10172DC	156-0758-00	MCM10210PD/LD	156-1019-02
F10144DC	156-0657-00	MC10172L	156-0758-01	MC10H210PD/LD	156-1711-00
F10144DC	156-0657-02	MC10172PD/LD	156-0758-00	F10211DC	156-0757-00
MCM10144	156-0657-01	SN10172J	156-0758-00	10211PCQR/DCQR	156-0757-01
MCM10144L	156-0657-02	MC10173	156-0632-01	MC10211P/L	156-0757-00
MCM10144L	156-0657-00	MC10173L	156-0632-02	MC10211PD/LD	156-0757-01
PD10144D	156-0657-00	MC10173L	156-0632-00	MC10H211P/L	156-2193-00
10145ADCQR	156-0847-01	MC10173PD/LD	156-0632-03	10212N	156-0848-01
MC10145L	156-0847-00	101H173	156-2116-00	F10212DCQR	156-0848-01
MC10H145P/L	156-1700-00	MC10174P/L	156-0637-00	MC10212P/L	156-0848-00
MC10H145P/L	156-1700-01	MC10174PD/LD	156-0637-01	MC10212PD/LD	156-0848-01
MC10145LDS	156-0847-01	MC10H174	156-1795-00	10216 Chip	156-0755-00
MC10146L	156-0761-00	10175DC	156-0760-00	10216	156-0755-01
MCM10147L	156-1035-00	10175F	156-0760-00	10216A	156-0369-00

This index is arranged in numerical order, disregarding letters which appear in some vendor numbers.

VENDOR NUMBER TO TEK PART NUMBER (cont)

Vendor Number	Part Number	Vendor Number	Part Number	Vendor Number	Part Number
10216L	156-0369-01	MC14001BCLD	156-0349-06	MC14051BCLD	156-0513-02
10216NB/FB	156-0369-03	MC14001UBCL	156-0349-00	MC14051BCL	156-0513-00
F10216DCQR	156-0369-03	MC14001UBCLD	156-0349-03	MC14051BCL	156-0513-03
MC10216P/L	156-0369-00	MC14002BCL	156-0754-00	HD1-4052B	156-0514-00
MC10216PD/LD	156-0369-03	MC14002BCLD	156-0754-02	HD14052BCP	156-0514-02
10231	156-0880-01	MC14006BCL	156-0681-00	MC14052BCL	156-0514-00
10231DC	156-0880-00	MC14006BCLDS	156-0681-02	MC14052BLD	156-0514-01
10231PCQR/DCQR	156-0880-02	MC1400U6	156-1812-00	14053B	156-0515-00
MC10231L	156-0880-00	MC14008BCLD	156-0502-02	MC14053BCL	156-0515-00
MC10231P/L	156-0880-03	MC14008BCL	156-0502-00	MC14053BCLD	156-0515-02
MC10231PD/LD	156-0880-02	MC14011BCL	156-0350-04	IMS140S-55	156-1694-00
10305	156-0071-02	MC14011BCLD	156-0350-05	MC14066B	156-0644-04
UPC1031H2	156-1779-00	MC14011BCLD	156-0360-06	MC14066BCL	156-0644-00
LT10318CH-R	156-1322-00	MC14011UBCL	156-0350-00	M14066BCLD	156-0644-03
MC10319L	156-2800-00	MC14011UBCLD	156-0350-02	MC14069UBCL	156-0745-00
MC10H350P/L	156-2350-00	MC14012BCL	156-0793-00	MC14069UBCLD	156-0745-01
10405DC	156-1035-00	MC14012BCLD	156-0793-02	MC14070BCL	156-0786-00
10405DC	156-1035-01	MC14013BCL	156-0366-00	MC14070BCLD	156-0786-02
F10402PC/DC	156-1700-00	MC14013BCLD	156-0366-02	MC14071BCL	156-1340-00
DM10414C-J	156-0657-02	MC14013BCLD	156-0366-03	MC14071BCLD	156-1340-01
DM10414C-J	156-0657-00	MC14014BCL	156-0568-00	MC14072	156-2777-00
10415A	156-0761-00	MC14015BCL	156-0801-00	MC14073BCL	156-2778-00
10415A	156-0761-01	MC14015BCL	156-0801-01	MC14075BCLDS	156-1480-00
AM10415ADC	156-0761-00	MC14017BCL	156-0799-00	MC14078BCLDS	156-1320-00
MBM10415AHC	156-0761-00	MC14017BCLD	156-0799-01	MC14081BCL	156-1478-00
MCM10415	156-0761-00	MC14018BCLDS	156-0519-00	MC14081BCLDS	156-1478-01
HM10422	156-1635-00	MC14018BCLDS	156-0519-01	AM1408L8	156-0509-00
HM10422	156-1773-00	MC14020BCL	156-0895-00	AM1408L8-B	156-0509-03
DM10422A	156-1635-00	MC14020BCLD	156-0895-01	MC1408L8	156-0509-00
DM10422AJ	156-2172-00	14021A	156-0576-01	MC1408-L8	156-0509-01
MBM10422C-G	156-1774-00	MC14021BCL	156-0576-00	MC14088N	156-0509-00
10422DK	156-2172-00	MC14021BCLD	156-0576-02	MC1408L8DS	156-0509-03
B10470	156-1227-00	MC14022BCLD	156-1369-00	MC14093BCL	156-0961-00
F10470DC	156-1227-00	MC14023BCL	156-0524-00	MC14093BLDS	156-0961-02
F10470DCQR	156-1227-01	MC14023BCLDS	156-0524-02	MC14094BCLD	156-0796-01
HM10470DG	156-1227-00	MC14024BCL	156-0523-00	MC14094BP	156-0796-02
DM10474-AJ	156-1679-01	MC14024BCLD	156-0523-01	MC14175BCL	156-0931-00
HM10480	156-1975-00	MC14025UBCL	156-0575-05	MC141943B	156-2779-00
S10754	156-1482-00	MC14025BCL	156-0575-00	MC14433P	156-1154-00
10875	156-0071-03	MC14025BCLD	156-0575-03	MC14433PD	156-1118-00
OP-11050Y	156-1537-00	MC14027B	156-0525-00	MC14435FL	156-0749-00
11203	156-0933-02	MC14027BCLD	156-0525-03	14490	156-0763-01
AD11/279	156-1367-00	MC14028BCL	156-0756-00	MC14490VL	156-0763-00
AD11/296	156-1366-00	MC14028BCLD	156-0756-01	MC14490BCLD	156-0763-02
AD11/386	156-0719-01	MC14035BCL	156-0580-00	MC14504BCLD	156-1487-00
MC12013	156-2220-00	MC14035BCLD	156-0580-02	MC14508BCL	156-0897-00
MC12015PD/LD	156-1862-00	MC14040BCL	156-0545-00	MC14511BCLD	156-0795-01
MC12040L/P	156-0518-00	MC14040BCLD	156-0545-01	MC14511BCL	156-0795-00
MC12061PD	156-0624-01	MC14042BCL	156-0800-00	MC14511P	156-0795-02
MC12061P/L	156-0624-00	MC14042BCLD	156-0800-01	MC14512BCLD	156-1486-00
EA1208-2	156-0216-00	MC1404AU5DS	156-1437-00	MC14516CP	156-0582-01
MC12090L	156-0377-00	MC1404AU6DS	156-1436-00	MC14516BCL	156-0582-00
EA1210-7	156-0217-00	14046	156-0704-00	MC14516BCLD	156-0582-02
LF13202N	156-0911-00	MC14046CP	156-0704-00	MC14516BCLD	156-0582-03
LF13333	156-1211-01	MC14046CP	156-0704-01	CD14518BCJ	156-0752-00
LF13333N	156-1211-00	MC14049UBCL	156-0494-00	MC14518BCL	156-0752-00
LF13508D	156-1270-00	MC14049BCLD	156-0494-02	MC14518BCLD	156-0752-01
LF13509	156-1788-00	MC14050BCL	156-0330-00	MM14518BCJA+	156-0752-01
MSA-0135-11	156-2401-00	MC14050BCLD	156-0330-02	14519C	156-0505-01
MC14001BCL	156-0349-05	HD1-4051B	156-0513-00	MC14519BCL	156-0505-00

This index is arranged in numerical order, disregarding letters which appear in some vendor numbers.

VENDOR NUMBER TO TEK PART NUMBER (cont)

Vendor Number	Part Number	Vendor Number	Part Number	Vendor Number	Part Number
MC14519BCLD 14520	156-0505-02 156-0579-01	TIBPAL16R8-25CN SP16905	156-2946-00 156-0377-00	D2118-4 2125H-1	156-1552-00 156-1995-00
MC14520BCL MC14520BCLD MC14521BCL	156-0579-00 156-0579-02 156-0864-00	TC17G000 SL17084L HD1-74C00	062-8159-00 156-0107-00 156-0941-00	2125AL-2 D2125H-2 2147H-2	156-1350-00 156-1995-00 156-1690-00
MCM14521BCLD 14528	156-0864-01 156-0578-01	HD1-74C08 HD1-74C10	156-0577-00 156-0938-00	D2147D-2 D2147HL-3	156-1228-00 156-1613-00
MC14528BCL MC14528BCLDS MC14532BCL	156-0578-00 156-0578-02 156-1282-00	MC1741CP1 MC1741CP1DS MC1741CP1DS	156-0067-00 156-0067-10 156-0067-01	TMS2147H-4 MCM2147C7D D2148HL-3	156-1690-00 156-1228-00 156-1574-00
MC14532BCL MC14538SBCL MC14538SBCLDS MC14543BCJ/A + MC14543BLDS	156-1122-02 156-1152-00 156-1152-01 156-1556-00 156-1556-00	HD1-74C14 HD1-74C32 HD1-74C42 HD1-74C48 HD1-74C89	156-0876-00 156-0766-00 156-0566-00 156-0886-00 156-0894-00	DP2149H-2 UPD2167-3 SL21721 SL21770 D2187-3	156-1695-00 156-1615-00 156-0053-00 156-0013-00 156-1941-00
MC14553BCL MC14553BCLD MC14555BCL MC14556BCLD MC14556BCLD	156-0896-00 156-0896-01 156-1368-00 156-0898-00 156-0898-01	HA17555PC HA17555PC HA17904PS TBP18S030 TBP18SA030	156-0402-04 156-0402-05 156-2055-00 156-0425-00 156-1325-00	UPD23128 SL23300 MSA-0235-21 UPD23640 SL23750	156-1782-00 156-0285-00 156-2402-00 062-5456-00 156-0077-00
MC14557BPD/LD 14559 HD14559BP MC14559BCPDS/BCLDS MC14559BCL	156-1879-00 156-0583-01 156-0583-00 156-0583-02 156-0583-00	TBP18SA030 SDG18138 HL18292 HL18293 HD18341	156-1390-00 156-1236-00 156-0010-00 156-0012-00 156-0011-00	SL23898 SL23900 MMX24030P MTC2517-3 25LS175J/PC	156-0274-00 156-0275-00 156-1788-00 156-0393-00 156-0392-01
MC14559BLCD MC14562BPD/LD 14572 HD14572UBC MC14572UBCP/L	156-0583-03 156-1878-00 156-0767-01 156-0767-02 156-0767-00	TML1852-DI-P2 PAL19L8-25NT 20051 CX20052A TMM2016P-1	156-2860-00 156-2937-00 156-2984-00 156-2248-00 156-2016-00	AM25LS175PCB/DCB AM25LS175PQCR/DCQR SL25693 2606-B1 2606B-1	156-0392-01 156-0392-01 156-0067-09 156-0695-00 156-0695-01
MC14572UBCLD MC14574 MC1458P1DS/UDS MC1458P1/U MC1458P3	156-0767-02 156-2258-00 156-0158-07 156-0158-00 156-0158-01	PAL20R4-15 PAL20R4-25 PAL20R6-15 PAL20R6-25 PAL20L8-15	156-2948-00 156-2938-00 156-2969-00 156-2939-00 156-2943-00	AM26LS31JP4 D2716-1 OP-27-170Z AMD27S191ADC AMD27191DC	156-1681-00 156-1417-00 156-2712-00 156-1675-00 156-1687-00
MC14584B MC14584BCLD MC1458JG4 14585 MC14585BCL	156-2008-00 156-0876-02 156-0158-07 156-0548-01 156-0548-00	PAL20R8-15 PAL20L8-25 PAL20R8-25 20V8-25 ULN2083A-1	156-2947-00 156-2936-00 156-2940-00 156-3012-00 156-1527-00	27C256 AMD27S291DC AM2732-1DC AM2732A-2 2732A-3	156-3052-00 156-1672-00 156-1651-00 156-1625-02 156-1598-01
MC14585BCLD HA1-5680-I SN15830N 15835N SN15836	156-0548-02 156-1443-00 156-0187-00 156-0195-00 156-0169-00	2101-1 2101-2 SY21H01-2 SY21H01-2 2101-4	156-1052-00 156-1051-00 156-1298-00 156-1298-01 156-1052-00	D2732A-3 MBM2732A-3OC TMS2732AJL-3 D2732A-3 AM2732A-3DC	156-1598-00 156-1598-00 156-1598-00 156-1598-00 156-1598-00
15837N SN15846N SN15846N 15849 15858N	156-1124-00 156-0170-00 156-0170-01 156-1121-00 156-1123-00	2104A-1 2104A-4 2104A-4 SDG211CJ04 D2111A-2	156-1185-00 156-0972-02 156-0975-05 156-1850-00 156-1188-00	MBM2732A-30C AM27503DM AM27503J AT27C512 D27513	156-1598-00 156-1189-01 156-1189-00 156-2919-00 156-2877-00
15861N SN15862N 15863N PAL16R4-15CN PAL16R4-25CN	156-1120-00 156-0185-00 156-1122-00 156-2934-00 156-2942-00	SY2111A-2 HM2112-1 D2114AL-3 2114AL-4 2114AL-4	156-1188-00 156-1685-00 156-1614-00 156-1028-01 156-1028-00	AM27529A 2764A-2 AM2764-3DC AM2764A-3DC D2764-3	156-2062-00 156-2408-00 156-1603-00 156-2198-00 156-1603-00
TIBPAL16R6-15 TIBPAL16R8-15 PAL16R6-25CN PAL16L8-15CN PAL16L8-25CN	156-2393-00 156-2394-00 156-2963-00 156-2935-00 156-2941-00	C2114AL-4 D2114AL-4 D2114AL-4 P2114AL-4 SL21170	156-1461-02 156-1127-00 156-1461-00 156-1281-00 156-0013-00	D2764A-3 P2764-3 P2764A-3 AM2764A-4DC D2764-4	156-2198-00 156-2784-00 156-2542-00 156-2197-00 156-1630-00

This index is arranged in numerical order, disregarding letters which appear in some vendor numbers.

VENDOR NUMBER TO TEK PART NUMBER (cont)

Vendor Number	Part Number	Vendor Number	Part Number	Vendor Number	Part Number
D2764A-4	156-2197-00	MCC4002	156-2674-00	CD40103BFX	156-1568-00
WD2797-02	156-1983-00	MC34004D	156-2051-00	CD40106BFDX	156-0876-02
D2816A-3	156-2163-00	TMS34010	156-2999-00	CD40115D	156-1319-00
D2816-3	156-1602-00	F34011	156-0628-00	TC40H138P	156-1827-00
2817A-3	156-2192-00	LM340T-12	156-0285-00	TC40H139P	156-1826-00
2817A-4	156-2140-00	LM340T-12	156-0285-02	TC40H153	156-1825-00
D2817-4	156-1735-00	LM340T-15	156-0312-00	F40157	156-2003-00
SL28430	156-1097-04	LM340T-15	156-0988-00	TC40H157P	156-1824-00
SL28885	156-1283-00	34024BDC	156-0523-00	TC40H158P	156-1949-00
IDM2901A-1JC/DC	156-1043-00	LM340T-24	156-0926-00	TC40H174P	156-1768-00
IDM2901A-2DC	1043-01	34025DC	156-0575-02	TC40H175P	156-1823-00
IDM2901A-2NCA + /JCNA	156-1043-03	34035DC	156-0580-00	40193BDC	156-0627-02
HA2-911-5	156-0132-00	34051BD	156-0513-00	HEF40193BTD	156-2133-00
AM29112DC	156-2917-00	34052BD	156-0514-00	AD40227	156-1249-00
AM29116DCB	156-2071-00	MC34060P	156-2395-00	TC40H244P	156-1765-00
AM29516ADC	156-2690-00	MC34082AP	156-2873-00	TC40H245P	156-1767-00
AM29521DCB	156-2506-00	MC34083AP	156-2985-00	TC40H259	156-1822-00
AM2960-1DCB	156-2231-00	MC34083P	156-2880-00	MK4027P-2	156-1112-00
AM29664DCB	156-2040-00	MC34084AP	156-2817-00	MK4027P-3	156-1027-00
AM29703PC	156-0599-00	MC34085AF	156-2614-00	MK4027P-3	156-1027-01
AM29818	156-2072-00	LM341P-15.0TB	156-1262-00	MK4027J-3	156-1027-02
AM29821SDCB	156-1702-00	LM345-5.2K	156-1348-00	40H273P	156-1770-00
AM29823DCB	156-1963-00	34702	156-0850-01	MK4027-4	156-0972-00
AM29824PCB/DCB	156-1736-00	EA3503-7	156-0214-00	MK4027-4	156-0972-01
AM29825DCB	156-2079-00	35392C	156-1484-00	40H365	156-2005-00
29827A	156-1840-01	FS35392	156-0964-00	TC40H365P	156-1821-00
AM29827DCB	156-1840-00	MK36000N-4	062-4325-01	TC40H366P	156-0449-00
AM29827PC/DC	156-2923-00	MK36000P/J-4	062-4325-00	TC40H367P	156-1820-00
AM29833PC/DC	156-2922-00	MK36000-5	062-4325-01	TC40H368P	156-1819-00
AM29841DC	156-1855-00	MK36000P-5	156-1361-00	AD40374	156-1322-00
AM29844PC	156-2611-00	MK36000P/J-5	062-4503-00	TC40H393P	156-1818-00
AM29853PC/DC	156-2920-00	P/D3604L-6	156-0971-00	AD40764	156-1492-01
AM29854PC/DC	156-2921-00	D3624-4	156-0903-00	AD41055	156-1259-00
SCM30111LK	156-0657-02	DS3632N-8	156-1966-00	411-12BINI	156-0415-00
SCM30121L	156-0761-00	HD3-6402	156-1310-00	411-12BINI	156-0415-01
SL30738	156-0363-01	LM368H-10	156-2186-00	AD41127	156-1457-00
SCM30149L	156-2172-00	SCM37226P/L	156-0978-00	4116-2	156-1353-01
CA3080AS/5	156-0936-00	SCM37227P/L	156-0979-00	4116-2	156-1353-02
AY-3-1015DP/DC	156-0361-03	SCM37228P/L	156-0980-00	4116N-3	156-0968-03
HS3120C-2	156-1811-00	SCM37229P/L	156-0981-00	MK4116P-3	156-0968-01
CA3160E/5	156-1114-01	SN38624J	156-0331-02	STC4116-3D	156-0968-00
NS32016	156-3007-00	3880N-4	156-0983-02	MK4118AP/J-1	156-1575-00
NS32081	156-3006-00	MK3880P-4/J-4	156-0983-00	MK4118A-2	156-1383-00
NS32082	156-3008-00	MK3880P-4/J-4	156-0983-01	MK4118AN-4	156-1382-02
3H-2185-AA	156-2454-00	MK3880P-6	156-0983-03	MK4118A-4P/J	156-1382-01
RO-3-2513	156-0147-00	MK3882N/P-4MKX	156-1620-00	AD41201	156-1623-00
RO-3-2513	062-4181-00	TC40H000P	156-1766-00	UPD41254DC	156-2372-00
RO-3-2513	156-0401-00	TC40H002	156-1831-00	UPD4164C-2	156-1626-00
RO-3-2513	156-0423-00	TC40H010P	156-1931-00	UPD41416	156-2145-00
RO-3-2513	156-0882-00	TC40H011P	156-1830-00	S42168	156-1330-00
EA3305-7	156-0211-00	P4002-2	156-0797-00	TM4256HE4	156-3014-00
EA3310-7	156-0212-00	TC40H032P	156-1829-00	HM4334P-3	156-1786-00
SL-33116	156-2189-02	AD40060	156-0317-00	EA43356	062-4497-00
EA3311-7	156-0213-00	AD40060 + BI	156-0317-03	EA43356	156-1158-00
MSA-0335-21	156-2403-00	MK4006P-6	156-0179-00	EA43357	156-4497-00
MSA-0338-12	156-2688-00	TC40H074P	156-1828-00	EA43357	156-1157-00
34001BDC	156-0349-01	40097DCQR	156-0649-02	BT453KC-40	156-3013-00
MC34001P	156-1149-01	HEF40097BTD	156-2132-00	458KG-75	156-3010-00
MC34001PDS	156-1149-01	F40098BCD	156-1341-00	46252	156-1583-00
MC34002	156-1989-00	F40098BDCQR	156-1341-01	HD46850P/C	156-0658-00

This index is arranged in numerical order, disregarding letters which appear in some vendor numbers.

VENDOR NUMBER TO TEK PART NUMBER (cont)

Vendor Number	Part Number	Vendor Number	Part Number	Vendor Number	Part Number
IM4702-6A	156-0850-00	63S281	156-2803-00	SN74H106N	156-0188-00
MK4801AP/J4	156-1382-00	63S281	156-2865-00	DM74107NA + /JA +	156-1083-00
HM4816AP-7	156-1798-00	6349-1J	156-1392-00	N74107NB/FB	156-1083-00
HM4864P-2	156-0450-00	SC63501F	156-1650-00	SN74107NP3/JP4	156-1083-00
HM4864-3DCL	156-1626-00	6353-1J	156-1213-00	SN74ALS107AN	156-2118-00
Z50249	156-0415-00	6381-1JS	156-2150-00	74C107	156-0680-01
AY-5-1013A	156-0361-00	63S841	156-2636-00	MM74C107J	156-0680-00
AY-5-1013	156-0361-01	VT64SK4-04	156-2665-00	MM74C107JA +	156-0680-02
AY-5-1013	156-0361-02	SR64K4S-45P	156-2665-00	MC74HC107	156-2851-00
51079	156-1420-00	R6500/1EAC	156-1402-00	MM74HC107N	156-2851-00
M5G1400P	156-1566-00	SY6500/1EA	156-1402-00	SN74HC107	156-2851-00
HA-5160-5	156-2214-00	6514-5	156-1359-01	N74109B	156-1015-00
52S046	156-0940-00	HM65256AP	156-2687-00	SN74109N	156-1015-00
5H-2092-AA	156-2454-00	R6545-1P	156-1785-00	74ALS109NP3/JP4	156-1755-00
MM52132	062-4654-00	65SC51-2	156-1987-00	SN74ALS109	156-1755-00
MM52138N	156-0540-00	HMI-6562-9	156-0887-00	74F109PCQR/DCQR	156-1919-00
MM52145	062-4501-00	6605AL-2	156-0635-01	MC74F109ND/JD	156-1919-00
AY-5-2376	156-1541-00	6605AL-2	156-0635-02	N74F109NB/FB	156-1919-00
52415	062-4501-00	MCM6605AL-2	156-0635-00	74LS109N/F	156-1059-00
5363-1J	156-1213-00	MCM66700	062-4180-00	74LS109PC/DC	156-1059-00
D53658N/J	156-2957-00	MCM66714C	156-1208-00	74LS109PCQR/DCQR	156-1059-01
54100	156-0191-00	MCM66750	156-0950-00	DM74LS109NA + /JA +	156-1059-01
SNC54111J	156-0828-00	MCM66750PDS/LDS	156-0950-02	HD74LS109P	156-1059-01
SNC54121J	156-0829-00	SC67013LK	156-0426-03	SN74LS109AN/J	156-1059-00
SNC54122J	156-0830-00	67110D	156-0949-00	SN74LS109ANDS/JDS	156-1059-01
54123J	156-0603-01	SC67127P	156-1342-01	SN74LS109ANP3/JP4	156-1059-01
SN54123DM	156-0603-00	SC67608LD	156-0658-01	74S109	156-1061-01
SN54132J	156-0831-00	SC67608P	156-0678-01	74S109PC/DC	156-1061-00
SNC54145J	156-0832-00	SC67702L	156-1013-00	74S109PCQR/DCQR	156-1061-02
SNC54150J	156-0833-00	6803-1	156-1579-01	74111	156-0174-01
SNC54151J	156-0834-00	HD6803P-1	156-1683-00	74111J	156-0593-00
SNC54154J	156-0835-00	SL68104	156-0910-00	74111J	156-0593-01
SNC54164	156-0836-00	MC68HC11A8P	156-2733-00	SN74111N/J	156-0174-00
SNC54175J	156-0837-00	MC68121L	156-1660-00	SN74111NP3/JP4	156-0174-02
SNC54177J	156-0838-00	MCM68308	156-0764-00	74F112	156-1974-00
SNC54180J	156-0839-00	MCM68A308L	062-4173-00	74LS112PC/DC	156-1258-00
SNC54193J	156-0840-00	MCM68A316E/L	062-4174-00	DM74LS112N	156-1258-00
SNC54197J	156-0841-00	MC68A332	062-4182-00	DM74LS112NA + /JA +	156-1258-01
M54533	156-1837-00	MC68A332	062-4504-00	DM74LS112NA + /JA +	156-1258-01
TC5514AD-3	156-2087-00	MC68A40R10	156-2361-00	N74LS112NA + /JA +	156-1258-00
NE5534P3	156-1338-02	SYC6845EA-1	156-1785-00	SN74LS112N/J	156-1258-00
TC5565PL-1	156-1817-00	MC68488L	156-1246-00	SN74LS112NDS/JDS	156-1258-01
MM58167AN/D	156-1601-00	SCN68681	156-2103-00	SN74LS112NP3/JP4	156-1258-01
WS59032DG	156-2916-00	MC68701L	156-1579-00	SN74ALS112NP3/JP4	156-1758-00
HM6116P-2	156-1893-00	MCM68764C/L	156-1559-00	74S112	156-1996-00
HM6116P-2	156-2012-00	68881	156-2616-00	DM74S112N/J	156-0118-00
HM6116LP-4	156-1632-00	SC71196LH	156-1266-01	N74S112BIIB	156-0118-03
HM6147G-3	156-1613-00	TMSB73001LA	156-0055-00	SN74S112N	156-0118-02
MB62110	156-1776-00	TMSB73001LA	156-0055-01	SN74S112JP3	156-0118-03
SC62438L	156-0705-00	TMS7C3003LA	156-0051-00	74LS113N	156-0567-01
SCM62462L	156-0657-00	SC73198L	156-0495-02	74LS113PC/DC	156-0567-00
SC62473	156-0675-00	74100	156-0193-01	74LS113PCQR/DCQR	156-0567-02
6U27A17	156-1485-00	N74100N	156-0193-00	DM74LS113N/J	156-0567-00
6U27A18	156-1488-00	N74100NB/FB	156-0193-02	DM74LS113NA + /JA +	156-0567-02
6U27A19	156-1489-00	SN74100NP3/JP4	156-0193-02	N74LS113N/F	156-0567-00
SC62821LK	156-0369-01	74H102	156-0100-02	N74LS113NB/FB	156-0567-02
6301-1J	156-1453-00	74H102N/F	156-0100-00	SN74LS113N/J	156-0567-00
MMI6306-1J	156-0859-00	SN74H102N/J	156-0100-00	SN74LS113NDS/JDS	156-0567-02
63S141J/D	156-1628-00	74104N	156-0184-00	SN74LS113NP3/JP4	156-0567-02
63S241N	156-0859-01	DM74H106N	156-0188-00	74S113	156-1447-00

This index is arranged in numerical order, disregarding letters which appear in some vendor numbers.

VENDOR NUMBER TO TEK PART NUMBER (cont)

Vendor Number	Part Number	Vendor Number	Part Number	Vendor Number	Part Number
DM74S113NA + /JA + N74S113NB/FB SN74S113NP3/JP4 74116PC/DCQR SN74116N	156-1629-00 156-1629-00 156-1629-00 156-0521-02 156-0521-00	N74128NB/FB N74128N/F SN74128N/J SN74128NP3/JP4 DM744ALS131N/J	156-0451-02 156-0451-00 156-0451-00 156-0451-02 156-2538-00	SN74ALS138N3/J4 74F138 MC74F138ND/JD 74HC138 74LS138	156-2100-00 156-1727-00 156-1727-00 156-2763-00 156-0469-01
SN74116NP3/JP4 74121 74121 74121PC/DC 74121PCQR/DCQR	156-0521-02 156-0072-01 156-0562-01 156-0072-00 156-0072-02	SN74ALS131N/J SN74AS131N 74132 74132PC/DC 74132PCQR/DCQR	156-2538-00 156-2927-00 156-0371-01 156-0371-00 156-0371-02	74LS138PC 74LS138PCQR/DCQR N74LS138NB/FB SN74LS138NB2/JB2 SN74LS138NDS/JDS	156-0469-00 156-0469-02 156-0469-02 156-0469-02 156-0469-02
DM74121N/J N74121NB/FB SN74121J SN74121N/J N74121N/F	156-0072-00 156-0072-02 156-0562-00 156-0072-00 156-0072-00	DM74132N/J DM74132NA + /JA + N74132N/J N74132NB/FB SN74132N/J	156-0371-00 156-0371-02 156-0371-00 156-0371-02 156-0371-00	SN74LS138NP3/JP4 74F138NB/FB 74S138 74S138 74S138PC	156-0469-02 156-1727-00 156-0694-01 156-2945-00 156-0694-00
SN74121NP3/JP4 74122 74122J 74122J 74122J	156-0072-02 156-0143-01 156-0594-00 156-0594-01 156-0595-01	SN74132NP3/JP4 74HC132 74LS132 74LS132 74LS132	156-0371-02 156-3062-00 156-0721-00 156-0721-01 156-0721-04	74S138DCQR/PCQR DM74S138JA + N74S138FB SN74S138JB SN74S138JP4	156-0694-02 156-0694-02 156-0694-02 156-0694-02 156-0694-02
74122PC/DC 74122PCQR/DCQR SN74122N SN74122N/J SN74122NP3/JP4	156-0143-00 156-0143-02 156-0143-01 156-0143-00 156-0143-02	74LS132 74LS132PCQR/DCQR 74LS132PCQR/DCQR DM74LS132NA + /JA + N74LS132NB/FB	156-0721-03 156-0721-02 156-0721-05 156-0721-02 156-0721-02	SN74S138N/J SN74S138N3/J4 SN74139NP3/JP4 N74ALS139ND/JD SN74ALS139N	156-1194-00 156-0694-02 156-0692-02 156-2293-00 156-2293-00
HD74LS122 74S122 74123 74123DC 74123J	156-1465-00 156-1199-00 156-0172-01 156-0595-00 156-0595-00	SN74LS132NDS/JDS SN74LS132NP3/JP4 SN74LS132NP3/JP4 SN74LS132N3/N4 74S132DCQR/PCQR	156-0721-02 156-0721-02 156-0721-05 156-0721-02 156-0413-02	74F139NB/FB 74F139PCQR/DCQR 74HC139 TC74HC139P 74HCT139JA + /NA +	156-1726-00 156-1726-00 156-3063-00 156-2841-00 156-2337-00
74123PC/DC 74123PCQR/DCQR DM74123NA + /JA + N74123N/F N74123F	156-0172-00 156-0172-02 156-0172-02 156-0172-00 156-0595-00	AN74S132NB/FB AN74S132N/J N74S132N/J N74S132NB/FB SN74S132N	156-0413-00 156-0413-00 156-0413-00 156-0413-02 156-0413-01	74HCT139NB CD74HCT139EX 74LS139 74LS139 74LS139PCQR/DCQR	156-2337-00 156-2337-00 156-0541-01 156-0541-00 156-0541-02
SN74123J SN74123N/J DM74LS123NA + /JA + HD74LS123 HD74LS123	156-0595-00 156-0172-00 156-1600-00 156-1466-00 156-1600-00	SN74S132NP3/JP4 DM74ALS133NA + /JA + SN74ALS133NP3/JP4 74LS133 74LS133PC/DC	156-0413-02 156-1759-00 156-1759-00 156-0866-01 156-0866-00	N74LS139NB/FB SN74LS139NDS/JDS SN74LS139NP3/JP4 74S139 74S139NB/JB	156-0541-02 156-0541-02 156-0541-02 156-0693-01 156-0693-02
SN74LS123NDS/JDS SN74LS123NP3/JP4 SN74S124NP3/JP4 74LS125APC/DC M74HC125	156-1600-00 156-1600-00 156-1584-00 156-1373-00 156-2707-00	74LS133PCQR/DCQR SN74LS133N/J SN74LS133NDS/JDS 74S133 74S133	156-0866-02 156-0866-00 156-0866-02 156-0472-00 156-0472-01	74S139P 74S139PCQR/DCQR DM74S139NA + /JA + N74S139NB/FB SN74S139NB/FB	156-0693-00 156-0693-02 156-0693-02 156-0693-02 156-0693-02
DM74LS125N/J DM74LS125NA + /JA + SN74LS125AN/J SN74LS125N3/J4 N74126N/F	156-1373-00 156-1373-01 156-1373-00 156-1373-01 156-0396-00	74S133PCQR/DCQR DM74S133NA + /JA + N74S133NB/FB SN74S133NP3/JP4 74S134DCQR	156-0472-03 156-0472-03 156-0472-03 156-0472-03 156-1573-00	74S140PC/DC 74S140PCQR/DCQR DM74S140N/J DM74S140NA + /JA + N74S140N/F	156-0419-00 156-0419-02 156-0419-00 156-0419-02 156-0419-00
74F126 74HC126 74LS126PCQR/DCQR DM74LS126NA + /JA + N74LS126NB/FB	156-3100-00 156-2580-00 156-1619-00 156-1619-00 156-1619-00	DM74S134NA + /JA + N74S134FB SN74S134NP3/JP4 74LS136PC 74LS136PCQR/DCQR	156-1573-00 156-1573-00 156-1573-00 156-0990-00 156-0990-01	N74S140NB/FB SN74S140N/J SN74S140N SN74S140NP3/JP4 74141PC	156-0419-02 156-0419-00 156-0419-01 156-0419-02 156-0080-00
SN74LS126NDS/JDS 74128 74128 74128J 74128J	156-1619-00 156-0451-01 156-0451-03 156-0613-00 156-0613-01	SN74LS136N SN74LS136N SN74LS136NP3/JP4 74LS137 SN74138PCQR/DCQR	156-0990-00 156-0990-02 156-0990-01 156-1900-00 156-1727-00	DM74141N SN74141N 74145 74145J 74145J	156-0080-00 156-0080-00 156-0111-01 156-0598-00 156-0598-01

This index is arranged in numerical order, disregarding letters which appear in some vendor numbers.

VENDOR NUMBER TO TEK PART NUMBER (cont)

Vendor Number	Part Number	Vendor Number	Part Number	Vendor Number	Part Number
74145PC	156-0111-00	74S151PC	156-0324-00	74LS154	156-1026-03
74145PCQR/DCQR	156-0111-02	74S151PCQR/DCQR	156-0324-03	74LS154N	156-1026-00
DM74145N	156-0111-00	DM74S151N	156-0324-00	DM74LS154NA +	156-1026-02
DM74145NB/FB	156-0111-02	DM74S151NA +/JA +	156-0324-03	DM74LS154N	156-1026-00
N74145B	156-0111-00	N74S151B	156-0324-00	SN74LS154NP3	156-1026-02
N74145NB/FB	156-0111-02	N74S151NB/FB	156-0324-03	74155	156-0110-01
SN74145N	156-0111-00	SN74S151N	156-0324-00	74155PC/DC	156-0110-00
SN74145NP3/JP4	156-0111-02	SN74S151NB/JB	156-0324-03	74155PCQR/DCQR	156-0110-02
SN74LS145N3/J4	156-1235-00	SN74S151NP3/JP4	156-0324-03	DM74155N/J	156-0110-00
SN74LS145ND/JD	156-1235-00	SN74AS151N/J	156-0324-02	DM74155NA +/JA +	156-0110-02
74147	156-0347-01	74153	156-0098-01	N74155N/F	156-0110-00
DM74147NA +/JA +	156-0347-02	74153	156-0604-01	N74155NB/FB	156-0110-02
SN74147N/J	156-0347-00	74153J	156-0604-00	SN74155N/J	156-0110-00
SN74147NP3/JP3	156-0347-02	74153PC	156-0098-00	SN74155NP3/JP4	156-0110-02
74HC147	156-3078-00	74153PCQR/DCQR	156-0098-02	74LS155	156-0390-01
SN74LS147N	156-1177-00	DM74153N	156-0098-00	74LS155PC/DC	156-0390-00
SN74LS147NP3	156-1177-01	DM74153NA +/JA +	156-0098-02	74LS155PCQR/DCQR	156-0390-02
74148PC	156-0219-00	N74153B	156-0098-00	DM74LS155N/J	156-0390-00
N74148B	156-0219-00	N74153NB/FB	156-0098-02	DM74LS155NA +/JA +	156-0390-02
N74148NB	156-0219-02	SN74153N	156-0098-00	N74LS155N/F	156-0390-00
SN74148N	156-0219-00	SN74153NP3/JP4	156-0098-02	N74LS155NB/FB	156-0390-02
SN74148N3/J4	156-0219-02	SN74ALS153N3/J4	156-2109-00	SN74LS155N/J	156-0390-00
74F148PCQR	156-2038-00	SN74AS153N3/J4	156-2428-00	SN74LS155NDS/JDS	156-0390-02
74LS148	156-1252-00	74F153NB/FB	156-1662-00	SN74LS155NP3/JP4	156-0390-02
SN74LS148N/J	156-1252-01	MC74F153ND/JD	156-1662-00	74156	156-0141-01
SN74LS148NP3/JP4	156-1252-01	74F153PCQR/DCQR	156-1662-00	74156PC/DC	156-0141-00
SN74LS148NP3	156-1252-00	74HC153	156-2581-00	74156PCQR/DCQR	156-0141-02
74150	156-0299-01	74LS153	156-0798-01	DM74156N/J	156-0141-00
74150J	156-0597-00	74LS153PC/DC	156-0798-00	DM74156NA +/JA +	156-0141-02
74150J	156-0597-01	74LS153PCQR/DCQR	156-0798-02	N74156N/F	156-0141-00
74150PC	156-0299-00	N74LS153N/F	156-0798-00	N74156NB/FB	156-0141-02
74150PCQR/DCQR	156-0299-02	SN74LS153N/J	156-0798-00	SN74156N/J	156-0141-00
DM74150NA +/JA +	156-0299-02	SN74LS153NP3/JP4	156-0798-02	SN74156NP3/JP4	156-0141-02
N74150NB/FB	156-0299-02	SN74LS153NDS/JDS	156-0798-02	74LS156	156-1432-01
74151	156-0075-01	SN74LS153NB/JB	156-0798-02	74LS156PC/DC	156-1432-00
74151J	156-0563-00	74S153DCQR	156-0325-02	74LS156PCQR/DCQR	156-1432-02
74151J	156-0563-01	74S153PC/DC	156-0325-00	N74LS156N/F	156-1432-00
74151APC/DC	156-0075-00	DM74S153N/J	156-0325-00	N74LS156NB/FB	156-1432-02
74151PCQR/DCQR	156-0075-02	N74S153FB	156-0325-02	SN74LS156N/J	156-1432-00
DM74151AN/J	156-0075-00	N74S153N/J	156-0325-00	SN74LS156NDS/JDS	156-1432-02
DM74151NA +/JA +	156-0075-02	SN74S153JB	156-0325-02	SN74LS156NP3/JP4	156-1432-02
SN74AS151N3/J4	156-2073-00	SN74S153JP3	156-0325-02	74157	156-0125-01
74C151	156-0648-00	SN74S153N	156-0325-01	74157PC	156-0125-00
MM74C151J	156-0869-00	SN74S153N/J	156-0325-00	74157PCQR/DCQR	156-0125-02
MM74C151JA +	156-0869-01	74154	156-0078-01	DM74157N	156-0125-00
74F151NB/FB	156-1746-00	74154J	156-0564-00	DM74157NA +/JA +	156-0125-02
74F151PCQR/DCQR	156-1746-00	74154J	156-0564-01	N74157B	156-0125-00
MC74F151ND/JD	156-1746-00	74154PC	156-0078-00	N74157NB/FB	156-0125-02
74HC151	156-3066-00	74154PCQR/DCQR	156-0078-02	SN74157N	156-0125-00
74LS151	156-0994-01	DM74154N	156-0078-00	SN74157NP3/JP4	156-0125-02
74LS151N/J	156-0994-00	DM74154NA +/JA +	156-0078-02	SN74ALS157N/J	156-2182-00
74LS151PC/DC	156-0994-00	N74154N	156-0078-00	MC74ALS157N/J	156-2182-00
74LS151PCQR/DCQR	156-0994-02	N74154NB/FB	156-0078-02	74AS157	156-2159-00
DM74LS151NB2/JB2	156-0994-02	SN74154N	156-0078-00	74AS157NA +	156-2159-00
HD74LS151P/C	156-0994-00	SN74154NP3/JP4	156-0078-02	74C157	156-0547-01
HD74LS151P/C	156-0994-02	MM74C154J	156-0650-00	MM74C157J	156-0547-00
SN74LS151N/J	156-0994-00	MM74HC154	156-2117-00	MM74C157JA +	156-0547-02
SN74LS151NDS/JDS	156-0994-00	DM74L154N	156-1201-00	MM74C157JA +	156-0547-03
SN74LS151NP3/JP4	156-0994-02	SN74L154N	156-1201-00	74F157NB/FB	156-1909-00
74S151	156-0324-01	74LS154	156-1026-01	74F157PCQR/DCQR	156-1909-00

This index is arranged in numerical order, disregarding letters which appear in some vendor numbers.

VENDOR NUMBER TO TEK PART NUMBER (cont)

Vendor Number	Part Number	Vendor Number	Part Number	Vendor Number	Part Number
74HC157	156-2088-00	AM74S161JB	156-1044-01	74165	156-0146-00
MC74HC157N	156-1958-00	SN74S161J	156-1044-00	74165	156-0146-01
74LS157	156-0530-01	DM74ALS162NA + /JA +	156-2333-00	74165PCQR/DCQR	156-0146-02
74LS157PC	156-0530-00	SN74ALS162AN3/J4	156-2333-00	DM74165NA + /JA +	156-0146-02
74LS157PCQR/DCQR	156-0530-02	SN74ALS162ND/JD	156-2333-00	N74165NB/FB	156-0146-02
DM74LS157N	156-0530-00	74LS162J	156-0788-01	SN74165NP3/JP4	156-0146-02
SN74LS157NB2/JB2	156-0530-02	DM74LS162NA + /JA +	156-0788-01	74C165	156-0625-01
SN74LS157NDS/JDS	156-0530-02	N74LS162AN/F	156-0788-00	74C165N/JA +	156-0625-01
SN74LS157NP3/JP4	156-0530-02	N74LS162NB/FB	156-0788-01	MM74C165J	156-0625-00
74S157	156-1064-01	SN74LS162N/J	156-0788-00	74HC165	156-3065-00
N74S157B/F	156-1064-00	SN74LS162NB2/JB2	156-0788-01	74LS165	156-0789-01
N74S157FB	156-1064-02	SN74LS162NDS/JDS	156-0788-01	SN74LS165N	156-0789-00
SN74S157N/J	156-1064-00	SN74LS162NP3/JP4	156-0788-01	SN74LS165NDS/JDS	156-0789-02
SN74S157JB	156-1064-02	74163	156-0248-01	SN74LS165NP3/JP4	156-0789-02
SN74S157JP4	156-1064-02	74163PC	156-0248-00	74166	156-0301-00
SN74ALS158N	156-2161-00	74163PCQR/DCQR	156-0248-02	74166	156-0301-01
74AS158NA +	156-2295-00	DM74163AN	156-0248-00	74166PC/DC	156-0301-02
SN74AS158N3/J4	156-2295-00	DM74163ANA + /JA +	156-0248-02	DM74166NA + /JA +	156-0301-02
74F158PCQR/DCQR	156-1997-00	ITT74163N	156-0248-00	SN74LS166NDS/JDS	156-1313-00
N74F158NB/FB	156-1997-00	N74163N	156-0248-00	SN74LS166NP3/JP4	156-1313-00
74LS158PC/DC	156-1395-00	N74163NB/FB	156-0248-02	SN74AS168N	156-2867-00
74LS158PCQR/DCQR	156-1395-01	SN74163N	156-0248-00	74LS168PC	156-1371-00
DM74LS158N/J	156-1395-00	SN74163NP3/JP4	156-0248-02	DM74LS168NA + /JA +	156-1371-00
DM74LS158NA + /JA +	156-1395-01	SN74AS163N3/J4	156-1935-00	SN74LS168ANDS/JDS	156-1371-00
SN74LS158ND/JD	156-1395-01	SN74AS163N3/J4	156-2520-00	SN74ALS169N3	156-2169-00
SN74LS158ND3/JP4	156-1395-01	74F163PC/DC	156-1935-00	DM74ALS169N3	156-2169-00
74S158PC/DC	156-1351-00	MC74F163ND/JD	156-1935-00	SN74AS169N3/J4	156-2373-00
N74S158N/F	156-1351-00	74LS163	156-0784-01	74F169PCQR	156-2630-00
N74S158NB/FB	156-1351-01	DM74LS163ANA +	156-0784-02	DM74LS169N/J	156-0957-00
SN74S158N/J	156-1351-00	N74LS163N/F	156-0784-00	DM74LS169NA + /JA +	156-0957-01
SN74S158NP3/JP4	156-1351-01	SN74LS163AN/J	156-0784-00	SN74LS169NB2/JB2	156-0957-01
SN74S158NP3/JP4	156-1351-01	SN74LS163ANP3	156-0784-02	SN74LS169NDS/JDS	156-0957-01
SN74S158PC/DC	156-1351-00	SN74S163J	156-1198-00	74S169	156-0765-01
SN74159	156-0929-00	SN74S163JP4	156-1198-01	74S169	156-0765-03
74160N	156-0261-00	74164	156-0131-01	74S169J4	156-0765-05
74F160PCQR/DCQR	156-2345-00	74164J	156-0610-00	SN74S169J/N	156-0765-00
MC74F160ND/JD	156-2345-00	74164J	156-0610-01	SN74S169N3	156-0765-04
74HC160NA +	156-1750-00	74164PC	156-0131-00	SN74S169JP4	156-0765-05
MC74HC160NDS	156-1750-00	75164PCQR/DCQR	156-0131-02	74S169ANB	156-0765-06
74161	156-0117-01	DM74164N	156-0131-00	74LS170	156-0732-01
74161J	156-0605-00	DM74164NA + /JA +	156-0131-02	74LS170PC	156-0732-00
74161J	156-0605-01	N74164A	156-0131-00	DM74LS170N	156-0732-00
74161PC/DC	156-0117-00	N74164NA + /JA +	156-0131-02	N74LS170B	156-0732-00
74161PCQR/DCQR	156-0117-02	SN74164N	156-0131-00	SN74LS170N	156-0732-00
N74161N/F	156-0117-00	SN74164NP3/JP4	156-0131-02	74C173	156-0574-01
N74161NB/FB	156-0117-02	SN74ALS164	156-2110-00	MM74C173J	156-0574-00
SN74161N/J	156-1415-00	74C164	156-0572-01	MM74C173JA + /NA +	156-0574-02
SN74161NP3/JP4	156-0117-02	MM74C164J	156-0572-00	74HC173	156-3067-00
SN74161N/J	156-0117-00	MM74C164JA +	156-0572-02	74LS173	156-0951-01
SN74ALS161N3/J4	156-2098-00	74F164	156-2120-00	74LS173N/F	156-0951-00
74F161	156-2251-00	74HC164	156-3064-00	DM74LS173N/J	156-0951-00
74F161P	156-2530-00	74LS164	156-0651-01	DM74LS173NA + /JA +	156-0951-02
MM74HC161NA +	156-1762-00	74LS164PC/DC	156-0651-00	SN74LS173N/J	156-0951-00
74HCT161	156-2492-00	74LS164PCQR/DCQR	156-0651-02	SN74LS173N3/J4	156-0951-02
74LS161	156-0844-01	DM74LS164N/J	156-0651-00	SN74LS173NDS/JDS	156-0951-02
HD74LS161P/C	156-0844-02	N74LS164N/F	156-0651-00	74174	156-0222-01
SN74LS161AN	156-0844-00	N74LS164NB/FB	156-0651-02	74174	156-0222-03
SN74LS161AND/JD	156-0844-02	SN74LS164N/J	156-0651-00	74174PC	156-0222-00
SN74LS161ANP2/JB2	156-0844-02	SN74LS164NDS/JDS	156-0651-02	74174PCQR/DCQR	156-0222-02
SN74LS161N	156-0844-00	SN74LS164NP3/JP4	156-0651-02	DM74174N	156-0222-00

This index is arranged in numerical order, disregarding letters which appear in some vendor numbers.

VENDOR NUMBER TO TEK PART NUMBER (cont)

Vendor Number	Part Number	Vendor Number	Part Number	Vendor Number	Part Number
DM74174NA + /JA +	156-0222-02	SN74177	156-0536-01	SN74S189J4	156-1189-00
N74174B	156-0222-00	SN74177N	156-0536-00	SN74S189JB	156-1189-01
N74174NB/FB	156-0222-02	SN74177NP3/JP4	156-0536-02	74190	156-0340-01
SN74174N	156-0222-00	74180	156-0088-01	DM74190	156-0340-00
SN74174NP3/JP4	156-0222-02	74180J	156-0607-00	ITT74190N	156-0340-00
DM74ALS174NA + /JA +	156-2179-00	74180J	156-0607-01	N74190N/J	156-0340-00
SN74ALS174N3/J4	156-2179-00	74180PC	156-0088-00	SN74190N/J	156-0340-00
SN74AS174N	156-2928-00	74180PCQR/DCQR	156-0088-02	SN74190NP3/JP4	156-0340-02
74C174	156-0682-01	DM74180N	156-0088-00	SN74190PC/DC	156-0340-00
MM74C174J	156-0682-00	DM74180NA + /JA +	156-0088-02	74LS190PC/DC	156-0569-00
MM74C174NA + /JA +	156-0682-02	N74180A	156-0088-00	DM74LS190N/F	156-0569-00
74F174PCQR/DCQR	156-1911-00	N74180NB/FB	156-0088-02	DM74LS190N/J	156-0569-00
MC74F174NDS/JDS	156-1911-00	SN74180N	156-0088-00	SN74LS190NDS	156-0569-01
74LS174	156-0391-01	SN74180NP3/JP4	156-0088-02	SN74LS190NP3	156-0569-01
74LS174N/J	156-0391-00	74181PCQR/DCQR	156-0351-01	SN74LS190N/J	156-0569-00
74LS174PC/DC	156-0391-00	CM74181N/J	156-0351-00	74191	156-0175-01
74LS174PCQR/DCQR	156-0391-02	DM74181NA + /JA +	156-0351-01	74191PC/DC	156-0175-00
DM74LS174N/J	156-0391-00	SN74181N/J	156-0351-00	74191PCQR/DCQR	156-0175-02
DM74LS174NA + /JA +	156-0391-02	SN74181NP3/JP4	156-0351-01	DM74191NA + /JA +	156-0175-00
N74LS174N/F	156-0391-00	DM74AS181AN +	156-2322-00	DM74191NA + /JA +	156-0175-02
N74LS174NB/FB	156-0391-02	SN74AS181ANT	156-2322-00	SN74191N/J	156-0175-00
SN74LS174N/J	156-0391-00	74F181SPCQR/SPCQR	156-2501-00	SN74191NP3/JP4	156-0175-02
SN74LS174NP3/JP3	156-0391-02	74S181PCQR/DCQR	156-1376-00	DM74ALS91NA + /JA +	156-2334-00
74S174	156-0738-01	N74S181NB/FB	156-1376-00	SN74ALS191ND/JD	156-2334-00
74S174	156-0738-02	SN74S181N/J	156-1376-00	SN74ALS191N3/J4	156-2334-00
74S174PC	156-0738-00	SN74S181N/J	156-1196-00	74F191PCQR/DCQR	156-1714-00
N74S174F	156-0738-03	SN74S181NDS/JDS	156-1376-00	74LS191	156-0422-01
SN74S174J	156-0738-03	74F182PCQR/DCQR	156-2502-00	74LS191PC/DC	156-0422-00
SN74S174N	156-0738-00	74S182	156-0692-01	74LS191PCQR/DCQR	156-0422-02
SN74S174JP4	156-0738-04	74S182	156-1048-01	DM74LS191N/J	156-0422-00
74175	156-0221-01	74S182NSHRP/DSHRP	156-0692-02	N74LS191N/F	156-0422-00
74175J	156-0615-00	74S182N/D	156-0692-00	N74LS191NB/FB	156-0422-02
74175P	156-0221-00	74S182PC/DC	156-0692-00	SN74LS191N/J	156-0422-00
74175PCQR/DCQR	156-0221-02	N74S182F	156-1048-00	SN74LS191NP3/JP4	156-0422-02
DM74175NA + /JA +	156-0221-02	N74S182FB	156-1048-02	74192	156-0127-01
MC74175BCL	156-0931-00	N74S182N/F	156-0692-00	74192PC/DC	156-0127-00
N74175NB/FB	156-0221-02	N74S182NB/FB	156-0692-02	74192PCQR/DCQR	156-0127-02
SN74175NP3/JP4	156-0221-02	SN74S182J	156-1048-00	N74192NB/FB	156-0127-02
SN74ALS175N3/J4	156-2036-00	SN74S182J	156-1048-02	N74192N/F	156-0127-00
MM74C175J	156-0931-00	SN74S182JP4	156-1048-02	SN74192N/J	156-0127-00
MM74C175JA +	156-0931-01	SN74S182N/J	156-0692-00	SN74192NP3/JP4	156-0127-02
74F175PCQR/DCQR	156-1973-00	SN74S182NP3/JP4	156-0692-02	74L192	156-0245-01
MC74F175ND/JD	156-1973-00	SN74183N/J	156-0181-00	74LS192PC	156-0526-00
74HC175	156-2421-00	74H183N	156-0269-01	74LS192	156-0526-01
74LS175	156-0392-02	N74H183N/J	156-0269-00	74LS192PCQR/DCQR	156-0526-02
74LS175PC/DC	156-0392-00	74184	156-0315-00	DM74LS192N	156-0526-00
74LS175PCQR/DCQR	156-0392-03	74184	156-0315-01	DM74LS192NA + /JA +	156-0526-02
AM74LS175PCB/DCB	156-0392-03	DM74184NA + /JA +	156-0315-02	N74LS192B	156-0526-00
DM74LS175N/J	156-0392-00	SN74184NP3/JP4	156-0315-02	N74LS192NB/FB	156-0526-02
DM74LS175NA + /JA +	156-0392-03	74185	156-0345-01	SN74LS192N	156-0526-00
N74LS175N/F	156-0392-00	DM74185AN	156-0345-00	SN74LS192NP3/JP4	156-0526-02
N74LS175NB/FB	156-0392-03	DM74185NA + /JA +	156-0315-02	SN74LS192PCB/DCB	156-0526-02
SN74LS175N/J	156-0392-00	SN74185AN	156-0345-00	74193	156-0089-01
SN74LS175NB/JB	156-0392-03	SN74185ANP3/JP4	156-0345-02	79193J	156-0565-00
SN74LS175NP3/JP4	156-0392-03	74S188DM	062-4588-00	79193J	156-0565-01
N74S175FB	156-0948-02	74F189	156-1934-00	74193PC/DC	156-0089-00
SN74S175J4	156-0948-02	CM74LS189JA +	156-0599-00	74193PCQR/DCQR	156-0089-02
74177J	156-0606-00	AM74S189JB	156-1189-00	N74193N/F	156-0089-00
74177J	156-0606-01	DM74S189	156-0599-00	N74193NB/FB	156-0089-02
74177PCQR/DCQR	156-0536-02	SN74S189J	156-1189-00	SN74193N/J	156-0089-00

This index is arranged in numerical order, disregarding letters which appear in some vendor numbers.

VENDOR NUMBER TO TEK PART NUMBER (cont)

Vendor Number	Part Number	Vendor Number	Part Number	Vendor Number	Part Number
SN74193NP3/JP4	156-0089-02	SN74S195JB	156-0326-03	IDT74FCT240D	156-2785-00
74C193	156-0627-01	SN74S195JP4	156-0326-03	MM74HCT240N	156-2184-00
MM74C193J	156-0627-00	SN74S195N/J	156-0326-00	74LS240	156-0914-01
MM74C193JA+	156-0627-02	SN74S195NB/JB	156-0326-02	74LS240N/J	156-0914-00
74HC193	156-3025-00	SN74S195NP3/JP4	156-0326-02	74LS240N/J	156-0914-02
74HC193N	156-2958-00	SN74196N/J	156-0097-00	74LS240N/J	156-0914-03
SN74HC193N	156-2958-00	SN74196NP3/JP4	156-0097-01	74LS240PC/DC	156-0914-00
SN74L193N	156-0489-00	74LS196	156-0727-00	74LS240PCQR/DCQR	156-0914-02
74LS193	156-0412-01	74LS196PCQR/DCQR	156-0727-01	N74LS240N/F	156-0914-00
74LS193PC/DC	156-0412-00	N74LS196NB/FB	156-0727-01	N74LS240NB/FB	156-0914-02
74LS193PCQR/DCQR	156-0412-02	SN74LS196NB2/JB2	156-0727-01	SN74LS240N/J	156-0914-00
DM74LS193N/J	156-0412-00	SN74LS196NDS/JDS	156-0727-01	SN74LS240NDS/JDS	156-0914-02
DM74LS193NA+/JA+	156-0412-02	SN74LS196NP3/JP4	156-0727-01	SN74LS240NP3/JP4	156-0914-02
N74LS193N/F	156-0412-00	74S196	156-0883-01	74S240J	156-1058-00
N74LS193NB/FB	156-0412-02	DM74S196J	156-0883-00	AMD74S240JB	156-1058-01
SN7LS193N/J	156-0412-00	DM74S196JA+	156-0883-02	SN74S240J	156-1058-00
SN74LS193NDS/JDS	156-0412-02	DM74S196NA+/JA+	156-0482-01	SN74S240JP4	156-1058-01
SN74LS193NP3/JP4	156-0412-02	DM74S196N/J	156-0482-00	SN74S240JSHRP	156-1058-01
74194	156-0697-00	74197	156-0142-01	SN74ALS241N/J	156-2180-00
74194	156-0697-01	74197J	156-0596-00	74F241PCQR/DCQR	156-1745-00
SN74AS194N	156-2929-00	74197J	156-0596-01	74F241NB/FB	156-1745-00
74F194NB	156-1961-00	74197PC	156-0142-00	74F241NB/FB	156-1745-00
74F194PCQR	156-1961-00	74197PCQR/DCQR	156-0142-02	MC74F241ND/JD	156-1745-00
74LS194A	156-0768-00	DM74197N	156-0142-00	74HCT241P	156-2245-00
74LS194APCQR/DCQR	156-0768-01	DM74197NA+/JA+	156-0142-02	MM74HCT241P	156-2245-00
SN74LS194ANP3/JP4	156-0768-01	SN74197N	156-0142-00	74LS241	156-0955-01
SN74LS194PCB/DCB	156-0767-02	SN74197NP3/JP4	156-0142-02	74LS241N/J	156-0955-00
74S194	156-0744-01	74LS197	156-0629-00	74LS241PC/DC	156-0955-00
74S194	156-0744-02	74LS197PCQR/DCQR	156-0629-01	74LS241PCQR/DCQR	156-0955-02
74S194DC	156-0744-03	DM74LS197NA+/JA+	156-0629-01	N74LS241N/F	156-0955-00
74S194PC/DC	156-0744-00	N74LS197NB/FB	156-0629-01	N74LS241NB/JB	156-0955-02
AM74S194J	156-0744-03	SN74LS197NP3	156-1183-00	SN74LS241N/J	156-0955-02
SN74S194NP3/JP4	156-0744-04	SN74LS197NDS/JDS	156-0629-01	SN74LS241NB/JB	156-0955-02
SN74S194J	156-0744-03	SN74LS197NDS/JDS	156-0629-02	SN74LS241NDS/JDS	156-0955-02
SN74S194N/J	156-0744-00	74F219DCQR	156-2201-00	SN74LS241NP3/JP4	156-0955-00
74195	156-0367-01	74221	156-0706-01	SN74LS241NP3/JP4	156-0955-02
74195PC/DC	156-0367-00	SN74221N/J	156-0706-00	74S241JSCR	156-1179-01
74195PCQR/DCQR	156-0367-02	SN74221NP3/JP4	156-0706-02	SN74S241JB	156-1179-01
DM74195N/J	156-0367-00	74C221	156-0750-01	SN74S241JP4	156-1179-01
DM74195NA+/JA+	156-0367-02	74C221N	156-0750-03	SN74S241N20	156-1179-00
N74195N/F	156-0367-00	MM74C221J/A+	156-0750-02	SN74S241N/J	156-1179-00
N74195NB/FB	156-0367-02	74HC221A	156-2588-00	74LS242	156-1025-01
SN74195N/J	156-0367-00	74LS221	156-0733-01	SN74LS242N/J	156-1025-00
SN74195NP3/JP4	156-0367-02	DM74LS221N/J	156-0733-00	SN74LS242NB/NJ	156-1025-02
N74F195NB/FB	156-2518-00	SN74LS221N/J	156-0733-00	SN74LS242NDS/JDS	156-1025-02
74LS195APC/ADC	156-0376-00	SN74LS221N/J	156-0733-03	SN74LS242NP3/JP4	156-1025-02
74LS195PCQR/DCQR	156-0376-01	SN74LS221N3/J4	156-0733-02	DM74ALS243N	156-1908-00
DM74LS195AN/AJ	156-0376-00	SN74LS221NDS/JDS	156-0733-02	74LS243	156-0928-01
N74LS195AN/AF	156-0376-00	SN74LS221NDS/JDS	156-0733-04	AM74LS243N/J	156-0928-00
N74LS195ANB/FB	156-0376-01	SN74LS224N3	156-1867-00	SN74ALS243-1NP3/JP4	156-1938-00
SN74LS195AN/AJ	156-0376-00	74S225J	156-1524-00	SN74LS243NDS/JDS	156-0928-02
SN74LS195NP3/JP4	156-0376-01	SN74ALS233AN	156-2964-00	SN74LS243N/J	156-0928-00
SN74LS195ANDS/JS	156-0376-01	74ALS240NDS/JDS	156-1753-00	SN74LS243NB/JB	156-0928-02
74S195	156-0326-01	74ALS240NP3/JP4	156-1753-00	SN74LS243NP3/JP4	156-0928-02
74S195PC/DC	156-0326-00	74ALS240-1N3/J4	156-1753-01	74ALS244	156-1906-00
DM74S195NA+	156-0326-02	SN74AS240N15	156-2482-00	74ALS244	156-2107-00
DM74S195N/J	156-0326-00	MM74C240	156-1994-00	74ALS244N3/J4	156-1754-01
DM74S195NA+/JA+	156-0326-03	74F240PCQR/DCQR	156-1744-00	74ALS244NP3/JP4	156-1754-00
N74S195N/F	156-0326-00	MC74F240	156-1744-00	DM74ALS244-1NA+	156-1754-02
N74S195NB/FB	156-0326-02	MC74F240ND/JD	156-1744-00	SN74ALS244A-1N3	156-1754-02

This index is arranged in numerical order, disregarding letters which appear in some vendor numbers.

VENDOR NUMBER TO TEK PART NUMBER (cont)

Vendor Number	Part Number	Vendor Number	Part Number	Vendor Number	Part Number
SN74ALS244	156-2099-00	74LS253PC	156-0471-00	SN74265JP4	156-0696-02
SN74ALS244Y	156-2099-01	74LS253PCQR/DCQR	156-0471-02	SN74265N/J	156-0696-00
74AS244	156-2434-00	DM74LS253NA + /JA +	156-0471-02	74HC266	156-3104-00
74C244	156-0436-00	N74LS253NB/FB	156-0471-02	74LS266	156-0652-01
74F244P	156-1962-00	SN74LS253NP3/JP4	156-0471-02	74LS266PC	156-0652-00
MC74F244P	156-1962-00	SN74LS253NDS/JDS	156-0471-02	74LS266PCQR/DCQR	156-0652-02
N74F244N	156-1962-00	SN74ALS257N	156-2210-00	DM74LS266N	156-0652-00
IDT74FCT244D	156-2786-00	SN74AS257N3/J4	156-2377-00	DM74LS266NA + /JA +	156-0652-02
74HCT244N-BP	156-1920-00	74F257PCQR/DCQR	156-2001-00	N74LS266N	156-0652-00
74HCT244P	156-1920-00	MC74F257	156-2001-00	N74LS266NB/FB	156-0652-00
74LS244	156-0956-01	N74F257NA + /JA +	156-2001-00	SN74LS266N	156-0652-00
74LS244	156-0956-03	Q74HCT257EX98	156-2370-00	SN74LS266N	156-0652-03
N74LS244N/F	156-0956-00	74HCT257NB/FB	156-2370-00	SN74LS266NDS/JDS	156-0652-02
N74LS244NB/FB	156-0956-02	74LS257	156-0529-01	SN74LS266NP3/JP4	156-0652-02
N74LS244NB/FB-04	156-0956-04	74LS257PC/DC	156-0529-00	SN74273NP3/JP4	156-1708-00
N74LS244NB/JB-04	156-0956-04	74LS257PCQR/DCQR	156-0529-02	SN74ALS273ND/JD	156-1998-00
SN74LS244NB/JB	156-0956-02	N74LS257N/F	156-0529-00	74ALS273NP3/JP4	156-1998-00
SN74LS244NDS/JDS	156-0956-02	SN74LS257N/J	156-0529-00	N74F273N	156-2539-00
SN74LS244N/J	156-0956-00	SN74LS257NB2/JB2	156-0529-02	N74LS273N	156-2624-00
SN74LS244N/J	156-0956-02	SN74LS257NDS/JDS	156-0529-02	74HC273	156-2584-00
SN74LS244NP3/JP4	156-0956-02	SN74LS257NP3/JP4	156-0529-02	74LS273	156-0865-01
74ALS1245N3/J4	156-1748-00	74S257	156-0522-01	74LS273PC/DC	156-0865-00
74ALS245-1N3/J4	156-1748-01	74S257	156-0522-00	74LS273PCQR/DCQR	156-0865-02
74ALS245NP3/JP4	156-1748-02	74S257PCQR/DCQR	156-0522-02	N74LS273N/F	156-0865-00
SN74AS245N	156-2930-00	DM74S257NB/JB	156-0522-02	N74LS273NB/JB	156-0865-02
74F245NB/FB	156-1725-00	N74S257NB/FB	156-0522-02	SN74LS273NP3/JP4	156-0865-02
74F245PCQR/DCQR	156-1725-00	SN74S257NB/JB	156-0522-02	SN74LS273NDS/PDS	156-0865-02
MC74F245ND/JD	156-1725-00	SN74S257NP3/JP4	156-0522-02	74276	156-1542-00
IDT74FCT245D	156-2787-00	SN74AS258N	156-2494-00	SN74276N3/J4	156-1981-00
74HC245	156-2415-00	74F258PCQR/DCQR	156-2222-00	SN74278N3	156-2070-00
74HCT245P	156-1921-00	N74F258NA + /JA +	156-2222-00	74279	156-0508-00
MD74HCT245RE	156-1921-00	74LS258PCQR/DCQR	156-1229-01	74279	156-0508-01
MM74HCT245N	156-1921-00	DM74LS258NA + /JA +	156-1229-01	74279PCQR/DCQR	156-0508-02
74LS245	156-1111-01	N74LS258AN/F	156-1229-00	N74279NB/FB	156-0508-02
SN74LS245J	156-1111-02	N74LS258NB/FB	156-1229-01	SN74279NP3/JP4	156-0508-02
SN74LS245JDS	156-1111-02	SN74LS258N/J	156-1229-00	74LS279	156-0804-01
SN74LS245JP3	156-1111-02	SN74LS258ND/JD	156-1229-01	74LS279	156-0804-03
SN74LS245N/J	156-1111-00	SN74LS258NP3/JP4	156-1229-01	74LS279N/J	156-0804-00
AM74251N	156-0701-00	74S258DCQR	156-1547-00	74LS279PC/DC	156-0804-00
DM74251N	156-0701-00	74S258FB	156-1547-00	74LS279PCQR/DCQR	156-0804-02
DM74251NA + /JA +	156-0397-02	SN74S258JP4	156-1547-00	DM74LS279NA + /JA +	156-0804-02
M74251J	156-0397-01	N74F259NB	156-2503-00	SN74LS279N/J	156-0804-00
SN74251N/J	156-0397-00	74LS259	156-0874-00	SN74LS279NDS/JDS	156-0804-02
SN74251NP3/JP4	156-0397-02	74LS259	156-0874-01	SN74LS279NP3/JP4	156-0804-02
74F251PCQR	156-2257-00	74LS259N	156-0874-00	74F280	156-2039-00
74LS251	156-0470-01	N74LS259PCQR/DCQR	156-0874-02	74LS280	156-0915-01
74LS251N/J	156-0470-00	SN74LS259N	156-0874-00	SN74LS280N	156-0915-00
74LS251PC/DC	156-0470-00	SN74LS259NDS/JDS	156-0874-02	SN74LS280N3/J4	156-0915-02
74LS251PCQR/DCQR	156-0470-02	SN74LS259NP3/JP4	156-0874-02	74F283PCQR/DCQR	156-1705-00
DM74LS251N/J	156-0470-00	74LS260	156-0985-02	74LS283	156-0679-00
SN74LS251N/J	156-0470-00	74LS260PC/DC	156-0985-00	74LS283PCQR/DCQR	156-0679-01
SN74LS251NB2/JB2	156-0470-02	74LS260PCQR	156-0985-01	DM74LS283NA + /JA +	156-0679-01
SN74LS251NDS/JDS	156-0470-02	N74LS260AN/F	156-0985-00	N74LS283NB/FB	156-0679-01
SN74LS251NP3/JP4	156-0470-02	N74LS260ALB	156-0966-01	SN74LS283NDS/JDS	156-0679-01
N74S251B	156-0701-00	N74LS260FB/NB	156-0985-01	SN74LS283NP3/JP4	156-0679-01
SN74S251N	156-0701-00	SN74LS260N/J	156-0985-00	SN74S283J	156-1292-00
74F253N	156-2260-00	SN74LS260NDS/JDS	156-0985-01	SN74S283JP4	156-1292-01
74F253NB	156-2260-00	SN74S260N	156-0966-00	DM74S287J	156-1452-00
74F253PCQR	156-2260-00	SN74S260NP3	156-0966-01	DM74S288J	156-1151-00
74LS253	156-0471-01	74265	156-0696-01	DM74S288SX/N	156-0425-00

This index is arranged in numerical order, disregarding letters which appear in some vendor numbers.

VENDOR NUMBER TO TEK PART NUMBER (cont)

Vendor Number	Part Number	Vendor Number	Part Number	Vendor Number	Part Number
SN74S288J	156-0785-00	SN74LS365NP3/JP4	156-1220-01	N74LS374N/F	156-0982-00
SN74LS290	156-1222-00	DM74LS366N/J	156-0702-00	N74LS374N	156-0982-02
74LS295A	156-0734-01	DM74LS366NA + /JA +	156-0702-01	SN74LS374N	156-0982-02
74LS295PC/DC	156-0734-00	SN74LS366N	156-0702-00	SN74LS374N	156-0982-03
74LS295PCQR/DCQR	156-0734-02	SN74LS366ND/JD	156-0702-01	SN74LS374NB2/JB2	156-0982-03
DM74LS295N/J	156-0734-00	SN74LS366NP3/JP4	156-0702-01	SN74LS374N/J	156-0982-00
N74LS295N/F	156-0734-00	74F367	156-3099-00	SN74LS374N3/J4	156-0982-03
N74LS295NB/FB	156-0734-02	74LS367	156-0852-01	N74LS374NB/FB	156-0982-03
SN74LS295N/J	156-0734-00	HD74LS367AP	156-0852-00	74S374	156-1046-01
SN74LS295NP3/JP4	156-0734-02	HD74LS367AP	156-0852-02	DM74S374J	156-1046-00
74298	156-0373-01	N74LS367N/F	156-0852-00	SN74S374J	156-1046-00
74298PC/DC	156-0373-00	SN74LS367ANDS	156-0852-02	SN74S374JP4	156-1046-02
74298PCQR/DCQR	156-0373-02	SN74LS367N/J	156-0852-00	M74SC374AE	156-1327-00
N74298N/J	156-0373-00	SN74LS367NP3	156-0852-02	N74LS375NB/FB	156-1318-00
N74298NB/FB	156-0373-02	SN74LS367AN/J	156-0852-00	SN74LS375NDS/JDS	156-1318-00
SN74298N/J	156-0373-00	SN74ALS368N3/J4	156-2181-00	SN74LS375NP3/JP4	156-1318-00
SN74298NP3/JP4	156-0373-02	74LS368	156-0720-01	N74F377N	156-2924-00
74LS298PC/DC	156-1045-00	74LS368PC	156-0720-00	74HC377N	156-2859-00
74LS298PCQR/DCQR	156-1045-01	74LS368PCQR/DCQR	156-0720-02	SN74HC377N	156-2859-00
SN74LS298N/J	156-1045-00	DM74LS368N	156-0720-00	CD74HCT377EX	156-2783-00
SN74LS298NDS/JDS	156-1045-01	SN74LS368N	156-0720-00	TP74HCT377P	156-2783-00
SN74LS298NP3/JP4	156-1045-01	SN74LS368NP3/JP4	156-0720-02	74LS377	156-0913-01
SN74ALS299N3/J4	156-1856-00	SN74LS368NDS/JDS	156-0720-02	74LS377PC/DC	156-0913-00
74F299PCQR	156-2259-00	74ALS373N3	156-2065-00	N74LS377N/F	156-0913-00
74LS299	156-0975-01	SN74ALS373N3/J4	156-2111-00	N74LS377NB/FB	156-0913-02
74LS299P/C	156-0975-03	SN74AS373N3/J3	156-2065-00	SN74LS377N/J	156-0913-00
74LS299PC/DC	156-0975-00	MM74C373JA +	156-1398-00	SN74LS377NDS/LDS	156-0913-02
DM74LS299NB/JB	156-0975-02	74F373NB/FB	156-1721-00	SN74LS377NP3/JP4	156-0913-02
SN74LS299N/J	156-0975-00	MC74F373ND/JD	156-1721-00	74F378PCQR/DCQR	156-2067-00
SN74LS299NB/JB	156-0975-03	MM74HC373	156-2010-00	MC74F378ND/JD	156-2067-00
SN74LS299NP3/JP4	156-0975-02	74HCT373	156-2134-00	N74F378NB/FB	156-2067-00
SN74S299J	156-1197-00	74HCT373P	156-2134-00	N74LS378NB/FB	156-1221-00
SN74S299NP3	156-1197-01	CD74HCT373P	156-2134-00	SN74LS378NP3/JP4	156-1221-00
74LS321	156-1901-00	74FS373PCQR/DCQR	156-1721-00	SN74LS378NDS/JDS	156-1221-00
74LS322PC/DC	156-1481-00	74LS373N/J	156-1065-00	74F379PCQR	156-2264-00
SN74LS322NP3/JP4	156-1481-00	74LS373PCQR/DCQR	156-1065-01	SN74LS379N3/J4	156-1326-00
74LS348	156-2771-00	74LS373PC/DC	156-1065-00	SN74LS379NB2/JB2	156-1326-00
SN74LS348N/J	156-1176-00	AM74LS373PCB/DCB	156-1065-01	N74F381N	156-2975-00
SN74LS348NP3	156-1176-01	N74LS373N/F	156-1065-00	74S381	156-0691-01
74F350PCQR/DCQR	156-2504-00	SN74LS373N/J	156-1065-00	74S381J	156-0691-03
SN74ALS352N3	156-2618-00	SN74LS373NP3/JP4	156-1065-01	SN74S381N/J	156-0691-00
SN74AS352N/J	156-2499-00	AM74S373J	156-1250-01	SN74S381J	156-0691-02
N74F352NB/FB	156-2154-00	SN74S373J	156-1250-01	SN74LS382N3/J4	156-1865-00
MC74F352	156-2154-00	SN74S373N	156-1250-00	SN74390N/J	156-0626-00
74F352DCQR	156-2154-00	SN74S373NB/JB	156-1250-02	SN74390NP3/JP4	156-0602-02
74LS352PCQR/DCQR	156-1521-00	SN74S373NP3/JP4	156-1250-02	74LS390	156-0910-01
SN74LS352NP3/JP4	156-1521-00	74SC373	156-2122-00	74LS390PCQR/DCQR	156-0910-02
SN74AS353N	156-2931-00	SN74AS374N3/J4	156-2382-00	SN74LS390N/J	156-0910-00
74F353PCQR/DCQR	156-2497-00	MM74C374JA +	156-1327-01	SN74LS390NDS/JDS	156-0910-02
74LS354	156-2552-00	MM74C374NA + /JA +	156-1327-00	SN74LS390NP3/JP4	156-0910-02
SN74LS356N3	156-2081-00	MC74C374AC	156-1646-00	74393	156-0617-01
SN74LS362J4	156-0993-01	74F374	156-1704-00	SN74393N/J	156-0617-00
SN74LS362N	156-0993-00	74F374	156-1704-01	SN74393NP/JP4	156-0617-02
DM74365	156-1187-00	74F374PCQR/DCQR	156-1704-00	74HC393	156-2981-00
SN74365N	156-1187-00	74HC374	156-3107-00	74HC393N	156-2906-00
DM74LS365N/J	156-1220-00	74LS374	156-0982-01	MM74HC393N	156-2906-00
DM74LS365NA + /JA +	156-1220-01	74LS374	156-0982-04	74LS393P	156-1172-00
N74LS365NB/FB	156-1220-01	74LS374PC/DC	156-0982-00	74LS393PCQR/DCQR	156-1172-01
SN74LS365AN/J	156-1220-00	74LS374PCQR/DCQR	156-0982-03	DM74LS393N	156-1172-00
SN74LS365NDS/JDS	156-1220-01	DM74LS374NA + /JA +	156-0982-03	DM74LS393NA +	156-1172-02

This index is arranged in numerical order, disregarding letters which appear in some vendor numbers.

VENDOR NUMBER TO TEK PART NUMBER (cont)

Vendor Number	Part Number	Vendor Number	Part Number	Vendor Number	Part Number
SN74LS393NDS	156-1172-02	74HCT573	156-3077-00	SN74ALS760N	156-2932-00
SN74LS393NDS/JDS	156-1172-01	SN74HCT573N3/J3	156-2356-00	SN74LS794N	156-2341-00
SN74LS393NP3/JP4	156-1172-01	SN74ALS574NP3/JP4	156-1664-00	SN74ALS804N/J	156-2481-00
SN74LS393N	156-1172-00	74AS573	156-2613-00	74AS804A	156-2124-00
SN74LS393N3/J4	156-1172-03	74AS574	156-3000-00	SN74AS804N/J	156-1617-00
74F398PCQR	156-2157-00	SN74AS574	156-2612-00	SN74AS805A/N3	156-2166-00
74F399PC	156-1936-00	74F574PC	156-2953-00	SN74AS808A/N3	156-2156-00
74F399PCQR/DCQR	156-1634-00	74HC574	156-3026-00	SN74ALS832AN	156-2998-00
SN74LS399NB/JB	156-1388-00	74HC574	156-3069-00	SN74AS832BN3/J4	156-2158-00
SN74LS399NP3/JP4	156-1388-00	SN74HCT574N3/J3	156-2357-00	TI74FPLA839CNT	156-2505-00
SN74LS399DS/JDS	156-1388-00	SN74ALS580N3/J4	156-2022-00	SN74ALS841NT	156-2342-00
74F407SDC	156-2925-00	SN74LS590N3/J4	156-2331-00	SN74ALS843NT	156-2950-00
SN74S409-2N48	156-2078-00	SN74LS592J4/N3	156-2456-00	SN74AS850N/J	156-2521-00
SN74LS423N	156-2023-00	SN74LS593P3/N4	156-0437-00	CY7C48-55	156-1574-00
74LS450NSHRP/JSHRP	156-0942-00	MC74HC595NDS/JDS	156-2349-00	SN74AS857NT3/JT4	156-2386-00
74LS450NSHRP/JSHRP	156-1761-00	SN74LS595N3/J4	156-1917-00	74AS866N3	156-2028-00
SN74LS461	156-1732-00	74HC597	156-3108-00	74AS867NT/JT	156-2389-01
74S471J	156-0960-00	SN74LS597NP3/JP4	156-2141-00	SN74AS867NT3/JT4	156-2389-00
74LS490PCQR/DCQR	156-1448-01	74LS606N/J	156-1914-00	DM74ALS874ANTA +	156-2294-00
SN74LS490N3/J4	156-1448-00	SN74ALS623N3	156-2153-00	SN74AS869NT3	156-2291-00
SN74LS490NDS/JDS	156-1448-00	SN74LS623NP3/JP4	156-1861-00	SN74AS870NT3/JT4	156-2387-00
SN74LS490NP3/JP4	156-1448-00	74LS628	156-2970-00	SN74AS873NT3	156-2234-00
74LS490PC/DC	156-1448-00	SN74LS629N/J	156-0861-00	SN74LS873NT3/JT4	156-2431-00
SN74LS491NS/J5	156-2042-00	SN74LS629NP3/JP4	156-0861-01	SN74ALS874NT3	156-2294-00
DM74ALS521NA +	156-2238-00	SN74ALS640NP3/JP4	156-2221-00	SN74AS874NT3	156-2232-00
SN74ALS521N3	156-2238-00	SN74ALS640NP/DP	156-2221-00	SN74ALS876NT3	156-2285-00
74F521	156-0441-01	SN74ALS640N	156-2211-00	DM74AS876NA +	156-2318-00
74F521PC/DC	156-0441-00	SN74LS640-INP3/JP4	156-1912-00	SN74AS876NT3	156-2318-00
MC74F521ND/JD	156-0441-00	74LS644-1N3	156-2206-00	SN74AS880NT	156-2966-00
N74F521N/F	156-0441-00	SN74ALS646N3	156-2086-00	74AS881NP3/JP4	156-1703-00
74F533	156-1871-00	74AS646	156-2406-00	MC74C911N/J	156-1430-00
74F534	156-2002-00	SN74AS646NT3	156-2229-00	MM74C912N/J	156-1431-00
74F538PCQR	156-2083-00	SN74LS646NTP3	156-1661-00	MM74C923N	156-1215-00
74F539PC	156-2548-00	74ALS648NT3	156-2020-00	MM74C923JA +	156-1215-01
SN74ALS540J/N	156-2863-00	SN74AS648NT	156-2965-00	SN74ALS996NT	156-2954-00
SN74ALS540N	156-2933-00	SN74ALS652N + 3/J + 4	156-2292-00	SC75012P	156-0930-00
74LS540N	156-2852-00	SN74AS652NT3	156-2236-00	IM7505A-2CJF	156-0635-00
SN74ALS541N3/J4	156-2391-00	SN74LS652N3/J4	156-2044-00	75107A	156-0177-01
74F541PC	156-2364-00	N74F657N	156-2971-00	75107APC	156-0177-00
N74F541N	156-2364-00	74LS670	156-0989-01	75107PCQR/DCQR	156-0177-02
MC74HCT541N	156-2369-00	74LS670PC/DC	156-0989-00	SN75107ANP3/JP4	156-0177-02
SN74HCT541N3/J3	156-2369-00	74LS670PCQR/DCQR	156-0989-02	75110APC/DC	156-1523-00
74LS541	156-1929-00	DM74LS670N/J	156-0989-00	DS75110N/J	156-1523-00
SN74LS541N/J	156-0438-00	DM74LS670NA + /JA +	156-0999-02	MC75110P/L	156-1523-00
SN74LS541P3/J4	156-0438-00	SN74LS670N/J	156-0989-00	SN75110AN/J	156-1523-00
74F548PCQR/DCQR	156-2488-00	SN74LS670NDS/JDS	156-0969-02	AD7511D1KN/KD	156-0723-00
74F548PCQR/DCQR	156-2488-00	SN74LS670NP3/JP4	156-0989-02	MC75140LDS	156-1304-00
SN74ALS561ND/JD	156-2326-00	74F676PCQR	156-1933-00	75150	156-0139-01
SN74ALS561N3/J4	156-2326-00	SN74ALS677NT3	156-2233-00	SN75150P	156-0139-00
SN74ALS564NP4/JP4	156-1691-00	SN74ALS678N/J	156-2547-00	SN75150NP3/JP4	156-0139-02
SN74ALS569AN3/J4	156-2495-00	SN74LS682N3	156-2168-00	75152	156-0934-01
SN74ALS569NP3/JP4	156-1757-00	SN74LS684ND/JD	156-2336-00	SN75152	156-0934-00
74F569PC	156-2802-00	SN74LS684N3/J4	156-2336-00	75154	156-0138-01
N74F569N	156-2802-00	SN74LS686N3/J4	156-2543-00	SN75154N/J	156-0138-00
74ALS573	156-1932-00	SN74LS686ND/JD	156-2543-00	SN75154NP3/JP4	156-0138-02
SN74ALS573	156-1922-00	SN74LS687N/J	156-1913-00	DS75160AN/JA +	156-1414-02
SN74ALS573NP3/JP4	156-1858-00	SN74LS687ND/JD	156-1913-00	SN75160NP3/JP4	156-1414-00
74AS573	156-3017-00	SN74ALS688N3/J4	156-2388-00	SN75160NP3/JP4	156-1414-01
74F573PC/DC	156-2926-00	SN74AS756N3/J4	156-2429-00	SN75160N/J	156-1414-00
74HC573	156-3068-00	74AS759	156-3102-00	DS75161ANA + /JA +	156-1415-01

This index is arranged in numerical order, disregarding letters which appear in some vendor numbers.

VENDOR NUMBER TO TEK PART NUMBER (cont)

Vendor Number	Part Number	Vendor Number	Part Number	Vendor Number	Part Number
SN75161AN/J	156-1415-00	SG7905.2CP	156-0655-00	D82288	156-1882-01
SN75161ANA + /JA +	156-1415-01	UA7952CKC3	156-0655-01	D82289	156-1884-00
DS75162AN	156-2013-00	ITS80006	156-0908-00	82S291FN	062-4176-00
SN75162AN/J	156-1459-00	ITS80007	156-0909-00	SL82296	156-0728-00
		8008-1	156-0643-00	8237A-5	156-2075-00
SN75LS175NDS/JDS	156-0392-03	ITS80141	156-1899-00	C/D8237A-5	156-1606-00
75176AP/JG	156-2037-00	80186	156-1841-00	82501	156-2074-00
75325	156-0206-01	A80186	156-1841-02	D8253-5	156-1036-00
75325DCQR/PC	156-0206-02	C80186	156-1841-01	UPD8253D-5	156-1036-00
MC75325N/J	156-0206-00	CA80186	156-1841-00	D8254-2	156-1887-00
MC75325N/J	156-0206-02	A80188	156-2003-02	QP/QD8254-2	156-1853-00
SG75325	156-0206-00	C80188	156-2003-01	8255A-5	156-1475-00
SG75325N/J	156-0206-02	CA80286	156-1877-01	AM8255A-5P/DCB	156-1570-01
SN75325NP/JP	156-0206-02	C80286	156-1877-00	QP/QD8255A-5	156-1570-01
SN75325N/J	156-0206-00	D80287	156-1883-00	TMP82C55AP-5	156-2905-00
SN75402NP3/JP4	156-1587-00	C80287	156-1883-01	UPD8257C-5	156-1202-00
DS75451NA + /JA +	156-0094-02	8085A-1	156-1088-02	82586	156-2043-00
75451	156-0094-00	D8085AH-1	156-1088-03	SL82589	156-1267-01
75451	156-0094-01	D8085A-2	156-1088-02	8279-5	156-1535-00
SN75451NP3/JP4	156-0094-02	D8086-2	156-1416-01	AM8279-5N/J	156-1535-00
75452	156-0302-01	D8086-2AN	156-1416-01	SL83202J	156-0738-02
75452BTC	156-0302-02	8087-2	156-1643-01	8409-2	156-2078-01
SN75452NP3/JP4	156-0302-02	C/D8087-3	156-1643-00	DP8409-2	156-2078-00
DS75452N/J	156-0302-00	D8088-2	156-1609-01	BAC84110	156-3002-00
DS75452NA + /JA +	156-0302-02	D8088-2P	156-1609-01	MIC84120	156-3003-00
SN75452BP	156-0302-00	C80909L	156-1246-00	84C30-6	156-2424-00
75453BTC	156-0341-00	SC80909LD	156-1246-01	84C40-6	156-2423-00
LM75453N/J	156-0341-00	SL81212	156-0087-00	DP8460-2	156-2030-00
LM75453NA + /JA +	156-0341-02	SL81658	156-0870-01	DP8460-4N	156-2030-01
SN75453PP3/JGP4	156-0341-02	SL81661	156-0636-02	84684	156-0197-00
SN75453BP/BJG	156-0341-00	D8203-3	156-1697-00	SN84980N	156-0324-02
75454	156-0313-01	82062	156-2374-00	85145	156-0067-02
75454	156-0341-01	N82S100I	156-1269-00	85C154VS	156-2962-00
DM75454NA + /JA +	156-0313-02	N82S105N	156-1968-00	86485	156-0067-06
LM75454N/J	156-0313-00	N82S105AN/F	156-2068-00	86500	156-1895-00
SN75454NP3/JP4	156-0313-02	N82S107I	156-1254-00	Z8681-1ZPS	156-2405-00
SN75454P/JG	156-0313-00	82S111F	156-1210-00	88792N/J	156-0118-00
SN75471	156-1925-00	82S115	156-0769-01	AD9002I	156-2069-00
SN75472P3/N4	156-1926-00	82S115	156-0769-00	90071	156-1242-00
SN75473P3/N4	156-0440-00	82S115	156-0769-04	90593	156-1551-00
SN75477P	156-2681-00	N82S115N	156-0769-00	SN91340N/J	156-0320-02
75491	156-0507-00	N82S115F	156-0358-02	SL92104	156-1593-00
75494	156-0881-01	N82S115F	156-0359-02	SN92570J	156-0765-02
DS75494N	156-0888-00	N82S116F	156-0984-01	AM9308PCB2	156-0521-02
DS75494N/A +	156-0888-02	82S129FN/IN	156-1343-00	93422	156-1223-00
CY76168	156-1694-01	N82S129AN/F	156-2734-00	AM93422PC/DC	156-1223-00
SC77113LH	156-1266-00	82S131	156-2432-00	AM93422PC/DC	156-1360-00
SC77161P	156-0048-03	N82S147A	156-2213-00	CY93422PCB	156-1360-01
SC77162GH	156-0130-02	N82S151	156-1058-00	CY93422APCB	156-1223-00
7D74S04S	156-1333-00	N82S153TS	156-1916-00	MCM93422DC/PC	156-1360-00
TL780-05CKC	156-2416-00	N82LS181	156-1526-00	93L422PC	156-1293-00
TL780-12CKC	156-2417-00	N82S181F	156-0976-00	93L422PCQR	156-1293-01
TA78L012AP	156-1160-02	N82S185F	156-1182-00	AM93L422DC	156-1293-00
78701	156-2898-00	82188	156-2433-00	AM93L422BPC/DC	156-1293-01
78702	156-2897-00	N82S191F/I	156-1354-00	93425ADC	156-1210-00
78732	156-2896-00	D82258	156-2477-00	AM93425SADC	156-1995-00
HL78937	156-1616-00	82284	156-1875-00	93427DC	156-0905-00
7905.2C	156-0655-02	D82284	156-1875-01	93442DC/PC	156-1360-00
MC7905.2CT	156-0655-00	P82284	156-1875-00	93442DCQR/PCQR	156-1360-01
MC7905.2CTD	156-0655-01	D82288	156-1882-00	AM93442PC/DC	156-1360-01

This index is arranged in numerical order, disregarding letters which appear in some vendor numbers.

VENDOR NUMBER TO TEK PART NUMBER (cont)

Vendor Number	Part Number	Vendor Number	Part Number	Vendor Number	Part Number
MCM93442DC/PC	156-1360-01	100136	156-1563-01	MC103182	156-2651-00
93Z511	156-2397-00	100136D	156-1563-00	MBM10422A-7ZC	156-1635-00
95051	156-1551-00	F100136DC	156-1517-00	M10474-1	156-1679-00
AM9516A-8	156-2080-01	F100136FC	156-1563-00	10474-8	156-2307-00
AM9517A-5DC	156-1606-00	100141	156-1030-01	104181	156-2689-00
95400DC	156-0881-00	100141	156-1030-02	SL110043	156-0576-00
SN96L02NB2 +	156-0487-02	100141	156-1030-03	HI1-1800-5	156-0414-00
96LS488DC	156-1666-00	100141F	156-1511-00	HA1-2539-5	156-2804-00
SC98000	156-2656-00	F100141DC	156-1511-00	HA1-2541-5	156-2874-00
TIM9904JL4	156-0993-01	F100141FC	156-1030-00	IMS1400-P35	156-1615-01
N99320JG	156-0158-04	100145Y	156-1513-00	MS1400-55	156-1615-00
SBP9989CJ-1	156-1636-00	100145F	156-1514-00	HD1-4013B-9	156-0366-00
100101	156-1034-02	F100145DC	156-1514-00	IMS1420-45	156-1694-01
100101	156-1034-03	F100145FC	156-1513-00	IMS1420S-55	156-1694-00
100101F	156-1520-00	HXA100145D	156-1514-00	IMS1420P-70L	156-2389-00
F100101DC	156-1520-00	100150D	156-1497-00	MC145146L	156-1742-00
F100101FC	156-1034-00	F100150DC	156-1581-00	MC145155P	156-1718-00
F100101FCQR	156-1034-01	F100150FC	156-1497-00	MA145406	156-2737-00
100102	156-1032-02	100151	156-1501-01	MC146818PD	156-2254-00
100102	156-1032-03	100151F	156-1512-00	IM1-4702-6	156-0850-00
100102F	156-1519-00	100151Y	156-1501-00	HD1-4702-9	156-0850-02
F100102DC	156-1519-00	F100151DC	156-1512-00	HD1-4702-9	156-1119-00
F100102FC	156-1032-00	F100151FC	156-1501-00	158097N	156-3006-00
F100102FCQR	156-1032-01	100155	156-1496-01	SP160695	156-3008-0
HD100102F	156-1032-04	100155F	156-1510-00	SP160729	156-3007-00
100107	156-1500-01	100155Y	156-1496-00	SL160842	156-0770-00
100107D	156-1500-00	F100155DC	156-1510-00	MM16353-1	156-1213-01
100107F	156-1518-00	F100155FC	156-1496-00	HM16514-9	156-2104-00
F100107DC	156-1518-00	100160F	156-1506-00	HD16600-5	156-1047-00
F100107FC	156-1500-00	F100160DC	156-1506-00	HD174C154	156-0650-00
100112F	156-1499-01	100163Y	156-1557-00	HD1-74C157	156-0549-00
100112F	156-1797-00	F100163FC	156-1557-00	HD1-74C164	156-0572-00
100112FC	156-1499-01	F100163DC	156-2541-00	HD1-74C165	156-0625-00
100112Y	156-1499-00	100164	156-1085-01	HD1-74C173	156-0574-00
F100112FC	156-1499-00	100164	156-1085-03	HD1-74C175	156-0931-00
100114	156-1033-01	100164F	156-1085-02	HD1-74C221	156-0750-00
100114	156-1033-03	F100164DC	156-1085-02	WD2010AL-05	156-2148-00
F100114DC	156-2006-00	F100164FC	156-1085-00	2015-10	156-3088-00
F100114FC	156-1033-00	H100164	156-1085-02	MCM2016H-70	156-1993-00
F100114FCQR	156-1033-02	HD100164F	156-0439-00	TMM2018D-45	156-2000-00
100117D	156-1498-00	HD100164F	156-1085-03	TMM2018D-55PC	156-1993-00
F100117FC	156-1498-00	F100165DC	156-1678-00	CD2046N/F-03	156-0914-03
100118D	156-1561-00	HD100165C	156-1678-00	2147-45DC	156-1690-00
F100118FC	156-1561-00	100166F	156-1505-00	AM21L47-55DC	156-1613-00
100122	156-1515-01	F100166DC	156-1505-00	AM2147-70DC	156-1228-00
100122Y	156-1515-00	100170F	156-1554-00	AMD21L48-55DC	156-1574-00
100122F	156-1516-00	100170Y	156-1504-00	CY2149-45PC/DC	156-1695-00
F100122DC	156-1516-00	F100170DC	156-1554-00	AM2149-45DC	156-1695-00
F100122FC	156-1515-00	F100170FC	156-1504-00	TMS2150-45	156-2513-00
F100124DC	156-1671-01	100171D	156-1502-00	DM2164A-15	156-1876-00
H100124	156-1671-00	100171F	156-1509-00	D2164-A20	156-1626-00
F100125DC	156-1670-00	F100171DC	156-1509-00	MCM2167H-35	156-2018-00
100131	156-1031-01	F100171FC	156-1502-00	MCM2167HP-35	156-1615-00
100131	156-1031-03	F100180DC	156-1508-00	D2186-30	156-1734-00
100131Y	156-1031-05	F100180FC	156-1507-00	X2201A-30	156-1654-00
F100131	156-1031-04	MBM100422FPT-24C-F02	156-1845-00	HA2-2525-2	156-2490-00
F100131DC	156-1031-06	TDC1016J-10	156-1441-01	HA2-2625-5	156-0317-00
F100131FC	156-1031-00	HD1-0165-5	156-0647-00	HA2-2625-7	156-0317-03
F100131FCQR	156-1031-02	LT1021-CCH-10	156-2186-00	HA2-2625-7	156-0317-01
HD100131F	156-1031-00	LT1021-CCNB-10	156-2842-00		

This index is arranged in numerical order, disregarding letters which appear in some vendor numbers.

VENDOR NUMBER TO TEK PART NUMBER (cont)

Vendor Number	Part Number	Vendor Number	Part Number	Vendor Number	Part Number
HA2-2655-5	156-0977-00	EDH4528-20	156-1813-00	CY7C168-45PC	156-1694-01
MP2321-01	156-0717-00	MK45H64-10	156-2106-00	CY7C168-25PC	156-2911-00
HA2-5162-5	156-2485-00	458KG-125	156-3010-01	CY7C168-45PC	156-2788-00
25LS2520PCB/DCB	156-1729-00	HN462732	156-1403-00	CY7C190-25PC	156-2912-00
AM25LS2517N3/J4	156-1865-00	MK48Z02-25	156-2398-00	CY7C235-40PC/DC	156-2522-00
SM25LS2519PCB/DCB	156-1868-00	HM4864AP-12	156-2064-00	7C245-35	156-3045-00
25LS2521PCB2/DCB2	156-1273-01	HM5025LP-12	156-2151-00	CY7C245-45PC/DC	156-2523-00
AM25LS2521PC	156-1273-00	HM5025LP-15	156-2139-00	CY7C281-45PC	156-2951-00
AM25LS2537NB/JB	156-1870-00	M5128-15RS	156-1594-00	CY7C291-35PC	156-2509-00
AM25LS2538PCB/DCB	156-1546-00	M5128-15RS	156-1632-00	SN74ALS1005N3/J4	156-2320-00
AM25LS2539PCB	156-2164-00	51C64-12	156-2061-00	SN74AS1008N3/J4	156-2430-00
AM25LS2569PC/DC	156-1375-00	TC5561-P55	156-2713-00	SN74AS1032N3	156-2235-00
AM25LS2569PCB/DCB	156-1375-01	TC5564PL-10	156-2025-00	74ALS1034N	156-2284-00
IMS2600P-12	156-2209-00	TC5564PL-15	156-2483-00	SN74AS1034N	156-2500-00
IMS2620P15	156-1859-00	TC5564PL-20	156-2473-00	SN74ALS1035N/J	156-2528-00
IMS2620P-15	156-2188-00	HM6116ASP-12	156-2399-00	74AS1036	156-2468-00
27128A-1	156-2632-00	MCM6116AP-12	156-2012-00	74ALS1244NP3/JP4	156-1754-00
27128-A-1DC	156-2632-00	HM6116ASP-15	156-2146-00	74AS1804	156-2967-00
AM27128A-2DC	156-2194-00	MCM61L16P20	156-1632-00	74HC4002	156-3070-00
D27128A-2	156-2194-00	HM6168HP-45	156-1694-01	MC74HC4017NDS/JDS	156-2358-00
AM27128-3DC	156-2195-00	MCM6168P-45PC	156-1694-01	MM74HC4017NA + /JA +	156-2358-00
D27128-3	156-1696-00	HM6168HP-55	156-1694-00	74HC4020	156-3106-00
D27128A-3	156-2195-00	MCM6168P-55	156-1694-00	CD74HCT4020EX	156-2355-00
P27128A-3	156-2575-00	HM6168HP-70	156-2378-00	74HC4040	156-2601-00
AM27256-3DC	156-1960-00	HM6168HP-70	156-2451-00	74HC4051	156-2605-00
D27253-3	156-1960-00	MCM6168P-70	156-2378-00	CD74HC4052E	156-2476-00
AM27S49A-45PC/DC	156-2904-00	MCM6168P-10	156-2451-00	74HC4052	156-2476-00
MBM2764-25	156-1652-00	HM6264P-12	156-2066-00	MC74HC4052	156-2476-00
2864B-25	156-3093-00	HM6264LP-12	156-2247-00	MM74HC4052N/J	156-2476-00
HI3-0303-5	156-2910-00	HM6264LP-12	156-2282-00	MC74HC4053N/J	156-2605-00
PM308-026P	156-0854-00	HM6264P-15	156-1842-00	74HC4075	156-2582-00
HA3-23080-5	156-1551-00	HM6267P-35	156-1615-01	74HC4316	156-2604-00
32625-5	156-2899-00	63RS1681	156-2635-00	74ALS640-1	156-2211-01
DAC331C-10-1	156-1321-00	63RS1681A	156-2878-00	HA7-5002-5	156-2848-00
HA3-4741-5	156-2780-00	638441	156-1392-01	HA7-5135-5	156-2619-00
HI3-5811J-5	156-2621-00	638441	156-1213-01	HA75180-5	156-2862-00
TMS37C3003LA	156-0051-01	MCM6604L02	156-0862-02	81C78A-45	156-3049-00
MSM3764RS-20	156-1626-00	MCM6605-01	156-0635-01	A8207-16	156-1881-02
MK3880P-4/J-4	156-0983-00	MCM6665BL-20	156-1626-00	N82S2708F	156-0973-00
MK3880P-4/J-4	156-0983-01	MC68000L6	156-1445-01	D82C288-6	156-2709-00
MK3881N-4/P-4MKX	156-1612-00	MC68000G8	156-1445-04	MB8264A-10	156-2106-00
MK3885P-4/N-4	156-1424-01	MC68008L8	156-1915-00	N8T32-001P	156-1230-00
MK4096K-11	156-0862-00	MC68010L8	156-1951-00	N8T32-002P	156-1231-00
MCM4116BD-20	156-0968-03	MC68010R8	156-2593-00	N8T32-003P	156-1232-00
TMS4161-15NL	156-2165-00	MC6803-G1/L1	156-1683-00	N8T32-004P	156-1233-00
4164ANP-20	156-1626-00	68B3641	062-5879-00	N8T32-005P	156-1234-00
TMS4161-20NL	156-2330-00	MC68440-8	156-2108-00	84000-4	156-2279-00
TMS4256-12NL	156-2151-00	HD68450U-8	156-2108-00	CLX840333	156-1854-00
TM4256-15NL	156-2139-00	HD68450Y8	156-2108-01	MB8416A-15P-SK	156-2004-00
4264C-15	156-1876-00	MC68450RC-8	156-2108-01	DP843112	156-2089-00
4311C45	156-1615-00	MC68701L-1	156-1579-02	C8751H-12	156-2700-00
UPC4362C-45	156-2665-00	68705P3S	156-3031-00	AM9150-45	156-2162-00
TMS4416-15	156-1859-00	CY7C122-25PC	156-2507-00	F9450-12DC	156-2189-02
UPD4464C-15	156-2483-00	CY7C128-45	156-2508-00	F9450-15DC	156-2189-00
UPD4464C-20	156-2473-00	CY7C128-25PC	156-3048-00	9450-20	156-2189-01
UPD4464C/G-20	156-2446-00	CY7C128-35PC	156-2992-00	F9452-15DMQB	156-2191-00
VL4500A-20PC	156-2573-00	CY7C128-45PC	156-2000-00	TMS9900-40J	156-0935-03
MK4501-15	156-2371-00	CY7C148-45PC	156-2510-00	TIM9904-40J	156-0993-02
MCM4517P-12	156-1552-00	CY7C149-35PC	156-1695-01	1016J-5C10	156-1441-00
MCM4517P15	156-1798-00	CY7167-55PC	156-1615-00	MBM10470-20	156-1227-00

This index is arranged in numerical order, disregarding letters which appear in some vendor numbers.

VENDOR NUMBER TO TEK PART NUMBER (cont)

Vendor Number	Part Number	Vendor Number	Part Number	Vendor Number	Part Number
MBM10470-20	156-1227-01	M5M4C264L-15	156-2955-00	SC22695P048	156-0266-01
UPD10474D-10	156-1679-01	M5M4416P-15	156-1859-00	AM27S181D-24-1	156-1608-00
MBM10474-15Z	156-1679-00	M5M4416P-12	156-2145-00	27256-250	156-2407-00
MBM10480-25	156-1975-00	M5M4416P-15	156-1859-01	321-0056-6	156-0168-00
10484-15	156-2705-00	TC55257-10	156-2640-00	HN462532-DC24C	156-1596-00
SSS1408A-021	156-0509-00	TC55257-10	156-2641-00	TC511000P-12	156-2971-00
NS16032-10A+	156-2033-00	HM6116P-3/DP-24	156-1594-00	MP-5510-CY-5004	156-1532-00
NS16081-10	156-2036-00	HM62256P-10	156-2640-00	SC62528L658	156-0224-01
NS16082-10	156-2035-00	HM62256P-12	156-2641-00	MC68000L8CC1/GN7	156-1445-00
NS16201-10	156-2032-00	6309-1/J20	156-1560-00	QD/P8085-4447	156-1088-01
NS16202-10	156-2034-00	R6531P-098	156-1530-00	D/P8243-S5037	156-1356-00
1909058	156-1050-00	MC68000L10	156-1445-02	QD8288-S4244	156-1427-01
1909713	156-1053-00	MC68000R10	156-2360-00	DC01019.14038	156-1605-00
2112323	156-1052-00	EF68000-12C	156-1445-03	HD1-4702-B2118	156-0850-02
IMS26005-12	156-0432-00	HD68000-12	156-1445-03	HA2-2625-B0796	156-0317-02
SCC2691AC1N24	156-3018-00	MC68000L12	156-1445-03	SCN2681AC1N40140	156-1737-00
27128-25	156-2102-00	MC68000L12	156-1950-00		
AM27128-25	156-2014-00	MC68008L10	156-1915-01		
MBM27128-25	156-2014-00	MC68010L10	156-2174-01		
MBM27128-30	156-1696-00	MC68010R10	156-2610-00		
27256-25	156-2447-00	MC68010L12	156-1951-01		
AM27256-25DC	156-2447-00	MC68010R12D	156-2174-00		
AM27512-25	156-2526-00	MC68020R16	156-2515-00		
D27512-25DC	156-2526-00	MCM68364-25	062-5879-01		
MBM2764-252-G	156-1777-00	MCM68364-30	062-7071-00		
2816A-250	156-2881-00	MCM68364-30	062-7071-01		
NS32016-8NA+	156-2033-01	MC68705U35	156-2697-00		
NS32016-10A+	156-2033-00	MCM68764-C35	156-1686-00		
NS32032-10	156-2435-00	MCM68766C35	156-1610-00		
NS32081-10A+	156-2036-00	MCM68766-C35	156-1686-00		
NS32082-8NA+	156-2035-00	U6A902259X	156-0290-00		
NS32082-8NA+	156-2035-01	U6M930059X	156-0083-00		
NS32201-10A+	156-2032-00	U6B930459X	156-0148-00		
NS32C201-15	156-3009-00	7114S127	156-1127-00		
NS32202-10A+	156-2034-00	IDT7202S120D	156-3022-00		
NS32202D-10F	156-2034-01	HA7-23080-5	156-1551-00		
HA3-23080-5	156-1551-00	SN74AS1000N3	156-2215-00		
32332-15	156-3089-00	SN74AS1004N3	156-2167-00		
32382-15	156-3090-00	PM7545-004P	156-2870-00		
TBP38S030-15N	156-2913-00	U7B930059X	156-0083-00		
MK3882N-41P-4MKX	156-1620-00	U7B931059X	156-0084-00		
UPD41256C-12	156-2151-00	U7B932251X	156-0247-00		
UPD41256C-15	156-2139-00	U7B932859X	156-0085-00		
TMM41256P-15	156-2139-00	U7/B93L2859X	156-0310-01		
UPD41264-12	156-2978-00	R80286-8/C2H	156-1877-00		
41C264-12	156-2995-00	MB81464-10PZ	156-2997-00		
PD41264-15	156-2602-00	8308A-730	156-0779-00		
UPD41416C-15	156-1859-00	P8308A-730	156-0779-00		
UPD41464C-15	156-2882-00	MB85101A-12	156-2376-00		
TM4256FL8-12L	156-2973-00	MB85101-15	156-1953-00		
TM4256FL8-15	156-2666-00	M5K4164ANP-15	156-1876-00		
UPD43256C-10	156-2640-00	DAC9331-16-6	156-1864-00		
UPD43256C-15	156-2641-00	SG9637-723	156-0053-00		
HM4816A-4/DG16B	156-1552-00	01005-000	156-0962-00		
HM50256P-15	156-2139-01	MBM10474-152	156-1679-00		
TC51256F-12	156-3011-00	DC00519-13040	156-1731-00		
DQ5143-250	156-2014-00	1301-0044	156-0244-00		
53/6353-1J	156-1213-00	SC22689P125	156-0316-03		
M5K4164ANP-12	156-2064-00	SC22689P216	156-0369-02		
M5M4C264L-12	156-2955-01	SCM22690L147	156-1035-01		

This index is arranged in numerical order, disregarding letters which appear in some vendor numbers.

SECTION 11

TABLE OF CONTENTS

	Page
MULTIFUNCTION	
INTERRUPT CONTROLLER UNITS	11-2
MICROPROCESSORS	11-2
MISCELLANEOUS	11-2
MEMORY SELECTION GUIDE	
STATIC RAM (SRAM)	11-3
DYNAMIC RAM (DRAM)	11-3
CMOS	
BUFFERS/INVERTERS	11-4
COUNTERS	11-4
DECODERS/MULTIPLEXERS	11-4
DRIVERS	11-4
FLIP-FLOPS	11-5
GATES	11-5
GENERATORS	11-5
LATCHES	11-5
MULTIVIBRATORS	11-6
REGISTERS	11-6
TRANSCEIVERS	11-6
ECL	
FLIP FLOPS	11-7
GATES	11-7
MISCELLANEOUS	11-7
TTL	
ADDERS/COMPARATORS	11-8
BUFFERS/INVERTERS	11-8
COUNTERS	11-8
DATA SELECTORS	11-9
DECODERS/MULTIPLEXERS	11-9
DRIVERS	11-9
ENCODERS	11-10
FLIP-FLOPS	11-10
GATES	11-11
LATCHES	11-11
LOGIC ARRAYS	11-11
MULTIVIBRATORS	11-12
RECEIVERS	11-12
REGISTERS	11-12
TRANSCEIVERS	11-12
MISCELLANEOUS	11-12
TTL FAMILY NUMBER LISTING	11-13
SPECIAL FUNCTION, MISCELLANEOUS	11-17
LINEAR	
OP AMP	11-19
TEK PART NUMBER TO VENDOR NUMBER (INDEX)	11-20
VENDOR NUMBER TO TEK PART NUMBER (INDEX)	11-26

CATALOG WRITER: SANDRA PHILLIPS, 629-3030

MULTIFUNCTION INTERRUPT CONTROLLER UNITS

Vendor Number	Part Number	Codes ^a			Case Description	Style
		ND	Cost	ST		
82C59A-5	156-5093-00		4.850	EN	Interrupt Control Unit, Programmable, CMOS	PLCC-32

MICROPROCESSORS - 8-BIT

Vendor Number	Part Number	Codes ^a			Case Description	Style
		ND	Cost	ST		
80C88	156-5091-00		18.840	EN	8-bit, CMOS	PLCC-44

MISCELLANEOUS

Vendor Number	Part Number	Codes ^a			Case Description	Style
		ND	Cost	ST		
	156-5137-00		11.800	PP	Serial Bus Slave Interface	PLCC-28

^a The nominal price (at time of printing) is listed in the cost column. For ND Codes (New Design Recommendations) and Status Codes, see tab marked CODES in the back of this catalog.

MEMORY SELECTION GUIDE

STATIC RAM (SRAM)

Function	Process	Bit Geometry	Part Number	Codes ^a			JEDEC/ Vendor Number	Case Style	Pkg	Supply Voltage (V)	Power Supply (mA) Max		Read Address Access Time (nS) Max	Write Pulse Width (nS) Min
				ND	Cost	ST					Active	Standby		
<div style="display: flex; flex-direction: column; align-items: center;"> <div style="border: 1px solid black; padding: 2px; margin-bottom: 5px;">MOS</div> <div style="border: 1px solid black; padding: 2px;">CMOS</div> </div>		16000 — 2000 x 8	156-5158-00	1.800	EN	6116	SO-24							
		16384 — 4096 x 4	156-5252-00	16.550	CR	7C168-25	SO-20	+5.	90.		.25	20.		
		64000 — 8000 x 8	156-5177-00 156-5256-00	2.500	PP EN	8464FL-12 4364	SO-28 SO-28	+5.5	60.	3.	120.	80.		
		65536 — 8192 x 8	156-5011-00	3.500	CR	6264LPF-15	SO-28	+5	110.	3.	10μA	150.	90.	
			156-5153-00	3.450	PP	4464-15	SO-28							

DYNAMIC RAM (DRAM)

Size	Part Number	Codes ^a			JEDEC/Vendor Number	Case Style	Package	Read Access Time (ns) Max	Power Supply (mA) Max
		ND	Cost	ST					
524K x 4 65K x 4	156-3014-00 156-3020-00			EN EN	TM4256HE4	24 SIP 24 SIP	10,000	190.	

^a The nominal price (at time of printing) is listed in the cost column. For ND Codes (New Design Recommendations) and Status Codes, see tab marked CODES in the back of this catalog.

DIGITAL, CMOS BUFFERS/INVERTERS

Vendor Number	Part Number	Codes ^a			Case Description	Style
		ND	Cost	ST		
HEF4069UBT/UBTD	156-5020-00		.320	CR	Hex, Inverter	SO-14
74HC04	156-5155-00		.120	EN	Hex, Inverter	
74HCT04	156-5081-00		.120	PP	Hex, Inverter w/LSTTL	
74HCU04	156-5066-00			EN	Hex, Unbuffered Inverter	SO-14
74HCT04	156-5099-00			EN	Hex, Inverter	
74HCT14	156-5131-00		.260	PP	Hex, Inverter, Schmitt Trigger	SO-14
40097BD	156-5139-00		.380	PP	3-state Non-inverting Buffer	SO-16
40097BTD	156-2132-00		.550	CR	Hex, Non-inverting Buffer	SO-16
74HC125	156-5278-00		.210	EN	Quad, 3-state Buffer	SO-14
74HC240	156-5069-00		.420	EN	Octal, Buffer/Line Driver w/3-state Inverting Output	SO-20
74HCT244	156-5070-00		.420	PP	Octal, Buffer/Line Driver w/3-state Output	SO-20
74HCT541	156-5220-00		.600	EN	Octal, Tri-state Buffer	SO-20

COUNTERS

Vendor Number	Part Number	Codes ^a			Case Description	Style
		ND	Cost	ST		
4040BD	156-5141-00		.380	PP	12-stage Binary Counter	SO-16
40193BTD	156-2133-00		1.120	CR	4-bit Up/Down Counter	SO-16
74HCT161	156-5134-00		.400	PP	8-bit Binary Counter	SO-16
74HC193	156-3025-00			EN	Sync, 4-bit Up/Down Counter	SO-16
74HC193	156-5288-00			EN	Sync, 4-bit Binary Up/Down Counter	SO-16
74HC393	156-5103-00		.430	EN	Dual, 4-bit Binary Ripple Counter	SO-20

DECODERS/MULTIPLEXERS

Vendor Number	Part Number	Codes ^a			Case Description	Style
		ND	Cost	ST		
4028B	156-5243-00			EN	4-bit BCD to 1 of 10 Decoder	SO-16
4053	156-5073-00		.320	EN	Triple, 2-channel Multiplexer	SO-16
4556B	156-5111-00		.360	PP	Dual, Binary to 1 of 4 Decoder/Demultiplexer	SO-16
74HCT138	156-5088-00		.230	PP	3-to-8 Line Decoder/Demultiplexer, Inverting	SO-16
74HCT139	156-5142-00		.250	PP	Dual, Binary to 1 of 4 Decoder/Demultiplexer	SO-16
74HC151	156-5287-00			EN	8-channel Digital Multiplexer	SO-16
74HCT151	156-5133-00		.300	PP	8-to-1 Line Multiplexer	SO-16
74HCT154	156-5123-00		.640	EN	4-to-16 Line Decoder/Demultiplexer	
74HC251	156-5072-00			EN	8-input Multiplexer w/3-state Output	SO-16
74HCT257	156-5148-00		.300	PP	Quad, 2-to-1 Line Multiplexer w/3-state Output	SO-16

DRIVERS

Vendor Number	Part Number	Codes ^a			Case Description	Style
		ND	Cost	ST		
82C84A	156-5094-00		3.720	EN	Clock Generator/Driver	PLCC-20
74HC240	156-5069-00		.420	EN	Octal, Buffer/Line Driver w/3-state Inverting Output	SO-20
74HCT244	156-5070-00		.420	EN	Octal, Buffer/Line Driver w/3-state Output	SO-20

^a The nominal price (at time of printing) is listed in the cost column. For ND Codes (New Design Recommendations) and Status Codes, see tab marked CODES in the back of this catalog.

DIGITAL, CMOS (cont)

FLIP-FLOPS

Vendor Number	Part Number	Codes ^a			Case Description	Style
		ND	Cost	ST		
4013	156-5076-00		.130	EN	Dual, D-type	SO-14
4013BTD	156-2126-00		.550	CR	Dual, D-type, Edge Triggered	
74HC74	156-5074-00		.230	PP	Dual, D-type	
74HC74	156-5156-00			EN	Dual, D-type w/Preset and Clear	SO-14
74HCT74	156-5145-00		.250	PP	Dual, D-type	
74HCT174	156-5068-00		.280	EN	Hex, D-type, w/ Resettable, Positive, Edge Triggered	SO-16
74HCT175	156-5144-00		.320	PP	Quad, D-type	
74HCT175	156-5122-00		.280	EN	Quad, D-type, w/Clear	
74HCT273	156-5147-00		.480	PP	Octal, D-type	SO-20
74HCT374	156-5143-00		.480	PP	Octal, D-type, w/3-state Output	SO-20
74HC574	156-3026-00			EN	Octal, D-type, w/3-state Output	SO-20
74HC574	156-5289-00		.650	EN	Octal, D-type w/3-state Output	SO-20

GATES

Vendor Number	Part Number	Codes ^a			Case Description	Style
		ND	Cost	ST		
HEF4073BT/BTD	156-5022-00		.350	CR	Triple, 3-input NAND	SO-14
4081	156-2129-00	N	.320	CR	Quad, 2-input AND	SO-14
4082	156-2130-00	N	.530	CR	Dual, 4-input AND	SO-14
4093	156-2131-00	N	.420	CR	Quad, 2-input NAND w/Schmitt Trigger	SO-14
74HCT00	156-5098-00		.140	PP	Quad, 2-input NAND	SO-14
74HC00	156-5075-00		.140	EN	Quad, NAND	
74HCT02D	156-5106-00		.150	PP	Quad, 2-input NOR	
74HC03	156-5154-00		.120	EN	Quad, 2-input NAND w/OC Output	
74HC08	156-5083-00			EN	Quad, 2-input AND	
74HCT08	156-5146-00		.150	PP	Quad, 2-input AND	
74HCT10	156-5130-00		.150	PP	Triple, 3-input NAND	
74HCT20	156-5084-00		.150	EN	Dual, 4-input NAND	
74HCT27	156-3027-00			EN	Triple, 3-input NOR	SO-14
74HC27	156-5290-00		.180	EN	Triple, 3-input NOR	SO-14
74HCT30	156-5132-00		.150	PP	8-input NAND	SO-14
74HCT32	156-5129-00			DL	Quad, 2-input OR	SO-14
74HCT32	156-5085-00			EN	Quad, 2-input NAND	
74HCT86	156-5078-00		.210	EN	Quad, 2-input EX OR	
74HCT86	156-5198-00		.320	CR	Quad, 2-input EX OR	

GENERATORS

Vendor Number	Part Number	Codes ^a			Case Description	Style
		ND	Cost	ST		
82C84A	156-5094-00		3.720	EN	Clock Generator/Driver	PLCC-20

LATCHES

Vendor Number	Part Number	Codes ^a			Case Description	Style
		ND	Cost	ST		
74HCT373	156-5101-00		.440	EN	Octal, D-type Transparent w/3-state Output	SO-20

^a The nominal price (at time of printing) is listed in the cost column. For ND Codes (New Design Recommendations) and Status Codes, see tab marked CODES in the back of this catalog.

DIGITAL, CMOS (cont)

MULTIVIBRATORS

Vendor Number	Part Number	Codes ^a			Case Description	Style
		ND	Cost	ST		
4538B 74HC123	156-5265-00 156-5227-00		.450 .480	EN EN	Dual, Precision Monostable Multivibrator Dual, Retriggerable Monostable Multivibrato	SO-16 SO-16

REGISTERS

Vendor Number	Part Number	Codes ^a			Case Description	Style
		ND	Cost	ST		
4015	156-2127-00	N	.530	CR	Dual, 4-bit Static Shift Register	SO-16
4021	156-2128-00	N	.520	CR	8-bit Static Shift Register	SO-16
4021	156-5080-00		.240	EN	8-bit Static Shift Register	
74HCT4094	156-5254-00		.540	PP	8-state Shift Store Bus	SO-16
HEF4094BT/BTD	156-5021-00		.960	CR	8-state Shift and Store Bus	SO-16
74HCT164	156-5135-00		.400	PP	8-bit Serial/Parallel Shift Register	SO-14
74HCT670	156-5149-00		.850	PP	4 x 4 Register File	SO-16

TRANSCEIVERS

Vendor Number	Part Number	Codes ^a			Case Description	Style
		ND	Cost	ST		
74HCT245	156-5071-00		.460	PP	Octal, Bus, w/3-state Output	SO-20

^a The nominal price (at time of printing) is listed in the cost column. For ND Codes (New Design Recommendations) and Status Codes, see tab marked CODES in the back of this catalog.

DIGITAL, ECL

FLIP/FLOPS

Vendor Number	Part Number	Codes ^a			Case Description	Style
		ND	Cost	ST		
10H131	156-5221-00		1.520	EN	Dual, D-type Master/Slave	PLCC-20

GATES

Vendor Number	Part Number	Codes ^a			Case Description	Style
		ND	Cost	ST		
4001	156-2125-00		.350	CR	Quad, 2-input NOR	SO-14
10104	156-5279-00		.400	EN	Quad, 2-input AND	SO-16

MISCELLANEOUS

Vendor Number	Part Number	Codes ^a			Case Description	Style
		ND	Cost	ST		
MC10H116	156-5269-00		1.000	EN	Triple, Line Receiver, Quad Package	PLCC-20
MC10H350	156-5264-00		5.950	PP	Quad, ECL to TTL Translator	PLCC

^a The nominal price (at time of printing) is listed in the cost column. For ND Codes (New Design Recommendations) and Status Codes, see tab marked CODES in the back of this catalog.

DIGITAL, TTL

ADDERS/COMPARATORS

Vendor Number	Part Number	Codes ^a			Case Description	Style
		ND	Cost	ST		
74LS283	156-5203-00		.380	EN	4-bit, Full Adder	
74F521	156-5197-00		.900	CR	8-bit Identity Comparator	SO-20
74ALS677	156-5060-00		2.830	EN	16-bit to 4-bit Address Comparator w/Enable	SO-28
74ALS688	156-5161-00			EN	8-bit Identity Comparator	SO-20

BUFFERS/INVERTERS

Vendor Number	Part Number	Codes ^a			Case Description	Style
		ND	Cost	ST		
74F04	156-5052-00		.470	CR	Hex, Inverter	SO-14
74LS04	156-5010-00		.290	CR	Hex, Inverter	SO-14
74LS04D	156-5015-00		.470	CR	Hex, Inverter	SO-14
74LS05D	156-5024-00		.130	CR	Hex, Inverter w/OC Outputs	SO-14
7406	156-5042-00		.300	CR	Hex, Inverter/Buffer/Driver w/OC Output	SO-14
74F14	156-5268-00		.470	EN	Hex, Inverter w/Schmitt Trigger	SO-14
74LS14D	156-5037-00		.280	CR	Hex, Inverter w/Schmitt Trigger	SO-14
74F38	156-5164-00			EN	Quad, 2-input NAND Buffer w/OC Output	SO-14
74LS125	156-5079-00		.220	PP	Quad, Buffer w/3-state Output	
74F240D	156-5056-00		1.500	CR	Octal, Inverter/Buffer w/3-state Output	SO-20
74LS240	156-5006-00		.460	CR	Octal Inverter/Buffer w/3-state Output	SO-20
74F244	156-5057-00		1.450	CR	Octal, Buffer	SO-20
74LS244	156-5007-00			DL	Octal, Buffer w/3-state Output	Quad Pak
74LS244	156-5034-00	U	.600	CR	Octal, Buffer w/3-state Output	SO-20
74LS245D	156-5016-00		.940	CR	Octal, Buffer/Driver/Receiver	SO-20
74ALS540	156-5180-00			DL	Octal Buffer/Line Driver w/3-state Output	PCC20
74ALS541	156-5182-00		.960	PP	Octal Buffer/Line Driver w/3-state Output	PCC20
74LS541	156-5244-00		.450	CR	Octal, Buffer/Line Driver w/3-state Output	SO-20
74AS756	156-5187-00			EN	Octal Buffer/Line Driver w/OC Output	SO-20L

COUNTERS

Vendor Number	Part Number	Codes ^a			Case Description	Style
		ND	Cost	ST		
74FS79	156-5170-00			EN	8-bit, Bi-directional Binary w/3-state Output	SO-20
74F161	156-5285-00		.700	EN	4-bit Binary	SO-16
74LS161D	156-5115-00		.390	EN	4-bit Binary	SO-16
74LS169D	156-5110-00		.640	EN	4-bit Bi-directional	SO-16
74S169	156-5031-00		1.850	CR	Sync, 4-bit Up/Down	SO-16
74LS197	156-5126-00		.430	EN	Presetable Binary	SO-14
74F269	156-5167-00			DL	8-bit Bi-directional Binary	SO-24
74LS393D	156-5108-00		.400	EN	Dual, 4-bit, Binary	SO-14
74F569	156-5169-00			DL	8-bit Bi-directional w/3-state Output	SO-20L
74LS593	156-5284-00		4.200	EN	8-bit Binary w/Input Registers	SO-20

^a The nominal price (at time of printing) is listed in the cost column. For ND Codes (New Design Recommendations) and Status Codes, see tab marked CODES in the back of this catalog.

DIGITAL, TTL (cont)

DATA SELECTORS

Vendor Number	Part Number	Codes ^a			Case Description	Style
		ND	Cost	ST		
74F157	156-5192-00		.420	EN	Quad, 2-input Data Selector Data Selector/Multiplexer w/3-state Output 1 of 16 Data Selector/Multiplexer w/3-state Output 1 of 16 Data Selector/Multiplexer w/3-state Output 1 of 16 Data Selector/Multiplexer	SO-16
74AS850	156-5045-00			DL		SO-28
74AS850	156-5251-00			EN		PCC28
SN74AS850	156-5046-00			DL		
74AS851	156-5185-00			DL		SO-8

DECODERS/MULTIPLEXERS

Vendor Number	Part Number	Codes ^a			Case Description	Style
		ND	Cost	ST		
74ALS131	156-5294-00			EN	3 to 8 Line Decoder/Demultiplexer 1 of 8 Decoder/Demultiplexer 3-to-8 Line Decoder 3-line Decoder Dual, 2-to-10 Line Decoder/Demultiplexer	
74F138	156-5190-00		.420	CR		SO-16
74LS138	156-5004-00			DL		Quad Pak
74LS138	156-5033-00	U	.440	PP		SO-16
74F139	156-5191-00		.670	CR		SO-16
74LS139	156-5005-00		.240	CR	Dual, 2 to 4 Line Decoder/Demultiplexer	SO-16
74145	156-5271-00		.640	PP	1 of 10 Decoder/Driver w/OC Output	SO-16
74LS145	156-5049-00		.560	PP	BCD to Decimal Decoder/Driver	SO-16
74LS145	156-5128-00			DL	Decoder/Driver	SO-16
74F151	156-5166-00			EN	8-input Multiplexer	SO-16
74LS151	156-5199-00			PP	8-input Multiplexer	SO-16
74LS151D	156-5151-00			DL	8-to-1 Line Multiplexer	SO-16
74F153	156-5293-00			EN	Dual, 4-input Multiplexer w/Enable	SO-16
74LS153	156-5038-00		.230	CR	Dual, 4-Input Multiplexer w/Enable	SO-16
74LS155	156-5067-00			EN	Dual, 2-to-4 Line Decoder/Demultiplexer	SO-16
74LS157D	156-5047-00		.240	CR	Quad, 2-to-1 Line Multiplexer	
74LS257	156-5258-00			EN	Quad, 2-input Multiplexer	
74F352	156-5201-00		.420	PP	Dual, Line Multiplexer	
74AS850	156-5045-00			DL	Data Selector/Multiplexer w/3-state Output	SO-16
74AS850	156-5251-00			EN	1 of 16 Data Selector/Multiplexer w/3-state Output	28 SIP PCC28
74AS850	156-5046-00			DL	1 of 16 Data Selector/Multiplexer w/3-state Output	
74AS851	156-5185-00			DL	1 of 16 Data Selector/Multiplexer	SO-8

DRIVERS

Vendor Number	Part Number	Codes ^a			Case Description	Style
		ND	Cost	ST		
7406	156-5042-00		.300	CR	Hex, Inverting Buffer/Driver w/OC Output	SO-14
74145	156-5271-00		.640	PP	1 of 10 Decoder/Driver w/OC Output	SO-16
74LS145	156-5049-00		.560	PP	BDC to Decimal Decoder/Driver	SO-16
74LS145	156-5128-00			DL	Decoder/Driver	SO-16
74LS245D	156-5016-00		.940	CR	Octal, Buffer/Driver/Receiver	
74LS368	156-5041-00		.250	CR	Hex, Bus Driver, 4-to-2 Line Enable w/3-state Input	
74ALS540	156-5180-00			DL	Octal, Buffer/Line Driver w/3-state Output	PCC20
74ALS541	156-5182-00		.960	PP	Octal, Buffer/Line Driver w/3-state Output	PCC20
74LS541	156-5244-00		.450	CR	Octal, Buffer/Line Driver w/3-state Output	SO-20
74AS756	156-5187-00			EN	Octal, Buffer/Line Driver w/OC Output	SO-20L
74AS804A	156-5061-00			DL	Hex, 2-input NAND, Chip Carrier	SO-20
74ALS832	156-5117-00		1.920	EN	Hex, 2-input OR	PLCC-20
74AS1004	156-5178-00			EN	Hex, Inverting Driver	SO-14
74AS1008	156-5179-00			EN	Quad, 2-input Positive Driver	SO-14

^a The nominal price (at time of printing) is listed in the cost column. For ND Codes (New Design Recommendations) and Status Codes, see tab marked CODES in the back of this catalog.

DIGITAL, TTL (cont)

ENCODERS

Vendor Number	Part Number	Codes ^a			Case Description	Style
		ND	Cost	ST		
74F148	156-5253-00		.600	PP	Encoder 8-input Priority Encoder	SO-16
74LS148	156-5121-00		.620	EN		

FLIP-FLOPS

Vendor Number	Part Number	Codes ^a			Case Description	Style
		ND	Cost	ST		
74LS73	156-5204-00			EN	Dual, J-K	
74F74	156-5055-00		.460	CR	Dual, D-type	SO-14
74F74D	156-5150-00			DL	Quad, D-type, Fast	SO-14
74LS74	156-5003-00		.200	CR	Dual, D-type	SO-14
74S74	156-5107-00		.200	EN	Dual, D-type	SO-14
74F109	156-5086-00			EN	Dual, J-K	SO-16
74LS109	156-5112-00		.150	EN	Dual, J-K Positive Edge Triggered w/Preset & Clear	SO-16
74F109	156-5189-00		.270	PP	Dual, J-K Positive Edge Triggered	SO-16
74F112	156-5200-00			DL	Dual, J-K Negative Edge Triggered	SO-16N
74F112	156-5246-00			EN	Dual, J-K Negative Edge Triggered	SO-16
74F174	156-5193-00		.600	CR	Hex/Quad, D-type	SO-16
74LS174	156-5039-00		.230	CR	Hex, D-type w/Common Clear & Common Clock	SO-16
74F175	156-5194-00		.600	CR	Quad, D-type	SO-16
74LS175	156-5077-00		.270	PP	Quad	
74F273	156-5195-00			EN	Octal, D-type	SO-20
74LS273	156-5009-00		.460	CR	Octal, D-type, w/Clear	SO-20
74F373	156-5059-00		1.350	CR	8-bit, Transparent Latched, w/3-state Output	SO-20
74ALS374	156-5296-00			EN	8, D-type	SO-20
74F374	156-5168-00		.960	CR	Octal, D-type w/3-state Output	SO-20
74F374	156-5196-00			DL	Octal, D-type w/3-state Output	SO-20
74LS374	156-5008-00			DL	Octal, D-type, Edge Triggered	Quad Pak
74LS374	156-5035-00	U	.460	CR	Octal, D-type, Edge Triggered	SO-20
74LS377	156-5044-00		.460	EN	Octal, D-type w/Clock Enable	SO-20
74ALS576	156-5183-00			EN	Octal, D-type	SO-20
74AS821	156-5184-00			EN	10-bit Bus Interface w/3-state Output	SO-24
74AS874	156-5163-00			DL	Dual, 4-bit	SO-24

^a The nominal price (at time of printing) is listed in the cost column. For ND Codes (New Design Recommendations) and Status Codes, see tab marked CODES in the back of this catalog.

DIGITAL, TTL (cont)

GATES

Vendor Number	Part Number	Codes ^a			Case Description	Style	
		ND	Cost	ST			
74F00	156-5118-00	U	.410	CR	Quad, 2-input NAND	SO-14	
74F00D	156-5127-00		DL	Quad, 2-input NAND	SO-14		
74LS00	156-5001-00		.280	CR	Quad, 2-input NAND	SO-14	
74LS00	156-5027-00		PP	Quad, 2-input NAND	SO-14		
74F02	156-5051-00		.410	CR	Quad, 2-input NOR	SO-14	
74LS02	156-5002-00	U	.150	DL	Quad, 2-input NOR	Quad Pak	
74LS02	156-5032-00			CR	Quad, 2-input NOR	SO-14	
74LS03	156-5270-00			EN	Quad, 2-input Positive NAND w/OC Output	SO-14	
74S03	156-5065-00			.310	EN	Quad, 2-input Positive NAND w/OC Output	
74F08	156-5053-00			.410	CR	Quad, 2-input AND	SO-14
74LS08	156-5013-00			.360	CR	Quad, 2-input AND	SO-14
74S08	156-5030-00			.180	CR	Quad, 2-input AND	SO-14
74LS09	156-5048-00			.130	CR	Quad, 2-input AND w/OC Output	SO-14
74F10	156-5186-00	.190	CR	Triple, 3-input HAND	SO-14		
74LS10	156-5206-00			EN	Triple, 3-input NAND		
74F11	156-5247-00		.210	PP	Triple, 3-input AND	SO-14	
74LS11	156-5171-00		.200	CR	Triple, 3-input AND	SO-14	
74LS12	156-5261-00			EN	Triple, 3-input NAND w/OC Output	SO-14	
74LS20	156-5012-00		.490	CR	Dual 4-input NAND	SO-14	
74LS21D	156-5025-00			DL	Dual, 4-input Positive AND	SO-14	
74LS26	156-5152-00		.150	PP	Dual, 2-input NAND w/OC Output	SO-14	
74LS27	156-5172-00		.150	CR	Triple, 3-input NOR	SO-14	
74LS30	156-5173-00			DL	8-input NAND	SO-14	
74LS30	156-5109-00		.150	EN	8-input NAND	SO-14	
74F32D	156-5054-00		.410	CR	Quad, 2-input OR	SO-14	
74LS32D	156-5014-00		.130	CR	Quad, 2-input OR	SO-14	
74F64	156-5165-00		.180	CR	Input AND/OR	SO-14	
74F86	156-5188-00		.390	CR	Quad, 2-input EX OR	SO-14	
74LS86D	156-5036-00		.180	CR	Quad, 2-input EX OR	SO-14	
74LS132	156-5114-00		.350	EN	Quad, 2-input NAND, Schmitt Trigger	SO-14	
74LS260	156-5100-00		.170	PP	Dual, 5-input NOR	SO-14	
74LS266	156-5040-00		.190	CR	Quad, 2-input EX OR w/OC Output		

LATCHES

Vendor Number	Part Number	Codes ^a			Case Description	Style
		ND	Cost	ST		
74LS279	156-5245-00		.420	CR	Quad, S-R	SO-16
74ALS373	156-5295-00		EN	Octal, D-type	SO-20	
74AS373	156-5202-00		2.100	CR	Octal, D-type Transparent w/3-state Output	SO-20
74LS373D	156-5113-00		.460	CR	Octal, Transparent, w/3-state Output	SO-20
74LS375	156-5102-00		EN	Quad, Bistable	SO-16	
74LS873	156-5181-00			EN	Dual, 4-bit D-type w/3-state Output	SO-24

LOGIC ARRAYS

Vendor Number	Part Number	Codes ^a			Case Description	Style
		ND	Cost	ST		
PAL16L8A	156-5064-00		5.500	PP	Octal, 16-input AND/OR Invert, Gate AND/NOR, AND/OR Invert, Gate Async, Register, Programmable	SO-20 PLCC28
PAL20L8ACNL	156-5207-00		5.000	CR		
PAL20RA10	156-5026-00			PP		

^a The nominal price (at time of printing) is listed in the cost column. For ND Codes (New Design Recommendations) and Status Codes, see tab marked CODES in the back of this catalog.

DIGITAL, TTL (cont)

MULTIVIBRATORS

Vendor Number	Part Number	Codes ^a			Case Description	Style
		ND	Cost	ST		
74123 74LS221	156-5087-00 156-5174-00		.230 .540	PP EN	Dual, Retriggerable Monostable Multivibrator Dual, Monostable Multivibrator	SO-16

RECEIVERS

Vendor Number	Part Number	Codes ^a			Case Description	Style
		ND	Cost	ST		
74LS245D	156-5016-00		.940	CR	Octal, Buffer/Driver/Receiver	

REGISTERS

Vendor Number	Part Number	Codes ^a			Case Description	Style
		ND	Cost	ST		
74LS164 74F299 74LS373	156-5260-00 156-5292-00 156-5250-00		.270 .450	PP EN PP	8-bit Parallel Shift Register Universal, Shift/Store Register Octal Register w/D-type Transparent Latches & Edge Triggered Flip Flops	SO-14 SO-20 SO-20
74LS595	156-5272-00		3.300	EN	8-bit Shift Register w/o Latches	SO-16
74ALS652	156-5062-00		4.800	EN	Octal, Bus Transceiver/Register, Chip Carrier	SO-28
74ALS652 74ALS652 74AS652	156-5159-00 156-5180-00 156-5160-00		4.570	PP DL EN	Octal Bus Transceiver/Register Octal, Bus Transceiver/Register Octal Bus Transceiver/Register	SO-24 SO-24 SO-24

TRANSCEIVERS

Vendor Number	Part Number	Codes ^a			Case Description	Style
		ND	Cost	ST		
74LS243 74F245 74LS245D	156-5175-00 156-5058-00 156-5028-00		.240	DL EN DL	Quad, Bus Octal, w/3-state Output Octal, Bus	SO-14 SO-20 SO-20
74LS640-1 74ALS652	156-5176-00 156-5062-00		.950 4.800	PP EN	Octal, Bus, 3-state Octal, Bus Transceiver/Register,	SO-20 SO-28
74ALS652 74ALS652 74AS652	156-5159-00 156-5180-00 156-5160-00		4.570	PP DL EN	Octal, Bus Transceiver/Register Octal, Bus Transceiver/Register Octal Bus Transceiver/Register	SO-24 SO-24 SO-24

MISCELLANEOUS

Vendor Number	Part Number	Codes ^a			Case Description	Style
		ND	Cost	ST		
74LS31	156-5249-00		.490	PP	Delay Elements	SO-16

^a The nominal price (at time of printing) is listed in the cost column. For ND Codes (New Design Recommendations) and Status Codes, see tab marked CODES in the back of this catalog.

TTL FAMILY NUMBER LISTING

STANDARD

Vendor Number	Part Number	Description	Case Style
PAL16L8A	156-5064-XX	Logic Array, Octal, 16-input AND/OR Invert	SO-20
PAL20L8ACNL	156-5207-XX	Logic Array, AND/NOR, AND/OR Invert, Gate	PLCC-28
PAL20RA10	156-5026-XX	Logic Array Async, Register, Programmable	
7406	156-5042-XX	Buffer/Driver, Hex, Inverting w/OC Output	SO-14
74123	156-5087-XX	Multivibrator, Dual, Retriggerable Monostable	
74145	156-5271-XX	Decoder/Driver, 1 of 10 w/OC Output	SO-16

SCHOTTKY

Vendor Number	Part Number	Description	Case Style
74S03	156-5065-XX	Gate, Quad, 2-input Positive NAND w/OC Output	SO-14
74S08	156-5030-XX	Gate, Quad, 2-input AND	SO-14
74S74D	156-5107-XX	Flip-Flop, Dual, D-type	SO-14
74S169	156-5031-XX	Counter, Sync, 4-bit Up/Down	SO-16

For listing by function, see Pages 11-8 thru 11-12.

TTL FAMILY NUMBER LISTING (cont)

LOW POWER SCHOTTKY

Vendor Number	Part Number	Description	Case Style
74LS00	156-5001-XX	Gate, Quad, 2-input NAND	SO-14
74LS00	156-5027-XX	Gate, Quad, 2-input NAND	SO-14
74LS02	156-5002-XX	Gate, Quad, 2-input NOR	Quad Pak
74LS02	156-5032-XX	Gate, Quad, 2-input NOR	SO-14
74LS03	156-5270-00	Gate, Quad, 2-input Positive NAND w/OC Output	SO-14
74LS04	156-5010-XX	Inverter, Hex	SO-14
74LS04D	156-5015-XX	Inverter, Hex	SO-14
74LS05D	156-5024-XX	Inverter, Hex w/OC Output	SO-14
74LS08	156-5013-XX	Gate, Quad, 2-input AND	SO-14
74LS09	156-5048-XX	Gate, Quad, 2-input AND w/OC Output	SO-14
74LS10	156-5206-XX	Gate, Triple, 3-input NAND	
74LS11	156-5171-XX	Gate, Triple, 3-input AND	SO-14
74LS12	156-5261-XX	Gate, Triple, 3-input NAND w/OC Output	SO-14
74LS14D	156-5037-XX	Inverter, Hex, w/Schmitt Trigger	SO-14
74LS20	156-5012-XX	Gate, Dual, 4-input NAND	SO-14
74LS21D	156-5025-XX	Gate, Dual, 4-input Positive AND	SO-14
74LS26	156-5152-XX	Gate, Dual, 2-input NAND w/OC Output	SO-14
74LS27	156-5172-XX	Gate, Triple, 3-input NOR	SO-14
74LS30	156-5173-XX	Gate, 8-input NAND	SO-14
74LS30D	156-5109-XX	Gate, Positive NAND	SO-14
74LS31	156-5249-XX	Delay Elements	SO-16
74LS32D	156-5014-XX	Gate, Quad, 2-input OR	
74LS73	156-5204-XX	Flip Flop, Dual, J-K	
74LS74	156-5003-XX	Flip Flop, Dual, D-type w/3-state Output	SO-14
74LS86D	156-5036-XX	Gate, Quad, 2-input EX OR	
74LS109	156-5112-XX	Flip-Flop, Dual, J-K Edge Triggered w/Preset & Clear	SO-16
74LS125	156-5079-XX	Buffer, Quad w/3-state Output	
74LS132	156-5114-XX	Gate, Quad, 2-input NAND w/Schmitt Trigger	SO-14
74LS138	156-5004-XX	Decoder, 3 to 8 Line	Quad Pak
74LS138	156-5033-XX	Decoder, 3-Line	SO-16
74LS139	156-5005-XX	Decoder/Demultiplexe, Dual, 2 to 4 Line	SO-16
74LS145	156-5128-XX	Decoder/Driver	SO-16
74LS145	156-5049-XX	Decoder/Driver, BCD to Decimal	SO-16
74LS148	156-5121-XX	Encoder, 8-input, Priority	
74LS151	156-5199-XX	Multiplexer, 8-input	SO-16
74LS151D	156-5151-XX	Multiplexer, 8 to 1 Line	SO-16
74LS153	156-5038-XX	Multiplexer, Dual, 4-input w/Enable	SO-16
74LS155	156-5067-XX	Decoder/Multiplexer, Dual, 2 to 4 Line	SO-16
74LS157D	156-5047-XX	Multiplexer, Quad, 2 to 1 Line	
74LS161D	156-5115-XX	Counter, 4-bit Binary	SO-16
74LS164	156-5260-XX	Shift Register, 8-bit Parallel	SO-14
74LS169D	156-5110-XX	Counter, 4-bit Bi-directional	SO-16
74LS174	156-5039-XX	Flip Flop, Hex, D-type w/Common Clear & Common Clock	SO-16
74LS175	156-5077-XX	Flip-Flop, Quad	
74LS197	156-5126-XX	Counter, Presettable Binary	SO-14
74LS221	156-5174-XX	Multivibrator, Dual, Monostable	SO-16
74LS240	156-5006-XX	Inverter/Buffer, Octal, w/3-state Output	SO-20
74LS243	156-5175-XX	Transceiver, Quad, Bus	SO-14
74LS244	156-5007-XX	Buffer, Octal, w/3-state Output	Quad Pak
74LS244	156-5034-XX	Buffer, Octal, w/3-state Output	SO-20
74LS245D	156-5016-XX	Buffer/Driver/Receiver, Octal	SO-20
74LS245D	156-5028-XX	Transceiver, Octal, Bus	
74LS257	156-5258-XX	Multiplexer, Quad, 2-input	
74LS260	156-5100-XX	Gate, Dual, 5-input NOR	SO-14
74LS266	156-5040-XX	Gate, Quad, 2-input EX OR w/OC Output	
74LS273	156-5009-XX	Flip-Flop, Octal, D-type w/Clear	SO-20
74LS279	156-5245-XX	Latch, Quad, S-R	SO-16
74LS283	156-5203-XX	Full Adder, 4-bit	
74LS368	156-5041-XX	Bus Driver, Hex, 4 to 2 Line Enable w/3-state Output	
74LS373	156-5250-XX	Register, Octal, w/D-type Transceiver Latches	SO-20

For listing by function, see Pages 11-8 thru 11-12.

TTL FAMILY NUMBER LISTING (cont)

LOW POWER SCHOTTKY (cont)

Vendor Number	Part Number	Description	Case Style
74LS373D	156-5113-XX	Latch, Octal, Transparent w/3-state Output	SO-20
74LS374	156-5008-XX	Flip-Flop, Octal, D-type, Edge Triggered	Quad Pak
74LS374	156-5035-XX	Flip-Flop, Octal, D-type Edge Triggered	SO-20
74LS375	156-5102-XX	Latch, Quad, Bistable	SO-16
74LS377	156-5044-XX	Flip-Flop, Octal, D-type w/Clock Enable	SO-20
74LS393D	156-5108-XX	Counter, Dual, 4-bit Binary	SO-16
74LS541	156-5244-XX	Buffer/Line Driver, Octal, w/3-state Output	SO-20
74LS593	156-5200-XX	Counter, 8-bit Binary w/Input Registers	SO-20
74LS593	156-5284-XX	Counter, 8-bit Binary w/Input Registers	SO-20
74LS595	156-5272-XX	Shift Register, 8-bit w/o Latches	SO-16
74LS640-1	156-5176-XX	Transceiver, Octal, Bus, 3-state	SO-20

For listing by function, see Pages 11-8 thru 11-12.

TTL FAMILY NUMBER LISTING (cont)

ADVANCED SCHOTTKY

Vendor Number	Part Number	Description	Case Style
74F00D	156-5127-XX	Gate Quad, 2-input NAND	SO-14
74F00D	156-5118-XX	Gate, Quad, 2-input NAND	SO-14
74F02	156-5051-XX	Gate, Quad, 2-input NOR	SO-14
74F04	156-5052-XX	Inverter, Hex	SO-14
74F08	156-5053-XX	Gate, Quad, 2-input AND	SO-14
74F10	156-5186-XX	Gate, Triple, 3-input NAND	SO-14
74F11	156-5187-XX	Gate, Triple, 3-input AND	SOL-1N
74F11	156-5247-XX	Gate, Triple, 3-input AND	SO-14
74F14	156-5268-XX	Inverter, Hex w/Schmitt Trigger	SO-14
74F32D	156-5054-XX	Gate, Quad, 2-input OR	SO-14
74F38	156-5164-XX	Buffer, Quad, 2-input NAND w/OC Output	SO-14
74F64	156-5165-XX	Gate, Input AND/OR	SO-14
74F74	156-5055-XX	Flip-Flop, Dual, D-type	SO-14
74F74D	156-5150-XX	Flip-Flop, Fast, D-type	SO-14
74F79	156-5170-XX	Counter, 8-bit Bi-directional Binary	SO-20
74F86	156-5188-XX	Gate, Quad, 2-input EX OR	SO-14
74F109	156-5086-XX	Flip-Flop, Dual, J-K	SO-16
74F109	156-5189-XX	Flip-Flop, Dual, J-K Positive Edge Triggered	SO-15
74F112	156-5200-XX	Flip-Flop, Dual, J-K Negative Edge Triggered	20-16N
74F112	156-5246-XX	Flip Flop, Dual, J-K Edge Triggered	SO-16
74F138	156-5190-XX	Decoder/Demultiplexer, 1 of 8	SO-16
74F139	156-5191-XX	Decoder/Demultiplexer, Dual, 2 to 10	SO-16
74F148	156-5253-XX	Encoder	SO-16
74F151	156-5166-XX	Multiplexer, 8-input	SO-16
74F153	156-5293-XX	Multiplexer, Dual, 4-input w/Enable	SO-16
74F157	156-5192-XX	Data Selector, Quad, 2-input	SO-16
74F161	156-5285-XX	Counter, 40bit Binary	SO-16
74F174	156-5193-XX	Flip-Flop, Hex/Quad, D-type	SO-16
74F175	156-5194-XX	Flip-Flop, Quad, D-type	SO-16
74F240D	156-5056-XX	Inverter/Buffer, Octal, w/3-state Output	SO-20
74F244	156-5057-XX	Buffer, Octal	SO-20
74F245D	156-5058-XX	Transceiver, Octal, w/3-state Output	SO-20
74F269	156-5167-XX	Counter, 8-bit Bi-directional Binary	SO-24
74F273	156-5195-XX	Flip-Flop, Octal, D-type	SO-20
74F299	156-5292-XX	Shift/Store Register, Universal	SO-20
74F352	156-5201-XX	Multiplexer, Dual, 4 to 1 Line	SO-16
74AS373	156-5202-XX	Latch, Octal, D-type Transparent w/OC Output	SO-20
74F373	156-5059-XX	Flip-Flop, 8-bit Transparent Latched w/3-state Output	SO-20
74F374	156-5168-XX	Flip-Flop, Octal, D-type w/3-state Out	SO-20
74F374	156-5196-XX	Flip-Flop, Octal, D-type, w/3-state Output	SO-20
74F521	156-5197-XX	Comparator, 8-bit Ideidity	SO-20
74F569	156-5169-XX	Counter, 8-bit Bi-directional w/3-state Output	SO-20
74AS756	156-5187-XX	Buffer/Line Driver, Octal w/OC Output	SO-20L
74AS804A	156-5061-XX	Driver, Hex, 2-input NAND, Chip Carrier	SO-20
74AS804A	156-5061-XX	Driver, Hex, 2-input NAND, Chip Carrier	SO-20
74AS821	156-5184-XX	Flip-Flop, 10-bit, Bus Interface w/3-state Output	SO-24
74AS850	156-5045-XX	Data Selector/Multiplexer w/3-state Output	SO-28
74AS850	156-5046-XX	Data Selector/Multiplexer, 1 of 16, w/3-state Output	
74AS850	156-5251-XX	Data Delector/Multiplexer 1 of 6, w/3-state Output	PCC-26
74AS851	156-5185-XX	Data Selector/Multiplexer, 1 of 16	SO-8
74AS874	156-5163-XX	Flip-Flop, Dual, 4-bit	SO-24
74AS1004	156-5178-XX	Driver, Hex, Inverting	SO-14
74AS1008	156-5179-XX	Driver, Quad, 2-input Positive	SO-14

For listing by function, see Pages 11-8 thru 11-12.

TTL FAMILY NUMBER LISTING (cont)

ADVANCED LOW POWER SCHOTTKY

Vendor Number	Part Number	Description	Case Style
74ALS131	156-5294-XX	Decoder/Demultiplexer, 3 to 8 Line	
74ALS373	156-5295-XX	Latch, Octal, D-type	SO-20
74ALS374	156-5296-XX	Flip-Flop, 18, D-type	SO-20
74ALS540	156-5180-XX	Buffer/Line Driver, Octal w/3-state Output	PCC-20
74ALS541	156-5182-XX	Buffer/Line Driver, Octal w/3-state Output	PCC-20
74ALS569	156-5182-XX	Data Selector, 4-bit Binary	SO-20
74ALS576	156-5183-XX	Flip-Flop, Octal, D-type	SO-20
74ALS652	156-5062-XX	Xceiver/Register, Octal, Bus, Chip Carrier	SO-28
74ALS652	156-5159-XX	Transceiver/Register, Octal, Bus	SO-24
74ALS652	156-5160-XX	Transceiver/Register, Oct5al, Bus	SO-24
74ALS652	156-5180-XX	Transceiver/Register, Octal, Bus	SO-24
74ALS677	156-5060-XX	Address Comparator, 16-bit to 4-bit	SO-28
74ALS688	156-5161-XX	Comparator, 8-bit Identity	SO-20
74ALS832	156-5117-XX	Driver, Hex, 2-input OR,	SO-20
74ALS873	156-5181-XX	Latch, Dual, D-type w/3-state Output	SO-24

For listing by function, see Pages 11-8 thru 11-12.

SPECIAL FUNCTION MISCELLANEOUS

Vendor Number	Part Number	Codes ^a			Case Description	Style
		ND	Cost	ST		
211	156-5274-00		1.190	EN	Analog Switch, CMOS	SO-16
LM311	156-5000-00	U	.530	CR	Voltage Comparator, Output Compatable w/RTL, DTL, TTL & MOS, 200 nS	SO-8
LM319	156-5119-00		.400	EN	Dual, Voltage Comparator	
NE527	156-1971-00		.980	CR	Comparator, Linear High Speed w/Strobe Complementary Output Gates	SO-14
4052	156-5120-00		.320	EN	Analog Multiplexer/Demultiplexer, 4-channel	
AM6012	156-5157-00		3.600	CR	12-bit High Speed D/A Converter	SO-20
82C54	156-5092-00		8.710	EN	Clock Timer, PLCC-28	
MC1496D	156-5136-00		.380	EN	Balanced Modulator/Demodulator	SO-14
74HC4051D	156-5050-00		.540	PP	Analog Multiplexer, 8-channel, HCMOS, 6 V, 400 nS	SO-16
HI4P-509-5	156-5267-00		4.170	PP	Analog Multiplexer, CMOS, Monolithic	PLCC20
	156-5029-00		43.500	CR	12-bit A/D Converter w/Microprocessor Interface	28 DIP
	156-5124-00			EN	Analog Multiplexer/Demultiplexer, 8-channel	

^a The nominal price (at time of printing) is listed in the cost column. For ND Codes (New Design Recommendations) and Status Codes, see tab marked CODES in the back of this catalog.

OP AMP GENERAL PURPOSE

JEDEC Vendor Number	Part Number	Codes ^a			V _{os} Max (mV)	Drift Max (μV/°C)	I _B Max (nA)	I _{os} Max (nA)	I _{os} Drift (nA/°C)	CMRR Min (dB)	Slew BW Typ (MHz)	Supply Rate Typ (V/μS)	Voltage Max (V)	Internal Comp	Remarks	Case Style
		ND	Cost	ST												
OP-07	156-5082-00			EN												
LM318D	156-5257-00			EN												
LM358D	156-2298-00		.400	CR	7.		250.	50.		65.	1.	.25	16.	Yes	Low Noise, Low Offset High Speed Dual Differential	SOIC-8
MC1458	156-5017-00		.180	CR	6.		500.	200.		70.			18.		Dual	SO-8
MC1458D	156-2053-00		.350	CR	6.		500.	200.		70.	2.	1.	18.		Dual 741 Type	SO-8
3100	156-5223-00		.940	EN											Wideband	SO-16
NE5534D	156-5095-00		.510	CR	4.		1500.	300.		70.			22.		Single, Low Noise	SO-8

FET INPUT

JEDEC Vendor Number	Part Number	Codes ^a			V _{os} Max (mV)	Drift Max (μV/°C)	I _B Max (nA)	I _{os} Max (nA)	I _{os} Drift (nA/°C)	CMRR Min (dB)	Slew BW Typ (MHz)	Supply Rate Typ (V/μS)	Voltage Max (V)	Internal Comp	Remarks	Case Style
		ND	Cost	ST												
MC34001D	156-5023-00		.400	PP	10.	10 Typ	.2	.1		70.	4.	13.	18.		Bi-FET	SOIC-8
MC34002D	156-1989-00		.810	CR	10.	10 Typ	.2	4.		70	4.	13.	18.		Dual Bi-FET	SOIC-8
MC34004D	156-2051-00		1.080	PP	10.		.2	.1		70.	4.	13.	18.		Quad J-FET	SO-14

^a The nominal price (at time of printing) is listed in the cost column. For ND Codes (New Design Recommendations) and Status Codes, see tab marked CODES in the back of this catalog.

TEK PART NUMBER TO VENDOR NUMBER

Part Number	Codes ^a		Vendor	Vendor No.	Type	Page
	ND	ST				
156-1971-00		CR		NE527	Special Function	11-18
156-1989-00		CR	Motorola	MC34002D	Operational Amp	11-19
156-2051-00		PP	Motorola	MC34004D	Operational Amp	11-19
			Texas Instruments	TL074CD		
156-2053-00		PP	Motorola	MC1458D	Operational Amp	11-19
			Signetics	NE4558D		
156-2125-00	N	CR	Signetics	HEF4001BTD	ECL	11-7
156-2126-00	N	CR	Signetics	HEF4013BTD	CMOS	11-5
156-2127-00	N	CR	Signetics	HEF4015BTD	ECL	11-6
156-2128-00	N	CR	Motorola	MC14021BD	CMOS	11-6
			Signetics	HEF4001BTD		
156-2129-00	N	CR	Signetics	HEF4081BTD	CMOS	11-5
156-2130-00	N	CR	Signetics	HEF4082BTD	CMOS	11-5
156-2131-00	N	CR	Motorola	MC14093BTD	CMOS	11-5
			Signetics	HEF4093BTD		
156-2132-00	N	CR	Signetics	HEF40097BTD	CMOS	11-4
156-2133-00	N	CR	Signetics	HEF40193BTD	CMOS	11-4
156-2298-00		CR	Motorola	LM358D	Operational Amp	11-19
			Signetics	LM358D		
156-3014-00		EN		TM4256HE4	CMOS	11-3
156-3020-00		EN			CMOS	11-3
156-3025-00		EN		74HC193	CMOS	11-4
156-3026-00		EN		74HC574	CMOS	11-5
156-3027-00		EN		74HCT27	CMOS	11-5
156-5000-00	U	CR	Motorola	LM311D	Special Function	11-18
			Signetics	LM311D		
			Texas Instruments	LM311D		
156-5001-00	U	CR	Signetics	N74LS00D	TTL	11-11
			Texas Instruments	SN74LS00D		
156-5002-00		DL		74LS02	TTL	11-11
156-5003-00	U	CR	Signetics	74LS74AD	TTL	11-10
			Texas Instruments	SN74LS74AD		
156-5004-00		DL		74LS138	TTL	11-9
156-5005-00	U	CR	Signetics	N74LS139D	TTL	11-9
			Texas Instruments	SN74LS139D		
156-5006-00		CR	Signetics	N74LS240D	TTL	11-8
			Texas Instruments	SN74LS240D		
156-5007-00		DL		74LS24	TTL	11-8
156-5008-00		DL		74LS374	TTL	11-10
156-5009-00		CR	Signetics	N74LS73DT	TTL	11-10
			Texas Instruments	SN74LS273DR		
156-5010-00	U	CR	Signetics	N74L04D	TTL	11-8
156-5011-00		CR	Hitachi	HM6264LFP-15	Mem Sel Guide	11-3
			Toshiba	TC5565FL-15PC		
156-5012-00		CR	Signetics	N74LS20D	TTL	11-11
			Texas Instruments	SN74LS20D		
156-5013-00		CR	Signetics	N74LS08D	TTL	11-11
			Texas Instruments	SN74LS08D		
156-5014-00		CR	Signetics	N74LS32D	TTL	11-11
			Texas Instruments	SN74LS32D		
156-5015-00		CR	Signetics	N74LS04D	TTL	11-8
			Texas Instruments	SN74LS04D		
156-5016-00		CR		74LS245D	TTL	11-8, 9 & 12
156-5017-00		CR	Motorola	MC1458D	Operational Amp	11-19
			Signetics	MC1458D		
156-5018-00		EN		LM358D	Operational Amp	
156-5019-00		CR		LM393D	Special Function	
156-5020-00	N	CR	Signetics	HEF4069UBT/UBTD	CMOS	11-4
156-5021-00	N	CR	Signetics	HEF4094BT/BTD	CMOS	11-6
156-5022-00	N	CR	Signetics	HEF4073BT/BTD	CMOS	11-5
156-5023-00		PP	Motorola	MC34001D	Operational Amp	11-19
156-5024-00		CR	Signetics	N74LS05D	TTL	11-8
			Texas Instruments	SN74LS05D		

^a For ND Codes (New Design Recommendations) and Status Codes, see tab marked CODES in the back of this catalog.

TEK PART NUMBER TO VENDOR NUMBER (cont)

Part Number	Codes ^a		Vendor	Vendor No.	Type	Page
	ND	ST				
156-5025-00		PP	Signetics	74LS21D	TTL	11-11
156-5026-00		PP		PAL20RA10CNL	TTL	11-11
156-5027-00		PP	Signetics	74LS00D	TTL	11-11
156-5028-00		DL	Signetics	74LS245D	TTL	11-12
156-5029-00		CR			Special Function	11-18
156-5030-00		CR	Signetics	N74S08D	TTL	11-11
156-5031-00	U	CR	Signetics	74S169AD	TTL	11-8
156-5032-00	U	CR	Signetics	74LS02D	TTL	11-11
156-5033-00	U	PP	Signetics	74LS138DT	TTL	11-9
156-5034-00	U	CR	Signetics	74LS244DT	TTL	11-8
156-5035-00	U	CR	Signetics	74LS374DT	TTL	11-10
156-5036-00		CR	Signetics	N74LS86D	TTL	11-11
			Texas Instruments	SN74LS86D		
156-5037-00			Signetics	N74LS14D	TTL	11-8
			Texas Instruments	SN74LS14D		
156-5038-00		CR	Signetics	N74LS153D	TTL	11-9
			Texas Instruments	SN74LS153D		
156-5039-00		CR	Signetics	N74LS174D	TTL	11-10
			Texas Instruments	SN74LS174D		
156-5040-00		CR	Signetics	74LS266DT	TTL	11-11
			Texas Instruments	SN74LS266DR		
156-5041-00		CR	Signetics	N74LS368ADT	TTL	11-9
			Texas Instruments	SN74LS368DR		
156-5042-00		CR	Signetics	N7406D	TTL	11-8 & 9
			Texas Instruments	SN7406DR		
156-5043-00		EN	Signetics	HEF4028BTD	Special Function	
156-5044-00		EN	Signetics	74LS377D	TTL	11-10
156-5045-00		DL		74AS850	TTL	11-9
156-5046-00		DL		SN74AS850	TTL	11-9
156-5047-00		CR	Signetics	74LS157DT	TTL	11-9
156-5048-00		CR	Signetics	N74LS09D	TTL	11-11
156-5049-00		PP	Motorola	74LS145D	TTL	11-9
			Texas Instruments	SN74LS145D		
156-5050-00		PP	Motorola	MC74HC4051D	Special Function	11-18
			National Semiconductor	74HC4051D		
			RCA	CD74HC4051M		
			Signetics	74HC4051D		
156-5051-00		CR	Signetics	N74F02D	TTL	11-11
156-5052-00		CR	Signetics	N74F04D	TTL	11-8
156-5053-00		CR	Signetics	N74F08D	TTL	11-11
156-5054-00		CR	Signetics	N74F32D	TTL	11-11
156-5055-00		CR	Signetics	N74F74D	TTL	11-10
156-5056-00		CR	Signetics	N74F240D	TTL	11-8
156-5057-00		CR	Signetics	N74F244D	TTL	11-8
156-5058-00		CR	Signetics	N74F245D	TTL	11-12
156-5059-00		CR	Signetics	N74F373D	TTL	11-10
156-5060-00		EN	Texas Instruments	SN74ALS677FN	TTL	11-8
156-5061-00		DL		SN74AS804A	TTL	11-9
156-5062-00		EN	Texas Instruments	74ALS652	TTL	11-12
156-5063-00		DL		74F04D	TTL	
156-5064-00		PP	Monolithic Memories	PAL16L8ACNL	TTL	11-11
			Texas Instruments	TIBPAL16L8-15CFN		
156-5065-00		EN	Texas Instruments	SN74S03D	TTL	11-
156-5066-00		EN	Motorola	74HCU04D	CMOS	11-4
			Signetics	74HCU04D		
156-5067-00		EN		74LS155	TTL	11-9
156-5068-00		EN		74HCT174	CMOS	11-5
156-5069-00		EN		74HC240	CMOS	11-4
156-5070-00		PP		74HCT244	CMOS	11-4
156-5071-00		PP		74HCT245	CMOS	11-6
156-5072-00		EN		74HCT251	CMOS	11-4
156-5073-00		EN		4053	CMOS	11-4

^a For ND Codes (New Design Recommendations) and Status Codes, see tab marked CODES in the back of this catalog.

TEK PART NUMBER TO VENDOR NUMBER (cont)

Part Number	Codes ^a		Vendor	Vendor No.	Type	Page
	ND	ST				
156-5074-00		PP		74HC74	HCMOS	11-5
156-5075-00		EN		74HC00	HCMOS	11-5
156-5076-00		EN		4013	CMOS	11-5
156-5077-00		PP		74LS175	TTL	11-10
156-5078-00		EN		74HCT86	CMOS	11-5
156-5079-00		PP		74LS125	TTL	11-8
156-5080-00		EN		4021	CMOS	11-6
156-5081-00		PP		74HCT04	CMOS	11-4
156-5082-00		EN		OP-07	Operational Amp	11-19
156-5083-00		EN		74HCT08	CMOS	11-5
156-5084-00		EN		74HCT20	CMOS	11-5
156-5085-00		EN		74HCT32	CMOS	11-5
156-5086-00		EN		74F109	TTL	11-10
156-5087-00		PP		74123	TTL	1-12
156-5088-00		PP		74HCT138	CMOS	11-4
156-5089-00		EN		FLCC-32		
156-5090-00		EN		SOL-28		
156-5091-00		EN		80C88	Multifunction	11-2
156-5092-00		EN		82C54	Special Function	11-18
156-5093-00		EN		OKCC32	Multifunction	11-2
156-5094-00		EN		82C84A	CMOS	11-4 & 5
156-5095-00		CR	Signetics	NE5534D	Operational Amp	11-19
156-5096-00		EN		LM324	Operational Amp	
156-5097-00		EN		4051		
156-5098-00		PP		74HCT00	CMOS	11-5
156-5099-00		EN		74HCT04	CMOS	11-4
156-5100-00		PP		74LS260	TTL	11-11
156-5101-00		EN		74HCT373	CMOS	11-5
156-5102-00		EN		74LS375	TTL	11-11
156-5103-00		EN		74HC393	CMOS	11-4
156-5104-00		EN		4040	CMOS	
156-5105-00		EN		40174	CMOS	
156-5106-00		PP		74HTC02D	CMOS	11-5
156-5107-00		EN		74S74D	TTL	11-10
156-5108-00		EN		74LS393D	TTL	11-8
156-5109-00		EN		74LS30D	TTL	11-11
156-5110-00		EN		74LS169D	TTL	11-8
156-5111-00		PP		4556B	CMOS	11-4
156-5112-00		EN		74LS109D	TTL	11-10
156-5113-00		CR	Signetics Texas Instruments	N74LS373D SN74LS373D	TTL	11-11
156-5114-00		EN		74LS132	TTL	11-11
156-5115-00		EN		74LS161D	TTL	11-11
156-5116-00		EN		AD7118KN	Linear	
156-5117-00		EN	Texas Instruments	SN74AS832BFN	TTL	11-9
156-5118-00		CR	Motorola Signetics	74F00 N74F00D	TTL	11-11
156-5119-00		EN		LM319	Special Function	11-18
156-5120-00		EN		4052	Special Function	18
156-5121-00		EN		74LS148	TTL	11-10
156-5122-00		EN		74HCT175	CMOS	11-5
156-5123-00		EN		74HCT154	CMOS	11-4
156-5124-00		EN		Special Function	11-18	
156-5125-00		DL		4094B	CMOS	
156-5126-00		EN		74LS197	TTL	11-8
156-5127-00		DL		74F00D	TTL	11-11
156-5128-00		DL		74LS145	TTL	11-9

^a For ND Codes (New Design Recommendations) and Status Codes, see tab marked CODES in the back of this catalog.

TEK PART NUMBER TO VENDOR NUMBER (cont)

Part Number	Codes ^a		Vendor	Vendor No.	Type	Page
	ND	ST				
156-5129-00		DL	Signetics	74HCT32D	CMOS	11-4
156-5130-00		PP		74HCT10	CMOS	11-5
156-5131-00		PP		74HCT14	CMOS	11-4
156-5132-00		PP	Signetics	74HCT30D	CMOS	11-5
156-5133-00		PP		74HCT151	CMOS	11-4
156-5134-00		PP		74HCT161	CMOS	11-4
156-5135-00		PP	Signetics	74HCT164D	CMOS	11-6
156-5136-00		EN		MC14960	Special Function	11-18
156-5137-00		PP			Multifunction	11-2
156-5139-00		PP		40097BD	CMOS	11-4
156-5140-00		PP		4008BD		
156-5141-00		PP		4040BD	CMOS	11-4
156-5142-00		PP		74HCT139	CMOS	11-4
156-5143-00		PP		74HCT374	CMOS	11-5
156-5144-00		PP		74HCT175	CMOS	11-5
156-5145-00		PP		74HCT74	CMOS	11-5
156-5146-00		PP		74HCTR08	CMOS	11-5
156-5147-00		PP		74HCT273	CMOS	11-5
156-5148-00		PP		74HCT257	CMOS	11-5
156-5149-00		PP		74HCT670	CMOS	11-6
156-5150-00		DL		74F74D	TTL	11-10
156-5151-00		DL		74LS151D	TTL	11-9
156-5152-00		PP		74LS26	TTL	11-11
156-5153-00		EN		10U4464	Memory Selection Guide	11-3
156-5154-00		EN		74HC03	CMOS	11-5
156-5155-00		EN		74HC04	CMOS	11-4
156-5156-00		EN		74HC74	CMOS	11-5
156-5157-00		CR	Signetics	AM6012D	Special Function	11-18
156-5158-00		EN		HM6116LPF	Memory Selection Guide	11-3
156-5159-00		PP	Texas Instruments	SN74ALS652DW	TTL	11-12
156-5160-00		EN		74AS652	TTL	11-12
156-5161-00		EN		74ALS688	TTL	11-8
156-5162-00		DL		74AS843	TTL	
156-5163-00		DL		74AS874	TTL	11-10
156-5164-00		EN		74F38	TTL	11-8
156-5165-00		CR	Motorola	MC74F64D	TTL	11-11
156-5166-00		EN	Signetics	N74F64D		
156-5167-00		DL		74F151	TTL	11-9
156-5168-00		CR	Motorola	74F269	TTL	11-8
			Signetics	MC74F374DW	TTL	11-11
				N74F374D		
156-5169-00		DL		74F569	TTL	11-8
156-5170-00		EN		74FS79	TTL	11-8
156-5171-00		CR	Motorola	SN74LS11D	TTL	11-11
			Signetics	N74LS11D		
156-5172-00		CR	Motorola	SN74LS27	TTL	11-11
			Signetics	N74LS27D		
156-5173-00		DL		74LS30	TTL	11-11
156-5174-00		EN	Motorola	SN74LS221D	TTL	12
			Texas Instruments	SN74LS221D		
156-5175-00		DL		74LS243	TTL	11-12
156-5176-00		PP	Signetics	N74LS640-1D	TTL	11-12
156-5177-00		EN	Toshiba	TC5565F-12	Memory Selection Guide	11-3
156-5178-00		EN	Texas Instruments	SN74AS1004AD	TTL	11-9
156-5179-00		EN		74AS1008	TTL	11-9
156-5180-00		DL	Texas Instruments	SN74ALS540DW	TTL	11-8, 9 & 12
156-5181-00		EN		74ALS873	TTL	11-11

^a For ND Codes (New Design Recommendations) and Status Codes, see tab marked CODES in the back of this catalog.

TEK PART NUMBER TO VENDOR NUMBER (cont)

Part Number	Codes ^a		Vendor	Vendor No.	Type	Page
	ND	ST				
156-5182-00		PP	Texas Instruments	SN74ALS541DW	TTL	11-8 & 9
156-5183-00		EN	Texas Instruments	SN74ALS576DW	TTL	11-10
156-5184-00		EN		74AS821	TTL	11-10
156-5185-00		DL		74AS851	TTL	11-9
156-5186-00		CR	Motorola	MC74F10D	TTL	11-11
			Signetics	N74F10D		
156-5187-00		EN	Texas Instruments	SN74AS756DW	TTL	11-8 & 9
156-5188-00		CR	Signetics	N74F86D	TTL	11-11
156-5189-00		PP	Signetics	N74F109D	TTL	11-10
156-5190-00		CR	Signetics	N74F138D	TTL	11-9
156-5191-00		CR	Motorola	MC74F139D	TTL	11-9
			Signetics	N74F139D		
156-5192-00		EN	Signetics	N74F157D	TTL	11-9
156-5193-00		CR	Motorola	MC74F174D	TTL	11-10
			Signetics	N74F174D		
156-5194-00		CR	Motorola	MC74F175D	TTL	11-10
			Signetics	N74F175D		
156-5195-00		EN		74F273	TTL	11-10
156-5196-00		DL		74F374	TTL	11-10
156-5197-00		CR	Motorola	MC74F521DW	TTL	11-8
			Signetics	N74F521D		
156-5198-00		CR	RCA	CD74HCT86M	CMOS	11-5
156-5199-00		PP	Motorola	SN74LS151D	TTL	11-9
			Texas Instruments	SN74LS151D		
156-5200-00		DL		74F112	TTL	11-10
156-5201-00		EN	Signetics	N74F352D	TTL	9
156-5202-00		CR	Texas Instruments	74AS373DW	TTL	11-11
156-5203-00		EN		74LS283	TTL	11-8 & 10
156-5204-00		EN		74HCT73	CMOS	11-20
156-5205-00		EN		4028		
156-5206-00		EN		74LS10	TTL	11-11
156-5207-00		CR	Monolithic Memories	PAL20L8ACNL	TTL	11-11
156-5208-00		EN				
156-5220-00		EN		74HCT541	CMOS	11-4
156-5221-00		EN		10H131	ECL	11-7
156-5222-00		EN		74LS169AD	TTL	
156-5223-00		EN		3100	Operational Amp	11-19
156-5224-00		EN		011	CMOS	
156-5225-00		EN		005	CMOS	
156-5226-00		EN		006	CMOS	
156-5227-00		EN		74HC123	CMOS	11-6
156-5228-00		EN		155	Memory Selection Guide	
156-5229-00		EN		155	Memory Selection Guide	
156-5230-00		EN		157	Memory Selection Guide	
156-5231-00		EN		159	Memory Selection Guide	
156-5232-00		EN		ADG204	CMOS	
156-5233-00		EN		ADG205	CMOS	
156-5243-00		EN	Signetics	HEFA028BTD	CMOS	11-4
156-5244-00		CR	Signetics	N74LS541D	TTL	11-8 & 9
			Texas Instruments	SN74LS541DW		
156-5245-00		CR	Motorola	SN74LS279D	TTL	11-11
			Texas Instruments	SN74LS279D		
156-5246-00		EN	Fairchild	74F112SC	TTL	11-10
			Signetics	74F112D		
156-5247-00		PP	Motorola	MC74F11D	TTL	11-11
			Signetics	N74F11D		
156-5248-00		DL		74L510	TTL	

^a For ND Codes (New Design Recommendations) and Status Codes, see tab marked CODES in the back of this catalog.

TEK PART NUMBER TO VENDOR NUMBER (cont)

Part Number	Codes ^a		Vendor	Vendor No.	Type	Page
	ND	ST				
156-5249-00		PP	Texas Instruments	SN74LS31D	TTL	11-12
156-5250-00		PP	Signetics	N74LS373D	TTL	11-12
156-5251-00		EN	Texas Instruments	SN74LS373DW	TTL	11-0
156-5252-00		CR	Cypress	SN74AS850FN CY7C168-25SC/CS0511	Memory Selection Guide	11-3
156-5253-00		PP	Signetics	N74F148D	TTL	11-10
156-5254-00		PP		74HCT4094B	CMOS	11-3
156-5255-00		EN		UPD70108	Multifunction	
156-5256-00		EN		4364	Memory Selection Guide	11-3
156-5257-00		EN		LM318D	Operational Amp	11-19
156-5258-00		EN		74LS257D	TTL	11-9
156-5259-00		EN		4585B		
156-5260-00		PP		74LS164	TTL	11-12
156-5261-00		EN		74LS12D	TTL	11-11
156-5262-00		PP		LM339D	Linear	
156-5263-00		EN		MC1408D	ECL	11-7
156-5264-00		PP		MC10H350FN	HCMOS	11-6
156-5265-00		EN		4538B	Memory Selection Guide	11-2
156-5266-00		PP		43245-G10	Special Function	11-18
156-5267-00		EN	Harris	HI4P-509-5		
156-5268-00		EN		N74F143D	TTL	11-8
156-5269-00		EN		MC10H116FN	ECL	11-7
156-5270-00		EN	Texas Instruments	SN74LS03D	TTL	11-11
156-5271-00		EN	Signetics	N74145D	TTL	11-9
156-5272-00		EN		74LS595	TTL	11-12
156-5273-00		CM	National Semiconductor	LM361		
156-5274-00		EN	Signetics	NE529D	Linear	11-18
156-5275-00		EN		211	Linear	
156-5276-00		PP	Texas Instruments	604 TLC271ADC		
156-5277-00		PP		556		
156-5278-00		EN		74HC125	CMOS	11-4
156-5279-00		EN		10104	ECL	11-7
156-5280-00		EN		5205	Operational Amp	
156-5281-00		EN		18901Y	Linear	
156-5283-00		EN		173	STTL	
156-5284-00		EN		74LS593	TTL	11-8
156-5285-00		EN		74F161	TTL	11-8
156-5286-00		EN		43256	Memory Selection Guide	
156-5287-00		EN		74HC151	CMOS	11-4
156-5288-00		EN		74HC193	HCMOS	11-4
156-5289-00		EN		74HC574	HCMOS	11-5
156-5290-00		EN		74HCT27	HCMOS	11-5
156-5292-00		EN		74F299	TTL	11-12
156-5293-00		EN		74F153	TTL	11-9
156-5294-00		EN		74ALS131	TTL	11-9
156-5295-00		EN		74ALS373	TTL	11-11
156-5296-00		EN		74ALS374	TTL	11-10

^a For ND Codes (New Design Recommendations) and Status Codes, see tab marked CODES in the back of this catalog.

VENDOR NUMBER TO TEK PART NUMBER

Vendor Number	Part Number	Vendor Number	Part Number	Vendor Number	Part Number
005	156-5225-00	HEF4081BTD	156-2129-00	74LS14D	156-5037-00
006	156-5226-00	HEF4082BTD	156-2130-00	74HCT14	156-5131-00
011	156-5224-00	HEF4093BT/BTD	156-2131-00	SN74LS14D	156-5037-00
OP-07	156-5082-00	HEF4094BT/BTD	156-5021-00	74HCT20	156-5084-00
DAC-08	156-5043-00	4094B	156-5125-00	N74LS20D	156-5012-00
HEFA028BTD	156-5243-00	4364-00	156-5256-00	SN74LS20D	156-5012-00
PLCC-28	156-5137-00	4538B	156-5265-00	74LS21D	156-5025-00
SOL-28	156-5090-00	4556B	156-5111-00	74LS24	156-5007-00
FLCC-32	156-5089-00	NE4558D	156-2053-00	74LS26	156-5152-00
OKCC32	156-5093-00	4585B	156-5259-00	74HCT27	156-3027-00
TL074CD	156-2051-00	5205	156-5280-00	74HCT27	156-5290-00
155	156-5228-00	NE5534D	156-5095-00	N74LS27D	156-5172-00
155	156-5229-00	AM6012	156-5157-00	SN74LS27	156-5172-00
157	156-5230-00	HM6116LPF	156-5158-00	74HCT30D	156-5132-00
159	156-5231-00	AD7118KN	156-5116-00	74LS30	156-5173-00
PAL16RA4B	156-5179-00	74F00	156-5118-00	74LS30D	156-5109-00
PAL16L8ACNL	156-5064-00	74F00D	156-5127-00	SN74LS31D	156-5249-00
PAL16L8B	156-5178-00	74HC00	156-5075-00	N74F32D	156-5054-00
173	156-5283-00	74HCT00	156-5098-00	74HCT32	156-5085-00
ADG204	156-5232-00	74LS00D	156-5027-00	74HCT32	156-5129-00
ADG205	156-5233-00	N74F00D	156-5118-00	N74LS32D	156-5014-00
PAL20L8ACNL	156-5207-00	N74LS00D	156-5001-00	SN74LS32D	156-5014-00
211	156-5274-00	SN74LS00D	156-5001-00	74F38	156-5164-00
TLC271ADC	156-5276-00	74HCT02D	156-5106-00	MC74F64D	156-5165-00
LM311D	156-5000-00	74LS02	156-5002-00	N74F64D	156-5165-00
LM318D	156-5257-00	74LS02D	156-5032-00	74HCT73	156-5204-00
LM319	156-5119-00	N74F02D	156-5051-00	74F74D	156-5150-00
LM324	156-5096-00	74HC03	156-5154-00	74HC74	156-5074-00
LM339D	156-5262-00	SN74LS03D	156-5270-00	74HC74	156-5156-00
LM358D	156-2298-00	SN74S03D	156-5065-00	74HCT74	156-5145-00
LM358D	156-5018-00	74HC04	156-5155-00	74LS74D	156-5003-00
LM361	156-5273-00	74HCT04	156-5081-00	SN74LS74AD	156-5003-00
LM393D	156-5019-00	74HCT04	156-5099-00	74S74D	156-5107-00
CS0511	156-5252-00	74HCU04D	156-5066-00	N74F74D	156-5055-00
NE527	156-1971-00	N74F04D	156-5052-00	SN74LS74D	156-5003-00
NE529	156-5273-00	N74F04D	156-5063-00	74FS79	156-5170-00
556	156-5277-00	N74L04D	156-5010-00	N74F86D	156-5188-00
604	156-5275-00	N74LS04D	156-5015-00	74HCT86	156-5078-00
PAL20RA10CNL	156-5026-00	SN74LS04D	156-5015-00	CD74HCT86M	156-5198-00
MC1408D	156-5263-00	N74LS05D	156-5024-00	N74LS86D	156-5036-00
MC1458D	156-2053-00	SN74LS05D	156-5024-00	SN74LS86D	156-5036-00
MC1458D	156-5017-00	N7406DT	156-5042-00	7534	156-5208-00
3100	156-5223-00	SN7406DR	156-5042-00	7549	156-5300-00
LM3580	156-3298-00	74HCTR08	156-5146-00	78L05	156-5298-00
HEF4001BTD	156-2125-00	74HCTR08	156-5083-00	79L05	156-5299-00
HEF4001BTD	156-2128-00	N74LS08D	156-5013-00	80C88	156-5091-00
4008BD	156-5140-00	N74S08D	156-5030-00	82C54	156-5092-00
4013	156-5076-00	N74S08D	156-5053-00	82C84A	156-5094-00
HEF4013BTD	156-2126-00	SN74LS08D	156-5013-00	10104	156-5279-00
HEF4015BTD	156-2127-00	N74LS09D	156-5048-00	MC10H116FN	156-5269-00
4021	156-5080-00	MC74F10D	156-5186-00	10H131	156-5221-00
4028	156-5205-00	N74F10D	156-5186-00	MC10H350FN	156-5264-00
HEF4028BTD	156-5043-00	74HCT10	156-5130-00	MC14093BTD	156-2131-00
4040	156-5104-00	74LS10	156-5206-00	MC14960	156-5136-00
4040BD	156-5141-00	MC74F11D	156-5247-00	18901Y	156-5281-00
4051	156-5097-00	N74F11D	156-5247-00	MC34001D	156-5023-00
4052	156-5120-00	N74LS11D	156-5171-00	MC34002D	156-1989-00
4053	156-5073-00	SN74LS11D	156-5171-00	MC34004D	156-2051-00
HEF4069UBT/UBTD	156-5020-00	74LS12D	156-5261-00	MC34102	156-5138-00
HEF4073BT/BTD	156-5022-00	N74F14D	156-5268-00	HEF40193BTD	156-2133-00

This index is arranged in numerical order, disregarding letters which appear in some vendor numbers.

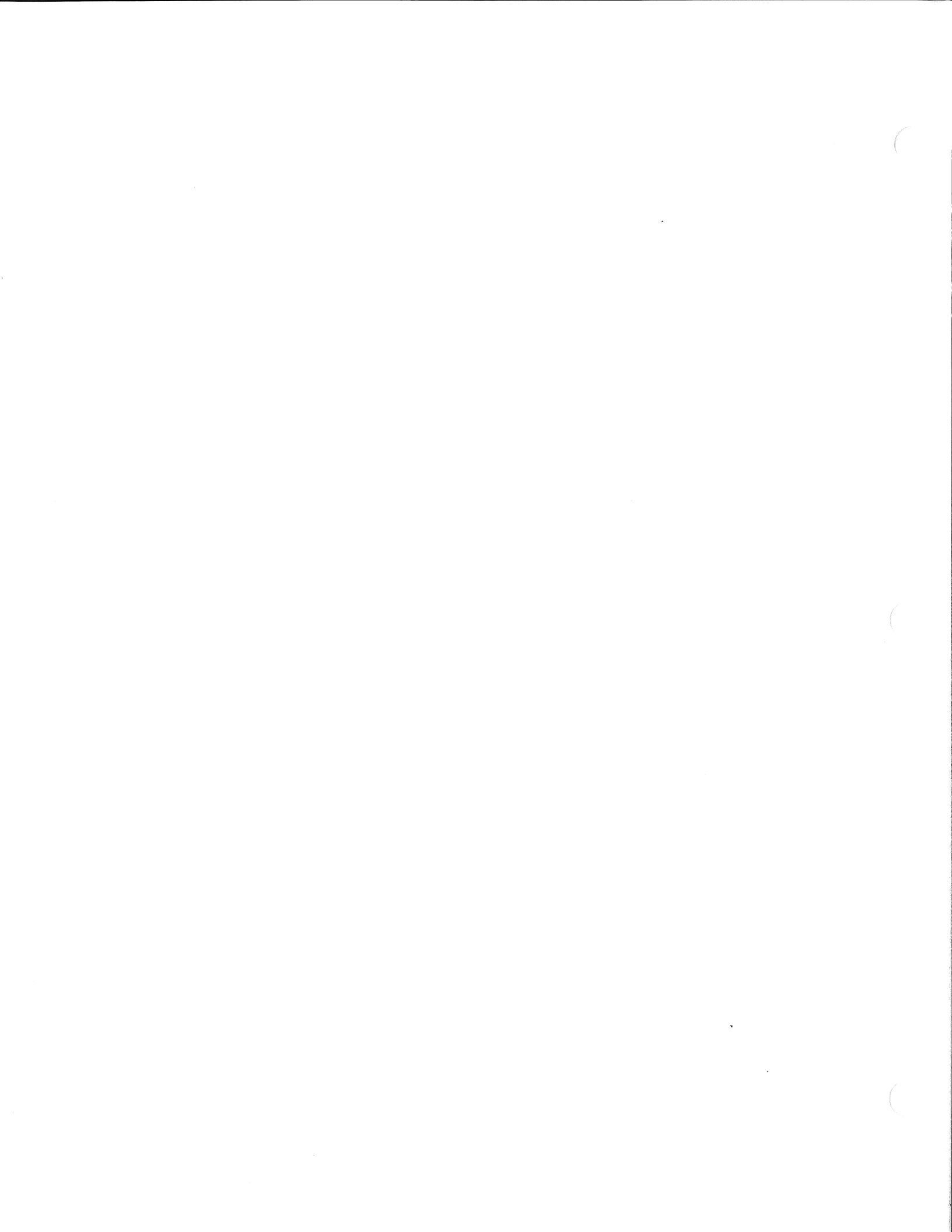
VENDOR NUMBER TO TEK PART NUMBER (cont)

Vendor Number	Part Number
40097BD	156-5139-00
HEF40097BTD	156-2132-00
40174	156-5105-00
TM4256HE4	156-3014-00
43256	156-5286-00
HI4P-509-5	156-5267-00
UPD70108	156-5255-00
7018L-8	156-5301-00
71011	156-5302-00
74F109	156-5086-00
N74F109D	156-5189-00
74LS109	156-5112-00
74F112	156-5200-00
74F112D	156-5246-00
74F112SCD	156-5246-00
74123	156-5087-00
74HC123	156-5227-00
74HC125	156-5278-00
74LS125	156-5079-00
74ALS131	156-5294-00
74LS132	156-5114-00
N74F138D	156-5190-00
74HCT138	156-5088-00
74LS138	156-5004-00
74LS138D	156-5033-00
MC74F139D	156-5191-00
N74F139D	156-5191-00
74HCT139	156-5142-00
N74LS139	156-5005-00
SN74LS139D	156-5005-00
N74145D	156-5271-00
74LS145D	156-5049-00
74LS145	156-5128-00
SN74LS145D	156-5049-00
N74F148D	156-5253-00
74LS148	156-5121-00
74F151	156-5166-00
74HC151	156-5287-00
74HCT151	156-5133-00
SN74LS151D	156-5199-00
74LS151D	156-5151-00
74F153	156-5293-00
N74LS153D	156-5038-00
SN74LS153D	156-5038-00
74HCT154	156-5123-00
74LS155	156-5067-00
N74F157D	156-5192-00
74LS157DT	156-5047-00
74F161	156-5285-00
74HCT161	156-5134-00
74LS161D	156-5115-00
74HCT164	156-5135-00
74LS164	156-5260-00
74LS169AD	156-5222-00
74LS169D	156-5110-00
74S169AD	156-5031-00
MC74F174D	156-5193-00
N74F174D	156-5193-00
N74LS174D	156-5039-00
SN74LS174D	156-5039-00

Vendor Number	Part Number
74LS174	156-5068-00
MC74F175D	156-5194-00
N74F175D	156-5194-00
74HCT175	156-5122-00
74HCT175	156-5144-00
74LS175	156-5077-00
74HC193	156-5025-00
74HC193	156-5288-00
74LS197	156-5126-00
SN74LS221D	156-5174-00
74HC240	156-5069-00
74LS240D	156-5006-00
N74F240D	156-5056-00
SN74LS240D	156-5006-00
74LS243	156-5175-00
74HCT244	156-5070-00
74LS244D	156-5034-00
N74F244D	156-5057-00
N74F245D	156-5058-00
74HCT245	156-5071-00
74LS245D	156-5016-00
74LS245D	156-5028-00
74HCT251	156-5072-00
74HCT257	156-5148-00
74LS257	156-5258-00
74LS260	156-5100-00
N74LS266DT	156-5040-00
SN74LS266DR	156-5040-00
74F269	156-5167-00
74LS273	156-5195-00
N74LS273D	156-5009-00
N74LS273DT	156-5009-00
SN74LS273D	156-5009-00
SN74LS273R	156-5009-00
SN74LS279	156-5245-00
74LS283	156-5203-00
74F299	156-5292-00
N74F352D	156-5201-00
N74LS368ADT	156-5041-00
SN74LS368DR	156-5041-00
74ALS373	156-5295-00
74AS373	156-5202-00
74HCT373	156-5101-00
74HCT373	156-5147-00
N74LS373D	156-5250-00
SN74LS373DW	156-5250-00
N74LS373D	156-5113-00
SN74LS373D	156-5113-00
N74F373D	156-5059-00
74ALS374	156-5296-00
MC74F374DW	156-5168-00
N74F374D	156-5168-00
74F374	156-5196-00
74HCT374	156-5143-00
74LS374	156-5008-00
74LS374D	156-5035-00
74LS375	156-5102-00
74LS377	156-5044-00
74HC393	156-5103-00
74LS393D	156-5108-00

Vendor Number	Part Number
N74F521D	156-5197-00
SN74ALS540DW	156-5180-00
SN74ALS541DW	156-5182-00
74HCT541	156-5220-00
N74LS541D	156-5244-00
SN74LS541DW	156-5244-00
74F569	156-5169-00
74HC574	156-3026-00
74HC574	156-5289-00
SN74ALS576DW	156-5183-00
74LS593	156-5284-00
74LS595	156-5272-00
N74LS640-1D	156-5176-00
SN74ALS652FN	156-5062-00
SN74ALS652DW	156-5159-00
74AS652	156-5160-00
74HCT670	156-5149-00
SN74ALS677FN	156-5060-00
74ALS688	156-5161-00
SN74AS756DW	156-5187-00
SN74AS804A	156-5061-00
74AS821	156-5184-00
SN74AS832BFN	156-5117-00
74AS843	156-5162-00
74AS850	156-5045-00
SN74AS850FN	156-5251-00
SN74AS850	156-5046-00
74AS851	156-5185-00
74ALS873	156-5181-00
74AS874	156-5163-00
10U4464	156-5153-00
TC5565FL-12	156-5177-00
TC5565FL-15PC	156-5011-00
HM6264LFP-15	156-5011-00
CY7C168-25SC	156-5252-00
SN74AS1004AD	156-5178-00
74AS1008-00	156-5179-00
74HC4051D	156-5050-00
CD74HC4051M	156-5050-00
MC74HC4051D	156-5050-00
74HCT4094B	156-5254-00
43256-G10	156-5266-00

This index is arranged in numerical order, disregarding letters which appear in some vendor numbers.



SECTION 12

TABLE OF CONTENTS

	Page
TEK-MADE	
GENERAL CIRCUITS	12-2
OPERATIONAL AMPLIFIERS	12-2
MAIN FRAME LOGIC	12-2
KNOB READOUT SYSTEM	12-2
READOUT SYSTEM	12-2
HORIZONTAL SYSTEM	12-2
AD/DA CIRCUITS	12-2
VERTICAL AMPLIFIERS	12-2
TV AND CRT CONTROL CIRCUITS	12-3
PROBE CIRCUITS	12-3
MICROCIRCUIT COVER LIDS	12-4
PART NUMBER INDEX	12-5

NOTE: For cost and application information on Tek-made integrated circuits contact Application Engineering, Integrated Circuits Manufacturing, 627-1037.

CATALOG WRITER: SANDRA PHILLIPS, 629-3030

CIRCUITS

Part Number	ND Code ^a	Circuit Description	Case Style
155-0022-00	P	Channel Switch	16 DIP
155-0022-01	A	Channel Switch, Checked	16 DIP
155-0047-00	A	Dual Output Amplifier	16 DIP
155-0067-02	P	Power Supply Regulator	16 DIP
155-0031-01	X	Quad Timing Unit	16 DIP
155-0091-00	A	Channel Switch	16 LEAD TO-8
155-0106-00	X	Normalizing Circuit	24 DIP
155-0157-00	X	Digital Storage Vertical Control	24 DIP
155-0158-00	X	Digital Storage Horizontal Control	40 DIP
155-0111-01	X	LED Array, w/Mask	
155-0112-01	X	Phototransistor Array, w/Mask	
155-0199-00	X	7L5 Vertical Control	40 DIP
155-0205-00	X	Channel Switch	16 DIP
155-0244-00	P	System Logic Interface	
155-0253-00	P	Hi Speed Schmitt Trigger	

OPERATIONAL AMPLIFIERS

Part Number	ND Code ^a	Circuit Description	Case Style
155-0035-00	P	Quad Op Amp	16 DIP
155-0057-00	P	2 Op Amps, 2 Current Sources	PLASTIC
155-0083-00	A	Dual Op Amp and Channel Switch	17 MINIPAC
155-0116-00	P	Quad Op Amp	17 DIP CER

MAIN FRAME LOGIC

Part Number	ND Code ^a	Circuit Description	Case Style
155-0009-00	A	Horizontal Lockout Logic	16 DIP
155-0010-00	A	Chop Divider & Blanking (Type 3)	10 LEAD TO-5
155-0011-00	A	Clock and Chop Blanking	16 DIP
155-0012-00	P	Z Axis Logic	16 DIP
155-0013-00	A	Horizontal Chop & Alt Bin (Type 2)	10 LEAD TO-5

KNOB READOUT SYSTEM

Part Number	ND Code ^a	Circuit Description	Case Style
155-0014-01	A	Analog to Decimal Converter	16 DIP
155-0015-01	A	Data Switch	16 DIP
155-0017-00	C	Decade Counter	16 DIP
155-0018-00	C	Zero Logic	16 DIP
155-0019-00	A	Decimal Point & Spacing	16 DIP
155-0020-00	A	Output Assembler	16 DIP
155-0021-01	A	Timing Generator	16 DIP
155-0023-00	A	Character Generator	16 DIP
155-0024-00	A	Character Generator	16 DIP
155-0025-00	A	Character Generator	16 DIP
155-0026-00	A	Character Generator	16 DIP
155-0027-00	A	Character Generator	16 DIP
155-0086-00	X	Legend Generator	20 DIP
155-0087-00	X	Legend Generator	20 DIP
155-0088-00	X	Legend Generator	20 DIP
155-0104-00	X	Legend Generator	20 DIP
155-0105-00	X	Legend Generator	20 DIP
155-0110-00	A	Legend Generator	20 DIP
155-0135-00	X	Legend Generator	20 DIP
155-0171-00	A	4 Decade Counter and Memory	16 MINIPAC
155-0198-00	X	Knob Readout Counter	40 DIP

READOUT SYSTEM

Part Number	ND Code ^a	Circuit Description	Case Style
155-0004-01	X	Beta Computer	16 DIP
155-0005-00	X	Beta Computer	16 DIP
155-0006-01	X	Beta Computer	16 DIP
155-0007-01	X	Readout I	16 DIP
155-0008-01	X	Readout II	16 DIP
155-0114-00	A	Seven Segment Character Generator	16 DIP
155-0119-00	X	Five Digit BCD Counter	40 DIP

HORIZONTAL SYSTEM

Part Number	ND Code ^a	Circuit Description	Case Style
155-0028-00	C	Miller Integrator & Dly Pickoff	10 LEAD TO-5
155-0028-01	C	Miller Integrator & Dly Pickoff	10 LEAD TO-5
155-0048-01	P	Trigger & Sweep	16 MINIPAC
155-0049-02	P	Sweep Control	20 DIP
155-0055-00	P	Trigger & Sweep	16 DIP
155-0056-00	C	Sweep Control	16 DIP
155-0109-01	P	Trigger Circuit	16 DIP
155-0121-00	X	Trigger Subsystem	16 DIP
155-0122-00	P	Sweep Control	16 DIP
155-0123-00	P	Sweep & Pickoff	16 DIP
155-0124-00	P	Horizontal Preamplifier P-P	16 DIP
155-0126-00	P	Trigger Amp, Source Select	20 DIP
155-0241-00	C	Horizontal Amplifier	Power Pkg
155-0151-00	X	Trigger Generator	20 DIP
155-0160-00	C	Trigger Amplifier, Source Select	16 MINIPAC
155-0196-00	P	Trigger Circuit	
155-0216-00	A	Plrt Inv. & Trigger Pickoff Amplifier	16 DIP
155-0217-00	P	Plrt Inv. & Trigger Pickoff Amplifier	16 DIP

AD/DA CIRCUITS

Part Number	ND Code ^a	Circuit Description	Case Style
155-0038-01	A	D/A Converter	16 DIP
155-0038-02	P	D/A Converter	16 DIP
155-0185-00	A	4 Decade DVM	

VERTICAL AMPLIFIERS

Part Number	ND Code ^a	Circuit Description	Case Style
155-0187-00	A	F _T Double Amplifier	
155-0050-01	A	423 Vertical Amplifier	20 DIP
155-0059-00	A	Gain Trim Amplifier	12 LEAD TO-8
155-0061-00	A	F _T Double Amplifier	16 DIP
155-0078-01	P	Diff/Var/Inv Amplifier	16 MINIPAC
155-0207-00	X	Output Amplifier	24 DIP
155-0218-00	P	Output Amplifier	20 DIP
155-0273-00	P	Diff/Var/Inv Amplifier	14 DIP
155-0274-00	P	Diff/Var/Inv Amplifier	14 DIP

^a For ND Codes (New Design Recommendations), see tab marked CODES in the back of this catalog.

TV AND CRT CONTROL CIRCUITS

Part Number	ND Code ^a	Circuit Description	Case Style
155-0051-00	A	Z-Axis & HV Regulator	20 DIP
155-0144-00	P	Sync Stripper	16 DIP
155-0145-00	P	Pulse Output Amplifier	16 DIP
155-0152-00	P	CRT Geometry Correction	16 DIP PLASTIC
155-0154-00	P	Display Multiplexer	20 DIP
155-0188-00	P	TV Sync Generator	40 DIP
155-0247-00	P	Tape Controller	40 DIP

PROBE CIRCUITS

Part Number	ND Code ^a	Circuit Description	Case Style
155-0076-00	C	Input Protection & Probe Logic	16 MINIPAC
155-0215-00	D	Logic Analysis Input	16 DIP

^a For ND Codes (New Design Recommendations), see tab marked CODES in the back of this catalog.

MICROCIRCUIT COVER LIDS

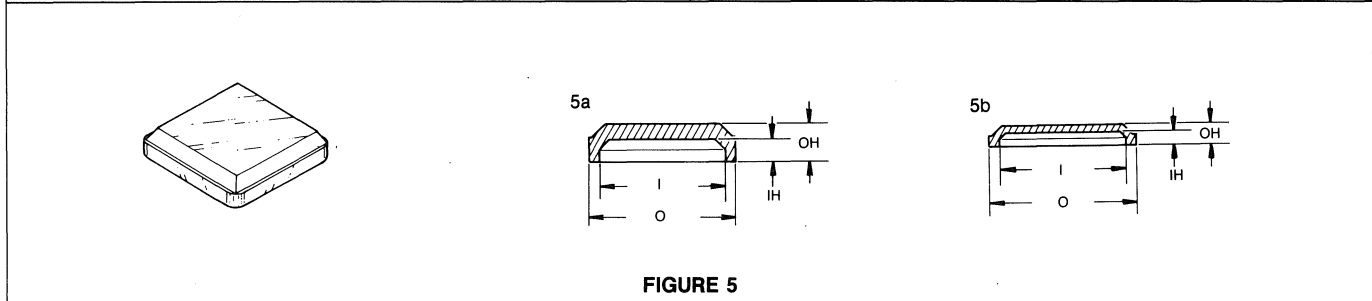
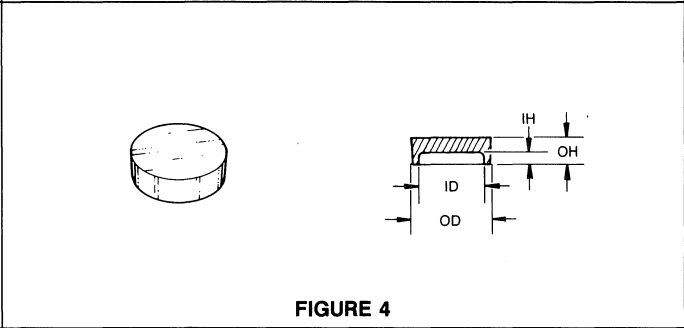
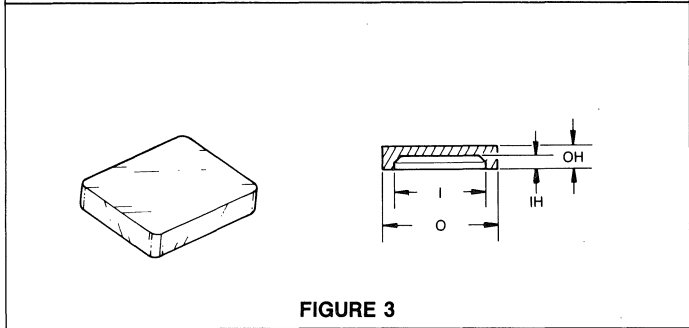
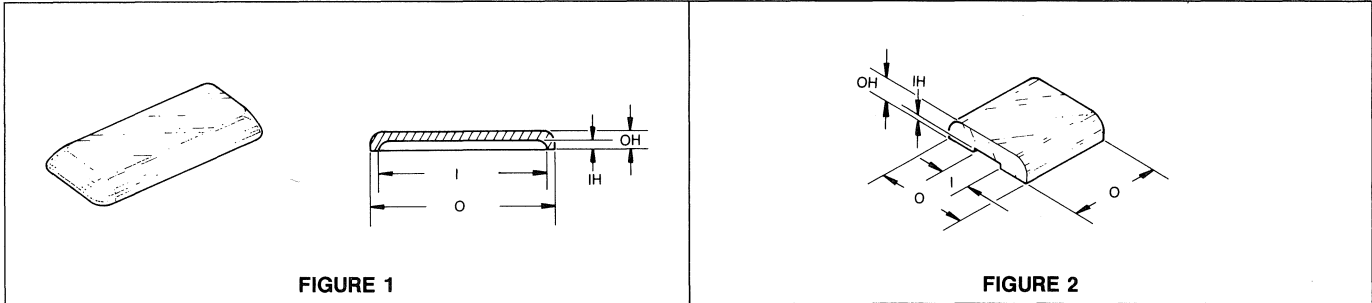


FIGURE 5

Part Number	Inside Dimensions (I) L x H	Inside Height (IH) ^a	Outside Dimensions (O) L x H	Outside Height (OH) ^a	Figure
200-1608-00 ^{b, c}	.100 w Thru	.010	.300 x .300	.067	2
200-1748-00	.250 Dia	.032 Min	.300 Dia	.070	4
200-1748-01	.250 Dia	.070 Min	.300 Dia	.125	4
200-1953-00	.820 x .295	.040 Min	.890 x .365	.085	1
200-2027-00	.260 Square	.045 Min	.310 Square	.085	3
200-2027-03	.260 Square	.045 Min	.310 Square	.085	3
200-2114-00	.422 Square	.045	.492 Square	.070	5b
200-2138-00	.590 Min x .390 Min	.055 Min	.710 Max x .510 Max	.110	3
200-2181-00	.365 x .197	.045	.435 x .267	.085	3
200-2181-01	.365 x .197	.045	.435 x .267	.085	3
200-2182-00	.422 Square	.075 Min	.492 Square	.125	5a
200-2183-00	.200 x .175	.045	.270 x .245	.085	3
200-2274-00	.230 Dia	.055	.250 Dia	.095	4
200-2608-00	1.205 x .360	.100	1.335 x .410	.160	3
200-2609-00	1.020 Square	.100	1.240 Square	.160	3
200-2655-00	1.240 x .360	.040 Min	1.320 x .410	.075 Max	3
200-2660-00	1.860 x .490	.040 Min	1.940 x .570	.075 Max	3
200-2719-00	.355 x .235	.035	.425 x .305	.070	3

ALL THESE PARTS CAN BE PRODUCED IN:

- 252-0115-00 85 White
- 252-0115-01 85 Pink
- 252-0115-02 85 Green
- 252-0115-03 85 Black
- 252-0168-00 96 White

If you can't use a standard length or material, new part numbers can be set up for production quantities: Work orders can be used for short term use. Call John Delazaro (627-3972), Mike Ehler (627-3975), and Bob Rogers (627-3971) for cost information and further assistance.

^a Tek-made lids can increase or decrease in height.

^b The length is variable up to 12 inches.

^c The inside and outside heights cannot be altered.

PART NUMBER INDEX

Part Number	Type	Page No.	Status ^a	Part Number	Type	Page No.	Status ^a
155-0004-01	Readout System	12-2	LR	155-0145-00	TV & CRT Control Circuit	12-3	CR
155-0005-00	Readout System	12-2	LR	155-0151-00	Horizontal System	12-2	LS
155-0006-01	Readout System	12-2	LR	155-0152-00	TV & CRT Control Circuit	12-3	NP
155-0007-01	Readout System	12-2	CR	155-0154-00	TV & CRT Control Circuit	12-3	CR
155-0008-01	Readout System	12-2	LR	155-0157-00	General Circuit	12-2	LR
155-0009-00	Main Frame Logic	12-2	CR	155-0158-00	General Circuit	12-2	LR
155-0010-00	Main Frame Logic	12-2	CR	155-0160-00	Horizontal System	12-2	CR
155-0011-00	Main Frame Logic	12-2	CR	155-0171-00	Knob Readout System	12-2	CR
155-0012-00	Main Frame Logic	3-9	CR	155-0185-00	AD/DA Circuit	12-2	CR
155-0013-00	Main Frame Logic	12-2	CR	155-0187-00	Vertical Amplifier	12-2	LR
155-0014-01	Knob Readout System	12-2	CR	155-0188-00	TV & CRT Control Circuit	12-3	CR
155-0015-01	Knob Readout System	12-2	CR	155-0196-00	Horizontal System	12-2	CR
155-0017-00	Knob Readout System	12-2	CR	155-0198-00	Knob Readout System	12-2	LR
155-0018-00	Knob Readout System	12-2	CR	155-0199-00	General Circuit	12-2	LR
155-0019-00	Knob Readout System	12-2	CR	155-0205-00	General Circuit	12-2	LS
155-0020-00	Knob Readout System	12-2	CR	155-0207-00	Vertical Amplifier	12-2	NP
155-0021-01	Knob Readout System	12-2	CR	155-0215-00	Probe Circuit	12-3	CR
155-0022-00	General Circuit	12-2	CR	155-0216-00	Horizontal System	12-2	LR
155-0022-01	General Circuit	12-2	OB	155-0217-00	Horizontal System	12-2	LR
155-0023-00	Knob Readout System	12-2	CR	155-0218-00	Vertical Amplifier	12-2	CR
155-0024-00	Knob Readout System	12-2	CR	155-0225-00	TV & CRT Control Circuit		NP
155-0025-00	Knob Readout System	12-2	CR	155-0241-00	Horizontal System	12-2	NP
155-0026-00	Knob Readout System	12-2	CR	155-0244-00	General Circuit	12-2	NP
155-0027-00	Knob Readout System	12-2	CR	155-0247-00	TV & CRT Control Circuit	12-3	LR
155-0028-00	Horizontal System	12-2	CR	155-0252-00	General Circuit		DL
155-0028-01	Horizontal System	12-2	NP	155-0253-00	General Circuit	12-2	CR
155-0031-01	General Circuit	12-2	OB	155-0273-00	Vertical Amplifier	12-2	CR
155-0032-00	Vertical Amplifier		NP	155-0274-00	Vertical Amplifier	12-2	CR
155-0032-01	Vertical Amplifier		NP				
155-0033-00	Probe Circuit		OB				
155-0034-00	General Circuit		OB				
155-0035-00	Operational Amplifier	12-2	CR	200-1174-00	Microcircuit Cover Lid	12-4	CS
155-0038-01	AD/DA Circuit	12-2	LR	200-1608-00	Microcircuit Cover Lid	12-4	CR
155-0038-02	AD/DA Circuit	12-2	LS	200-1748-00	Microcircuit Cover Lid	12-4	CR
155-0047-00	General Circuit	12-2	LR	200-1748-01	Microcircuit Cover Lid	12-4	CR
155-0048-01	Horizontal System	12-2	LR	200-1953-00	Microcircuit Cover Lid	12-4	NP
155-0049-02	Horizontal System	12-2	CR				
155-0050-01	Vertical Amplifier	12-2	OT	200-2027-00	Microcircuit Cover Lid	12-4	CR
155-0051-00	TV & CRT Control Circuit	12-3	CS	200-2027-03	Microcircuit Cover Lid	12-4	EN
155-0055-00	Horizontal System	12-2	LR	200-2114-00	Microcircuit Cover Lid	12-4	CR
155-0056-00	Horizontal System	12-2	CR	200-2138-00	Microcircuit Cover Lid	12-4	CS
155-0057-00	Operational Amplifier	12-2	OB	200-2181-00	Microcircuit Cover Lid	12-4	CR
155-0059-00	Vertical Amplifier	12-2	CR	200-2181-01	Microcircuit Cover Lid	12-4	CR
155-0061-00	Vertical Amplifier	12-2	CR	200-2182-00	Microcircuit Cover Lid	12-4	CR
155-0067-02	General Circuit	12-2	CR	200-2183-00	Microcircuit Cover Lid	12-4	DL
155-0076-00	Probe Circuit	12-3	CR	200-2274-00	Microcircuit Cover Lid	12-4	CR
155-0078-01	Vertical Amplifier	12-2	NP	200-2608-00	Microcircuit Cover Lid	12-4	CR
155-0083-00	Operational Amplifier	12-2	CR				
155-0086-00	Knob Readout System	12-2	LR	200-2609-00	Microcircuit Cover Lid	12-4	CR
155-0087-00	Knob Readout System	12-2	LR	200-2655-00	Microcircuit Cover Lid	12-4	CR
155-0088-00	Knob Readout System	12-2	LR	200-2660-00	Microcircuit Cover Lid	12-4	CR
155-0091-00	General Circuit	12-2	OT	200-2719-00	Microcircuit Cover Lid	12-4	CR
155-0104-00	Knob Readout System	12-2	OB				
155-0105-00	Knob Readout System	12-2	OB				
155-0106-00	General Circuit	12-2	CR				
155-0109-01	Horizontal System	12-2	CR				
155-0110-00	Knob Readout System	12-2	LR				
155-0111-01	General Circuit	12-2	CR				
155-0112-01	General Circuit	12-2	CR				
155-0114-00	Readout System	12-2	LR				
155-0116-00	Operational Amplifier	12-2	CR				
155-0118-00	General Circuit		NP				
155-0119-00	Readout System	12-2	LS				
155-0121-00	Horizontal System	12-2	LS				
155-0122-00	Horizontal System	12-2	CR				
155-0123-00	Horizontal System	12-2	CR				
155-0124-00	Horizontal System	12-2	CR				
155-0126-00	Horizontal System	12-2	CR				
155-0135-00	Knob Readout System	12-2	CR				
155-0144-00	TV & CRT Control Circuit	12-3	CR				

^a For Status Codes, see tab marked CODES in the back of this catalog.



STATUS CODES FOR PARTS AND PRODUCTS

The status in this catalog was correct at the time it was published.

CM Custom Mod:	1. An instrument modified to meet customer specifications. 2. A component used exclusively in a custom modified instrument.
CR Current Production:	1. A finished product, which has "turned regular" and is currently being produced. 2. A component currently being purchased or produced for use on a current production finished product.
CS^a Customer Service:	A replacement item, not used in a current production instrument, supported by Customer Service and either stocked in Customer Service, built or supplied for them on demand.
DL^a Deleted:	An item that is no longer produced or purchased and which has no replacement.
EN^a Engineering:	An item used exclusively by Engineering which is not being used on a finished product (A part in the design or evaluation stage). The item may be picked up for use in a future product.
IN International:	An item purchased or produced by Guernsey or Heerenveen for use exclusively in their production.
LR Last Supply Current:	Last supply of current status material. No more parts will be purchased after these are gone.
LS Last Supply Customer Service:	Last supply of Customer Service material. No more parts will be purchased after these are gone.
MP Modified Pre-Prod:	An item set up due to a modification. Established through the use of a Engineering Change Order.
NP^a Non-Production:	An item which is no longer produced or purchased and which has a replacement.
OB^a Obsolete:	1. A component which has matured through the Long Term Product Support Program. The usage has been out of production for 12 years (sometimes less, if accelerated). The item may continue to be supported through Obsolete Parts Notice 126. 2. An instrument which is no longer produced and which has completed the instrument phase-out program.
OT^a Obsolescent:	A component used exclusively in an instrument which will go out of production within one year (as determined by the Corporate Phase-Out Committee).
PP Pre-Production:	1. A finished product prior to "turn regular". 2. A component used on an instrument not yet in current production, or a component going into a current product via an IRS (mod).
SC Sony/Tek Current Production:	An item purchased or produced by Sony/Tek for use exclusively in Sony/Tek production.
TC Telequipment Current Production:	An item purchased or produced by Telequipment for use exclusively in Telequipment production.

^a To use a part with this status on a new instrument, contact Item Data Group, 627-2615, 78-608 for the proper procedure and group contacts.

COST CODES

CODE	A	B	C	D	E	F	G	H	I	J	K	L	M	N	O
VALUE with +	.75¢	2¢	3.75¢	6¢	10¢	18¢	35¢	60¢	\$1	\$2	\$3.75	\$6	\$10	\$18	\$35+
VALUE no suffix	.5¢	1.5¢	3¢	5¢	8¢	15¢	25¢	50¢	75¢	\$1.50	\$3	\$5	\$8	\$15	\$25
VALUE with -	.2¢	1.25¢	2.5¢	4.25¢	7¢	13¢	22¢	40¢	65¢	\$1.25	\$2.50	\$4.25	\$7	\$13	\$22

NOTE: Costs may vary from order to order due to order quantities, vendor, etc.

ND CODES (New Design Recommendation Codes)

The following is a list of the ND Codes used in this Catalog and their definition per Component Engineering.

A Approved:	The parts listed as APPROVED are currently available in the industry and the long term support by the vendors looks good. Component Engineering has looked at the part and found no major problems.
N Not Recommended for New Design:	The parts listed as NOT RECOMMENDED FOR NEW DESIGN are parts which have some sort of problem. They may be built in an old technology or there may be a new better and more cost effective part available. The Component Engineer should be contacted about such parts if a real need arises. In some cases these parts may be the best or only choice for certain applications.
P Preferred	The parts listed as PREFERRED are recommended over the Approved parts.
X Do Not Use:	The parts listed as DO NOT USE are parts which have been found to have major problems. Some examples of these problems are availability, quality, technology, or may be parts which are in the last time buy status. Parts which are being discontinued will also fall into this category. Component Engineering have looked at these parts and found the problems or have been notified of the problems from outside sources.

User Feedback

The Common Design Parts Catalog group is trying to improve the cost effectiveness and usefulness of the catalog to the customer. In order to do this, the catalogs are continually being reviewed and changes made. If you have a recommendation to improve the catalogs and also make them more cost effective, please let us know. Also if you detect any errors, please notify us so that we may correct them at the next printing.

Your Name _____ Address _____ Phone _____

ERRORS, OMISSIONS, SUGGESTIONS:

Send To Parts Cataloging 92-325

User Feedback

The Common Design Parts Catalog group is trying to improve the cost effectiveness and usefulness of the catalog to the customer. In order to do this, the catalogs are continually being reviewed and changes made. If you have a recommendation to improve the catalogs and also make them more cost effective, please let us know. Also if you detect any errors, please notify us so that we may correct them at the next printing.

Your Name _____ Address _____ Phone _____

ERRORS, OMISSIONS, SUGGESTIONS:

Send To Parts Cataloging 92-325

CATALOG ORDER FORM

TO ORDER A CATALOG: Fill in the spaces below. To ensure a prompt delivery, return this form to 92-325.

Only one name per letter, please.

SEND TO: _____

PAYROLL CODE: _____

RESPONSIBILITY - COST CENTER

PHONE NUMBER

DELIVERY STATION

LISTED BELOW ARE THE NAMES AND MOST RECENT DATES OF OUR EIGHT CATALOGS. IF YOU NEED ONE OF THESE CATALOGS, PLEASE INDICATE WHICH CATALOG WITH A CHECKMARK.

_____ Integrated Circuits (Jan-87)
(3-hole-punched/Shrink-wrapped)

_____ Resistor/Capacitor (Jul-85)
(3-hole-punched/Shrink-wrapped)

_____ Mechanical (Oct-86)
(3-hole-punched/Shrink-wrapped)

_____ Wire, Insulation & Power
Supplies (May-86)
(3-hole-punched/Shrink-wrapped)

_____ Materials (May-84)
(3-hole-punched/Shrink-wrapped)

_____ Electro-Mechanical (Mar-85)
(3-hole-punched/Shrink-wrapped)

_____ Supplemental Catalog (Oct-84)
(3-hole-punched/Shrink-wrapped)

_____ Transistors, Diodes & Misc. (Mar-86)
(3-hole-punched/Shrink-wrapped)

If you have any questions, call Carole on 629-3029.

FOLD FROM TOP DOWN TO THIS LINE AND RETURN

TO: 92-325

Please DO NOT use tape or staples or inter-office envelopes. THANK YOU!

CATALOG ORDER FORM

TO ORDER A CATALOG: Fill in the spaces below. To ensure a prompt delivery, return this form to 92-325.

Only one name per letter, please.

SEND TO: _____

PAYROLL CODE: _____

RESPONSIBILITY - COST CENTER

PHONE NUMBER

DELIVERY STATION

LISTED BELOW ARE THE NAMES AND MOST RECENT DATES OF OUR EIGHT CATALOGS. IF YOU NEED ONE OF THESE CATALOGS, PLEASE INDICATE WHICH CATALOG WITH A CHECKMARK.

_____ Integrated Circuits (Jan-87)
(3-hole-punched/Shrink-wrapped)

_____ Resistor/Capacitor (Jul-85)
(3-hole-punched/Shrink-wrapped)

_____ Mechanical (Oct-86)
(3-hole-punched/Shrink-wrapped)

_____ Wire, Insulation & Power
Supplies (May-86)
(3-hole-punched/Shrink-wrapped)

_____ Materials (May-84)
(3-hole-punched/Shrink-wrapped)

_____ Electro-Mechanical (Mar-85)
(3-hole-punched/Shrink-wrapped)

_____ Supplemental Catalog (Oct-84)
(3-hole-punched/Shrink-wrapped)

_____ Transistors, Diodes & Misc. (Mar-86)
(3-hole-punched/Shrink-wrapped)

If you have any questions, call Carole on 629-3029.

FOLD FROM TOP DOWN TO THIS LINE AND RETURN

TO: 92-325

Please DO NOT use tape or staples or inter-office envelopes. THANK YOU!

